

SETUP & OPERATION MANUAL

FEATURES

- Combination riving style splitter and see-through blade guard with anti-kickback pawls, and a second European style riving knife also included.
- Large precision-ground 44" x 27" cast-iron table with two extension wings.
- 4" dust port allows easy connection to a dust collection system.
- Magnetic safety switch with emergency stop button for additional security
- Ruggedly built saw carriage with solid cast-iron cabinet mounted trunnions.
- Large motor access door for quick cleaning and easier maintenance.
- Convenient arbor lock for fast one tool blade changes.
- Equipped with a sturdy, easy to adjust, T-fence design rip fence system.
- Powerful 3 HP motor with multi-groove V-belt drive for longer belt life and more efficient transfer of power.

SPECIFICATIONS

BLADE DIAMETER
10" (254 MM)

ARBOR DIAMETER
5/8" (16 MM)

ARBOR TILT RANGE
0° A 45° (TO LEFT)

MAXIMUM DEPTH OF CUT AT 90°
3" (77 mm)

MAXIMUM DEPTH OF CUT AT 45°
2 1/4" (54 MM)

MAX. RIP TO RIGHT OF BLADE
30" (762 MM)

MAX. RIP TO LEFT OF BLADE
12" (305 MM)

DADO CAPACITY
13/16" (21 MM)

DUST PORT DIAMETER
4" (102 MM)

ARBOR SPEED
4000 RPM

TABLE HEIGHT
36 3/4" (933 MM)

TABLE SIZE (W/EXTENSION WINGS)
44" X 27" (1118 X 686 MM)

TABLE SIZE (W/O EXTENSION WINGS)
20" X 27" (508 X 686 MM)

BASE DIMENSIONS (L X W)
23" X 22 1/2" (584 X 572 MM)

MOTOR (PRE-WIRED 230V)
3 HP, 230V 13 A

WEIGHT
371 LBS (168 KG)

10" - 3 HP CABINET SAW LEFT TILT WITH RIVING KNIFE



MODEL #50-275R





GENERAL® INTERNATIONAL

8360 Champ-d'Eau, Montreal (Quebec) Canada H1P 1Y3
Telephone (514) 326-1161 • Fax (514) 326-5555 • www.general.ca

THANK YOU for choosing this General® International model 50-275R 10" Left tilt 3 HP Cabinet Saw. This saw has been carefully tested and inspected before shipment and if properly used and maintained, will provide you with years of reliable service. For your safety, as well as to ensure optimum performance and trouble-free operation, and to get the most from your investment, please take the time to read this manual before assembling, installing and operating the unit.

The manual's purpose is to familiarize you with the safe operation, basic function, and features of this saw as well as the set-up, maintenance and identification of its parts and components. This manual is not intended as a substitute for formal woodworking instruction, nor to offer the user instruction in the craft of woodworking. If you are not sure about the safety of performing a certain operation or procedure, do not proceed until you can confirm, from knowledgeable and qualified sources, that it is safe to do so.

Once you've read through these instructions, keep this manual handy for future reference.

Disclaimer: The information and specifications in this manual pertain to the unit as it was supplied from the factory at the time of printing. Because we are committed to making constant improvements, General® International reserves the right to make changes to components, parts or features of this unit as deemed necessary, without prior notice and without obligation to install any such changes on previously delivered units. Reasonable care is taken at the factory to ensure that the specifications and information in this manual corres-

ponds with that of the unit with which it was supplied. However, special orders and "after factory" modifications may render some or all information in this manual inapplicable to your machine. Further, as several generations of this model of saw and several versions of this manual may be in circulation, if you own an earlier or later version of this unit, this manual may not depict your machine exactly. If you have any doubts or questions contact your retailer or our support line with the model and serial number of your unit for clarification.

GENERAL® MFG & GENERAL® INTERNATIONAL WARRANTY

All component parts of General® MFG, General® International and Excalibur by General International® products are carefully inspected during all stages of production and each unit is thoroughly inspected upon completion of assembly.

Limited Lifetime Warranty

Because of our commitment to quality and customer satisfaction, General® MFG and General® International agree to repair or replace any part or component which upon examination, proves to be defective in either workmanship or material to the original purchaser for the life of the tool. *However, the Limited Lifetime Warranty does not cover any product used for professional or commercial production purposes nor for industrial or educational applications. Such cases are covered by our Standard 2-year Limited Warranty only. The Limited Lifetime Warranty is also subject to the "Conditions and Exceptions" as listed below.*

Standard 2-Year Limited Warranty

All products not covered by our lifetime warranty including products used in commercial, industrial and educational applications are warranted for a period of 2 years (24 months) from the date of purchase. General® MFG and General® International agree to repair or replace any part or component which upon examination, proves to be defective in either workmanship or material to the original purchaser during this 2-year warranty period, subject to the "conditions and exceptions" as listed below.

To file a Claim

To file a claim under our Standard 2-year Limited Warranty or under our Limited Lifetime Warranty, all defective parts, components or machinery must be returned freight or postage prepaid to General® International, or to a nearby distributor, repair center or other location designated by General® International. For further details call our service department at 1-888-949-1161 or your local distributor for assistance when filing your claim.

Along with the return of the product being claimed for warranty, a copy of the original proof of purchase and a "letter of claim" must be included (a warranty claim form can also be used and can be obtained, upon request, from General® International or an authorized distributor) clearly stating the model and serial number of the unit (if applicable) and including an explanation of the complaint or presumed defect in material or workmanship.

CONDITIONS AND EXCEPTIONS:

This coverage is extended to the original purchaser only. Prior warranty registration is not required but documented proof of purchase i.e. a copy of original sales invoice or receipt showing the date and location of the purchase as well as the purchase price paid, must be provided at the time of claim.

Warranty does not include failures, breakage or defects deemed after inspection by General® MFG or General® International to have been directly or indirectly caused by or resulting from; improper use, or lack of or improper maintenance, misuse or abuse, negligence, accidents, damage in handling or transport, or normal wear and tear of any generally considered consumable parts or components.

Repairs made without the written consent of General® International will void all warranty.

TABLE OF CONTENTS

Rules for safe operation	5	Operating instructions	16-17
Electrical requirements.....	6	Types of cuts	16-17
Grounding instructions	6	Ripping	16
Circuit capacity.....	6	Bevel ripping.....	17
Extension cords.....	6	Ripping small work pieces.....	17
Identification of main parts and components..	7	Cross cutting	17
Basic Functions	8	Bevel cross cutting	17
Unpacking	8	Adjusting and using the miter gauge	17
List of contents	8	Adding an auxiliary fence to the miter gauge ...	18
Additional requirements for set up	8	Miter cuts	18
Placement within the zone /		Compound miter cuts	18
Establishing a safety zone	9	Using a dado head blade	18
Placement within the shop	9		
Establishing a safety zone.....	9		
Clean up	9		
Assembly Instructions	10-13	Maintenance & adjustments	19-20
Install the table extension wings.....	10	Periodic maintenance	19
Install the handwheels	10	Lubrication	19
Mount the rip fence storage brackets	10	Adjusting the 45 ° & 90 ° bevel stops	19
Mount the miter gauge & wrench	10	Adjusting the bevel angle pointer.....	20
Mount the switch	10	Recommended optional accessories	21
Install and adjust rails and fence	11	Parts list and diagrams	22-27
Attach the front fence rail to your saw.....	11	Contact information	28
Attach the rear fence rail to your saw	12		
Install / Remove a saw blade	12		
Install a saw blade.....	12		
To remove a saw blade	13		
Install and adjust riving knife.....	13		
Select a riving knife	13		
Removal / Installation	13		
Level the table insert	14		
Connecting to a dust collector	14		
Basic adjustments and controls....	14-15		
Connecting to a power source.....	14		
On/off magnetic power switch	15		
Blade height & tilt adjustment	15		
Blade height adjustment	15		
Blade tilt (bevel) adjustment	15		

RULES FOR SAFE OPERATION

To help ensure safe operation, please take a moment to learn the machine's applications and limitations, as well as potential hazards. General® International disclaims any real or implied warranty and holds itself harmless for any injury that may result from improper use of its equipment.

1. Do not operate the saw when tired, distracted, or under the effects of drugs, alcohol or any medication that impairs reflexes or alertness.
2. The working area should be well lit, clean and free of debris.
3. Keep children and visitors at a safe distance when the saw is in operation; do not permit them to operate the saw.
4. Childproof and tamper proof your shop and all machinery with locks, master electrical switches and switch keys, to prevent unauthorized or unsupervised use.
5. **Stay alert!** Give your work your undivided attention. Even a momentary distraction can lead to serious injury.
6. Fine particulate dust is a carcinogen that can be hazardous to health. Work in a well-ventilated area and whenever possible use a dust collector and wear eye, ear and respiratory protection devices.
7. Do not wear loose clothing, gloves, bracelets, necklaces or other jewelry while the saw is in operation. Wear protective hair covering to contain long hair and wear non-slip footwear.
8. Be sure that adjusting wrenches, tools, drinks and other clutter are removed from the machine and/or the table surface before operating.
9. Keep hands well away from the blade and all moving parts. Use a brush, not hands, to clear away chips and dust.
10. Be sure that the blade is securely installed and in proper cutting direction before operation.
11. Be sure the blade has gained full operating speed before beginning to cut.
12. Always use a clean, properly sharpened blade. Dirty or dull blades are unsafe and can lead to accidents.
13. If using a power feeder, stop the feeder before stopping the cabinet saw.
14. Do not push or force stock into the blade. The saw will perform better and more safely when working at the rate for which it was designed.
15. Use suitable support when cutting stock that does not have a flat surface. Always hold stock firmly against the fence when ripping, or against the miter gauge when cross-cutting.
16. To minimize risk of injury in the event of workpiece kickback, never stand directly in-line with the blade or in the potential kickback path of the work piece.
17. Avoid working from awkward or off balance positions. Do not overreach while cutting; keep both feet on floor. Never lean over or reach over the blade and never pull the work piece over the blade from behind. Use out feed support or have an assistant help when ripping long material.
18. Keep blade guards in place and in working order. If a guard must be removed for maintenance or cleaning, be sure it is properly reattached before using the tool again.
19. Never leave the machine running with the power on when not in operation.
20. Use of parts and accessories NOT recommended by GENERAL® INTERNATIONAL may result in equipment malfunction or risk of injury.
21. Never stand on machinery. Serious injury could result if the tool is tipped over or if the blade is unintentionally contacted.
22. Always disconnect tool from power before servicing or changing accessories such as blades, or before performing any maintenance, cleaning or adjustments, or if the machine will be left unattended.
23. Make sure that switch is in "OFF" position before plugging in the power cord.
24. Make sure the tool is properly grounded. If equipped with a 3-prong plug it should be used with a three-pole receptacle. Never remove the third prong.
25. Do not use this saw for other than its intended use. If used for other purposes, GENERAL® INTERNATIONAL disclaims any real implied warranty and holds itself harmless for any injury, which may result from that use.

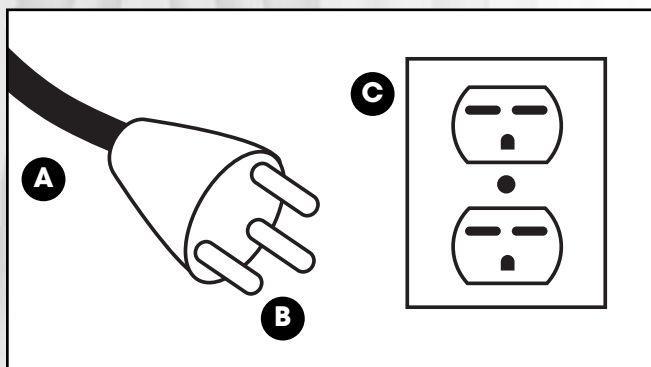


ELECTRICAL REQUIREMENTS



BEFORE CONNECTING THE MACHINE TO THE POWER SOURCE, VERIFY THAT THE VOLTAGE OF YOUR POWER SUPPLY CORRESPONDS WITH THE VOLTAGE SPECIFIED ON THE MOTOR I.D. NAMEPLATE. A POWER SOURCE WITH GREATER VOLTAGE THAN NEEDED CAN RESULT IN SERIOUS INJURY TO THE USER AS WELL AS DAMAGE TO THE MACHINE. IF IN DOUBT, CONTACT A QUALIFIED ELECTRICIAN BEFORE CONNECTING TO THE POWER SOURCE.

THIS TOOL IS FOR INDOOR USE ONLY. DO NOT EXPOSE TO RAIN OR USE IN WET OR DAMP LOCATIONS.



GROUNDING INSTRUCTIONS

In the event of an electrical malfunction or short circuit, grounding reduces the risk of electric shock to the operator. The motor of this machine is wired for 230V single phase operation and is equipped with a 3-conductor cord **A** and a 3-prong grounded plug **B** to fit a matching grounding type receptacle **C**.

DO NOT MODIFY THE PLUG PROVIDED ! If it will not fit your receptacle, have the proper receptacle installed by a qualified electrician.

CHECK with a qualified electrician or service person if you do not completely understand these grounding instructions, or if you are not sure the tool is properly grounded.

CIRCUIT CAPACITY

Make sure that the wires in your circuit are capable of handling the amperage draw from your machine, as well as any other machines that could be operating on the same circuit. If you are unsure, consult a qualified electrician. If the circuit breaker trips or the fuse blows regularly, your machine may be operating on a circuit that is close to its amperage draw capacity. However, if an unusual amperage draw does not exist and a power failure still occurs, contact a qualified technician or our service department.

EXTENSION CORDS

If you find it necessary to use an extension cord with your machine, use only 3-wire extension cords that have 3-prong grounding plug and a matching 3-pole receptacle that accepts the tool's plug. Repair or replace a damaged extension cord or plug immediately.

Make sure the cord rating is suitable for the amperage listed on the motor I.D. plate. An undersized cord will cause a drop in line voltage resulting in loss of power and overheating. The accompanying chart shows the correct size extension cord to be used based on cord length and motor I.D. plate amp rating. If in doubt, use the next heavier gauge. The smaller the number, the heavier the gauge.

TABLE - MINIMUM GAUGE FOR CORD

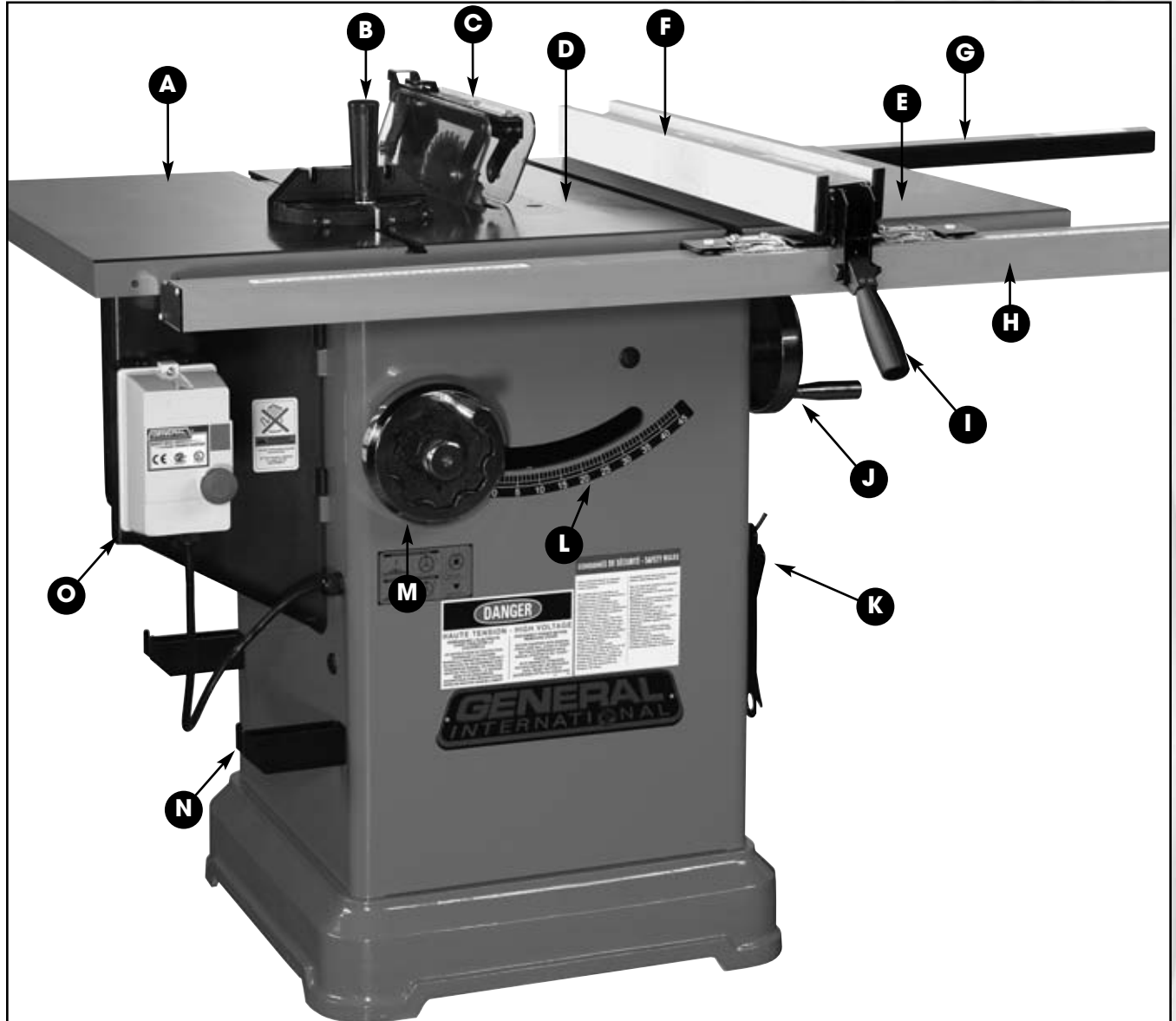
AMPERE RATING	TOTAL LENGTH OF CORD IN FEET				
	115 VOLTS	25 FEET	50 FEET	100 FEET	150 FEET
	230 VOLTS	50 FEET	100 FEET	200 FEET	300 FEET
	AWG				
< 5	----->	18	16	16	14
6 TO 10	----->	18	16	14	12
10 TO 12	----->	16	16	14	12
12 TO 16	----->	14	12	* NR	* NR

* NR = Not Recommended



10" 3 HP CABINET SAW - left tilt with riving knife 50-275R

IDENTIFICATION OF MAIN PARTS AND COMPONENTS



A- LEFT TABLE EXTENSION

B- MITER GAUGE

C- SPLITTER AND BLADE GUARD ASSEMBLY

D- MAIN TABLE

E- RIGHT TABLE EXTENSION

F- RIP FENCE

G- REAR RAIL

H- FRONT RAIL

I- RIP FENCE LOCKING HANDLE

J- BLADE TILT ADJUSTMENT HANDWHEEL

K- ARBOR WRENCH STORAGE BRACKET

L- BEVEL SCALE

M- BLADE HEIGHT ADJUSTMENT HANDWHEEL

N- FENCE STORAGE BRACKET

O- MAGNETIC SAFETY SWITCH

BASIC FUNCTIONS

This saw has been designed for cutting solid wood as well as manufactured wood materials such as plywood, wood panelling, particleboard, mdf and other wood based by-products. This saw is not designed for cutting metals nor for cutting any materials other than wood or wood based stock.

This saw is designed for use with maximum 10" (250mm) diameter blades having a center hole diameter of 5/8". The blade can be raised to cut a maximum stock thickness of 3" with the blade set 90 degrees to the table. The blade can be tilted up to 45 degrees to the left for bevel cuts to a maximum stock thickness of 2 1/4". Using any standard aftermarket 8" diameter stacked dado blade set (not included), the maximum dado cutting capacity of this saw is 13/16" (21 mm).

Note: for safer dado cutting, an optional dado table insert (part number #50-202) can be purchased through your General International distributor.

The 50-275R is supplied with both a riving style splitter/blade guard assembly and a European style riving knife that are both designed to raise or lower and tilt with the blade, and maintain a consistent distance to the blade at all times, regardless of the height or angle of the blade. This can help reduce (but not totally eliminate) the risk of a kickback incident, where the workpiece is thrown back at the operator, by helping to prevent the workpiece from getting stuck between the blade and the riving style splitter or riving knife (as compared to a traditional stationary splitter) or from closing up on the back of the blade as it passes through the cut.

UNPACKING

Carefully unpack and remove the saw and its components from the box and check for damaged or missing items as per the list of contents below.

NOTE: Please report any damaged or missing items to your General® International distributor immediately.

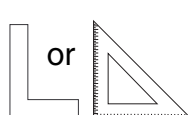
LIST OF CONTENTS

	QTY
A - SAW	1
B - HANDWHEEL WITH LOCK KNOB	2
C - TABLE EXTENSION	2
D - 17 MM HEX HEAD BOLT W/WASHER.....	6
E - EUROPEAN STYLE RIVING KNIFE	1
F - COMBINATION RIVING STYLE SPLITTER & BLADE GUARD.....	1
G - MITER GAUGE	1
H - PHILLIPS HEAD SCREW	8
I - 14-17 MM OPEN END WRENCH.....	1
J - 10-12 MM OPEN END WRENCH.....	1
K - ARBOR WRENCH.....	1
L - MITER GAUGE/RIP FENCE STORAGE BRACKET	3
M - ARBOR WRENCH STORAGE BRACKET.....	1
N - ALLEN KEY (6-4-3 MM, 1 EACH).....	3
O - SCREW, NUT AND WASHER FOR SWITCH PLATE	2
P - PLATE WITH MAGNETIC SAFETY SWITCH	1
Q - FRONT RAIL *	1
R - REAR RAIL (TWO PARTS)*	1
S - FENCE *	1
T - FENCE AND RAIL HARDWARE BAG *	1

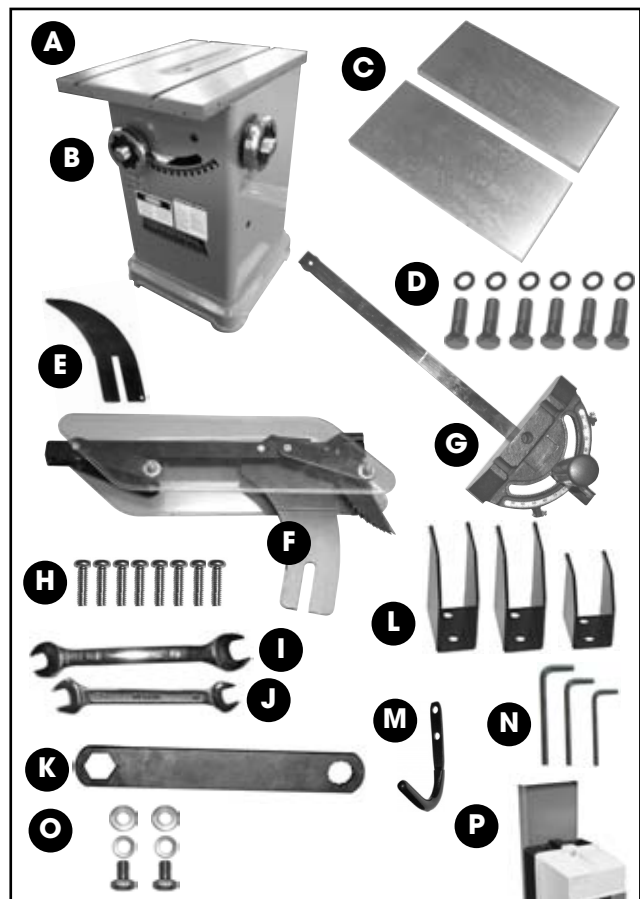
NOTE: EXF-30S rip fence and EXR-50 guide rails are packaged separately.

ADDITIONAL REQUIREMENTS FOR SET UP

- Extra person for help with lifting
- Phillips Screwdriver
- Straightedge
- Machinist square or triangle square



OR



FENCE & RAILS (packaged separately)



PLACEMENT WITHIN THE SHOP / ESTABLISHING A SAFETY ZONE



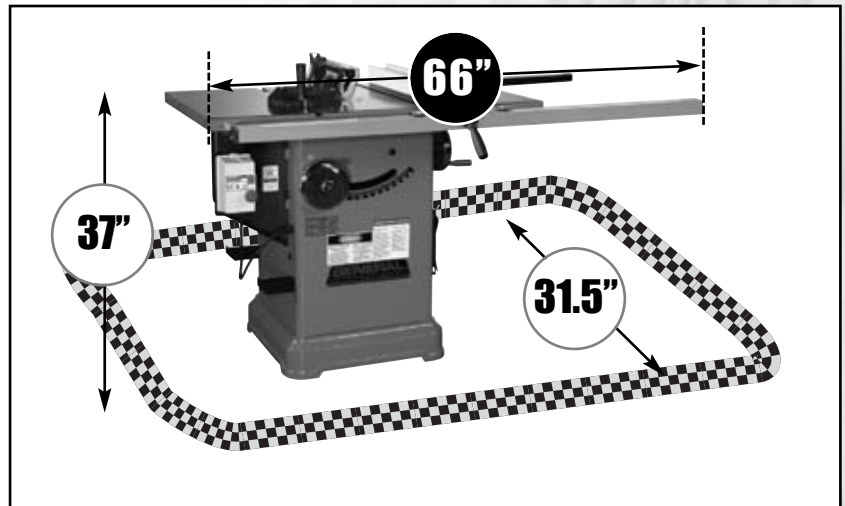
THIS MODEL 50-275R 10" 3 HP CABINET SAW IS HEAVY. DO NOT OVER-EXERT. A HOIST OR FORKLIFT WITH STRAPS SHOULD BE USED TO LIFT THIS MACHINE.

TO LIMIT THE RISK OF SERIOUS INJURY OR DAMAGE TO THE MACHINE, ANY EQUIPMENT USED TO LIFT THIS MACHINE SHOULD HAVE A RATED CAPACITY IN EXCESS OF 371 LBS (168 KG).

PLACEMENT WITHIN THE SHOP

This machine should be installed and operated only on a solid, flat and stable floor that is able to support the weight of the saw (371 Lbs - 168 kg) and the operator.

Using the dimensions shown as a guideline, plan for placement within your shop that will allow the operator to work unencumbered and unobstructed by foot traffic (either passing shop visitors or other shop workers) or other tools or machinery.



ESTABLISHING A SAFETY ZONE

For shops with frequent visitors or multiple operators, it is advisable to establish a safety zone around shop machinery. A clearly defined “no-go” zone on the floor around each machine can help avoid accidents that could cause injury to either the operator or the shop visitor. It is advisable to take a few moments to either paint (using non-slip paint) or using tape, define on the floor the limits or perimeter of each machine's safety zone. Take steps to ensure that all operators and shop visitors are aware that these areas are off limits whenever a machine is running for everyone but the individual operating the unit.

CLEAN UP

The protective coating on the saw table prevents rust from forming during shipping and storage. Remove it by rubbing with a rag dipped in kerosene, mineral spirits or paint thinner. (Dispose of potentially flammable solvent-soaked rags according to manufacturer's safety recommendations.)

A putty knife, held flat to avoid scratching the surface, may also be used to scrape off the coating followed by clean-up with solvent. Avoid rubbing the saw's painted surfaces, as many solvent-based products will remove paint.

To prevent rust, apply a light coating of paste wax or use regular applications of any after-market surface protectant or rust inhibitor.



Tip: With a screw driver, push a solvent-saturated rag into the T-slots to remove the grease.

ASSEMBLY INSTRUCTIONS

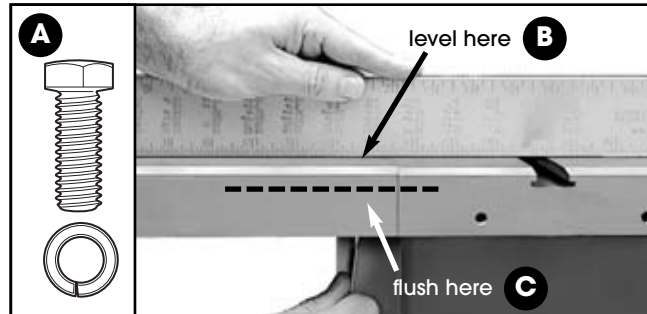


SERIOUS PERSONAL INJURY COULD OCCUR IF YOU CONNECT THE MACHINE TO THE POWER SOURCE BEFORE YOU HAVE COMPLETED THE INSTALLATION AND ASSEMBLY STEPS. DO NOT CONNECT THE MACHINE TO THE POWER SOURCE UNTIL INSTRUCTED TO DO SO.

INSTALL THE TABLE EXTENSION WINGS

Attach the table extension wings to the main table using 6 hex head bolts (3 per wing) and 6 lock washers **A**. Align the table extensions with the table and loosely attach the bolts. Place a straightedge on the table and extension as shown to align the extension table **B** and then tighten down the bolts.

Note: Be sure that the table extension wings are flush with front edge of table **C**.



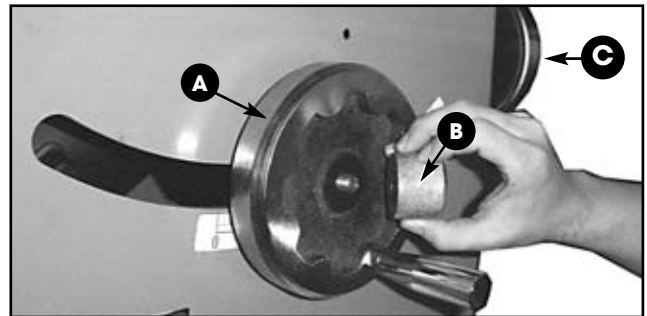
INSTALL THE HANDWHEELS

1. Install one handwheel onto the shaft at the front of the saw as shown in **A**.

Note: The slots in the handwheel must be aligned with the spring pin on the shaft.

2. Thread a lock knob **B** into the handwheel shaft to secure the handwheel in place.

3. Repeat with the second handwheel, on the shaft located on the right side of the saw cabinet, **C**.

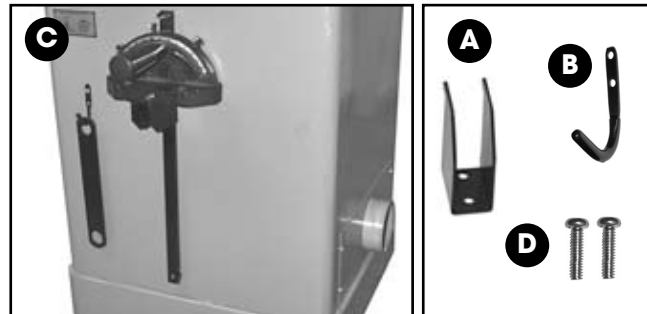


MOUNT THE RIP FENCE STORAGE BRACKETS



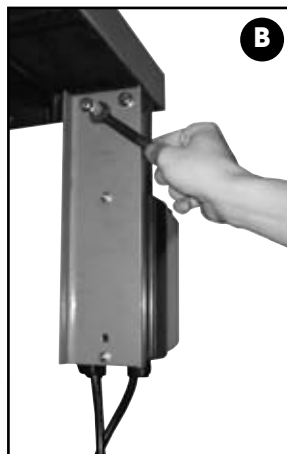
Install the fence storage brackets **A** (the two larger ones) on the left side of the saw as shown in **B**, using 4 Phillips head screws **C**.

MOUNT THE MITER GAUGE & ARBOR WRENCH STORAGE BRACKETS



Install the miter gauge storage bracket **A** (the smaller one) and arbor wrench storage bracket **B** on the right side of the saw as shown in **C**, using 2 Phillips head screws **D** per bracket.

MOUNT THE SWITCH

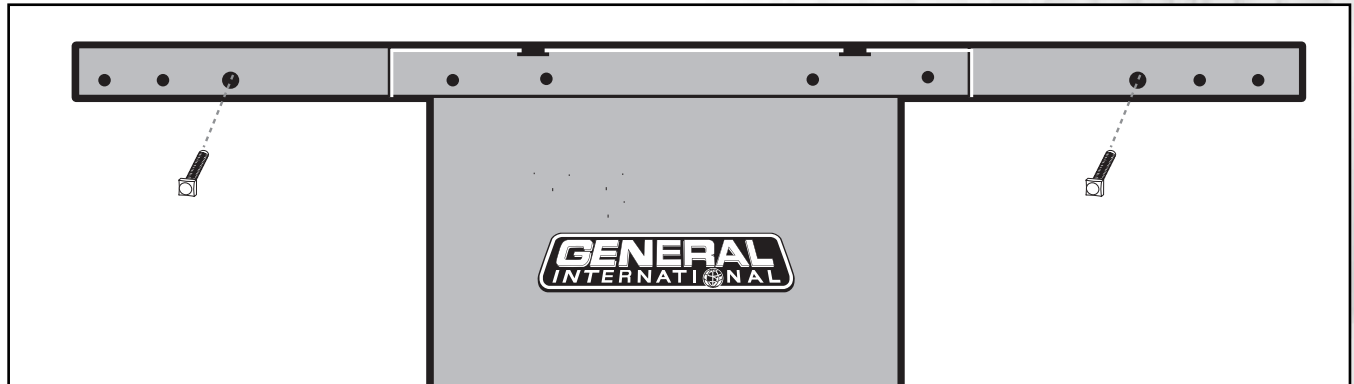


Make sure the magnetic safety switch is well fixed to the switch plate **A** and then fix the switch plate to the left extension wing of the table **B** with a 12 mm wrench.

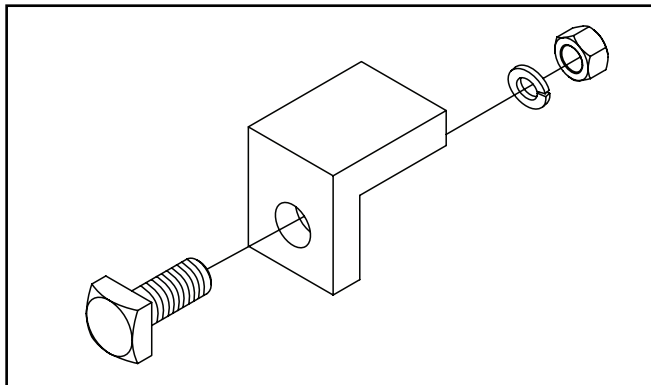
INSTALL THE FENCE RAILS

If purchased with the Excalibur Fence System, a full installation and operating instructions manual for the fence system is supplied in the box with the "EXF-30S" fence.

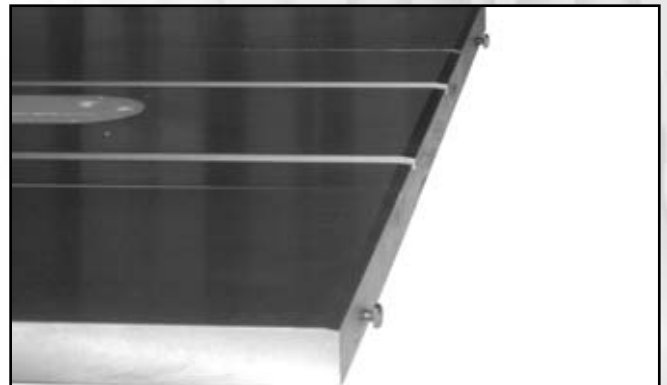
ATTACH THE FRONT FENCE RAIL TO YOUR SAW



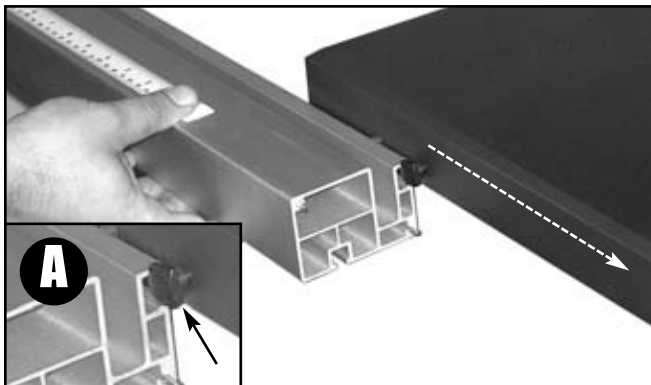
1. Loosely thread the 2 square head bolts to the front of the table.



2. Assemble the fasteners in the order shown above.



3. Do not tighten down the nuts. Leave the square heads of the bolt protruding from the table.

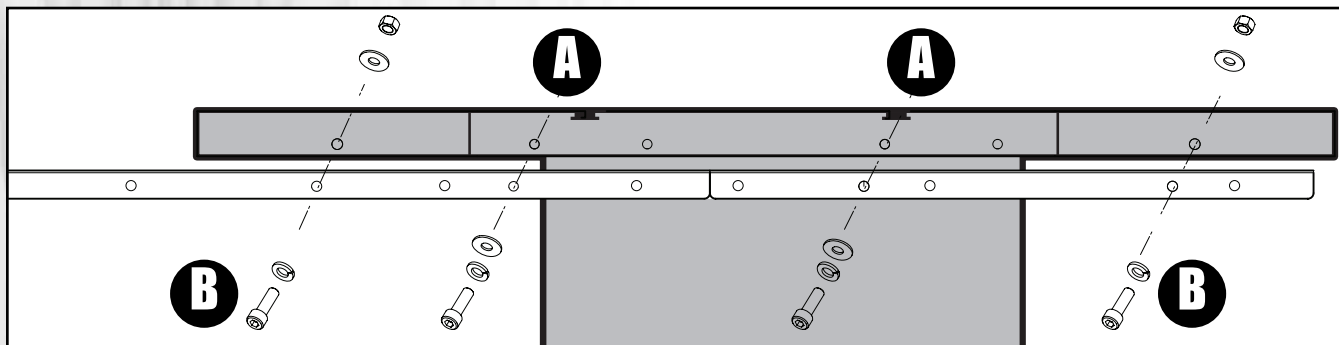


4. From the right side of the saw. Slide the upper slot (A) of the front rail onto the square head bolts.

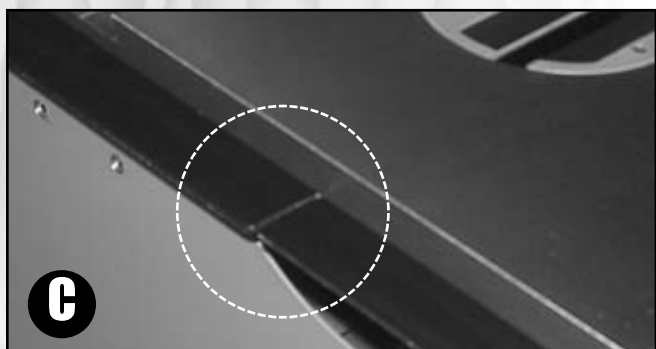


5. Set the left end of the rail flush to the outside edge of the extension wing.

ATTACH THE REAR FENCE RAIL TO YOUR SAW



1. Use two cap screws with lock washers and flat washers to attach the rear rails to the table **A**. Use two cap screws with lock washers, flat washers and nuts to attach the rails to the extension wings **B**.



2. Make sure that the intersection **C** between the two rear rails is leveled **D**.

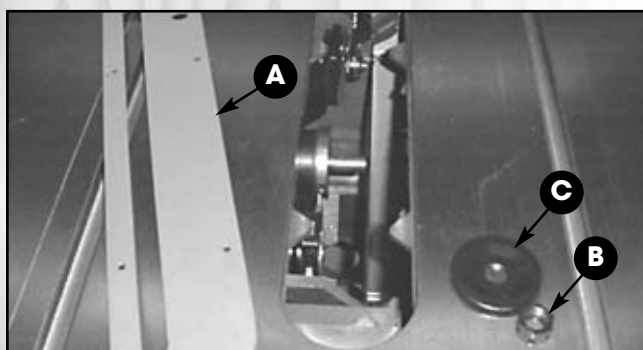
INSTALL / REMOVE A SAW BLADE

Note: This saw is intended for use with 10" (250mm) diameter or less saw blades having a center hole diameter of 5/8". There are many types of blades available to perform specific cutting jobs, such as crosscuts or ripping only, or for use with plywood, panelling and other products. A good quality specialty blade can produce a finer finish, be more efficient and place less strain on the saw. Use only saw blades designed for use at a maximum operating speed of 5000 RPM or less. Saw blades should be kept clean and sharp. Never store saw blades by stacking them directly in contact with each other. Place a layer of cardboard or similar material between the blades to keep them from coming into contact with each other.

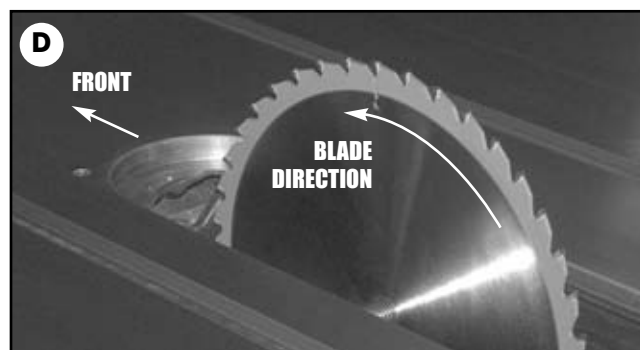


BE SURE THE SAW IS UNPLUGGED AND COMPLETELY DISCONNECTED FROM THE POWER SOURCE WHENEVER INSTALLING OR REMOVING A SAW BLADE!

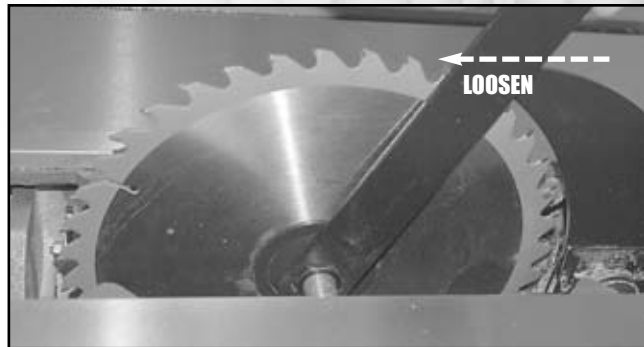
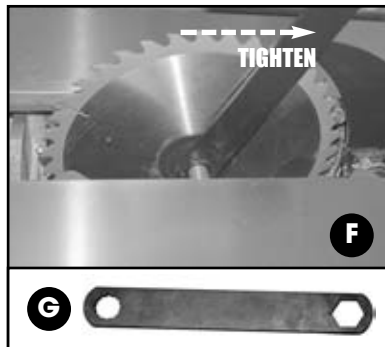
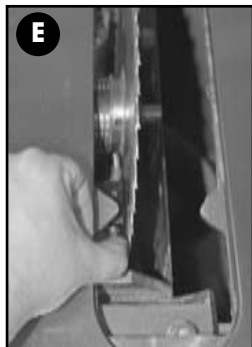
INSTALL A SAW BLADE



1. Remove the table insert plate **A**. Then, remove the arbor nut **B** & flange **C**.



2. Install a saw blade on the arbor so that the openings between the teeth face the front of the saw **D** (the blade spins in the counter-clockwise direction).



3. With the blade raised to maximum height, re-install the flange and arbor nut, then press on the arbor lock button **E** so the blade & arbor won't turn as you tighten the arbor nut clockwise (toward the rear of the saw) **F** with the supplied arbor wrench **G**.

To remove a saw blade

Perform the same procedure turning the arbor nut in the opposite direction.



BEFORE TURNING ON THE SAW, MAKE SURE THE ARBOR LOCK IS DISENGAGED (POPS UP) BY TURNING THE BLADE A FRACTION TO UNLOCK. TURN THE BLADE BY HAND ONE FULL ROTATION TO MAKE SURE THE ARBOR/BLADE TURNS FREELY.

Note: When tightening the arbor nut, take care not to over tighten as this will make it very difficult to remove later. Because the rotation of the blade runs counter to the direction of the threads on the nut, the blade is essentially tightening itself to the nut whenever the saw is running. Though there are no hard and fast rules for how much torque is required, the arbor nut should be always tightened hand-tight and just slightly beyond "snug".

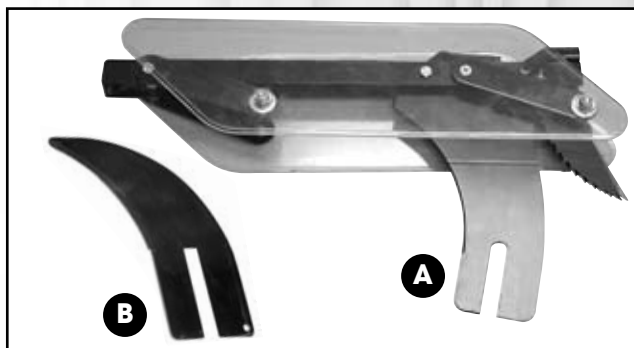
INSTALL AND ADJUST RIVING KNIFE

SELECT A RIVING KNIFE

Two riving knives are provided:

- A combination riving style splitter and blade guard with anti-kickback pawls **A**;
- A European style riving knife without blade guard **B**.

The riving knife must always be used with a blade guard. If you already own an independently attached blade-guard such as our Excalibur 50-EXBC10, use the riving knife **B**. If you do not already own a blade guard, use the splitter/blade guard assembly **A**.



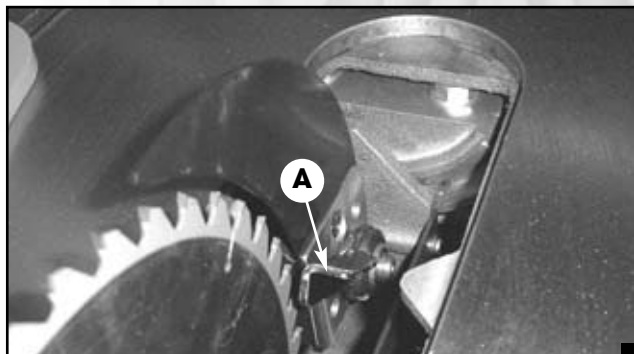
THE BLADE MUST NEVER REMAIN EXPOSED WHEN USING THE SAW. TO PREVENT THE RISK OF SERIOUS INJURIES, ALWAYS COVER THE BLADE WITH A BLADE GUARD.

REMOVAL / INSTALLATION



ALWAYS TURN OFF AND UNPLUG THE SAW BEFORE REMOVING / INSTALLING A RIVING KNIFE.

1. Set the blade to 90° and raise it to its highest position. (Refer to "Blade height and tilt adjustment" instructions on page 17 if needed).
2. Remove the table insert.
3. If already installed, remove the splitter or riving knife by loosening the locking lever **A** and pulling the splitter or riving knife up out of its mounting bracket.
4. **To install:** Fit the bottom end of the splitter or riving knife into the slot in the mounting bracket and push downward until it bottoms out, then tighten the locking lever **A** to lock it in place.
5. Re-install the table insert.

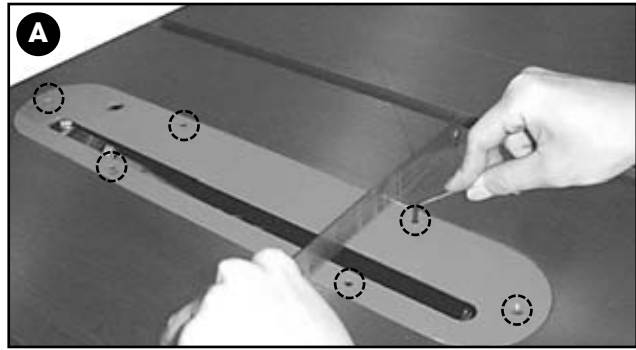


LEVEL THE TABLE INSERT

Place the insert into the table and use a straightedge to determine whether the insert is level with the table top **A**. Turn each of the 6 adjusting screws **A** with the supplied Allen key until done.

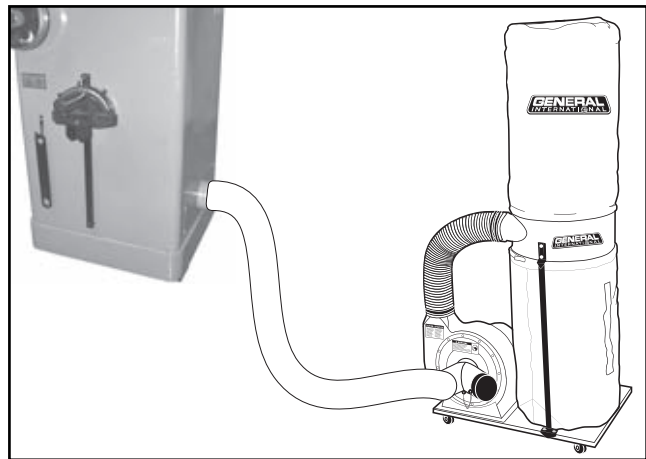
Suggestion: Start by adjusting one rear screw and its diagonal opposite in front, then tweak the remaining screws.

Note: If the sawblade has already been installed, use the raising handwheel to lower the blade below the table surface before leveling the insert.



CONNECTING TO A DUST COLLECTOR

- There is a 4" dust outlet located on the lower left of the saw cabinet allowing for the connection to a dust collection system (not included).
- Be sure to use appropriate size hose and fittings (not included) and check that all connections are sealed tightly to minimize airborne dust.
- If you do not already own a dust collection system consider contacting your General® International distributor for information on our complete line of dust collection systems and accessories or visit our website at www.general.ca



ALWAYS TURN ON THE DUST COLLECTOR BEFORE STARTING THE SAW AND ALWAYS STOP THE SAW BEFORE TURNING OFF THE DUST COLLECTOR.

BASIC ADJUSTMENTS & CONTROLS

CONNECTING TO A POWER SOURCE



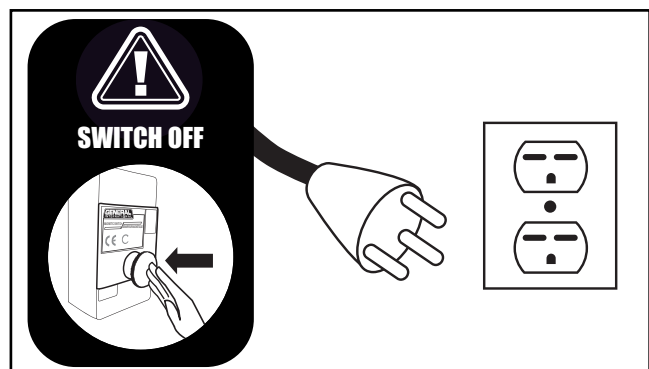
TO AVOID RISK OF SHOCK OR FIRE DO NOT OPERATE THE UNIT WITH A DAMAGED POWER CORD OR PLUG. REPLACE DAMAGED CORD OR PLUG IMMEDIATELY.

TO AVOID UNEXPECTED OR UNINTENTIONAL START-UP, MAKE SURE THAT THE POWER SWITCH ON THE SAW IS IN THE OFF POSITION BEFORE CONNECTING TO A POWER SOURCE.

Once the assembly steps have been completed, uncoil the power cord and plug it into an appropriate outlet.

Refer back to the section entitled "ELECTRICAL REQUIREMENTS" and make sure all requirements and grounding instructions are followed.

When cutting operations have been completed unplug the saw from the power source.

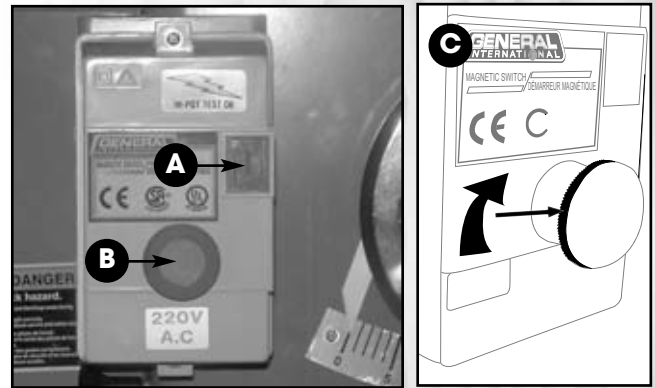


ON/OFF MAGNETIC POWER SWITCH

This saw is equipped with a MAGNETIC SAFETY SWITCH located on the control box, designed to protect the unit and the user from power surges, power outages and unwanted or unintentional start-up.

The switch assembly is equipped with a GREEN "START" button **A** and a RED spring loaded "STOP" button **B**.

Once the RED "STOP" button has been pressed, the machine can only be started by turning the BLACK inner part of the button to the right **C** to release the stop button.



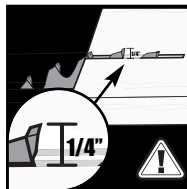
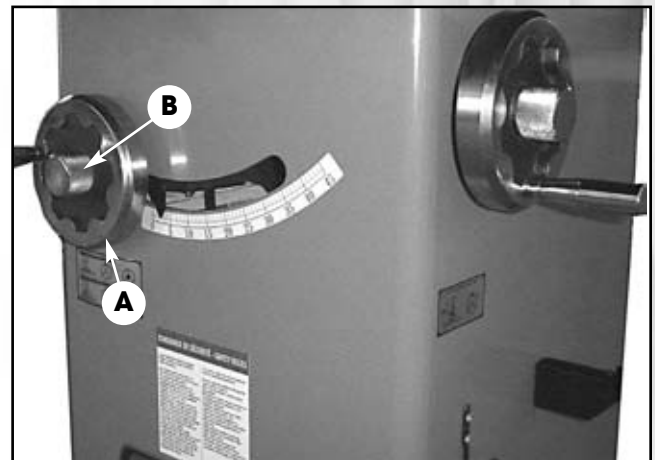
BLADE HEIGHT & TILT ADJUSTMENT

BLADE HEIGHT ADJUSTMENT

The blade height adjustment handwheel **A** is located on the front of the saw, and there is a lock knob **B** on the handwheel that allows you to lock the wheel and secure the blade at the desired height.

To raise or lower the blade:

1. Loosen the blade height lock knob **B** by turning counterclockwise.
2. To raise the blade: turn the handwheel clockwise. To lower the blade: turn the handwheel counterclockwise.
3. With the blade set to the desired height, tighten the lock knob to lock the blade.



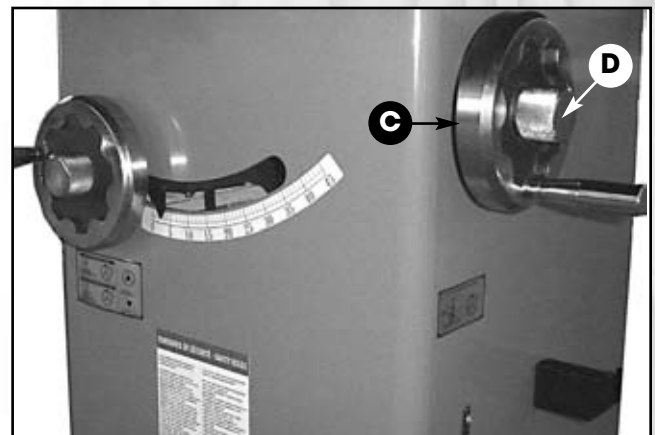
TO LIMIT YOUR EXPOSURE TO THE BLADE AND ALSO TO MAXIMISE THE EFFECTIVENESS OF THE ANTI-KICKBACK PAWLS (WHEN USING THE RIVING STYLE SPLITTER & BLADE GUARD), NEVER TAKE MORE BLADE HEIGHT THAN IS REQUIRED TO COMPLETE THE CUT. WHEN SETTING THE BLADE HEIGHT FOR THROUGH-CUTS (CUTS ALL THE WAY THROUGH THE THICKNESS OF A BOARD) SET THE HEIGHT OF THE BLADE TO ROUGHLY 1/4" HIGHER THAN THE THICKNESS OF THE BOARD.

BLADE TILT (BEVEL) ADJUSTMENT

The blade tilt (bevel) adjustment handwheel **C** is located on the right side of the saw and there is a lock knob **D** on the handwheel that allows the user to lock the tilting mechanism and secure the blade at the desired angle.

To change the angle of the blade:

1. Loosen the lock knob **D** by turning it counterclockwise.
2. Turn the handwheel **C** left or right as required to set the blade to the desired angle. The blade can be tilted to the left anywhere from 0° (90° to the table) to 45°.
3. With the blade tilted to the desired angle, tighten the lock knob **D** by turning it clockwise to lock the tilting mechanism and secure the blade at the desired angle.



OPERATING INSTRUCTIONS



VERIFY ALL CHECK POINTS BEFORE STARTING. FAILURE TO COMPLY CAN RESULT IN SERIOUS INJURIES.

- Make sure that the arbor nut is secure and that the blade is firmly tightened snug on the arbor.
- Check that the blade angle and height lock knobs are tight.
- If ripping, make sure the fence lock lever is engaged and that the fence is parallel to the blade.
- If cross cutting, make sure the miter gauge is locked tight.
- While using the saw, be sure to wear safety glasses at all times.
- Make sure that the blade guard/splitter assembly or riving knife is properly installed and aligned with the blade, and that the anti-kickback pawls are functioning.

TYPES OF CUTS

RIPPING

Cutting a wood plank or sheet of plywood lengthwise to reduce its width is called "ripping." To rip stock, hold the work with both hands pushing it into the blade as well as firmly against the rip fence so that it is cut straight **A**.

- The work to be cut must have a straight edge to ride against the fence and must be flat to make solid contact with the table during the cut in order to avoid "kick-back" (a blade jam causing the wood to fly backwards and hit you).
- Never rip or cut wood without using the fence or miter gauge to guide it because the stock could kickback.
- Always use the blade guard and splitter assembly when cutting wood. It has anti-kickback fingers and a splitter to prevent the saw "kerf" (the slit cut by the blade) from closing and binding the blade, which can overload and/or stall the motor or cause the blade to lift and eject the workpiece towards the front of the saw at very high speeds. The blade guard keeps your fingers away from the blade and also reduces the amount of sawdust flying free.
- Although certain operations require the removal of the blade guard and splitter assembly, it should always be replaced for regular cutting.
- Never stand in the line of the blade when ripping.
- Raise the saw blade only about 1/4" higher than the workpiece to be cut.



As you complete the rip, the wood will either remain on the table, tilt up to be caught on the end of the guard, or fall onto the floor (or outfeed table). The waste part of the stock remains on the table to be removed only after the saw is stopped (unless it is large enough for immediate safe removal).

If the work to be ripped is narrow, it is safer to use a push stick, rather than the hands, to feed it into the blade **B**. Push sticks with non-slip grippers can be purchased, but a shop-made one works just as well.

When ripping extremely narrow stock that may not clear the width of the blade guard, or very thin material such as paneling, which may slip between the underside of the fence and the table surface, a strip of wood as an auxiliary guide can be attached to the fence.



NEVER REACH IN TOWARDS THE BLADE WHILE THE BLADE IS STILL SPINNING! WHENEVER A RIP CUT IS COMPLETED, TURN OFF THE SAW AND WAIT FOR THE BLADE TO COME TO A COMPLETE STOP BEFORE REACHING IN TO REMOVE THE WORKPIECE OR THE WASTE MATERIAL.

BEVEL RIPPING

Bevel ripping is performed the same as ripping but with the saw blade set to an angle not perpendicular with the table surface. After changing the bevel angle verify the alignment of the guard and splitter; make sure there is clearance with the saw blade.

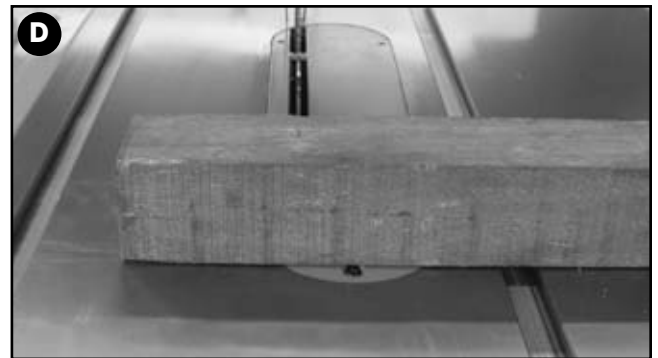
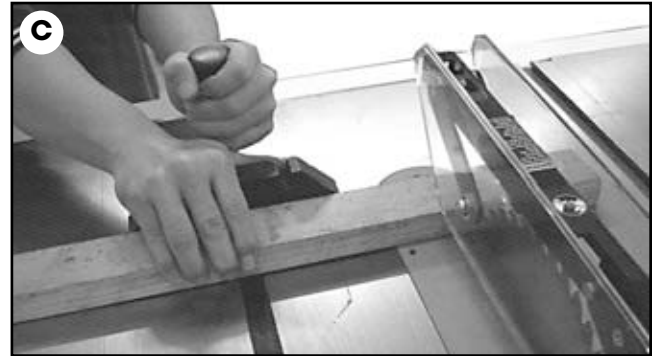
RIPPING SMALL WORK PIECES

Do not attempt rip cuts if the work piece is too small, as this will oblige you to place your hands too close to the blade and put you at serious risk of injury. When ripping narrower widths; use a push block or a push stick in order to avoid placing hands near the blade.

CROSS CUTTING

Cutting against the grain, to shorten the length of a board is cross cutting. With some smaller-sized and rectangular pieces, you often have the choice of ripping or cross cutting. Always use the miter gauge, **C**, when cross cutting; never cut a piece unsupported. The miter gauge may be used in either slot, but most operators prefer the left groove for typical work. When the blade is tilted for bevel cutting, use the table slot that does not cause interference with your hand or the saw blade guard.

To begin cross cutting, place the work on the miter gauge and, with the motor OFF, slide it up close to the blade to align the outer edges of the teeth with your cut mark, **D**. Keep a firm grip as you pull the miter gauge and the wood back away from the blade. Lower the blade guard, turn on the saw and make the cut. When the work is cut through, move one or both cut pieces — if long enough to handle without danger — immediately off to the side, away from the turning blade. Turn off the motor.



BEVEL CROSS CUTTING

This procedure is the same as cross cutting except that the blade is set to an angle other than 0. After changing the bevel angle, verify the alignment of the guard and splitter and verify that there is clearance with the saw blade.

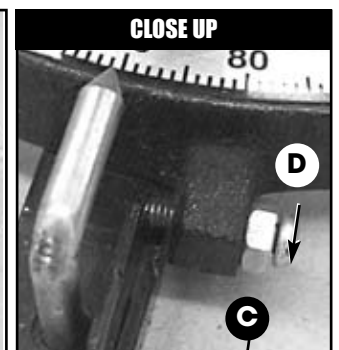
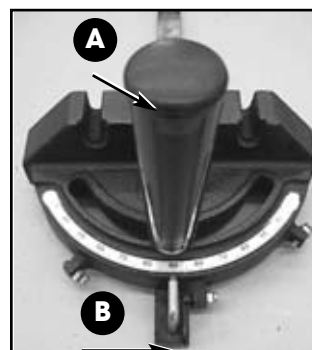
ADJUSTING AND USING THE MITER GAUGE

The miter gauge supplied with your saw has accurately adjusted index stops at 90° and 45° to the right and left, with a 30° maximum.

To use a setting other than 90°, loosen the lock knob **A** by turning it counter-clockwise, pull the stop-lock pin **B**, rotate the miter head to 45°, or any angle shown on the numerical guide. Turn the lock knob clockwise to tighten it.

To check the accuracy of the miter gauge's factory settings, set it at 90° and check it with an L-square or T-square. To verify the setting, make a test cut in scrap stock and then use a square to check the cut piece. Repeat adjustment if necessary.

If the miter gauge needs adjusting, manually turn the head so the pointer is where you think it ought to be, tighten the lock knob and loosen the nut **C**. Turn the adjusting screw **D** until it touches the stop-lock pin. Tighten down the nut again. Recheck the angle by making another test cut. Repeat, if necessary, until a true 90° is achieved.



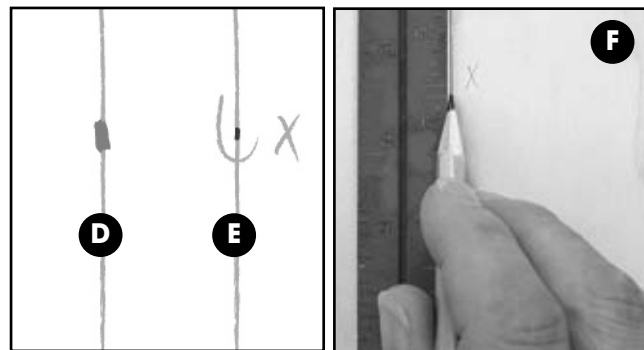
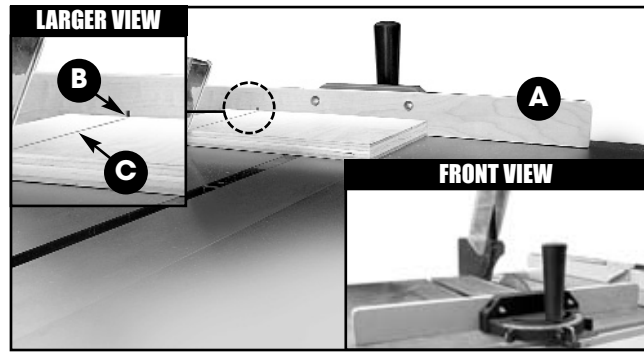
ADDING AN AUXILIARY FENCE TO THE MITER GAUGE

To ensure a true 90° crosscut, especially with longer pieces of wood that need more support than the narrow miter gauge head can provide, an auxiliary wood fence can be attached.

Make sure the wood for the fence is straight, and not bowed. It should be about 2" wide and extend about 12" from either side of the miter head. Drill 2 holes in the wood corresponding to those on the miter head and use bolts and nuts to secure the wood fence to the head **A**.

To use the miter gauge with an auxiliary fence, first notch the fence with the saw blade a bit higher than the nut **B**. Measure and draw a cutline on your wood **C** then place it on the miter fence. Position your cutline against the notch. Turn on the saw, slide the work up until it is cut through, but don't cut off the fence.

Marking Wood: If you measure a cut for 24", line up the blade on the waste side of the mark. Don't cut through the middle of the measurement line or you'll reduce your desired board length by half the width of the saw blade! For accurate work, don't mark your cut with a fat pencil line **E**. A narrow dash, with a sharp pencil point is best **D**. Encircle the dash so you'll find it again and add a small X to indicate the waste or cut-off side. Pencils, like saw blades, have thickness. When squaring off from the cut mark, align your square to allow for pencil clearance, which will be about 1/16" away from the drawing edge of the square **F**. **!**



MITER CUTS

This operation is the same as cross cutting, except the miter gauge is set to an angle other than 0. Hold the work piece firmly against the miter gauge and feed the work piece slowly into the blade to prevent it from moving during the cut.



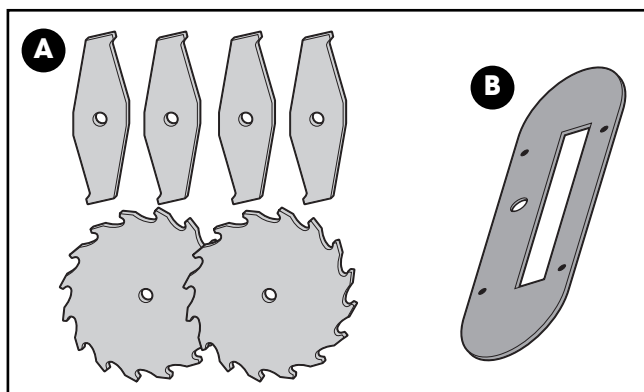
COMPOUND MITERING

This is a combination of bevel cross cutting and mitering. It is infrequently used. Follow instructions for both bevel cutting and mitering.

USING A DADO HEAD BLADE

Dadoing is cutting a "rabbet" or a wide groove into the work. A dado blade **A** (not supplied with your saw) usually consists of two outer blades and several interior cutters. These can be adjusted to cut grooves from 1/8" to 3/4" for making shelves, joints and tenoning. Set the blade's width according to the instructions.

After adjusting its width, mount the dado blade on your saw just like a regular blade. You'll need an optional dado insert **B** (Item # 50-202) to replace the standard one that comes with your saw. Use the fence to line up the cut. The blade guard/splitter must be removed when dadoing. Never use the dado blade in a bevel position.



ALWAYS VERIFY THE DADO BLADE CLEARANCE BEFORE CONNECTING THE SAW TO THE POWER SOURCE. RE-ATTACH THE GUARD AFTER DADO CUT IS FINISHED. THE MAXIMUM DADO HEAD WIDTH FOR THIS SAW IS 3/4" AND THE MAXIMUM DADO BLADE DIAMETER IS 8".

MAINTENANCE & ADJUSTMENTS



MAKE SURE THE SAW HAS BEEN TURNED OFF AND UNPLUGGED FROM THE POWER SOURCE BEFORE PERFORMING ANY MAINTENANCE.

PERIODIC MAINTENANCE

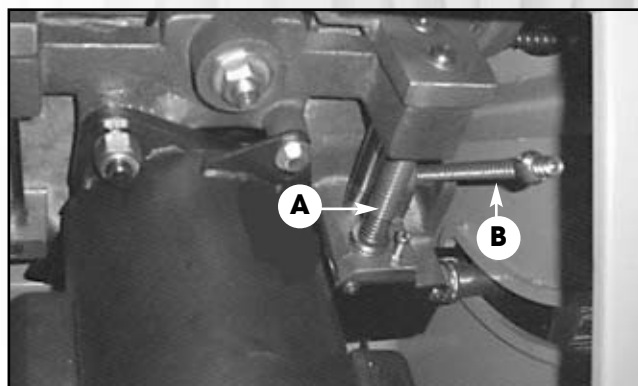
- Inspect/test the ON/OFF switch before each use. Do not operate the saw with a damaged switch - replace a damaged switch immediately
- Inspect the saw blade for damage or chipped teeth before each use. Replace a damaged or chipped blade immediately. Never operate the saw with a damaged or chipped blade
- Keep the saw table clean and free of dust, pitch or glue. An occasional light coating of paste wax can be used to protect the cast-iron surface. Ask our local distributor for suggestions on table top cleaners and cast-iron surface protection based on what is readily available in your area.
- Occasionally open the cabinet door and brush off and vacuum out accumulated dust from inside the cabinet and on the blade tilting gears and on or around the motor.
- Periodically inspect the power cord and plug for damage. To minimize the risk of electric shock or fire, never operate the saw with a damaged power cord or plug. Replace a damaged power cord or plug at the first sign of damage.
- To minimize airborne dust particles periodically inspect all dust collection fittings - re-tighten as needed.

LUBRICATION

Keep the blade height adjustment mechanism **A** (accessible by the motor cover door on the left side of the saw) as well as the blade tilt mechanism **B** well lubricated and free of dust or debris. Clean and remove dust, debris, and old lubricant as needed depending on frequency of use. After cleaning, reapply lubricant as needed.

Note: Use any all-purpose grease, available at any hardware store).

The motor and all bearings are sealed and permanently lubricated - no further lubrication is required. No other part of this cabinet saw needs lubrication.



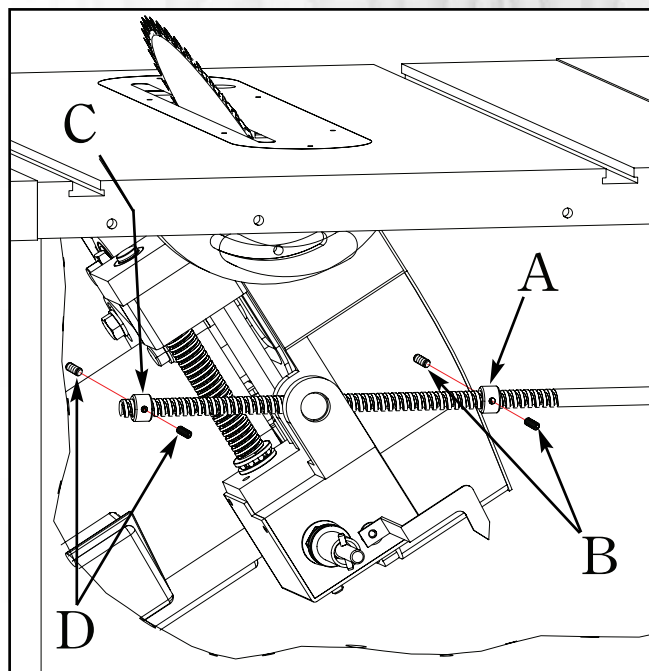
ADJUSTING THE 45° & 90° BEVEL STOPS

1. Disconnect the machine from the power source.
2. Raise the blade to its highest position and lift the blade guard.
3. Loosen the bevel lock knob and turn the blade tilting handwheel clockwise until it stops.
4. Verify the angle of the blade with a combination square from the left side of the blade, keep the square flat against the table and against the flat part of the blade - Do not touch the teeth or the table insert.

If the blade angle is incorrect, loosen the two set screws **D** and manually turn the 90° stop nut **C** one full counterclockwise turn.

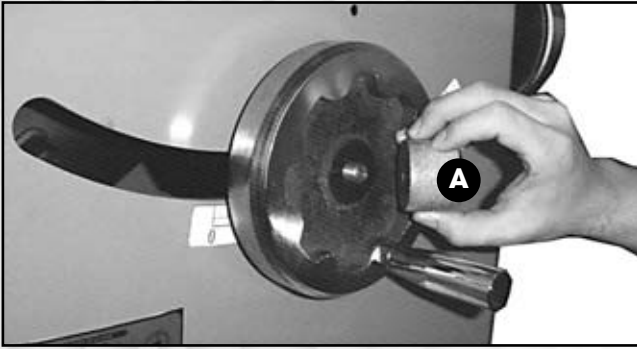
Turn the handwheel until the blade is at 90° to the table surface. Then re-tighten the 90° stop nut clockwise until slight resistance is felt, then re-tighten the set screw. Do not over tighten the stop nut.

Verify the 45° setting by tilting the blade as far as possible to the left and, using the square, check the angle and if needed adjust as for the 90° stop, this time using the right stop nut **A** and set screws **B**.

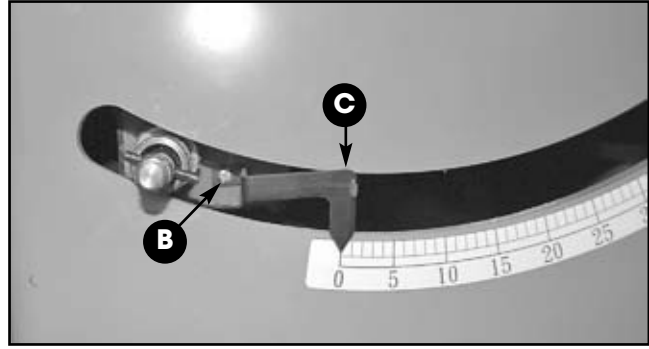


ADJUSTING THE BEVEL ANGLE POINTER

The bevel pointer should read "0" when the blade is at 90° to the table. If not, with the blade set 90° vertical to the table, proceed as follows:



1. Remove the handwheel by loosening the hand wheel lock knob **A**.




2. Once the handwheel has been removed, loosen the Phillips head screw **B** on the pointer mounting bracket with a screwdriver and manually align the pointer **C** with the zero on the bevel scale, then re-tighten the screw and re-attach the handwheel.

Notes

RECOMMENDED OPTIONAL ACCESSORIES

We offer a large variety of products to help you increase convenience, productivity, accuracy and safety when using your saw. Here's a small sampling of optional accessories available from your local General International dealer.


For more information about our products, please visit our website at www.general.ca



Miter guide
#50-EB3



Quickly and easily finds any angle. Rock solid triangular design is reversible for use on either side of the blade.

Adjustable fence for tight blade clearance, telescoping fence extension and sliding flip up stop for accurate repeat cuts. A "must have" for any serious hobbyist.




Sliding Table
#50-SLT60 or 50-SLT40

For accurate crosscutting or mitering of wide panels; 49" for SLT40 or 62" for SLT60. Featuring a stable rock solid design that runs on smooth roller bearings allowing the user to walk large panels through the cut with ease.

Tenoning Jig
#50-050

Solid cast iron. Fits left or right tilt saws for safe and accurate tenoning.

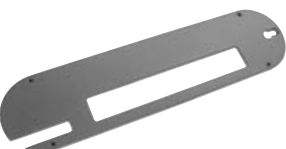
Overarm Blade Cover - With Dust Collection Capability - #50-EXBC10

Maximize dust collection without compromising safety. Easy to install and simple to use, see-through blade cover. 4" main boom with 3" inner boom. Unique design mounting bracket: pivots away or removes completely in seconds.





Dado insert - #50-202

Fits left tilt model 50-200R only, for use with dado blades up to 3/4" maximum width.



Zero Clearance insert
#50-203

Eliminates space between the blade and insert to help reduce tear-out and airborne dust. Raise the blade through the insert and custom cut to your blade kerf.



7 Piece Deluxe 8" Dado blade set - #55-185

(2) 24 tooth exterior blades. Standard 5/8" (16 mm) bore. Maximum 6000 RPM. Makes 1/8" to 13/16" (3 to 21 mm) grooves. Anti-kickback design. Convenient & sturdy wooden storage case included.

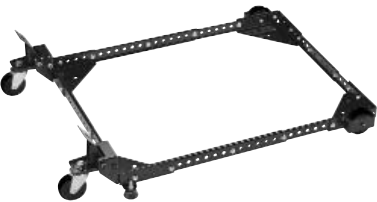



Melamine Extension Table
27" X 36"
#50-105

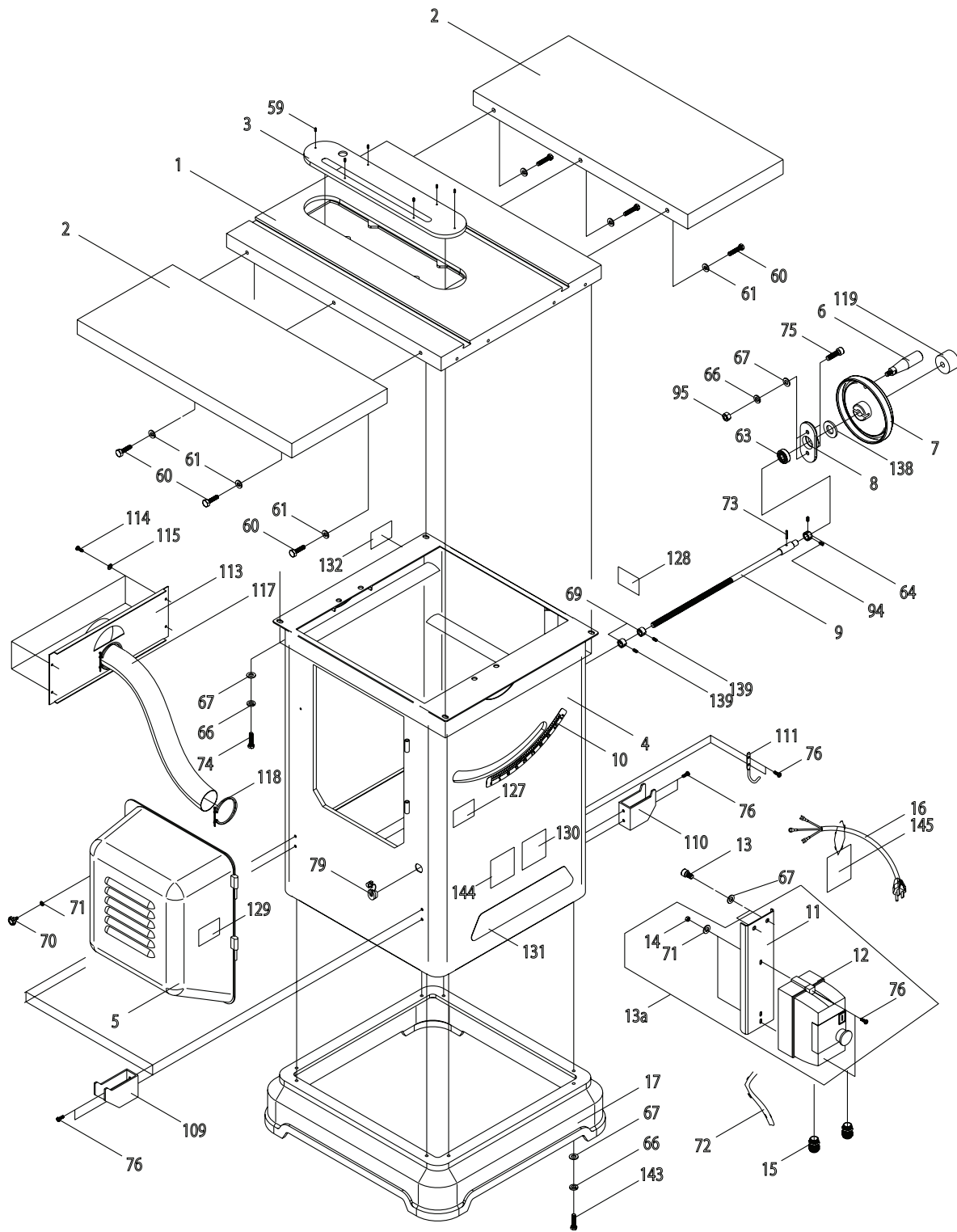
Steel Adjustable Support Leg Set (2) for Extension Table
#50-115

Mobile base
50-025

Easily roll your cabinet saw anywhere in your shop. Load capacity: 500 lbs. Wheels lock when equipment is in use.



CABINET AND TABLE



PARTS LIST - 50-275R

PARTS NO.	REF. NO.	DESCRIPTION	QTY
50200R-01A	13300001	MAIN TABLE	1
50200R-02	E1210005	EXTENSION WING	2
50200R-03	12700003B	TABLE INSERT	1
50275R-04	13300002B	CABINET	1
50200R-05	13200004	MOTOR COVER DOOR	1
50200R-06	10105056A	HANDLE	2
50200R-07	11500048	HANDWHEEL	2
50200R-08	13200032	WHEEL COVER	1
50200R-09	13200013G	TILT ADJUSTMENT ROD	1
50200R-10	J1330001	ANGLE SCALE	1
50275R-11	11303020	SWITCH PLATE	1
50275R-12	W2092301B	MAGNETIC SAFETY SWITCH	1
50275R-13	S0010810M	SCREW	2
50275R-13A		MAGNETIC SAFETY SWITCH ASSEMBLY	1
50275R-14	S0110500M	NUT	2
50275R-15	S100PG13	WIRE CLAMP	1
50200R-16	L0000132A	POWER WIRE	1
50275R-17	13200030	BASE	1
50200R-18	13300015	DUST PLATE	1
50200R-19	10105069Q	FLANGE	1
50200R-20	B0000008G	BLADE	1
50200R-21	13300008	ARBOR	1
50200R-22	13300011	GUARD MOUNTING BRACKET	1
50200R-23	13300005	SAW CHUTE	1
50200R-24	13200007	ROD	2
50200R-25	13300006	ARBOR BRACKET	1
50200R-26	M133C001	MOTOR	1
50200R-27	13300012	MOTOR PLATE	1
50200R-28	13200009	MOTOR PULLEY	1
50200R-29	13200016	HEIGHT ADJUSTMENT SCREW	1
50200R-30	20900028	BUSHING	2
50200R-31	13200014G	ARBOR	1
50200R-32A	13200033A	SPACING COLLAR	1
50200R-33	13200027	SLEEVE	1
50200R-34	11105064	ROD CAP	1
50200R-35	13300017	ANGLE POINTER	1
50200R-36	20900022	GEAR	2
50200R-37	V13207190	BELT	1
50200R-38	13300010	GEAR COVER	1
50200R-39	20701006	BEARING	1
50200R-41A	S0010865M	CAP SCREW	1
50200R-42	11105081	SPRING	1
50200R-43	13200029	TRUNNION	2
50200R-44	12700057	SQUARE HEAD BOLT	1
50200R-45	12300118J	RIVING KNIFE MOUNTING BLOCK	1
50200R-46	12300125J	RIVING KNIFE CLAMPING PLATE	1
50200R-47	12700059	HEX. NUT	1
50200R-48	12700058	LEVER	1
50200R-49	S009AN04	NUT	1
50200R-50	11102020	FLANGE BOLT	1
50200R-51	11105080	SPRING	1
50200R-52	C9001920	BEARING	4
50200R-53	20900019	SCREW BUSHING	1
50200R-54	12900037	SLEEVE	1
50200R-55	12700013	SHAFT	1
50200R-56	C1206202A	BEARING	2
50200R-57	C5151102	BEARING	1

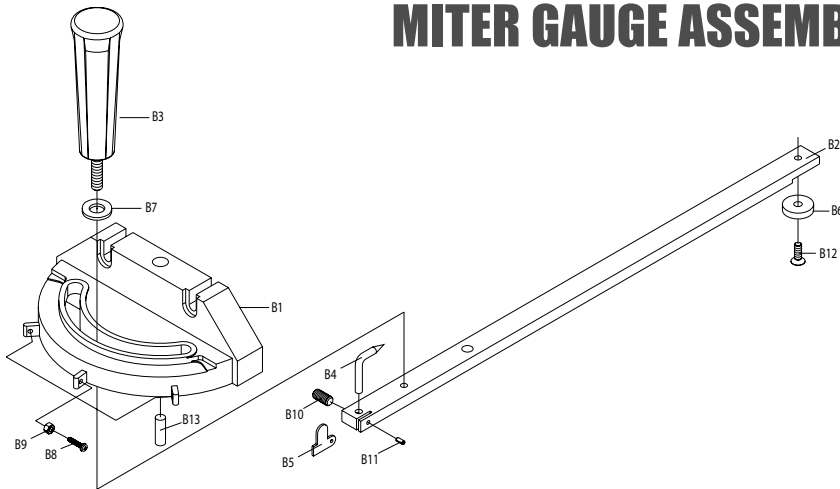
PARTS LIST - 50-275R

PARTS NO.	REF. NO.	DESCRIPTION	QTY
50200R-58	13200028	RING	1
50200R-59	S0050505M	SET SCREW	10
50200R-60	S0021025M	HEX. BOLT	6
50200R-61	S0231000M	LOCK WASHER	6
50200R-62	S0211021	FLAT WASHER	7
50200R-63	C1106201	BEARING	1
50200R-64	13200031	POSITION RING	1
50200R-65	S0020820M	HEX. BOLT	8
50200R-66	S0230800M	LOCK WASHER	10
50200R-67	S0210516	FLAT WASHER	7
50200R-68A	S0212137	WASHER	1
50200R-69	13200034	POSITION NUT	2
50200R-70	S0020510M	PULL KNOB	1
50200R-71	S0210303	FLAT WASHER	8
50200R-72	LC1430402	MOTOR WIRE	1
50200R-73	S0310525	PIN	2
50200R-74	S0010820M	CAP SCREW	2
50200R-75	S0010835M	CAP SCREW	4
50200R-76	S0030515M	PHILLIPS HEAD SCREW	15
50200R-77	11105068	ARBOR NUT	1
50200R-78	S0020625M	HEX BOLT	2
50200R-79	S1017W-2	STRAIN RELIEF	3
50200R-80	S0210402	FLAT WASHER	3
50200R-81	S0050810M	SET SCREW	4
50200R-82	S0111400L	HEX NUT	1
50200R-83	S0021020M	HEX BOLT	1
50200R-84	S0210540	FLAT WASHER	1
50200R-85	S0120580	LOCK NUT	1
50200R-86	S0010508M	PHILLIPS HEAD SCREW	2
50200R-87	S0050510M	SET SCREW	4
50200R-89	S0120800M	LOCK NUT	1
50200R-90	S0050103	SET SCREW	4
50200R-91	S0210500B	FLAT WASHER	1
50200R-93	S0112000M	HEX. NUT	1
50200R-94	S00505605M	SET SCREW	2
50200R-95	S0110800M	HEX. NUT	2
50200R-96	S0030512	PHILLIPS HEAD SCREW	4
50200R-97	S0210516	FLAT WASHER	8
50200R-98	S0110500	HEX. NUT	4
50200R-99	13200026	MOUNTING PLATE	1
50200R-100	12700049A	PUSH BAR	1
50200R-101	12700050A	PUSH HANDLE	1
50200R-102	10102032	SPRING	1
50200R-103	S0120800M	LOCK NUT	1
50200R-104	S0310325	PIN	1
50200R-105	S0010520M	CAP SCREW	2
50200R-106	S0230500M	LOCK WASHER	2
50200R-107	S0020640M	HEX BOLT	2
50200R-108	S0110600M	HEX NUT	2
50200R-109	11500006	FENCE STORAGE BRACKET	2
50200R-110	11500044	MITER GAUGE STORAGE BRACKET	1
50200R-111	11500045	WRENCH HOOK	1
50200R-112	12300154	PUSH STICK	1
50200R-113	13200025	DUST OUTLET PLATE	1
50200R-114	S0030412M	PHILLIPS HEAD SCREW	7
50200R-115	S0210300B	FLAT WASHER	7

PARTS LIST - 50-200R-B14

PARTS NO.	REF. NO.	DESCRIPTION	QTY
50200R-116	13000004A	RIVING KNIFE	1
50200R-117	S1500212C	DUST HOSE	1
50200R-118	12300156B	HOSE CLAMP	2
50200R-119	11305031	LOCK KNOB	2
50200R-121A	N/A	TOOL KIT	1
50200R-121	10105090Q	ARBOR WRENCH	1
50200R-122	S0911012	OPEN END WRENCH 14-17 MM	1
50200R-123	S0911417	OPEN END WRENCH 10-12 MM	1
50200R-124	S0910206	ALLEN KEY 6 MM	1
50200R-125	S0910204	ALLEN KEY 4 MM	1
50200R-126	S0910203	ALLEN KEY 3 MM	1
50200R-127	JG133002	LABEL	1
50200R-128	JG133003	LABEL	1
50200R-129	JG133004	WARNING LABEL	1
50200R-130	JG000001	WARNING LABEL	1
50200R-131	JG000004	LOGO LABEL	1
50200R-132	J2091001	I.D. NAME PLATE	1
50200R-133	J30301002	WARNING LABEL	1
50200R-134	S0910225	L-WRENCH 2.5 MM	1
50200R-135	S0220302	LOCK WASHER	2
50200R-136	S0520015	C-RING	1
50200R-138	S0212137	FLAT WASHER	1
50200R-139	S0050608M	SET SCREW	1
50200R-140	S0110500M	NUT	2
50200R-141	S0220500M	LOCK WASHER	2
50200R-142	S0220300	SPROCKET WASHER	2
50275R-143	S0020825M	HEX HEAD BOLT	6
50275R-144	JG000006	WARNING LABEL	1
50275R-145	JG000002	HANGING LABEL	1

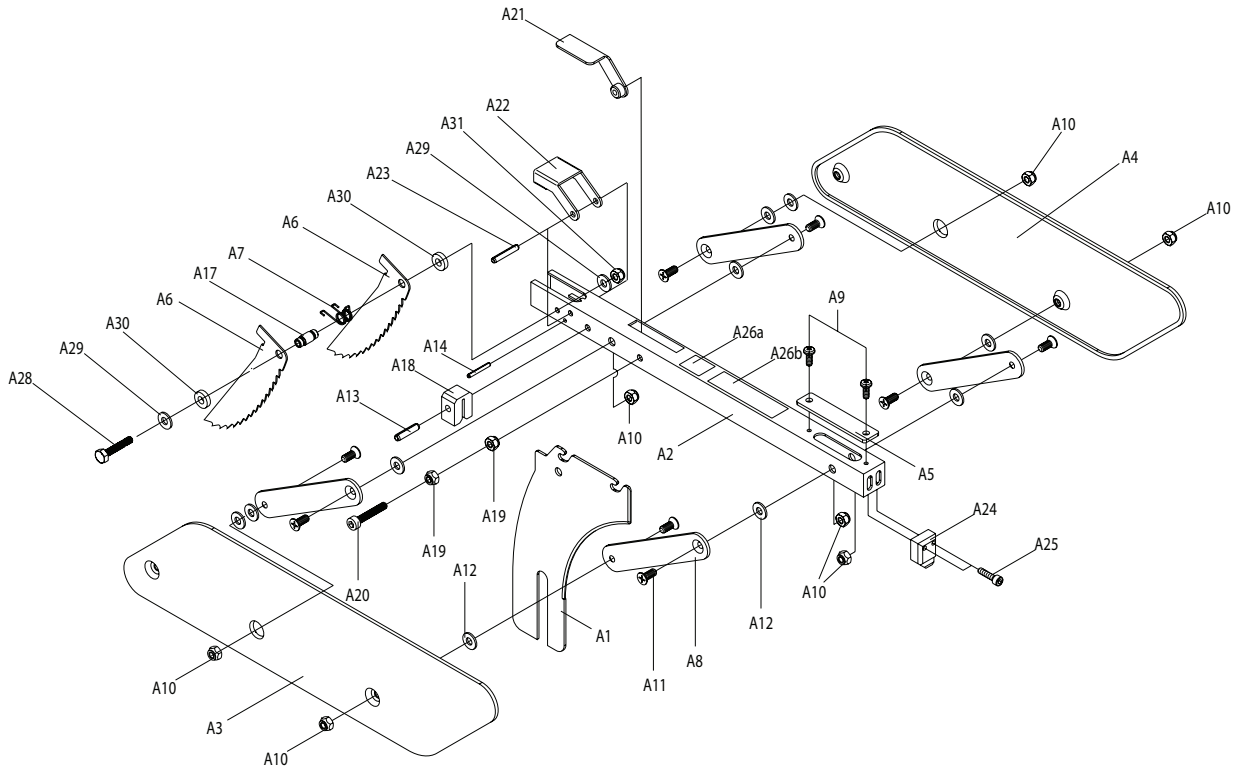
MITER GAUGE ASSEMBLY – 50200R-B14



PART NO.	REF. NO.	DESCRIPTION	QTY
50200R-B01	10104046K	MITER GAUGE BODY	1
50200R-B02	10104048C	GUIDE BAR	1
50200R-B03	10104045T	HANDLE	1
50200R-B04	10104050	POINTER	1
50200R-B05	10104049Q	STOP PLATE	1
50200R-B06	10104047	GUIDE WASHER	1
50200R-B07	S0210501	FLAT WASHER	1
50200R-B08	S0030110	PHILLIPS HEAD SCREW	3
50200R-B09	S0110100	HEX NUT	3
50200R-B10	S0050404	SET SCREW	1
50200R-B11	S0310306	PIN	1
50200R-B12	S0040400	FLAT HEAD SCREW	1
50200R-B13	10104047K	PIN	1
50200R-B14	N/A	MITER GAUGE ASSEMBLY	1

MITER GAUGE

SPLITTER / BLADE GUARD ASSEMBLY – 50200R-A27



PARTS LIST - 50200R-A27

PARTS NO.	REF. NO.	DESCRIPTION	QTY
50200R-A01	13000004	GUARD RIVING KNIFE	1
50200R-A02	12700005	SUPPORT ARM	1
50200R-A03	12700006	GUARD (LEFT)	1
50200R-A04	12700007	GUARD (RIGHT)	1
50200R-A05	12700067	PLASTIC PLATE	1
50200R-A06	10606102	ANTI-KICKBACK PAWL	2
50200R-A07	10103040	SPRING	1
50200R-A08	10103035	SUPPORT PLATE	4
50200R-A09	S0030304	PHILLIPS HEAD SCREW	2
50200R-A10	S0120200	LOCK NUT	8
50200R-A11	S0040412	FLAT HEAD SCREW	8
50200R-A12	S0210404	FLAT WASHER	10
50200R-A13	S0310630	PIN	1
50200R-A14	S0313528	PIN	1
50200R-A17	12700051A	SLEEVE	1
50200R-A18	12700039A	PAD	1
50200R-A19	S0120600M	LOCK NUT	2
50200R-A20	S0010635M	CAP SCREW	1
50200R-A21	12700054	HANDLE	1
50200R-A22	12700061	MOUNTING PLATE	1
50200R-A23	S0310530	PIN	1
50200R-A24	12700062	GUARD BLOCK	1
50200R-A25	S0010512M	CAP SCREW	2
50200R-A26A	JG133001	WARNING LABEL	1
50200R-A26B	JG133001	WARNING LABEL	1
50200R-A27	N/A	BLADE GUARD ASSEMBLY	1
50200R-A28	S0020535M	HEX BOLT	1
50200R-A29	S0210513M	FLAT WASHER	1
50200R-A30	10401005	RING	2
50200R-A31	S0120500M	LOCK NUT	1

SPLITTER / BLADE GUARD ASSEMBLY

MODEL 50-275R M1



8360 Champ-d'Eau, Montreal (Quebec) Canada H1P 1Y3

Tel.: (514) 326-1161

Fax: (514) 326-5565 - Parts & Service / Fax: (514) 326-5555 - Order Desk

orderdesk@general.ca
www.general.ca

IMPORTANT

When ordering replacement parts, always give the model number, serial number of the machine and part number. Also a brief description of each item and quantity desired.

Free Manuals Download Website

<http://myh66.com>

<http://usermanuals.us>

<http://www.somanuals.com>

<http://www.4manuals.cc>

<http://www.manual-lib.com>

<http://www.404manual.com>

<http://www.luxmanual.com>

<http://aubethermostatmanual.com>

Golf course search by state

<http://golfingnear.com>

Email search by domain

<http://emailbydomain.com>

Auto manuals search

<http://auto.somanuals.com>

TV manuals search

<http://tv.somanuals.com>