

K750

Reservdelar

Spare parts

Ersatzteile

Pieces de rechange

Piezas de repuesto

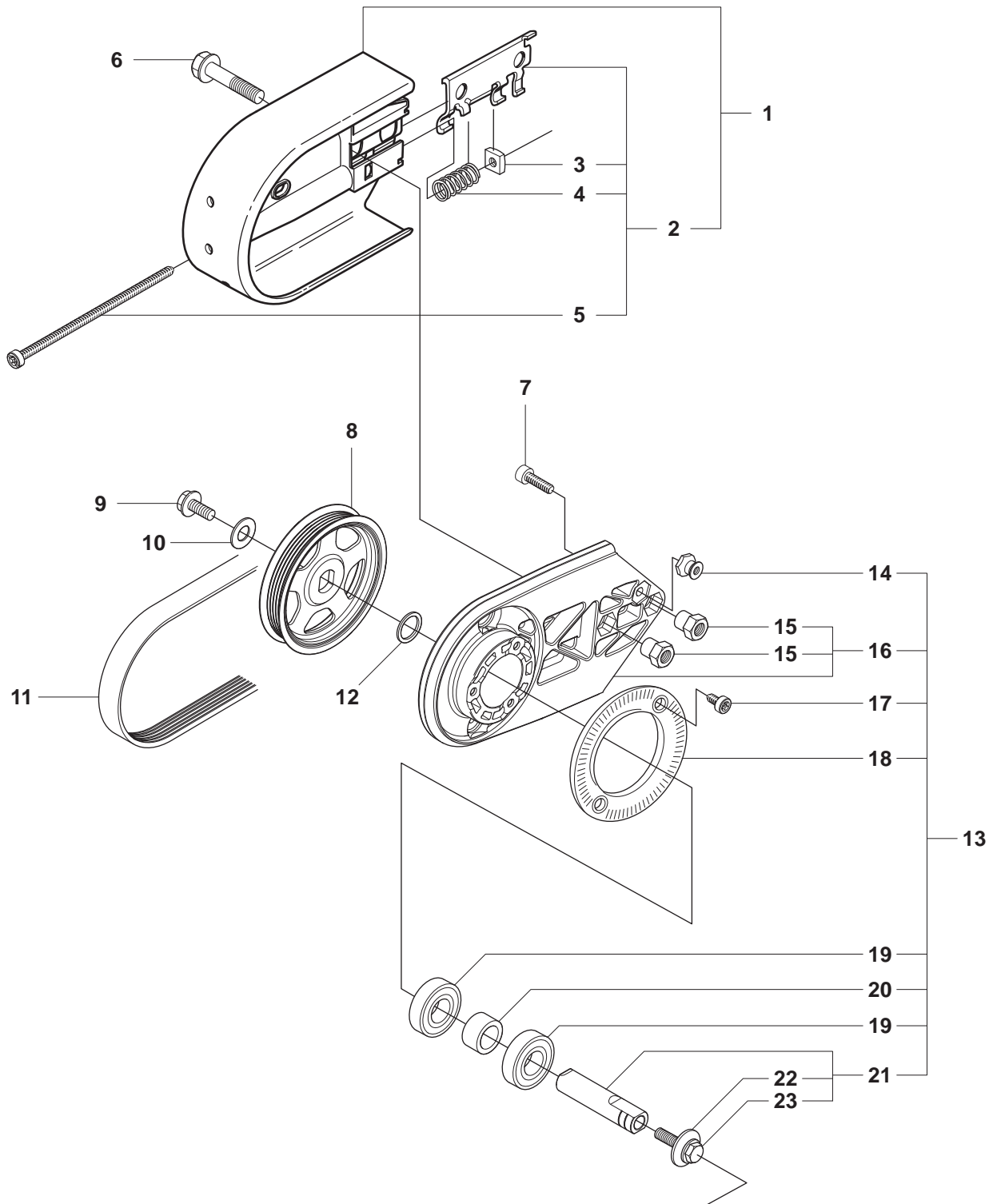
Ricambi

Peças sobresselente

| No. | Pos. | Description | No. | Pos. | Description |
|--------------|-------|---------------------|--------------|------|----------------------|
| 501 27 08-01 | C | GUIDE BUSHING | 506 25 30-01 | H | COMPRESSION SPRING |
| 501 27 13-02 | F | CABLE GROMMET | 506 25 59-03 | F | TANK CAP ASSY |
| 501 48 54-02 | J | SPARK PLUG CAP | 506 25 81-02 | H | STARTER PULLEY |
| 501 63 48-01 | J | SPRING | 506 25 89-01 | H | RECOIL SPRING |
| 501 67 32-03 | J | PAWL | 506 26 31-01 | H | SPACING SLEEVE |
| 501 76 83-28 | F | FUEL HOSE | 506 26 41-01 | F | FUEL FILTER |
| 501 81 99-01 | J | SCREW | 506 26 41-11 | F | FUEL FILTER |
| 503 12 79-01 | H | STARTER HANDLE | 506 26 63-02 | B | LINING |
| 503 16 40-01 | F | TANK VENT | 506 26 64-01 | B | SCREEN PATTERN FLANG |
| 503 20 00-45 | A | SCREW COLLAR | 506 26 65-01 | B | FLANGE |
| 503 20 03-12 | C | SCREW | 506 26 66-04 | A | BELT TENSIONER ASSY |
| 503 20 72-75 | A | SCREW | 506 26 68-01 | A | COMPRESSION SPRING |
| 503 21 28-06 | FJ | SCREW | 506 27 11-01 | F | HOSE CLAMP |
| 503 21 28-10 | HJ | SCREW | 506 27 27-10 | J | FLYWHEEL |
| 503 21 45-16 | F | SCREW | 506 28 41-02 | B | LABEL |
| 503 21 53-10 | ALDG | SCREW | 506 28 41-04 | B | LABEL |
| 503 21 53-20 | JL | SCREW | 506 28 41-12 | B | LABEL |
| 503 21 53-21 | CDGHK | SCREW | 506 28 41-14 | B | LABEL |
| 503 21 53-25 | D | SCREW | 506 28 44-02 | A | COLLAR SCREW |
| 503 21 53-40 | G | SCREW | 506 28 73-01 | A | NUT |
| 503 21 53-41 | CD | SCREW | 506 28 84-01 | A | SCREEN PATTERN FLANG |
| 503 21 53-56 | DKL | SCREW | 506 29 21-01 | F | GASKET |
| 503 21 54-20 | DFGN | SCREW | 506 29 56-01 | N | NIPPLE |
| 503 21 67-22 | H | SCREW | 506 29 57-02 | N | NIPPLE |
| 503 22 10-11 | J | NUT | 506 29 83-63 | A | SHAFT |
| 503 22 65-04 | CFL | NUT | 506 29 88-01 | N | FILTER |
| 503 23 00-42 | J | WASHER STEEL | 506 31 86-02 | J | STOP SWITCH |
| 503 23 00-73 | C | WASHER STEEL | 506 32 48-01 | B | SUPPORT FLANGE |
| 503 23 01-01 | J | WASHER STEEL | 506 32 87-01 | N | Y-TUBE |
| 503 23 01-04 | A | WASHER STEEL | 506 33 56-15 | H | STARTER CORD |
| 503 23 01-16 | A | WASHER STEEL | 506 33 56-50 | H | STARTER CORD 50 M |
| 503 23 51-09 | J | SPARK PLUG | 506 34 05-02 | B | WHEEL GUARD ASSY |
| 503 25 21-01 | A | BALL BEARING | 506 34 05-04 | B | WHEEL GUARD ASSY |
| 503 25 56-01 | DE | NEEDLE BEARING | 506 34 46-02 | B | HANDLE |
| 503 26 02-04 | CDP | SEALING RING | 506 36 42-03 | D | MUFFLER |
| 503 26 30-21 | N | O-RING | 506 36 68-02 | K | FILTER COVER |
| 503 26 60-01 | GN | COUPLER | 506 36 69-02 | K | FILTER BOTTOM |
| 503 28 32-09 | LM | CARBURETTOR | 506 36 71-01 | K | PREFILTER |
| 503 28 90-47 | D | PISTON RING | 506 36 88-01 | D | BRACKET |
| 503 40 06-09 | L | IMPULSE HOSE | 506 36 91-03 | C | BELT GUARD |
| 503 47 96-01 | M | SCREW | 506 36 92-03 | H | STARTER COVER |
| 503 48 00-01 | M | PIN RETAINING SCREW | 506 36 96-01 | A | PULLEY |
| 503 48 11-01 | M | PIECE | 506 36 97-01 | L | INLET PIPE |
| 503 48 18-01 | M | SCREW | 506 36 98-01 | L | INLET PIPE |
| 503 53 56-01 | M | PLUG WELCH | 506 37 03-01 | K | AIR NOZZLE |
| 503 53 57-01 | M | STRAINER | 506 37 04-01 | K | BELLOWS |
| 503 55 22-01 | D | PLUG | 506 37 05-01 | L | FLANGE INLET PIPE |
| 503 57 76-03 | F | FUEL HOSE | 506 37 06-01 | L | FLANGE INLET PIPE |
| 503 57 89-01 | F | HOLDER | 506 37 10-71 | E | CRANKSHAFT ASSY |
| 503 61 66-01 | M | GASKET PUMP | 506 37 11-03 | G | FRONT HANDLE |
| 503 71 53-01 | D | DECOMPRESSION VALVE | 506 37 13-01 | F | THROTTLE ROD |
| 503 74 43-01 | C | CLUTCH SPRING | 506 37 19-02 | F | BASE PLATE |
| 503 74 44-04 | C | CLUTCH ASSY | 506 37 20-03 | F | THROTTLE TRIGGER |
| 503 84 61-01 | C | BUFFER | 506 37 24-01 | D | PISTON ASSY |
| 504 35 72-01 | F | FUEL FILTER | 506 37 55-02 | G | GROUND SUPPORT |
| 505 27 75-16 | J | INSULATING CUP | 506 37 56-02 | G | GROUND SUPPORT |
| 505 30 24-15 | C | NEEDLE BEARING | 506 37 58-02 | D | COOLING PLATE |
| 505 39 75-13 | B | INFORMATION LABLE | 506 37 67-02 | CDP | CYLINDER BASE GASKET |
| 506 02 87-01 | B | WASHER | 506 37 68-02 | LCDP | GASKET CARBURETTOR |
| 506 02 88-30 | B | BUSHING | 506 37 70-02 | CDP | GASKET CRANKCASE |
| 506 07 08-01 | A | SPACING SLEEVE | 506 37 70-03 | CDP | GASKET CRANKCASE |
| 506 07 09-01 | B | WASHER | 506 37 72-02 | G | SPRING RETAINER |
| 506 09 56-06 | N | HOSE CLAMP | 506 37 80-01 | F | GROMMET |
| 506 09 58-24 | N | HOSE | 506 37 83-03 | C | CLUTCH WHEEL |
| 506 09 75-02 | N | HOSE | 506 37 84-02 | J | CABLE |
| 506 13 95-11 | A | WASHER | 506 37 85-01 | J | CABLE |
| 506 13 96-01 | A | COLLAR SCREW | 506 37 95-01 | F | SPRING |
| 506 14 32-01 | A | TORSION STOP | 506 37 96-20 | B | BUSHING |
| 506 22 28-02 | F | THROTTLE LOCKOUT | 506 37 96-25 | B | BUSHING |
| 506 25 14-01 | H | GROMMET | 506 38 15-01 | F | HEAT SHIELD |

| No. | Pos. | Description | No. | Pos. | Description |
|--------------|------|---------------------|--------------|------|----------------|
| 506 38 26-01 | P | COMBINATION TOOL | 544 22 90-01 | F | CHOKE CONTROL |
| 506 38 53-04 | CDP | GASKET KIT | 544 38 39-01 | H | AIR CONDUCTOR |
| 506 38 55-05 | L | CARBURETTOR BRACKET | 544 39 32-01 | F | HOSE CLIP |
| 506 38 56-12 | H | STARTER | 544 83 64-01 | M | PUMP COVER |
| 506 38 58-02 | G | HANDLE | 544 83 65-01 | M | SPRING |
| 506 38 59-04 | GN | HOSE | 544 87 44-01 | K | LABEL |
| 506 38 60-12 | N | VALVE ASSY | 544 87 44-02 | K | LABEL |
| 506 38 61-71 | D | CYLINDER ASSY | 544 87 44-03 | K | LABEL |
| 506 38 62-01 | K | COVER | 544 88 90-02 | C | CRANKCASE ASSY |
| 506 38 64-01 | L | INLET PIPE | 544 88 90-03 | Q | CRANKCASE ASSY |
| 506 38 65-12 | F | FUEL TANK | 544 88 90-04 | R | CRANKCASE ASSY |
| 506 38 66-01 | F | TANK VENT ASSY | 544 89 08-01 | H | LABEL |
| 506 38 67-02 | F | GROUND SUPPORT | 544 89 09-01 | K | LABEL |
| 506 38 71-02 | G | STOP | 544 89 10-01 | K | LABEL |
| 506 38 78-34 | J | IGNITION CABLE | 544 89 11-01 | C | LABEL |
| 506 38 91-02 | D | VIB.INSULATOR | 544 90 84-02 | A | BELT |
| 506 39 30-01 | C | WASHER | 720 12 40-20 | F | PARALLEL PIN |
| 506 39 32-02 | L | CARBURETTOR BRACKET | 725 53 29-55 | AB | SCREW |
| 506 39 36-02 | A | BELT GUARD | 725 53 31-05 | B | SCREW |
| 506 39 42-03 | A | BEARING HOUSING | 737 43 12-00 | D | RETAINING |
| 506 39 42-11 | A | BEARING HOUSING | 738 22 02-25 | CE | BALL BEARING |
| 506 39 46-01 | F | CAP | 740 43 13-00 | H | O-RING |
| 506 39 52-01 | L | PLATE | | | |
| 506 39 54-01 | M | COLLAR | | | |
| 506 39 55-01 | M | COVER | | | |
| 506 39 56-01 | M | COVER | | | |
| 506 39 57-01 | M | DIAPHRAGM ASSY | | | |
| 506 39 58-01 | M | GASKET | | | |
| 506 39 60-01 | M | DIAPHRAGM PUMP | | | |
| 506 39 61-01 | M | NOZZLE ASSY | | | |
| 506 39 62-01 | M | GASKET | | | |
| 506 39 64-01 | M | QUAD RING | | | |
| 506 39 65-01 | M | ROD | | | |
| 506 39 66-01 | M | SCREW | | | |
| 506 39 69-01 | M | SCREW | | | |
| 506 39 70-01 | M | SCREW | | | |
| 506 39 71-01 | M | SHAFT ASSY | | | |
| 506 39 72-01 | M | SCREW | | | |
| 506 39 73-01 | M | SHAFT ASSY CHOKE | | | |
| 506 39 74-01 | M | SHAFT ASSY | | | |
| 506 39 75-01 | M | SPRING | | | |
| 506 39 78-01 | M | VALVE | | | |
| 506 39 79-01 | M | WASHER | | | |
| 506 39 84-02 | K | CYLINDER COVER ASSY | | | |
| 506 39 90-01 | M | O-RING | | | |
| 506 39 91-01 | M | PLUG | | | |
| 506 40 93-01 | A | NUT | | | |
| 506 40 99-01 | M | GASKET KIT | | | |
| 506 41 00-01 | M | GASKET KIT CARB | | | |
| 506 41 23-01 | CDP | GASKET | | | |
| 537 01 25-01 | M | BALL | | | |
| 537 01 26-01 | M | SPRING | | | |
| 537 17 62-01 | M | VALVE | | | |
| 537 17 64-01 | M | LEVER | | | |
| 537 17 70-01 | M | VALVE | | | |
| 537 17 78-01 | M | PLUG | | | |
| 537 20 33-01 | E | CUP | | | |
| 537 21 03-07 | F | AV-ELEMENT | | | |
| 537 21 03-08 | G | AV-ELEMENT | | | |
| 537 27 34-01 | M | SPRING | | | |
| 537 38 51-01 | M | SCREW | | | |
| 537 38 52-01 | M | E-CLIP | | | |
| 544 00 14-02 | D | MUFFLER KIT | | | |
| 544 00 31-02 | N | WATER HOSE KIT | | | |
| 544 00 78-01 | C | BRACKET | | | |
| 544 04 75-02 | J | IGNITION MODULE | | | |
| 544 06 12-01 | CFG | SCREW | | | |
| 544 08 21-01 | M | SCREW | | | |
| 544 08 22-01 | M | SCREW | | | |
| 544 18 16-02 | L | FILTER | | | |

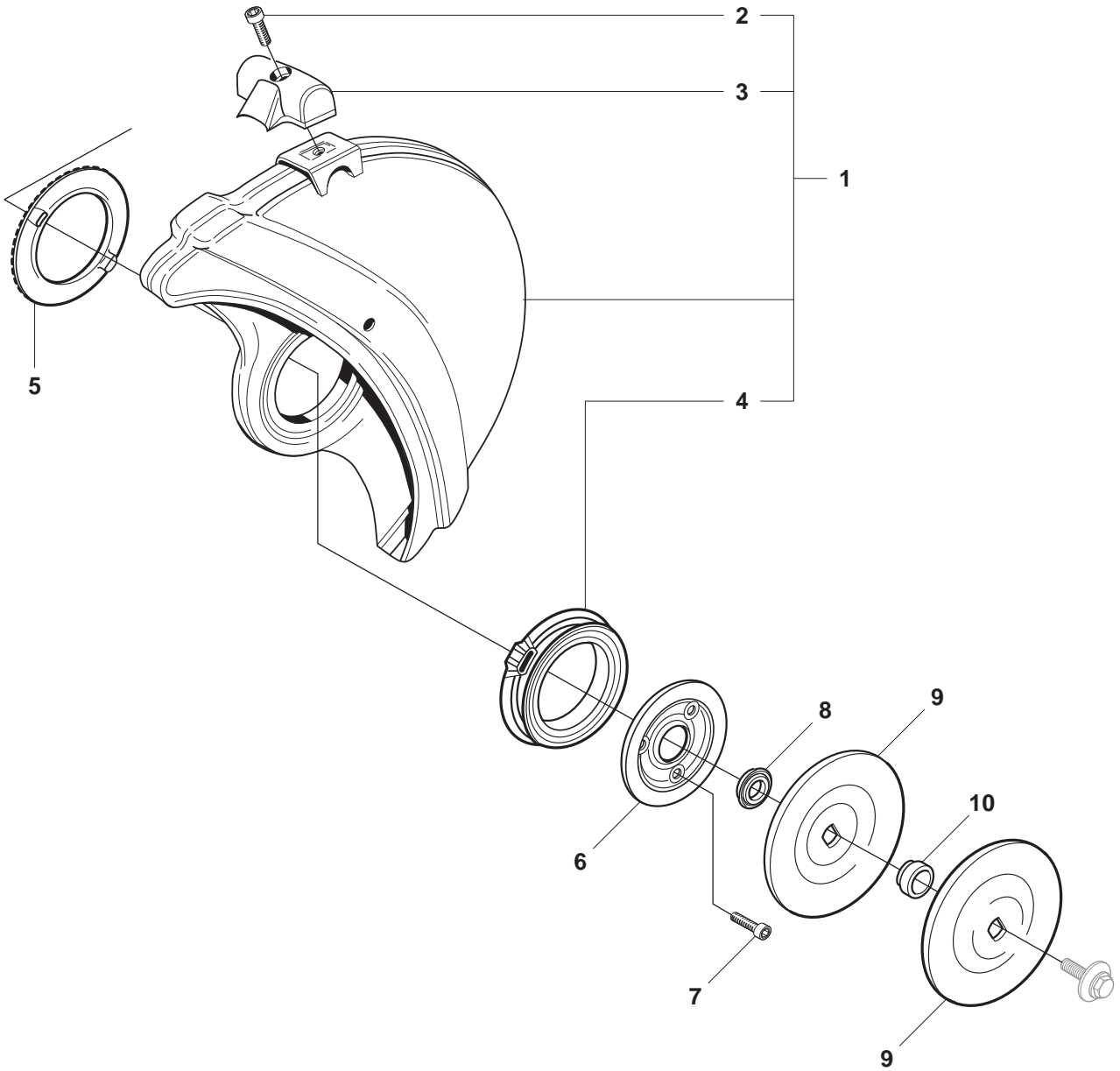
A K750



A K750

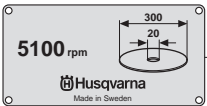
| Pos. | Compl No. | Part No. | Description | Qty. | Notes |
|------|-----------|--------------|----------------------|------|----------------------------------|
| 1 | | 506 39 36-02 | BELT GUARD | 1 | Incl. 2 |
| 2 | | 506 26 66-04 | BELT TENSIONER ASSY | 1 | Incl. 3, 4, 5 |
| 3 | | 506 40 93-01 | NUT | 1 | |
| 4 | | 506 26 68-01 | COMPRESSION SPRING | 1 | |
| 5 | | 503 20 72-75 | SCREW | 1 | |
| 6 | | 506 28 44-02 | COLLAR SCREW | 2 | |
| 7 | | 725 53 29-55 | SCREW | 1 | |
| 8 | | 506 36 96-01 | PULLEY | 1 | |
| 9 | | 503 20 00-45 | SCREW COLLAR | 1 | |
| 10 | | 503 23 01-16 | WASHER STEEL | 1 | |
| 11 | | 544 90 84-02 | BELT | 1 | |
| 12 | | 503 23 01-04 | WASHER STEEL | 1 | |
| 13 | | 506 39 42-03 | BEARING HOUSING | 1 | Incl. 14, 16, 17, 18, 19, 20, 21 |
| 14 | | 506 14 32-01 | TORSION STOP | 1 | |
| 15 | | 506 28 73-01 | NUT | 2 | |
| 16 | | 506 39 42-11 | BEARING HOUSING | 1 | Incl. 15 |
| 17 | | 503 21 53-10 | SCREW | 2 | |
| 18 | | 506 28 84-01 | SCREEN PATTERN FLANG | 1 | |
| 19 | | 503 25 21-01 | BALL BEARING | 2 | |
| 20 | | 506 07 08-01 | SPACING SLEEVE | 1 | |
| 21 | | 506 29 83-63 | SHAFT | 1 | Incl. 22, 23 |
| 22 | | 506 13 95-11 | WASHER | 1 | |
| 23 | | 506 13 96-01 | COLLAR SCREW | 1 | |

B K750



- Maskinen får ej användas innan skylt med rätt spindelvarvtal monterats.
- The machine must not be used before the label is mounted stating correct spindle speed.
- Dieses Gerät darf erst nach montage des typschil-des mit Spindelvarvtal-Angabe benutzt werden.
- La machine ne devra être mise en service qu'après installation préalable d'une plaque indiquant de la broche.

11

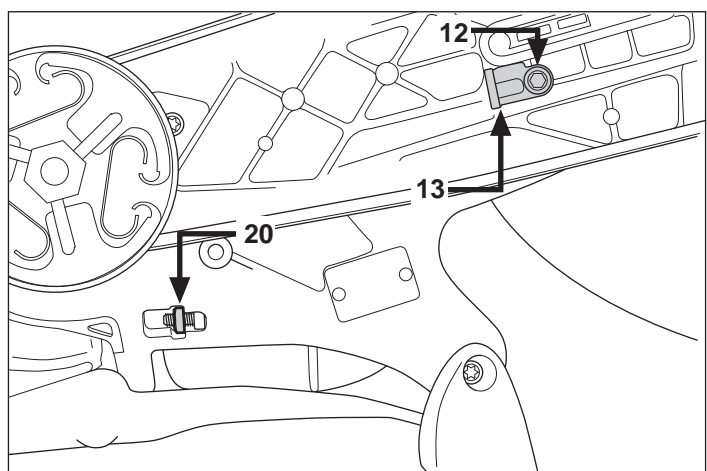
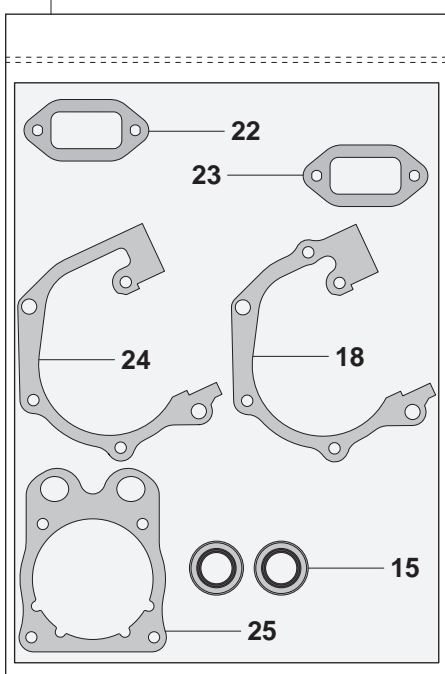
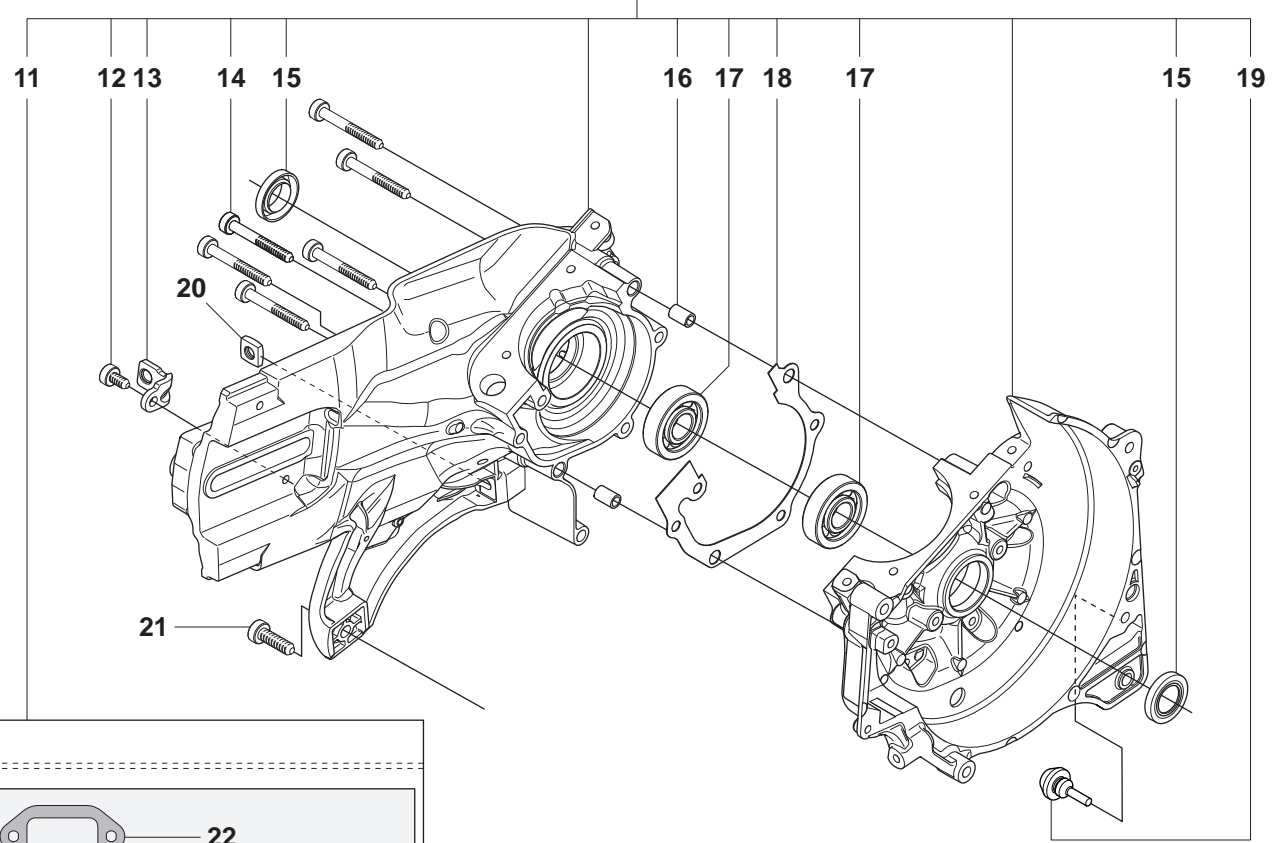
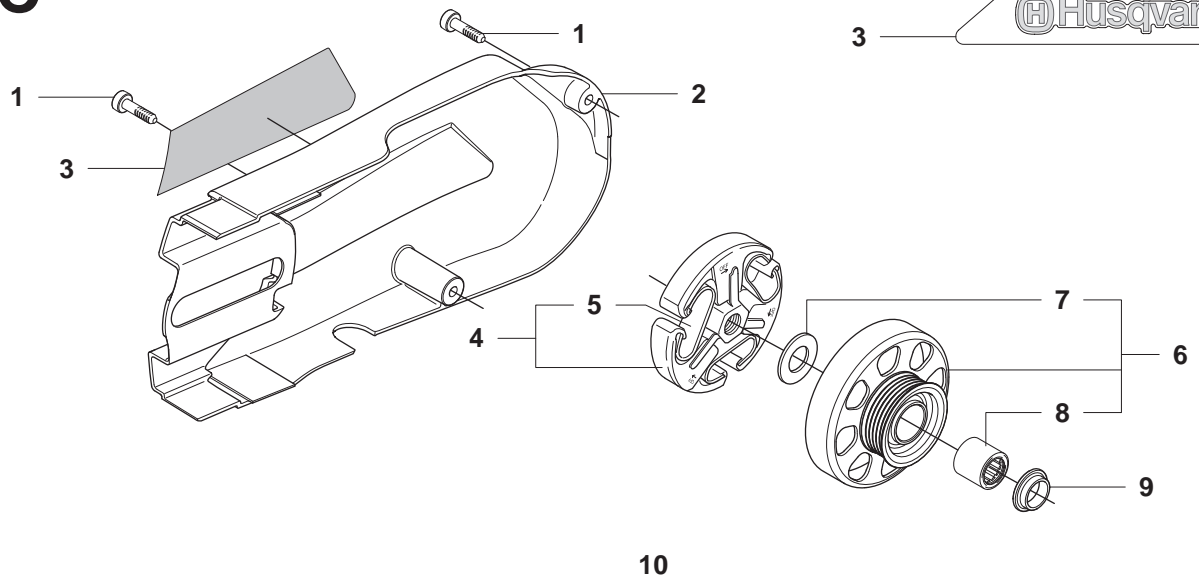


12

B K750

| Pos. | Compl No. | Part No. | Description | Qty. | Notes |
|------|-----------|--------------|----------------------|------|--------------------|
| 1 | | 506 34 05-02 | WHEEL GUARD ASSY | 1 | 12", Incl. 2, 3, 4 |
| 1 | | 506 34 05-04 | WHEEL GUARD ASSY | 1 | 14", Incl. 2, 3, 4 |
| 2 | | 725 53 31-05 | SCREW | 1 | |
| 3 | | 506 34 46-02 | HANDLE | 1 | |
| 4 | | 506 26 63-02 | LINING | 1 | |
| 5 | | 506 26 64-01 | SCREEN PATTERN FLANG | 1 | |
| 6 | | 506 26 65-01 | FLANGE | 1 | |
| 7 | | 725 53 29-55 | SCREW | 1 | |
| 8 | | 506 32 48-01 | SUPPORT FLANGE | 1 | |
| 9 | | 506 02 87-01 | WASHER | 2 | Diam 105 mm |
| 9 | | 506 07 09-01 | WASHER | 2 | Diam 119 mm |
| 10 | | 506 37 96-22 | BUSHING | 1 | Diam 20 mm |
| 10 | | 506 37 96-20 | BUSHING | 1 | Diam 22,2 mm |
| 10 | | 506 37 96-25 | BUSHING | 1 | Diam 25,4 mm |
| 10 | | 506 02 88-30 | BUSHING | 1 | Diam 30,5 mm |
| 11 | | 505 39 75-13 | INFORMATION LABEL | 1 | |
| 12 | | 506 28 41-04 | LABEL | 1 | 12", Diam 1" |
| 12 | | 506 28 41-02 | LABEL | 1 | 12", Diam 20 mm |
| 12 | | 506 28 41-14 | LABEL | 1 | 14", Diam 1" |
| 12 | | 506 28 41-12 | LABEL | 1 | 14", Diam 20 mm |

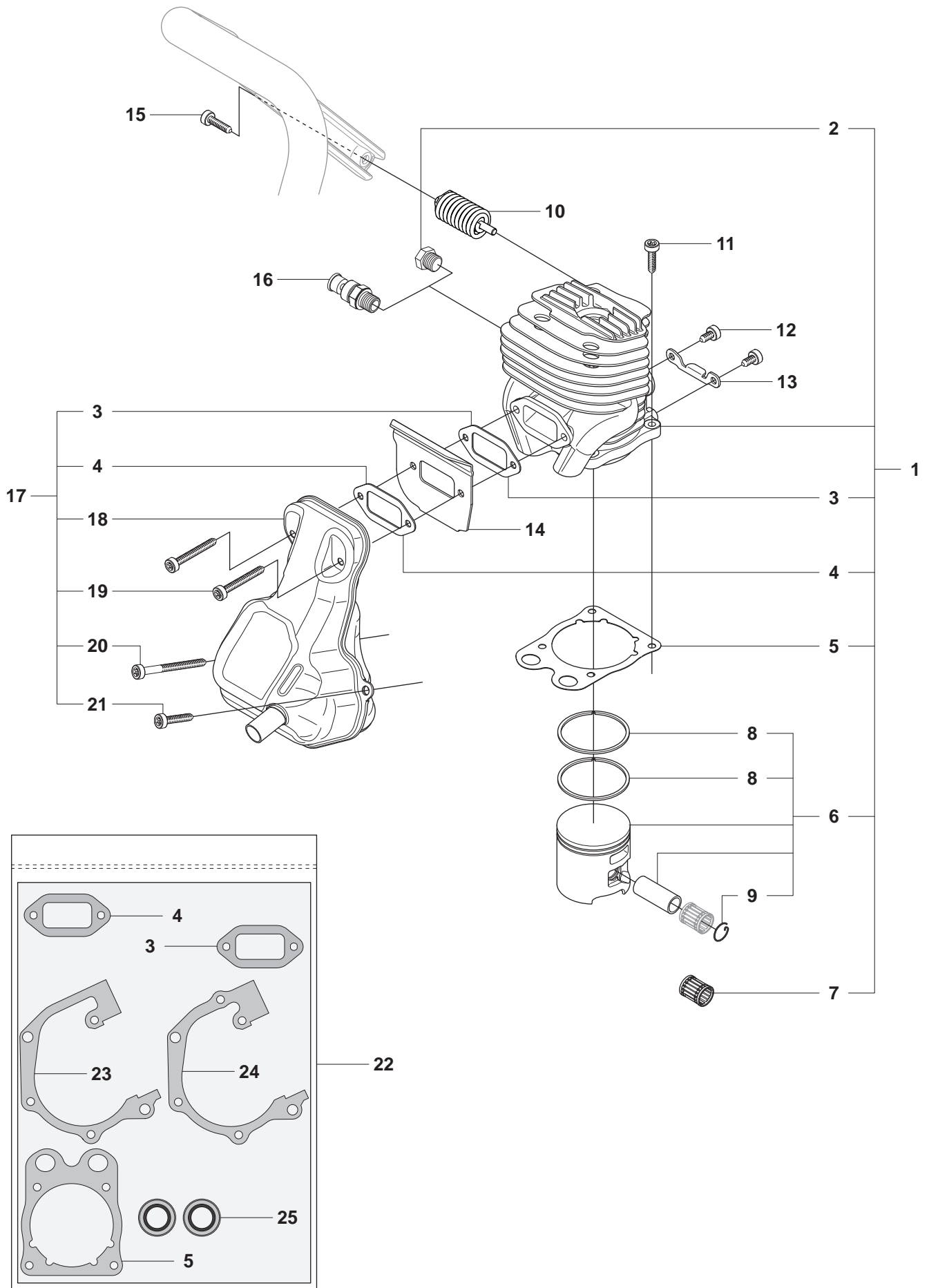
C K750



C K750

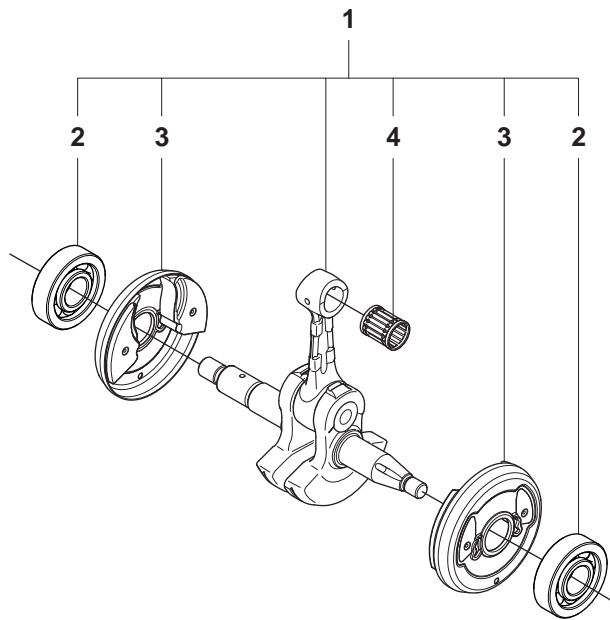
| Pos. | Compl No. | Part No. | Description | Qty. | Notes |
|------|-----------|--------------|----------------------|------|---------------------------------------------|
| 1 | | 503 21 53-21 | SCREW | 2 | |
| 2 | | 506 36 91-03 | BELT GUARD | 1 | |
| 3 | | 544 89 11-01 | LABEL | 1 | |
| 4 | | 503 74 44-04 | CLUTCH ASSY | 1 | Incl. 5 |
| 5 | | 503 74 43-01 | CLUTCH SPRING | 3 | |
| 6 | | 506 37 83-03 | CLUTCH WHEEL | 1 | Incl. 7, 8 |
| 7 | | 503 23 00-73 | WASHER STEEL | 1 | |
| 8 | | 505 30 24-15 | NEEDLE BEARING | 1 | |
| 9 | | 506 39 30-01 | WASHER | 1 | |
| 10 | | 544 88 90-02 | CRANKCASE ASSY | 1 | Incl. 11, 12, 13, 14, 15, 16, 17, 18, 19 |
| 11 | | 506 38 53-04 | GASKET KIT | 1 | |
| 12 | | 503 20 03-12 | SCREW | 1 | |
| 13 | | 544 00 78-01 | BRACKET | 1 | |
| 14 | | 503 21 53-41 | SCREW | 6 | |
| 15 | | 503 26 02-04 | SEALING RING | 2 | |
| 16 | | 501 27 08-01 | GUIDE BUSHING | 2 | |
| 17 | | 738 22 02-25 | BALL BEARING | 2 | |
| 18 | | 506 37 70-03 | GASKET CRANKCASE | 1 | 6 bolts crakcase |
| 19 | | 503 84 61-01 | BUFFER | 1 | |
| 20 | | 503 22 65-04 | NUT | 1 | |
| 21 | | 544 06 12-01 | SCREW | 1 | |
| 22 | | 506 41 23-01 | GASKET | 1 | |
| 23 | | 506 37 69-02 | GASKET MUFFLER | 1 | |
| 24 | | 506 37 70-02 | GASKET CRANKCASE | 1 | 5 bolts crakcase |
| 25 | | 506 37 67-02 | GASKET CYLINDER BASE | 1 | |

D K750



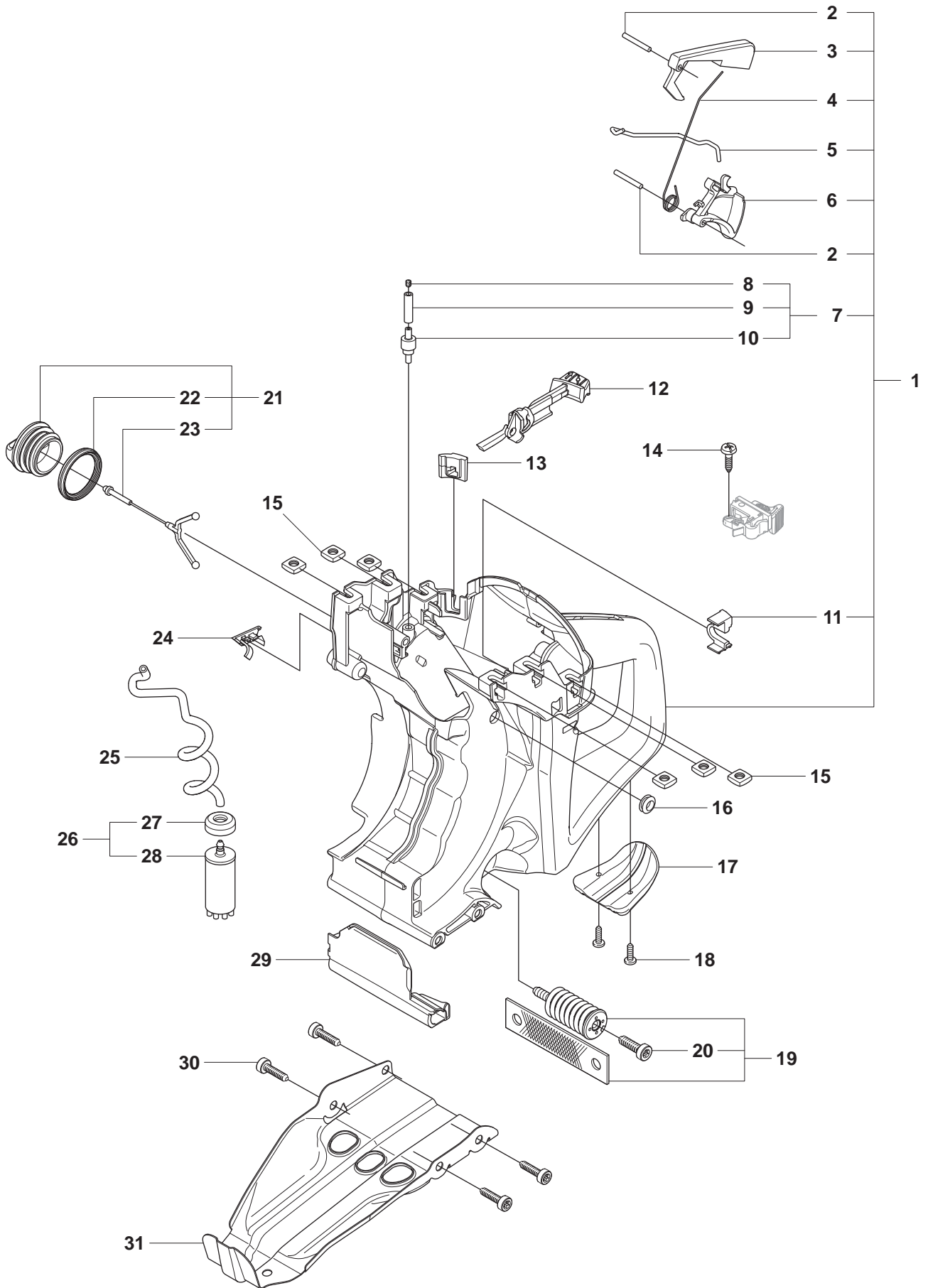
D K750

| Pos. | Compl No. | Part No. | Description | Qty. | Notes |
|------|-----------|--------------|----------------------|------|----------------------------|
| 1 | | 506 38 61-71 | CYLINDER ASSY | 1 | Incl. 2, 3, 4, 5, 6, 7 |
| 2 | | 503 55 22-01 | PLUG | 1 | |
| 3 | | 506 41 23-01 | GASKET | 1 | |
| 4 | | 506 37 69-02 | GASKET MUFFLER | 1 | |
| 5 | | 506 37 67-02 | GASKET CYLINDER BASE | 1 | |
| 6 | | 506 37 24-01 | PISTON ASSY | 1 | Incl. 8, 9 |
| 7 | | 503 25 56-01 | NEEDLE BEARING | 1 | |
| 8 | | 503 28 90-47 | PISTON RING | 2 | |
| 9 | | 737 43 12-00 | RETAINING | 2 | |
| 10 | | 506 38 91-02 | VIB.INSULATOR | 1 | |
| 11 | | 503 21 53-25 | SCREW | 4 | |
| 12 | | 503 21 53-16 | SCREW | 2 | |
| 13 | | 506 36 88-01 | BRACKET | 1 | |
| 14 | | 506 37 58-02 | COOLING PLATE | 1 | |
| 15 | | 503 21 54-20 | SCREW | 1 | |
| 16 | | 503 71 53-01 | DECOMPRESSION VALVE | 1 | |
| 17 | | 544 00 14-02 | MUFFLER KIT | 1 | Incl. 3, 4, 18, 19, 20, 21 |
| 18 | | 506 36 42-03 | MUFFLER | 1 | |
| 19 | | 503 21 53-41 | SCREW | 2 | |
| 20 | | 503 21 53-56 | SCREW | 1 | |
| 21 | | 503 21 53-21 | SCREW | 1 | |
| 22 | | 506 38 53-04 | GASKET KIT | 1 | Incl. 4, 5, 6, 23, 24, 25 |
| 23 | | 506 37 70-02 | GASKET CRANKCASE | 1 | 5 bolts crakcase |
| 24 | | 506 37 70-03 | GASKET CRANKCASE | 1 | 6 bolts crakcase |
| 25 | | 503 26 02-04 | SEALING RING | 2 | |



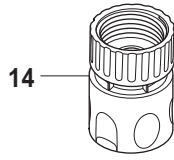
E K750

| Pos. | Compl No. | Part No. | Description | Qty. | Notes |
|-------------|------------------|-----------------|--------------------|-------------|---------------|
| 1 | | 506 37 10-71 | CRANKSHAFT ASSY | 1 | Incl. 2, 3, 4 |
| 2 | | 738 22 02-25 | BALL BEARING | 2 | |
| 3 | | 537 20 33-01 | CUP | 2 | |
| 4 | | 503 25 56-01 | NEEDLE BEARING | 1 | |

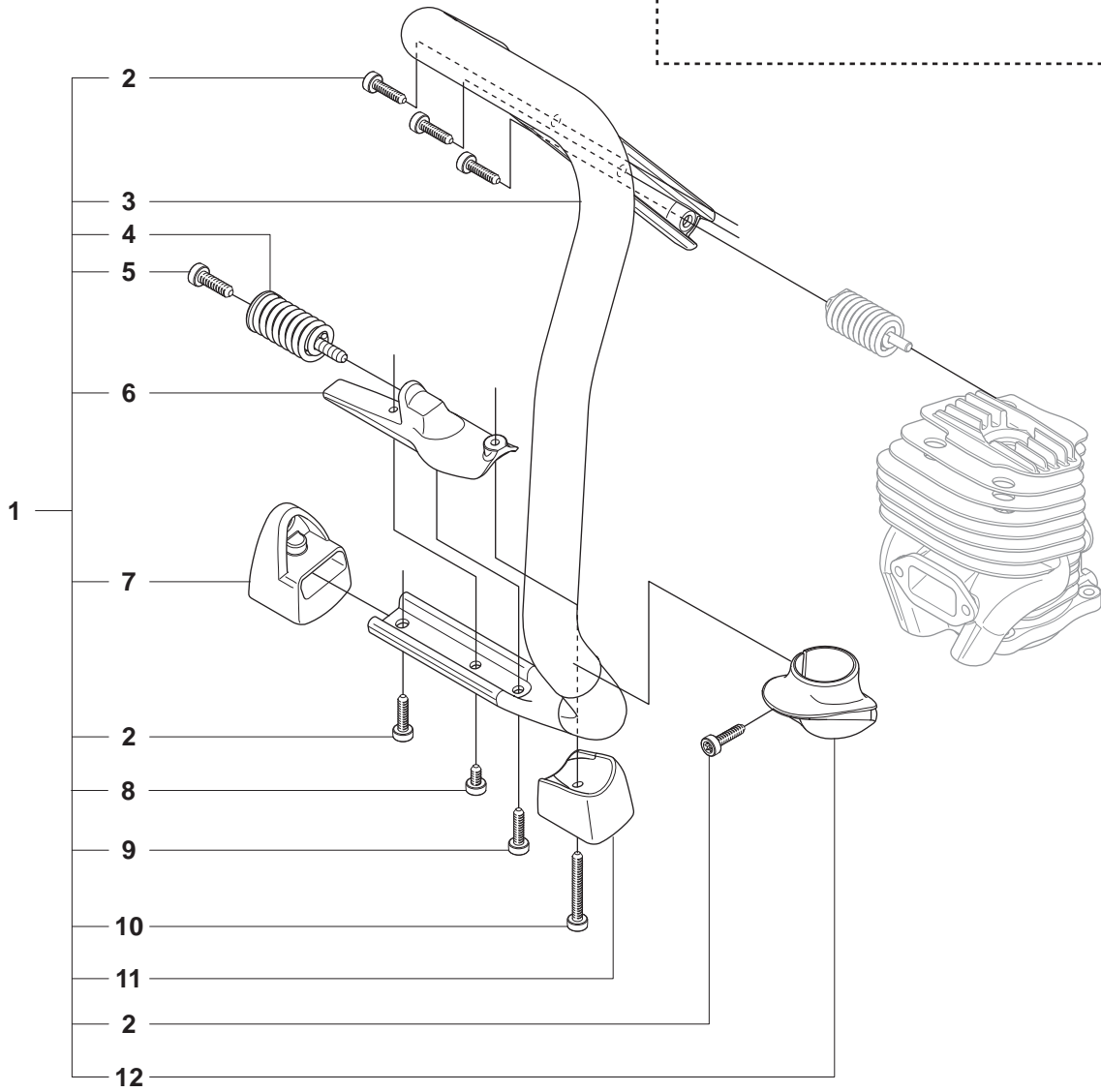
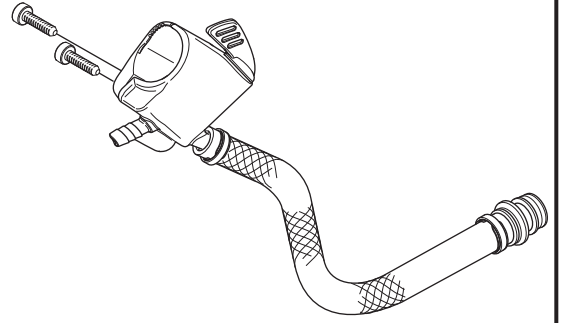


F K750

| Pos. | Compl No. | Part No. | Description | Qty. | Notes |
|------|-----------|--------------|------------------|------|----------------------------|
| 1 | | 506 38 65-12 | FUEL TANK | 1 | Incl. 2, 3, 4, 5, 6, 7, 11 |
| 2 | | 720 12 40-20 | PARALLEL PIN | 1 | |
| 3 | | 506 22 28-02 | THROTTLE LOCKOUT | 1 | |
| 4 | | 506 37 95-01 | SPRING | 1 | |
| 5 | | 506 37 13-01 | THROTTLE ROD | 1 | |
| 6 | | 506 37 20-03 | THROTTLE TRIGGER | 1 | |
| 7 | | 506 38 66-01 | TANK VENT ASSY | 1 | Incl. 8, 9, 10 |
| 8 | | 504 35 72-01 | FILTER PLUG | 1 | |
| 9 | | 501 76 83-28 | FUEL HOSE | 1 | |
| 10 | | 503 16 40-01 | TANK VENT | 1 | |
| 11 | | 544 39 32-01 | HOSE CLIP | 1 | |
| 12 | | 544 22 90-01 | CHOKE CONTROL | 1 | |
| 13 | | 506 37 80-01 | GROMMET | 1 | |
| 14 | | 503 21 28-06 | SCREW CCRPANT | 1 | |
| 15 | | 503 22 65-04 | NUT | 6 | |
| 16 | | 501 27 13-02 | CABLE GROMMET | 1 | |
| 17 | | 506 38 67-02 | GROUND SUPPORT | 1 | |
| 18 | | 503 21 45-16 | SCREW | 2 | |
| 19 | | 537 21 03-07 | AV-ELEMENT | 1 | Incl. 20 |
| 20 | | 544 06 12-01 | SCREW | 1 | |
| 21 | | 506 25 59-03 | TANK CAP ASSY | 1 | Incl. 22, 23 |
| 22 | | 506 29 21-01 | GASKET | 1 | |
| 23 | | 503 57 89-01 | HOLDER | 1 | |
| 24 | | 506 39 46-01 | CAP | 1 | |
| 25 | | 503 57 76-03 | FUEL HOSE | 1 | |
| 26 | | 506 26 41-11 | FUEL FILTER | 1 | Incl. 27, 28 |
| 27 | | 506 27 11-01 | HOSE CLAMP | 1 | |
| 28 | | 506 26 41-01 | FUEL FILTER | 1 | |
| 29 | | 506 38 15-01 | HEAT SHIELD | 1 | |
| 30 | | 503 21 54-20 | SCREW | 4 | |
| 31 | | 506 37 19-02 | BASE PLATE | 1 | |



13



G K750

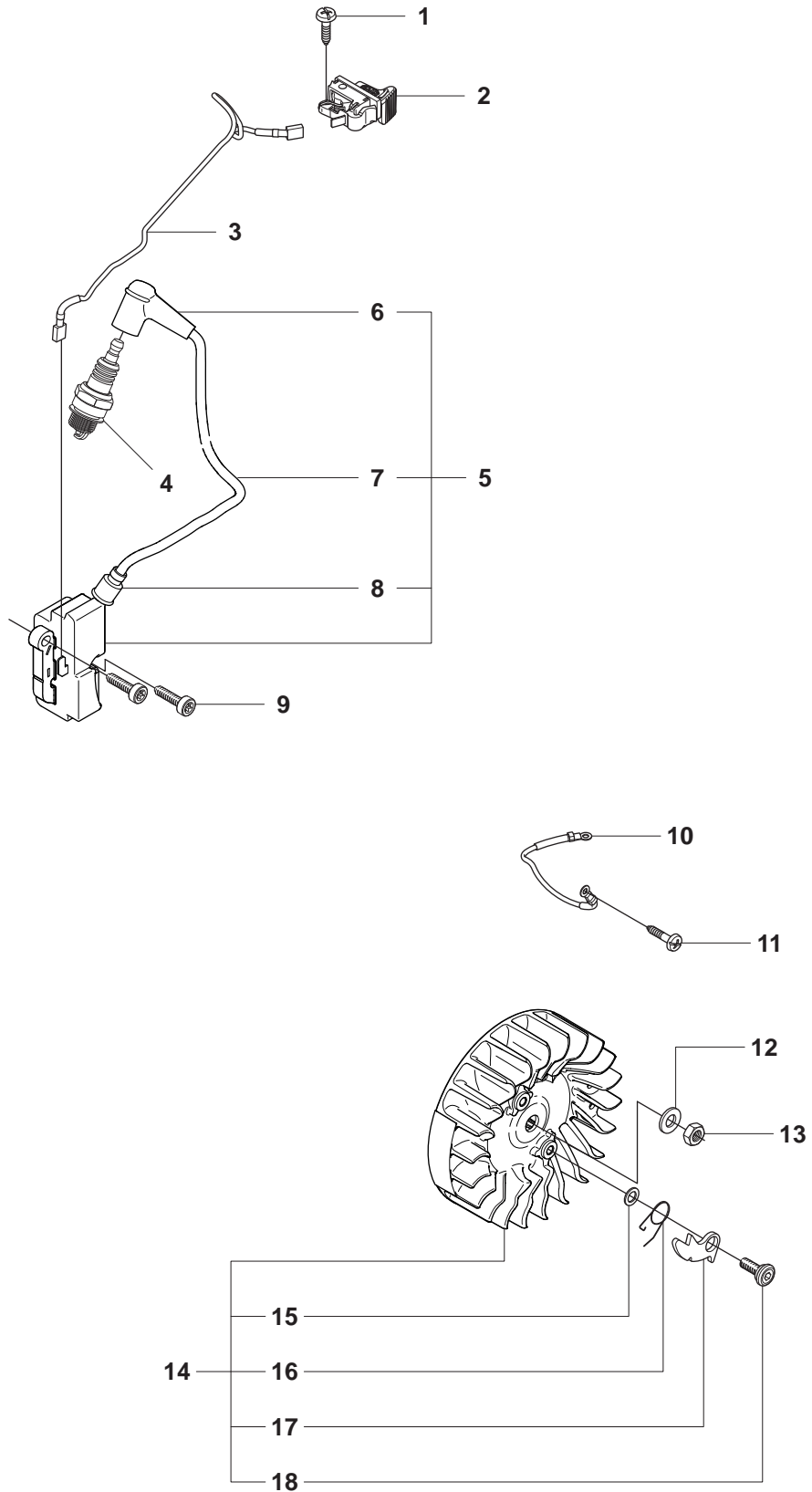
| Pos. | Compl No. | Part No. | Description | Qty. | Notes |
|------|-----------|--------------|-----------------|------|-------------------------------------------------|
| 1 | | 506 38 58-02 | HANDLE | 1 | Incl. 2, 3, 4, 5, 6, 7, 8, 9, 10, 11, 12, 13 |
| 2 | | 503 21 54-20 | SCREW | 5 | |
| 3 | | 506 37 11-03 | FRONT HANDLE | 1 | |
| 4 | | 537 21 03-08 | AV-ELEMENT | 1 | |
| 5 | | 544 06 12-01 | SCREW | 1 | |
| 6 | | 506 37 72-02 | SPRING RETAINER | 1 | |
| 7 | | 506 37 55-02 | GROUND SUPPORT | 1 | |
| 8 | | 503 21 53-16 | SCREW | 1 | |
| 9 | | 503 21 53-21 | SCREW | 1 | |
| 10 | | 503 21 53-40 | SCREW | 1 | |
| 11 | | 506 37 56-02 | GROUND SUPPORT | 1 | |
| 12 | | 506 38 71-02 | STOP | 1 | |
| 13 | | 506 38 59-04 | HOSE | 1 | |
| 14 | | 503 26 60-02 | COUPLER | 1 | |

H K750

| Pos. | Compl No. | Part No. | Description | Qty. | Notes |
|------|-----------|--------------|--------------------|------|-----------------------------------------------------|
| 1 | | 506 38 56-12 | STARTER | 1 | Incl. 2, 3, 4, 5, 6, 7, 8, 9, 10, 11, 12, 13, 14 |
| 2 | | 503 21 67-22 | SCREW | 1 | |
| 3 | | 740 43 13-00 | O-RING | 1 | |
| 4 | | 506 25 14-01 | GROMMET | 1 | |
| 5 | | 506 26 31-01 | SPACING SLEEVE | 1 | |
| 6 | | 506 25 30-01 | COMPRESSION SPRING | 1 | |
| 7 | | 506 25 81-02 | STARTER PULLEY | 1 | |
| 8 | | 503 21 28-10 | SCREW | 2 | |
| 9 | | 506 25 89-01 | RECOIL SPRING | 1 | |
| 10 | | 506 33 56-15 | STARTER CORD | 1 | |
| 10 | | 506 33 56-50 | STARTER CORD | 1 | 50m Coil |
| 11 | | 503 12 79-01 | STARTER HANDLE | 1 | |
| 12 | | 506 36 92-03 | STARTER COVER | 1 | |
| 13 | | 503 21 53-21 | SCREW | 4 | |
| 14 | | 544 89 08-01 | LABEL | 1 | |
| 15 | | 544 38 39-01 | AIR CONDUCTOR | 1 | |

J

K750

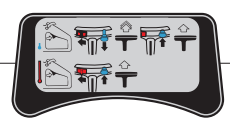
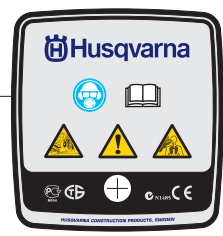
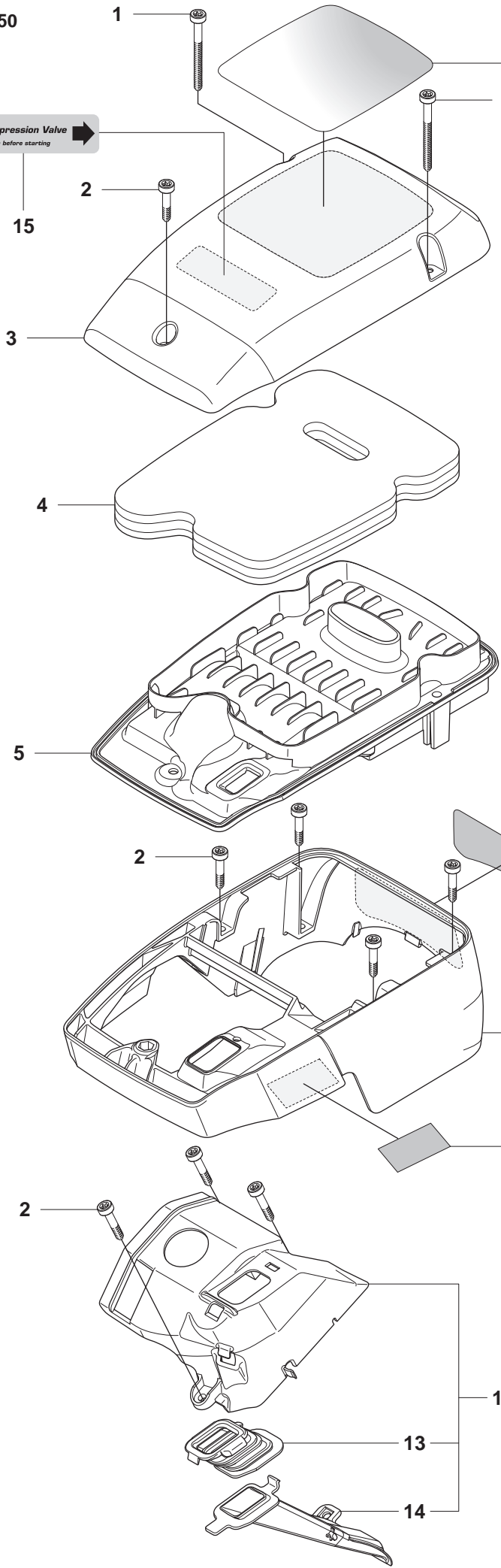


J K750

| Pos. | Compl No. | Part No. | Description | Qty. | Notes |
|------|-----------|--------------|-----------------|------|----------------------|
| 1 | | 503 21 28-06 | SCREW | 1 | |
| 2 | | 506 31 86-02 | STOP SWITCH | 1 | |
| 3 | | 506 37 84-02 | CABLE | 1 | |
| 4 | | 503 23 51-09 | SPARK PLUG | 1 | RCJ 6 Y |
| 5 | | 544 04 75-02 | IGNITION MODULE | 1 | Incl. 6, 7, 8 |
| 6 | | 501 48 54-02 | SPARK PLUG CAP | 1 | |
| 7 | | 506 38 78-34 | IGNITION CABLE | 1 | |
| 8 | | 505 27 75-16 | INSULATING CUP | 1 | |
| 9 | | 503 21 53-20 | SCREW | 2 | |
| 10 | | 506 37 85-01 | CABLE | 1 | |
| 11 | | 503 21 28-10 | SCREW | 1 | |
| 12 | | 503 23 01-01 | WASHER STEEL | 1 | |
| 13 | | 503 22 10-11 | NUT | 1 | |
| 14 | | 506 27 27-10 | FLYWHEEL | 1 | Incl. 15, 16, 17, 18 |
| 15 | | 503 23 00-42 | WASHER STEEL | 2 | |
| 16 | | 501 63 48-01 | SPRING | 2 | |
| 17 | | 501 67 32-03 | PAWL | 2 | |
| 18 | | 501 81 99-01 | SCREW | 2 | |

K K750

Decompression Valve
Push before starting

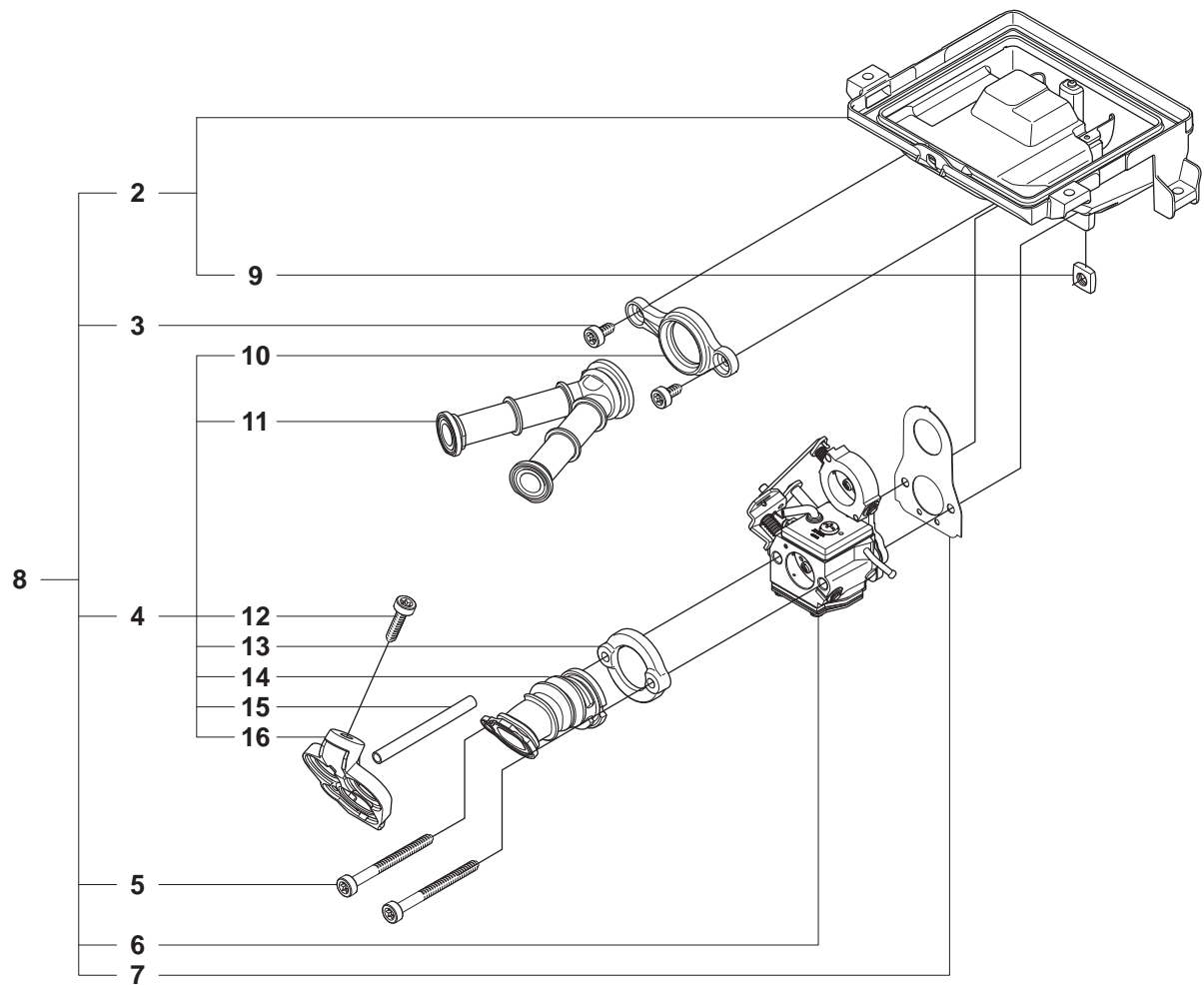
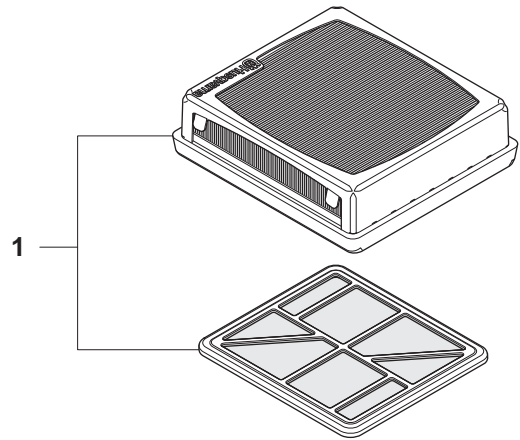


K K750

| Pos. | Compl No. | Part No. | Description | Qty. | Notes |
|------|-----------|--------------|---------------------|------|--------------|
| 1 | | 503 21 53-56 | SCREW | 2 | |
| 2 | | 503 21 53-21 | SCREW | 8 | |
| 3 | | 506 36 68-02 | FILTER COVER | 1 | |
| 4 | | 506 36 71-01 | PREFILTER | 1 | |
| 5 | | 506 36 69-02 | FILTER BOTTOM | 1 | |
| 6 | | 544 87 44-02 | LABEL | 1 | CE |
| 7 | | 544 87 44-01 | LABEL | 1 | EPA USA |
| 8 | | 544 87 44-03 | LABEL | 1 | EPA Canada |
| 9 | | 506 39 84-02 | CYLINDER COVER ASSY | 1 | Incl. 10, 11 |
| 10 | | 544 89 09-01 | LABEL | 1 | |
| 11 | | 544 89 10-01 | LABEL | 1 | |
| 12 | | 506 38 62-01 | COVER | 1 | Incl. 13, 14 |
| 13 | | 506 37 04-01 | BELLOWS | 1 | |
| 14 | | 506 37 03-01 | AIR NOZZLE | 1 | |



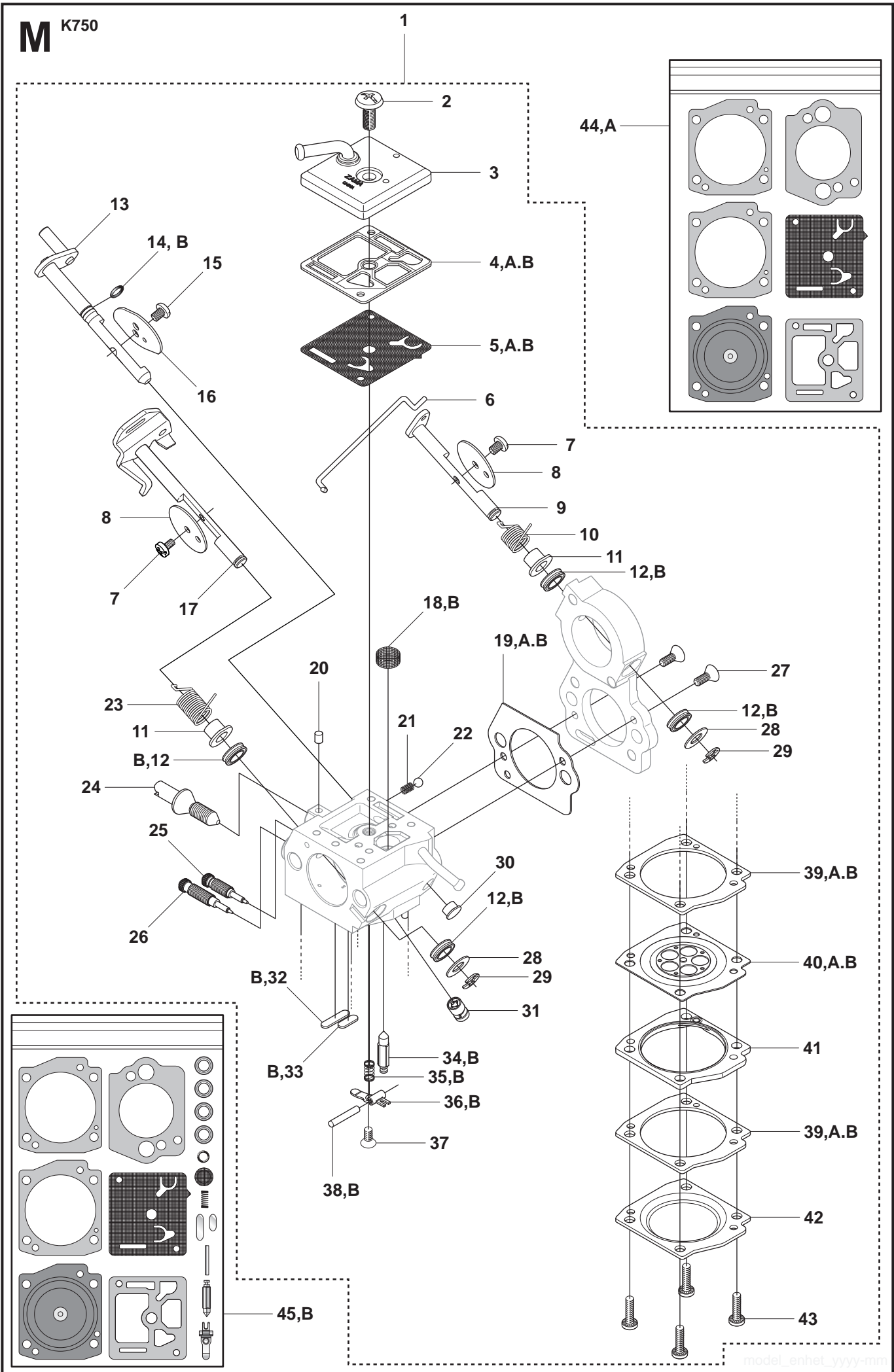
K750





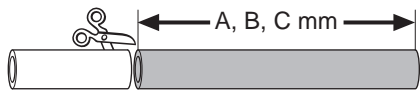
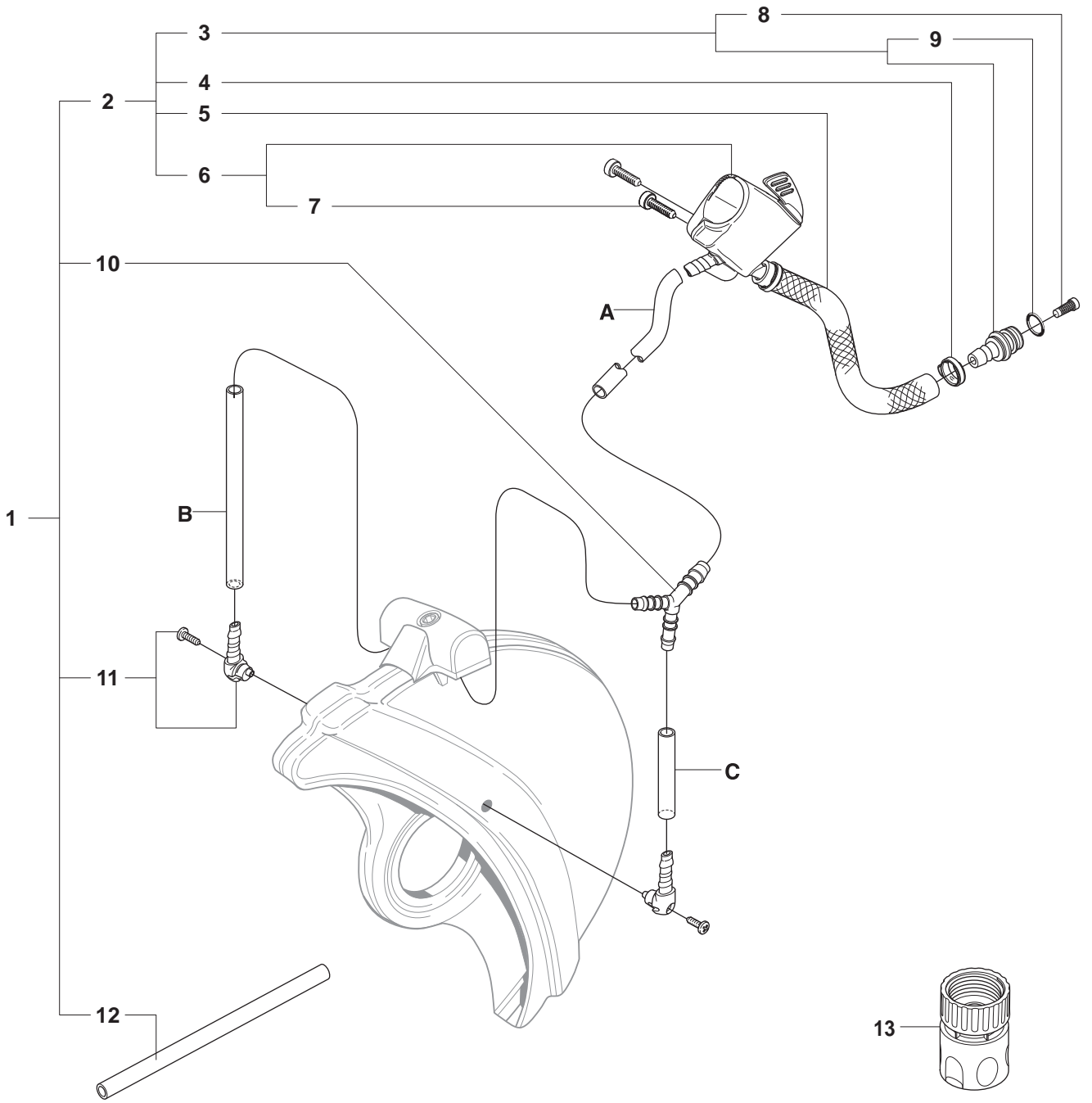
K750

| Pos. | Compl No. | Part No. | Description | Qty. | Notes |
|------|-----------|--------------|---------------------|------|----------------------------------|
| 1 | | 544 18 16-02 | FILTER | 1 | |
| 2 | | 506 39 32-02 | CARBURETTOR BRACKET | 1 | Incl. 9 |
| 3 | | 503 21 53-10 | SCREW | 2 | |
| 4 | | 506 38 64-01 | INLET PIPE | 1 | Incl. 10, 11, 12, 13, 14, 15, 16 |
| 5 | | 503 21 53-56 | SCREW | 2 | |
| 6 | | 503 28 32-09 | CARBURETTOR | 1 | Zama C3-EL29 |
| 7 | | 506 37 68-02 | GASKET CARBURETTOR | 1 | |
| 8 | | 506 38 55-05 | CARBURETTOR BRACKET | 1 | Incl. 2, 3, 4, 5, 6, 7 |
| 9 | | 503 22 65-04 | NUT | 4 | |
| 10 | | 506 37 06-01 | FLANGE INLET PIPE | 1 | |
| 11 | | 506 36 98-01 | INLET PIPE | 1 | |
| 12 | | 503 21 53-20 | SCREW | 1 | |
| 13 | | 506 37 05-01 | FLANGE INLET PIPE | 1 | |
| 14 | | 506 36 97-01 | INLET PIPE | 1 | |
| 15 | | 503 40 06-09 | IMPULSE HOSE | 1 | |
| 16 | | 506 39 52-01 | PLATE | 1 | |



M K750

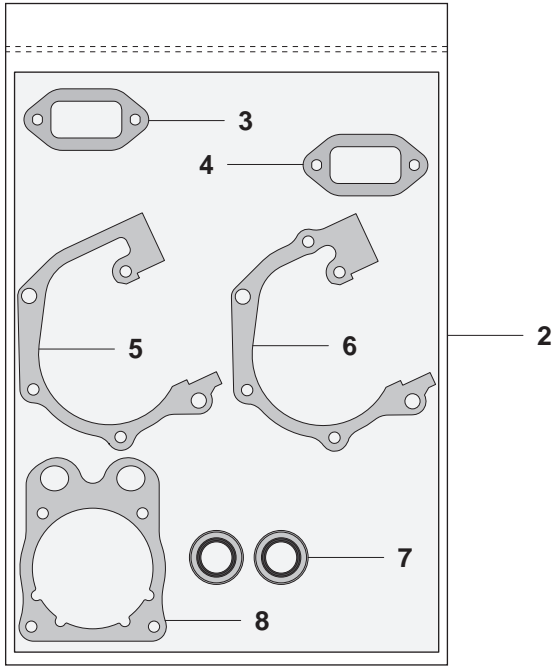
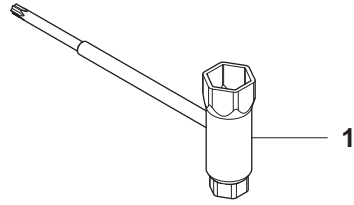
| Pos. | Compl No. | Part No. | Description | Qty. | Notes |
|------|-----------|--------------|---------------------|------|-------------------------------------------------------|
| 1 | | 503 28 32-09 | CARBURETTOR | 1 | Zama C3-EL29, Incl. 2 - 43 |
| 2 | | 503 47 96-01 | SCREW | 1 | |
| 3 | | 544 83 64-01 | PUMP COVER | 1 | |
| 4 | | 503 61 66-01 | GASKET PUMP | 1 | |
| 5 | | 506 39 60-01 | DIAPHRAGM PUMP | 1 | |
| 6 | | 506 39 65-01 | ROD | 1 | |
| 7 | | 544 08 22-01 | SCREW | 2 | |
| 8 | | 537 17 70-01 | VALVE | 2 | |
| 9 | | 506 39 71-01 | SHAFT ASSY | 1 | |
| 10 | | 506 39 75-01 | SPRING | 1 | |
| 11 | | 506 39 54-01 | COLLAR | 2 | |
| 12 | | 506 39 64-01 | QUAD RING | 4 | |
| 13 | | 506 39 73-01 | SHAFT ASSY CHOKE | 1 | |
| 14 | | 506 39 90-01 | O-RING | 1 | |
| 15 | | 503 48 18-01 | SCREW | 1 | |
| 16 | | 506 39 78-01 | VALVE | 1 | |
| 17 | | 506 39 74-01 | SHAFT ASSY | 1 | |
| 18 | | 503 53 57-01 | STRAINER | 1 | |
| 19 | | 506 39 58-01 | GASKET | 1 | |
| 20 | | 503 48 11-01 | PIECE | 1 | |
| 21 | | 537 01 26-01 | SPRING | 1 | |
| 22 | | 537 01 25-01 | BALL | 1 | |
| 23 | | 544 83 65-01 | SPRING | 1 | |
| 24 | | 506 39 72-01 | SCREW | 1 | |
| 25 | | 506 39 70-01 | SCREW | 1 | |
| 26 | | 506 39 69-01 | SCREW | 1 | |
| 27 | | 537 38 51-01 | SCREW | 2 | |
| 28 | | 506 39 79-01 | WASHER | 2 | |
| 29 | | 537 38 52-01 | E-CLIP | 2 | |
| 30 | | 506 39 91-01 | PLUG | 1 | |
| 31 | | 506 39 61-01 | NOZZLE ASSY | 1 | |
| 32 | | 503 53 56-01 | PLUG WELCH | 1 | |
| 33 | | 537 17 78-01 | PLUG | 1 | |
| 34 | | 537 17 62-01 | VALVE | 1 | |
| 35 | | 537 27 34-01 | SPRING | 1 | |
| 36 | | 537 17 64-01 | LEVER | 1 | |
| 37 | | 544 08 21-01 | SCREW | 1 | |
| 38 | | 503 48 00-01 | PIN RETAINING SCREW | 1 | |
| 39 | | 506 39 62-01 | GASKET | 2 | |
| 40 | | 506 39 57-01 | DIAPHRAGM ASSY | 1 | |
| 41 | | 506 39 55-01 | COVER | 1 | |
| 42 | | 506 39 56-01 | COVER | 1 | |
| 43 | | 506 39 66-01 | SCREW | 4 | |
| 44 | | 506 40 99-01 | GASKET KIT | 1 | Incl. 4, 5, 19, 39, 40 |
| 45 | | 506 41 00-01 | GASKET KIT CARB | 1 | Incl. 4, 5, 12, 14, 32, 33, 34, 35, 36, 38, 39, 40 |



| Product | A (mm) | B (mm) | C (mm) |
|----------|--------|--------|--------|
| K750 12" | 240 | 240 | 45 |
| K750 14" | 240 | 280 | 45 |

N K750

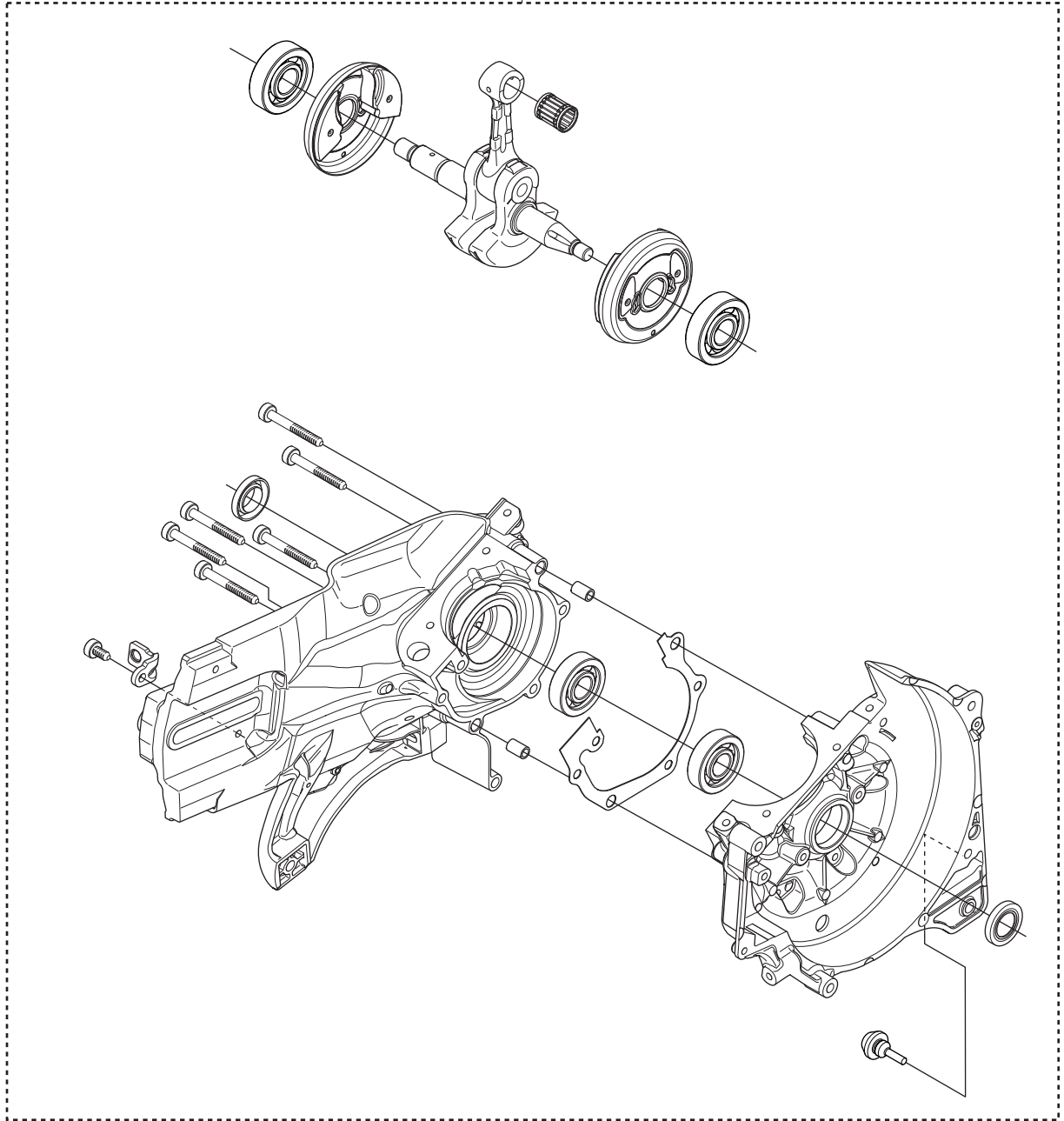
| Pos. | Compl No. | Part No. | Description | Qty. | Notes |
|------|-----------|--------------|----------------|------|---------------------|
| 1 | | 544 00 31-02 | WATER HOSE KIT | 1 | Incl. 2, 10, 11, 12 |
| 2 | | 506 38 59-04 | HOSE | 1 | Incl. 3, 4, 5, 6 |
| 3 | | 506 29 57-02 | NIPPLE | 1 | Incl. 8, 9 |
| 4 | | 506 09 56-06 | HOSE CLAMP | 2 | |
| 5 | | 506 09 75-02 | HOSE | 1 | L=230 mm |
| 6 | | 506 38 60-12 | VALVE ASSY | 1 | Incl. 7 |
| 7 | | 503 21 54-20 | SCREW | 2 | |
| 8 | | 506 29 88-01 | FILTER | 1 | |
| 9 | | 503 26 30-21 | O-RING | 1 | |
| 10 | | 506 32 87-01 | Y-TUBE | 1 | |
| 11 | | 506 29 56-01 | NIPPLE | 2 | |
| 12 | | 506 09 58-24 | HOSE | 1 | 800 mm |
| 13 | | 503 26 60-01 | COUPLER | 1 | |



P K750

| Pos. | Compl No. | Part No. | Description | Qty. | Notes |
|-------------|------------------|-----------------|---------------------|-------------|------------------------|
| 1 | | 506 38 26-01 | COMBINATION TOOL | 1 | |
| 2 | | 506 38 53-04 | GASKET KIT | 1 | Incl. 3, 4, 5, 6, 7, 8 |
| 3 | | 506 41 23-01 | GASKET | 1 | |
| 4 | | 506 37 69-02 | GASKET MUFFLER | 1 | |
| 5 | | 506 37 70-02 | GASKET CRANKCASE | 1 | 5 bolts crakcase |
| 6 | | 506 37 70-03 | GASKET CRANKCASE | 1 | 6 bolts crakcase |
| 7 | | 506 37 67-02 | GASKET CYLINDERBASE | 1 | |
| 8 | | 503 26 02-04 | SEALING RING | 2 | |

1

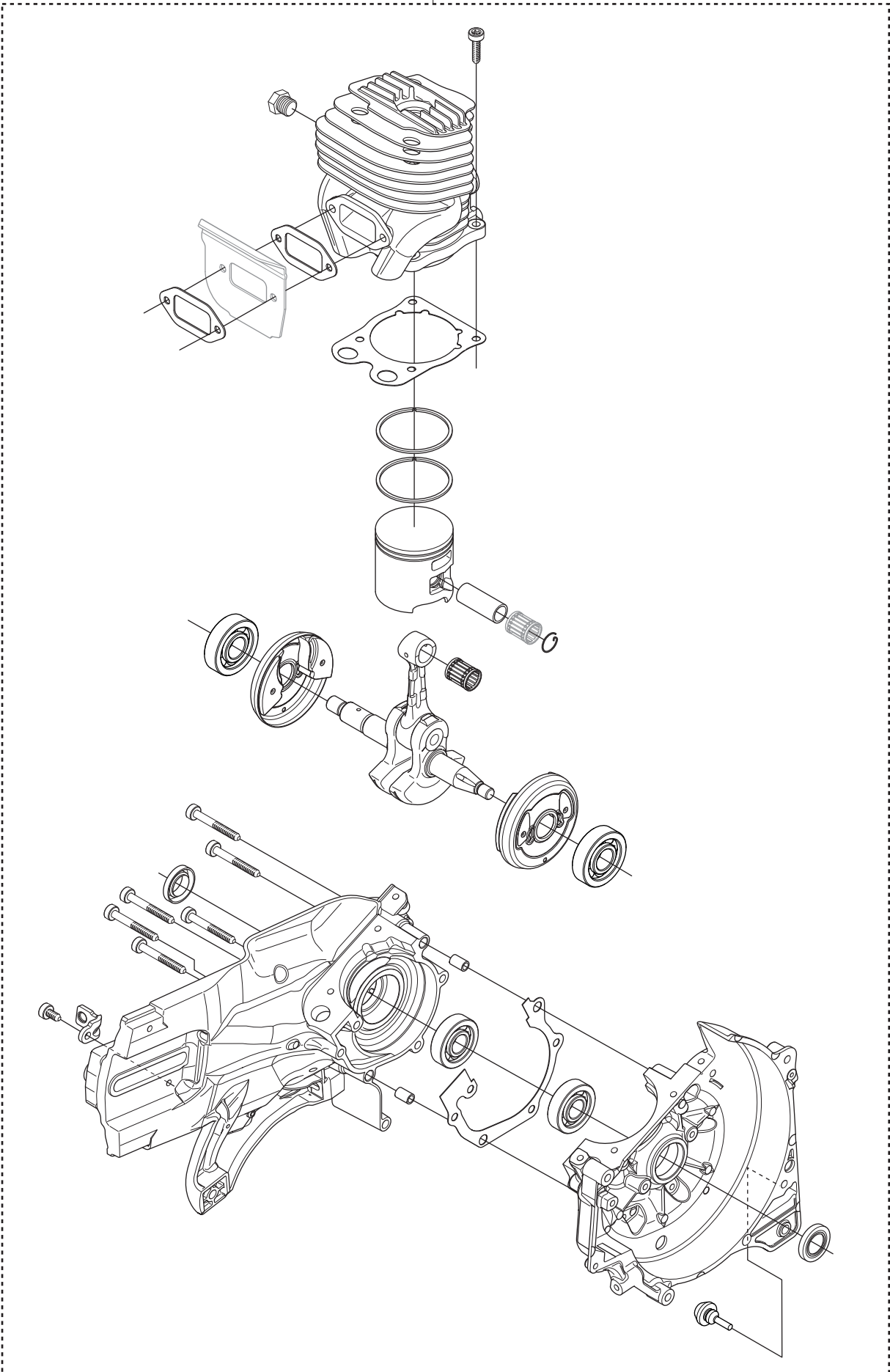


Q

K750

| Pos. | Compl No. | Part No. | Description | Qty. | Notes |
|------|-----------|--------------|----------------|------|-------|
| 1 | | 544 88 90-03 | CRANKCASE ASSY | 1 | |

1



R K750

| Pos. | Compl No. | Part No. | Description | Qty. | Notes |
|------|-----------|--------------|----------------|------|-------|
| 1 | | 544 88 90-04 | CRANKCASE ASSY | 1 | |

Free Manuals Download Website

<http://myh66.com>

<http://usermanuals.us>

<http://www.somanuals.com>

<http://www.4manuals.cc>

<http://www.manual-lib.com>

<http://www.404manual.com>

<http://www.luxmanual.com>

<http://aubethermostatmanual.com>

Golf course search by state

<http://golfingnear.com>

Email search by domain

<http://emailbydomain.com>

Auto manuals search

<http://auto.somanuals.com>

TV manuals search

<http://tv.somanuals.com>