



Husqvarna[®]

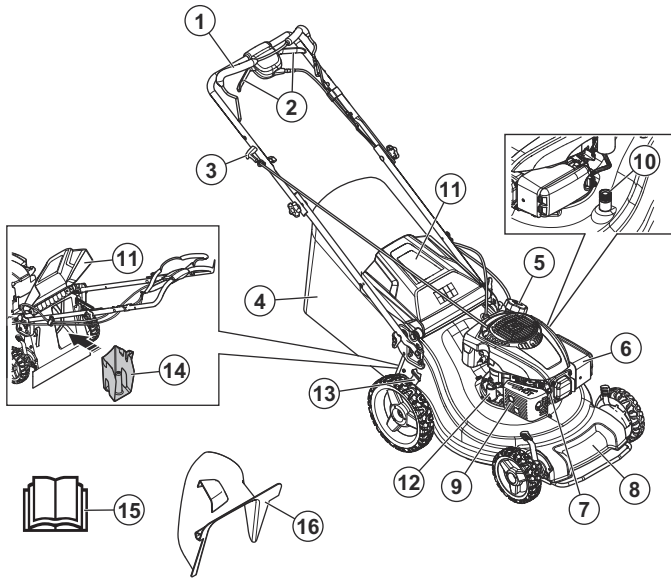


LC 353AWD

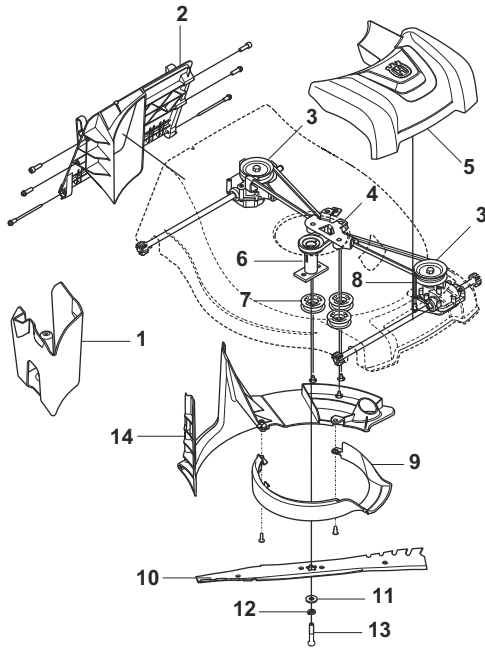
EN Operator's manual
JA 取扱説明書
KO 사용자 설명서

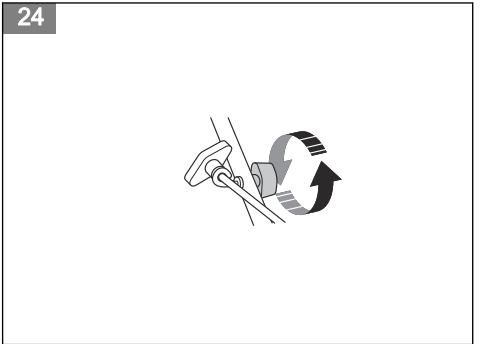
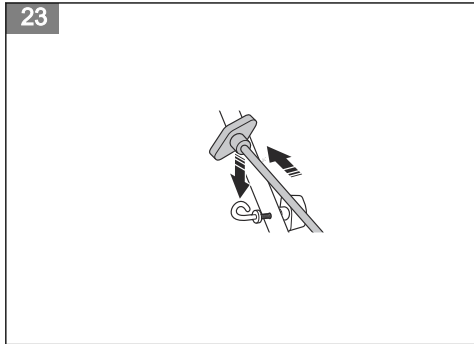
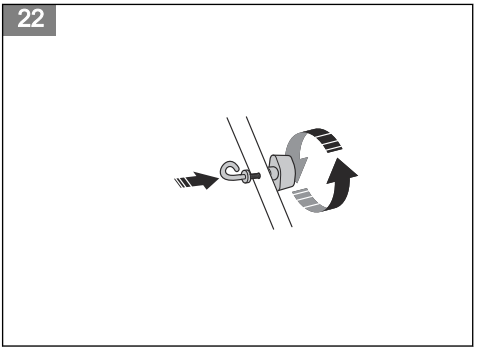
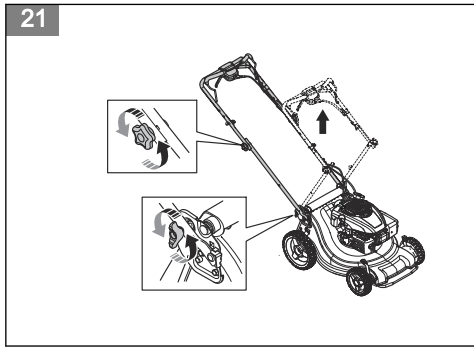
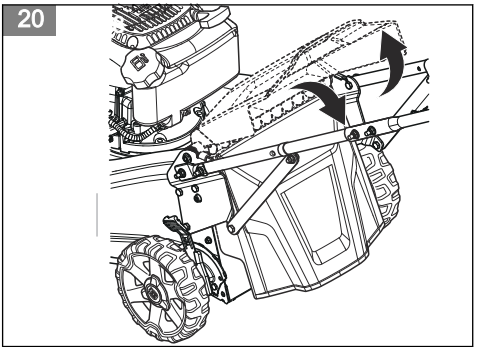
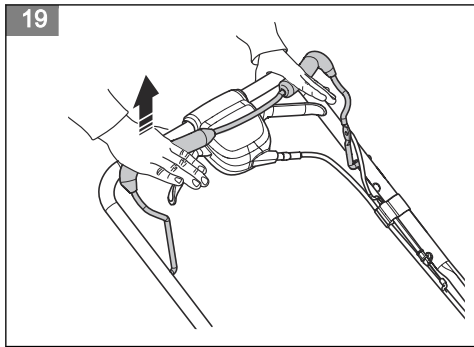
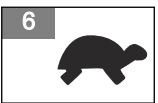
8-20
21-33
34-46

1

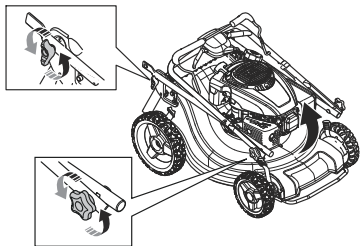


2

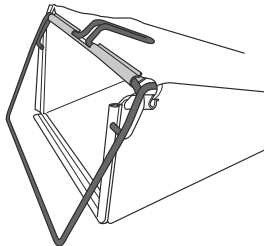




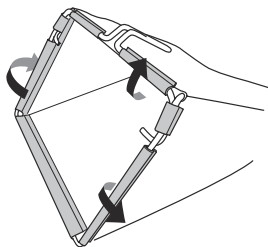
25



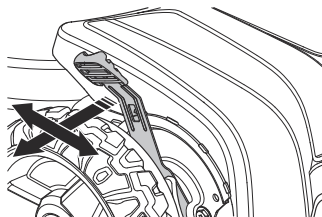
26



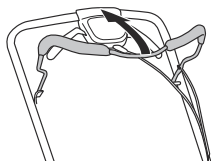
27



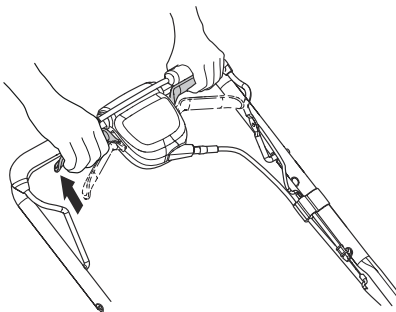
28



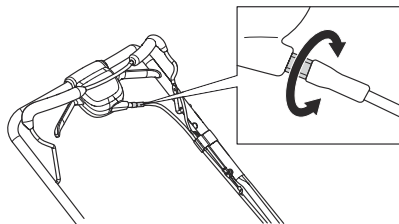
29



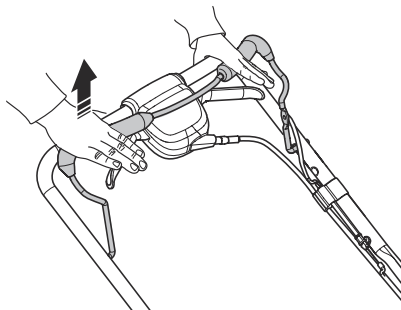
30



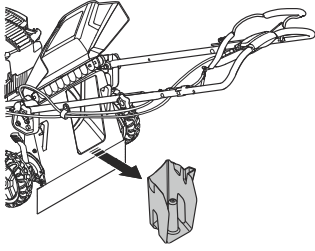
31



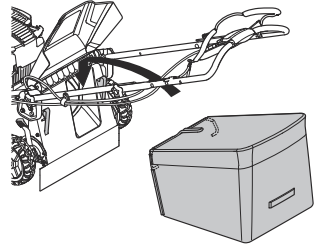
32



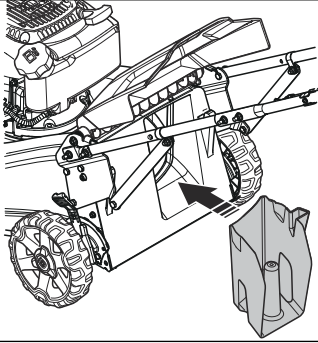
33



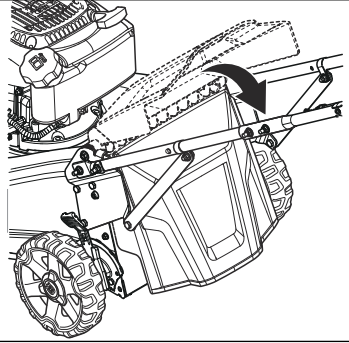
34



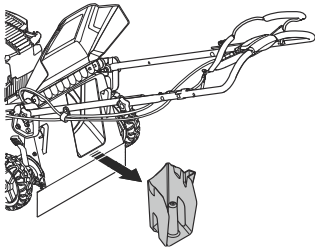
35



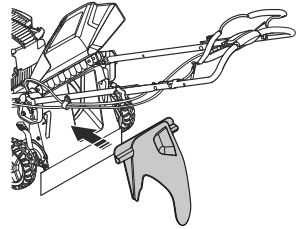
36



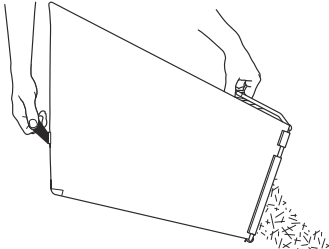
37



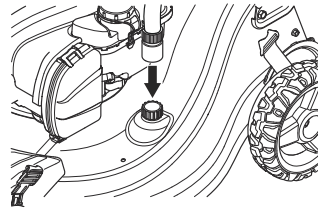
38



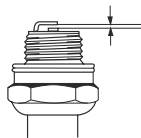
39



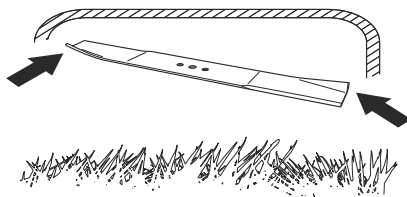
40



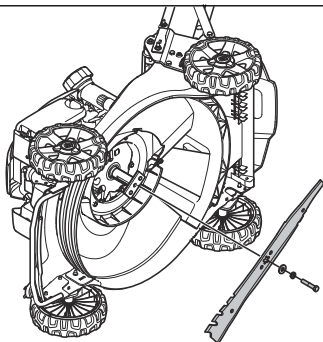
41



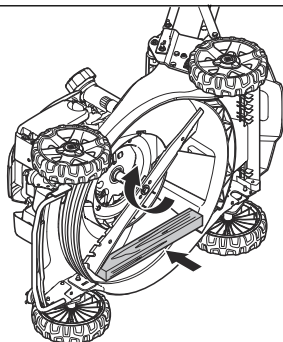
42



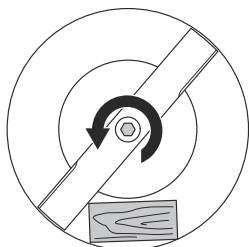
43



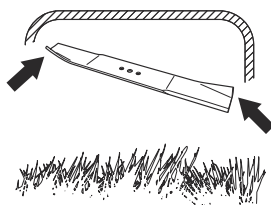
44



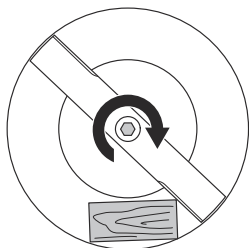
45



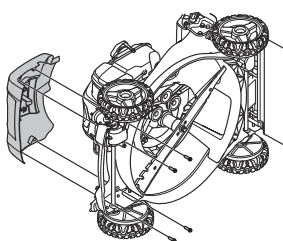
46



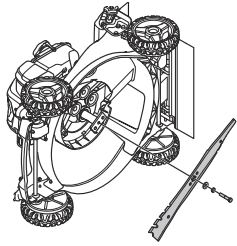
47



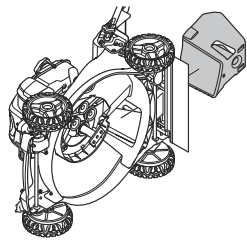
48



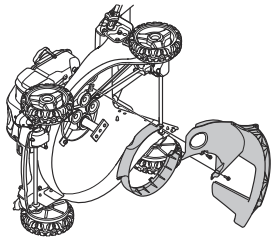
49



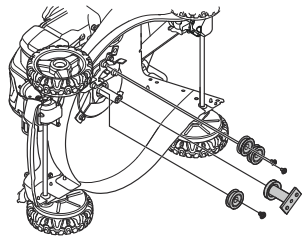
50



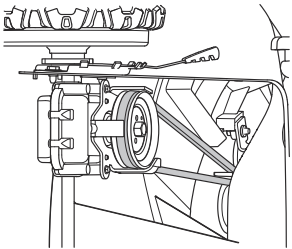
51



52



53



Contents

Introduction.....	8	Troubleshooting.....	17
Safety.....	9	Transportation, storage and disposal.....	18
Assembly.....	12	Technical data.....	19
Operation.....	12	Contents of the EC declaration of conformity.....	20
Maintenance.....	14		

Introduction

Product description

The product is a combustion engine-powered pedestrian-controlled lawn mower. The grass is collected in a grass catcher. Remove the grass catcher to get rear discharge of the grass. Attach a mulch kit to cut the grass into fertilizer.

Product overview

(Fig. 1)

1. Engine brake handle
2. Drive levers
3. Starter rope handle
4. Grass catcher
5. Fuel tank cap
6. Air filter
7. Spark plug
8. Drive cover
9. Muffler
10. Water hose connection
11. Rear deflector
12. Dipstick / oil tank
13. Cutting height control
14. Mulch plug
15. Operator's manual
16. Discharge chute

Symbols on the product

- (Fig. 3) **WARNING:** This product can be dangerous and cause serious injury or death to the operator or others. Be careful and use the product correctly.
- (Fig. 4) Read the operator's manual carefully and make sure that you understand the instructions before you use the product.
- (Fig. 5) Fast
- (Fig. 6) Slow
- (Fig. 7) Keep hands and feet away from the rotating part.

Intended use

Use the product to cut grass in private gardens. Do not use the product for other tasks.

- (Fig. 8) Keep persons and animals at safe distance from the work area.
- (Fig. 9) Be careful when you operate the product rearward. Look behind and down for small children, animals or other risks that can cause you to fall.
- (Fig. 10) To operate the product on a slope can be dangerous.
- (Fig. 11) Keep hands and feet away from the rotating blade.
- (Fig. 12) Look out for thrown objects and ricochets.
- (Fig. 13) Noise emission to the environment according to the European Community's Directive. The product's emission is specified in *Technical data on page 19* and on the label.
- (Fig. 14) This product is in accordance with applicable EC directives.
- (Fig. 15) The product agrees with the applicable EAC directives.
- (Fig. 16) The product agrees with applicable RCM directives. Applies to AU/NZ only.
- (Fig. 17) The product agrees with the applicable Ukraine directives.
- (Fig. 18) Use approved hearing protection.

Note: Other symbols/decals on the product refer to certification requirements for other commercial areas.

Euro V Emissions



WARNING: Tampering with the engine voids the EU type-approval of this product.

Product liability

As referred to in the product liability laws, we are not liable for damages that our product causes if:

- the product is incorrectly repaired.
- the product is repaired with parts that are not from the manufacturer or not approved by the manufacturer.
- the product has an accessory that is not from the manufacturer or not approved by the manufacturer.
- the product is not repaired at an approved service center or by an approved authority.

Safety

Safety definitions

Warnings, cautions and notes are used to point out specially important parts of the manual.



WARNING: Used if there is a risk of injury or death for the operator or bystanders if the instructions in the manual are not obeyed.



CAUTION: Used if there is a risk of damage to the product, other materials or the adjacent area if the instructions in the manual are not obeyed.

Note: Used to give more information that is necessary in a given situation.

- Do not let a child operate the product.
- Keep children away from the work area. A responsible adult must be there at all times.
- Do not let a person, without knowledge of the instructions, operate the product.
- Always monitor a person, with decreased physical capacity or mental capacity, that uses the product. A responsible adult must be there at all times.
- Do not use the product if you are tired, ill, or under the influence of alcohol, drugs or medicine. This has a negative effect on your vision, alertness, coordination and judgment.
- Do not use the product if it is defective.
- Do not change this product or use it if it is possible that it has been changed by others.

General safety instructions



WARNING: Read the warning instructions that follow before you use the product.

- This product is dangerous if used incorrectly or if you are not careful. Injury or death can occur if you do not obey the safety instructions.
- This product produces an electromagnetic field during operation. This field may under some circumstances interfere with active or passive medical implants. To reduce the risk of serious or fatal injury we recommend persons with medical implants to consult their physician and the medical implant manufacturer before operating this product.
- Always be careful and use your common sense. If you are not sure how to operate the product in a special situation, stop and speak to your Husqvarna dealer before you continue.
- Keep in mind that the operator will be held responsible for accidents that involve other persons or their property.
- Keep the product clean. Make sure that you can clearly read signs and decals.
- Do not let a person use the product unless you make sure that they read and understand the contents of the operator's manual.



WARNING: Read the warning instructions that follow before you use the product.

- Remove objects such as branches, twigs and stones from the work area before you use the product.
- Objects that hit against the cutting equipment can eject and cause damage to persons and objects. Keep bystanders and animals at a safe distance from the product.
- Never use the product in bad weather such as fog, rain, strong winds, intense cold and risk of lightning. To use the product in bad weather or in moist or wet locations is tiring. Bad weather can cause dangerous conditions, such as slippery surfaces.
- Look out for persons, objects and situations that can prevent safe operation of the product.
- Look out for obstacles, such as roots, stones, twigs, pits and ditches. Long grass can hide obstacles.
- To cut grass on slopes can be dangerous. Do not use the product on ground that slopes more than 15°.
- Operate the product across the face of slopes. Do not move up and down.
- Be careful when you go near hidden corners and objects that prevent a clear view.

Work safety



WARNING: Read the warning instructions that follow before you use the product.

- Use this product to cut grass lawns only. It is not permitted to use it for other tasks.
- Use personal protective equipment. Refer to *Personal protective equipment on page 10*.
- Make sure that you know how to stop the engine quickly in an emergency.
- Never start the engine in a closed space or near flammable material. The exhaust fumes from the engine are hot and can contain sparks which can start a fire.
- Do not operate the product unless the blade and all covers are attached correctly. An incorrectly attached blade can come loose and cause personal injury.
- Make sure that the blade does not hit objects such as stones and roots. This can do damage to the blade and bend the engine shaft. A bent axle causes heavy vibration and a very high risk that the blade becomes loose.
- If the blade hits an object or if vibrations occur, stop the product immediately. Disconnect the ignition cable from the spark plug. Examine the product for damages. Repair damages or let an authorised service agent do the repair.
- Never attach the engine brake handle permanently to the handle when the engine is started.
- Put the product on a stable, flat surface and start it. Make sure that the blade does not hit the ground or other objects.
- Always stay behind the product when you operate it.
- Let all the wheels stay on the ground and keep 2 hands on the handle when you operate the product. Keep your hands and feet away from the rotating blades.
- Do not tilt the product when the engine is started.
- Be careful when you pull the product rearward.
- Never lift up the product when the engine is started. If you must lift the product, first stop the engine and disconnect the ignition cable from the spark plug.
- Do not walk rearward when you operate the product.
- Stop the engine when you move across areas without grass, for example paths made of gravel, stone and asphalt.
- Do not run with the product when the engine is started. Always walk when you operate the product.
- Stop the engine before you change the cutting height. Never make adjustments with the engine started.
- Never let the product stay out of view with the engine started. Stop the engine and make sure that the cutting equipment does not rotate.

- Before you do an adjustment, inspection, replacement or removal of blockage, stop the product and let the blades stop fully. Blades that rotate can cause injury. Do not touch blades while they rotate.

Safety instructions for operation

Personal protective equipment



WARNING: Read the warning instructions that follow before you use the product.

- Personal protective equipment cannot fully prevent injury but it decreases the degree of injury if an accident does occur. Let your dealer help you select the right equipment.
- Use hearing protection if the noise level is higher than 85 dB.
- Use heavy-duty slip-resistant boots or shoes. Do not use open shoes or go with bare feet.
- Use heavy, long pants.
- Use protective gloves when necessary, for example when you attach, examine or clean the cutting equipment.

Safety devices on the product



WARNING: Read the warning instructions that follow before you use the product.

- Do not use a product with defective safety devices.
- Do a check of the safety devices regularly. If the safety devices are defective, speak to your Husqvarna service agent.

To do a check of the cutting cover

The cutting cover decreases vibrations in the product and decreases the risk of injury from the blade.

- Examine the cutting cover to make sure that there are no damages such as cracks.

To do a check of the engine brake handle

The engine brake handle stops the engine. When the engine brake handle is released, the engine stops.

- Start the engine and then release the engine brake handle. If the engine does not stop in 3 seconds, let an approved Husqvarna service agent adjust the engine brake. (Fig. 19)

To do a check of the rear deflector

The rear deflector decreases the risk that objects eject in the direction of the operator.

- Make sure that the rear deflector is not damaged. (Fig. 20)

- Make sure that the springs that close the rear deflector are not broken.
- Replace broken springs and damaged parts.
- Make sure that the rear deflector can move smoothly on the hinges.

Muffler

The muffler keeps the noise levels to a minimum and sends the exhaust fumes away from the operator.

Do not use the product if the muffler is missing or defective. A defective muffler increases the noise level and the risk of fire.



WARNING: The muffler becomes very hot during and after use and when the engine operates at idle speed. Be careful near flammable materials and/or fumes to prevent fire.

To do a check of the muffler

- Examine the muffler regularly to make sure that it is attached correctly and not damaged.

To do a check of the oil level



CAUTION: A too low oil level can do damage to the engine. Do a check of the oil level before you start the product.

1. Put the product on level ground.
2. Remove the oil tank cap with the attached dipstick.
3. Clean the oil from the dipstick.
4. Put the dipstick fully into the oil tank to give a correct picture of the oil level.
5. Remove the dipstick.
6. Examine the oil level on the dipstick.
7. If the oil level is low, fill with engine oil and do a check of the oil level again.

Vibration safety

This product is for occasional operation only. Continuous or regular operation of the product can cause "white finger" or equivalent medical problems from vibrations. Examine the condition of your hands and fingers if you operate the product continuously or regularly. If your hands or fingers have discoloration, have pain, tingle, or are numb, stop work and speak to a physician immediately.

Fuel safety



WARNING: Read the warning instructions that follow before you use the product.

- Do not start the product if there is fuel or engine oil on the product. Remove the unwanted fuel/oil and let the product dry.
- If you spill fuel on your clothing, change clothing immediately.
- Do not get fuel on your body, it can cause injury. If you get fuel on your body, use soap and water to remove the fuel.
- Do not start the product if the engine has a leak. Examine the engine for leaks regularly.
- Be careful with fuel. Fuel is flammable and the fumes are explosive and can cause injuries or death.
- Do not breathe in the fuel fumes, it can cause injury. Make sure that there is a sufficient airflow.
- Do not smoke near the fuel or the engine.
- Do not put warm objects near the fuel or the engine.
- Do not add the fuel when the engine is on.
- Make sure that the engine is cool before you refuel.
- Before you refuel, open the fuel tank cap slowly and release the pressure carefully.
- Do not add fuel to the engine in an indoor area. Not sufficient airflow can cause injury or death because of asphyxiation or carbon monoxide.
- Tighten the fuel tank cap fully. If the fuel tank cap is not tightened, there is a risk of fire.
- Move the product a minimum of 3 m / 10 ft from the position where you filled the tank before a start.
- Do not fill the fuel tank fully. Heat causes the fuel to expand. Keep a space at the top of the fuel tank.

Safety instructions for maintenance



WARNING: Read the warning instructions that follow before you use the product.

- The exhaust fumes from the engine contain carbon monoxide, an odourless, poisonous and very dangerous gas. Do not start the engine indoors or in closed spaces.
- Before you do the maintenance on the product, stop the engine and remove the ignition cable from the spark plug.
- Use protective gloves when you do maintenance on the cutting equipment. The blade is very sharp and cuts can easily occur.
- Accessories and changes to the product that are not approved by the manufacturer, can cause serious injury or death. Do not change the product. Always use accessories that are approved by the manufacturer.
- If the maintenance is not done correctly and regularly, the risk of injury and damage to the product increases.
- Only do the maintenance as given in this owner's manual. All other servicing must be done by an approved Husqvarna service agent.

- Let an approved Husqvarna service agent do servicing on the product regularly.
- Replace damaged, worn or broken parts.

Assembly

Introduction



WARNING: Before you assemble the product, you must read and understand the safety chapter.



WARNING: Remove the spark plug cable from the spark plug before you assemble the product.

To assemble the handle

1. Lift the lower handle. (Fig. 21)
2. Align the holes at the bottom of the lower handle with the holes in the handle brackets.

Note: Select the holes that give the best operation position.

3. Tighten the lower handle knobs.
4. Lift the upper handle and align it with the lower handle.
5. Tighten the upper handle knobs fully.

To install the starter rope handle

1. Attach the loop for the starter rope and the T-knob. Do not tighten fully. (Fig. 22)

2. Hold the engine brake handle against the handlebar.
3. Slowly pull out the starter rope and put it into the loop for the starter rope. (Fig. 23)
4. Tighten the T-knob. (Fig. 24)

To set the product in transport position

1. Remove the grass catcher.
2. Loosen the lower handle knobs to unlock the handle. (Fig. 25)
3. Fold the handle down rearward.
4. Remove the knobs and the pins on the lower handle.
5. Fold the handle forward.

To assemble the grass catcher

1. Attach the grass catcher frame to the grass bag with the rigid part of the bag on the bottom. Keep the handle of the frame out of the top of the bag. (Fig. 26)
2. Attach the grass bag to the frame with the quick-action clips. (Fig. 27)

Operation

Introduction



WARNING: Before you operate the product, you must read and understand the safety chapter.

Before you operate the product

1. Read the operator's manual carefully and make sure that you understand the instructions.
2. Examine the cutting equipment to make sure that it is correctly attached and adjusted. See *To examine the cutting equipment on page 15*.
3. Fill the fuel tank. See *To fill fuel on page 12*.
4. Fill the oil tank and do a check of the oil level. See *To do a check of the oil level on page 11*.

To fill fuel

If available, use low-emission/alkylate gasoline. If low-emission/alkylate gasoline is not available, use good

quality unleaded gasoline or leaded gasoline with octane number not less than 90.



CAUTION: Do not use gasoline with an octane number less than 90 RON (87 AKI). This can cause damage to the product.

1. Open the fuel tank cap slowly to release the pressure.
2. Fill slowly with a fuel can. If you spill fuel, remove it with a cloth and let remaining fuel dry off.
3. Clean the area around the fuel tank cap.
4. Tighten the fuel tank cap fully. If the fuel tank cap is not tightened, there is a risk of fire.
5. Move the product a minimum of 3 m (10 ft) from the position where you filled the tank before a start.

To set the cutting height

The cutting height can be adjusted in 9 levels.

1. Push the cutting height control in the direction of the wheel and then rearward to increase the cutting height.
2. Push the cutting height control in the direction of the wheel and then forward to decrease the cutting height. (Fig. 28)



CAUTION: Do not set the cutting height too low. The blades can hit the ground if the surface of the lawn is not level.

To start the product

1. Stay behind the product.
2. Hold the engine brake handle against the handlebar. (Fig. 29)
3. Hold the starter rope handle with your right hand.
4. Slowly pull out the starter rope until you feel some resistance.
5. Pull with force to start the engine.



WARNING: Do not twist the starter rope around your hand.

To use the drive on the wheels

- Pull the drive levers in the direction of the handlebar. (Fig. 30)
- Before you pull the product rearward, disengage the drive and push the product forward approximately 10cm.
- Release the drive levers to disengage the drive, for example when you go near an obstacle.

To adjust the drive control cable

- Use the adjuster screw to adjust the drive control cable. (Fig. 31)
- Turn off the engine. Always disconnect the spark plug before you operate the movable parts.
- Turn the adjustment screw counterclockwise to tension the wire and increase the speed.
- Turn the adjustment screw clockwise to extend the wire and reduce speed.

To stop the product

- To stop the drive only, release the drive levers.
- To stop the engine, release the engine brake handle. (Fig. 32)

To use the product with the grass catcher



WARNING: Do not operate the product without a grass catcher installed or without

the rear deflector closed. Objects can eject and cause injury to the operator.

1. Lift the rear deflector and remove the mulch plug. (Fig. 33)
2. Assemble the grass catcher, refer to *To assemble the grass catcher on page 12*.
3. Put the grass catcher on the bracket. (Fig. 34)
4. Release the rear deflector and put it on top of the grass bag frame.

To change the product to mulching mode

The mulching mode of the product makes grass clippings smaller. The grass clippings then fall onto the lawn and scatter across the grass. Mulched grass biodegrades quickly to give nutrients for the lawn.

1. Lift the back shield and remove the grass bag, if it is installed.
2. Put the mulch plug into the collector channel. (Fig. 35)
3. Let the back shield close and make sure it tightly closes against the mulch plug. (Fig. 36)

To change the product to rear-side discharge mode

1. Lift the rear deflector and remove the mulch plug. (Fig. 37)
2. Install the discharge chute. (Fig. 38)

To empty the grass catcher



CAUTION: Do not drag the bag when you empty the grass catcher to prevent wear.

1. Lift the grass catcher with the frame handle. (Fig. 39)
2. Remove grass clippings from the grass catcher from below the handle.
3. Empty grass clippings from the bag with the frame handle and the bag handle.

To get a good result

- Always use a sharp blade. A blunt blade gives an irregular result and the cut surface of the grass becomes yellow. A sharp blade also uses less energy than a blunt blade.
- Do not cut more than $\frac{1}{3}$ of the length of the grass. Cut first with the cutting height set high. Examine the result and lower the cutting height to an applicable level. If the grass is very long, drive slowly and cut 2 times if necessary.
- Cut in different directions each time to prevent stripes in the lawn.

Maintenance

Introduction



WARNING: Before you do maintenance, you must read and understand the safety chapter.

For all servicing and repair work on the product, special training is necessary. We guarantee the availability of professional repairs and servicing. If your dealer is not a service agent, speak to them for information about the nearest service agent.

Maintenance schedule



CAUTION: Make sure that the air filter is up and not against the ground when you tilt the product. Risk of engine damage.

The maintenance intervals are calculated from daily use of the product. The intervals change if the product is not used daily.

For maintenance identified with * refer to instructions in *Safety devices on the product on page 10*.

Maintenance	Daily	Weekly	Monthly
Do a general inspection	X		
Examine the oil level	X		
Clean the product	X		
Examine the cutting equipment	X		
Examine the cutting cover *	X		
Examine the engine brake handle *	X		
Examine the blade brake control *	X		
Examine the muffler *		X	
Examine the spark plug		X	
Replace the oil (the first time after 5 h of use, then after each 50 h of use)			X
Clean or replace the air filter			X
Examine the fuel system			X

To do a general inspection

- Make sure that all nuts and screws on the product are tightened correctly.

To clean the product externally

- Use a brush to remove leaves, grass and dirt.
- Make sure that the air intake on the top of the engine is not blocked.
- Do not use a high pressure washer to clean the product.
- If you use water to clean the product, do not flush water directly on the engine.

To clean the inner surface of the cutting cover

1. Empty the fuel tank.
2. Put the product on its side with the muffler down.



CAUTION: If the product is put with the air filter down, the engine can become damaged.

3. Hose down the inner surface of the cutting cover with water.

To use the water hose connection

1. Move the product to an area of cut grass or a different hard surface.
2. Remove the grass catcher or mulch plug from the product.
3. Close the rear deflector.
4. Connect a water hose to the water hose connection. (Fig. 40)
5. Stop the water supply and examine the water hose connection for leaks.

6. If you do not see a leak, start the engine. Let the engine run until the product is clean below the housing.
7. Stop the engine.
8. Stop the water supply and remove the hose from the water hose connection.

Note: Do not remove the water hose from the water hose connection while the engine is in operation. Water in the engine can decrease the life of the engine.

9. Start the engine and let it run for a full minute to remove remaining water from the product.

To replace the engine oil



WARNING: Engine oil is very hot directly after the engine is stopped. Let the engine become cool before you drain the engine oil. If you spill engine oil on your skin, clean with soap and water.

1. Operate the product until the fuel tank is empty.
2. Remove the ignition cable from the spark plug.
3. Remove the oil tank cap.
4. Put a container below the product to collect the engine oil in.
5. Tilt the product to drain the engine oil from the oil tank.
6. Fill with new engine oil of the type recommended in *Technical data on page 19*.
7. Do a check of the oil level. Refer to *To do a check of the oil level on page 11*.

To examine the spark plug



CAUTION: Always use the recommended spark plug type. Incorrect spark plug type can cause damage to the product.

- Examine the spark plug if the engine is low on power, is not easy to start or does not operate correctly at idle speed.
- To decrease the risk of unwanted material on the spark plug electrodes, obey these instructions:
 - a) Make sure that the idle speed is correctly adjusted.
 - b) Make sure that the fuel mixture is correct.
 - c) Make sure that the air filter is clean.
- If the spark plug is dirty, clean it and make sure that the electrode gap is correct, refer to *Technical data on page 19*. (Fig. 41)
- Replace the spark plug if it is necessary.

To clean the air filter

1. Remove the air filter cover and remove the filter.

2. Hit the filter against a flat surface to make the particles fall off.



CAUTION: Do not use solvent or compressed air to clean the air filter.

3. Put the air filter back. Make sure that the air filter fully seals against the air filter holder.
4. Put the air filter cover back.

Note: An air filter that is used for a long time cannot be fully cleaned. Replace the air filter at regular intervals. Always replace a damaged air filter.

To examine the cutting equipment



WARNING: To prevent accidental start remove the ignition cable from the spark plug.



WARNING: Use protective gloves when you do maintenance on the cutting equipment. The blade is very sharp and cuts can easily occur.

1. Examine the cutting equipment for damage or cracks. Always replace a damaged cutting equipment.
2. Look at the blade to see if it is damaged or blunt.

Note: It is necessary to balance the blade after it is sharpened. Let a service center sharpen, replace and balance the blade. If you hit an obstacle that causes the product to stop, replace the damaged blade. Let the service center estimate if the blade can be sharpened or must be replaced.

To assemble the blade

1. Put the blade adapter on the engine crankshaft. Make sure the key in the adapter and crankshaft keyway are aligned. (Fig. 42)
2. Always attach the blade with the angled ends pointing up in the direction of the engine. (Fig. 43)
3. Use a block of wood between the blade and product housing. Tighten the blade bolt and turn it clockwise.
4. Always tighten the bolt with a torque of 35-40 ft lbs (47-54 Nm). (Fig. 44)
5. Make sure the spark plug cable is disconnected from the engine.



CAUTION: To prevent accidental start, always disconnect the spark plug cable

and put the wire where it cannot touch the spark plug.

6. Pull the blade around by hand and make sure it rotates freely.

To replace the blade

1. Lock the blade with a block of wood. (Fig. 45)
2. Remove the blade bolt.
3. Remove the blade.
4. Examine the blade support and blade bolt to see if there are damages.
5. Examine the engine shaft to make sure that it is not bent.
6. When you attach the new blade, point the angled ends of the blade in the direction of the cutting cover. (Fig. 46)

Transmission assembly overview

(Fig. 2)

1. Mulch plug
2. Rear insert
3. Transmission pulley
4. Idler bracket
5. Transmission cover
6. Blade adapter
7. Idler pulley
8. Front belt keeper
9. Ring
10. Blade
11. Hard washer
12. Lock washer
13. Blade bolt
14. Belt cover

To remove the drive belt

1. Operate the product until the fuel tank is empty.
2. Remove the spark plug cap from the spark plug.
3. Put the product on its side with the muffler down.



CAUTION: If the product is put with the air filter down, the engine can become damaged.

7. Make sure that the blade is aligned with the center of the engine shaft.
8. Lock the blade with a block of wood. Attach the spring washer and tighten the bolt and washer with a torque of 47-54 Nm. (Fig. 47)
9. Pull the blade around by hand and make sure that it turns freely.



WARNING: Use heavy duty gloves. The blade is very sharp and cuts can easily occur.

10. Start the product to do a test of the blade. If the blade is not correctly attached, there is vibration in the product or the cutting result is unsatisfactory.

4. Remove the drive cover. (Fig. 48)
5. Remove the blade bolt, lock washer, hard washer and the blade. (Fig. 49)
6. Remove the mulch plug. (Fig. 50)
7. Remove the rear insert.
8. Remove the belt cover and the ring. (Fig. 51)
9. Disconnect the cable from the transmission and remove the idler pulley from the idler assembly.
10. Remove the front belt keeper.
11. Remove the drive belt from the transmission pulley.
12. Remove the 3 idler pulleys from the idler assembly. (Fig. 52)
13. Remove the drive belt from blade adapter and the idler assembly. (Fig. 53)
14. Attach locking pliers to the input shaft of the transmission. Loosen the engine pulley with a 9/16" box wrench to remove the transmission pulley.
15. Remove the drive belt.

Troubleshooting

Problem	Possible cause	Solution
The engine does not start.	The ignition cable is not connected correctly.	Connect the ignition cable to the spark plug.
	The fuel tank is empty.	Fill the fuel tank with correct fuel type.
	There is dirt in the carburetor or fuel line.	Clean the carburetor and/or fuel line.
	The spark plug is defective.	Adjust the electrode gap, clean or replace the spark plug.
The engine does not stop.	The stop mechanism is defective.	Disconnect the ignition cable from the spark plug. Let an approved service agent repair the product.
The engine does not operate smoothly.	The ignition cable is not connected correctly.	Connect the ignition cable to the spark plug.
	There is dirt in the fuel line or the fuel has expired.	Clean the fuel line. Fill the fuel tank with new fuel of the correct type.
	There is blockage in the fuel tank cap.	Clean the fuel tank cap.
	There is water or dirt in the fuel system.	Drain the fuel tank. Fill the fuel tank with new fuel of the correct type.
	The air filter is dirty.	Clean the air filter.
	The carburetor must be adjusted.	Let a servicing dealer adjust the carburetor.
The engine becomes too hot.	The engine oil level is too low.	Fill engine oil.
	The air flow is not sufficient.	Clean the air filter and the air filter housing.
	The carburetor must be adjusted.	Let a servicing dealer adjust the carburetor.
There is misfire in the engine when it operates at high speed.	The electrode gap in the spark plug is too small.	Adjust the electrode gap.
The engine does not operate smoothly at idle speed.	The spark plug is dirty, defective or the electrode gap is too wide.	Adjust the electrode gap or replace the spark plug.
	The carburetor must be adjusted.	Adjust the carburetor.
	The air filter is dirty.	Clean the air filter.
There is too much vibration in the handle.	A blade is loose or not balanced.	Tighten the blade bolts. Replace the blades if there are damages.
	A blade is bent.	Replace the blades if there are damages.

Problem	Possible cause	Solution
The grass is not cut into mulch.	The grass is wet.	Do not operate the product when the grass is wet. Wait until the grass is dry.
	The grass is too high.	Cut first with the cutting height set high. Lower the cutting height and cut again. Cut only ½ of the cutting width at a time.
	One or more of the blades are not sufficiently sharp.	Sharpen or replace the blades.
The grass is cut irregularly.	The wheels are not in correct position.	Set the cutting height at the same level for all 4 wheels.
	One or more of the blades are not sufficiently sharp.	Sharpen or replace the blades.
The drive system does not operate correctly	The drive belt is not sufficiently tight or there is dirt on the pulleys or drive belt.	Let an approved service agent do maintenance on the drive system.

Transportation, storage and disposal

Transportation and storage

- For storage and transportation of the product and fuel, make sure that there are no leaks or fumes. Sparks or open flames, for example from electrical devices or boilers, can start a fire.
- Always use approved containers for storage and transportation of fuel.
- Empty the fuel tank before you put the product in storage for a long period of time. Discard the fuel at an applicable disposal location
- Safely attach the product during transportation to prevent damage and accidents.
- Keep the product in a locked area to prevent access for children or persons that are not approved.
- Keep the product in a dry and frost free area.

Disposal

- Obey the local recycling requirements and applicable regulations.
- Discard all chemicals, such as engine oil or fuel, at a service center or at an applicable disposal location.
- When the product is no longer in use, send it to a Husqvarna dealer or discard it at a recycling location.

Technical data

Technical data

	LC 353AWD
Engine	
Brand	Honda
Displacement, cu.in/cm ³	10.1/166
Maximum operating engine speed, min ⁻¹	3200
Nominal engine output, kW/hp @ rpm ¹	3.6/4.9 @ 2900-3200
Ignition system	
Spark plug	NGK BPR5ES
Electrode gap, in/mm	0.028/0.7
Fuel and lubrication system	
Fuel, unleaded, minimum octane number	90 RON / 87 AKI
Fuel tank capacity, US gal l	0.24/0.91
Oil tank capacity, US gal/l	0.11/0.40
Engine oil ²	SAE 30 / SAE 10W-30
Weight	
With empty tanks, lb/kg	85.1/38.6
Noise emissions³	
Sound power level, measured dB (A)	95.02
Sound power level, guaranteed L _{WA} dB (A)	96
Sound levels⁴	
Sound pressure level at the operator's ear, dB (A)	83.3
Vibration levels⁵	
Handle (left/right), m/s ²	4.96/6.28

¹ The power rating of the engine indicated is the average net output (at specified rpm) of a typical production engine for the engine model measured to SAE standard J1349/ISO1585. Mass production engines may differ from this value. Actual power output for the engine installed on the final product will depend on the operating speed, environmental conditions and other values.

² Use engine oil of quality SJ or higher. See the viscosity chart in the engine manufacturer's manual and select the best viscosity based on the expected outside temperature.

³ Noise emissions in the environment measured as sound power (L_{WA}) in conformity with EC directive 2000/14/EC. Reported data for noise emissions in the environment has a typical statistical dispersion (standard deviation) of 0.54 dB (A).

⁴ Noise pressure level according to ISO 5395. Reported data for noise pressure level has a typical statistical dispersion (standard deviation) of 3.0 dB (A).

⁵ Vibration level according to ISO 5395. Reported data for vibration level has a typical statistical dispersion (standard deviation) of 1.5 m/s²

	LC 353AWD
Cutting equipment	
Cutting height, in/mm	1.0-4.0/25.4-101.6
Cutting width, in/cm	21/53
Blade	
Article number	586 85 96-02
Grass catcher capacity, ft ³ /l	2.3/65
Drive	
Speed, mph/km/h	0-3/0-4.8

Contents of the EC declaration of conformity

We, Husqvarna AB, SE 561 82 Huskvarna, SWEDEN, declare under our sole responsibility that the represented product:

Description	Combustion-engine-powered pedestrian-controlled lawn mower
Brand	Husqvarna
Platform / Type / Model	Platform E21THV, representing models LC 353AWD.
Batch	Serial number dating 2019 and onwards.

section of this manual and in the signed EC Declaration of Conformity.

The supplied combustion-engine-powered pedestrian-controlled lawn mower conforms to the example that underwent examination.

Notified body for directive 2000/14/EC: Intertek Testing & Certification Ltd (notified body 0359) Davy Avenue, Knowlhill, Milton Keynes, MK5 8NL.

complies fully with the following EU directives and regulations:

Directive/Regulation	Description
2006/42/EC	"relating to machinery"
2014/30/EU	"relating to electromagnetic compatibility"
2000/14/EU; 2005/88/EC	"relating to outdoor noise"
2011/65/EU	"restriction of use of certain hazardous substances"

Harmonized standards and/or technical specifications applied are as follows: EN ISO 12100, ISO 5395-1+A1/A2, ISO 5395-2+A1/A2, EN ISO 14982, ISO 3744, ISO 11094, EN 1032

In accordance with directive 2000/14/EC, Annex VI, the declared sound values are stated in the technical data

目次

はじめに.....	21	トラブルシューティング.....	30
安全性.....	22	搬送、保管、廃棄.....	31
組立.....	25	主要諸元.....	32
操作.....	25	EC 適合宣言の内容.....	33
メンテナンス.....	27		

はじめに

製品の説明

本製品は、燃焼機関を搭載した手押し式芝刈機です。芝はグラスキャッチャーに収集されます。芝を後方排出方式にするには、グラスキャッチャーを取り外してください。刈った芝を肥料にするにはマルチキットを取り付けてください。

製品の概要

(図 1)

1. エンジンブレーキハンドル
2. ドライブレバー
3. スターターロープハンドル
4. グラスキャッチャー
5. 燃料タンクキャップ
6. エアフィルター
7. スパークプラグ
8. ドライブカバー
9. マフラー
10. 水ホース接続
11. リヤデフレクター
12. オイルレベルゲージ / オイルタンク
13. 刈高制御
14. マルチプラグ
15. 取扱説明書
16. 排出口

製品に表記されるシンボルマーク

- (図 3) 警告：本製品の使用は危険を伴います。操作者や付近にいる人が重傷を負う、または死亡するおそれがあります。十分に注意し、本製品を正しく使用してください。
- (図 4) 本取扱説明書をよくお読みになり、内容をしっかりと把握したうえで、本製品を使用してください。
- (図 5) 高速
- (図 6) 低速
- (図 7) 回転している部品に手や足を近づけないでください。

用途

この製品は、ご家庭の庭の芝刈りに使用してください。他の作業に本製品を使用しないでください。

(図 8) 作業範囲と人や動物の間に安全な距離を保ってください。

(図 9) 製品を後方に動かすときは注意してください。後方と下を見て、転倒の原因となる小さな子供や動物がいないか、その他の危険がないかを確認してください。

(図 10) 斜面で本製品を操作することは危険を伴います。

(図 11) 回転しているブレードに手や足を近づけないでください。

(図 12) 飛び散ったり跳ね返ったりする物体に気を付けてください。

(図 13) 環境に対する騒音レベルは EC 指令に準拠しています。本製品の排出レベルは、**主要諸元 32** ページとステッカーに記載されています。

(図 14) この製品は EC 規格適合製品です。

(図 15) 本製品は EAC 指令適合製品です。

(図 16) 本製品は RCM 指令適合製品です。オーストラリア / ニュージーランドのみ対象。

(図 17) 本製品はウクライナ指令適合製品です。

(図 18) 認可されたイヤマフを使用してください。

注記：本製品に付いている他のシンボル / 銘板は、他の販売地域での認定条件を示しています。

ユーロ V 排出規制



警告： エンジンを改造すると、この製品の EC 型式認証が無効になります。

製造物責任

製造物責任法に基づき、当社は、次の場合については本製品を原因とする損傷について責任を負いません。

- 本製品が誤って修理された場合。
- メーカーによるものではない部品、またはメーカーの認可していない部品を使用して本製品を修理した場合。
- メーカーによるものではないアクセサリ、またはメーカーの認可していないアクセサリを本製品に使用した場合。
- 認定サービスセンターまたは認定機関で本製品が修理されていない場合。

安全性

安全性の定義

警告、注意、注記は、取扱説明書の特に重要な部分を示しています。



警告： 取扱説明書の指示に従わない場合、使用者が負傷したり、死亡したりするか、あるいは付近の人に損傷を与える危険があることを意味します。



注意： 取扱説明書の指示に従わない場合、製品や他の物品、または隣接するエリアに損傷を与える危険があることを意味します。

注記： 特定の状況で必要とされる詳細情報を提供するために使用されます。

- 子供を作業エリアに近づけないでください。責任を有する大人が常にそばにいる必要があります。
- 指示を理解していない人に本製品を操作させないでください。
- 身体的、精神的にハンデを負った人が本製品を使用する場合は常に監視してください。責任を有する大人が常にそばにいる必要があります。
- 疲労時、疾病時、アルコールや医薬品の影響が残っているときは、本製品を使用しないでください。視力、注意力、動作、判断力に悪影響を与えます。
- 本製品に不具合がある場合は使用しないでください。
- 本製品を改造しないでください。また、本製品が改造されている可能性がある場合は使用しないでください。

作業エリアの安全



警告： 本製品を使用する前に、以下の警告指示をお読みください。

一般的な安全注意事項



警告： 本製品を使用する前に、以下の警告指示をお読みください。

- 本製品は、慎重かつ適切に使用しないと、危険な道具となります。安全注意事項に従わないと、負傷や死亡事故が発生するおそれがあります。
- 本製品では、運転中に電磁場が発生します。この電磁場は、ある条件下でアクティブ、またはパッシブな医療用インプラントに影響を及ぼすことがあります。深刻な傷害または致命傷の危険を避けるため、医療用インプラントを使用している方は、本製品を使用する前に主治医および医療用インプラントの製造元に相談することをお勧めします。
- 常に常識に基づいて注意して使用してください。特殊な状況での本製品の操作方法がわからない場合、作業を続ける前に本製品を停止して、Husqvarna 販売店までご連絡ください。
- 第三者やその所有物が事故に関係する場合、その責任は、作業者にあることを忘れないでください。
- 本製品は清潔に保ってください。標識やラベルがはっきりと読み取れるようにしてください。
- 取扱説明書を読んで内容を理解した人のみ本製品を使用させてください。
- 子供に本製品を操作させないでください。

- 本製品を使用する前に、大小の枝や石などの物体を作業範囲から取り除いてください。
- カutting装置にぶつかった物体がはじかれて、人が怪我をしたり物が損傷したりするおそれがあります。本製品から周囲の人や動物との安全な距離を保ってください。
- 霧、雨、強風、極寒、雷の危険などの悪天候下で本製品を使用しないでください。悪天候下や、湿気のある場所、濡れた場所で本製品を使用すると疲労します。悪天候の場合、路面が滑りやすくなるなど、危険な状態を引き起こすことがあります。
- 製品の安全な操作を妨げる可能性がある人、物、状況に注意してください。
- 根、石、小枝、窪み、溝などの障害物に注意してください。長い芝の中に障害物が隠れていることがあります。
- 斜面で芝を刈ることは危険を伴います。15 度を超える斜面では、本製品を使用しないでください。
- 斜面を横切りながら本製品を操作してください。上下に移動しないでください。
- 陰になった隅や視界を遮るものに近づくときは気を付けてください。

安全な作業



警告：本製品を使用する前に、以下の警告指示をお読みください。

- 本製品は芝生刈りにのみ使用してください。他の作業には使用できません。
- 身体保護具を使用してください。使用者の**身体保護具 23** ページを参照してください。
- 緊急時にエンジンをすばやく停止する方法を必ず確認してください。
- 閉鎖された空間または可燃性物質の近くでエンジンを始動しないでください。エンジンの排気ガスは高温で火花を含むことがあり、火災発生の原因となります。
- ブレードやすべてのカバーを適切に装着してから本製品を始動させてください。ブレードが適切に装着されていないと、緩んで、怪我をすることがあります。
- ブレードが石や根などの物体にぶつからないように気を付けてください。ブレードが損傷したり、エンジンシャフトが曲がったりするおそれがあります。シャフトが曲がると振動が激しくなり、ブレードが緩む危険性が非常に高くなります。
- ブレードが物に当たったり振動が発生したりした場合は、すぐに本製品を停止してください。スパークプラグからイグニッションケーブルを外してください。製品に損傷がないか点検します。損傷部を修復するか、正規サービス代理店に修理を依頼してください。
- エンジンの始動時は、エンジンブレーキハンドルをハンドルに完全に固定しないでください。
- 製品を平らで安定した面に置き、始動します。ブレードが地面やその他の物に触れないよう、注意してください。
- 本製品の操作時は、必ず製品の後ろに立ってください。
- 製品を操作するときは、すべてのホイールを地面につけ、両手でハンドルをつかんで操作してください。回転しているブレードに手や足を近づけないでください。
- エンジンの作動中は、本製品を傾けないでください。
- 製品を後方に引くときは注意してください。
- エンジンの作動中は、本製品を持ち上げないでください。エンジンを持ち上げる必要がある場合は、最初にエンジンを停止し、スパークプラグからイグニッションケーブルを取り外してください。
- 本製品を操作するときは、後ろ向きに歩かないでください。
- 砂利、石、アスファルトなど、芝面以外の領域を横切るときは、エンジンを停止してください。
- エンジンの作動中は、本製品を操作しながら走りしないでください。製品を操作するときは、必ず歩いてください。

- 刈高を変更する場合は、まずエンジンを停止してください。エンジンが作動している状態での調整は決して行わないでください。
- エンジンが作動している状態で、見えない場所に製品を放置しないでください。エンジンを停止し、カッティング装置が回転していないことを確認してください。
- 調整、点検、交換、または詰まりの除去を行う前に、本製品を停止し、ブレードを完全に停止させてください。回転しているブレードにより、負傷するおそれがあります。ブレードが回転している間は、ブレードに触れないでください。

操作のための安全注意事項

使用者の身体保護具



警告：本製品を使用する前に、以下の警告指示をお読みください。

- 身体保護具で怪我を完全に防止できるわけではありませんが、万が一事故が起こった場合、負傷の度合いを軽減することが出来ます。適切な保護具の選択については、販売店にご相談ください。
- 騒音レベルが 85 dB を超える場合は、イヤマフを使用してください。
- 丈夫で滑りやすいブーツや靴を着用してください。開放部の多い靴を使用したり、裸足で作業を行ったりしないでください。
- 厚手の長ズボンを着用してください。
- カッティング装置の取り付け、点検、清掃を行う場合は、必要に応じて保護グローブを着用してください。

本製品の安全装置



警告：本製品を使用する前に、以下の警告指示を読んでください。

- 安全装置に欠陥のある製品は使用しないでください。
- 安全装置は定期的な点検してください。安全装置に欠陥がある場合は、Husqvarna サービス代理店にご相談ください。

カッティングカバーの点検方法

カッティングカバーは、本製品の振動を抑え、ブレードで負傷する危険性を低減します。

- カッティングカバーを点検して、亀裂などの損傷がないことを確認してください。

エンジンブレーキハンドルの点検

エンジンブレーキハンドルは、エンジンを停止させるためのものです。エンジンブレーキハンドルを放すと、エンジンが停止します。

- エンジンを始動して、エンジンブレーキハンドルを放します。エンジンが3秒で停止しない場合は、Husqvarnaの認証サービス代理店にエンジンブレーキの調整を依頼してください。(図19)

リヤデフレクターの点検

リヤデフレクターは、物体が作業者の方に飛び危険を低減します。

- リヤデフレクターに損傷がないことを確認します。(図20)
- リヤデフレクターを閉じるスプリングに損傷がないことを確認します。
- 損傷したスプリングおよび部品を交換します。
- リヤデフレクターがヒンジ上でスムーズに動くことを確認します。

マフラー

マフラーは騒音レベルを最小限に抑え、排気ガスを作業者から遠ざける働きをします。

マフラーがない場合や損傷がある場合は、製品を使用しないでください。マフラーに損傷があると、騒音レベルと火災発生の危険が増加します。



警告：使用中、使用直後およびエンジンがアイドリング速度で稼働しているときはマフラーが高温になります。可燃性の材料やガスの近くでは火災に注意してください。

マフラーの点検方法

- マフラーを定期的に点検して、正しく取り付けられているか、損傷していないかを確認してください。

油面のチェックを行うには



注意：油面が低すぎると、エンジンが損傷することがあります。製品を始動する前に油面を点検してください。

- 本製品を水平面に置きます。
- オイルレベルゲージが付いているオイルタンクキャップを取り外します。
- オイルレベルゲージのオイルを拭き取ります。
- 油面の正しい状況を知るには、オイルタンクにディップスティックを完全に入れます。
- オイルレベルゲージを外します。
- オイルレベルゲージで油面を点検します。
- 油面が低すぎる場合は、エンジンオイルを充填し、もう一度油面をチェックします。

振動への安全対策

本製品は短時間使用専用です。製品を継続的または定期的に操作していると、振動が原因で、「白蟻病」あるいはそれと同等の医療上の問題につながるおそれがあります。製品を継続的または定期的に操作している場合は、ご自身の手と指の状態を調べてみてください。もし手や

指に退色や、痛み、うずき、麻痺といった症状が見られる場合、すぐに作業を中止して医者にかかってください。

燃料の安全について



警告：本製品を使用する前に、以下の警告指示をお読みください。

- 本製品に燃料やエンジンオイルが付着している場合は始動しないでください。不要な燃料やオイルを本製品から除去し、乾かしてください。
- 衣服にガソリンをこぼした場合は、すぐに着替えてください。
- 燃料が身体に付着しないようにしてください。負傷する場合があります。身体に燃料が付着した場合は、石鹸と水を使用して燃料を洗い流してください。
- エンジンに漏れがある場合は、本製品を始動しないでください。エンジンに漏れがないかどうかは定期的に点検してください。
- 燃料に注意してください。燃料は可燃性で蒸気には爆発性があるため、負傷や死亡に至ることがあります。
- 燃料の蒸気を吸引しないでください。負傷の原因になることがあります。十分な空気の流れを確保してください。
- 燃料やエンジンのそばで喫煙しないでください。
- 燃料やエンジンのそばに温かい物を置かないでください。
- エンジンの稼働中は、燃料を補充しないでください。
- 燃料の補充は、エンジンが冷えてからにしてください。
- 燃料を補充する前に、燃料タンクのキャップを開けて慎重に圧力を解放してください。
- 屋内でエンジンに燃料を補充しないでください。十分な空気の流れがないと、窒息や一酸化炭素中毒によって負傷や死亡に至ることがあります。
- 燃料タンクキャップを完全に締め込んでください。燃料タンクキャップが締め込まれていない場合、火災発生の危険があります。
- 始動する前に、燃料を充填した場所から本製品を3m(10フィート)以上移動させてください。
- 燃料タンクいっぱいには充填しないでください。高温になると、燃料が膨張します。燃料タンクの上部に余裕があるようにください。

メンテナンスのための安全注意事項



警告：本製品を使用する前に、以下の警告指示をお読みください。

- エンジンの排気ガスには、無臭で有毒な危険性の高いガスである一酸化炭素が含まれます。屋内または閉鎖された空間でエンジンを始動しないでください。

- 本製品のメンテナンスを実施する前に、エンジンを停止し、スパークプラグからイグニッションケーブルを取り外してください。
- カutting装置のメンテナンスを実施するときは、保護グローブを使用してください。ブレードは非常に鋭利なため、切り傷を負う危険性があります。
- メーカーが認可していないアクセサリの使用や本製品の改造は、重傷や死亡事故の原因となるおそれがあります。本製品を改造しないでください。必ず、メーカー認可済みのアクセサリを使用してください。
- メンテナンスが正しく定期的を実施されていない場合は、負傷や本製品の損傷の危険性が高まります。
- 取扱説明書に記載されているメンテナンスのみを実施してください。他のすべてのサービス作業は、Husqvarna の認証サービス代理店が実施する必要があります。
- Husqvarna の認証サービス代理店で定期的に本製品のサービス作業を実施する必要があります。
- 損傷、摩耗、破損した部品は交換してください。

組立

はじめに



警告： 本製品を組み立てる前に、安全に関する章をお読みになり、内容を理解してください。



警告： 本製品を組み立てる前に、スパークプラグからスパークプラグケーブルを取りはずしてください。

ハンドルの組み立て

1. 下部ハンドルを持ち上げます。(図 21)
2. 下部ハンドルの底部にある穴をハンドルブラケットの穴に合わせます。

注記： 最適な操作位置になるように穴を選択します。

3. 下部ハンドルノブを締めます。
4. 上部ハンドルを持ち上げて、下部ハンドルに合わせます。
5. 上部ハンドルノブを完全に締めます。

スターターロープハンドルの取り付け

1. T ノブとスターターロープ用のループを取り付けます。完全に締めないでください。(図 22)

2. エンジンブレーキハンドルをハンドルバーの方へ引きます。
3. スターターロープをゆっくりと引き出し、スターターロープ用のループに入れます。(図 23)
4. T ノブを締めます。(図 24)

製品を搬送位置にセットする方法

1. グラスキャッチャーを取り外します。
2. 下部ハンドルノブを緩めて、ハンドルのロックを解除します。(図 25)
3. ハンドルを後方に折り畳みます。
4. 下部ハンドルのノブとピンを取り外します。
5. ハンドルを前方に折り畳みます。

グラスキャッチャーの組み付け方法

1. グラスキャッチャーフレームを、バッグ下部の硬質部分に取り付けます。フレームのハンドルはバッグの上に出しておきます。(図 26)
2. グラスバッグをクイックアクションクリップでフレームに取り付けます。(図 27)

操作

はじめに



警告： 本製品を操作する前に、安全に関する章をお読みになり、内容を理解してください。

本製品を操作する前に

1. この取扱説明書をよくお読みになり、内容をしっかりと把握してください。

2. Cutting装置を点検し、正しく取り付けられ、調整されていることを確認します。Cutting装置の点検方法 29 ページを参照してください。
3. 燃料タンクを充填します。燃料の充填方法 25 ページを参照してください。
4. オイルタンクにオイルを注入し、油面をチェックします。油面のチェックを行うには 24 ページを参照してください。

燃料の充填方法

使用可能な場合は、低排出 / アキレートガソリンを使用してください。低排出 / アキレートガソリンを使用でき

ない場合は、高品質の無鉛プレミアムガソリンを使用するか、オクタン価が 90 以上の無鉛ガソリンを使用してください。



注意：オクタン価が 90 RON (87 AKI) 未満のガソリンは使用しないでください。本製品が損傷する場合があります。

1. 燃料タンクキャップをゆっくりと開いて、圧力を解放します。
2. 燃料缶を使用してゆっくり補充してください。燃料をこぼした場合は、布で拭き取り、残った燃料を乾燥させてください。
3. 燃料タンクキャップの周囲をきれいにしてください。
4. 燃料タンクキャップを完全に締め込んでください。燃料タンクキャップが締め込まれていない場合、火災発生の危険があります。
5. 始動する前に燃料を入れた場所から本製品を 3 m (10 フィート) 以上移動させてください。

刈高の設定方法

刈高は 9 段階に調節できます。

1. 刈高を上げるには、刈高コントロールをホイールの方向に押してから後方に押します。
2. 刈高を下げるには、刈高コントロールをホイールの方向に押してから前方に押します。(図 28)



注意：刈高を低く設定しすぎないでください。芝生の表面が水平でない場合、ブレードが地面に当たるとおそれがあります。

本製品の始動方法

1. 製品の後ろに立ってください。
2. エンジンブレーキハンドルをハンドルバーの方へ引きます。(図 29)
3. 右手でスターターロープハンドルを握ります。
4. 抵抗を感じるまで、スターターロープをゆっくりと引き出します。
5. 力を入れて引き、エンジンを始動します。



警告：スターターロープを手で巻き付けしないでください。

ドライブホイールの使用方法

- ハンドルバーの方向にドライブレバーを引きます。(図 30)
- 製品を後ろ向きに引く場合は、まずドライブを解除し、製品を約 10 cm 前方に押してから行ってください。
- 障害物に近づいたときなどは、ドライブレバーを放してドライブを解除します。

ドライブコントロールケープルの調整

- 調整ネジを使用して、ドライブコントロールケープルを調整します。(図 31)
- エンジンを停止します。必ずスパークプラグの接続を外してから、可動部品を操作してください。
- 調整ネジを反時計方向に回すと、ワイヤーが張って速度が上がります。
- 調整ネジを時計方向に回すと、ワイヤーが緩んで速度が落ちます。

本製品の停止方法

- ドライブのみを停止するには、ドライブレバーを解除します。
- エンジンを停止するには、エンジンブレーキハンドルを放します。(図 32)

グラスキャッチャーの取り付けと使用



警告：グラスキャッチャーが取り付けられていない場合、またはリヤデフレクターが閉じていない場合は、本製品を操作しないでください。物体が飛び出して、作業者が負傷するおそれがあります。

1. リヤデフレクターを持ち上げてマルチプラグを取り外します。(図 33)
2. グラスキャッチャーを組み立てます。グラスキャッチャーの組み付け方法 25 ページを参照してください。
3. グラスキャッチャーをブラケットに取り付けます。(図 34)
4. リヤデフレクターを外し、グラスバッグフレームの上に置きます。

マルチングモードへの変更

本製品のマルチングモードでは、刈り取った芝をより小さくすることができます。その後、刈り取った芝を芝生の上に撒きます。マルチングされた芝は、すぐに生分解されて芝生の養分となります。

1. グラスバッグが取り付けられている場合は、バックシールドを持ち上げて、取り外します。
2. コレクターにマルチプラグを取り付けます。(図 35)
3. バックシールドを閉じて、マルチプラグがしっかりと保持されていることを確認します。(図 36)

リヤサイドディスプレイモードへの変更

1. リヤデフレクターを持ち上げてマルチプラグを取り外します。(図 37)
2. 排出口を取り付けます。(図 38)

グラスキャッチャーを空にする



注意： 摩耗防止のため、グラスキャッチャーを空にする際、バッグを引きずらないようにしてください。

1. フレームハンドルを使ってグラスキャッチャーを持ち上げます。(図 39)
2. ハンドルの下から、グラスキャッチャーの芝を捨てます。
3. フレームハンドルとバッグハンドルを使用して、バッグから芝を除去します。

良好に芝を刈る方法

- 必ず鋭利なブレードを使用してください。ブレードが鈍っていると、刈り取りにばらつきが出て、芝の

切口が黄ばみます。鋭利なブレードを使用すると、鈍いブレードを使用した場合より労力が少なくて済みます。

- 芝の長さの 1/3 以上刈らないでください。まず刈高を高く設定して刈ります。結果を確認し、必要なレベルまで刈高を下げます。芝がかなり長い場合は、ゆっくり運転し、必要に応じて刈り取り作業を 2 回行ないます。
- 1 回目と 2 回目は別の方向に向かって刈り、芝面に筋がつかないようにします。

メンテナンス

はじめに



警告： メンテナンスを行う前に、安全に関する章をお読みになり、内容を理解してください。

本製品のすべての整備と修理作業には、特別な訓練が必要です。当社では責任をもって専門的な修理と整備作業を提供します。お客様の販売店がサービス代理店でない場合は、最寄りのサービス代理店に関する情報をお問い合わせください。

メンテナンススケジュール



注意： 製品を傾けるときは、エアフィルターを上向きにし、地面に接触しないようにしてください。エンジンが損傷する可能性があります。

メンテナンス間隔は、本製品が毎日使用されることを前提に算出されています。本製品を毎日使用しない場合は、メンテナンス間隔が変わります。

「*」が付いているメンテナンスについては、「**本製品の安全装置 23 ページ**」を参照してください。

メンテナンス	毎日	毎週	毎月
一般点検の実施	X		
油面の点検	X		
製品の洗浄	X		
カッティング装置の点検	X		
カッティングカバーの点検*	X		
エンジンプレーキハンドルの点検*	X		
ブレードプレーキコントロールの点検*	X		
マフラーの点検*		X	
スパークプラグの点検		X	
オイルの交換 (最初は 5 時間の使用後、その後は 50 時間の使用ごと)			X
エアフィルターの清掃または交換			X
燃料システムの点検			X

一般点検の実施方法

- 本製品のナットとネジがしっかりと締め込まれていることを確認してください。

製品外部を洗浄するには

- ブラシで、葉、草、土を取り除いてください。
- エンジン上部の空気取り込み口が塞がれていないことを確認してください。
- 本製品の清掃には高圧水を使用しないでください。
- 水を使用して製品を洗浄する場合は、エンジンに直接水をかけないでください。

カッティングカバーの内側の表面を清掃するには

- 燃料タンクを空にします。
- マフラーを下にして、製品を横向きに置きます。



注意：製品にエアフィルターを取り付けている場合は、エンジンが破損する場合があります。

- ホースを使ってカッティングカバーの内側の表面を水で洗浄します。

水ホースコネクターの使用

- 本製品を、芝刈りした場所または別の硬い地面に移動します。
- 本製品からグラスキャッチャーまたはマルチプラグを取り外します。
- リヤデフレクターを閉じます。
- 水ホースを水ホースコネクターに接続します。(図 40)
- 水の供給を停止し、水ホースコネクターに漏れがないか点検します。
- 漏れがない場合は、エンジンを始動します。本製品のハウジングの下がきれいになるまで、エンジンを運転します。
- エンジンを止めます。
- 水の供給を停止し、ホースを水ホースコネクターから取り外します。

注記：エンジンの作動中は、水ホースコネクターから水ホースを取り外さないでください。エンジンに水が混入すると、エンジンの寿命が短くなる可能性があります。

- エンジンを始動し、丸1分間運転して製品に残った水分を除去します。

エンジンオイルの交換方法



警告：エンジンの停止直後は、エンジンオイルが非常に高温になっています。エンジンオイル排出前にエンジンを冷ましてください。エンジンオイルが皮膚に触れた場合は、石鹸と水で洗ってください。

- 燃料タンクが空になるまで、製品を運転してください。
- スパークプラグからイグニッションケーブルを取り外します。
- オイルタンクキャップを取り外します。
- エンジンオイルを収集するために製品の下にコンテナを置きます。
- オイルタンクからエンジンオイルを抜き取るために製品を傾けます。
- 主要諸元 32 ページで推奨されているタイプの新しいエンジンオイルを充填します。
- 油面をチェックします。油面のチェックを行うには 24 ページを参照してください。

スパークプラグを点検するには



注意：必ず、推奨されている種類のスパークプラグを使用してください。スパークプラグの種類が間違っていると、本製品が破損するおそれがあります。

- エンジンのパワーが出ない、なかなか始動しない、またはアイドリング速度で適切に動作しない場合は、スパークプラグを点検します。
- スパークプラグ電極に異物が付着するリスクを下げるには、次の手順に従います。
 - アイドリング速度が正しく調整されていることを確認します。
 - 適切な燃料混合物を使用していることを確認します。
 - エアフィルターに汚れないことを確認します。
- スパークプラグが汚れていたら、きれいにしてから電極ギャップが適切であることを確認します。主要諸元 32 ページを参照してください。(図 41)
- 必要に応じてスパークプラグを交換します。

エアフィルターの清掃方法

- エアフィルターカバーを取り外して、フィルターを取り出します。
- フィルターを平らな面に当てて、粒子を落としませう。



注意：エアフィルターの清掃に溶剤や圧縮空気を使用しないでください。

- エアフィルターを再び取り付けます。エアフィルターとエアフィルターホルダーとの間に隙間ができないようにしてください。
- エアフィルターカバーを再び取り付けます。

注記：長期間使用したエアフィルターの汚れを完全に除去することはできません。定期的にエアフィルターを交換します。破損したエアフィルターは必ず交換してください。

カッティング装置の点検方法



警告： 誤って始動しないように、イグニッションケーブルをスパークプラグから取り外します。



警告： カッティング装置のメンテナンスを実施するときは、保護グローブを着用してください。ブレードは非常に鋭利なため、切り傷を負う危険性があります。

1. カッティング装置に損傷やひび割れがないかどうか点検してください。損傷したカッティング装置は必ず交換してください。
2. ブレードが破損していないが、鈍くなっているかどうかを確認してください。

注記： ブレードの目立て後は、ブレードのバランス調整が必要です。サービスセンターに依頼して、ブレードの目立て、交換、バランス調整を受けてください。製品が障害物に当たって停止した場合は、破損したブレードを交換してください。サービスセンターに依頼して、ブレードの目立てが可能かどうか、交換が必要かどうかを判断してもらってください。

ブレードの組み立て方法

1. ブレードアダプターをエンジンクランクシャフトに置きます。アダプターのキーとクランクシャフトのキーの溝が合っていることを確認します。(図 42)
2. 必ず、ブレードの跳ね上がった端の部分をエンジンの方向に向けてブレードを取り付けてください。(図 43)
3. ブレードと製品ハウジングの間に木片を使用します。ブレードボルトを締め、時計方向に回します。
4. ボルトは必ず 35~40 ft lbs (47~54 Nm) のトルクで締め込みます。(図 44)

トランスミッション組み立ての概要

(図 2)

1. マルチプラグ
2. リヤインサート
3. トランスミッションプーリー
4. アイドラプブラケット
5. トランスミッションカバー
6. ブレードアダプター
7. アイドラププーリー
8. フロントベルトキーパー
9. リング
10. ブレード
11. ハードワッシャー
12. ロックワッシャー
13. ブレードボルト

5. スパークプラグケーブルがエンジンに接続されていないことを確認します。



注意： 誤って始動しないようにするために、必ずスパークプラグケーブルの接続を外し、ワイヤーをスパークプラグに触れない場所に置きます。

6. 手でブレードを引き回して、引っかかりなく回転するかどうかを確認します。

ブレードの交換方法

1. ブレードを木製ブロックでロックします。(図 45)
2. ブレードボルトを取り外します。
3. ブレードを外します。
4. ブレードサポートとブレードボルトに破損がないかどうか点検します。
5. エンジンシャフトが曲がっていないかどうか点検します。
6. 新しいブレードを取り付けるときは、角度がついたブレードの端の部分をカッティングカバー方向に向けます。(図 46)
7. ブレードがエンジンシャフトの中心と合っていることを確認します。
8. ブレードを木製ブロックでロックします。スプリングワッシャーを取り付け、ボルトとワッシャーを 47-54 Nm のトルクで締め付けます。(図 47)
9. 手でブレードを引き回して、引っかかりなく回転することを確認します。



警告： 丈夫な作業用手袋を着用してください。ブレードは非常に鋭利なため、切り傷を負う危険性があります。

10. 製品を始動してブレードのテストを実施します。ブレードが正しく取り付けられていない場合、製品に振動が発生するが、良好な刈り取り結果を得られません。

14. ベルトカバー

駆動ベルトの取り外し

1. 燃料タンクが空になるまで、本製品を運転してください。
2. スパークプラグから、スパークプラグキャップを外します。
3. マフラーを下にして、製品を横向きに置きます。



注意： 製品にエアフィルターを取り付けている場合は、エンジンが破損することがあります。

4. ドライブカバーを取り外します。(図 48)

5. ブレードボルト、ロックワッシャー、ハードワッシャー、ブレードを取り外します。(図 49)
6. マルチプラグを取り外します。(図 50)
7. リヤインサートを取り外します。
8. ベルトカバーとリングを取り外します。(図 51)
9. トランスミッションからケーブルを取り外し、アイドルプーリーをアイドルアセンブリから取り外します。
10. フロントベルトキーパーを取り外します。
11. トランスミッションプーリーからドライブベルトを取り外します。
12. アイドラーアセンブリからアイドルプーリー 3 個を取り外します。(図 52)
13. ブレードアダプターとアイドルアセンブリからドライブベルトを取り外します。(図 53)
14. ロックプライヤーでトランスミッションのインプットシャフトを固定します。9/16 インチボックスレンチを用いてエンジンプーリーを緩め、トランスミッションプーリーを取り外します。
15. 駆動ベルトを取り外します。

トラブルシューティング

問題	考えられる原因	解決策
エンジンが始動しない。	イグニッションケーブルが正しく接続されていません。	イグニッションケーブルをスパークプラグに接続します。
	燃料タンクが空です。	燃料タンクに適切なタイプの燃料を充填します。
	キャブレターまたは燃料ラインに異物があります。	キャブレターまたは燃料ラインを清掃します。
	スパークプラグに不具合があります。	電極間隔を調節するか、スパークプラグを清掃または交換します。
エンジンが停止しない。	停止機構に不具合があります。	スパークプラグからイグニッションケーブルを外してください。本製品の修理は販売店に依頼してください。
エンジンがスムーズに動作しない。	イグニッションケーブルが正しく接続されていません。	イグニッションケーブルをスパークプラグに接続します。
	燃料ラインに汚れがあるか、燃料が古くなっています。	燃料ラインを清掃します。適切な種類の新しい燃料を燃料タンクに充填します。
	燃料タンクキャップに詰まりがあります。	燃料タンクキャップを清掃します。
	燃料系統に水または汚れが入っています。	燃料タンクを空にします。適切な種類の新しい燃料を燃料タンクに充填します。
	エアフィルターが汚れています。	エアフィルターを清掃します。
	キャブレターを調整する必要があります。	販売店にキャブレターの調整を依頼してください。
エンジンが過熱しています。	エンジンオイルレベルが低すぎます。	エンジンオイルを充填します。
	エアフローが十分ではありません。	エアフィルターとエアフィルターハウジングを清掃します。
	キャブレターを調整する必要があります。	販売店にキャブレターの調整を依頼してください。
高速運転中にエンジンが失火する。	スパークプラグの電極間隔が小さすぎます。	電極間隔を調整します。

問題	考えられる原因	解決策
エンジンがアイドリング速度でスムーズに動作しない。	スパークプラグに汚れや不具合があるか、電極間隔が大きすぎます。	電極間隔を調節するか、スパークプラグを交換します。
	キャブレターを調整する必要があります。	キャブレターを調整します。
	エアフィルターが汚れています。	エアフィルターを清掃します。
ハンドルの振動が大きすぎる。	ブレードが緩んでいるか、ブレードのバランスが取れていません。	ブレードボルトを締め込みます。ブレードが損傷している場合は、交換します。
	ブレードが曲がっています。	ブレードが損傷している場合は、交換します。
刈った芝がマルチになっていません。	芝が濡れています。	芝が濡れている場合は、本製品を運転しないでください。芝が乾くまで待ちます。
	芝の高さが高すぎます。	まず刈高を高く設定して刈ります。刈高を下げ、もう一度刈ります。 一度に刈幅の半分だけ刈ります。
	1つ以上のブレードが十分に鋭利ではありません。	ブレードの目立てまたは交換を行います。
芝が不規則に刈り取られる。	ホイールが正しい位置にありません。	4個のホイールすべての刈高を同じ高さに設定します。
	1つ以上のブレードが十分に鋭利ではありません。	ブレードの目立てまたは交換を行います。
駆動装置が正しく動作しない	ドライブベルトが十分に締め付けられていないか、プーリーまたはドライブベルトに汚れがあります。	販売店に駆動装置のメンテナンスを依頼してください。

搬送、保管、廃棄

搬送と保管

- 本製品と燃料を保管、搬送する場合は、漏れや煙がないことを確認してください。電気装置やボイラーなどからの火花や裸火により、火災が発生する場合があります。
- 燃料を保管、搬送する場合は必ず、認証されたコンテナを使用してください。
- 本製品を長期間、保管場所に入れる場合は、燃料タンクを空にしてください。燃料は適切な廃棄場所に廃棄してください。
- 搬送中は本製品を安全に接続して、損傷や事故を防止してください。
- 本製品は鍵のかかる場所に保管して、子供や許可を得ていない人が近づけないようにしてください。
- 本製品は、乾燥した霜の降らない場所に保管します。

廃棄

- 地域のリサイクル要件および適用される法規に従ってください。
- すべての化学物質（エンジンオイルや燃料など）はサービスセンターまたは適切な廃棄場所に廃棄してください。
- 本製品が不要になった場合は、Husqvarna 販売店に送付するか、リサイクル施設で廃棄してください。

主要諸元

主要諸元

	LC 353AWD
エンジン	
ブランド	ホンダ
排気量、立方インチ / cm ³	10.1/166
最大運転エンジン速度、min ⁻¹	3200
公称エンジン出力、kW/hp @ r/min ⁶	3.6/4.9 @ 2900-3200
イグニションシステム	
スパークプラグ	NGK BPR5ES
電極間隔、インチ / mm	0.028/0.7
燃料および潤滑システム	
燃料、無鉛、最小オクタン価	90 RON / 87 AKI
燃料タンク容量、米国ガロン / リットル	0.24/0.91
オイルタンク容量、米国ガロン / リットル	0.11/0.40
エンジンオイル ⁷	SAE 30 / SAE 10W-30
質量	
燃料タンクが空の場合、lb/kg	85.1/38.6
騒音排出⁸	
音響パワーレベル、測定 dB (A)	95.02
音響パワーレベル、保証 L _{WA} dB (A)	96
音量レベル⁹	
使用者の耳における音圧レベル、dB (A)	83.3
振動レベル¹⁰	
ハンドル (左 / 右)、m/s ²	4.96/6.28
カッティング装置	

⁶ 表示エンジンの電気定格は、(指定 r/min での) 平均実質電気出力で、SAE 基準 J1349/ISO1585 で測定したエンジンモデル向けの一般生産エンジンに対応しています。大量生産用エンジンは、この値と異なることがあります。最終製品に据え付けたエンジンの実際の電気出力は、運転スピード、環境状態およびその他の値によって異なります。

⁷ SJ 以上のエンジンオイルを使用してください。エンジンメーカーのマニュアルに記載されている粘度チャートを参照し、予想される外気温に基づいて最適な粘度を選択してください。

⁸ 環境における騒音の排出は、EC 指令 2000/14/EC に従って、音響パワー (L_{WA}) として測定。報告データによれば、環境への騒音排出の一般的な統計上のばらつき (標準偏差) は、0.54 dB (A) です。

⁹ 騒音音圧レベルは ISO 5395 に準拠。報告データによれば、騒音音圧レベルの一般的な統計上のばらつき (標準偏差) は、3.0 dB (A) です。

¹⁰ 振動レベルは ISO 5395 に準拠。報告データによれば、振動レベルの一般的な統計上のばらつき (標準偏差) は、1.5 m/s²

	LC 353AWD
刈高、インチ / mm	1.0-4.0/25.4-101.6
刈幅、インチ / cm	21/53
ブレード	
製品番号	586 85 96-02
グラスキャッチャーの容量、ft ³ / リットル	2.3/65
ドライブ	
速度、mph/km/h	0-3/0-4.8

EC 適合宣言の内容

SE 561 82 Huskvarna, SWEDEN に所在する Huskvarna AB は、以下の製品

説明	燃焼機関駆動の手押し式芝刈機
ブランド	Huskvarna
プラットフォーム / タイプ / モデル	プラットフォーム E21THV、代表モデル LC 353AWD。
バッチ	2019 年以降の製造番号

が以下の EU 指令および規制を完全に順守し、

指令 / 規制	説明
2006/42/EC	「機械類に関する」
2014/30/EU	「電磁環境適合性に関する」
2000/14/EU、2005/88/EC	「屋外の騒音に関する」
2011/65/EU	「特定有害物質の使用制限」

整合規格および / または技術仕様が適用されていることを当社単独の責任で宣言します。 EN ISO 12100, ISO 5395-1+A1/A2, ISO 5395-2+A1/A2, EN ISO 14982, ISO 3744, ISO 11094, EN 1032

指令 2000/14/EC の付録 VI に従って、宣言した音響値はこの取扱説明書の主要諸元のセクションと署名済み EC 適合宣言に記載されています。

出荷される燃焼機関駆動の手押し式芝刈機は、テストに合格したサンプル品と同等のものです。

2000/14/EC 試験機関 : Intertek Testing & Certification Ltd (notified body 0359) Davy Avenue, Knowlhill, Milton Keynes, MK5 8NL.

목차

서문.....	34	고장 수리.....	42
안전성.....	35	운송, 보관 및 폐기.....	44
조립.....	38	기술 정보.....	45
작동.....	38	EC 준수 선언문의 내용.....	46
유지 보수.....	39		

서문

제품 설명

이 제품은 연소 엔진으로 구동되는 보행자 제어식 잔디 깎기 기계입니다. 풀은 풀받이 통에 모입니다. 풀받이 통을 제거하여 잔디를 뒤쪽으로 배출합니다. 뿌리 덮개 키트를 부착하여 풀을 잘라 비료로 만드십시오.

제품 개요

(그림 1)

1. 엔진 브레이크 핸들
2. 구동 레버
3. 시동기 로프 핸들
4. 풀받이 통
5. 연료 탱크 캡
6. 공기 여과기
7. 점화 플러그
8. 드라이브 덮개
9. 소음기
10. 물 호스 연결
11. 후면 전향기
12. 계량봉/오일 탱크
13. 절단 높이 제어
14. 뿌리 덮개 플러그
15. 사용자 설명서
16. 배출 활송 장치

제품의 기호

- (그림 3) 경고: 본 제품은 위험할 수 있고 작업자 또는 다른 사람에게 심각한 부상이나 사망을 초래할 수 있습니다. 제품을 조심해서 올바르게 사용하십시오.
- (그림 4) 제품을 사용하기 전에 사용자 설명서를 주의 깊게 읽고 지침을 숙지하십시오.
- (그림 5) 빠름
- (그림 6) 느림
- (그림 7) 회전부에서 손과 발을 멀리하십시오.
- (그림 8) 사람과 동물이 작업 구역으로부터 안전거리를 유지하도록 합니다.

고유 용도

이 제품을 사용하여 개인 정원에서 잔디를 자르십시오. 제품을 다른 작업에 사용하지 마십시오.

(그림 9) 기계를 추진할 때 주의하십시오. 기계 뒤쪽과 아래에 어린이, 동물 또는 사용자의 추락을 유발할 수 있는 다른 요인이 있는지 살펴봅시다.

(그림 10) 경사면에서 기계를 작동하는 것은 위험할 수 있습니다.

(그림 11) 회전 날에서 손과 발을 멀리하십시오.

(그림 12) 튕겨지거나 스쳐 날아가는 물체를 주의하십시오.

(그림 13) EC 지침에 따른 환경에 대한 소음 배출량입니다. 본 제품의 배출에 대한 내용은 *기술 정보 페이지의 45와(과)* 라벨에 명시되어 있습니다.

(그림 14) 이 제품은 적용 가능한 모든 EC 지침 조항을 준수합니다.

(그림 15) 이 제품은 적용 가능한 EAC 지침 조항을 준수합니다.

(그림 16) 이 제품은 적용 가능한 RCM 지침 조항을 준수합니다. 호주/뉴질랜드에만 적용됩니다.

(그림 17) 이 제품은 적용 가능한 Ukraine 지침 조항을 준수합니다.

(그림 18) 인가된 청각 보호 장구를 사용하십시오.

주: 제품에 대한 여타 기호/그림은 기타 상업 지역의 인증 요구사항을 나타냅니다.

유로 V 배출기준



경고: 엔진을 개조하면 이 제품의 EU 형식 승인 이 무효화됩니다.

제품 책임

제조물 책임법에 언급된 바와 같이, 당사는 다음과 같은 경우에 당사 제품이 초래한 손해에 대한 법적 책임이 없습니다.

- 제품이 올바르게 수리된 경우
- 제품이 제조업체에서 제공하지 않았거나 승인하지 않은 부품으로 수리된 경우
- 제품에 제조업체에서 제공하지 않았거나 승인하지 않은 액세서리가 있는 경우
- 제품이 인가된 서비스 센터 또는 인가된 기관에서 수리되지 않은 경우

안전성

안전 정의

설명서에서 특히 중요한 부분을 가리킬 때 경고, 주의 및 주가 사용됩니다.



경고: 설명서의 지시사항을 준수하지 않을 경우 작업자나 옆에 있던 사람이 부상을 입거나 사망할 위험이 있을 때 사용됩니다.



주의: 설명서의 지시사항을 준수하지 않을 경우 제품, 다른 재료 또는 인접한 지역에서 피해가 발생할 위험이 있을 때 사용됩니다.

주: 주어진 상황에 대한 정보를 추가로 제공할 때 사용됩니다.

일반 안전 지침



경고: 제품을 사용하기 전에 다음 경고 지침을 읽으십시오.

- 이 제품은 잘못 사용하거나 주의하지 않을 경우 위험합니다. 안전 지침을 따르지 않으면 부상 또는 사망 사고가 발생할 수 있습니다.
- 본 제품은 작동 중 전자기장을 발생시킵니다. 일부 상황에서 전자기장 발생은 능동적 또는 수동적 의료 삽입물을 방해합니다. 의료 삽입물을 사용하는 경우, 심각하거나 치명적인 사고의 위험을 줄이기 위하여 본 제품을 작동하기 전에 전문의 및 의료 삽입물 제조사와 상담하실 것을 권장합니다.
- 항상 조심하며 상식에 근거해 판단하십시오. 특별한 상황에서 작동 방법을 잘 모르는 경우 기계를 정지하고 작업을 계속하기 전 Husqvarna 판매처에 문의하십시오.
- 작업자는 다른 사람 또는 재산과 관련된 사고에 대한 책임을 져야 함을 명심하십시오.
- 제품은 청결해야 합니다. 표지와 도안을 명확하게 읽을 수 있는지 확인합니다.
- 사용자 설명서의 내용을 읽고 이해한 사람이 아니면 기계를 작동하지 않도록 합니다.
- 어린이가 제품을 작동하지 못하게 하십시오.
- 어린이가 작업 구역에 접근하지 못하도록 하십시오. 성인 보호자가 항상 함께 있어야 합니다.

- 지침을 숙지하지 않은 사람이 제품을 작동하지 못하게 하십시오.
- 신체적 능력이나 정신 능력이 저하된 상태에서 제품을 사용하는 사람은 항상 모니터링하십시오. 성인 보호자가 항상 함께 있어야 합니다.
- 피곤하거나, 아프거나, 알코올이나 약물의 효과가 나타나거나 동안에는 제품을 사용하지 마십시오. 이러한 제품은 시력, 각성, 협력 및 판단력에 부정적인 영향을 미칩니다.
- 결함이 있는 제품은 사용하지 마십시오.
- 다른 사람이 변경했을 가능성이 있는 경우 이 기계를 변경하거나 사용하지 마십시오.

작업 영역의 안전



경고: 제품을 사용하기 전에 다음 경고 지침을 읽으십시오.

- 제품을 사용하기 전 작업 영역에서 가지, 나뭇가지 및 돌과 같은 물체를 제거하십시오.
- 절단 장비에 부딪히는 물체가 튀겨 나와 사람과 물체에 손상을 줄 수 있습니다. 구경하는 사람과 동물들이 제품으로부터 안전거리를 유지하도록 합니다.
- 안개, 비, 강풍, 흑한 및 번개가 칠 수 있는 악천후에는 제품을 사용하지 마십시오. 악천후나 젖은 장소에서 제품을 사용하는 것은 힘든 일입니다. 악천후는 미끄러운 노면과 같은 위험한 상황을 유발할 수 있습니다.
- 제품의 안전한 작동을 방해할 수 있는 사람, 물체 및 상황을 조심하십시오.
- 뿌리, 돌, 나뭇가지, 구덩이 및 도랑 등의 장애가 있는 지 주의합니다. 긴 잔디는 장애물을 가릴 수 있습니다.
- 경사면에서 잔디를 자르는 것은 위험할 수 있습니다. 경사가 15°를 초과하는 지면에서는 제품을 사용하지 마십시오.
- 경사의 표면을 따라 제품을 작동합니다. 기계를 위아래로 움직이지 마십시오.
- 숨겨진 구석이나 시야를 가릴 수 있는 장애물 근처에 갈 때 주의하십시오.

작업 안전



경고: 제품을 사용하기 전에 다음 경고 지침을 읽으십시오.

- 잔디를 절단하는 용도로만 이 제품을 사용하십시오. 다른 작업에는 이 기계를 사용할 수 없습니다.
- 개인 보호 장구를 사용하십시오. *개인 보호 장구 페이지의 36*(를) 참조하십시오.
- 비상시 엔진을 신속하게 정지하는 방법을 알고 있어야 합니다.
- 밀폐된 공간 또는 인화성 물질 근처에서 엔진을 사용하지 마십시오. 엔진에서 배기되는 가스는 매우 뜨거우며 화재를 발생시킬 수 있는 불꽃이 생길 수 있습니다.
- 날과 모든 덮개가 올바르게 부착되어 있지 않으면 제품을 작동하지 마십시오. 잘못 부착된 날은 헐거워져 상처를 입을 수 있습니다.
- 날이 돌이나 뿌리와 같은 물체에 부딪히지 않도록 주의하십시오. 이는 날에 손상을 줄 수 있으며 엔진 축이 구부러질 수 있습니다. 축이 구부러지면 심한 진동이 발생하고 날이 느슨해질 위험이 매우 높습니다.
- 날이 물체에 부딪히거나 진동이 발생하면 즉시 제품을 정지시키십시오. 점화 플러그에서 점화 케이블을 분리하십시오. 제품이 손상되지 않았는지 검사합니다. 손상된 부분을 수리하거나 인가된 서비스 대리점에 수리를 맡기십시오.
- 엔진이 시동될 때 엔진 브레이크 핸들을 절대 핸들에 영구적으로 부착하지 마십시오.
- 제품을 안정되고 평평한 지면 위에 놓고 시동시킵니다. 날이 지면 또는 기타 물체에 부딪히지 않게 합니다.
- 제품을 작동할 때는 항상 제품 뒤에 있어야 합니다.
- 제품을 작동할 때 모든 휠이 지면에 머물러 있도록 한 다음 핸들을 두 손으로 잡습니다. 회전 날에서 손과 발을 멀리하십시오.
- 엔진이 구동되면 제품을 기울이지 마십시오.
- 제품을 뒤로 당길 때 주의하십시오.
- 엔진이 시동될 때 제품을 들어 올리지 마십시오. 제품을 들어올려야 하는 경우, 먼저 엔진을 정지하고 점화 케이블을 점화 플러그에서 분리하십시오.
- 제품이 작동될 때 뒤쪽으로 걸지 않도록 합니다.
- 자갈, 석재 및 아스팔트로 이루어진 길과 같이 잔디가 없는 지역을 가로질러 이동할 때는 엔진을 정지합니다.
- 엔진을 시동했을 때 기계와 함께 뛰지 않도록 합니다. 제품을 사용할 때는 항상 걸어야 합니다.
- 절단 높이를 변경하기 전 엔진을 정지합니다. 엔진이 시동 걸린 상태에서는 절대 조정하지 마십시오.
- 엔진이 시동 걸린 후에는 기계가 시야에서 벗어나지 않도록 합니다. 엔진을 정지하고 절단 장비가 회전하지 않는지 확인하십시오.
- 막힘의 조정, 검사, 교체 또는 제거하기 전에 제품을 중지하고 날을 완전히 정지시키십시오. 회전하는 날은 부상을 유발할 수 있습니다. 회전하는 동안에는 칼날을 만지지 마십시오.

작동에 대한 안전 지침

개인 보호 장구



경고: 제품을 사용하기 전에 다음 경고 지침을 읽으십시오.

- 개인 보호 장구가 상처를 완전히 방지할 수는 없지만 사고가 발생할 경우 부상의 정도를 줄일 수 있습니다. 대리점에서 올바른 장비를 선택할 수 있도록 하십시오.
- 소음 수준이 85dB 이상인 경우 청력 보호 장비를 사용하십시오.
- 튼튼한 미끄럼 방지 부츠 또는 신발을 착용하십시오. 발가락 부분이 트인 신발을 착용하거나 맨발로 작업하지 마십시오.
- 무겁고 긴 바지를 착용합니다.
- 절단 장비를 부착하거나, 검사 또는 청소하는 경우처럼 필요한 경우 보호용 장갑을 착용하십시오.

제품의 안전장치



경고: 제품을 사용하기 전에 다음 경고 지침을 읽으십시오.

- 안전장치에 결함이 있는 제품은 절대로 사용하지 마십시오.
- 안전장치를 정기적으로 점검하십시오. 안전장치에 결함이 있는 경우 Husqvarna 서비스 대리점에 문의하십시오.

절단용 덮개 점검 방법

절단용 덮개는 제품의 진동을 줄이고 날로 인한 부상의 위험을 줄여줍니다.

- 절단 덮개를 검사하여 균열과 같은 손상이 없는지 확인합니다.

엔진 브레이크 핸들 점검 방법

엔진 브레이크 핸들이 엔진을 정지시킵니다. 엔진 브레이크 핸들이 놓으면 엔진이 정지합니다.

- 엔진을 시동한 다음 엔진 브레이크 핸들을 놓습니다. 엔진이 3초 이내에 정지하지 않을 경우 Husqvarna공인 서비스 대리점에서 엔진 브레이크를 조정하도록 합니다. (그림 19)

후방 전자기 점검 방법

후방 전자기는 물체가 운전자 방향으로 튕겨나올 위험을 줄여줍니다.

- 후방 전자기기 손상되지 않았는지 확인합니다. (그림 20)
- 후방 전자기기를 달는 스프링이 파손되지 않았는지 확인하십시오.
- 파손된 스프링과 손상된 부품을 교체합니다.
- 힌지 위에서 후방 전자기기가 부드럽게 움직일 수 있는지 확인하십시오.

소음기

소음기는 소음 수준을 최소로 유지하고 배기가스를 작업 자리부터 멀리 보냅니다.

소음기가 없거나 결함이 있는 경우에는 제품을 사용하지 마십시오. 소음기에 결함이 있으면 소음 수준과 화재 위험이 증가합니다.



경고: 소음기는 사용 중, 사용 후, 그리고 엔진이 공전 속도로 작동할 때 매우 뜨거워집니다. 화재를 방지하기 인화성 물질 및/또는 가스 근처에서는 주의하십시오.

소음기 점검 방법

- 소음기가 올바르게 부착되어 있고 손상이 없는지 정기적으로 검사하십시오.

오일 수위 점검 방법



주의: 오일 수위가 너무 낮으면 엔진이 손상될 수 있습니다. 제품을 작동하기 전 오일 수위를 점검하십시오.

1. 제품을 평평한 바닥에 놓습니다.
2. 계량봉이 부착된 오일 탱크 캡을 제거하십시오.
3. 계량봉에서 오일을 청소합니다.
4. 오일 수위를 정확하게 확인하려면 계량봉을 오일 탱크에 완전히 넣으십시오.
5. 계량봉을 분리합니다.
6. 계량봉에서 오일 수위를 검사합니다.
7. 오일 수위가 낮으면 엔진 오일을 채우고 오일 수위를 다시 점검합니다.

진동 안전

이 제품은 가끔씩 작동하는 용도로만 사용하십시오. 제품을 지속적으로 또는 정기적으로 사용하면 진동으로 인한 "백랍병" 또는 이와 동등한 의학적 문제가 발생할 수 있습니다. 제품을 지속적으로 또는 정기적으로 사용하는 경우 손과 손가락의 상태를 검사하십시오. 손이나 손가락에 변색이 있거나 통증이 있거나 쭈서거나 마비되는 경우 즉시 작업을 중단하고 의사와 상담하십시오.

연료 안전



경고: 제품을 사용하기 전에 다음 경고 지침을 읽으십시오.

- 제품에 연료나 엔진 오일이 있으면 제품을 시동하지 마십시오. 불필요한 연료/오일을 제거하고 제품을 건조하십시오.
- 옷에 연료가 묻은 경우 즉시 옷을 갈아 입으십시오.
- 몸에 연료가 묻지 않도록 하십시오. 부상을 입을 수 있습니다. 몸에 연료가 묻으면 비누와 물을 사용하여 연료를 제거하십시오.

- 엔진에 누출이 있는 경우 제품을 시동하지 마십시오. 엔진 누출을 정기적으로 검사하십시오.
- 연료에 주의하십시오. 연료는 인화성이고 연기는 폭발성이 있으며 부상 또는 사망 사고를 초래할 수 있습니다.
- 연료 연기를 흡입하지 마십시오. 부상을 입을 수 있습니다. 충분한 공기 흐름이 있는지 확인하십시오.
- 연료나 엔진 근처에서 담배를 피우지 마십시오.
- 연료나 엔진 근처에 따뜻한 물건을 올려놓지 마십시오.
- 엔진이 켜져 있을 때 연료를 보충하지 마십시오.
- 연료를 공급하기 전에 엔진이 냉각되었는지 확인하십시오.
- 연료를 공급하기 전에 연료 탱크 캡을 천천히 열고 조심스럽게 압력을 해제하십시오.
- 실내에서 엔진에 연료를 추가하지 마십시오. 공기 흐름이 충분하지 않으면 질식이나 일산화탄소로 인한 부상이나 사망 사고를 초래할 수 있습니다.
- 연료 탱크 캡을 완전히 조이십시오. 연료 탱크 캡이 조여 있지 않으면 화재의 위험이 있습니다.
- 시동하기 전에 탱크를 채운 위치에서 최소 3m(10ft) 떨어진 곳으로 제품을 옮기십시오.
- 연료 탱크를 완전히 채우지 마십시오. 열로 인해 연료가 팽창합니다. 연료 탱크 상단의 공간을 유지하십시오.

유지 보수에 대한 안전 지침



경고: 제품을 사용하기 전에 다음 경고 지침을 읽으십시오.

- 엔진에서 나오는 배기가스에는 무취의 독성이 있는 매우 위험한 가스인 일산화탄소가 포함되어 있습니다. 실내 또는 닫힌 공간에서 엔진을 작동하지 마십시오.
- 제품에 대한 유지 보수를 수행하기 전 엔진을 정지하고 점화 케이블을 점화 플러그에서 제거하십시오.
- 절단 장비에 대한 유지 보수 시 보호용 장갑을 착용하십시오. 날은 매우 날카로우므로 상처를 입기 쉽습니다.
- 제조업체에서 승인하지 않은 제품에 대한 변경 및 액세서리는 심각한 부상이나 사망을 일으킬 수 있습니다. 제품을 변경하지 마십시오. 제조업체가 승인한 부속 부품만 사용하십시오.
- 유지 보수를 정기적으로 올바르게 수행하지 않으면 제품에 대한 손상과 부상의 위험이 증가합니다.
- 사용자 설명서에 나와 있는 대로만 유지 보수를 수행하십시오. 다른 모든 서비스 작업은 승인된 Husqvarna 서비스 대리점에서 수행해야 합니다.
- 승인된 Husqvarna 서비스 대리점에서 제품에 대한 정비 작업을 정기적으로 수행하게 하십시오.
- 손상되거나 마모되거나 파손된 부품은 교체하십시오.

조립

서문



경고: 제품을 조립하기 전 '안전' 장을 읽고 이해해야 합니다.



경고: 제품을 조립하기 전 접화 플러그에서 접화 플러그 케이블을 분리하십시오.

핸들 조립 방법

1. 하부 핸들을 들어 올립니다. (그림 21)
2. 하부 핸들 하단의 구멍을 핸들 브래킷의 구멍에 맞춥니다.

주: 최적의 작동이 가능한 구멍을 선택합니다.

3. 하단 핸들 손잡이를 조입니다.
4. 위쪽 핸들을 들어올려 아래쪽 핸들과 맞춥니다.
5. 상부 핸들 손잡이를 완전히 조이십시오.

시동기 로프 핸들 장착하는 방법

1. 고리를 시동기 로프와 T자형 손잡이에 부착합니다. 완전히 조이지 마십시오. (그림 22)

2. 엔진 브레이크 핸들을 핸들바에 대십시오.
3. 시동기 로프를 천천히 당겨 시동기 로프의 고리에 넣습니다. (그림 23)
4. T자형 손잡이를 조입니다. (그림 24)

이동 위치에서 제품을 설정하는 방법

1. 풀받이 통을 제거합니다.
2. 하단 핸들 손잡이를 풀고 핸들의 잠금을 해제합니다. (그림 25)
3. 핸들을 뒤로 접으십시오.
4. 하단 핸들의 손잡이와 핀을 분리합니다.
5. 핸들을 앞으로 접으십시오.

풀받이 통 조립 방법

1. 풀받이 통의 프레임용 하단에 있는 통의 단단한 부분과 함께 풀받이 통에 부착합니다. 프레임 핸들이 통의 상부 바깥에 나와 있도록 합니다. (그림 26)
2. 킥 액션 클립으로 풀받이 자루를 프레임에 부착하십시오. (그림 27)

작동

서문



경고: 제품을 사용하기 전에 '안전' 장을 읽고 이해해야 합니다.

제품을 연결하기 전에 다음을 수행하십시오.

1. 사용자 설명서를 주의 깊게 읽고 지침을 숙지하십시오.
2. 절단 장비를 검사하여 올바르게 부착 및 조정되었는지 확인하십시오. *절단 장비 검사 방법 페이지의 41*을 참조하십시오.
3. 연료 탱크에 주입합니다. *연료 채우기 방법 페이지의 38*을 참조하십시오.
4. 오일 탱크를 채우고 오일 수위를 점검합니다. *오일 수위 점검 방법 페이지의 37*을 참조하십시오.

연료 채우기 방법

가능한 경우 저방출/알킬레이트 가솔린을 사용하십시오. 저배출/알킬레이트 가솔린을 사용할 수 없는 경우 옥탄 수가 90 이하인 양호한 품질의 무연 휘발유 또는 유연 휘발유를 사용하십시오.



주의: 옥탄가가 90 RON(87 AKI) 미만인 가솔린은 사용하지 마십시오. 그러면 제품이 손상될 수 있습니다.

1. 연료 탱크 캡을 천천히 열어 압력을 제거하십시오.
2. 연료통을 천천히 채웁니다. 연료를 얼지른 경우 천으로 닦고 남은 연료를 말려서 제거합니다.
3. 연료 탱크 마개 주변을 세척하십시오.
4. 연료 탱크 캡을 완전히 조이십시오. 연료 탱크 캡이 조여 있지 않으면 화재의 위험이 있습니다.
5. 시동하기 전에 탱크를 채운 위치에서 최소 3m(10ft) 떨어진 곳으로 제품을 옮기십시오.

절단 높이 조정하는 방법

절단 높이를 9가지 위치로 조절할 수 있습니다.

1. 절단 높이 제어장치를 휠 방향으로 민 다음 뒤쪽으로 밀어 절단 높이를 높입니다.
2. 절단 높이 제어장치를 휠 방향으로 민 다음 앞쪽으로 밀어 절단 높이를 줄입니다. (그림 28)



주의: 절단 높이를 너무 낮게 설정하지 마십시오. 잔디의 표면이 수평이 아닐 경우 날이 땅에 부딪힐 수 있습니다.

제품 시동 방법

1. 기계의 속도보다 뒤처지지 마십시오.
2. 엔진 브레이크 핸들을 핸들바에 대십시오. (그림 29)
3. 시동기 로프 핸들을 오른손으로 잡으십시오.
4. 약간의 저항이 느껴질 때까지 시동기 로프를 천천히 잡아당깁니다.
5. 힘을 주어 당겨 엔진을 시동합니다.



경고: 시동기 로프를 손에 감지 마십시오.

휠에서 드라이브 사용 방법

- 구동 레버를 핸들바 방향으로 당기십시오. (그림 30)
- 제품을 뒤쪽으로 당기기 전 드라이브를 풀고 제품을 앞으로 약 10cm 밀니다.
- 장애물 근처에 있을 때와 같이 드라이브 레버를 해제하여 드라이브를 쥘니다.

드라이브 제어 케이블 조정 방법

- 조정 나사를 사용하여 드라이브 제어 케이블을 조정하십시오. (그림 31)
- 엔진을 끕니다. 이동 가능한 부분을 작동하기 전 항상 접착 플러그를 분리하십시오.
- 조정 나사를 시계 반대 방향으로 돌려 와이어를 팽팽하게 하고 속도를 높입니다.
- 조정 나사를 시계 방향으로 돌려 와이어를 느리고 속도를 줄입니다.

제품 정지 방법

- 드라이브만 정지하려면 드라이브 레버를 놓습니다.
- 엔진을 정지하려면 엔진 브레이크 핸들을 해제하십시오. (그림 32)

풀바이 통이 있는 제품 사용 방법



경고: 풀바이 통이 설치되지 않았거나 후방 전향기가 닫히지 않은 상태에서 기계를 작동하지 마십시오. 물체가 배출되어 사용자가 상처를 입을 수 있습니다.

1. 후방 전향기를 위로 들어 올리고 뿌리 덮개 플러그를 제거하십시오. (그림 33)
2. 풀바이 통을 조립하십시오. ([풀바이 통 조립 방법 페이지의 38 참조](#)).

3. 풀바이 통을 브래킷에 놓습니다. (그림 34)
4. 후방 전향기를 분리하고 풀바이 자루 프레임 위에 올려 놓으십시오.

제품을 멀칭 모드로 변경하는 방법

제품의 멀칭 모드는 잘린 풀을 더 작게 만듭니다. 잘린 풀을 잔디밭에 뿌려 전체적으로 흩어지게 합니다. 잔디에 뿌려진 풀은 빠르게 분해되어 잔디밭에 영양소를 제공합니다.

1. 후면 실드가 설치된 경우 이를 위로 들어 올려 풀바이 자루를 제거합니다.
2. 뿌리 덮개 플러그를 수집기 통로에 연결합니다. (그림 35)
3. 후면 실드를 닫고 뿌리 덮개 플러그에 단단히 고정되도록 합니다. (그림 36)

제품을 후측면 방출 모드로 변경하는 방법

1. 후방 전향기를 위로 들어 올리고 뿌리 덮개 플러그를 제거하십시오. (그림 37)
2. 배출 활송 장치를 장착합니다. (그림 38)

풀바이 통 비우는 방법



주의: 마모를 방지하기 위해 풀바이 통을 비울 때 자루를 당기지 않도록 합니다.

1. 프레임 핸들을 사용하여 풀바이 통을 들어 올립니다. (그림 39)
2. 핸들 아래 풀바이 통에서 잘린 풀을 제거합니다.
3. 프레임 핸들과 자루 핸들을 사용하여 자루에 담긴 잘린 풀을 비웁니다.

좋은 결과를 얻는 방법

- 항상 날카로운 날을 사용하십시오. 날이 무뎨지면 모양이 불규칙해지고 잔디 절단 표면이 노란색으로 변합니다. 날카로운 날은 무딘 날보다 에너지가 적게 듭니다.
- 잔디 길이의 1/3 이상 절단하지 마십시오. 먼저 높이를 높게 설정하여 자릅니다. 결과를 조사하여 절단 높이를 적절한 수준으로 낮춥니다. 잔디가 너무 길면 천천히 작동하고 필요한 경우 2회 절단합니다.
- 잔디밭에 줄무늬가 생기지 않도록 매번 다른 방향으로 자릅니다.

유지 보수

서문



경고: 유지 보수를 수행하기 전에 '안전' 장을 읽고 이해해야 합니다.

제품의 모든 서비스 및 수리 작업을 위해서는 특수 교육이 필요합니다. 당사는 전문 수리 및 서비스 제공을 보장합니다. 판매점이 서비스 대리점이 아닌 경우 판매점에 가까운 서비스 대리점에 대한 정보를 문의하십시오.

유지 보수 일정



주의: 제품을 기울일 때 에어 필터가 바닥에 닿지 않고 위로 오도록 하십시오. 엔진 손상 위험이 있습니다.

유지 보수 간격은 제품의 일일 사용량을 기준으로 계산됩니다. 제품을 매일 사용하지 않을 경우 간격이 바뀝니다.

*로 표시된 유지보수의 경우 *제품의 안전장치 페이지*의 36의 지침을 참조하십시오.

유지 보수	매일	매주	매월
일반적인 검사를 수행합니다.	X		
오일 수위를 점검합니다.	X		
제품을 청소합니다.	X		
절단 장비를 점검합니다.	X		
절단용 덮개를 점검합니다*.	X		
엔진 브레이크 핸들 * 을 점검합니다.	X		
블레이드 브레이크 제어장치 * 를 점검합니다.	X		
소음기를 점검합니다 *		X	
점화 플러그를 점검합니다.		X	
오일을 교체합니다(처음 5시간 사용 후, 매 50시간 사용 후)			X
공기 필터를 청소 또는 교체합니다.			X
연료 시스템을 점검합니다.			X

일반적인 점검 방법

- 제품의 모든 너트와 나사가 올바르게 조여졌는지 확인하십시오.

제품을 외부에서 청소하는 방법

- 브러시를 사용하여 나뭇잎, 잔디 및 먼지를 제거하십시오.
- 엔진 상단의 공기 흡입구가 막히지 않았는지 확인하십시오.
- 고압 세척기를 사용하여 제품을 청소하지 마십시오.
- 제품을 청소할 때 물을 사용하는 경우 엔진을 직접 물로 씻지 마십시오.

절단 덮개의 내부 표면을 청소하는 방법

1. 연료 탱크를 비우십시오.
2. 소음기를 내린 상태에서 제품을 옆으로 놓으십시오.



주의: 에어 필터를 내린 상태에서 제품을 사용하면 엔진이 손상될 수 있습니다.

3. 절단 커버의 안쪽 표면을 호스 물로 씻어 내립니다.

물 호스 연결부 사용 방법

1. 기계를 절단된 잔디가 있는 지역 또는 다른 딱딱한 표면으로 옮깁니다.
2. 제품에서 풀밭이 통 또는 뿌리 덮개 플러그를 제거합니다.

3. 후방 전향기를 닫으십시오.
4. 물 호스를 물 호스 연결부에 연결합니다. (그림 40)
5. 급수를 중단하고 급수 호스 연결부에 누수가 있는지 검사합니다.
6. 누수가 확인되지 않으면 엔진을 시동하십시오. 제품이 케이스 아래에서 깨끗해질 때까지 엔진을 작동하십시오.
7. 엔진을 정지합니다.
8. 급수를 중지하고 물 호스 연결부에서 호스를 분리합니다.

주: 엔진이 작동 중인 동안에는 호스를 물 호스 연결부에서 분리하지 마십시오. 엔진 내부에 물이 있으면 엔진 수명을 줄일 수 있습니다.

9. 엔진을 시동하고 1분 동안 가동하여 제품에서 남아 있는 물을 제거하십시오.

엔진 오일 교체 방법



경고: 엔진 오일은 엔진이 정지한 직후에는 매우 뜨겁습니다. 엔진 오일을 배출하기 전 엔진을 식힙니다. 피부에 엔진 오일을 흘린 경우 비누와 물로 씻어 냅니다.

1. 연료 탱크가 비워질 때까지 제품을 작동하십시오.
2. 점화 플러그에서 점화 케이블을 분리하십시오.
3. 연료 탱크 캡을 제거합니다.
4. 제품 아래에 용기를 놓고 엔진 오일을 담습니다.

5. 제품을 기울여 오일 탱크에서 엔진 오일을 배출하십시오.
6. 기술 정보 페이지의 45에서 권장하는 유형의 새 엔진 오일을 주입하십시오.
7. 오일 수위를 점검합니다. 오일 수위 점검 방법 페이지의 37을(를) 참조하십시오.

점화 플러그 검사 방법



주의: 항상 권장되는 종류의 점화 플러그를 사용하십시오. 잘못된 점화 플러그 유형을 사용하면 제품이 손상될 수 있습니다.

- 엔진 출력이 낮거나, 시동이 쉽게 걸리지 않거나, 공전 속도에서 올바르게 작동하지 않으면 점화 플러그를 검사하십시오.
- 점화 플러그 전극에서 불필요한 물질의 위험을 줄이려면 다음 지침을 따르십시오.
 - a) 공전 속도가 올바르게 조절되었는지 확인하십시오.
 - b) 연료 혼합물이 올바른지 확인하십시오.
 - c) 공기 여과기가 깨끗한지 확인하십시오.
- 점화 플러그가 오염되어 있으면 깨끗이 청소하고 전극 갭이 올바른지 확인하십시오(기술 정보 페이지의 45 참조). (그림 41)
- 필요하면 점화 플러그를 교체하십시오.

공기 여과기 청소

1. 에어 필터 덮개를 제거하고 필터를 분리합니다.
2. 평평한 표면에 필터를 부드럽게 하여 입자가 떨어지도록 합니다.



주의: 에어 필터를 청소할 때 응제나 압축 공기를 사용하지 마십시오.

3. 에어 필터를 다시 장착합니다. 에어 필터가 에어 필터 홀더에 완전히 밀착되었는지 확인하십시오.
4. 에어 필터 덮개를 닫습니다.

주: 오랫동안 사용한 에어 필터는 완벽하게 세척할 수 없습니다. 에어 필터는 정기적으로 교체합니다. 손상된 공기 여과기는 항상 교체하십시오.

절단 장비 검사 방법



경고: 우발적인 시동을 방지하려면 점화 케이블을 점화 플러그에서 제거하십시오.



경고: 절단 장비에 대한 유지 보수 시 보호용 장갑을 착용하십시오. 날은 매우 날카로우므로 상처를 입기 쉽습니다.

1. 절단 장비에 손상 또는 균열이 있는지 확인하십시오. 손상된 절단 장비는 항상 교체하십시오.

2. 날이 손상되거나 무더졌는지 확인하십시오.

주: 날을 연마한 후에는 균형을 맞추어야 합니다. 서비스 센터에서 날을 연마하거나 교체 및 균형을 맞춥니다. 제품이 물체와 부딪혀 작동이 중단된 경우 손상된 날을 교체합니다. 서비스 센터에서 날을 연마하거나 교체해야 하는지 확인하도록 합니다.

날 조립 방법

1. 엔진 크랭크축에 날 어댑터를 놓습니다. 어댑터 및 크랭크축 키 홈에 키가 정렬되어 있는지 확인하십시오. (그림 42)
2. 날의 각진 끝이 항상 엔진 방향에서 위를 향하도록 장착합니다. (그림 43)
3. 날과 제품 케이스 사이에 나무 블록을 사용하십시오. 날의 나사를 조이고 시계 방향으로 돌리십시오.
4. 볼트는 항상 35 ~ 40ft lbs(47 ~ 54Nm)의 토크로 조이십시오. (그림 44)
5. 점화 플러그 케이블이 엔진에서 분리되었는지 확인하십시오.



주의: 우발적인 시동을 방지하려면 항상 점화 플러그 케이블을 분리하고 점화 플러그가 닿지 않는 곳에 와이어를 둡니다.

6. 손으로 날을 당겨 보아 자유롭게 회전하는지 확인합니다.

날 교체 방법

1. 나무 블록으로 날을 잠그십시오. (그림 45)
2. 날의 볼트를 제거합니다.
3. 날을 빼냅니다.
4. 날 지지대 및 날 볼트를 검사하여 손상된 부분이 있는지 확인합니다.
5. 엔진 축을 점검하여 구부러지지 않았는지 확인합니다.
6. 새 날을 부착할 때 날의 각진 끝이 절단 덮개 방향을 향하도록 합니다. (그림 46)
7. 날이 엔진 축의 중심에 맞춰 정렬되어 있는지 확인하십시오.
8. 나무 블록으로 날을 잠그십시오. 스프링 와셔를 부착하고 볼트 및 와셔를 47-54Nm의 토크로 조이십시오. (그림 47)
9. 손으로 날을 당겨 보아 자유롭게 회전하는지 확인합니다.



경고: 튼튼한 보호 장갑을 착용하십시오. 날은 매우 날카로우므로 상처를 입기 쉽습니다.

10. 제품을 시동하여 날을 시험합니다. 날이 제대로 장착되지 않으면 제품에 진동이 있거나 절단 결과가 만족스럽지 못하게 됩니다.

변속기 조립 개요

(그림 2)

1. 뿌리 덮개 플러그
2. 후면 삽입
3. 변속기 도르래
4. 아이들러 브래킷
5. 변속기 커버
6. 날 어댑터
7. 아이들러 도르래
8. 전면 벨트 키퍼
9. 링
10. 날
11. 하드 와셔
12. 잠금 와셔
13. 날 볼트
14. 벨트 커버

4. 드라이브 커버를 분리합니다. (그림 48)
5. 날 볼트, 잠금 와셔, 하드 와셔 및 날을 탈착합니다. (그림 49)
6. 뿌리 덮개 플러그를 탈착합니다. (그림 50)
7. 후면 삽입 장치를 탈착합니다.
8. 벨트 커버와 링을 탈착합니다. (그림 51)
9. 변속기에서 케이블을 분리하고 아이들러 조립부에서 아이들러 도르래를 탈착합니다.
10. 전면 벨트 키퍼를 탈착하십시오.
11. 변속기 도르래에서 드라이브 벨트를 제거하십시오.
12. 아이들러 조립부에서 3개의 아이들러 도르래를 제거하십시오. (그림 52)
13. 날 어댑터와 아이들러 조립부에서 드라이브 벨트를 제거하십시오. (그림 53)
14. 잠금 플라이어를 변속기의 입력축에 장착하십시오. 9/16" 박스 렌치로 엔진 도르래를 풀어 변속기 도르래를 탈착하십시오.
15. 드라이브 벨트를 제거합니다.

드라이브 벨트 제거 방법

1. 연료 탱크가 비워질 때까지 제품을 작동하십시오.
2. 점화 플러그에서 점화 플러그 캡을 제거합니다.
3. 소음기를 내린 상태에서 제품을 옆으로 놓으십시오.



주의: 에어 필터를 내린 상태에서 제품을 사용하면 엔진이 손상될 수 있습니다.

고장 수리

문제	가능한 원인	해결책
엔진을 시동할 수 없음	점화 케이블이 올바르게 연결되지 않았습니다.	점화 케이블을 점화 플러그에 연결합니다.
	연료 탱크가 비어 있습니다.	연료 탱크에 올바른 유형의 연료를 주입하십시오.
	기화기 또는 연료선에 먼지가 있습니다.	기화기 및/또는 연료선을 청소하십시오.
	점화 플러그에 결함이 있습니다.	전극 캡을 조정하고 점화 플러그를 청소하거나 교체하십시오.
엔진을 중지할 수 없음.	정지 메커니즘에 결함이 있습니다.	점화 플러그에서 점화 케이블을 분리하십시오. 승인된 서비스 센터에 요청하여 제품을 수리하십시오.

문제	가능한 원인	해결책
엔진이 부드럽게 작동하지 않습니다.	점화 케이블이 올바르게 연결되지 않았습니다.	점화 케이블을 점화 플러그에 연결합니다.
	연료선에 먼지가 있거나 연료가 다 되었습니다.	연료선을 청소하십시오. 연료 탱크에 올바른 유형의 새 연료를 주입하십시오.
	연료 탱크 캡이 막혔습니다.	연료 탱크 캡을 청소합니다.
	연료 시스템에 물이나 먼지가 있습니다.	연료 탱크를 비우십시오. 연료 탱크에 올바른 유형의 새 연료를 주입하십시오.
	에어 필터가 지저분합니다.	에어 필터를 청소하십시오.
	기화기를 조정해야 합니다.	서비스 대리점에서 기화기를 조절하게 합니다.
엔진이 너무 뜨거워집니다.	엔진 오일 수위가 너무 낮습니다.	엔진 오일을 채웁니다.
	공기 흐름이 충분하지 않습니다.	에어 필터와 에어 필터 케이스를 부착하십시오.
	기화기를 조정해야 합니다.	서비스 대리점에서 기화기를 조절하게 합니다.
고속으로 작동할 경우 엔진에 불발이 발생할 수 있습니다.	점화 플러그의 전극 갭이 너무 작습니다.	전극 갭을 조정합니다.
엔진이 공전 속도에서 올바르게 작동하지 않습니다.	점화 플러그가 더럽거나 결함이 있거나 전극 갭이 너무 넓습니다.	전극 갭을 조정하거나 점화 플러그를 교체하십시오.
	기화기를 조정해야 합니다.	기화기를 조정합니다.
	에어 필터가 지저분합니다.	에어 필터를 청소하십시오.
핸들에 진동이 너무 많습니다.	블레이드가 험겁거나 균형이 맞지 않습니다.	날의 볼트를 조이십시오. 손상된 날은 교체하십시오.
	날이 구부러졌습니다.	손상된 날은 교체하십시오.
잔디가 뿌리 덮개로 절단되어 들어가지 않습니다.	잔디가 젖어 있습니다.	잔디가 젖은 상태에서는 제품을 작동하지 마십시오. 잔디가 마를 때까지 기다립니다.
	잔디의 높이가 너무 높습니다.	먼저 높이를 높게 설정하여 자릅니다. 절단 높이를 낮추고 다시 절단하십시오. 한 번에 절단 폭의 1/2만 자릅니다.
	하나 이상의 날이 충분히 날카롭지 않습니다.	날을 연마하거나 교체합니다.
잔디가 불규칙하게 절단됩니다.	휠이 올바른 위치에 있지 않습니다.	4개 휠 모두에 대해 절단 높이를 동일하게 설정합니다.
	하나 이상의 날이 충분히 날카롭지 않습니다.	날을 연마하거나 교체합니다.
드라이브 시스템이 올바르게 작동하지 않습니다.	드라이브 벨트가 충분히 조여지지 않았거나 도르래 또는 드라이브 벨트에 먼지가 있습니다.	손인된 서비스 대리점에서 드라이브 시스템에 대한 정비 작업을 수행합니다.

운반 및 보관

- 제품과 연료를 보관하거나 운반할 때 누출이나 가스가 없는지 확인하십시오. 전기 장치나 보일러 등의 스파크 또는 화염으로 인해 화재가 발생할 수 있습니다.
- 항상 승인된 용기를 사용하여 연료를 보관하고 운반하십시오.
- 제품을 장기간 보관하기 전 연료 탱크를 비우십시오. 지정된 폐기 장소에 연료를 폐기하십시오.
- 제품을 안전하게 부착하여 운반 중 손상 및 사고를 방지하십시오.
- 어린이나 승인되지 않은 사람이 접근하지 못하도록 제품을 자물쇠가 있는 장소에 보관하십시오.
- 건조하고 서리가 없는 곳에서 제품을 보관하십시오.

폐기

- 현지 재활용 요구 사항 및 관련 규정을 준수하십시오.
- 서비스 센터 또는 해당 폐기 장소에서 엔진 오일 또는 연료 등의 모든 화학 물질을 폐기하십시오.
- 제품을 더 이상 사용하지 않는 경우, 해당 제품을 Husqvarna 대리점으로 보내거나 재활용 장소에서 폐기하십시오.

기술 정보

기술 정보

	LC 353AWD
엔진	
브랜드	혼다
배기량, cu.in/cm ³	10.1/166
최대 작동 엔진 속도, 최소 ⁻¹	3200
공칭 엔진 출력, kW/hp @ rpm ¹¹	3.6/4.9 @ 2900-3200
점화 시스템	
점화 플러그	NGK BPR5ES
전극 갭, 인치/mm	0,028/0.7
연료 및 윤활 시스템	
연료, 무연, 최소 옥탄가	90 RON / 87 AKI
연료 탱크 용량, gal l(미국)	0.24/0.91
오일 탱크 용량, gal/l(미국)	0.11/0.40
엔진 오일 ¹²	SAE 30 / SAE 10W-30
중량	
빈 탱크 사용 시, lb/kg	85.1/38.6
소음 배출¹³	
소음 출력 수준, 측정 dB(A)	95.02
소음 출력 수준, 보장 L _{WA} dB(A)	96
소음 수준¹⁴	
작업자 청각에서의 음압 수준, dB(A)	83.3
진동 수준¹⁵	
핸들(왼/오른), m/s ²	4.96/6.28
절단 장비	

¹¹ 표시된 엔진의 출력 등급은 SAE 표준 J1349/ISO1585로 측정된 엔진 모델의 일반적인 생산 엔진의 순 평균 출력(지정된 rpm 기준)입니다. 대량 생산 엔진은 이 값과 다를 수 있습니다. 최종 제품에 설치된 엔진의 실제 출력은 작동 속도, 환경 조건 및 기타 변수에 따라 달라집니다.

¹² SJ 이상 품질의 엔진 오일을 사용하십시오. 엔진 제조업체 설명서의 점도 차트를 참조하여 예상 외부 온도에 따른 최적의 점도를 선택하십시오.

¹³ EC 지침 2000/14/EC에 의거 소음 출력(L_{WA})으로 측정된 소음 배출입니다. 음압 수준에 대해 보고된 데이터에 따르면 일반적인 통계 분산(표준 편차)은 0.54 dB(A)입니다.

¹⁴ ISO 5395에 따른 음압 수준. 음압 수준에 대해 보고된 데이터에 따르면 일반적인 통계 분산(표준 편차)은 3.0 dB(A)입니다.

¹⁵ ISO 5395에 의거한 진동 수준. 진동 수준에 대해 보고된 데이터는 일반적인 통계 분산(표준 편차)인 1.5 m/s²입니다.

	LC 353AWD
절단 높이, in./mm	1.0-4.0/25.4-101.6
절단 너비, cm	21/53
날	
품목 번호	586 85 96-02
폴발이 통 용량, ft ³ /l	2,3/65
구동	
속도, mph/km/h	0-3/0-4.8

EC 준수 선언문의 내용

Husqvarna AB(SE 561 82 Huskvarna, SWEDEN)는 당사의 전적인 책임 아래 다음 제품이

설명	연소 - 엔진 구동식 보행자 제어 잔디 깎기 기계
브랜드	Husqvarna
플랫폼 / 유형 / 모델	플랫폼E21THV, 대표 모델 LC 353AWD.
배치	일련번호 날짜 2019 그 이후

다음의 EU 지침 및 규정을 모두 준수하고

지침/규정	설명
2006/42/EC	"장비류 관련"
2014/30/EU	"자기 호환성 관련"
2000/14/EU; 2005/88/EC	"외부 소음 관련"
2011/65/EU	"특정 유해 물질의 사용 제한"

다음과 같은 조화된 표준 및/또는 기술 사양이 적용되었음을 선언합니다. EN ISO 12100, ISO 5395-1+A1/A2, ISO 5395-2+A1/A2, EN ISO 14982, ISO 3744, ISO 11094, EN 1032

지침 2000/14/EC, 부속서 V에 따라 선언된 사운드 값은 이 설명서의 기술 정보 섹션과 서명된 EC 준수 선언문에 명시되어 있습니다.

공급된 연소 엔진 구동식 보행자 제어 잔디 깎기는 검사를 받은 견본과 일치합니다.

지침 2000/14/EC에 대한 인증 기관: Intertek Testing & Certification Ltd(인증 기관 0359) Davy Avenue, Knowlhill, Milton Keynes, MK5 8NL.



www.husqvarna.com

Original instructions
取扱説明書原本
원본 설명서

1141768-80



2019-11-01

Free Manuals Download Website

<http://myh66.com>

<http://usermanuals.us>

<http://www.somanuals.com>

<http://www.4manuals.cc>

<http://www.manual-lib.com>

<http://www.404manual.com>

<http://www.luxmanual.com>

<http://aubethermostatmanual.com>

Golf course search by state

<http://golfingnear.com>

Email search by domain

<http://emailbydomain.com>

Auto manuals search

<http://auto.somanuals.com>

TV manuals search

<http://tv.somanuals.com>