

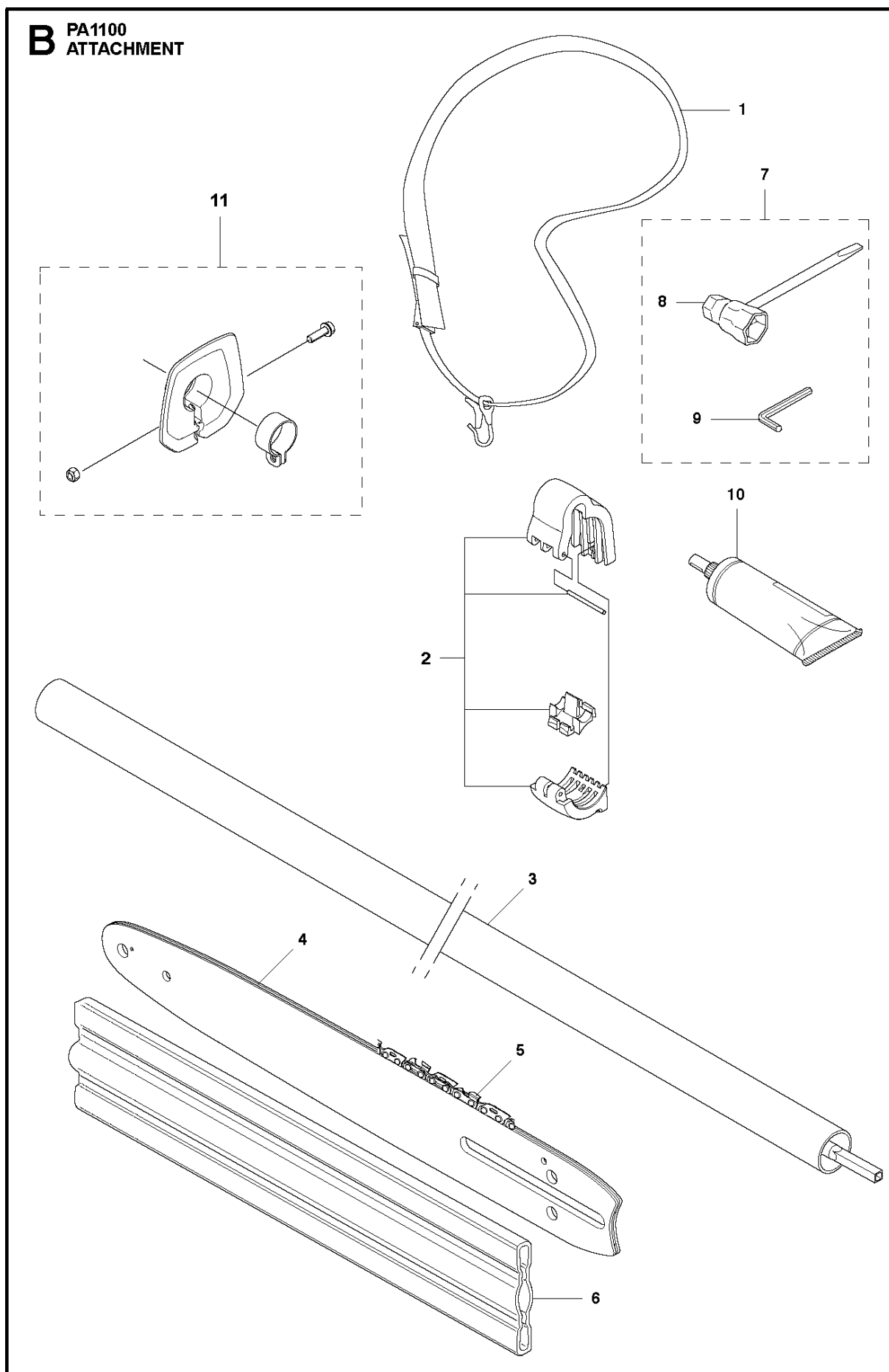


SPARE PARTS LIST

ACCESSORIES AND TOOLS

POLE SAW ATTACHMENT PA1100
(537183323, 537183325)

B PA1100
ATTACHMENT

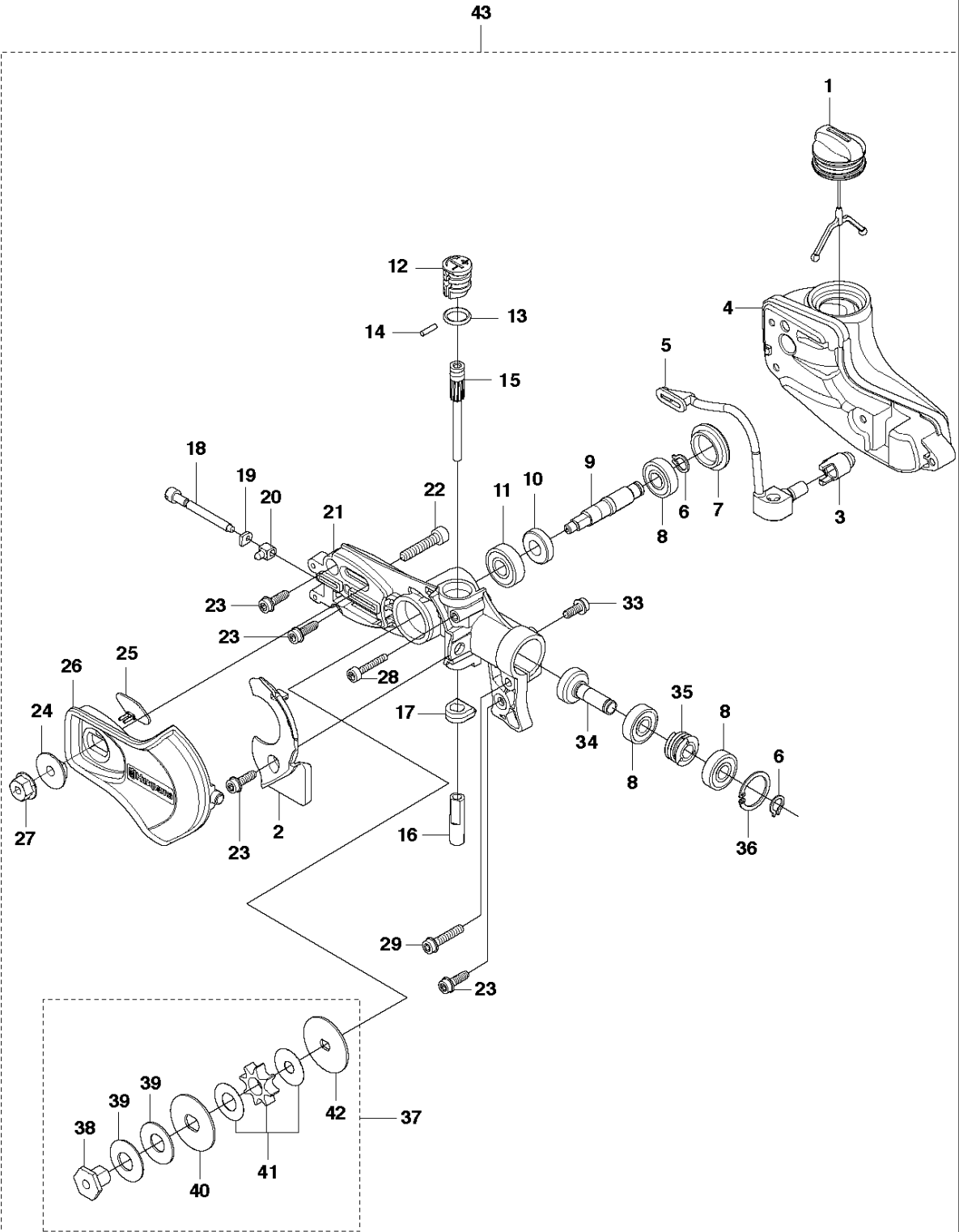


ATTACHMENTS

POLE SAW ATTACHMENT PA1100 (537183323, 537183325)

Ref	Part No	Description	Remark	QTY	KIT
1	537 21 62-01	HARNESS		1	
2	537 35 36-01	LOOP		1	
3	587 97 21-02	TUBE ASSY		1	
4	575 84 22-58	BAR	"10"" , 1/4"" - 1,3 mm"	1	
4	575 84 22-64	BAR	"12"" , 1/4"" - 1,3 mm"	1	
4	585 82 91-44	BAR	"12"" , 3/8"" , mini 1,3"	1	
5	501 84 40-58	SAW CHAIN	"10"" , 1/4"" - 1,3mm. 58DL"	1	
5	501 84 40-64	SAW CHAIN	"12"" , 1/4"" - 1,3 mm. 64DL"	1	
5	501 84 70-44	SAW CHAIN	"12"" , 3/8"" , mini 1,3"	1	
6	537 12 99-01	BAR GUARD		1	
7	537 04 07-10	ACCESSORY BAG		1	
8	501 69 17-01	COMBINATION WRENCH		1	7
9	502 21 58-01	WRENCH		1	7
10	579 06 49-01	GREASE		1	
11	579 48 86-01	HAND GUARD ASSY		1	

A PA1100
SAW HEAD



SAW HEAD

POLE SAW ATTACHMENT PA1100 (537183323, 537183325)

Ref	Part No	Description	Remark	QTY	KIT
1	577 87 86-03	TANK CAP ASSY		1	43
2	525 61 31-01	COVER		1	43
3	510 04 43-01	OIL SCREEN		1	43
4	577 66 70-01	OIL TANK		1	43
5	525 49 06-01	OIL HOSE		1	43
6	735 31 11-00	CIRCLIP		2	43
7	574 82 98-01	COVER		1	43
8	738 21 99-04	BALL BEARING		3	43
9	525 49 04-01	SHAFT		1	43
10	575 35 56-01	GEAR WHEEL		1	43
11	738 21 00-04	BALL BEARING		1	43
12	525 48 16-01	KNOB		1	43
13	740 43 10-14	O-RING		1	43
14	503 24 09-11	NEEDLE ROLLER		1	43
15	540 05 79-01	PUMP PISTON		1	43
16	537 15 48-01	PUMP CYLINDER		1	43
17	576 39 59-01	FASTENER		1	43
18	501 81 92-01	SCREW		1	43
19	501 45 27-02	LOCK NUT		1	43
20	501 45 41-01	NUT		1	43
21	523 85 37-02	GEAR HOUSING		1	43
22	576 83 10-01	SCREW IHSCM		1	43
23	573 92 58-01	SCREW ITXSCFT		3	43
24	525 49 07-01	BUSHING		1	43
25	574 40 47-01	RUBBER		1	43
26	525 48 14-01	COVER		1	43
27	503 22 00-07	HEXAGON NUT		4	43
28	525 76 09-05	SCREW ITXSCM		1	43
29	525 75 51-04	SCREW ITXSCFM		1	43
33	525 75 51-05	SCREW ITXSCFM		1	43
34	575 35 55-01	PINION		1	43
35	525 48 97-01	WORM GEAR		1	43
36	735 31 25-10	CIRCLIP		1	43
37	585 48 31-01	SPROCKET	"for 1/4"" Chain"	1	43
37	585 48 31-02	SPROCKET	"for 3/8"" chain" (US only)	1	43
38	580 76 04-01	NUT		1	37, 43
39	581 12 61-01	DISC SPRING		2	37, 43
40	585 84 19-02	WASHER		1	37, 43
41	582 87 22-01	SPROCKET	"for 1/4"" Chain"	1	37, 43
41	582 87 22-02	SPROCKET	"for 3/8"" chain" (US only)	1	37, 43
42	585 84 19-01	WASHER		1	43
43	575 78 43-06	POLE SAW HEAD	"for 1/4"" Chain"	1	
43	575 78 43-07	POLE SAW HEAD	"for 3/8"" chain" (US only)	1	

Illustrated Parts List - IPL Update



Product Name(s)

PA1100

Description of change

A new sprocket system has been introduced. Old sprocket has been exchanged by a new sprocket and two bronze washers.

Comments

Backward compatible

Introduced from

Serial number / Date	Remark
2017-05	Sprocket kit

IPL updates

Page title	Ref. no	New part no	Name	Excl. part no.	Remark
Saw head	41	582 87 22-01	Sprocket	580 76 05-01	New kit 1/4"

Free Manuals Download Website

<http://myh66.com>

<http://usermanuals.us>

<http://www.somanuals.com>

<http://www.4manuals.cc>

<http://www.manual-lib.com>

<http://www.404manual.com>

<http://www.luxmanual.com>

<http://aubethermostatmanual.com>

Golf course search by state

<http://golfingnear.com>

Email search by domain

<http://emailbydomain.com>

Auto manuals search

<http://auto.somanuals.com>

TV manuals search

<http://tv.somanuals.com>