

**STRIX Z270I  
GAMING**

**ASUS®**

**Motherboard**

**Copyright© 2016 ASUSTeK COMPUTER INC. All Rights Reserved.**

No part of this manual, including the products and software described in it, may be reproduced, transmitted, transcribed, stored in a retrieval system, or translated into any language in any form or by any means, except documentation kept by the purchaser for backup purposes, without the express written permission of ASUSTeK COMPUTER INC. ("ASUS").

Product warranty or service will not be extended if: (1) the product is repaired, modified or altered, unless such repair, modification of alteration is authorized in writing by ASUS; or (2) the serial number of the product is defaced or missing.

ASUS PROVIDES THIS MANUAL "AS IS" WITHOUT WARRANTY OF ANY KIND, EITHER EXPRESS OR IMPLIED, INCLUDING BUT NOT LIMITED TO THE IMPLIED WARRANTIES OR CONDITIONS OF MERCHANTABILITY OR FITNESS FOR A PARTICULAR PURPOSE. IN NO EVENT SHALL ASUS, ITS DIRECTORS, OFFICERS, EMPLOYEES OR AGENTS BE LIABLE FOR ANY INDIRECT, SPECIAL, INCIDENTAL, OR CONSEQUENTIAL DAMAGES (INCLUDING DAMAGES FOR LOSS OF PROFITS, LOSS OF BUSINESS, LOSS OF USE OR DATA, INTERRUPTION OF BUSINESS AND THE LIKE), EVEN IF ASUS HAS BEEN ADVISED OF THE POSSIBILITY OF SUCH DAMAGES ARISING FROM ANY DEFECT OR ERROR IN THIS MANUAL OR PRODUCT.

SPECIFICATIONS AND INFORMATION CONTAINED IN THIS MANUAL ARE FURNISHED FOR INFORMATIONAL USE ONLY, AND ARE SUBJECT TO CHANGE AT ANY TIME WITHOUT NOTICE, AND SHOULD NOT BE CONSTRUED AS A COMMITMENT BY ASUS. ASUS ASSUMES NO RESPONSIBILITY OR LIABILITY FOR ANY ERRORS OR INACCURACIES THAT MAY APPEAR IN THIS MANUAL, INCLUDING THE PRODUCTS AND SOFTWARE DESCRIBED IN IT.

Products and corporate names appearing in this manual may or may not be registered trademarks or copyrights of their respective companies, and are used only for identification or explanation and to the owners' benefit, without intent to infringe.

**Offer to Provide Source Code of Certain Software**

This product contains copyrighted software that is licensed under the General Public License ("GPL"), under the Lesser General Public License Version ("LGPL") and/or other Free Open Source Software Licenses. Such software in this product is distributed without any warranty to the extent permitted by the applicable law. Copies of these licenses are included in this product.

Where the applicable license entitles you to the source code of such software and/or other additional data, you may obtain it for a period of three years after our last shipment of the product, either

(1) for free by downloading it from <https://www.asus.com/support/>

or

(2) for the cost of reproduction and shipment, which is dependent on the preferred carrier and the location where you want to have it shipped to, by sending a request to:

ASUSTeK Computer Inc.  
Legal Compliance Dept.  
15 Li Te Rd.,  
Beitou, Taipei 112  
Taiwan

In your request please provide the name, model number and version, as stated in the About Box of the product for which you wish to obtain the corresponding source code and your contact details so that we can coordinate the terms and cost of shipment with you.

The source code will be distributed WITHOUT ANY WARRANTY and licensed under the same license as the corresponding binary/object code.

This offer is valid to anyone in receipt of this information.

ASUSTeK is eager to duly provide complete source code as required under various Free Open Source Software licenses. If however you encounter any problems in obtaining the full corresponding source code we would be much obliged if you give us a notification to the email address [gpl@asus.com](mailto:gpl@asus.com), stating the product and describing the problem (please DO NOT send large attachments such as source code archives, etc. to this email address).

# Contents

|  |      |
|--|------|
| Safety information.....                        | vi   |
| About this guide.....                          | vii  |
| STRIX Z270I GAMING specifications summary..... | ix   |
| Package contents.....                          | xiii |
| Installation tools and components.....         | xiv  |

## Chapter 1: Product Introduction

|            |                                    |            |
|------------|------------------------------------|------------|
| <b>1.1</b> | <b>Motherboard overview.....</b>   | <b>1-1</b> |
| 1.1.1      | Before you proceed.....            | 1-1        |
| 1.1.2      | Motherboard layout.....            | 1-2        |
| 1.1.3      | Central Processing Unit (CPU)..... | 1-4        |
| 1.1.4      | System memory.....                 | 1-5        |
| 1.1.5      | Expansion slots.....               | 1-7        |
| 1.1.6      | Headers.....                       | 1-9        |
| 1.1.7      | Onboard LEDs.....                  | 1-11       |
| 1.1.8      | Internal connectors.....           | 1-12       |

## Chapter 2: Basic Installation

|            |  |             |
|------------|--|-------------|
| <b>2.1</b> | <b>Building your PC system.....</b>                | <b>2-1</b>  |
| 2.1.1      | Motherboard installation.....                      | 2-1         |
| 2.1.2      | CPU installation.....                              | 2-3         |
| 2.1.3      | CPU heatsink and fan assembly installation.....    | 2-5         |
| 2.1.4      | DIMM installation.....                             | 2-7         |
| 2.1.5      | ATX power connection.....                          | 2-8         |
| 2.1.6      | SATA device connection.....                        | 2-9         |
| 2.1.7      | Front I/O connector.....                           | 2-10        |
| 2.1.8      | Expansion card installation.....                   | 2-10        |
| 2.1.9      | M.2 installation.....                              | 2-11        |
| 2.1.10     | Wi-Fi antenna installation.....                    | 2-12        |
| <b>2.2</b> | <b>Motherboard rear and audio connections.....</b> | <b>2-13</b> |
| 2.2.1      | Rear I/O connection.....                           | 2-13        |
| 2.2.2      | Audio I/O connections.....                         | 2-15        |
| <b>2.3</b> | <b>Starting up for the first time.....</b>         | <b>2-17</b> |
| <b>2.4</b> | <b>Turning off the computer.....</b>               | <b>2-18</b> |

## Chapter 3: BIOS Setup

|             |   |             |
|-------------|---|-------------|
| <b>3.1</b>  | <b>Knowing BIOS</b> .....                   | <b>3-1</b>  |
| <b>3.2</b>  | <b>BIOS setup program</b> .....             | <b>3-2</b>  |
|             | 3.2.1 EZ Mode.....                          | 3-3         |
|             | 3.2.2 Advanced Mode .....                   | 3-4         |
|             | 3.2.3 QFan Control.....                     | 3-7         |
|             | 3.2.4 EZ Tuning Wizard .....                | 3-9         |
| <b>3.3</b>  | <b>My Favorites</b> .....                   | <b>3-12</b> |
| <b>3.4</b>  | <b>Main menu</b> .....                      | <b>3-14</b> |
| <b>3.5</b>  | <b>Ai Tweaker menu</b> .....                | <b>3-14</b> |
| <b>3.6</b>  | <b>Advanced menu</b> .....                  | <b>3-16</b> |
|             | 3.6.1 CPU Configuration .....               | 3-16        |
|             | 3.6.2 Platform Misc Configuration .....     | 3-17        |
|             | 3.6.3 System Agent (SA) Configuration ..... | 3-17        |
|             | 3.6.4 PCH Configuration .....               | 3-17        |
|             | 3.6.5 PCH Storage Configuration.....        | 3-17        |
|             | 3.6.6 PCH-FW Configuration .....            | 3-18        |
|             | 3.6.7 Onboard Devices Configuration.....    | 3-18        |
|             | 3.6.8 APM Configuration .....               | 3-18        |
|             | 3.6.9 Network Stack Configuration.....      | 3-19        |
|             | 3.6.10 HDD/SSD SMART Information .....      | 3-19        |
|             | 3.6.11 USB Configuration .....              | 3-19        |
| <b>3.7</b>  | <b>Monitor menu</b> .....                   | <b>3-19</b> |
| <b>3.8</b>  | <b>Boot menu</b> .....                      | <b>3-19</b> |
| <b>3.9</b>  | <b>Tool menu</b> .....                      | <b>3-21</b> |
|             | 3.9.1 ASUS EZ Flash 3 Utility .....         | 3-21        |
|             | 3.9.2 Secure Erase .....                    | 3-21        |
|             | 3.9.3 ASUS Overclocking Profile .....       | 3-22        |
|             | 3.9.4 ASUS SPD Information .....            | 3-22        |
|             | 3.9.5 Graphics Card Information .....       | 3-22        |
| <b>3.10</b> | <b>Exit menu</b> .....                      | <b>3-23</b> |
| <b>3.11</b> | <b>Updating BIOS</b> .....                  | <b>3-23</b> |
|             | 3.11.1 EZ Update .....                      | 3-24        |
|             | 3.11.2 ASUS EZ Flash 3.....                 | 3-24        |
|             | 3.11.3 ASUS CrashFree BIOS 3.....           | 3-26        |

## **Chapter 4: RAID Support**

|            |   |             |
|------------|---|-------------|
| <b>4.1</b> | <b>RAID configurations .....</b>                        | <b>4-1</b>  |
| 4.1.1      | RAID definitions .....                                  | 4-1         |
| 4.1.2      | Installing Serial ATA hard disks .....                  | 4-2         |
| 4.1.3      | Intel® Rapid Storage Technology in UEFI BIOS.....       | 4-2         |
| 4.1.4      | Intel® Rapid Storage Technology Option ROM utility..... | 4-6         |
| <b>4.2</b> | <b>Creating a RAID driver disk.....</b>                 | <b>4-10</b> |
| 4.2.1      | Creating a RAID driver disk in Windows® .....           | 4-10        |

## **Appendix**

|                                      |            |
|--------------------------------------|------------|
| <b>Notices .....</b>                 | <b>A-1</b> |
| <b>ASUS contact information.....</b> | <b>A-6</b> |

# Safety information

## Electrical safety

- To prevent electrical shock hazard, disconnect the power cable from the electrical outlet before relocating the system.
- When adding or removing devices to or from the system, ensure that the power cables for the devices are unplugged before the signal cables are connected. If possible, disconnect all power cables from the existing system before you add a device.
- Before connecting or removing signal cables from the motherboard, ensure that all power cables are unplugged.
- Seek professional assistance before using an adapter or extension cord. These devices could interrupt the grounding circuit.
- Ensure that your power supply is set to the correct voltage in your area. If you are not sure about the voltage of the electrical outlet you are using, contact your local power company.
- If the power supply is broken, do not try to fix it by yourself. Contact a qualified service technician or your retailer.

## Operation safety

- Before installing the motherboard and adding devices on it, carefully read all the manuals that came with the package.
- Before using the product, ensure all cables are correctly connected and the power cables are not damaged. If you detect any damage, contact your dealer immediately.
- To avoid short circuits, keep paper clips, screws, and staples away from connectors, slots, sockets and circuitry.
- Avoid dust, humidity, and temperature extremes. Do not place the product in any area where it may become wet.
- Place the product on a stable surface.
- If you encounter technical problems with the product, contact a qualified service technician or your retailer.

## About this guide

This user guide contains the information you need when installing and configuring the motherboard.

## How this guide is organized

This guide contains the following parts:

### 1. **Chapter 1: Product Introduction**

This chapter describes the features of the motherboard and the new technology it supports. It includes description of the switches, jumpers, and connectors on the motherboard.

### 2. **Chapter 2: Basic Installation**

This chapter lists the hardware setup procedures that you have to perform when installing system components.

### 3. **Chapter 3: BIOS Setup**

This chapter tells how to change system settings through the BIOS Setup menus. Detailed descriptions of the BIOS parameters are also provided.

### 4. **Chapter 4: RAID Support**

This chapter describes the RAID configurations.

## Where to find more information

Refer to the following sources for additional information and for product and software updates.

### 1. **ASUS website**

The ASUS website ([www.asus.com](http://www.asus.com)) provides updated information on ASUS hardware and software products.

### 2. **Optional documentation**

Your product package may include optional documentation, such as warranty flyers, that may have been added by your dealer. These documents are not part of the standard package.

## Conventions used in this guide

To ensure that you perform certain tasks properly, take note of the following symbols used throughout this manual.



**DANGER/WARNING:** Information to prevent injury to yourself when trying to complete a task.



**CAUTION:** Information to prevent damage to the components when trying to complete a task.



**IMPORTANT:** Instructions that you **MUST** follow to complete a task.



**NOTE:** Tips and additional information to help you complete a task.

## Typography

**Bold text**

Indicates a menu or an item to select.

*Italics*

Used to emphasize a word or a phrase.

<Key>

Keys enclosed in the less-than and greater-than sign means that you must press the enclosed key.

Example: <Enter> means that you must press the Enter or Return key.

<Key1> + <Key2> + <Key3>

If you must press two or more keys simultaneously, the key names are linked with a plus sign (+).



## STRIX Z270I GAMING specifications summary

|                                |   |
|--------------------------------|---|
| <b>CPU</b>                     | <p>Intel® Socket 1151 for 7th / 6th Generation Core™ i7/Core™ i5/Core™ i3/Pentium®, and Celeron® Processors*</p> <p>Supports 14nm CPU</p> <p>Supports Intel® Turbo Boost Technology 2.0**</p> <p>* Refer to <a href="http://www.asus.com">www.asus.com</a> for Intel® CPU support list.</p> <p>** The Intel® Turbo Boost Technology 2.0 support depends on the CPU types.</p>   |
| <b>Chipset</b>                 | Intel® Z270 Chipset   |
| <b>Memory</b>                  | <p>2 x DIMM, max. 32GB DDR4 4266(O.C.)/4133(O.C.)/4000(O.C.)/3866(O.C.)/3733(O.C.)/3600(O.C.)/3466(O.C.)/3400(O.C.)/3333(O.C.)/3300(O.C.)/3200(O.C.)/3000(O.C.)/2800(O.C.)/2666(O.C.)/2400/2133 MHz Non-ECC, Un-buffered Memory</p> <p>Dual channel memory architecture</p> <p>Supports Intel® Extreme Memory Profile (XMP)</p> <p>* Hyper DIMM support is subject to the physical characteristics of individual CPUs.</p> <p>** Refer to <a href="http://www.asus.com">www.asus.com</a> for the latest Memory QVL(Qualified Vendors List).</p> |
| <b>Expansion slots</b>         | 1 x PCIe 3.0 x16 slot   |
| <b>VGA</b>                     | <p>Integrated Graphics Processor- Intel® HD Graphics support</p> <p>Multi-VGA output support: HDMI/DisplayPort ports</p> <p>Supports HDMI with max. resolution 4096 x 2160@24Hz</p> <p>Supports DisplayPort with max. resolution 4096 x 2304@60Hz</p> <p>Supports Intel® InTru™ 3D/Quick Sync Video/Clear Video HD Technology/ Insider™</p> <p>Maximum shared memory of 1024 MB</p>   |
| <b>Wireless&amp; Bluetooth</b> | <p>Wi-Fi 802.11 a/b/g/n/ac supports dual frequency band 2.4/5 GHz with MU-MIMO support</p> <p>Bluetooth v4.1, 4.0LE, 3.0+HS*</p> <p>* Support for the Bluetooth specification depend on the Windows® version. Windows® 7 / 8 supports Bluetooth 4.0.</p>  |
| <b>USB</b>                     | <p><b>Intel® Z270 Chipset*</b></p> <ul style="list-style-type: none"> <li>- 4 x USB 2.0 ports (4 at back panel)</li> <li>- 6 x USB 3.0 ports (3 x Type-A and 1 x Type-C ports at back panel, 2 at mid-board)</li> </ul> <p><b>ASMedia® USB 3.1 controller*</b></p> <ul style="list-style-type: none"> <li>- 1 x USB 3.1 front panel connector</li> </ul> <p>* Supports 3A power output</p>  |

(continued on the next page)

## STRIX Z270I GAMING specifications summary

|                             |  |
|-----------------------------|--|
| <b>Rear Panel I/O Ports</b> | <ul style="list-style-type: none"> <li>1 x DisplayPort</li> <li>1 x HDMI port</li> <li>1 x LAN (RJ45) port</li> <li>4 x USB3.0 ports (3 x Type-A [blue] and 1 x Type-C ports at back panel)</li> <li>4 x USB 2.0 ports</li> <li>1 x Optical S/PDIF out</li> <li>5 x Audio jacks</li> <li>1 x ASUS Wi-Fi module (Wi-Fi 802.11 a/b/g/n/ac and Bluetooth v4.1)</li> </ul>   |
| <b>Storage</b>              | <p><b>Intel® Z270 Chipset with with RAID 0, 1, 5, 10 and Intel® Rapid Storage Technology 15 support</b></p> <ul style="list-style-type: none"> <li>- 4 x SATA 6Gb/s ports</li> <li>- 1 x M.2_1 Socket 3 with M key, type 2242/2260/2280 storage devices support (both SATA &amp; PCIE 3.0 x 4 modes)*</li> <li>- 1 x M.2_2 Socket 3 with M key, type 2242/2260/2280 storage devices support (PCIE 3.0 x 4 mode)*</li> <li>- Supports Intel® Smart Response Technology**</li> <li>- Intel® Optane Memory Ready***</li> </ul> <p>* For a 2242 storage device, use the bundled 2242 mounting kit.</p> <p>** This function will work depending on the CPU installed.</p> <p>*** Intel® Optane Technology is only supported when using 7th Generation Intel® Processors. Before using Intel® Optane memory modules, ensure that you have updated your motherboard drivers and BIOS to the latest version from ASUS support website.</p> |
| <b>Audio</b>                | <p><b>ROG SupremeFX S1220A 8-Channel High Definition Audio CODEC</b></p> <ul style="list-style-type: none"> <li>- Supports up to 32-Bit/192kHz playback*</li> <li>- Impedance sense for front and rear headphone outputs</li> <li>- High quality 120dB SNR stereo playback output and 113dB SNR recording input</li> <li>- SupremeFX Shielding Technology</li> <li>- Dual Headpone Amplifiers</li> <li>- Jack-detection, Multi-streaming, and Front Panel Jack-retasking</li> <li>- Optical S/PDIF out port at back panel</li> </ul> <p><b>Audio Features</b></p> <ul style="list-style-type: none"> <li>- Sonic Radar III</li> <li>- Sonic Studio III</li> </ul> <p>* Due to limitations in HDA bandwidth, 32-bit/192kHz is not supported for 8-Channel audio and due to Windows® 7 limitations, 32-bit playback is unavailable for Windows® 7.</p>   |
| <b>LAN</b>                  | <p>Intel® I219-V Gigabit LAN- Dual interconnect between the integrated Media Access Controller (MAC) and physical layer (PHY)</p> <p>Anti-surge LANGuard</p> <p>ROG GameFirst Technology</p>   |

(continued on the next page)

# STRIX Z270I GAMING specifications summary

|                               |   |
|-------------------------------|---|
| <b>ROG Exclusive Features</b> | RAMCache II<br>ROG GameFirst IV*<br>ROG Overwolf<br>ROG Clone Drive<br><br>* ROG GameFirst IV is only available for Windows® 10/8.1 64-bit.   |
| <b>ASUS Special Features</b>  | <b>Performance Optimization</b><br><b>5-Way Optimization</b><br>- Whole system optimization with a single click! Perfectly consolidates better CPU performance, power saving, digital power control, system cooling and app usages.<br><b>DIGI+ VRM</b><br><b>EPU</b><br>- EPU<br><b>TPU</b><br>- Auto Tuning, TurboV, GPU Boost<br><b>Fan Xpert 4</b><br>- Featuring Fan Auto Tuning function and multiple thermistors selection for optimized system cooling control<br><b>ASUS EZ DIY</b><br>- ASUS CrashFree BIOS 3<br>- ASUS EZ Flash 3<br><b>ASUS Q-Design</b><br>- Q-Shield<br>- Q-LED (CPU, DRAM, VGA, Boot Device LED)<br>- Q-Slot<br>- Q-DIMM<br><b>Gamer's Guardian</b><br>- SafeSlot<br>- DIGI+ VRM<br>- DRAM Overcurrent Protection<br>- ESD Guards on VGA, LAN, Audio, KBMS and USB3.0/2.0 ports<br>- Highly Durable Components<br>- Stainless Steel Back I/O<br><b>ASUS Exclusive Features</b><br>- AURA Lightning Control<br>- AI Suite 3<br>- AI Charger |

(continued on the next page)

## STRIX Z270I GAMING specifications summary

|                                 |  |
|---------------------------------|--|
| <b>Internal I/O connectors</b>  | <ul style="list-style-type: none"> <li>1 x 4-pin CPU fan connector</li> <li>1 x 4-pin Chassis fan connector</li> <li>1 x 4-pin AIO pump header)</li> <li>1 x Front panel audio connector (AAFP)</li> <li>1 x USB 3.1 front panel connector</li> <li>1 x USB 3.0 connector supports additional 2 USB 3.0 ports</li> <li>1 x 8-pin ATX 12V Power connector</li> <li>1 x 24-pin EATX Power connector</li> <li>1 x 14-1 pin TPM connector</li> <li>1 x 2-pin Clear CMOS/RTC</li> <li>1 x 2-pin Thermal sensor connector</li> <li>1x RGB Header</li> <li>1 x M.2_1 Socket 3 with M key, type 2242/2260/2280 storage devices support (both SATA &amp; PCIE 3.0 x 4 modes)*</li> <li>1 x M.2_2 Socket 3 with M key, type 2242/2260/2280 storage devices support (PCIE 3.0 x 4 mode)*</li> <li>4 x SATA 6Gb/s connectors</li> <li>1 x System panel connector</li> </ul> <p>* For a 2242 storage device, use the bundled 2242 mounting kit.</p> |
| <b>BIOS Features</b>            | <p>128 Mb Flash ROM, UEFI AMI BIOS, PnP, DMI 3.0, SM BIOS 3.0, ACPI 6.1, Multi-language BIOS, ASUS EZ Flash 3, CrashFree BIOS 3, F11 EZ Tuning Wizard, F6 Qfan Control, F3 My Favorites, Last Modified log, F12 PrintScreen, and ASUS DRAM SPD (Serial Presence Detect) memory information</p>   |
| <b>Manageability</b>            | <p>DMI 3.0, WOL by PME, PXE</p>  |
| <b>Support DVD contents</b>     | <p>Drivers<br/>ASUS Utilities<br/>ASUS EZ Update<br/>Anti-virus software (OEM version)</p>   |
| <b>Operating system support</b> | <p>Windows® 10 64-bit<br/>Windows® 8.1 64-bit*<br/>Windows® 7* 32-bit/64-bit*</p> <p>* Windows® 8.1 64-bit and Windows® 7 32/64-bit are only supported when using 6th Generation Intel® Processors.</p>  |
| <b>Form factor</b>              | <p>Mini ITX Form Factor, 6.7" x 6.7" (17cm x 17cm)</p>   |



Specifications are subject to change without notice. Please refer to the ASUS website for the latest specifications.

## Package contents

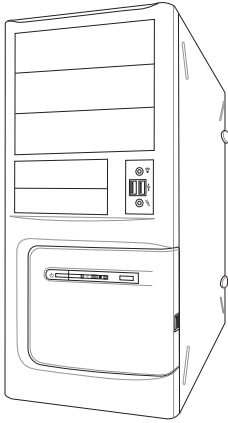
Check your motherboard package for the following items.

|                   |  |
|-------------------|--|
| Motherboard       | STRIX Z270I GAMING   |
| Cables            | 4 x SATA 6Gb/s cables<br>1 x RGB LED extension cable<br>1 x Panel Cable (15cm)   |
| Accessories       | 1 x ROG Coaster<br>1 x Strix sticker<br>1 x I/O shield<br>1 x ROG cable label<br>2 x M.2 screw packages<br>2 x M.2 2242 Mounting Kit<br>1 x CPU installation tool<br>1 x ASUS 2x2 dual band Wi-Fi moving antennas (Wi-Fi 802.11a/b/g/n/ac compliant) |
| Application drive | ROG motherboard support DVD  |
| Documentation     | User Guide   |

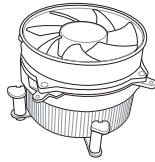


If any of the above items is damaged or missing, contact your retailer.

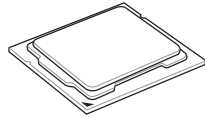
# Installation tools and components



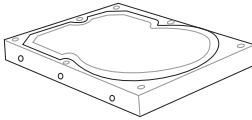
PC chassis



Intel® 1151 compatible CPU Fan



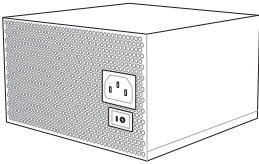
Intel® 1151 CPU



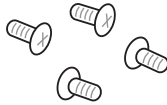
SATA hard disk drive



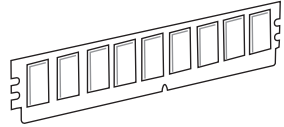
Phillips (cross) screwdriver



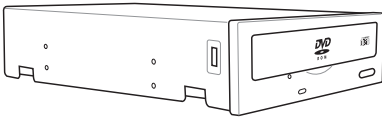
Power supply unit



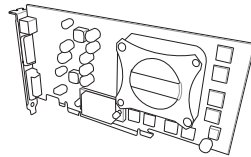
1 bag of screws



DIMM



SATA optical disc drive (optional)



Graphics card



---

The tools and components listed above are not included in the motherboard package.

---

# Product Introduction

# 1

## 1.1 Motherboard overview

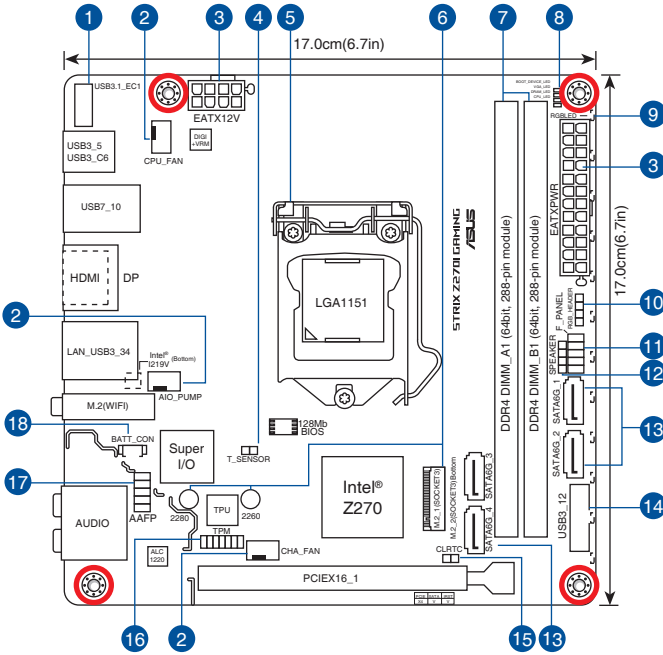
### 1.1.1 Before you proceed

Take note of the following precautions before you install motherboard components or change any motherboard settings.



- 
- Unplug the power cord from the wall socket before touching any component.
  - Before handling components, use a grounded wrist strap or touch a safely grounded object or a metal object, such as the power supply case, to avoid damaging them due to static electricity.
  - Hold components by the edges to avoid touching the ICs on them.
  - Whenever you uninstall any component, place it on a grounded antistatic pad or in the bag that came with the component.
  - Before you install or remove any component, ensure that the ATX power supply is switched off or the power cord is detached from the power supply. Failure to do so may cause severe damage to the motherboard, peripherals, or components.
-

## 1.1.2 Motherboard layout



Refer to 1.1.8 Internal connectors and 2.2.1 Rear I/O connection for more information about rear panel connectors and internal connectors.

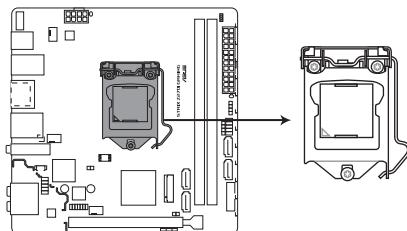


## Layout contents

| Connectors/Jumpers/Buttons and switches/Slots  | Page |
|--|------|
| 1. USB 3.1 front panel connector (USB3.1_EC1)  | 1-14 |
| 2. CPU, AIO pump, and chassis fan connectors<br>(4-pin CPU_FAN, 4-pin AIO_PUMP, 4-pin CHA_FAN) | 1-16 |
| 3. ATX power connectors (24-pin EATXPWR, 8-pin EATX12V)  | 1-17 |
| 4. Thermal sensor cable connector (2-pin T_SENSOR)   | 1-15 |
| 5. LGA1151 CPU socket  | 1-4  |
| 6. M.2 sockets (M.2_1~2)   | 1-15 |
| 7. DDR4 DIMM slots   | 1-5  |
| 8. POST State LEDs   | 1-11 |
| 9. RGB LED   | 1-11 |
| 10. RGB header (4-pin RGB_HEADER)  | 1-10 |
| 11. System panel connector (10-1 pin F_PANEL)  | 1-18 |
| 12. Speaker connector (4-pin SPEAKER)  | 1-17 |
| 13. Intel® Serial ATA 6 Gb/s connectors (7-pin SATA6G_1~4)                                     | 1-13 |
| 14. USB 3.0 connector (20-1 pin USB3_12)   | 1-13 |
| 15. Clear RTC RAM (2-pin CLRRTC)   | 1-9  |
| 16. TPM connector (14-1 pin TPM)   | 1-14 |
| 17. Front panel audio connector (10-1 pin AAFP)  | 1-12 |
| 18. RTC Battery header (2-pin BATT_CON)  | 1-9  |

### 1.1.3 Central Processing Unit (CPU)

The motherboard comes with a surface mount LGA1151 socket designed for the 7th / 6th Generation Intel® Core™ i7 / Intel® Core™ i5 / Intel® Core™ i3, Pentium®, and Celeron® processors.



**STRIX Z270I GAMING CPU socket LGA1151**



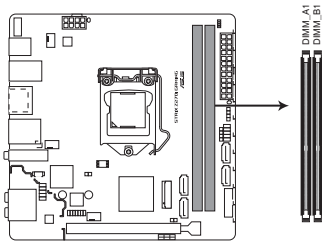
- Ensure that all power cables are unplugged before installing the CPU.
- Upon purchase of the motherboard, ensure that the PnP cap is on the socket and the socket contacts are not bent. Contact your retailer immediately if the PnP cap is missing, or if you see any damage to the PnP cap/socket contacts/motherboard components. ASUS will shoulder the cost of repair only if the damage is shipment/transit-related.
- Keep the cap after installing the motherboard. ASUS will process Return Merchandise Authorization (RMA) requests only if the motherboard comes with the cap on the LGA1151 socket.
- The product warranty does not cover damage to the socket contacts resulting from incorrect CPU installation/removal, or misplacement/loss/incorrect removal of the PnP cap.

## 1.1.4 System memory

The motherboard comes with two DDR4 (Double Data Rate 4) Dual Inline Memory Modules (DIMM) slots.

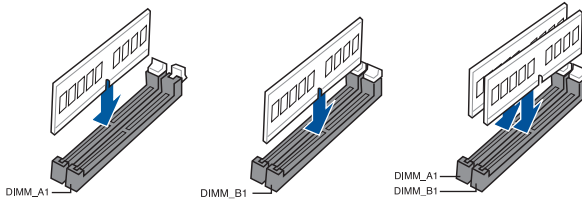


A DDR4 module is notched differently from a DDR, DDR2, or DDR3 module. DO NOT install a DDR, DDR2, or DDR3 memory module to the DDR4 slot.



STRIX Z270I GAMING 288-pin DDR4 DIMM sockets

### Recommended memory configurations



## Memory configurations

You may install 1 GB, 2 GB, 4 GB, 8 GB and 16 GB unbuffered and non-ECC DDR4 DIMMs into the DIMM sockets.



- 
- You may install varying memory sizes in Channel A, and Channel B. The system maps the total size of the lower-sized channel for the dual-channel configuration. Any excess memory from the higher-sized channel is then mapped for single-channel operation.
  - Due to the memory address limitation on 32-bit Windows® OS, when you install 4GB or more memory on the motherboard, the actual usable memory for the OS can be about 3GB or less. For effective use of memory, we recommend that you do any of the following:
    - a) Use a maximum of 3GB system memory if you are using a 32-bit Windows® OS.
    - b) Install a 64-bit Windows® OS when you want to install 4 GB or more on the motherboard.
    - c) For more details, refer to the Microsoft® support site at <http://support.microsoft.com/kb/929605/en-us>.
  - The design of the DIMM fan may vary. Ensure that the DIMM fan fits to the motherboard.
- 

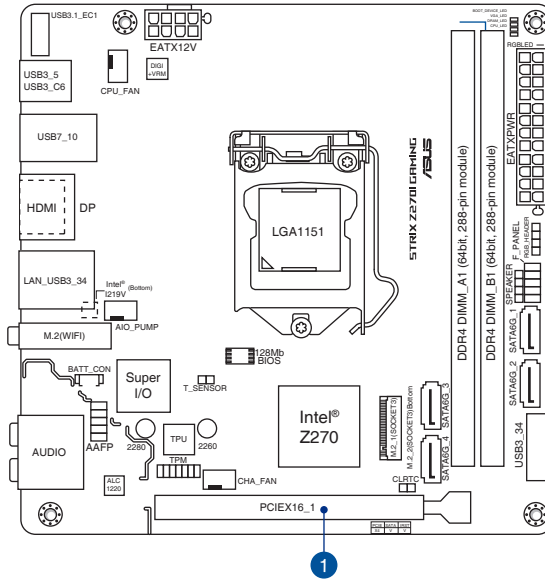


- 
- The default memory operation frequency is dependent on its Serial Presence Detect (SPD), which is the standard way of accessing information from a memory module. Under the default state, some memory modules for overclocking may operate at a lower frequency than the vendor-marked value.
  - For system stability, use a more efficient memory cooling system to support a full memory load (2 DIMMs) or overclocking condition.
  - Memory modules with memory frequency higher than 2133MHz and their corresponding timing or the loaded XMP profile is not the JEDEC memory standard. The stability and compatibility of the memory modules depend on the CPU's capabilities and other installed devices.
  - Always install the DIMMS with the same CAS Latency. For an optimum compatibility, we recommend that you install memory modules of the same version or data code (D/C) from the same vendor. Check with the vendor to get the correct memory modules.
  - ASUS exclusively provides hyper DIMM support function.
  - Hyper DIMM support is subject to the physical characteristics of individual CPUs. Load the X.M.P. or D.O.C.P. settings in the BIOS for the hyper DIMM support.
  - Visit the ASUS website for the latest QVL.
-

## 1.1.5 Expansion slots



Unplug the power cord before adding or removing expansion cards. Failure to do so may cause you physical injury and damage motherboard components.



| Slot No. | Slot Description |
|----------|------------------|
| 1        | PCIEx16_1 slot   |



Connect a chassis fan to the motherboard connector labeled CHA\_FAN when using multiple graphics cards for better thermal environment.

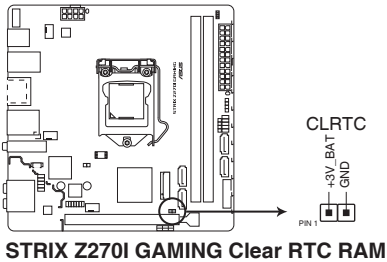
### IRQ assignments for this motherboard

|                 | A      | B | C | D      |
|-----------------|--------|---|---|--------|
| Intel I219V LAN | –      | – | – | shared |
| ASM2142         | shared | – | – | –      |
| M.2_1           | shared | – | – | –      |
| M.2 WIFI        | –      | – | – | shared |
| M.2_2           | shared | – | – | –      |
| PCIEX16_1       | shared | – | – | –      |
| XHCI            | shared | – | – | –      |
| SATA            | shared | – | – | –      |
| HD Audio        | shared | – | – | –      |

## 1.1.6 Headers

### 1. Clear RTC RAM (2-pin CLRTC)

This header allows you to clear the CMOS RTC RAM data of the system setup information such as date, time, and system passwords.



To erase the RTC RAM:

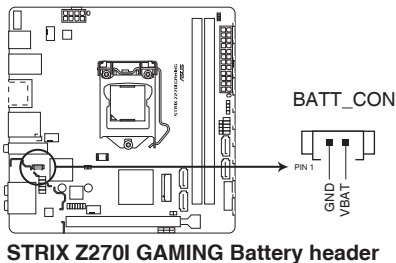
1. Turn OFF the computer and unplug the power cord.
2. Use a metal object such as a screwdriver to short the two pins.
3. Plug the power cord and turn ON the computer.
4. Hold down the <Del> key during the boot process and enter BIOS setup to re-enter data.



If the steps above do not help, remove the onboard battery and short the two pins again to clear the CMOS RTC RAM data. After clearing the CMOS, reinstall the battery.

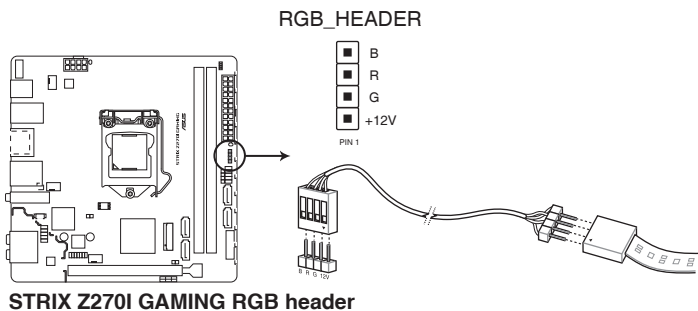
### 2. RTC Battery header (2-pin BATT\_CON)

This header is for the lithium CMOS battery.



### 3. RGB header (4-pin RGB\_HEADER)

This header is for RGB LED strips.



The RGB header supports 5050 RGB multi-color LED strips (12V/G/R/B), with a maximum power rating of 2A (12V), and no longer than 2 m.



Before you install or remove any component, ensure that the ATX power supply is switched off or the power cord is detached from the power supply. Failure to do so may cause severe damage to the motherboard, peripherals, or components.



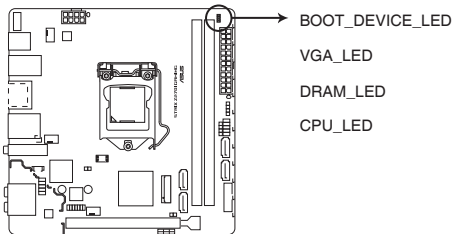
- Actual lighting and color will vary with LED strip.
- If your LED strip does not light up, check if the RGB LED extension cable and the RGB LED strip is connected in the correct orientation, and the 12V connector is aligned with the 12V header on the motherboard.
- The LED strip will only light up when the system is operating.
- The LED strips are purchased separately.



## 1.1.7 Onboard LEDs

### 1. POST State LEDs

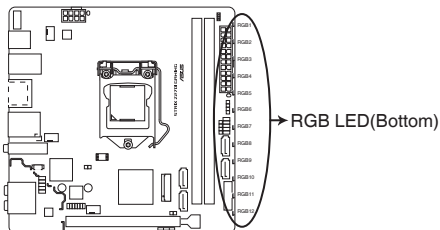
The POST State LEDs provide the status of these key components during POST (Power-On Self-Test): CPU, memory modules, VGA card, and hard disk drives. If an error is found, the critical component's LED stays lit up until the problem is solved.



**STRIX Z270I GAMING CPU/DRAM/  
BOOT\_DEVICE/VGA LED**

### 2. RGB LED

The RGB LED lighting control provides several lighting schemes, which allow you to customize your favorite LED effect. You can set your favorite LED effect to cast a stunning multi-color glow across your build, change shades to indicate CPU temperature, pulsate in time to the beat of your music, or set your favorite color for each pair of LEDs.

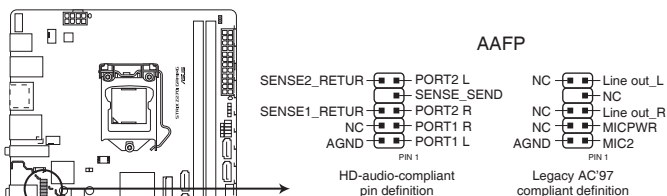


**STRIX Z270I GAMING RGB LED Lighting**

## 1.1.8 Internal connectors

### 1. Front panel audio connector (10-1 pin AAFP)

This connector is for a chassis-mounted front panel audio I/O module that supports HD Audio. Connect one end of the front panel audio I/O module cable to this connector.



**STRIX Z270I GAMING Analog front panel connector**

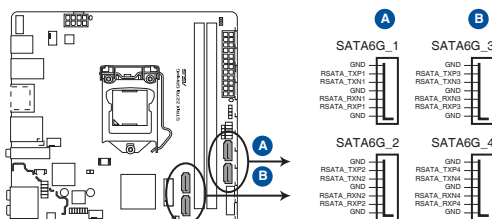


We recommend that you connect a high-definition front panel audio module to this connector to avail of the motherboard's high-definition audio capability.

### 2. Intel® Serial ATA 6 Gb/s connectors (7-pin SATA 6G\_1~4)

These connectors connect to Serial ATA 6 Gb/s hard disk drives via Serial ATA 6 Gb/s signal cables.

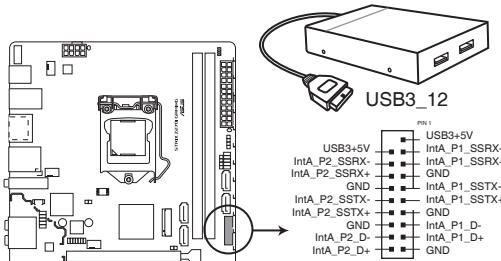
If you installed Serial ATA hard disk drives, you can create a RAID 0, 1, 5, and 10 configuration with the Intel® Rapid Storage Technology through the onboard Intel® Z270 chipset.



**STRIX Z270I GAMING Intel® SATA 6.0Gb/s connectors**

### 3. USB 3.0 connector (20-1 pin USB\_12)

This connector allows you to connect a USB 3.0 module for additional USB 3.0 front or rear panel ports. With an installed USB 3.0 module, you can enjoy all the benefits of USB 3.0 including faster data transfer speeds of up to 5 Gb/s, faster charging time for USB-chargeable devices, optimized power efficiency, and backward compatibility with USB 2.0.



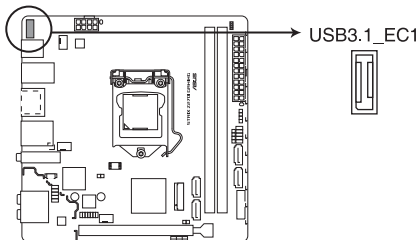
**STRIX Z270I GAMING USB3.0 Front panel connectors**



The USB 3.0 module is purchased separately.

### 4. USB 3.1 front panel connector (USB3.1\_EC1)

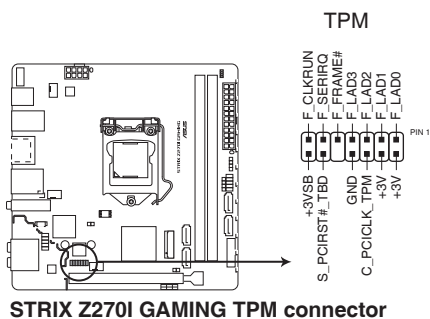
This connector allows you to connect a USB 3.1 module for additional USB 3.1 ports. The latest USB 3.1 connectivity provides data transfer speeds of up to 10 Gbps. The next-generation standard is completely backward-compatible with your existing USB devices.



**STRIX Z270I GAMING USB3.1\_EC1**

## 5. TPM connector (14-1 pin TPM)

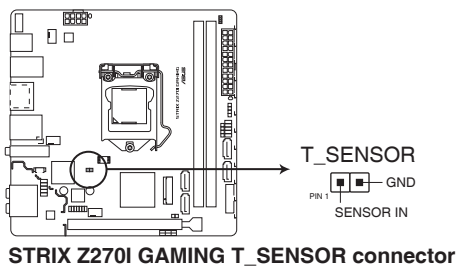
This connector supports a Trusted Platform Module (TPM) system, which securely stores keys, digital certificates, passwords and data. A TPM system also helps enhance network security, protect digital identities, and ensures platform integrity.



The TPM module is purchased separately.

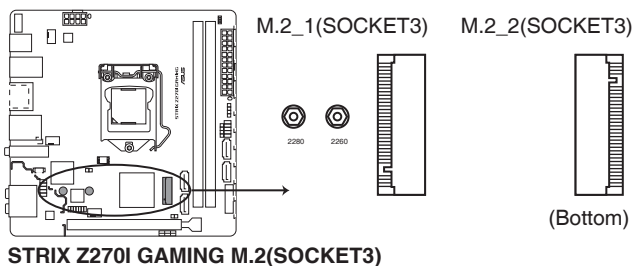
## 6. Thermal sensor connector (2-pin T\_SENSOR)

This connector is for the thermistor cable that monitors the temperature of the devices and the critical components inside the motherboard. Connect the thermistor cable and place the sensor on the device or the motherboard's component to detect its temperature.



## 7. M.2 sockets (M.2\_1-2)

These sockets allow you to install M.2 SSD modules.



**STRIX Z270I GAMING M.2(SOCKET3)**



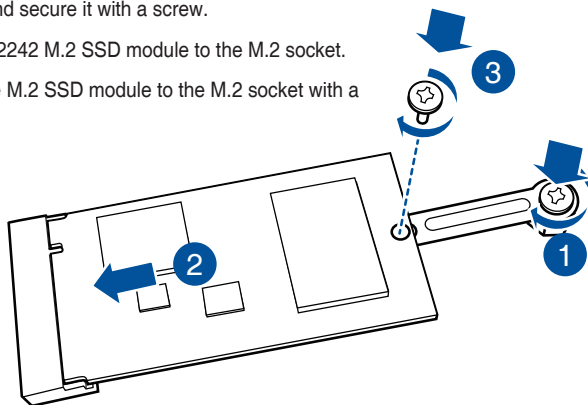
- M.2\_1 socket supports PCIe 3.0 x4 and SATA M Key design and type 2242/2260/2280 SATA storage devices.
- M.2\_2 socket supports PCIe 3.0 x4 M Key design and type 2242/2260/2280 PCIe storage devices.



- The M.2 SSD module is purchased separately.
- For a 2242 storage device, use the bundled 2242 mounting kit.

### To install a 2242 M.2 SSD module:

1. Align the bigger hole on the mounting kit with the 2260 standoff and secure it with a screw.
2. Install the 2242 M.2 SSD module to the M.2 socket.
3. Secure the M.2 SSD module to the M.2 socket with a screw.



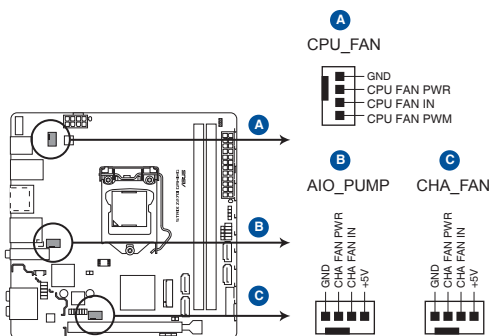
- For a 2242 storage device, use the bundled 2242 mounting kit.
- Before installing a 2242 M.2 SSD module, ensure that the mounting kit is properly installed with the bigger screw hole on the 2260 standoff.

## 8. CPU, AIO pump, and chassis fan connectors (4-pin CPU\_FAN, 4-pin AIO\_PUMP, 4-pin CHA\_FAN)

Connect the fan cables to the fan connectors on the motherboard, ensuring that the black wire of each cable matches the ground pin of the connector.



- DO NOT forget to connect the fan cables to the fan connectors. Insufficient air flow inside the system may damage the motherboard components. These are not jumpers! Do not place jumper caps on the fan connectors!
- Ensure that the CPU fan cable is securely installed to the CPU fan connector.



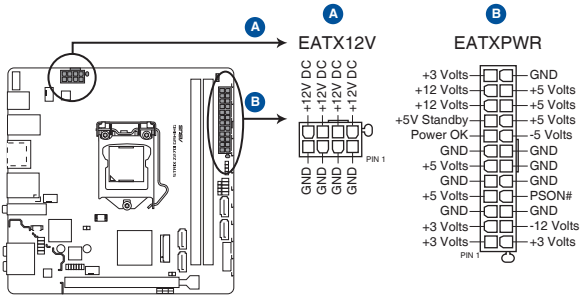
**STRIX Z270I GAMING Fan connectors**



- The CPU\_FAN connector supports the CPU fan of maximum 1A (12 W) fan power.
- Connect the fan of your water cooling kit to the AIO\_PUMP connector.

## 9. ATX power connectors (24-pin EATXPWR, 8-pin EATX12V)

These connectors are for ATX power supply plugs. The power supply plugs are designed to fit these connectors in only one orientation. Find the proper orientation and push down firmly until the connectors completely fit.



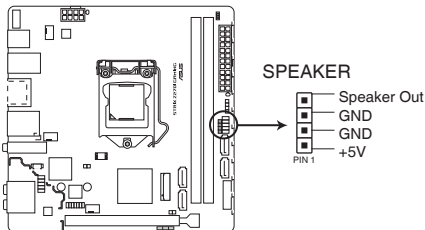
**STRIX Z270I GAMING ATX power connectors**



- For a fully configured system, we recommend that you use a power supply unit (PSU) that complies with ATX 12 V Specification 2.0 (or later version) and provides a minimum power of 350 W.
- DO NOT forget to connect the 8-pin EATX12V power plug. Otherwise, the system will not boot.
- We recommend that you use a PSU with a higher power output when configuring a system with more power-consuming devices. The system may become unstable or may not boot up if the power is inadequate.
- If you want to use two or more high-end PCI Express x16 cards, use a PSU with 1000W power or above to ensure the system stability.

## 10. Speaker connector (4-pin SPEAKER)

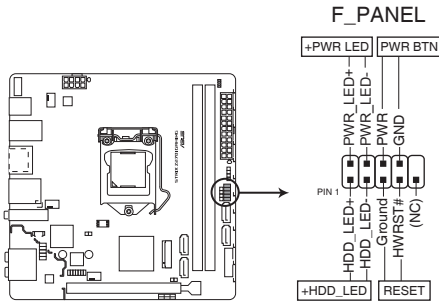
The 4-pin connector is for the chassis-mounted system warning speaker. The speaker allows you hear system beeps and warnings.



**STRIX Z270I GAMING Speaker out connector**

## 11. System panel connector (10-1 pin PANEL)

This connector supports several chassis-mounted functions.



- **System power LED (2-pin PWR\_LED)**

This 2-pin connector is for the system power LED. Connect the chassis power LED cable to this connector. The system power LED lights up when you turn on the system power, and blinks when the system is in sleep mode.

- **Hard disk drive activity LED (2-pin HDD\_LED)**

This 2-pin connector is for the HDD Activity LED. Connect the HDD Activity LED cable to this connector. The HDD LED lights up or flashes when data is read from or written to the HDD.

- **ATX power button/soft-off button (2-pin PWR\_BTN)**

This connector is for the system power button.

- **Reset button (2-pin RESET)**

This 2-pin connector is for the chassis-mounted reset button for system reboot without turning off the system power.



# Basic Installation

# 2

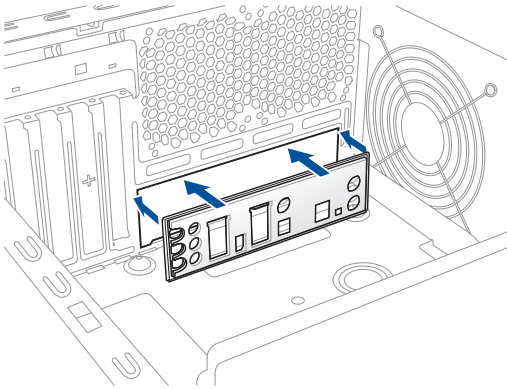
## 2.1 Building your PC system



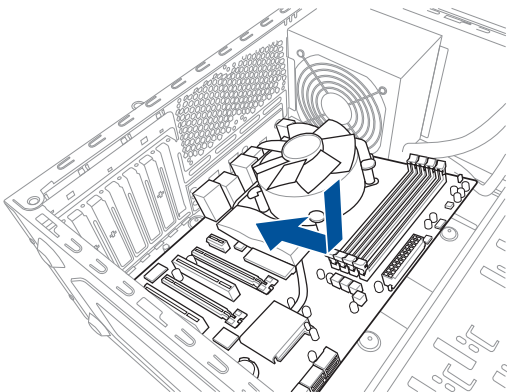
The diagrams in this section are for reference only. The motherboard layout may vary with models, but the installation steps are the same for all models.

### 2.1.1 Motherboard installation

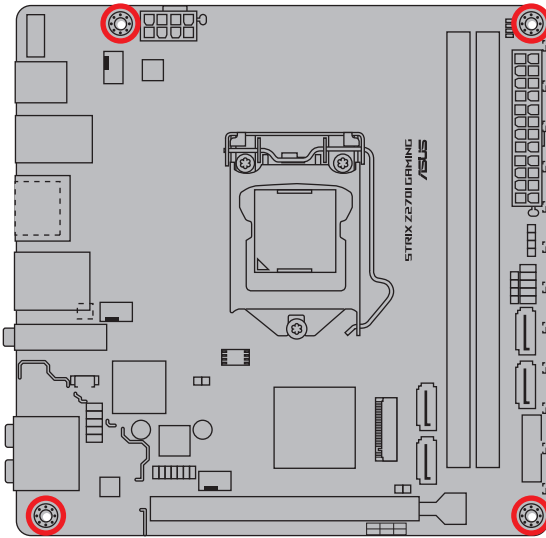
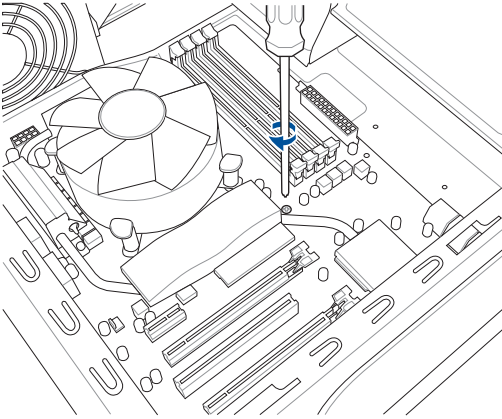
1. Install the ASUS Q-Shield to the chassis rear I/O panel.



2. Place the motherboard into the chassis, ensuring that its rear I/O ports are aligned to the chassis' rear I/O panel.



3. Place four (4) screws into the holes indicated by circles to secure the motherboard to the chassis.

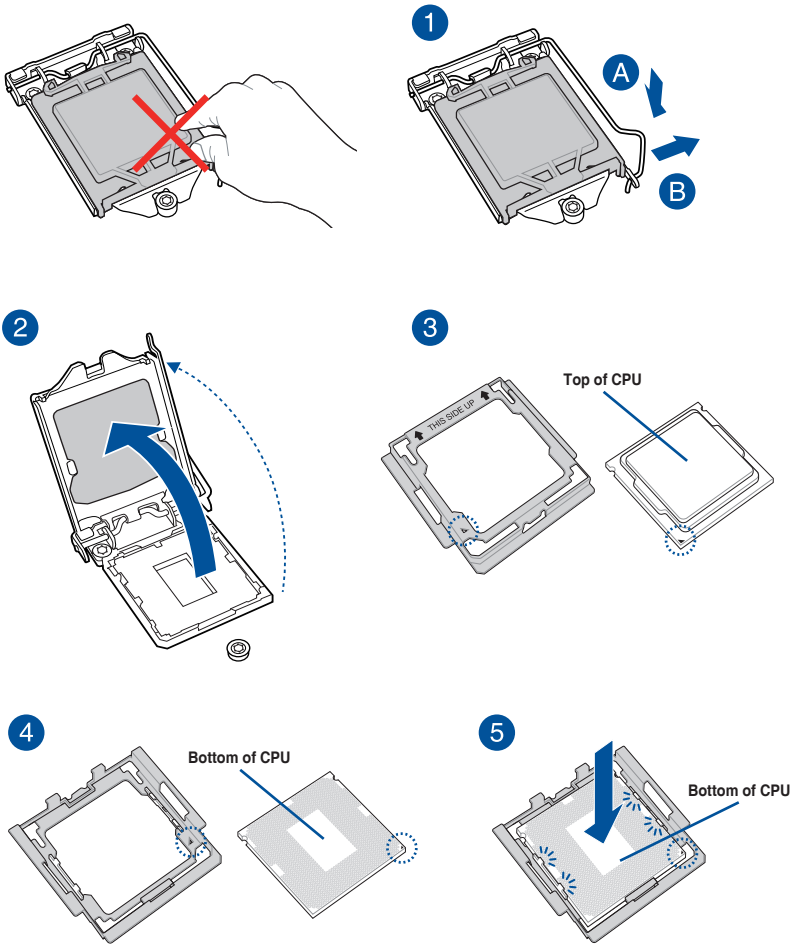


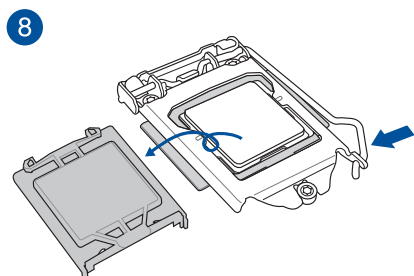
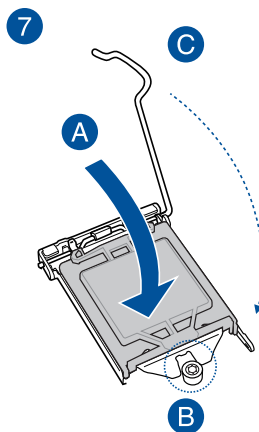
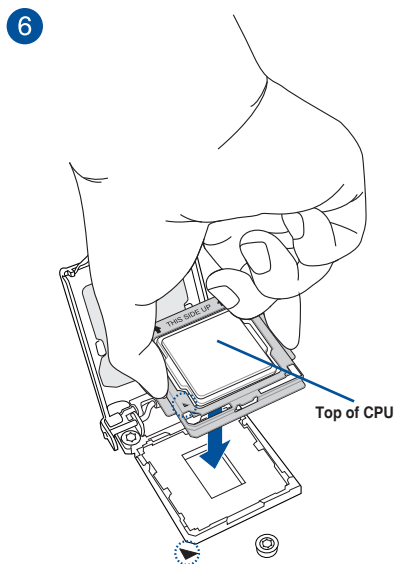
DO NOT overtighten the screws! Doing so can damage the motherboard.

## 2.1.2 CPU installation



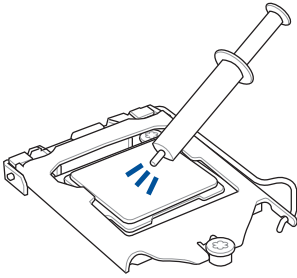
Ensure that you install the correct CPU designed for LGA1151 socket only. DO NOT install a CPU designed for LGA1155 and LGA1156 sockets on the LGA1151 socket.





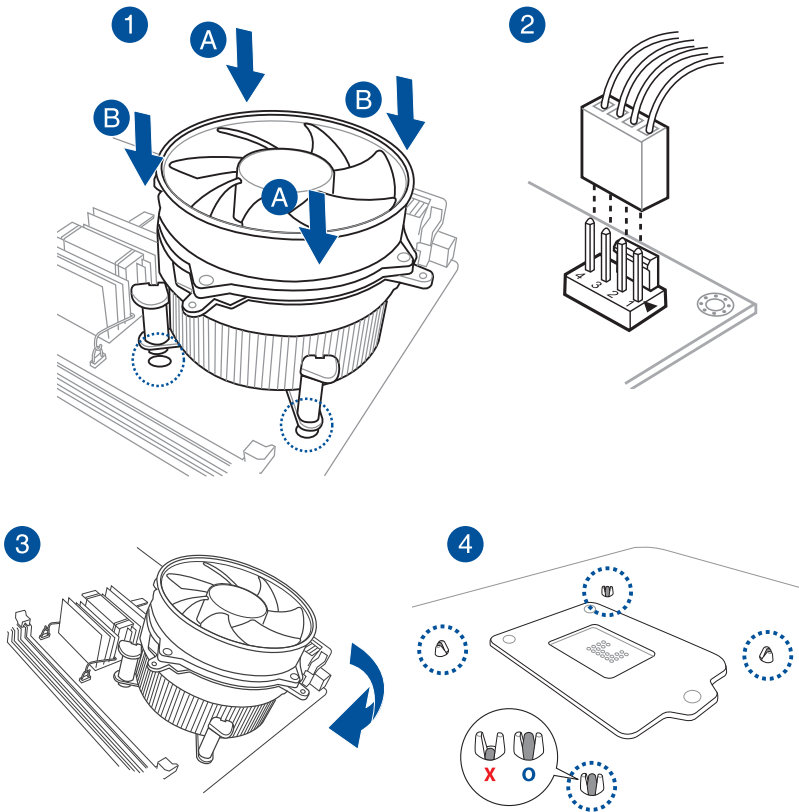
- The CPU Installation Tool is only compatible on ASUS motherboards with a Intel® LGA1151 socket.
- Ensure that the CPU is firmly clicked into place before installing it onto the CPU socket on the motherboard.
- Use the CPU Installation Tool for installing the CPU only. DO NOT damage or bend the CPU Installation Tool.
- Always firmly hold both sides of the CPU Installation Tool when installing, removing, or picking up the CPU Installation Tool.
- Ensure to use a soft stable surface when installing the CPU to the CPU Installation Tool to prevent CPU damage.
- ASUS will not cover damages resulting from incorrect CPU installation/removal, incorrect CPU orientation/placement, or other damages resulting from negligence by the user.

## 2.1.3 CPU heatsink and fan assembly installation

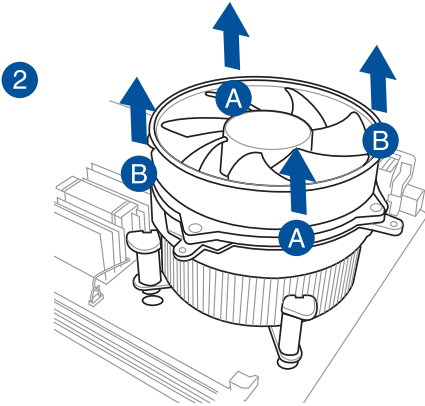
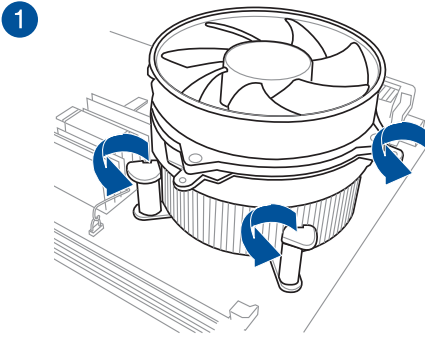


Apply the Thermal Interface Material to the CPU heatsink and CPU before you install the heatsink and fan, if necessary.

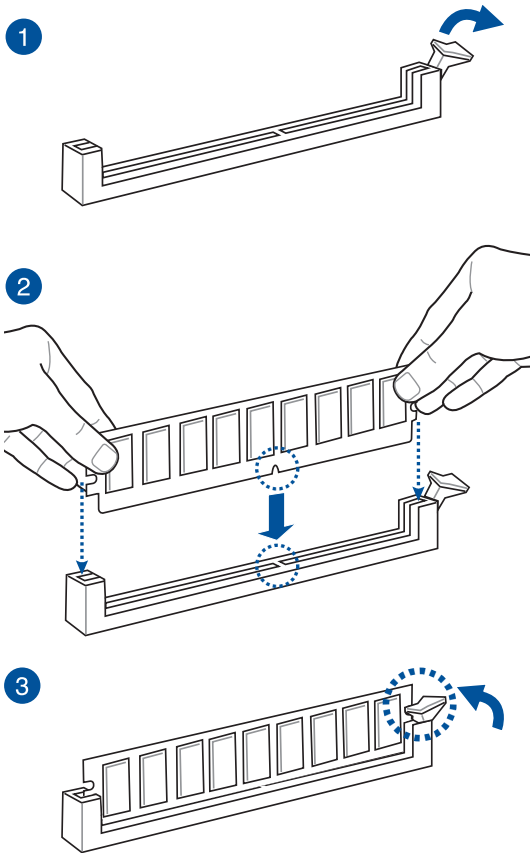
To install the CPU heatsink and fan assembly



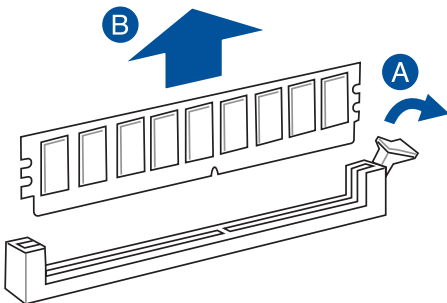
To uninstall the CPU heatsink and fan assembly



## 2.1.4 DIMM installation

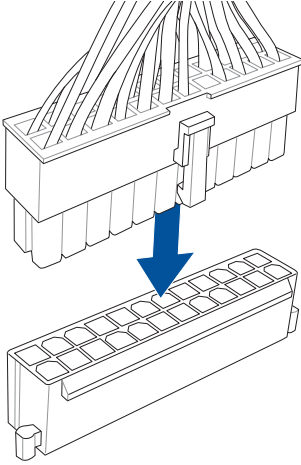


To remove a DIMM

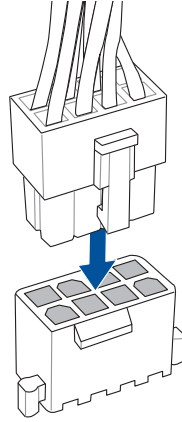


## 2.1.5 ATX power connection

1



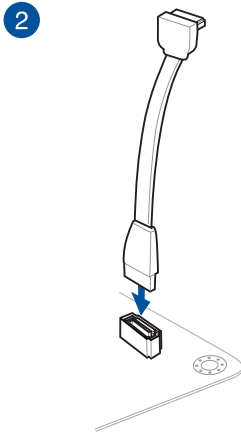
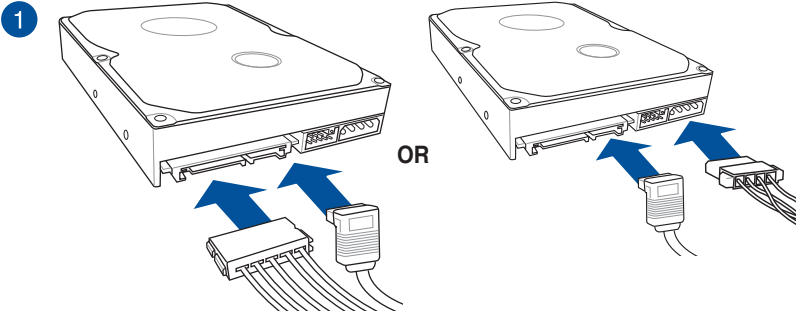
2



Ensure to connect the 8-pin power plug.

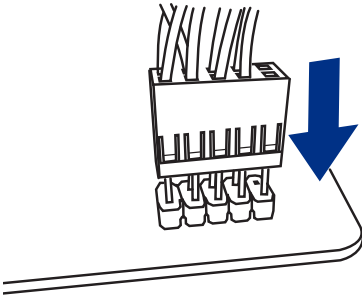


## 2.1.6 SATA device connection

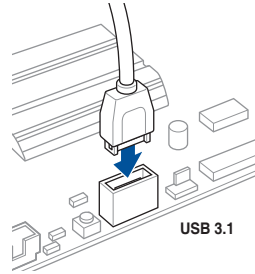


## 2.1.7 Front I/O connector

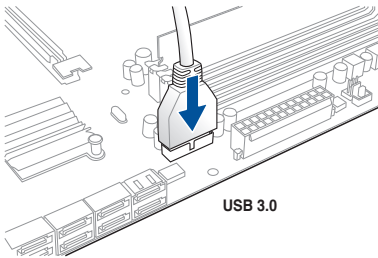
To install front panel connector



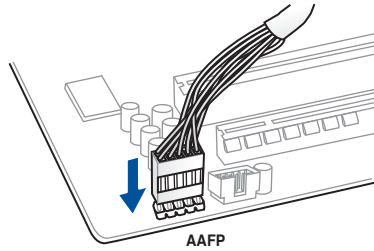
To install USB 3.1 connector



To install USB 3.0 connector

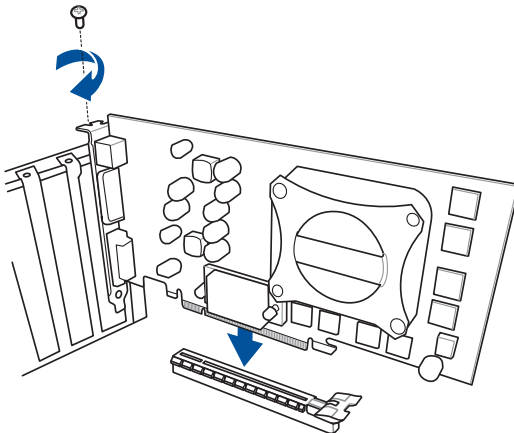


To install front panel audio connector



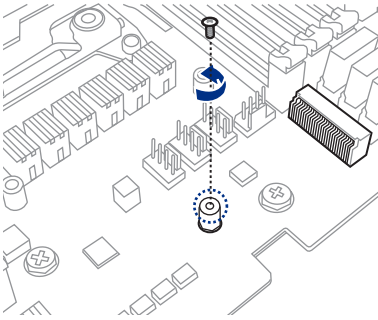
## 2.1.8 Expansion card installation

To install PCIe x16 cards

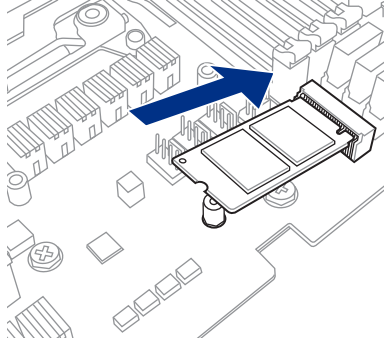


## 2.1.9 M.2 installation

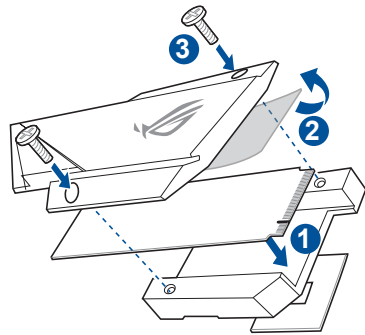
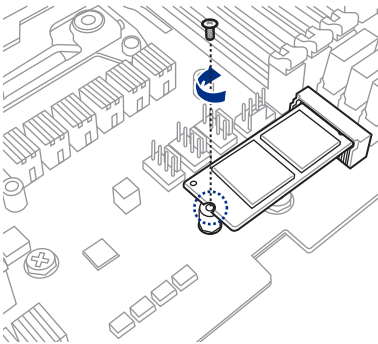
1



2



3

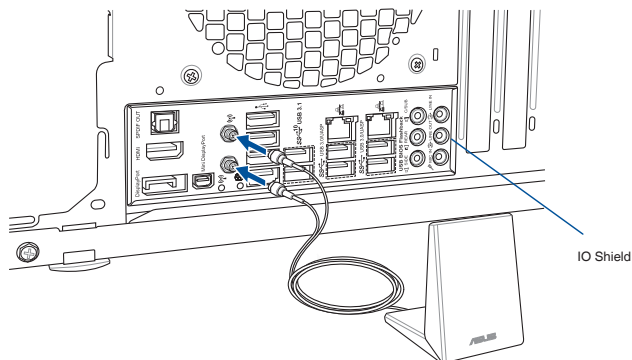


The M.2 SSD is purchased separately.

## 2.1.10 Wi-Fi antenna installation

### Installing the ASUS 2x2 dual band W-Fi antenna

Connect the bundled ASUS 2x2 dual band Wi-Fi antenna connector to the Wi-Fi ports at the back of the chassis.



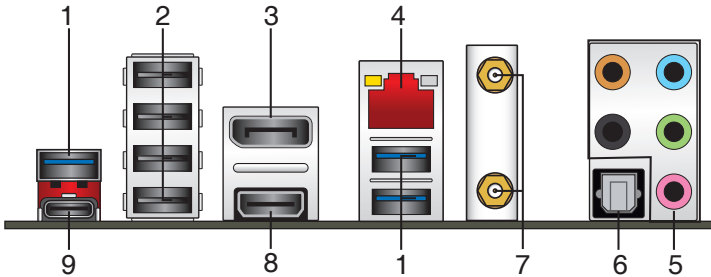
- Ensure that the ASUS 2x2 dual band Wi-Fi antenna is securely installed to the Wi-Fi ports.
- Ensure that the antenna is at least 20 cm away from all persons.



The illustration above is for reference only. The I/O port layout may vary with models, but the Wi-Fi antenna installation procedure is the same for all models.

## 2.2 Motherboard rear and audio connections

### 2.2.1 Rear I/O connection



| Rear panel connectors      |  |
|----------------------------|--|
| 1. USB 3.0 ports           | 6. Optical S/PDIF Out port                 |
| 2. USB 2.0 ports           | 7. Wi-Fi 802.11 a/b/g/n/ac, Bluetooth V4.0 |
| 3. DisplayPort             | 8. HDMI port                               |
| 4. Intel® LAN port (LAN1)* | 9. USB 3.1 Type-C port EC1                 |
| 5. Audio I/O ports**       |  |

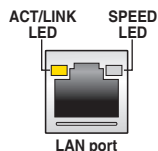
\* and \*\*: Refer to the tables on the next page for LAN port LEDs and audio port definitions.



- The plugged USB 3.0 device may run on xHCI mode or EHCI mode, depending on the operating system's setting.
- USB 3.0 devices can only be used as data storage only.
- We strongly recommend that you connect USB 3.0 devices to USB 3.0 ports for faster and better performance for your USB 3.0 devices.

## \* LAN ports LED indications

| Activity Link LED             |                               | Speed LED |                     |
|-------------------------------|-------------------------------|-----------|---------------------|
| Status                        | Description                   | Status    | Description         |
| Off                           | No link                       | Off       | 10 Mbps connection  |
| Orange                        | Linked                        | Orange    | 100 Mbps connection |
| Orange (Blinking)             | Data activity                 | Green     | 1 Gbps connection   |
| Orange (Blinking then steady) | Ready to wake up from S5 mode |           |                     |



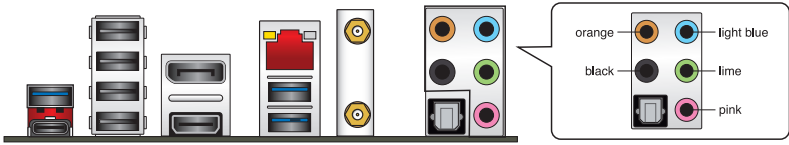
You can disable the LAN controllers in BIOS. Due to hardware design, the LAN1 port's LEDs may continue to blink even when disabled.

## \*\* Audio 2, 4, 6, or 8-channel configuration

| Port       | Headset 2-channel | 4-channel         | 6-channel         | 8-channel         |
|------------|-------------------|-------------------|-------------------|-------------------|
| Light Blue | Line In           | Line In           | Line In           | Side speaker      |
| Lime       | Line Out          | Front Speaker Out | Front Speaker Out | Front Speaker Out |
| Pink       | Mic In            | Mic In            | Mic In            | Mic In            |
| Orange     | –                 | –                 | Center/Subwoofer  | Center/Subwoofer  |
| Black      | –                 | Rear Speaker Out  | Rear Speaker Out  | Rear Speaker Out  |

## 2.2.2 Audio I/O connections

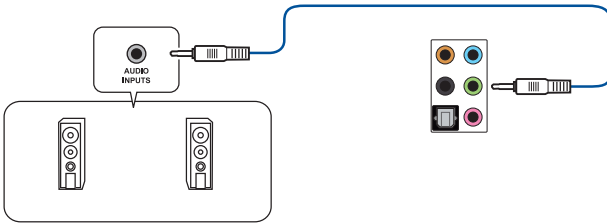
### Audio I/O ports



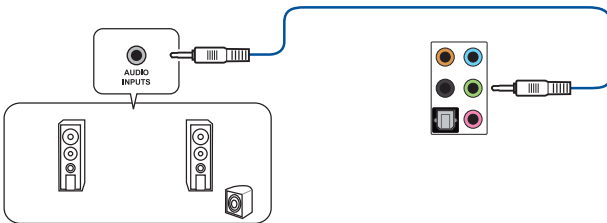
### Connect to Headphone and Mic



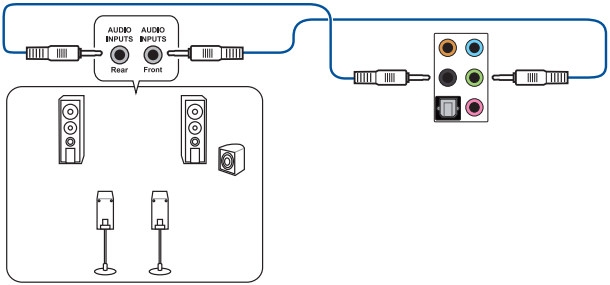
### Connect to Stereo Speakers



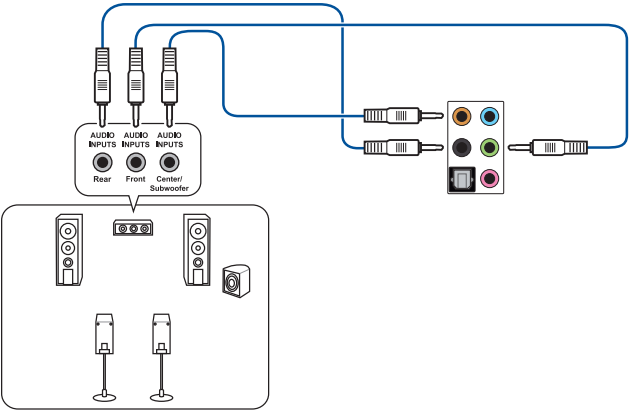
### Connect to 2 channel Speakers



## Connect to 4 channel Speakers



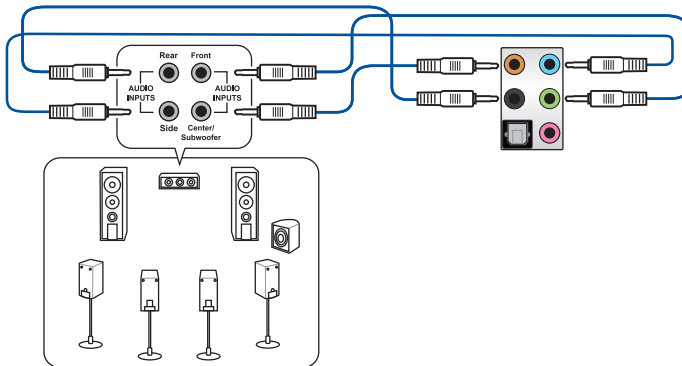
## Connect to 6 channel Speakers



If you are using Windows® 8.1/10 platform, use only the light blue audio port for Side Speaker Out in a 6-channel configuration.



## Connect to 8 channel Speakers



## 2.3 Starting up for the first time

1. After making all the connections, replace the system case cover.
2. Ensure that all switches are off.
3. Connect the power cord to the power connector at the back of the system chassis.
4. Connect the power cord to a power outlet that is equipped with a surge protector.
5. Turn on the devices in the following order:
  - a. Monitor
  - b. External SCSI devices (starting with the last device on the chain)
  - c. System power
6. After applying power, the system power LED on the system front panel case lights up. For systems with ATX power supplies, the system LED lights up when you press the ATX power button. If your monitor complies with the “green” standards or if it has a “power standby” feature, the monitor LED may light up or change from orange to green after the system LED turns on.

The system then runs the power-on self tests (POST). While the tests are running, the BIOS beeps (refer to the BIOS beep codes table) or additional messages appear on the screen. If you do not see anything within 30 seconds from the time you turned on the power, the system may have failed a power-on test. Check the jumper settings and connections or call your retailer for assistance.

| BIOS Beep   | Description  |
|---|--|
| One short beep  | VGA detected<br>Quick boot set to disabled<br>No keyboard detected |
| One continuous beep followed by two short beeps then a pause (repeated) | No memory detected   |
| One continuous beep followed by three short beeps                       | No VGA detected  |
| One continuous beep followed by four short beeps                        | Hardware component failure   |

- At power on, hold down the <Delete> key to enter the BIOS Setup. Follow the instructions in Chapter 3.

## 2.4 Turning off the computer

While the system is ON, press the power button for less than four seconds to put the system on sleep mode or soft-off mode, depending on the BIOS setting. Press the power switch for more than four seconds to let the system enter the soft-off mode regardless of the BIOS setting.

# BIOS Setup

# 3

## 3.1 Knowing BIOS

---



The new ASUS UEFI BIOS is a Unified Extensible Interface that complies with UEFI architecture, offering a user-friendly interface that goes beyond the traditional keyboard-only BIOS controls to enable a more flexible and convenient mouse input. You can easily navigate the new UEFI BIOS with the same smoothness as your operating system. The term “BIOS” in this user manual refers to “UEFI BIOS” unless otherwise specified.

---

BIOS (Basic Input and Output System) stores system hardware settings such as storage device configuration, overclocking settings, advanced power management, and boot device configuration that are needed for system startup in the motherboard CMOS. In normal circumstances, the default BIOS settings apply to most conditions to ensure optimal performance. **DO NOT change the default BIOS settings** except in the following circumstances:

- An error message appears on the screen during the system bootup and requests you to run the BIOS Setup.
- You have installed a new system component that requires further BIOS settings or update.



Inappropriate BIOS settings may result to instability or boot failure. **We strongly recommend that you change the BIOS settings only with the help of a trained service personnel.**

---



When downloading or updating the BIOS file, rename it as **Z270IGAM.CAP** for this motherboard.

---

## 3.2 BIOS setup program

Use the BIOS Setup to update the BIOS or configure its parameters. The BIOS screen include navigation keys and brief onscreen help to guide you in using the BIOS Setup program.

### Entering BIOS at startup

To enter BIOS Setup at startup, press <Delete> or <F2> during the Power-On Self Test (POST). If you do not press <Delete> or <F2>, POST continues with its routines.

### Entering BIOS Setup after POST

To enter BIOS Setup after POST:

- Press <Ctrl>+<Alt>+<Delete> simultaneously.
- Press the reset button on the system chassis.
- Press the power button to turn the system off then back on. Do this option only if you failed to enter BIOS Setup using the first two options.

After doing either of the three options, press <Delete> key to enter BIOS.



- 
- The BIOS setup screens shown in this section are for reference purposes only, and may not exactly match what you see on your screen.
  - Ensure that a USB mouse is connected to your motherboard if you want to use the mouse to control the BIOS setup program.
  - If the system becomes unstable after changing any BIOS setting, load the default settings to ensure system compatibility and stability. Select the **Load Optimized Defaults** item under the **Exit** menu or press hotkey <F5>. See section 3.10 **Exit Menu** for details.
  - If the system fails to boot after changing any BIOS setting, try to clear the CMOS and reset the motherboard to the default value. See section 1.1.7 **Jumpers** for information on how to erase the RTC RAM via the Clear CMOS jumper.
  - The BIOS setup program does not support the Bluetooth devices.
- 

### BIOS menu screen

The BIOS Setup program can be used under two modes: **EZ Mode** and **Advanced Mode**. You can change modes from **Setup Mode** in **Boot menu** or by pressing the <F7> hotkey.

### 3.2.1 EZ Mode

By default, the EZ Mode screen appears when you enter the BIOS setup program. The EZ Mode provides you an overview of the basic system information, and allows you to select the display language, system performance, mode and boot device priority. To access the Advanced Mode, select **Advanced Mode** or press the <F7> hotkey for the advanced BIOS settings.



The default screen for entering the BIOS setup program can be changed. Refer to the **Setup Mode** item in section **Boot menu** for details.

The screenshot shows the ASUS UEFI BIOS Utility in EZ Mode. The interface is dark-themed with red accents. At the top, it displays the date (01/03/2016), time (08:34), language (English), and EZ Tuning Wizard (F11). The main area is divided into several sections: Information (STRIX Z270I GAMING, BIOS Ver. 0226, Intel(R) Core(TM) i3-6300 CPU @ 3.80GHz, Speed: 3800 MHz, Memory: 4096 MB (DDR4 2133MHz)), CPU Temperature (66°C), CPU Core Voltage (1.184 V), Motherboard Temperature (32°C), EZ System Tuning (Quiet, Performance, Energy Saving), DRAM Status (DIMM\_A1: SK Hynix 4096MB 2133MHz, DIMM\_B1: N/A), SATA Information (M.2\_1: N/A, SATA6G\_1-4: N/A), X.M.P. (Disabled), FAN Profile (CPU FAN 1553 RPM, CHA FAN N/A, AIO PUMP N/A), Intel Rapid Storage Technology (On), and CPU FAN speed graph (0-100% RPM). At the bottom, there are navigation options: Default(F5), Save & Exit(F10), Advanced Mode(F7) with a right arrow icon, and Search on FAQ. A Boot Priority section is also visible on the right side.

**Displays the system properties of the selected mode. Click < or > to switch EZ System Tuning modes**

**Displays the CPU/motherboard temperature, CPU voltage output, CPU/chassis/power fan speed, and SATA information**

**Selects the display language of the BIOS setup program**

**Creates storage RAID and configures system overclocking**

**Enables or disables the SATA RAID mode for Intel Rapid Storage Technology**

**Displays the CPU Fan's speed. Click the button to manually tune the fans**

**Loads optimized default settings**

**Saves the changes and resets the system**

**Click to go to Advanced mode**

**Search on the FAQ**

**Click to display boot devices**

**Selects the boot device priority**



The boot device options vary depending on the devices you installed to the system.

### 3.2.2 Advanced Mode

The Advanced Mode provides advanced options for experienced end-users to configure the BIOS settings. The figure below shows an example of the Advanced Mode. Refer to the following sections for the detailed configurations.



To switch from EZ Mode to Advanced Mode, click **Advanced Mode(F7)** or press the <F7> hotkey.

The screenshot shows the ASUS UEFI BIOS Utility in Advanced Mode. The interface is dark-themed with red accents. At the top, there's a header with the ASUS logo, 'UEFI BIOS Utility - Advance Mode', and system information like '01/03/2016 Sunday' and '08:34'. Below the header is a navigation bar with tabs: 'My Favorites', 'Main', 'AI Tweaker', 'Advanced', 'Monitor', 'Boot', 'Tool', and 'Exit'. The 'AI Tweaker' tab is selected. The main area is divided into several sections: 'CPU Core Ratio' (with sub-sections for 1-Core and 2-Core Ratio Limits, DRAM Odd Ratio Mode, and DRAM Frequency), 'TPU' (with EPU and Performance Mode), and 'CPU SVID Support' (with sub-sections for DRAM Timing Control, DIGI+ VRM, Internal CPU Power Management, and Tweaker's Paradise). A 'Hardware Monitor' panel on the right displays real-time data for CPU (Frequency: 3800 MHz, Temperature: 67°C, BCLK: 100.0 MHz, Core Voltage: 1.184 V, Ratio: 38x) and Memory (Frequency: 2133 MHz, Voltage: 1.232 V, Capacity: 4096 MB). A 'Voltage' section shows +12V (+5V), 12.000 V (5.160 V), +3.2V, and 3.328 V. A bottom status bar includes 'Version 2.17.1246. Copyright (C) 2016 American Megatrends, Inc.', 'Last Modified', 'EZ Mode(F7)', and 'Search on FAQ'. A red box highlights a warning message: 'Disable this item to prevent the CPU from communicating with the external voltage regulator. A setting of Disabled is recommended for overclocking.' Red lines connect various UI elements to labels: 'Pop-up Menu', 'Configuration fields', 'Menu bar', 'Language', 'MyFavorite(F3)', 'Qfan Control(F6)', 'EZ Tuning Wizard(F11)', 'Hot Keys', 'Scroll bar', 'Menu items', 'General help', 'Last modified settings', 'Go back to EZ Mode', and 'Search on the FAQ'.

## Menu bar

The menu bar on top of the screen has the following main items:

|                     |   |
|---------------------|---|
| <b>My Favorites</b> | For saving the frequently-used system settings and configuration.                   |
| <b>Main</b>         | For changing the basic system configuration   |
| <b>Ai Tweaker</b>   | For changing the overclocking settings  |
| <b>Advanced</b>     | For changing the advanced system settings   |
| <b>Monitor</b>      | For displaying the system temperature, power status, and changing the fan settings. |
| <b>Boot</b>         | For changing the system boot configuration  |
| <b>Tool</b>         | For configuring options for special functions                                       |
| <b>Exit</b>         | For selecting the exit options and loading default settings                         |

## Menu items

The highlighted item on the menu bar displays the specific items for that menu. For example, selecting **Main** shows the Main menu items.

The other items (My Favorites, Ai Tweaker, Advanced, Monitor, Boot, Tool, and Exit) on the menu bar have their respective menu items.

## Submenu items

A greater than sign (>) before each item on any menu screen means that the item has a submenu. To display the submenu, select the item and press <Enter>.

## Language

This button above the menu bar contains the languages that you can select for your BIOS. Click this button to select the language that you want to display in your BIOS screen.

## My Favorites(F3)

This button above the menu bar shows all BIOS items in a Tree Map setup. Select frequently-used BIOS settings and save it to MyFavorites menu.



---

Refer to section **3.3 My Favorites** for more information.

---

## Q-Fan Control(F6)

This button above the menu bar displays the current settings of your fans. Use this button to manually tweak the fans to your desired settings.



---

Refer to section **3.2.3 QFan Control** for more information.

---

## EZ Tuning Wizard(F11)

This button above the menu bar allows you to view and tweak the overclocking settings of your system. It also allows you to change the motherboard's SATA mode from AHCI to RAID mode.



---

Refer to section **3.2.4 EZ Tuning Wizard** for more information.

---

## Search on FAQ

Move your mouse over this button to show a QR code, scan this QR code on your mobile device to connect to the BIOS FAQ web page of the ASUS support website. You can also scan the following QR code:



## Hot keys

This button above the menu bar contains the navigation keys for the BIOS setup program. Use the navigation keys to select items in the menu and change the settings.

## Scroll bar

A scroll bar appears on the right side of a menu screen when there are items that do not fit on the screen. Press the Up/Down arrow keys or <Page Up> / <Page Down> keys to display the other items on the screen.

## General help

At the bottom of the menu screen is a brief description of the selected item. Use <F12> key to capture the BIOS screen and save it to the removable storage device.

## Configuration fields

These fields show the values for the menu items. If an item is user-configurable, you can change the value of the field opposite the item. You cannot select an item that is not user-configurable.

A configurable field is highlighted when selected. To change the value of a field, select it and press <Enter> to display a list of options.

## Last Modified button

This button shows the items that you last modified and saved in BIOS Setup.



### 3.2.3 QFan Control

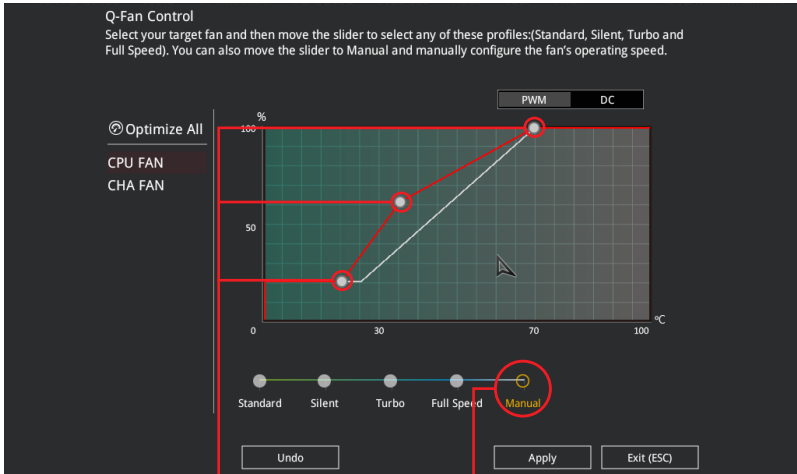
The QFan Control allows you to set a fan profile or manually configure the operating speed of your CPU and chassis fans.

The screenshot shows the QFan Control interface with the following elements and annotations:

- Q-Fan Control** header with a sub-header: "Select your target fan and then move the slider to select any of these profiles: Standard, Silent, Turbo and Full Speed). You can also move the slider to Manual and manually configure the fan's operating speed."
- Mode Selection:** "PWM" and "DC" buttons at the top right. An annotation "Click to activate DC Mode" points to the "DC" button.
- Graph:** A line graph showing fan speed (%) on the y-axis (0, 50, 100) and temperature (°C) on the x-axis (0, 30, 70, 100). The graph shows a profile that is flat at ~25% until 20°C, then rises to ~75% at 70°C, and finally reaches 100% at 100°C.
- Profile Selection:** A row of radio buttons for "Standard", "Silent", "Turbo", "Full Speed", and "Manual". An annotation "Click to activate PWM Mode" points to the "Standard" button. An annotation "Click to select a fan to be configured" points to the "Standard" button.
- Control Buttons:** "Undo", "Apply", and "Exit (ESC)" buttons at the bottom. Annotations include: "Click to apply the fan setting" pointing to "Apply", "Click to go back to main menu" pointing to "Exit (ESC)", and "Click to undo the changes" pointing to "Undo".
- Left Panel:** A sidebar with "Optimize All", "CPU FAN", and "CHA FAN" options. An annotation "Select a profile to apply to your fans" points to the "Optimize All" option.
- Manual Control:** A slider below the profile buttons. An annotation "Select to manually configure your fans" points to this slider.

## Configuring fans manually

Select **Manual** from the list of profiles to manually configure your fans' operating speed.



Speed points

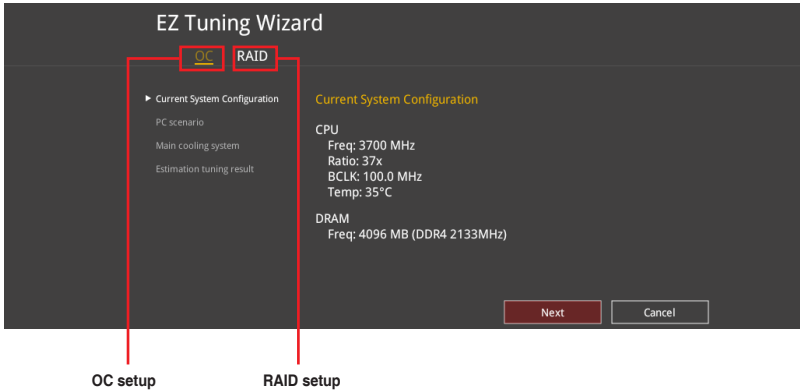
Select to manually  
configure your fans

To configure your fans:

1. Select the fan that you want to configure and to view its current status.
2. Click and drag the speed points to adjust the fans' operating speed.
3. Click **Apply** to save the changes then click **Exit (ESC)**.

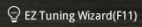
### 3.2.4 EZ Tuning Wizard

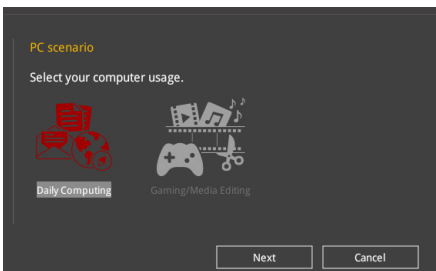
EZ Tuning Wizard allows you to easily overclock your CPU and DRAM, computer usage, and CPU fan to their best settings. You can also set RAID in your system using this feature.



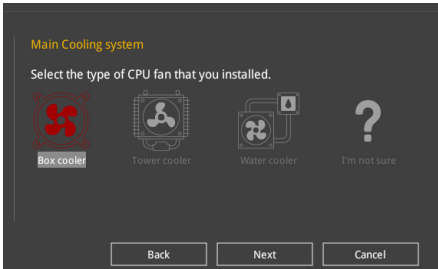
#### OC Tuning

To start OC Tuning:

1. Press <F11> on your keyboard or click  from the BIOS screen to open EZ Tuning Wizard screen.
2. Click **OC** then click **Next**.
3. Select a PC scenario **Daily Computing** or **Gaming/Media Editing**, then click **Next**.



4. Select a Main Cooling System **BOX cooler**, **Tower cooler**, **Water cooler**, or **I'm not sure**, then click **Next**.



5. After selecting the Main Cooling System, click **Next** then click **Yes** to start the OC Tuning.

## Creating RAID

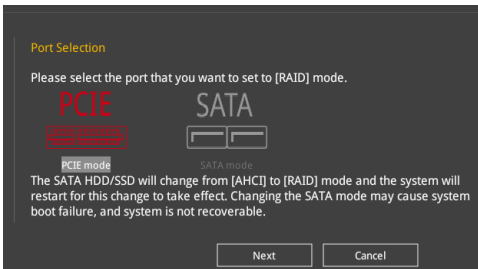
To create RAID:

1. Press <F11> on your keyboard or click **EZ Tuning Wizard(F11)** from the BIOS screen to open EZ Tuning Wizard screen.
2. Click **RAID** then click **Next**.

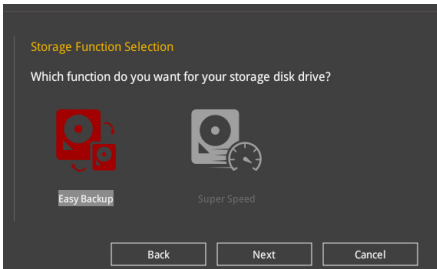


- Ensure that your HDDs have no existing RAID volumes.
- Ensure to connect your HDDs to Intel® SATA connectors.

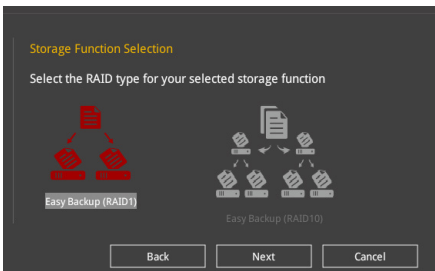
3. Select the port that you want to set to [RAID] mode, **PCIe** or **SATA**, then click **Next**.



4. Select the type of storage for your RAID, **Easy Backup** or **Super Speed**, then click **Next**.



- a. For Easy Backup, click **Next** then select from **Easy Backup (RAID1)** or **Easy Backup (RAID10)**.

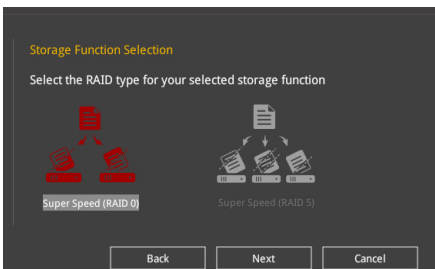


---

You can only select Easy Backup (RAID 10) if you connect four (4) HDDs.

---

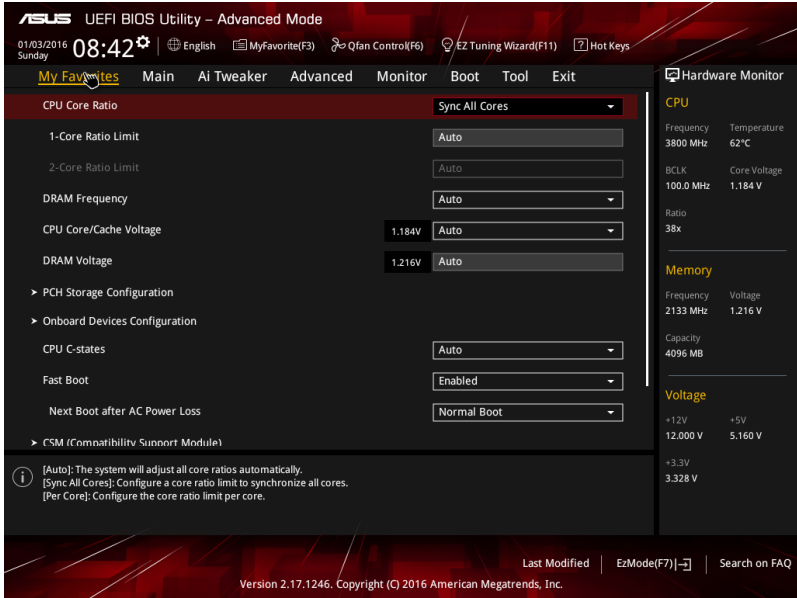
- b. For Super Speed, click **Next** then select from **Super Speed (RAID0)** or **Super Speed (RAID5)**.



5. After selecting the type of RAID, click **Next** then click **Yes** to continue the RAID setup.
6. After the RAID setup is done, click **Yes** to exit the setup then click **OK** to reset your system.

### 3.3 My Favorites

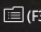
My Favorites is your personal space where you can easily save and access your favorite BIOS items.

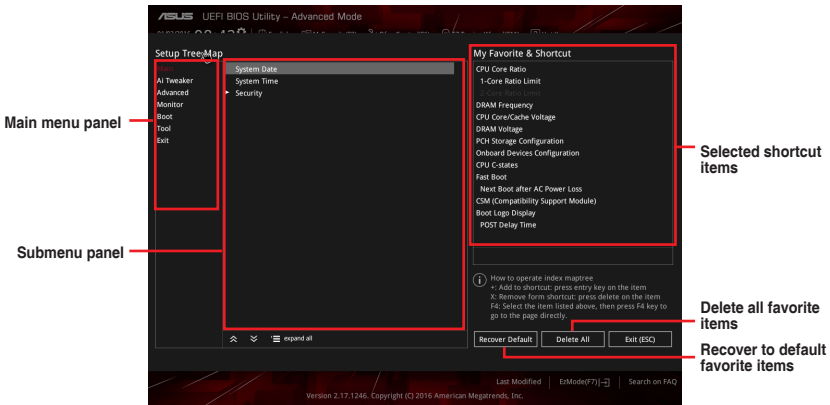



My Favorites comes with several performance, power saving, and fast boot related items by default. You can personalize this screen by adding or removing items.

## Adding items to My Favorites

To add BIOS items:

1. Press <F3> on your keyboard or click  (F3)MyFavorite from the BIOS screen to open Setup Tree Map screen.
2. On the Setup Tree Map screen, select the BIOS items that you want to save in My Favorites screen.



3. Select an item from main menu panel, then click the submenu that you want to save as favorite from the submenu panel and click  or press <Enter> on your keyboard.



You cannot add the following items to My Favorite items:

- Items with submenu options
- User-managed items such as language and boot order
- Configuration items such as Memory SPD Information, system time and date.

4. Click **Exit (ESC)** or press <Esc> key to close Setup Tree Map screen.
5. Go to My Favorites menu to view the saved BIOS items.

## 3.4 Main menu

The Main menu screen appears when you enter the Advanced Mode of the BIOS Setup program. The Main menu provides you an overview of the basic system information, and allows you to set the system date, time, language, and security settings.

### Security

The Security menu items allow you to change the system security settings.



- 
- If you have forgotten your BIOS password, erase the CMOS Real Time Clock (RTC) RAM to clear the BIOS password. See section 1.1.6 **Onboard buttons and switches** for information on how to erase the RTC RAM via the Clear CMOS button.
  - The Administrator or User Password items on top of the screen show the default **[Not Installed]**. After you set a password, these items show **[Installed]**.
- 

## 3.5 Ai Tweaker menu

The Ai Tweaker menu items allow you to configure overclocking-related items.



---

Be cautious when changing the settings of the Ai Tweaker menu items. Incorrect field values can cause the system to malfunction

---



---

The configuration options for this section vary depending on the CPU and DIMM model you installed on the motherboard.

---

### Ai Overclock Tuner

Allows you to select the CPU overclocking options to achieve the desired CPU internal frequency. Configuration options:

- |          |   |
|----------|---|
| [Auto]   | Loads the optimal settings for the system.  |
| [Manual] | Allows you to individually set overclocking parameters.   |
| [X.M.P.] | If you install memory modules supporting the eXtreme Memory Profile (X.M.P.) Technology, choose this item to set the profiles supported by your memory modules for optimizing the system performance. |



---

The [X.M.P.] configuration option appears only when you install memory modules supporting the eXtreme Memory Profile(X.M.P.) Technology.

---





---

The following item appears only when you set the Ai Overclocking Tuner to **[Manual]**.

---

### **BCLK Frequency**

This item allows you to set the BCLK (base clock) frequency to enhance the system performance. Use the <+> or <-> to adjust the value. The values range from 40.0 MHz to 650.0 MHz.



---

We recommend you to set the value based on the CPU specification, as high BCLK frequencies may damage the CPU permanently.

---

## **ASUS MultiCore Enhancement**

[Auto] This item allows you to maximize the overclocking performance optimized by ASUS core ratio settings.

[Disabled] This item allows you to set to default core ratio settings.

### **CPU Core Ratio**

This item allows you to set the CPU core ratio limit per core or synchronize automatically to all cores. Configuration options: [Auto] [Sync All Cores] [Per Core]

### **DRAM Frequency [Auto]**

This item allows you to set the memory operating frequency. The configurable options vary with the BCLK (base clock) frequency setting. Select the auto mode to apply the optimized setting. Configuration options: [Auto] [DDR4-800MHz] - [DDR4-4266MHz]



---

Selecting a very high memory frequency may cause the system to become unstable! If this happens, revert to the default setting.

---

### **TPU**

This item allows you to automatically overclock the CPU and DRAM frequencies and voltage for an enhanced system performance.

[Keep Current Settings] Keep the current settings without changing anything.

[TPU I] Applies air cooling overclocking conditions.

[TPU II] Applies water cooling overclocking conditions.



---

Ensure to use water cooling device before selecting **[TPU II]**.

---

## Internal CPU Power Management

The subitems in this menu allow you to set the CPU ratio and their features.

### Intel(R) SpeedStep(tm) [Auto]

This item allows the operating system to dynamically adjust the processor voltage and cores frequency, resulting to a decreased average power consumption and decreased average heat production. Configuration options: [Disabled] [Enabled]

### Turbo Mode Parameters

#### Long Duration Package Power Limit [Auto]

Allows you to limit the Turbo Ratio's time duration that exceeds the TDP (Thermal Design Power) for maximum performance. Use the <+> or <-> keys to adjust the value. The values range from 1 W to 4095 W.

#### Package Power Time Window [Auto]

Also known as Power Limit 1, this item allows you to maintain the time window for Turbo Ratio over TDP (Thermal Design Power). Use the <+> or <-> keys to adjust the value. The values range from 1 to 127 in seconds.

#### Short Duration Package Power Limit [Auto]

Also known as Power Limit 2, this item allows you to provide rapid protection when the package power exceeds the Power Limit 1. Use the <+> or <-> keys to adjust the value. The values range from 1 W to 4095 W.

## 3.6 Advanced menu

The Advanced menu items allow you to change the settings for the CPU and other system devices.



---

Be cautious when changing the settings of the Advanced menu items. Incorrect field values can cause the system to malfunction.

---

### 3.6.1 CPU Configuration

The items in this menu show the CPU-related information that the BIOS automatically detects.



---

The items shown in submenu may be different due to the CPU you installed.

---

#### Hyper-threading [Enabled]

The Intel Hyper-Threading Technology allows a hyper-threading processor to appear as two logical processors to the operating system, allowing the operating system to schedule two threads or processes simultaneously.

[Enabled] Two threads per activated core are enabled.

[Disabled] Only one thread per activated core is enabled.

## CPU Power Management Control

This item allows you to manage and configure the CPU's power.

### Intel(R) SpeedStep(tm) [Auto]

This item allows your system to support more than two frequency ranges.

Configuration options: [Auto] [Disabled] [Enabled]

### CPU C-States [Auto]

This item allows you to set the power saving of the CPU states.

Configuration options: [Auto] [Disabled] [Enabled]

## 3.6.2 Platform Misc Configuration

The items in this menu allow you to change the ASPM for PCH and SA PCI Express

## 3.6.3 System Agent (SA) Configuration

The items in this menu allow you to adjust the Link Speed for PEG Port and Multi-Monitor.

## 3.6.4 PCH Configuration

### PCI Express Configuration

This item allows you to configure the PCI Express slots.

#### PCI-E Speed [Auto]

This item allows your system to automatically select the PCI Express port speed. When set to [Gen1], the PCI-E port runs at PCI-E 1.0 speed. When set to [Gen2], the PCI-E port runs at PCI-E 2.0 speed. Configuration options: [Auto] [Gen1] [Gen2]

## 3.6.5 PCH Storage Configuration

While entering Setup, the BIOS automatically detects the presence of SATA devices. The SATA Port items show Empty if no SATA device is installed to the corresponding SATA port.

### SATA Controller(s) [Enabled]

This item allows you to enable or disable the SATA device. Configuration options: [Enabled] [Disabled]

### SATA Mode Selection

This item allows you to set the SATA configuration.

[AHCI]

Set to [AHCI] when you want the SATA hard disk drives to use the AHCI (Advanced Host Controller Interface). The AHCI allows the onboard storage driver to enable advanced Serial ATA features that increases storage performance on random workloads by allowing the drive to internally optimize the order of commands.

[Intel RST Premium With Intel Optane System Acceleration(RAID)]

Set to [Intel RST Premium With Intel Optane System Acceleration(RAID)] when you want to create a RAID configuration from the SATA hard disk drives.

### SMART Self Test [On]

SMART (Self-Monitoring, Analysis and Reporting Technology) is a monitoring system that shows a warning message during POST (Power-on Self Test) when an error occurs in the hard disks. Configuration options: [On] [Off]

### Hot Plug [Disabled] (SATA6G\_1 (Gray) ~ SATA6G\_6(Gray))

These items allow you to enable/disable SATA Hot Plug Support. Configuration options: [Disabled] [Enabled]

### Hot Plug [Disabled] (SATA6G\_1 (Gray) ~ SATA6G\_6(Gray))

These items allow you to enable/disable SATA Hot Plug Support. Configuration options: [Disabled] [Enabled]

## 3.6.6 PCH-FW Configuration

This item allows you to Configure the firmware TPM.

## 3.6.7 Onboard Devices Configuration

### HD Audio Controller [Enabled]

This item allows you to use the Azalia High Definition Audio Controller. Configuration options: [Disabled] [Enabled]



---

The following item appears only when you set the HD Audio Controller item to **[Enabled]**.

---

### Depop [Enabled]

Configuration options: [Enabled] [Disabled]

### RGB LED Lighting [On]

[On] The LEDs will always light up at the S0(Working), S3(Sleep), and S5(Soft off) states, but not light up at the S4/S5 state when the ErP Ready item is enabled.

[Off] The LEDs will not light up.

### Intel LAN Controller [Enabled]

[Enabled] Enables the Intel LAN controller.

[Disabled] Disables the controller.

### USB Type C Power Switch [Auto]

Allows you to enable the USB Type C power function. Configuration options: [Auto] [Enabled]

## 3.6.8 APM Configuration

### ErP Ready [Disabled]

Allows BIOS to switch off some power at S5 to get the system ready for ErP requirement.

When set to [Enabled], all other PME options will be switched off.

Configuration options: [Enable(S4+S5)] [Enable(S5)] [Disabled]

### 3.6.9 Network Stack Configuration

The items in this menu allow you to configure IPv4/IPv6 PXE support.

### 3.6.10 HDD/SSD SMART Information

This menu displays the SMART information of the connected devices.

### 3.6.11 USB Configuration

The items in this menu allow you to change the USB-related features.



The **USB Devices** item shows the auto-detected values. If no USB device is detected, the item shows **None**.

#### USB Single Port Control

This item allows you to enable or disable the individual USB ports.



Refer to section **1.1.2 Motherboard layout** for the location of the USB ports.

## 3.7 Monitor menu

The Monitor menu displays the system temperature/power status, and allows you to change the fan settings.

### Q-Fan Configuration

The subitems in this menu allows you to configure the Q-Fan features.

#### Qfan Tuning

Click this item to automatically detect the lowest speed and configure the minimum duty cycle for each fan.

## 3.8 Boot menu

The Boot menu items allow you to change the system boot options.

### Fast Boot [Enabled]

- [Enabled] Select to accelerate the boot speed.
- [Disabled] Select to go back to normal boot speed.



The following item appears only when you set **Fast Boot** to [Enabled].

#### Next Boot after AC Power Loss [Normal Boot]

- [Normal Boot] Returns to normal boot on the next boot after AC power loss.
- [Fast Boot] Accelerates the boot speed on the next boot after AC power loss.

## Setup Mode [EZ Mode]

[Advanced Mode] This item allows you to go to Advanced Mode of the BIOS after POST.

[EZ Mode] This item allows you to go to EZ Mode of the BIOS after POST.

## CSM (Compatibility Support Module)

Allows you to configure the CSM (Compatibility Support Module) items to fully support the various VGA, bootable devices and add-on devices for better compatibility.

### Launch CSM [Enabled]

[Auto] The system automatically detects the bootable devices and the add-on devices.

[Enabled] For better compatibility, enable the CSM to fully support the non-UEFI driver add-on devices or the Windows® UEFI mode.

[Disabled] Disable the CSM to fully support the Windows® Security Update and Security Boot.



---

The following four items appear when you set Launch CSM to [Enabled].

---

### Boot Device Control [UEFI and Legacy OPROM]

Allows you to select the type of devices that you want to boot up. Configuration options: [UEFI and Legacy OPROM] [Legacy OPROM only] [UEFI only]

### Boot from Network Devices [Legacy only]

Allows you to select the type of network devices that you want to launch. Configuration options: [Ignore] [Legacy only] [UEFI driver first]

### Boot from Storage Devices [Legacy Only]

Allows you to select the type of storage devices that you want to launch. Configuration options: [Ignore] [Legacy only] [UEFI driver first]

### Boot from PCI-E Expansion Devices [Legacy Only]

Allows you to select the type of PCI-E expansion devices that you want to launch. Configuration options: [Legacy only] [UEFI driver first]

## Secure Boot

Allows you to configure the Windows® Secure Boot settings and manage its keys to protect the system from unauthorized access and malwares during POST.

## Boot Option Priorities

These items specify the boot device priority sequence from the available devices. The number of device items that appears on the screen depends on the number of devices installed in the system.



---

To select the boot device during system startup, press <F8> when ASUS Logo appears.

---

## Boot Override

These items displays the available devices. The number of device items that appears on the screen depends on the number of devices installed in the system. Click an item to start booting from the selected device.

## 3.9 Tool menu

The Tool menu items allow you to configure options for special functions. Select an item then press <Enter> to display the submenu.

### 3.9.1 ASUS EZ Flash 3 Utility

This item allows you to run ASUS EZ Flash 3. When you press <Enter>, a confirmation message appears. Use the left/right arrow key to select between [Yes] or [No], then press <Enter> to confirm your choice.



For more details, refer to section **3.11.2 ASUS EZ Flash 3**.

### 3.9.2 Secure Erase

SSD speeds may lower over time as with any storage medium due to data processing. Secure Erase completely and safely cleans your SSD, restoring it to factory performance levels.



Secure Erase is only available in AHCI mode. Ensure to set the SATA mode to AHCI. Click **Advanced > PCH Storage Configuration > SATA Mode Selection > AHCI**.

To launch Secure Erase, click **Tool > Secure Erase** on the Advanced mode menu.



Check the ASUS support site for a full list of SSDs tested with Secure Erase. The drive may become unstable if you run Secure Erase on an incompatible SSD.



- The time to erase the contents of your SSD may take a while depending on its size. Do not turn off the system during the process.
- Secure Erase is only supported on Intel SATA port. For more information about Intel SATA ports, refer to section **1.1.2 Motherboard layout** of this manual.

Displays the available SSDs

| Item # | SSD Name         | Status | Total Capacity |
|--------|------------------|--------|----------------|
| P2     | ADATA 512G Turbo | Frozen | 54,008         |

SSD Secure Erase

SSD speed performance may degrade over time due to accumulated files and frequent data-writing. Secure Erase completely cleans your SSD and restores it to its factory settings.  
**WARNING:** Ensure that you run Secure Erase on a compatible SSD. Running Secure Erase on an incompatible SSD will render the SSD totally unusable.  
NOTE: For the list of Secure Erase-compatible SSDs, visit the ASUS Support site at [www.asus.com/support](http://www.asus.com/support).



---

**Status definition:**

- **Frozen.** The frozen state is the result of a BIOS protective measure. The BIOS guards drives that do not have password protection by freezing them prior to booting. If the drive is frozen, a power off or hard reset of your PC must be performed to proceed with the Secure Erase.
  - **Locked.** SSDs might be locked if the Secure Erase process is either incomplete or was stopped. This may be due to a third party software that uses a different password defined by ASUS. You have to unlock the SSD in the software before proceeding with Secure Erase.
- 

### 3.9.3 ASUS Overclocking Profile

This item allows you to store or load multiple BIOS settings.

#### Load Profile

This item allows you to load the previous BIOS settings saved in the BIOS Flash. Key in the profile number that saved your BIOS settings, press <Enter>, and then select **Yes**.



- DO NOT shut down or reset the system while updating the BIOS to prevent the system boot failure!
  - We recommend that you update the BIOS file only coming from the same memory/CPU configuration and BIOS version.
- 

#### Profile Name

This item allows you to key in a profile name.

#### Save to Profile

This item allows you to save the current BIOS settings to the BIOS Flash, and create a profile. Key in a profile number from one to eight, press <Enter>, and then select **Yes**.

#### Load/Save Profile from/to USB Drive

This item allows you to load or save profile from your USB drive, load and save profile to your USB drive.

### 3.9.4 ASUS SPD Information

This item allows you to view the DRAM SPD information.

### 3.9.5 Graphics Card Information

This item displays the information about the graphics card installed in your system.

#### GPU Post

This item displays the information and recommended configuration for the PCIE slots that the graphics card is installed in your system.





---

This feature is only supported on selected ASUS graphics cards.

---

## Bus Interface

This item allows you to select the bus interface.

Configuration options: [PCIEX16\_1] [PCIEX16\_2]

## 3.10 Exit menu

The Exit menu items allow you to load the optimal default values for the BIOS items, and save or discard your changes to the BIOS items. You can access the EZ Mode from the Exit menu.

### Load Optimized Defaults

This option allows you to load the default values for each of the parameters on the Setup menus. When you select this option or if you press <F5>, a confirmation window appears. Select **OK** to load the default values.

### Save Changes & Reset

Once you are finished making your selections, choose this option from the Exit menu to ensure the values you selected are saved. When you select this option or if you press <F10>, a confirmation window appears. Select **OK** to save changes and exit.

### Discard Changes and Exit

This option allows you to exit the Setup program without saving your changes. When you select this option or if you press <Esc>, a confirmation window appears. Select **Yes** to discard changes and exit.

### Launch EFI Shell from USB drives

This item allows you to attempt to launch the EFI Shell application (shellx64.efi) from one of the available filesystem devices.

## 3.11 Updating BIOS

The ASUS website publishes the latest BIOS versions to provide enhancements on system stability, compatibility, and performance. However, BIOS updating is potentially risky. If there is no problem using the current version of BIOS, DO NOT manually update the BIOS. Inappropriate BIOS updating may result to system's failure to boot. Carefully follow the instructions in this chapter to update your BIOS when necessary.



---

Visit <http://www.asus.com> to download the latest BIOS file for this motherboard.

---

The following utilities allow you to manage and update the motherboard BIOS setup program.

1. EZ Update: Updates the BIOS in Windows® environment.
2. ASUS EZ Flash 3: Updates the BIOS using a USB flash drive.
3. ASUS CrashFree BIOS 3: Restores the BIOS using the motherboard support DVD or a USB flash drive when the BIOS file fails or gets corrupted.

### 3.11.1 EZ Update

The EZ Update is a utility that allows you to update the motherboard BIOS in Windows® environment.



- EZ Update requires an Internet connection either through a network or an ISP (Internet Service Provider).
- This utility is available in the support DVD that comes with the motherboard package.

### 3.11.2 ASUS EZ Flash 3

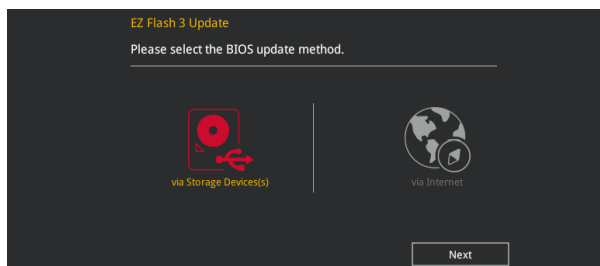
ASUS EZ Flash 3 allows you to download and update to the latest BIOS through the Internet without having to use a bootable floppy disk or an OS-based utility.



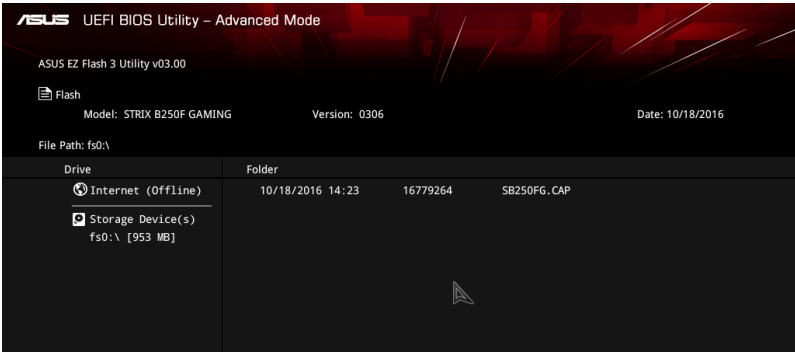
Updating through the Internet varies per region and Internet conditions. Check your local Internet connection before updating through the Internet.

#### To update the BIOS by USB:

1. Enter the Advanced Mode of the BIOS setup program. Go to the Tool menu to select **ASUS EZ Flash Utility** and press <Enter>.
2. Insert the USB flash disk that contains the latest BIOS file to the USB port.
3. Select **by USB**.



4. Press <Tab> to switch to the Drive field.
5. Press the Up/Down arrow keys to find the USB flash disk that contains the latest BIOS, and then press <Enter>.
6. Press <Tab> to switch to the Folder Info field.
7. Press the Up/Down arrow keys to find the BIOS file, and then press <Enter> to perform the BIOS update process. Reboot the system when the update process is done.



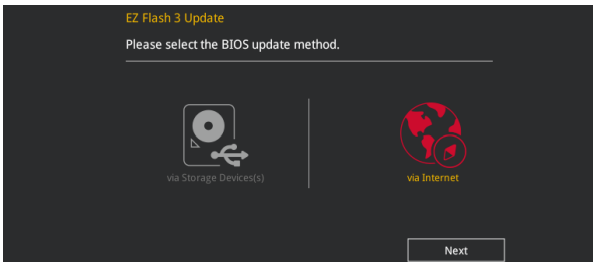
- This function can support devices such as a USB flash disk with FAT 32/16 format and single partition only.
- DO NOT shut down or reset the system while updating the BIOS to prevent system boot failure!



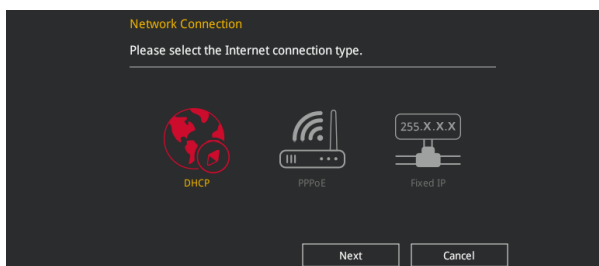
Ensure to load the BIOS default settings to ensure system compatibility and stability. Select the Load Optimized Defaults item under the Exit menu. See section **3.10 Exit Menu** for details.

### To update the BIOS by Internet:

1. Enter the Advanced Mode of the BIOS setup program. Go to the Tool menu to select **ASUS EZ Flash Utility** and press <Enter>.
2. Select **by Internet**.



3. Press the Left/Right arrow keys to select an Internet connection method, and then press <Enter>.



4. Follow the onscreen instructions to complete the update.
5. Reboot the system when the update process is done.



---

Ensure to load the BIOS default settings to ensure system compatibility and stability. Select the Load Optimized Defaults item under the Exit menu. See section 3.10 **Exit Menu** for details.

---

### 3.11.3 ASUS CrashFree BIOS 3

The ASUS CrashFree BIOS 3 utility is an auto recovery tool that allows you to restore the BIOS file when it fails or gets corrupted during the updating process. You can restore a corrupted BIOS file using the motherboard support DVD or a USB flash drive that contains the BIOS file.



---

The BIOS file in the motherboard support DVD may be older than the BIOS file published on the ASUS official website. If you want to use the newer BIOS file, download the file at <https://www.asus.com/support/> and save it to a USB flash drive.

---

## Recovering the BIOS

### To recover the BIOS:

1. Turn on the system.
2. Insert the motherboard support DVD to the optical drive, or the USB flash drive containing the BIOS file to the USB port.
3. The utility automatically checks the devices for the BIOS file. When found, the utility reads the BIOS file and enters ASUS EZ Flash 3 automatically.
4. The system requires you to enter BIOS Setup to recover the BIOS setting. To ensure system compatibility and stability, we recommend that you press <F5> to load default BIOS values.



---

**DO NOT** shut down or reset the system while updating the BIOS! Doing so can cause system boot failure!

---

# RAID Support

# 4

## 4.1 RAID configurations

The motherboard comes with the Intel® Rapid Storage Technology that supports RAID 0, RAID 1, RAID 5 and RAID 10 configuration.



---

If you want to install a Windows® operating system to a hard disk drive included in a RAID set, you have to create a RAID driver disk and load the RAID driver during OS installation. Refer to section **4.2 Creating a RAID driver disk** for details.

---

### 4.1.1 RAID definitions

**RAID 0 (Data striping)** optimizes two identical hard disk drives to read and write data in parallel, interleaved stacks. Two hard disks perform the same work as a single drive but at a sustained data transfer rate, double that of a single disk alone, thus improving data access and storage. Use of two new identical hard disk drives is required for this setup.

**RAID 1 (Data mirroring)** copies and maintains an identical image of data from one drive to a second drive. If one drive fails, the disk array management software directs all applications to the surviving drive as it contains a complete copy of the data in the other drive. This RAID configuration provides data protection and increases fault tolerance to the entire system. Use two new drives or use an existing drive and a new drive for this setup. The new drive must be of the same size or larger than the existing drive.

**RAID 5** stripes both data and parity information across three or more hard disk drives. Among the advantages of RAID 5 configuration include better HDD performance, fault tolerance, and higher storage capacity. The RAID 5 configuration is best suited for transaction processing, relational database applications, enterprise resource planning, and other business systems. Use a minimum of three identical hard disk drives for this setup.

**RAID 10** is data striping and data mirroring combined without parity (redundancy data) having to be calculated and written. With the RAID 10 configuration you get all the benefits of both RAID 0 and RAID 1 configurations. Use four new hard disk drives or use an existing drive and three new drives for this setup.

## 4.1.2 Installing Serial ATA hard disks

The motherboard supports Serial ATA hard disk drives. For optimal performance, install identical drives of the same model and capacity when creating a disk array.

### To install the SATA hard disks for a RAID configuration:

1. Install the SATA hard disks into the drive bays.
2. Connect the SATA signal cables.
3. Connect a SATA power cable to the power connector on each drive.

## 4.1.3 Intel® Rapid Storage Technology in UEFI BIOS

To enter the Intel® Rapid Storage Technology in UEFI BIOS:

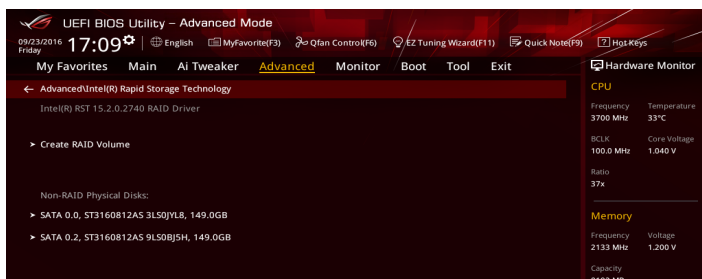
1. Enter the BIOS Setup during POST.
2. Go to the **Advanced** menu > **PCH Storage Configuration**, then press <Enter>.
3. Set the SATA Controller Mode Selection item to **[Intel RST Premium With Intel Optane System Acceleration (RAID)]**.
4. Go to the **Boot** menu > **CSM (Compatibility Support Module)** > **Launch CSM**, then set the item to **[Disabled]**.
5. Save your changes and exit the BIOS Setup, then enter the BIOS Setup again.
6. Go to the **Advanced** menu > **Intel(R) Rapid Storage Technology**, then press <Enter> to display the Intel® Rapid Storage Technology menu.



Refer to Chapter 3 for details on entering and navigating through the BIOS Setup



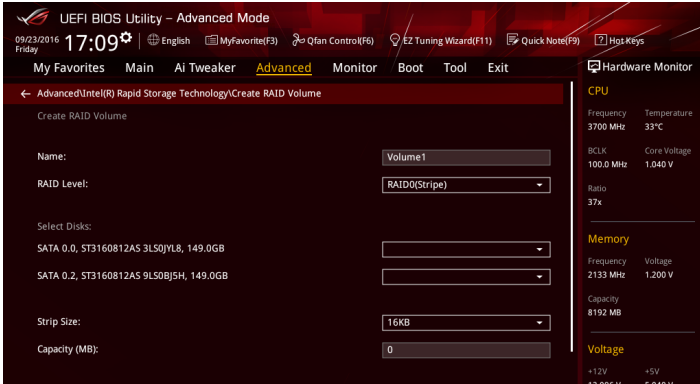
Due to chipset limitation, when SATA ports are set to RAID mode, all SATA ports run at RAID mode together.



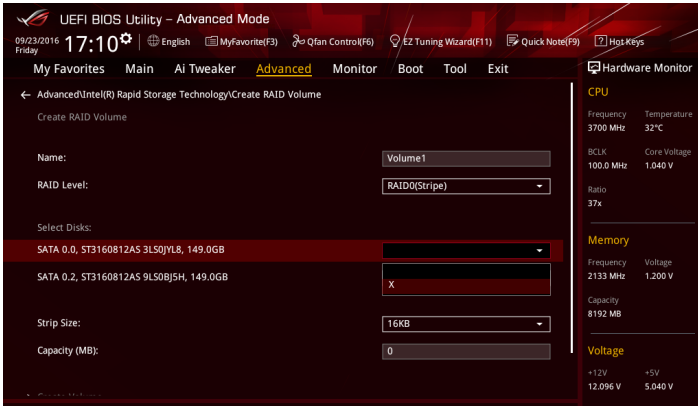
## Creating a RAID set

To create a RAID set:

1. From the Intel® Rapid Storage Technology menu, select **Create RAID Volume** and press <Enter>. The following screen appears:



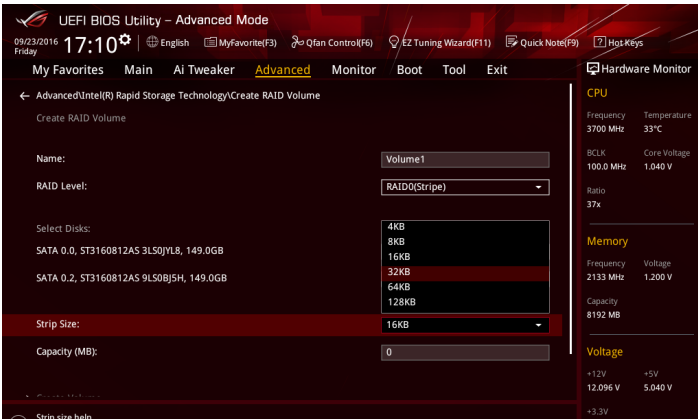
2. When the Name item is selected, enter a name for the RAID set and press <Enter>.
3. When the RAID Level item is selected, press <Enter> to select the RAID level to create, and then press <Enter>.
4. Under Select Disks, press <Enter> and select **X** for the disks you want to include in the RAID set.



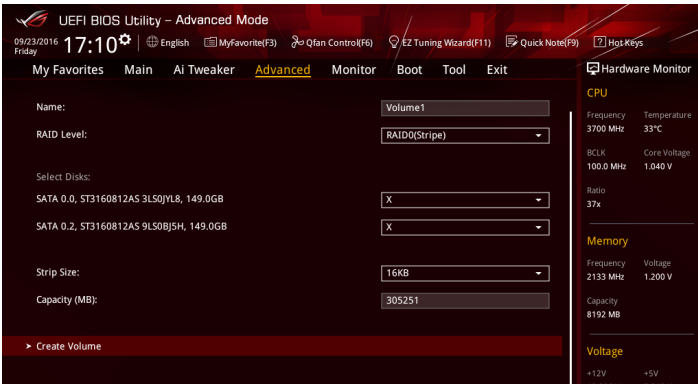
5. When the Strip Size item is selected, press <Enter> to select strip size for the RAID array (for RAID 0, 10 and 5 only), and then press <Enter>. The available strip size values range from 4 KB to 128 KB. The following are typical values:
  - RAID 0: 128 KB
  - RAID 10: 64 KB
  - RAID 5: 64 KB



We recommend a lower strip size for server systems, and a higher strip size for multimedia computer systems used mainly for audio and video editing.



6. When the **Capacity (MB)** item is selected, enter the RAID volume capacity that you want and press <Enter>. The default value indicates the maximum allowed capacity.
7. When the **Create Volume** item is selected, press <Enter> to create the RAID volume and return to the Intel® Rapid Storage Technology menu.





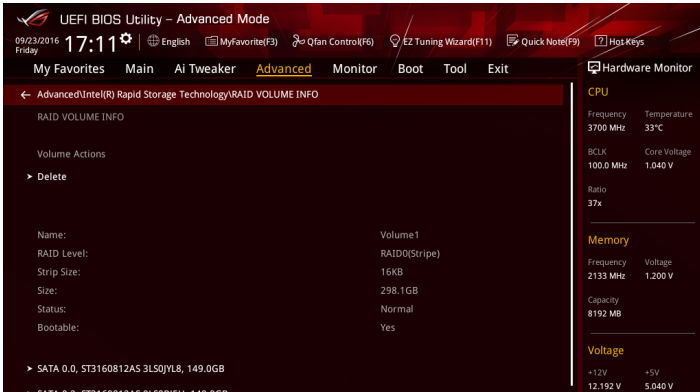
## Deleting a RAID set



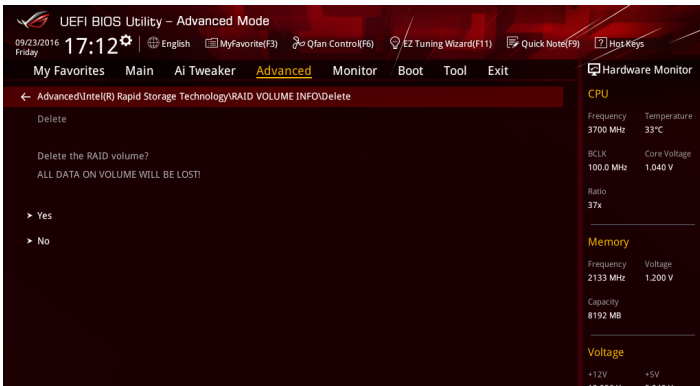
Be cautious when deleting a RAID set. You will lose all data on the hard disk drives when you delete a RAID set.

To delete a RAID set:

1. From the Intel® Rapid Storage Technology menu, select the RAID volume you want to delete and press <Enter>. The following screen appears:



2. When the **Delete** item is selected, press <Enter>, then select **Yes** to delete the RAID volume and return to the Intel® Rapid Storage Technology menu, or select **No** to cancel.



## 4.1.4 Intel® Rapid Storage Technology Option ROM utility

To enter the Intel® Rapid Storage Technology Option ROM utility:

1. Turn on the system.
2. During POST, press <Ctrl> + <I> to display the utility main menu.

```
Intel(R) Rapid Storage Technology - Option - v10.5.1.1070
Copyright(C) 2003-14 Intel Corporation. All Rights Reserved.

[ MAIN MENU ]

1. Create RAID Volume          4. Recovery Volume Options
2. Delete RAID Volume         5. Acceleration Options
3. Reset Disks to Non-RAID    6. Exit

[ DISK/VOLUME INFORMATION ]

RAID Volumes:
None defined.

Physical Devices:
Port  Device Model  Serial #      Size      Type/Status(Vol ID)
0     ST3160812AS     9LS0HJA4     149.0GB  Non-RAID Disk
1     ST3160812AS     9LS0F4HL     149.0GB  Non-RAID Disk
2     ST3160812AS     3LS0JYL8     149.0GB  Non-RAID Disk
3     ST3160812AS     9LS0BJ5H     149.0GB  Non-RAID Disk

[↑↓]-Select      [ESC]-Exit      [ENTER]-Select Menu
```

The navigation keys at the bottom of the screen allow you to move through the menus and select the menu options.



The RAID BIOS setup screens shown in this section are for reference only and may not exactly match the items on your screen.

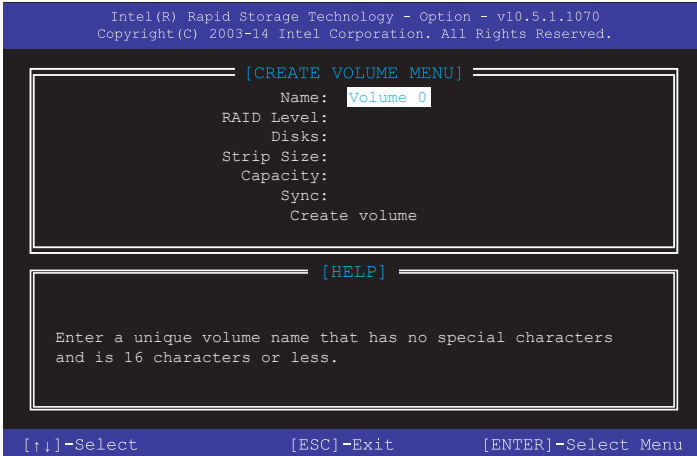


The utility supports maximum four hard disk drives for RAID configuration.

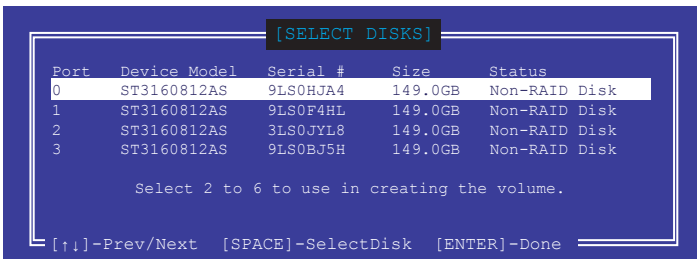
## Creating a RAID set

### To create a RAID set:

1. From the utility main menu, select **1. Create RAID Volume** and press <Enter>. The following screen appears:



2. Enter a name for the RAID set and press <Enter>.
3. When the RAID Level item is selected, press the up/down arrow key to select a RAID level to create, and then press <Enter>.
4. When the Disks item is selected, press <Enter> to select the hard disk drives you want to include in the RAID set. The SELECT DISKS screen appears:



5. Use the up/down arrow key to select a drive, and then press <Space> to select. A small triangle marks the selected drive. Press <Enter> after completing your selection.
6. Use the up/down arrow key to select the strip size for the RAID array (for RAID 0, 10 and 5 only), and then press <Enter>. The available strip size values range from 4KB to 128KB. The following are typical values:
  - RAID 0: 128KB
  - RAID 10: 64KB
  - RAID 5: 64KB



---

We recommend a lower strip size for server systems, and a higher strip size for multimedia computer systems used mainly for audio and video editing.

---

7. When the **Capacity** item is selected, enter the RAID volume capacity that you want and press <Enter>. The default value indicates the maximum allowed capacity.
8. When the **Create Volume** item is selected, press <Enter>. The following warning message appears:

**WARNING: ALL DATA ON SELECTED DISKS WILL BE LOST.**  
Are you sure you want to create this volume? (Y/N)

9. Press <Y> to create the RAID volume and return to the main menu, or <N> to go back to the CREATE VOLUME menu.

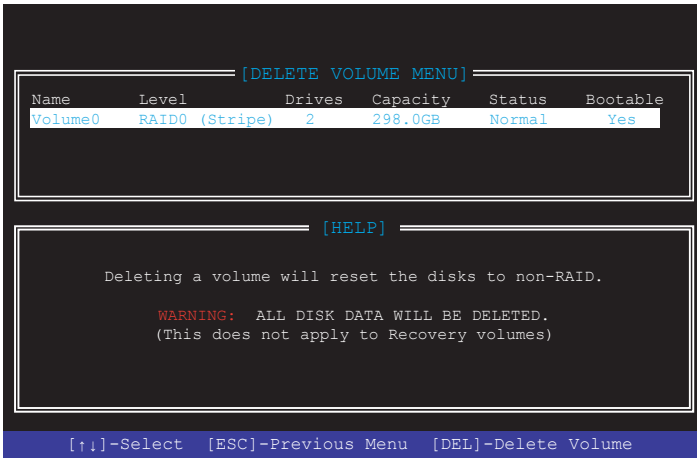
## Deleting a RAID set



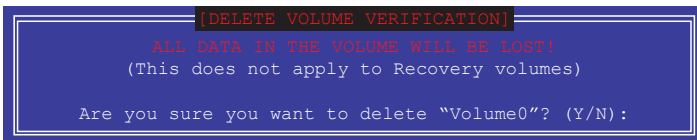
Be cautious when deleting a RAID set. You will lose all data on the hard disk drives when you delete a RAID set.

To delete a RAID set:

1. From the utility main menu, select **2. Delete RAID Volume** and press <Enter>. The following screen appears:



2. Use the up/down arrow key to select the RAID set you want to delete, and then press <Delete>. The following warning message appears:

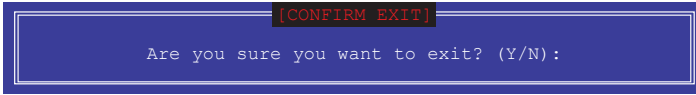


3. Press <Y> to delete the RAID set and return to the utility main menu, or press <N> to return to the DELETE VOLUME menu.

## Exiting the Intel® Rapid Storage Technology Option ROM utility

### To exit the utility:

1. From the utility main menu, select **5. Exit**, and then press <Enter>. The following warning message appears:



2. Press <Y> to exit or press <N> to return to the utility main menu.

## 4.2 Creating a RAID driver disk

### 4.2.1 Creating a RAID driver disk in Windows®

#### To install the RAID driver for Windows® OS:

1. During the OS installation, click **Load Driver** to allow you to select the installation media containing the RAID driver.
2. Insert the support USB drive with RAID driver into the USB port, and then click **Browse**.
3. Click the name of the device you've inserted, go to **Drivers > RAID**, and then select the RAID driver for the corresponding OS version. Click **OK**.
4. Follow the succeeding screen instructions to complete the installation.



---

To set up a Windows® UEFI operating system under RAID mode, ensure to load the UEFI driver for your optical drive.

---

# Appendix

## Notices

### Federal Communications Commission Statement

This device complies with Part 15 of the FCC Rules. Operation is subject to the following two conditions:

- This device may not cause harmful interference.
- This device must accept any interference received including interference that may cause undesired operation.

This equipment has been tested and found to comply with the limits for a Class B digital device, pursuant to Part 15 of the FCC Rules. These limits are designed to provide reasonable protection against harmful interference in a residential installation. This equipment generates, uses and can radiate radio frequency energy and, if not installed and used in accordance with manufacturer's instructions, may cause harmful interference to radio communications. However, there is no guarantee that interference will not occur in a particular installation. If this equipment does cause harmful interference to radio or television reception, which can be determined by turning the equipment off and on, the user is encouraged to try to correct the interference by one or more of the following measures:

- Reorient or relocate the receiving antenna.
- Increase the separation between the equipment and receiver.
- Connect the equipment to an outlet on a circuit different from that to which the receiver is connected.
- Consult the dealer or an experienced radio/TV technician for help.



---

The use of shielded cables for connection of the monitor to the graphics card is required to assure compliance with FCC regulations. Changes or modifications to this unit not expressly approved by the party responsible for compliance could void the user's authority to operate this equipment.

---

## IC: Canadian Compliance Statement

Complies with the Canadian ICES-003 Class B specifications. This device complies with RSS 210 of Industry Canada. This Class B device meets all the requirements of the Canadian interference-causing equipment regulations.

This device complies with Industry Canada license exempt RSS standard(s). Operation is subject to the following two conditions: (1) this device may not cause interference, and (2) this device must accept any interference, including interference that may cause undesired operation of the device.

Cet appareil numérique de la Classe B est conforme à la norme NMB-003 du Canada. Cet appareil numérique de la Classe B respecte toutes les exigences du Règlement sur le matériel brouilleur du Canada.

Cet appareil est conforme aux normes CNR exemptes de licence d'Industrie Canada. Le fonctionnement est soumis aux deux conditions suivantes :

- (1) cet appareil ne doit pas provoquer d'interférences et
- (2) cet appareil doit accepter toute interférence, y compris celles susceptibles de provoquer un fonctionnement non souhaité de l'appareil.

## Canadian Department of Communications Statement

This digital apparatus does not exceed the Class B limits for radio noise emissions from digital apparatus set out in the Radio Interference Regulations of the Canadian Department of Communications.

This class B digital apparatus complies with Canadian ICES-003.

## VCCI: Japan Compliance Statement

### Class B ITE

この装置は、クラスB情報技術装置です。この装置は、家庭環境で使用することを目的としていますが、この装置がラジオやテレビジョン受信機に近接して使用されると、受信障害を引き起こすことがあります。

取扱説明書に従って正しい取り扱いをして下さい。

VCCI-B

## KC: Korea Warning Statement

**B급 기기 (가정용 방송통신기자재)**

이 기기는 가정용(B급) 전자파적합기기로서 주로 가정에서 사용하는 것을 목적으로 하며, 모든 지역에서 사용할 수 있습니다.



## REACH

Complying with the REACH (Registration, Evaluation, Authorisation, and Restriction of Chemicals) regulatory framework, we published the chemical substances in our products at ASUS REACH website at <http://csr.asus.com/english/REACH.htm>.



DO NOT throw the motherboard in municipal waste. This product has been designed to enable proper reuse of parts and recycling. This symbol of the crossed out wheeled bin indicates that the product (electrical and electronic equipment) should not be placed in municipal waste. Check local regulations for disposal of electronic products.



DO NOT throw the mercury-containing button cell battery in municipal waste. This symbol of the crossed out wheeled bin indicates that the battery should not be placed in municipal waste.

## ASUS Recycling/Takeback Services

ASUS recycling and takeback programs come from our commitment to the highest standards for protecting our environment. We believe in providing solutions for you to be able to responsibly recycle our products, batteries, other components as well as the packaging materials. Please go to <http://csr.asus.com/english/Takeback.htm> for detailed recycling information in different regions.

## Regional notice for California

**WARNING!** This product may contain chemicals known to the State of California to cause cancer, birth defects or other reproductive harm. Wash hands after handling.

## RF Equipment Notices

### CE: European Community Compliance Statement

The equipment complies with the RF Exposure Requirement 1999/519/EC, Council Recommendation of 12 July 1999 on the limitation of exposure of the general public to electromagnetic fields (0–300 GHz). This wireless device complies with the R&TTE Directive.

### Wireless Radio Use

This device is restricted to indoor use when operating in the 5.15 to 5.25 GHz frequency band.

### Exposure to Radio Frequency Energy

The radiated output power of the Wi-Fi technology is below the FCC radio frequency exposure limits. Nevertheless, it is advised to use the wireless equipment in such a manner that the potential for human contact during normal operation is minimized.

## FCC Bluetooth Wireless Compliance

The antenna used with this transmitter must not be co-located or operated in conjunction with any other antenna or transmitter subject to the conditions of the FCC Grant.

## Bluetooth Industry Canada Statement

This Class B device meets all requirements of the Canadian interference-causing equipment regulations.

Cet appareil numérique de la Class B respecte toutes les exigences du Règlement sur le matériel brouilleur du Canada.

## NCC: Taiwan Wireless Statement

### 無線設備の警告聲明

經型式認證合格之低功率射頻電機，非經許可，公司、商號或使用者均不得擅自變更射頻、加大功率或變更原設計之特性及功能。低功率射頻電機之使用不得影響飛航安全及干擾合法通信；經發現有干擾現象時，應立即停用，並改善至無干擾時方得繼續使用。前項合法通信指依電信法規定作業之無線通信。低功率射頻電機須忍受合法通信或工業、科學及醫療用電波輻射性電機設備之干擾。

於 5.25GHz 至 5.35GHz 區域內操作之  
無線設備的警告聲明

工作頻率 5.250 ~ 5.350GHz 該頻段限於室內使用。

## Japan RF Equipment Statement

### 屋外での使用について

本製品は、5GHz帯域での通信に対応しています。電波法の定めにより5.2GHz、5.3GHz帯域の電波は屋外で使用が禁じられています。

### 法律および規制遵守

本製品は電波法及びこれに基づく命令の定めるところに従い使用してください。日本国外では、その国の法律または規制により、本製品の使用ができないことがあります。このような国では、本製品を運用した結果、罰せられることがあります。当社は一切責任を負いかねますのでご了承ください。

## Google™ License Terms

Copyright© 2016 Google Inc. All Rights Reserved.

Licensed under the Apache License, Version 2.0 (the "License"); you may not use this file except in compliance with the License. You may obtain a copy of the License at:

<http://www.apache.org/licenses/LICENSE-2.0>

Unless required by applicable law or agreed to in writing, software distributed under the License is distributed on an "AS IS" BASIS, WITHOUT WARRANTIES OR CONDITIONS OF ANY KIND, either express or implied.

See the License for the specific language governing permissions and limitations under the License.

**English** ASUSTeK Computer Inc. hereby declares that this device is in compliance with the essential requirements and other relevant provisions of related Directives. Full text of EU declaration of conformity is available at: [www.asus.com/support](http://www.asus.com/support)

**Français** ASUSTeK Computer Inc. déclare par la présente que cet appareil est conforme aux critères essentiels et autres clauses pertinentes des directives concernées. La déclaration de conformité de l'UE peut être téléchargée à partir du site Internet suivant : [www.asus.com/support](http://www.asus.com/support)

**Deutsch** ASUSTeK Computer Inc. erklärt hiermit, dass dieses Gerät mit den wesentlichen Anforderungen und anderen relevanten Bestimmungen der zugehörigen Richtlinien übereinstimmt. Der gesamte Text der EU-Konformitätserklärung ist verfügbar unter: [www.asus.com/support](http://www.asus.com/support)

**Italiano** ASUSTeK Computer Inc. con la presente dichiara che questo dispositivo è conforme ai requisiti essenziali e alle altre disposizioni pertinenti con le direttive correlate. Il testo completo della dichiarazione di conformità UE è disponibile all'indirizzo: [www.asus.com/support](http://www.asus.com/support)

**Русский** Компания ASUS заявляет, что это устройство соответствует основным требованиям и другим соответствующим условиям соответствующих директив. Подробную информацию, пожалуйста, смотрите на [www.asus.com/support](http://www.asus.com/support)

**Български** С настоящото ASUSTeK Computer Inc. декларира, че това устройство е в съответствие със съществени изисквания и другите приложими постановления на свързаните директиви. Пълният текст на декларацията за съответствие на ЕС е достъпна на адрес: [www.asus.com/support](http://www.asus.com/support)

**Hrvatski** ASUSTeK Computer Inc. ovim izjavljuje da je ovaj uređaj sukladan s bitnim zahtjevima i ostalim odgovarajućim odredbama vezanih direktiva. Cijeli tekst EU izjave o sukladnosti dostupan je na: [www.asus.com/support](http://www.asus.com/support)

**Čeština** Společnost ASUSTEK Computer Inc. tímto prohlašuje, že toto zařízení splňuje základní požadavky a další příslušná ustanovení souvisejících směrnic. Plné znění prohlášení o shodě EU je k dispozici na adrese: [www.asus.com/support](http://www.asus.com/support)

**Dansk** ASUSTeK Computer Inc. erklærer hermed, at denne enhed er i overensstemmelse med hovedkravene og andre relevante bestemmelser i de relaterede direktiver. Hele EU-overensstemmelseserklæringen kan findes på: [www.asus.com/support](http://www.asus.com/support)

**Nederlands** ASUSTeK Computer Inc. verklaart hierbij dat dit apparaat voldoet aan de essentiële vereisten en andere relevante bepalingen van de verwante richtlijnen. De volledige tekst van de EU-verklaring van conformiteit is beschikbaar op: [www.asus.com/support](http://www.asus.com/support)

**Eesti** Käesolevaga kinnitab ASUSTEK Computer Inc, et see seade vastab asjakohaste direktiivide olulistele nõuetele ja teistele asjassepuutuvatele sätetele. EL vastavusdeklaratsiooni täielik tekst on saadaval järgmisel aadressil: [www.asus.com/support](http://www.asus.com/support)

**Suomi** ASUSTeK Computer Inc. ilmoittaa täten, että tämä laite on asiaankuuluvien direktiivien olennaisten vaatimusten ja muiden tätä koskevien säädösten mukainen. EU-yhdenmukaisuusilmoituksen koko teksti on luettavissa osoitteessa: [www.asus.com/support](http://www.asus.com/support)

**Ελληνικά** Με το παρόν, η ASUSTEK Computer Inc. δηλώνει ότι αυτή η συσκευή συμμορφώνεται με τις θεμελιώδεις απαιτήσεις και άλλες σχετικές διατάξεις των Οδηγίων της ΕΕ. Το πλήρες κείμενο της δήλωσης συμμόρφωσης είναι διαθέσιμο στη διεύθυνση: [www.asus.com/support](http://www.asus.com/support)

**Magyar** Az ASUSTeK Computer Inc. ezennel kijelenti, hogy ez az eszköz megfelel a kapcsolódó irányelvek lényeges követelményeinek és egyéb vonatkozó rendelkezéseinek. Az EU megfeleléségi nyilatkozat teljes szövege innen letölthető: [www.asus.com/support](http://www.asus.com/support)

**Latviski** ASUSTeK Computer Inc. ar šo paziņo, ka šī ierīce atbilst saistīto Direktīvu būtiskajām prasībām un citiem citiem saistošajiem nosacījumiem. Pilns ES atbilstības paziņojuma teksts pieejams šeit: [www.asus.com/support](http://www.asus.com/support)

**Lietuvių** „ASUSTEK Computer Inc.“ šiuo tvirtina, kad šis įrenginys atitinka pagrindinius reikalavimus ir kitas svarbias susijusių direktyvų nuostatas. Visą ES atitikties deklaracijos tekstą galima rasti: [www.asus.com/support](http://www.asus.com/support)

**Norsk** ASUSTeK Computer Inc. erklærer herved at denne enheten er i samsvar med hovedsaklige krav og andre relevante forskrifter i relaterte direktiver. Fullstendig tekst for EU-samsvarserklæringen finnes på: [www.asus.com/support](http://www.asus.com/support)

**Polski** Firma ASUSTEK Computer Inc. niniejszym oświadcza, że urządzenie to jest zgodne z zasadniczymi wymogami i innymi właściwymi postanowieniami powiązanych dyrektyw. Pełny tekst deklaracji zgodności UE jest dostępny pod adresem: [www.asus.com/support](http://www.asus.com/support)

**Português** A ASUSTEK Computer Inc. declara que este dispositivo está em conformidade com os requisitos essenciais e outras disposições relevantes das Diretivas relacionadas. Texto integral da declaração da UE disponível em: [www.asus.com/support](http://www.asus.com/support)

**Română** ASUSTeK Computer Inc. declară că acest dispozitiv se conformează cerințelor esențiale și altor prevederi relevante ale directivelor conexe. Textul complet al declarației de conformitate a Uniunii Europene se găsește la: [www.asus.com/support](http://www.asus.com/support)

**Srpski** ASUSTeK Computer Inc. ovim izjavljuje da je ovaj uređaj u saglasnosti sa osnovnim zahtevima i drugim relevantnim odredbama povezanih Direktiva. Pun tekst EU deklaracije o usaglasnosti je dostupan da adresi: [www.asus.com/support](http://www.asus.com/support)

**Slovensky** Spoločnosť ASUSTEK Computer Inc. týmto vyhlasuje, že toto zariadenie vyhovuje základným požiadavkám a ostatým príslušným ustanoveniam príslušných smerníc. Celý text vyhlásenia o zhode pre štáty EÚ je dostupný na adrese: [www.asus.com/support](http://www.asus.com/support)

**Slovenščina** ASUSTEK Computer Inc. izjavlja, da je ta naprava skladna z bistvenimi zahtevami in drugimi ustreznimi določbami povezanih direktiv. Celotno besedilo EU-izjave o skladnosti je na voljo na spletnem mestu: [www.asus.com/support](http://www.asus.com/support)

**Español** Por la presente, ASUSTeK Computer Inc. declara que este dispositivo cumple los requisitos básicos y otras disposiciones pertinentes de las directivas relacionadas. El texto completo de la declaración de la UE de conformidad está disponible en: [www.asus.com/support](http://www.asus.com/support)

**Svenska** ASUSTeK Computer Inc. förklarar härmed att denna enhet överensstämmer med de grundläggande kraven och andra relevanta föreskrifter i relaterade direktiv. Fulltext av EU-försäkran om överensstämmelse finns på: [www.asus.com/support](http://www.asus.com/support)

**Українська** ASUSTEK Computer Inc. заявляє, що цей пристрій відповідає основним вимогам та іншим відповідним положенням відповідних Директив. Повний текст декларації відповідності стандартам ЄС доступний на: [www.asus.com/support](http://www.asus.com/support)

**Türkçe** ASUSTEK Computer Inc., bu aygıtın temel gereksinimlerle ve ilişkili Yönergeleerin diğer ilgili koşullarına uyumlu olduğunu beyan eder. AB uygunluk bildirimini tam metni şu adreste bulabilirsiniz: [www.asus.com/support](http://www.asus.com/support)

**Bosanski** ASUSTEK Computer Inc. ovim izjavljuje da je ovaj uređaj sukladan sa bitnim zahtjevima i ostalim odgovarajućim odredbama vezanih direktiva. Cijeli tekst EU izjave o uskladenosti dostupan je na: [www.asus.com/support](http://www.asus.com/support)

## ASUS contact information

### ASUSTeK COMPUTER INC.

Address 4F, No. 150, Li-Te Road, Peitou, Taipei 112, Taiwan  
Telephone +886-2-2894-3447  
Fax +886-2-2890-7798  
Web site [www.asus.com](http://www.asus.com)

#### *Technical Support*

Telephone +86-21-38429911  
Fax +86-21-5866-8722, ext. 9101#  
Online support <http://qr.asus.com/techserv>

### ASUS COMPUTER INTERNATIONAL (America)

Address 800 Corporate Way, Fremont, CA 94539, USA  
Telephone +1-510-739-3777  
Fax +1-510-608-4555  
Web site <http://www.asus.com/us/>

#### *Technical Support*

Support fax +1-812-284-0883  
Telephone +1-812-282-2787  
Online support <http://qr.asus.com/techserv>

### ASUS COMPUTER GmbH (Germany and Austria)

Address Harkort Str. 21-23, 40880 Ratingen, Germany  
Fax +49-2102-959931  
Web site <http://www.asus.com/de>  
Online contact <http://eu-rma.asus.com/sales>

#### *Technical Support*

Telephone +49-2102-5789555  
Support Fax +49-2102-959911  
Online support <http://qr.asus.com/techserv>



**DECLARATION UE DE CONFORMITE**  
IN SEARCH OF INCREDIBLE

**Nous, soussignés**

|                                  |   |
|----------------------------------|---|
| Fabricant:                       | ASUSTEK COMPUTER INC.                         |
| Adresse:                         | 5000 TOUPELOU, TAIPEI 112, TAIWAN             |
| Représentant autorisé en Europe: | ASUSTEK COMPUTER GmbH                         |
| Adresse, Ville:                  | HARKORT STR. 21-23, 40860 RATINGEN<br>GERMANY |
| Pays:                            | GERMANY                                       |

**Déclarons l'appareil suivant:**

|                 |                    |
|-----------------|--------------------|
| Nom du produit: | Motherboard        |
| Nom du modèle:  | STRIX Z270I GAMING |

L'objet de la déclaration ci-dessus est conforme avec la législation harmonisée de l'Union applicable

**Directive CEM 2014/53/UE (mise en vigueur le 19 avril 2016) et la directive 2014/52/UE (à partir du 20 avril 2016)**

|   |   |
|---|---|
| <input checked="" type="checkbox"/> EN 55022:2007/A2:2013         | <input checked="" type="checkbox"/> EN 55024:2010                 |
| <input checked="" type="checkbox"/> EN 55025:2007/A2:2013         | <input checked="" type="checkbox"/> EN 61000-3-2:2013             |
| <input checked="" type="checkbox"/> EN 55015:2007/A1:2003/A2:2008 | <input checked="" type="checkbox"/> EN 55015:2007/A1:2003/A2:2008 |

**Directive EMI 1989/CEC**

|   |   |
|---|---|
| <input checked="" type="checkbox"/> EN 300 228 V1.9 (2007-02)   | <input checked="" type="checkbox"/> EN 301 488-1 V1.2 (2007-09) |
| <input checked="" type="checkbox"/> EN 300 440-2 V1.4 (2010-08) | <input checked="" type="checkbox"/> EN 301 488-4 V2.1 (2013-12) |
| <input checked="" type="checkbox"/> EN 300 510 V1.2 (2007-03)   | <input checked="" type="checkbox"/> EN 301 488-5 V1.3 (2009-11) |
| <input checked="" type="checkbox"/> EN 301 908-1 V6.2 (2013-10) | <input checked="" type="checkbox"/> EN 301 488-6 V1.3 (2009-11) |
| <input checked="" type="checkbox"/> EN 301 908-3 V6.2 (2013-10) | <input checked="" type="checkbox"/> EN 301 488-7 V2.2 (2012-09) |
| <input checked="" type="checkbox"/> EN 301 903 V1.8 (2010-03)   | <input checked="" type="checkbox"/> EN 301 488-8 V1.4 (2008-01) |
| <input checked="" type="checkbox"/> EN 300 330-2 V1.1 (2010-02) | <input checked="" type="checkbox"/> EN 301 352 V1.4 (2008-07)   |
| <input checked="" type="checkbox"/> EN 60974:2007               | <input checked="" type="checkbox"/> EN 300 291-2 V1.1 (2006-07) |
| <input checked="" type="checkbox"/> EN 62311:2008               | <input checked="" type="checkbox"/> EN 50568:2013/A2:2014       |
| <input checked="" type="checkbox"/> EN 60950-1:2006/A2:2013     | <input checked="" type="checkbox"/> EN 50568:2013/A2:2014       |
| <input checked="" type="checkbox"/> EN 60950-1:2006/A2:2013     | <input checked="" type="checkbox"/> EN 50568:2013/A2:2014       |

**Directive LVD 2006/95/CE (mise en vigueur le 13 avril 2016) et la directive 2014/35/UE (à partir du 20 avril 2016)**

|   |   |
|---|---|
| <input checked="" type="checkbox"/> EN 60950-1:2006/A2:2013 | <input type="checkbox"/> EN 60950-2:2007/A12:2011 |
| <input checked="" type="checkbox"/> EN 60950-1:2006/A2:2013 | <input type="checkbox"/> EN 60950-2:2007/A12:2011 |

**Directive écoconception 2009/12/CE**


|  |  |
|--|--|
| <input type="checkbox"/> Regulation (CE) No. 1275/2008 | <input type="checkbox"/> Regulation (CE) No. 2782/2009 |
| <input type="checkbox"/> Regulation (CE) No. 642/2009  | <input type="checkbox"/> Regulation (UE) No. 617/2013  |

**Directive RoHS 2011/65/UE**

**Marquage CE**

**Équipement de classe 2**

Ver: 1002/7



(Marquage UE de conformité)

|            |   |
|------------|---|
| Signature  | Taipei, Taiwan                                |
| Jerry Shen | Lieu de délivrance                            |
|            | 24/11/2016                                    |
|            | Date d'émission                               |
| CEO        | 2016  |
| Position   | Année ou commence l'apposition du marquage CE |

**UE Declaración de Conformidad**  
IN SEARCH OF INCREDIBLE

**Nosotros, los abajo firmantes,**

|                                     |  |
|-------------------------------------|--|
| Fabricante:                         | ASUSTEK COMPUTER INC.                            |
| Dirección:                          | 4F No. 150, LITE RD., PEITOU, TAIPEI 112, TAIWAN |
| Representante autorizado en Europa: | ASUSTEK COMPUTER GmbH                            |
| Adresse, Ville:                     | HARKORT STR. 21-23, 40860 RATINGEN<br>GERMANY    |
| Pays:                               | GERMANY  |

**Declaramos el siguiente producto:**

|                     |                    |
|---------------------|--------------------|
| Nombre del aparato: | Motherboard        |
| Nombre del modelo:  | STRIX Z270I GAMING |

El objeto de la declaración descrita anteriormente es conforme con la legislación de armonización pertinente de la Unión:

**EMC Directiva 2014/53/UE (desde el 19 de abril 2016) y Directiva 2014/52/UE (desde el 20 de abril 2016)**

|   |   |
|---|---|
| <input checked="" type="checkbox"/> EN 55022:2007/A2:2013         | <input checked="" type="checkbox"/> EN 55024:2010                 |
| <input checked="" type="checkbox"/> EN 55025:2007/A2:2013         | <input checked="" type="checkbox"/> EN 61000-3-2:2013             |
| <input checked="" type="checkbox"/> EN 55015:2007/A1:2003/A2:2008 | <input checked="" type="checkbox"/> EN 55015:2007/A1:2003/A2:2008 |

**EMC - DIRECTIVA 1989/CEE**

|   |  |
|---|--|
| <input checked="" type="checkbox"/> EN 300 228 V1.9 (2007-02)   | <input checked="" type="checkbox"/> EN 301 488-1 V1.2 (2007-09)    |
| <input checked="" type="checkbox"/> EN 300 440-2 V1.4 (2010-08) | <input checked="" type="checkbox"/> EN 301 488-3 V1.5 (2010-03-12) |
| <input checked="" type="checkbox"/> EN 300 510 V1.2 (2007-03)   | <input checked="" type="checkbox"/> EN 301 488-4 V2.1 (2013-12)    |
| <input checked="" type="checkbox"/> EN 301 908-1 V6.2 (2013-10) | <input checked="" type="checkbox"/> EN 301 488-5 V1.3 (2009-11)    |
| <input checked="" type="checkbox"/> EN 301 908-3 V6.2 (2013-10) | <input checked="" type="checkbox"/> EN 301 488-6 V1.3 (2009-11)    |
| <input checked="" type="checkbox"/> EN 301 903 V1.8 (2010-03)   | <input checked="" type="checkbox"/> EN 301 488-7 V2.2 (2012-09)    |
| <input checked="" type="checkbox"/> EN 300 330-2 V1.1 (2010-02) | <input checked="" type="checkbox"/> EN 301 488-8 V1.4 (2008-01)    |
| <input checked="" type="checkbox"/> EN 60974:2007               | <input checked="" type="checkbox"/> EN 301 352 V1.4 (2008-07)      |
| <input checked="" type="checkbox"/> EN 62311:2008               | <input checked="" type="checkbox"/> EN 300 291-2 V1.1 (2006-07)    |
| <input checked="" type="checkbox"/> EN 60950-1:2006/A2:2013     | <input checked="" type="checkbox"/> EN 50568:2013/A2:2014          |
| <input checked="" type="checkbox"/> EN 60950-1:2006/A2:2013     | <input checked="" type="checkbox"/> EN 50568:2013/A2:2014          |

**LVD Directiva 2006/95/CE (desde el 19 de abril 2016) y Directiva 2014/35/UE (desde el 20 de abril 2016)**

|  |   |
|--|---|
| <input checked="" type="checkbox"/> EN 60950-1:2006/A12:2011 | <input type="checkbox"/> EN 60950-2:2007/A12:2011 |
| <input checked="" type="checkbox"/> EN 60950-1:2006/A12:2011 | <input type="checkbox"/> EN 60950-2:2007/A12:2011 |

**Directiva Ecoconception - Directiva 2009/12/CE**


|  |  |
|--|--|
| <input type="checkbox"/> Regulation (CE) No. 1275/2008 | <input type="checkbox"/> Regulation (CE) No. 2782/2009 |
| <input type="checkbox"/> Regulation (CE) No. 642/2009  | <input type="checkbox"/> Regulation (EU) No. 617/2013  |

**RoHS - Directiva 2011/65/UE**

**Marquado CE**

**Clase de ruido 2**

Ver: 1002/7



(Marquado CE de conformidad)

|            |  |
|------------|--|
| Firma      | Taipei, Taiwan                                     |
| Jerry Shen | Lugar de emisión                                   |
|            | 24/11/2016   |
|            | Fecha de emisión                                   |
| CEO        | 2016   |
| Posición   | Año en que se colocó el marcado CE por primera vez |

**DECLARATION OF CONFORMITY**

Per FCC Part 2 Section 2.1077(a)



**Responsible Party Name: Asus Computer International**

**Address: 800 Corporate Way, Fremont, CA 94539.**

**Phone/Fax No: (510)739-3777/(510)608-4555**

hereby declares that the product

**Product Name : Motherboard**

**Model Number : STRIX Z270I GAMING**

Conforms to the following specifications:

FCC Part 15, Subpart B, Unintentional Radiators

**Supplementary Information:**

This device complies with part 15 of the FCC Rules. Operation is subject to the following two conditions: (1) This device may not cause harmful interference, and (2) this device must accept any interference received, including interference that may cause undesired operation.

Representative Person's Name : Steve Chang / President

Signature :

Date : Nov. 24, 2016

Ver. 140331

## Free Manuals Download Website

<http://myh66.com>

<http://usermanuals.us>

<http://www.somanuals.com>

<http://www.4manuals.cc>

<http://www.manual-lib.com>

<http://www.404manual.com>

<http://www.luxmanual.com>

<http://aubethermostatmanual.com>

Golf course search by state

<http://golfingnear.com>

Email search by domain

<http://emailbydomain.com>

Auto manuals search

<http://auto.somanuals.com>

TV manuals search

<http://tv.somanuals.com>