

If you have questions or comments, contact us.
Pour toute question ou tout commentaire, nous contacter.

Si tiene dudas o comentarios, contáctenos.

1-800-4-DEWALT • www.dewalt.com

INSTRUCTION MANUAL
GUIDE D'UTILISATION
MANUAL DE INSTRUCCIONES

INSTRUCTIVO DE OPERACIÓN. CENTROS DE SERVICIO
Y PÓLIZA DE GARANTÍA. ADVERTENCIA: LEASE ESTE
INSTRUCTIVO ANTES DE USAR EL PRODUCTO.

DEWALT®

D21002, D21007, D21008, D21009, DWD110, DWD112, DWD115
3/8" (10 mm) V.S.R. Drill
Perceuse de 10 mm (3/8 po) à régulateur de vitesse et inverseur
de marche
Taladro de 10 mm (3/8 pulg.) V.V.R.

DEWALT Industrial Tool Co., 701 East Joppa Road, Baltimore, MD 21286
(AUG07) Form No. 655014-00 D21002, D21007, D21008, D21009, DWD110, DWD112, DWD115
Copyright © 2002, 2004, 2007 DEWALT

The following are trademarks for one or more DEWALT power tools: the yellow and black color scheme; the "D" shaped air intake grill; the array of pyramids on the handgrip; the kit box configuration; and the array of lozenge-shaped humps on the surface of the tool.

Definitions: Safety Guidelines

The definitions below describe the level of severity for each signal word. Please read the manual and pay attention to these symbols.

⚠ DANGER: Indicates an imminently hazardous situation which, if not avoided, will result in death or serious injury.

⚠ WARNING: Indicates a potentially hazardous situation which, if not avoided, could result in death or serious injury.

⚠ CAUTION: Indicates a potentially hazardous situation which, if not avoided, may result in minor or moderate injury.

CAUTION: Used without the safety alert symbol indicates a potentially hazardous situation which, if not avoided, may result in property damage.

IF YOU HAVE ANY QUESTIONS OR COMMENTS ABOUT THIS OR ANY DEWALT TOOL, CALL US TOLL FREE AT: 1-800-4-DEWALT (1-800-433-9258)

General Safety Rules - For All Tools

⚠ WARNING! Read all instructions. Failure to follow all instructions listed below may result in electric shock, fire and/or serious injury. The term "power tool" in all of the warnings listed below refers to your mains-operated (corded) power tool or battery-operated (cordless) power tool.

SAVE THESE INSTRUCTIONS

1) WORK AREA SAFETY

- Keep work area clean and well lit. Cluttered or dark areas invite accidents.
- Do not operate power tools in explosive atmospheres, such as in the presence of flammable liquids, gases or dust. Power tools create sparks which may ignite the dust or fumes.
- Keep children and bystanders away while operating a power tool. Distractions can cause you to lose control.

2) ELECTRICAL SAFETY

- Power tool plugs must match the outlet. Never modify the plug in any way. Do not use any adapter plugs with earthed (grounded) power tools. Unmodified plugs and matching outlets will reduce risk of electric shock.
- Avoid body contact with earthed or grounded surfaces such as pipes, radiators, ranges and refrigerators. There is an increased risk of electric shock if your body is earthed or grounded.
- Do not expose power tools to rain or wet conditions. Water entering a power tool will increase the risk of electric shock.
- Do not abuse the cord. Never use the cord for carrying, pulling or unplugging the power tool. Keep cord away from heat, oil, sharp edges or moving parts. Damaged or entangled cords increase the risk of electric shock. Replace or repair damaged cords. Make sure your extension cord is in good condition. Use only 3-wire extension cords that have 3-prong grounding-type plugs and 3-pole receptacles that accept the tool's plug.
- When operating a power tool outdoors, use an extension cord suitable for outdoor use. Use of a cord suitable for outdoor use reduces the risk of electric shock. When using an extension cord, be sure to use one heavy enough to carry the current your product will draw. An undersized cord will cause a drop in line voltage resulting in loss of power and overheating. The following table shows the correct size to use depending on cord length and nameplate ampere rating. If in doubt, use the next heavier gauge. The smaller the gauge number, the heavier the cord.

Ampere Rating		Minimum Gauge for Cord Sets				
		Volts	Total Length of Cord in Feet (meters)			
More Than	Not More Than	120V	25 (7.6)	50 (15.2)	100 (30.5)	150 (45.7)
		240V	50 (15.2)	100 (30.5)	200 (61.0)	300 (91.4)
		AWG				
0	6		18	16	16	14
6	10		18	16	14	12
10	12		16	16	14	12
12	16		14	12	Not Recommended	

3) PERSONAL SAFETY

- Stay alert, watch what you are doing and use common sense when operating a power tool. Do not use a power tool while you are tired or under the influence of drugs, alcohol or medication. A moment of inattention while operating power tools may result in serious personal injury.
- Use safety equipment. Always wear eye protection. Safety equipment such as dust mask, non-skid safety shoes, hard hat, or hearing protection used for appropriate conditions will reduce personal injuries.
- Avoid accidental starting. Ensure the switch is in the off-position before plugging in. Carrying power tools with your finger on the switch or plugging in power tools that have the switch on invites accidents.
- Remove any adjusting key or wrench before turning the power tool on. A wrench or a key left attached to a rotating part of the power tool may result in personal injury.
- Do not overreach. Keep proper footing and balance at all times. This enables better control of the power tool in unexpected situations.
- Dress properly. Do not wear loose clothing or jewellery. Keep your hair, clothing and gloves away from moving parts. Loose clothes, jewellery or long hair can be caught in moving parts. Air vents often cover moving parts and should also be avoided.
- If devices are provided for the connection of dust extraction and collection facilities, ensure these are connected and properly used. Use of these devices can reduce dust-related hazards.

4) POWER TOOL USE AND CARE

- Do not force the power tool. Use the correct power tool for your application. The correct power tool will do the job better and safer at the rate for which it was designed.
- Do not use the power tool if the switch does not turn it on and off. Any power tool that cannot be controlled with the switch is dangerous and must be repaired.
- Disconnect the plug from the power source and/or the battery pack from the power tool before making any adjustments, changing accessories, or storing power tools. Such preventive safety measures reduce the risk of starting the power tool accidentally.
- Store idle power tools out of the reach of children and do not allow persons unfamiliar with the power tool or these instructions to operate the power tool. Power tools are dangerous in the hands of untrained users.
- Maintain power tools. Check for misalignment or binding of moving parts, breakage of parts and any other condition that may affect the power tool's operation. If damaged, have the power tool repaired before use. Many accidents are caused by poorly maintained power tools.
- Keep cutting tools sharp and clean. Properly maintained cutting tools with sharp cutting edges are less likely to bind and are easier to control.
- Use the power tool, accessories and tool bits etc., in accordance with these instructions and in the manner intended for the particular type of power tool, taking into account the working conditions and the work to be performed. Use of the power tool for operations different from those intended could result in a hazardous situation.

5) SERVICE

- Have your power tool serviced by a qualified repair person using only identical replacement parts. This will ensure that the safety of the power tool is maintained.

Additional Specific Safety Instructions for Drills

- Hold power tools by insulated gripping surfaces when performing an operation where the cutting tool may contact hidden wiring or its own cord. Contact with a "live" wire will make exposed metal parts of the tool "live" and shock the operator.
- Use clamps or other practical way to secure and support the workpiece to a stable platform. Holding the work by hand or against your body is unstable and may lead to loss of control.
- Keep handles dry, clean, free from oil and grease. It is recommended to use rubber gloves. This will enable better control of the tool.

⚠ WARNING: ALWAYS use safety glasses. Everyday eyeglasses are NOT safety glasses. Also use face or dust mask if cutting operation is dusty. ALWAYS WEAR CERTIFIED SAFETY EQUIPMENT:

- ANSI Z87.1 eye protection (CAN/CSA Z94.3),
- ANSI S12.6 (S3.19) hearing protection,
- NIOSH/OSHA/MSHA respiratory protection.

⚠ WARNING: Always use eye protection. All users and bystanders must wear eye protection that conforms to ANSI Z87.1.

⚠ WARNING: Some dust created by power sanding, sawing, grinding, drilling, and other construction activities contains chemicals known to cause cancer, birth defects, or other reproductive harm. Some examples of these chemicals are:

- lead from lead-based paints,
- crystalline silica from bricks and cement and other masonry products, and
- arsenic and chromium from chemically-treated lumber (CCA).

Your risk from these exposures varies, depending on how often you do this type of work. To reduce your exposure to these chemicals: work in a well ventilated area, and work with approved safety equipment, such as those dust masks that are specially designed to filter out microscopic particles.

- Avoid prolonged contact with dust from power sanding, sawing, grinding, drilling, and other construction activities. Wear protective clothing and wash exposed areas with soap and water. Allowing dust to get into your mouth, eyes, or lay on the skin may promote absorption of harmful chemicals.

⚠ WARNING: Use of this tool can generate and/or disburse dust, which may cause serious and permanent respiratory or other injury. Always use NIOSH/OSHA approved respiratory protection appropriate for the dust exposure. Direct particles away from face and body.

- The label on your tool may include the following symbols. The symbols and their definitions are as follows:

V..... volts	A..... amperes
Hz..... hertz	W..... watts
min minutes	~ alternating current
== direct current	n _o no load speed
⚠ Class I Construction (grounded)	⊕ earthing terminal
⊠ Class II Construction (double insulated)	⚠ safety alert symbol
BPM..... beats per minute	.../min..... revolutions or reciprocation per minute

SAVE THESE INSTRUCTIONS

Motor

Be sure your power supply agrees with the nameplate marking. Voltage decrease of more than 10% will cause loss of power and overheating. DEWALT tools are factory tested; if this tool does not operate, check power supply.

COMPONENTS (FIG. 1, 2, 3)

⚠ WARNING: Never modify the power tool or any part of it. Damage or personal injury could result.

- Trigger switch
- Reversing lever
- Bubble level
- Bubble level bulls-eye
- Keyless chuck
Keyed chuck (not shown)

INTENDED USE

The heavy-duty V.S.R. drills are designed for professional drilling at various work sites (i.e., construction sites). **DO NOT** use under wet conditions or in presence of flammable liquids or gases.

These heavy-duty V.S.R. drills are professional power tools. **DO NOT** let children come into contact with the tool. Supervision is required when inexperienced operators use this tool.

Switches (Fig. 1)

To start the drill, depress the trigger switch; to stop the drill, release the trigger.

A variable speed trigger switch (A) permits speed control—the farther the trigger is depressed, the higher the speed of the drill.

NOTE: Use lower speeds for starting holes without a center punch, drilling in metal or plastics, driving screws or drilling ceramics. Higher speeds are better for drilling wood and composition boards and using abrasive and polishing accessories.

The reversing lever (B) is used for withdrawing bits from tight holes and removing screws. It is located above the trigger switch. To reverse the motor, release the trigger switch **FIRST** and then push the lever to the right. After any reversing operations, return lever to forward position.

OPERATION

⚠ WARNING: To reduce the risk of serious personal injury, turn tool off and disconnect tool from power source before making any adjustments or removing/installing attachments or accessories.

Drilling

⚠ WARNING: To reduce the risk of personal injury, ALWAYS ensure workpiece is anchored or clamped firmly. If drilling thin material, use a wood "back-up" block to prevent damage to the material.

1. Use sharp drill bits only. For WOOD, use twist drill bits, spade bits, power auger bits, or hole saws. For METAL, use steel twist drill bits or hole saws. For MASONRY, such as brick, cement, cinder block, etc., use carbide-tipped bits rated for percussion drilling.
2. Always apply pressure in a straight line with the bit. Use enough pressure to keep drill biting, but do not push hard enough to stall the motor or deflect the bit.
3. Hold tool firmly with both hands to control the twisting action of the drill.
4. **IF DRILL STALLS**, it is usually because it is being overloaded or improperly used. **RELEASE TRIGGER IMMEDIATELY**, remove drill bit from work, and determine cause of stalling. **DO NOT CLICK TRIGGER ON AND OFF IN AN ATTEMPT TO START A STALLED DRILL — THIS CAN DAMAGE THE DRILL.**
5. To minimize stalling or breaking through the material, reduce pressure on drill and ease the bit through the last fractional part of the hole.
6. Keep the motor running when pulling the bit back out of a drilled hole. This will help prevent jamming.
7. With variable speed drills there is no need to center punch the point to be drilled. Use a slow speed to start the hole and accelerate by squeezing the trigger harder when the hole is deep enough to drill without the bit skipping out.

DRILLING IN METAL

Start drilling with slow speed and increase to full power while applying firm pressure on the tool. A smooth even flow of metal chips indicates the proper drilling rate. Use a cutting lubricant when drilling metals. The exceptions are cast iron and brass which should be drilled dry.

NOTE: Large [5/16" (8 mm) to 1/2" (13 mm)] holes in steel can be made easier if a pilot hole [5/32" (4 mm) to 3/16" (5 mm)] is drilled first.

DRILLING IN WOOD

Start drilling with slow speed and increase to full power while applying firm pressure on the tool. Holes in wood can be made with the same twist drills used for metal. These bits may overheat unless pulled out frequently to clear chips from the flutes. Work that is apt to splinter should be backed up with a block of wood.

DRILLING IN MASONRY

When drilling in masonry, use carbide-tipped bits rated for percussion drilling and be certain that the bits are sharp. Use a constant and firm force on the tool to drill most effectively. A smooth, even flow of dust indicates the proper drilling rate.

Bubble Level – DWD110, DWD112, DWD115 (Fig. 2)

Your drill is equipped with a bubble level (C) that assists you in drilling level holes.

For horizontal drilling, tilt the drill up or down as required so that the bubble floats in the center of the parallel lines drawn on the glass. When the bubble is centered between the lines, the drill is level.

For vertical drilling, align the drill so that the bubble floats in the center of the bull's-eye, (D).

To assure accuracy, first place a level on your work piece and position it so that it is level. Then, when the drill reads level, the two will be aligned. (Any bubble level can only indicate level to the earth's surface).

NOTE: The fluid in the bubble level vial is mineral spirits. If the mineral spirits gets into your eyes, flush eyes with water. If irritation occurs, seek medical attention. If the vial fluid comes into contact with your skin, remove contaminated clothing and remove excess fluid. Rinse thoroughly with water followed by washing with soap and water. If irritation occurs, seek medical attention. If vial fluid is inhaled, immediately get fresh air. If difficulty breathing, seek medical attention.

Keyless Chuck – D21007, D21008, D21009, DWD110, DWD115 (Fig. 3)

Your tool features a keyless chuck (E) for greater convenience. To insert a drill bit or other accessory, follow the steps listed below.

1. Grasp the rear half of the chuck with one hand and use your other hand to rotate the front half counterclockwise, as shown in Figure 3. Rotate far enough so that the chuck opens sufficiently to accept the desired accessory.
2. Insert the bit or other accessory about 3/4" (19 mm) into the chuck and tighten securely by holding the rear half of the chuck and rotating the front portion in the clockwise direction. When the chuck is nearly tightened, you will hear a clicking sound. After 4–6 clicks, the chuck is securely tightened around the accessory.
- 3 To release the accessory, repeat step 1 listed above.

⚠ WARNING: Do not attempt to tighten drill bits (or any other accessory) by gripping the front part of the chuck and turning the tool on. Damage to the chuck and personal injury may result.

KEYLESS CHUCK REMOVAL (FIG. 4)

Tighten the chuck around the shorter end of a hex key (not supplied) of 1/4" (6 mm) or greater size. Using a soft hammer or piece of wood, strike the longer end in the counterclockwise direction. This will loosen the chuck so that it can be unscrewed by hand.

KEYLESS CHUCK INSTALLATION (FIG. 5)

Screw the chuck on by hand as far as it will go. Tighten the chuck around the shorter end of a 1/4" (6 mm) or larger hex key (not supplied) strike the longer end in the clockwise direction with a soft hammer.

Keyed Chuck – D21002

Open the chuck jaws by turning collar by hand and insert the shank of the bit about 3/4" (19 mm) into chuck. Tighten the chuck collar by hand. Place chuck key in each of the three holes, and tighten in clockwise direction. It's important to tighten chuck with all three holes. To release the bit, turn the chuck counterclockwise in just one hole, then loosen the chuck by hand.

REMOVAL OF KEYED CHUCK (FIG. 6)

Tighten the chuck around the shorter end of a hex key (not supplied) of 1/4" (6 mm) or greater size. Using a soft hammer, strike the key sharply in the counterclockwise direction when viewed from the front of the tool. This will loosen the chuck so that it can be removed by hand.

KEYED CHUCK INSTALLATION (FIG. 7)

Screw the chuck on by hand as far as it will go. Insert the shorter end of a hex key (not supplied) of 1/4" (6 mm) or greater size and strike it in the clockwise direction with a soft hammer.

MAINTENANCE

⚠ WARNING: To reduce the risk of serious personal injury, turn tool off and disconnect tool from power source before making any adjustments or removing/installing attachments or accessories.

Cleaning

⚠ WARNING: Never use solvents or other harsh chemicals for cleaning the non-metallic parts of the tool. These chemicals may weaken the plastic materials used in these parts. Use a cloth dampened only with water and mild soap. Never let any liquid get inside the tool; never immerse any part of the tool into a liquid.

FIG. 1

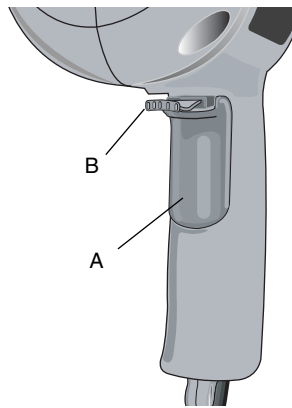


FIG. 2

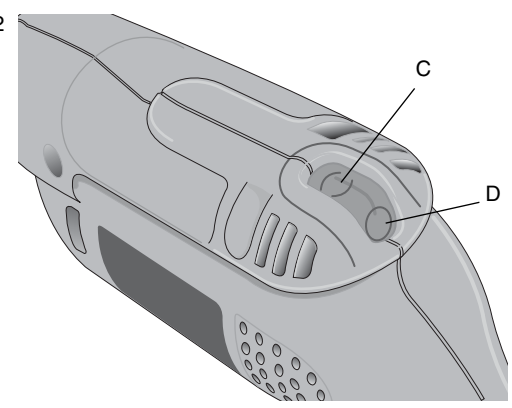


FIG. 3

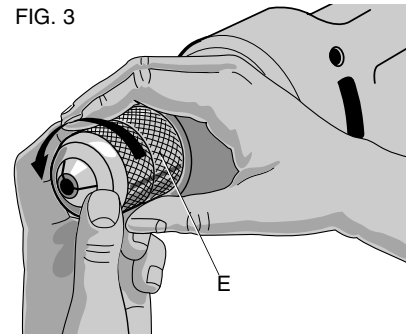


FIG. 4

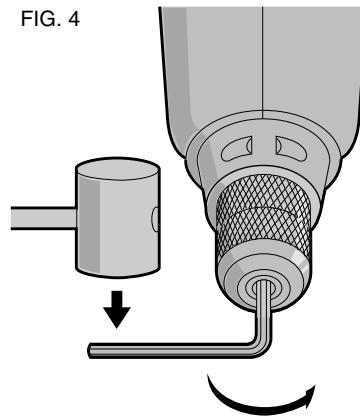


FIG. 5

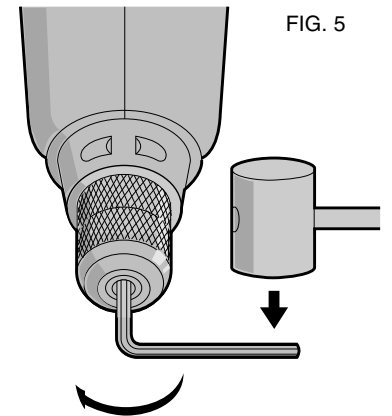


FIG. 6

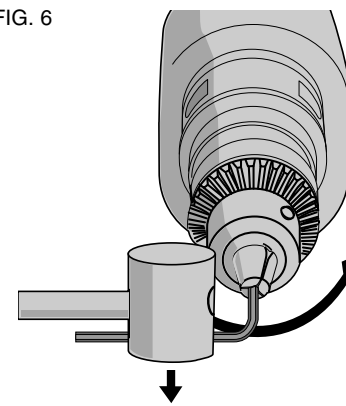
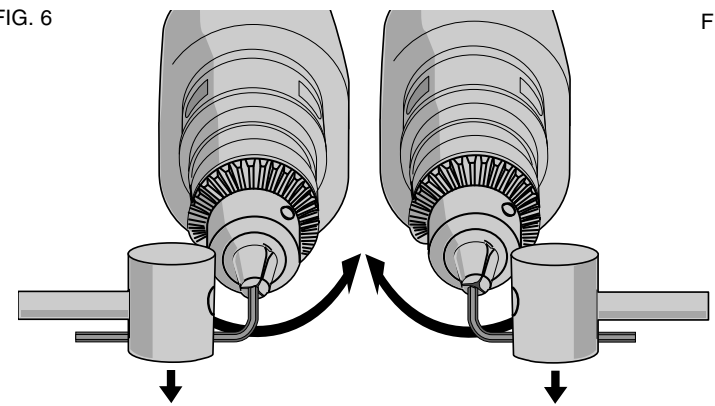


FIG. 7



Motor Brushes

DeWALT uses an advanced brush system which automatically stops the drill when the brushes wear out. This prevents serious damage to the motor. New brush assemblies are available at authorized DeWALT service centers. Always use identical replacement parts.

Lubrication

When the tool is taken apart for motor brush replacement a small amount of grease should be added (or redistributed from that remaining in housing) to the gears. The ball bearings used in this tool are lubricated during manufacture and require no lubrication.

Repairs

To assure product SAFETY and RELIABILITY, repairs, maintenance and adjustments (including brush inspection and replacement) should be performed by a DeWALT factory service center, a DeWALT authorized service center or other qualified service personnel. Always use identical replacement parts.

Accessories

⚠ WARNING: Since accessories, other than those offered by DeWALT, have not been tested with this product, use of such accessories with this tool could be hazardous. To reduce the risk of injury, only DeWALT, recommended accessories should be used with this product.

Recommended accessories for use with your tool are available at extra cost from your local service center.

If you need assistance in locating any accessory, please contact DeWALT Industrial Tool Co., 701 East Joppa Road, Baltimore, MD 21286 or call 1-800-4-DEWALT (1-800-433-9258).

⚠ CAUTION: To reduce the risk of injury, the following accessories should be used only in sizes up to the maximums shown in the table below.

MAXIMUM RECOMMENDED CAPACITIES	
Drill capacity	3/8" (10 mm)
R.P.M.	0-2500
Bits, metal drilling	3/8" (10 mm)
Wood, flat boring	1" (25.4 mm)
Bits, masonry drilling	1/2" (12.7 mm)
Hole saws	1-1/8" (28.4 mm)

ACCESSORY MUST BE RATED FOR USE AT SPEED EQUAL TO OR HIGHER THAN NAMEPLATE R.P.M. OF TOOL WITH WHICH IT IS BEING USED.

Wire wheel brushes	4" (101.6 mm) diameter maximum
Wire cup brushes	3" (76.2 mm) diameter maximum
Buffing wheels	3" (76.2 mm) diameter maximum
Rubber backing pads	4-5/8" (117.4 mm) diameter maximum

Three Year Limited Warranty

DeWALT will repair, without charge, any defects due to faulty materials or workmanship for three years from the date of purchase. This warranty does not cover part failure due to normal wear or tool abuse. For further detail of warranty coverage and warranty repair information, visit www.dewalt.com or call 1-800-4-DEWALT (1-800-433-9258). This warranty does not apply to accessories or damage caused where repairs have been made or attempted by others. This warranty gives you specific legal rights and you may have other rights which vary in certain states or provinces.

In addition to the warranty, DeWALT tools are covered by our:

1 YEAR FREE SERVICE

DeWALT will maintain the tool and replace worn parts caused by normal use, for free, any time during the first year after purchase.

90 DAY MONEY BACK GUARANTEE

If you are not completely satisfied with the performance of your DeWALT Power Tool, Laser, or Nailer for any reason, you can return it within 90 days from the date of purchase with a receipt for a full refund – no questions asked.

LATIN AMERICA: This warranty does not apply to products sold in Latin America. For products sold in Latin America, see country specific warranty information contained either in the packaging, call the local company or see website for warranty information.

FREE WARNING LABEL REPLACEMENT: If your warning labels become illegible or are missing, call 1-800-4-DeWALT for a free replacement.



Définitions : lignes directrices en matière de sécurité

Les définitions ci-dessous décrivent le niveau de danger pour chaque mot-indicateur employé. Veuillez lire le mode d'emploi et porter une attention particulière à ces symboles.

▲DANGER : indique une situation dangereuse imminente qui, si elle n'est pas évitée, causera la mort ou des blessures graves.

▲AVERTISSEMENT : indique une situation potentiellement dangereuse qui, si elle n'est pas évitée, pourrait se solder par un décès ou des blessures graves.

▲MISE EN GARDE : indique une situation potentiellement dangereuse qui, si elle n'est pas évitée pourrait se solder par des blessures mineures ou modérées.

MISE EN GARDE : utilisé sans le symbole d'alerte à la sécurité, indique une situation potentiellement dangereuse qui, si elle n'est pas évitée pourrait se solder par des dommages à la propriété.

POUR TOUTE QUESTION OU TOUT COMMENTAIRE RELATIF CET OUTIL OU À PROPOS DE TOUT AUTRE OUTIL DeWALT, COMPOSER SANS FRAIS LE : 1 (800) 4-DeWALT (1 (800) 433-9258)

Règles générales de sécurité concernant les outils à piles

▲AVERTISSEMENT : Lire toutes ces directives. Tout manquement aux directives suivantes pose des risques de choc électrique, d'incendie et/ou de blessure grave. Le terme « outil électrique » dans tous les avertissements ci-après se rapporte à votre outil électrique à alimentation sur secteur (avec fil) ou par piles (sans fil).

CONSERVER CES DIRECTIVES

1) SÉCURITÉ - AIRE DE TRAVAIL

- Maintenir l'aire de travail propre et bien éclairée. Les lieux encombrés ou sombres sont propices aux accidents.
- Ne pas faire fonctionner un outil électrique dans une atmosphère explosive, en présence par exemple de poussières, gaz ou liquides inflammables. Les outils électriques peuvent engendrer des étincelles qui pourraient enflammer toute émanation ou poussière ambiante.
- Tenir les enfants, ou toute autre personne, éloignés pendant l'utilisation d'un outil électrique. Toute distraction pourrait vous faire perdre la maîtrise de ce dernier.

2) SÉCURITÉ – ÉLECTRICITÉ

- La fiche électrique de l'outil doit correspondre à la prise murale. Ne jamais modifier la fiche en aucune façon. Ne jamais utiliser de fiche d'adaptation avec un outil électrique mis à la terre. L'utilisation de fiches d'origine et de prises appropriées réduira les risques de choc électrique.
- Éviter tout contact corporel avec des éléments mis à la terre comme tuyaux, radiateurs, cuisinières ou réfrigérateurs. Les risques de choc électrique augmentent lorsque le corps est mis à la terre.
- Ne pas exposer les outils électriques à la pluie ou à l'humidité. Toute pénétration d'un outil électrique par un liquide augmente les risques de choc électrique.
- Ne pas utiliser le cordon de façon abusive. Ne jamais utiliser le cordon pour transporter, tirer ou débrancher un outil électrique. Protéger le cordon de la chaleur, de l'huile et de tout bord tranchant ou pièce mobile. Les cordons endommagés ou emmêlés augmentent les risques de choc électrique. Remplacer ou faire réparer tout cordon endommagé. S'assurer que la rallonge est en bon état. N'utiliser que des rallonges trifilaires munies de fiches tripolaires et des prises tripolaires acceptant la fiche de l'outil.
- Lors de l'utilisation d'un outil électrique à l'extérieur, n'utiliser que des rallonges conçues pour l'extérieur. L'utilisation d'une rallonge conçue pour l'extérieur réduit les risques de choc électrique. En cas d'utilisation d'une rallonge, s'assurer que les valeurs nominales de la rallonge utilisée correspondent bien à celles de l'outil alimenté. L'usage d'une rallonge de calibre insuffisant causera une chute de tension entraînant perte de puissance et surchauffe. Le tableau ci-dessous illustre les calibres à utiliser selon la longueur de rallonge et l'intensité nominale indiquée sur la plaque signalétique. En cas de doutes, utiliser le calibre suivant. Plus le calibre est petit, plus la rallonge peut supporter de courant.

Calibre minimum pour rallonge					
Intensité nominale	Volts	Longueur totale du cordon en mètres (en pieds)			
	120V	7,6 (25)	15,2 (50)	30,5 (100)	45,7 (150)
	240V	15,2 (50)	30,5 (100)	61,0 (200)	91,4 (300)
		AWG			
Plus de	Pas plus de	5,5 (18)	4,9 (16)	4,9 (16)	4,3 (14)
0	6	5,5 (18)	4,9 (16)	4,3 (14)	3,7 (12)
6	10	4,9 (16)	4,9 (16)	4,3 (14)	3,7 (12)
10	12	4,3 (14)	3,7 (12)	Non recommandé	
12	16				

3) SÉCURITÉ PERSONNELLE

- Rester vigilant en tout temps et faire preuve de jugement pendant l'utilisation d'un outil électrique. Ne pas utiliser d'outil électrique en cas de fatigue ou sous l'influence de drogues, d'alcool ou de médicaments. Tout moment d'inattention pendant l'utilisation d'un outil électrique pose des risques de blessure grave.
- Utiliser le matériel de sécurité approprié. Toujours porter des lunettes de protection. Le fait de porter un masque anti-poussières, des chaussures antidérapantes, un casque de sécurité ou des protecteurs auditifs lorsque la situation le requiert réduira les risques de blessure.

- Éviter tout démarrage accidentel. S'assurer que l'interrupteur est en position d'arrêt avant tout branchement. Transporter un outil le doigt sur l'interrupteur ou brancher un outil électrique alors que l'interrupteur est en position de marche invite les accidents.
- Retirer toute clé de réglage avant de démarrer l'outil. Une clé laissée sur une pièce rotative d'un outil électrique pose des risques de blessure.
- Ne pas effectuer de travaux hors de portée. Les pieds doivent rester bien ancrés au sol afin de maintenir son équilibre en tout temps. Cela permet de mieux maîtriser l'outil électrique dans les situations imprévues.
- Porter des vêtements appropriés. Ne pas porter de vêtements amples ni de bijoux. Maintenir cheveux, vêtements et gants éloignés des pièces mobiles. Vêtements amples, bijoux ou cheveux longs risquent de rester coincés dans ces pièces mobiles. Prendre des précautions autour des événements car ils recouvrent des pièces mobiles.
- Lorsque d'un dispositif de connexion à un système de dé poussiérage ou d'élimination est fourni, s'assurer qu'il est connecté et utilisé correctement. L'utilisation de ces dispositifs peut réduire les risques engendrés par les poussières.

4) UTILISATION ET ENTRETIEN DES OUTILS ÉLECTRIQUES

- Ne pas forcer un outil électrique. Utiliser l'outil approprié au travail en cours. L'outil approprié effectuera un meilleur travail, de façon plus sûre et à la vitesse pour laquelle il a été conçu.
- Ne pas utiliser un outil électrique dont l'interrupteur est défectueux. Tout appareil dont l'interrupteur est défectueux est dangereux et doit être réparé.
- Débrancher la fiche du secteur et/ou le bloc-piles de l'outil électrique avant de faire tout réglage ou changement d'accessoire, ou avant de ranger ce dernier. Ces mesures préventives réduisent les risques de démarrage accidentel de l'appareil.
- Après usage, ranger les outils électriques hors de la portée des enfants, et ne permettre à aucune personne n'étant pas familière avec un outil électrique (ou son manuel d'instruction) d'utiliser ce dernier. Les outils peuvent être dangereux entre les mains des novices.
- Entretenir les outils électriques. Vérifier les pièces mobiles pour s'assurer qu'elles sont bien alignées et tournent librement, qu'elles sont en bon état et ne sont affectées d'aucune condition susceptible de nuire au bon fonctionnement de l'outil. En cas de dommage, faire réparer l'outil électrique avant toute nouvelle utilisation. Bien des accidents sont causés par des outils mal entretenus.
- Maintenir tout outil de coupe bien aiguisé et propre. Les outils de coupe bien entretenus et affûtés sont moins susceptibles de se coincer et sont plus faciles à contrôler.
- Utiliser un outil électrique, ses accessoires, mèches, etc., conformément aux présentes directives et suivant la manière prévue pour ce type particulier d'outil électrique, en tenant compte des conditions de travail et du travail à effectuer. L'utilisation d'un outil électrique pour toute opération autre que celle pour laquelle il a été conçu est dangereuse.

5) RÉPARATION

- Faire entretenir les outils électriques par un réparateur qualifié en n'utilisant que des pièces de rechange identiques. Cela permettra d'assurer l'intégrité de l'outil électrique et la sécurité de l'utilisateur.

Directives de sécurité spécifiques supplémentaires pour les perceuses

- Tenir l'outil par sa surface de prise isolée dans une situation où l'outil de coupe peut entrer en contact avec un câblage caché ou avec son propre cordon d'alimentation. Tout contact avec un fil « sous tension » mettra « sous tension » les pièces métalliques exposées de l'outil et provoquera un choc électrique chez l'opérateur de l'outil.
- Utiliser des brides de fixation ou tout autre dispositif de fixation permettant de soutenir et de retenir la pièce sur une plate-forme stable. Tenir la pièce avec la main ou contre son corps est instable et risque de provoquer une perte de maîtrise de l'outil.
- Maintenir les poignées sèches, propres, exemptes d'huile et de graisse. On recommande d'utiliser des gants de caoutchouc. Cela permet de mieux maîtriser l'outil.

▲AVERTISSEMENT : TOUJOURS porter des lunettes de sécurité. Les lunettes de vue ne constituent PAS des lunettes de sécurité. Utiliser également un masque facial ou anti-poussière si l'opération de découpe génère de la poussière. TOUJOURS PORTER UN ÉQUIPEMENT DE PROTECTION HOMOLOGUÉ :

- protection oculaire conforme à la norme ANSI Z87.1 (CAN/CSA Z94.3),
- protection auditive conforme à la norme ANSI S12.6 (S3.19) et
- protection des voies respiratoires conformes aux normes NIOSH/OSHA/MSHA.

▲AVERTISSEMENT : toujours utiliser une protection oculaire. Tous les utilisateurs et personnes à proximité doivent porter une protection oculaire conforme à la norme ANSI Z87.1.

▲AVERTISSEMENT : certaines poussières produites par les activités de ponçage, sciage, meulage, perçage et autres activités de construction peuvent contenir des produits chimiques pouvant causer le cancer, des anomalies congénitales ou d'autres problèmes liés aux fonctions reproductrices. Voici quelques exemples de ces produits chimiques :

- le plomb contenu dans les peintures à base de plomb;
- la silice cristalline de la brique, du ciment et d'autres produits de maçonnerie; et
- l'arsenic et chrome provenant de bois traité chimiquement.

Les risques reliés à l'exposition à ces poussières varient selon la fréquence à laquelle l'utilisateur travaille avec ce type de matériaux. Pour réduire votre exposition à ces produits chimiques : travailler dans un endroit bien ventilé et porter un équipement de sécurité approuvé comme un masque antipoussières conçu spécialement pour filtrer les particules microscopiques.

- Éviter le contact prolongé avec les poussières produites par les activités de ponçage, sciage, meulage, perçage et autres activités de construction. Porter des vêtements de protection et laver les parties du corps exposées avec une solution d'eau et de savon. Laisser la poussière pénétrer dans la bouche, les yeux ou reposer sur la peau peut favoriser l'absorption de produits chimiques nocifs.

▲AVERTISSEMENT : l'utilisation de cet outil peut produire et/ou disperser des poussières pouvant causer des problèmes respiratoires graves et permanents ou d'autres blessures. Toujours porter une protection des voies respiratoires approuvée par la NIOSH/OSHA lors d'une exposition à la poussière. Diriger les particules loin du visage et du corps.

- L'étiquette apposée sur votre outil peut comprendre les symboles suivants. Les symboles et leurs définitions sont indiqués ci-après :

V.....volts	A.....ampères
Hz.....hertz	W.....watts
min.....minutes	~courant alternatif
==courant continu	n ₀vitesse à vide
ⓁConstruction de classe I (mis à la terre)	Ⓧborne de terre
ⓁConstruction de classe II (à double isolation)	▲symbole d'alerte à la sécurité
BPM.....coups par minute	.../min.....rotations ou alternance par minute

CONSERVER CES DIRECTIVES

Moteur

S'assurer que le bloc d'alimentation est compatible avec l'inscription de la plaque signalétique. Une diminution de tension de plus de 10 % provoquera une perte de puissance et une surchauffe. Les outils DeWALT sont testés en usine; si cet outil ne fonctionne pas, vérifier l'alimentation électrique.

COMPOSANTS (FIG. 1, 2, 3)

▲AVERTISSEMENT : ne jamais modifier l'outil électrique ou l'une de ses parties. Une telle pratique risque de provoquer des dommages matériels ou des blessures corporelles.

- Détente
- Levier inverseur
- Niveau à bulle
- Niveau à bulle flotte
- Mandrin sans clé
Mandrins à clé (non montré)

UTILISATION PRÉVUE

La perceuse industrielle à régulateur de vitesse et inverseur de marche est conçue pour le perçage professionnel dans différents chantiers. **NE PAS** utiliser dans des conditions humides ou en présence de liquides ou de gaz inflammables.

Ces perceuses à régulateur de vitesse et inverseur de marche industrielles sont des outils électriques professionnels. **NE PAS** mettre les enfants en contact avec l'outil. Les opérateurs inexpérimentés doivent être supervisés lorsqu'ils utilisent cet outil.

Interrupteurs (Fig. 1)

Pour mettre la perceuse en marche, enfoncer l'interrupteur à détente; pour la mettre hors circuit, relâcher l'interrupteur à détente.

Le régulateur de vitesse (A) permet de contrôler la vitesse de l'outil. Plus on enfonce l'interrupteur à détente, plus l'outil fonctionne rapidement.

NOTE : Se servir des basses vitesses pour amorcer des trous sans poinçon ainsi que pour percer les métaux, les plastiques et la céramique, ainsi que pour enfoncer des vis. Les vitesses élevées conviennent mieux au perçage du bois et des panneaux d'agglomérés, ainsi qu'à l'utilisation d'accessoires pour le ponçage et le polissage.

L'inverseur de marche (B) sert à sortir les vis ou les forêts coincés. Il se trouve au-dessus de l'interrupteur à détente. Pour actionner la marche arrière, il faut D'ABORD relâcher l'interrupteur à détente, puis faire glisser l'inverseur de marche vers la droite. Après les travaux en marche arrière, toujours remettre l'inverseur à la marche avant.

FONCTIONNEMENT

⚠ AVERTISSEMENT : pour réduire le risque de blessures corporelles graves, éteindre l'outil et le débrancher avant d'effectuer tout réglage ou d'enlever ou d'installer des accessoires.

Perçage

⚠ AVERTISSEMENT : pour réduire le risque de blessures corporelles, TOUJOURS s'assurer que la pièce soit ancrée ou fixée fermement. En cas de perçage dans un matériau fin, utiliser un bloc en bois pour éviter tout dommage au matériau.

- N'utiliser que des mèches bien aiguisées. Pour le BOIS, utiliser des forêts hélicoïdaux, à trois pointes, à bois pour outil électrique ou des scies-cloches. Pour le MÉTAL, utiliser des forêts hélicoïdaux en acier ou des scies-cloches. Pour la MAÇONNERIE, par exemple les briques, le ciment, les blocs de béton, etc., utiliser des mèches à pointe carburée pour perçage à percussion.
- Toujours exercer une pression en ligne droite par rapport à la mèche. Exercer suffisamment de pression pour faire mordre la mèche mais ne pas trop appuyer pour éviter de bloquer le moteur ou de faire dévier la mèche.
- Tenir l'outil fermement des deux mains pour contrôler la torsion de la perceuse.
- SI LA PERCEUSE SE BLOQUE**, le problème est généralement attribuable à une surcharge ou une mauvaise utilisation. **RELÂCHER IMMÉDIATEMENT LA GÂCHETTE**, retirer la mèche du trou percé et déterminer la cause du blocage. **NE PAS APPUYER DE FAÇON RÉPÉTÉE SUR LA GÂCHETTE POUR TENTER DE DÉMARRER UNE PERCEUSE BLOQUÉE CAR CETTE PRATIQUE PEUT ENDOMMAGER L'OUTIL.**
- Pour éviter les blocages ou un bris lorsque vous effectuez un perçage, réduire la pression sur la perceuse et percer en douceur la dernière partie du trou.
- Faire tourner la perceuse pour retirer la mèche du trou percé. Cette pratique empêche la mèche de se coincer.
- Les perceuses à régime variable n'ont pas besoin d'un pointeau pour amorcer le trou. Utiliser une vitesse lente pour commencer le trou et accélérer en appuyant davantage sur la gâchette lorsque le trou est assez profond pour percer sans que la mèche n'en déborde.

PERÇAGE DANS LE MÉTAL

Amorcer le trou à faible vitesse puis passer à plein régime tout en appuyant fermement sur l'outil. Une évacuation continue et régulière de copeaux métalliques indique que la vitesse de perçage est adéquate. Utiliser un lubrifiant de coupe pour percer les métaux. Seuls la fonte et le laiton doivent être percés à sec.

REMARQUE : le perçage de grands trous [8 à 13 mm (5/16 à 1/2 po)] dans l'acier sera facilité si on perce d'abord un avant-trou [4 à 5 mm (5/32 à 3/16 po)].

PERÇAGE DANS LE BOIS

Amorcer le trou à faible vitesse puis passer à plein régime tout en appuyant fermement sur l'outil. Il est possible d'utiliser les mêmes forêts hélicoïdaux qui percent le métal. Ces forêts peuvent surchauffer s'ils ne sont pas fréquemment retirés pour nettoyer les cannelures. Les pièces susceptibles de provoquer des éclats de bois devraient être soutenues avec un bloc de bois.

PERÇAGE DANS LA MAÇONNERIE

Pour le perçage de la maçonnerie, utiliser des mèches à pointes carburées prévues pour une utilisation avec un marteau perforateur et s'assurer que la mèche soit bien affûtée. Utiliser une force ferme et constante sur l'outil pour un perçage plus efficace. Une évacuation continue de poussière indique que votre vitesse de perçage est adéquate.

Niveau à bulle – DWD110, DWD112, DWD115 (Fig. 2)

La perceuse est munie d'un niveau à bulle (C) pour s'assurer que les trous percés sont de niveau avec les plans horizontal ou vertical.

Dans le cas des trous percés à l'horizontale, placer la perceuse de sorte que la bulle se trouve entre les repères. À ce moment-là, la perceuse est de niveau avec le plan horizontal.

Pour percer des trous à la verticale, il suffit de placer la perceuse pour que la bulle flotte au centre du verre indicateur (D).

Afin de s'assurer de la précision, mettre un niveau sur la pièce à percer et placer cette dernière de niveau. Puis, aligner la perceuse, qui est de niveau, sur la pièce. (Tous les niveaux n'indiquent que le niveau par rapport au champ de gravitation de la terre.)

REMARQUE : le liquide dans la niveau à bulle est des esprits minéraux. Si les esprits entre en contact avec les yeux, les rincer immédiatement à l'eau. En cas d'irritation, obtenir des soins médicaux. Si le liquide de la fiole entre en contact avec la peau, retirer les vêtements contaminés et l'excès de liquide. Rincer à fond avec de l'eau puis nettoyer à l'eau savonneuse. En cas d'irritation, obtenir des soins médicaux. Si le liquide de la fiole est inhalé, exposer immédiatement la personne à l'air frais. En cas de difficulté respiratoire, obtenir des soins médicaux.

Mandrin sans clé – D21007, D21008, D21009, DWD110, DWD115 (Fig. 3)

L'outil est muni d'un mandrin sans clé (E) pour plus de commodité. Pour y insérer un foret ou tout autre accessoire, faire ce qui suit.

- Saisir la moitié arrière du mandrin d'une main et de l'autre, faire tourner la moitié avant dans le sens antihoraire, comme le montre la figure 3. Faire tourner suffisamment pour faire entrer l'accessoire voulu dans le mandrin.
- Insérer environ 19 mm (3/4 po) du foret ou de l'accessoire dans le mandrin et bien serrer en tenant la moitié arrière du mandrin et en faisant tourner la moitié avant dans le sens horaire.
- Pour dégager l'accessoire, répéter l'étape 1 précédente.

⚠ AVERTISSEMENT : Ne pas essayer de serrer les forêts (ou tout autre accessoire) en saisissant l'avant du mandrin et en mettant l'outil en marche; cela présente des risques de blessures et de dommages au mandrin.

RETRAIT DU MANDRIN (FIG. 4)

Serrer le mandrin autour de la courte extrémité d'une clé à six pans (non fournie) d'au moins 6 mm (1/4 po). À l'aide d'un marteau léger ou d'un morceau de bois, frapper l'extrémité la longue extrémité de la clé dans le sens antihoraire. On desserre ainsi le mandrin de façon à pouvoir le retirer à la main.

INSTALLATION DU MANDRIN (FIG. 5)

Visser à fond le mandrin à la main. Visser le mandrin autour de la courte extrémité d'une clé à six pans d'au moins 6 mm (1/4 po) (non fournie) et frapper la longue extrémité de la clé dans le sens horaire à l'aide d'un marteau léger.

Mandrins à clé – D21002

Ouvrir les mâchoires du mandrin en tournant la bague à la main et y insérer environ 19 mm (3/4 po) de l'arbre du foret. Resserrer la bague du mandrin à la main. Placer la clé du mandrin dans chacun des trois trous et serrer dans le sens HORAIRE. Il est essentiel de bien serrer les trois trous du mandrin. Pour dégager le foret, il suffit de faire tourner la clé du mandrin dans le sens ANTIHORAIRE dans l'un des trous, puis de desserrer le mandrin à la main. Le personnel d'un centre de service autorisé peut remplacer un mandrin à clé par un mandrin sans clé.

RETRAIT DU MANDRIN (FIG. 6)

Serrer le mandrin autour de la courte extrémité d'une clé à six pans (non fournie) d'au moins 6 mm (1/4 po). À l'aide d'un marteau léger, frapper l'extrémité la longue extrémité de la clé dans le sens antihoraire. On desserre ainsi le mandrin de façon à pouvoir le retirer à la main.

INSTALLATION DU MANDRIN (FIG. 7)

Visser à fond le mandrin à la main. Visser le mandrin autour de la courte extrémité d'une clé à six pans d'au moins 6 mm (1/4 po) (non fournie) et frapper la longue extrémité de la clé dans le sens horaire à l'aide d'un marteau léger.

ENTRETIEN

⚠ AVERTISSEMENT : pour réduire le risque de blessures corporelles graves, éteindre l'outil et le débrancher avant d'effectuer tout réglage, ou d'enlever ou d'installer des accessoires.

Nettoyage

⚠ AVERTISSEMENT : ne jamais utiliser de solvants ni d'autres produits chimiques puissants pour nettoyer les pièces non métalliques de l'outil. Ces produits chimiques peuvent affaiblir les matériaux de plastique utilisés dans ces pièces. Utiliser un chiffon humecté uniquement d'eau et de savon doux. Ne jamais laisser de liquide pénétrer dans l'outil et n'immerger aucune partie de l'outil dans un liquide.

Balais du moteur

Les outils DeWALT sont dotés d'un système perfectionné de vérification des balais qui arrête automatiquement l'outil lorsque les balais sont usés afin d'empêcher d'endommager le moteur. Des ensembles de balais neufs sont disponibles auprès des centres de réparation agréés DeWALT. Toujours utiliser des pièces de rechange identiques.

Lubrification

Quand l'outil est démonté pour le remplacement de brosse de moteur un peu de graisse devrait être ajouté (ou redistribué de cela restant dans le logement) aux vitesses. Les roulements à billes utilisés dans cet outil sont lubrifiés pendant la fabrication et n'exigent aucune lubrification.

Réparations

Pour assurer la SÉCURITÉ et la FIABILITÉ du produit, les réparations, l'entretien et les réglages (y compris l'inspection et le remplacement des balais) doivent être réalisés par un centre de réparation en usine DeWALT, un centre de réparation autorisé DeWALT ou par un personnel de réparation professionnel. Toujours utiliser des pièces de rechange identiques.

Accessoires

⚠ AVERTISSEMENT : puisque les accessoires autres que ceux offerts par DeWALT n'ont pas été testés avec ce produit, leur utilisation pourrait s'avérer dangereuse. Pour réduire le risque de blessures, utiliser exclusivement les accessoires DeWALT recommandés avec le présent produit.

On peut se procurer séparément les accessoires recommandés pour l'outil chez les détaillants ou au centre de service de la région.

Pour trouver un accessoire, prière de communiquer avec DeWALT Industrial Tool Co., 701 East Joppa Road, Baltimore, MD 21286, É.-U., ou composer sans frais le 1-(800)-4-DeWALT.

⚠ MISE EN GARDE : Pour réduire le risque de blessures, n'utiliser que les accessoires suivants et uniquement ceux ne dépassant pas les dimensions maximales recommandées.

CAPACITÉS MAXIMALES RECOMMANDÉES

Capacité de la perceuse	10 mm (3/8 po)
Régime (trs/min)	de 0 à 2 500
Forêts à métaux	10 mm (3/8 po)
Forêts à bois	25,4 mm (1 po)
Forêts à maçonnerie	12,7 mm (1/2 po)
Emporte-pièce	28,4 mm (1-1/8 po)

LA VITESSE NOMINALE DES ACCESSOIRES DOIT ÊTRE ÉGALE OU SUPÉRIEURE AU RÉGIME DE L'OUTIL (INDIQUÉ SUR LA PLAQUE SIGNALÉTIQUE DE CE DERNIER) AVEC LEQUEL ILS SONT UTILISÉS.

Meules métalliques	101,6 mm (4 po) max. De diamètre
Meules-boisseaux métalliques	76,2 mm (3 po) max. De diamètre
Coiffes à polir	76,2 mm (3 po) max. De diamètre
Disque d'appui en caoutchouc	117,4 mm (4-5/8 po) max. De diamètre

Garantie limitée trois ans

DeWALT réparera gratuitement tous les problèmes dus à des défauts de matériau ou de fabrication pendant trois ans à compter de la date d'achat. Cette garantie ne couvre pas des défaillances de pièce dues à une usure normale ou à une mauvaise utilisation de l'outil. Pour plus de détails relatifs à la couverture de la garantie et aux réparations sous garantie, visiter le site Web www.dewalt.com ou composer le 1-800-4-DeWALT (1-800-433-9258). Cette garantie ne s'applique pas aux accessoires ni aux dommages causés par des réparations réalisées ou tentées par des tiers. Cette garantie vous accorde des droits légaux spécifiques et il est possible que vous ayez d'autres droits qui varient d'un État ou d'une province à l'autre.

En plus de la garantie, les outils DeWALT sont couverts par notre :

SERVICE D'ENTRETIEN GRATUIT DE 1 AN

DeWALT entretiendra l'outil et remplacera les pièces usées par une utilisation normale et ce, gratuitement, à tout instant pendant la première année à compter de la date d'achat.

GARANTIE DE REMBOURSEMENT DE 90 JOURS

Si vous n'êtes pas entièrement satisfait des performances de votre outil électrique, laser ou de votre marteau-cloueur DeWALT pour quelque raison que ce soit, vous pouvez le retourner accompagné d'un reçu dans les 90 jours suivant la date d'achat et nous vous rembourserons entièrement - sans poser de questions.

AMÉRIQUE LATINE : cette garantie ne s'applique pas aux produits vendus en Amérique latine. Pour ceux-ci, veuillez consulter les informations relatives à la garantie spécifique présente dans l'emballage, appeler l'entreprise locale ou consulter le site Web pour les informations relatives à cette garantie.

REMPLACEMENT GRATUIT DES ÉTIQUETTES D'AVERTISSEMENT : si les étiquettes d'avertissement deviennent illisibles ou sont manquantes, composer le 1-800-4-DeWALT pour en obtenir le remplacement gratuit.



Definiciones: Normas de seguridad

Las siguientes definiciones describen el nivel de gravedad de cada palabra de señal. Lea el manual y preste atención a estos símbolos.

⚠ PELIGRO: indica una situación de peligro inminente que, si no se evita, provocará la muerte o lesiones graves.

⚠ ADVERTENCIA: indica una situación de peligro potencial que, si no se evita, podría provocar la muerte o lesiones graves.

⚠ PRECAUCIÓN: indica una situación de peligro potencial que, si no se evita, posiblemente provocaría lesiones leves o moderadas.

PRECAUCIÓN: cuando se utiliza sin el símbolo de alerta de seguridad indica una situación de peligro potencial que, si no se evita, puede provocar daños en la propiedad.

SI TIENE ALGUNA DUDA O COMENTARIO ACERCA DE ÉSTA U OTRA HERRAMIENTA DeWALT, LLÁMENOS AL NÚMERO GRATUITO: 1-800-4-DeWALT (1-800-433-9258).

Reglas de seguridad generales

⚠ ¡ADVERTENCIA! Lea todas las instrucciones. El incumplimiento con alguna de las instrucciones enumeradas más abajo puede resultar en descarga eléctrica, incendio y/o lesiones corporales serias. El uso del término “máquina herramienta” en las advertencias que se encuentran a continuación, se refiere a su máquina herramienta ya sea operada por la red de suministro (con cable de alimentación) o a batería (inalámbrica).

GUARDE ESTAS INSTRUCCIONES

1) SEGURIDAD EN EL ÁREA DE TRABAJO

- Mantenga su área de trabajo limpia y bien iluminada.** Los accidentes abundan en las áreas de trabajo desordenadas u oscuras.
- No opere máquinas herramienta en ambientes explosivos, tales como en presencia de líquidos, gases o polvos inflamables.** Las máquinas herramienta generan chispas que pueden inflamar el polvo o los gases.
- No use máquinas herramienta en presencia de niños u otras personas circundantes.** Las distracciones pueden hacerle perder el control.

2) SEGURIDAD ELÉCTRICA

- Los enchufes de las máquinas herramienta deben poder acoplarse a la toma de corriente. Jamás modifique el enchufe de ninguna manera. No emplee adaptadores de enchufe con máquinas herramienta conectadas a tierra.** Los enchufes no modificados y las tomas de corriente que correspondan al enchufe reducirán el riesgo de descarga eléctrica.
- Evite el contacto corporal con superficies conectadas a tierra, tales como tuberías, radiadores, cocinas y refrigeradores.** Existe un mayor riesgo de descarga eléctrica cuando su cuerpo está conectado a tierra.
- No esponga máquinas herramienta a condiciones lluviosas o húmedas.** Si entra agua a la máquina herramienta, aumentará el riesgo de descarga eléctrica.
- No abuse del cable. Jamás transporte, arrastre o desenchufe la máquina herramienta por el cable. Mantenga el cable alejado de fuentes de calor, aceite, bordes afilados o piezas en movimiento.** Los cables dañados o enredados aumentan el riesgo de descarga eléctrica. Cambie o repare aquellos cables que estén dañados. Verifique que su alargador esté en buenas condiciones. Utilice sólo alargadores de 3 hilos con enchufes de 3 patas, con conexión a tierra y tomas de corriente de 3 polos que acepten el enchufe de la herramienta.
- Cuando opere una máquina herramienta a la intemperie, use un alargador diseñado para uso a la intemperie.** El uso de un alargador diseñado para uso a la intemperie reduce el riesgo de descarga eléctrica. Cuando use un alargador, asegúrese de usar uno de un calibre suficiente como para cargar con la corriente que requerirá su producto. Un alargador de menor calibre causará una caída en el voltaje de la línea lo que resultará en pérdida de potencia y sobrecalentamiento. El siguiente cuadro muestra el tamaño correcto a utilizar, dependiendo del largo del cable y el amperaje nominal. En caso de duda, utilice el de mayor calibre. Mientras menor el número del calibre, mayor la capacidad del cable.

Calibre mínimo para juegos de cables						
Capacidad nominal en amperios		Voltios	Largo total del cable en metros (en pies)			
		120V	7,6 (25)	15,2 (50)	30,5 (100)	45,7 (150)
		240V	15,2 (50)	30,5 (100)	61,0 (200)	91,4 (300)
Desde	Hasta	AWG				
0	6		18	16	16	14
6	10		18	16	14	12
10	12		16	16	14	12
12	16		14	12	No recomendado	

3) SEGURIDAD PERSONAL

- Manténgase alerta, fíjese en lo que está haciendo y utilice su sentido común cuando opere una máquina herramienta. No utilice una máquina herramienta si está cansado o bajo la influencia de drogas, alcohol o medicamentos.** Sólo hace falta un momento de distracción durante la operación de máquinas herramienta para causar lesiones corporales serias.
- Use equipo de seguridad. Utilice siempre protección ocular.** El uso de un equipo de seguridad apropiado a las condiciones de trabajo, tal como máscaras antipolvo, calzado de seguridad anti-derrapante, cascos o protección auditiva, reducirá la posibilidad de sufrir lesiones corporales.
- Evite encender la máquina herramienta en forma accidental. Verifique que el conmutador esté apagado antes de enchufar la máquina herramienta.** El sujetar una máquina herramienta con el dedo en el conmutador o enchufar máquinas herramienta con el conmutador encendido se presta para que ocurran accidentes.
- Retire toda llave de ajuste antes de encender la máquina herramienta.** Si se deja alguna llave en una pieza giratoria de la máquina herramienta, podría provocar lesiones.
- No se sobreextienda. Manténgase siempre bien apoyado y equilibrado.** Esto permite tener un mayor control de la máquina herramienta en situaciones inesperadas.
- Vístase debidamente. No se ponga ropa suelta o joyas. Mantenga su pelo, ropa y guantes alejados de piezas móviles.** La ropa suelta, las joyas y el pelo largo pueden quedar atrapados en las piezas móviles. Los orificios de ventilación suelen cubrir piezas en movimiento, por lo que también se deben evitar.
- Si la máquina herramienta viene con el gún dispositivo de conexión para la extracción y colección de polvo, asegúrese que este sea debidamente conectado y utilizado.** El uso de estos dispositivos puede reducir los peligros relacionados a la generación de polvo.

4) USO Y CUIDADO DE LA MÁQUINA HERRAMIENTA

- No fuerce la máquina herramienta. Use la máquina herramienta correcta para su aplicación.** La máquina herramienta apropiada hará un trabajo mejor y más seguro si se usa de la forma para la cual fue diseñada.
- No use la máquina herramienta si el conmutador no puede encenderla y apagarla.** Cualquier máquina herramienta que no pueda ser controlada con el conmutador es peligrosa y debe ser reparada.
- Desenchufe la máquina herramienta de la toma de corriente y/o de la unidad de alimentación antes de ajustarla, cambiar de accesorio o guardarla.** Estas medidas de seguridad preventiva reducen el riesgo de poner en marcha la máquina herramienta accidentalmente.
- Guarde su máquina herramienta fuera del alcance de niños cuando no la esté usando y no permita que personas que no estén familiarizadas con la máquina herramienta o estas instrucciones la usen.** Las máquinas herramienta son peligrosas en manos de personas no capacitadas.
- Mantenga su máquina herramienta. Revise la máquina herramienta para verificar que no esté mal alineada, que sus piezas móviles no estén trabadas o rotas y que no exista otra condición que pudiera afectar su operación. Si está dañada, haga reparar la máquina herramienta antes de utilizarla.** Muchos accidentes son causados por usar máquinas herramienta que no han sido bien mantenidas.
- Mantenga máquinas herramienta que son usadas para cortar afiladas y limpias.** Las máquinas herramienta de corte debidamente mantenidas y afiladas tienen menos probabilidades de trabarse y son más fáciles de controlar.
- Use la máquina herramienta, sus accesorios, etc., en cumplimiento con estas instrucciones y en la manera para la cual la máquina herramienta fue diseñada, tomando en cuenta las condiciones de trabajo y el trabajo a realizar.** El uso de una máquina herramienta para operaciones fuera de aquellas para las que fue diseñada podría resultar en una situación peligrosa.

5) SERVICIO

- Haga reparar su máquina herramienta por un técnico de reparación calificado, utilizando sólo repuestos originales.** Esto garantizará la seguridad de la máquina herramienta.

Instrucciones de seguridad adicionales específicas para taladros

- Sostenga la herramienta por las superficies de agarre aisladas cuando realice una operación en la que la herramienta de corte pueda tocar cables eléctricos ocultos o el**

cable de ésta. El contacto con un cable con corriente eléctrica hará que las partes expuestas de la herramienta tengan corriente y que el operador reciba una descarga eléctrica.

- Utilice abrazaderas u otra forma práctica para asegurar y sostener la pieza de trabajo en una plataforma estable.** Sostener el trabajo con la mano o contra el cuerpo no brinda la estabilidad requerida y puede llevar a la pérdida del control.
- Mantenga los mangos secos, limpios y sin restos de aceite ni grasa. Se recomienda utilizar guantes de goma.** Éstos permitirán controlar la herramienta de mejor manera.

⚠ ADVERTENCIA: Use SIEMPRE lentes de seguridad. Los anteojos de uso diario NO son lentes de seguridad. Utilice también máscaras faciales o para polvo si el corte produce polvillo. UTILICE SIEMPRE EQUIPOS DE SEGURIDAD CERTIFICADOS:

- protección para los ojos ANSI Z87.1(CAN/CSA Z94.3),
- protección auditiva ANSI S12.6 (S3.19),
- protección respiratoria según las normas NIOSH/OSHA/MSHA..

⚠ ADVERTENCIA: Utilice siempre protección para los ojos. Todos los usuarios y espectadores deben utilizar protección para los ojos conforme con las normas ANSI Z87.1.

⚠ ADVERTENCIA: Algunas partículas originadas al lijar, aserrar, amolar, taladrar y realizar otras actividades de construcción contienen productos químicos que producen cáncer, defectos de nacimiento y otros problemas reproductivos. Algunos ejemplos de estos productos químicos son:

- el plomo de las pinturas de base plomo,
- la sílice cristalina de ladrillos, cemento y otros productos de mampostería, y
- el arsénico y el cromo de la madera con tratamiento químico.

El riesgo derivado de estas exposiciones varía según la frecuencia con la que se realice este tipo de trabajo. Para reducir la exposición a estos productos químicos, se recomienda trabajar en áreas bien ventiladas y usar equipos de seguridad aprobados, como las máscaras para polvo especialmente diseñadas para filtrar las partículas microscópicas.

- Evite el contacto prolongado con las partículas de polvo originadas al lijar, aserrar, esmerilar, taladrar y realizar demás actividades de la construcción. Use indumentaria protectora y lave las áreas expuestas con agua y jabón.** Evite que el polvo entre en la boca y en los ojos o se deposite en la piel, para impedir la absorción de productos químicos nocivos.

⚠ ADVERTENCIA: El uso de esta herramienta puede generar o dispersar partículas de polvo, que pueden causar lesiones respiratorias permanentes y graves u otras lesiones. Use siempre protección respiratoria apropiada para la exposición al polvo aprobada por el Instituto Nacional de Salud y Seguridad Ocupacional de EE.UU. y la Administración de Salud y Seguridad Ocupacional de EE.UU. (NIOSH y OSHA respectivamente, por sus siglas en inglés). Aleje la cara y el cuerpo del contacto con las partículas.

- La etiqueta de su herramienta puede incluir los siguientes símbolos. Los símbolos y sus definiciones son los siguientes:

V.....	voltios	A.....	amperios
Hz.....	hertz	W.....	vatios
min.....	minutos	~	corriente alterna
==	corriente directa	nº.....	velocidad sin carga
ⓘ.....	Construcción Clase I (con conexión a tierra)	⊕.....	terminal a tierra
Ⓛ.....	Construcción Clase II (con aislamiento doble)	⚠.....	símbolo de alerta de seguridad
BPM.....	golpes por minuto	.../min.....	revoluciones o reciprocidad por minuto

GUARDE ESTAS INSTRUCCIONES

Motor

Asegúrese de que la fuente de energía concuerde con lo que se indica en la placa. Un descenso en el voltaje de más del 10% producirá una pérdida de potencia y sobrecalentamiento. Todas las herramientas DeWALT son probadas en fábrica; si esta herramienta no funciona, verifique el suministro eléctrico.

COMPONENTES (FIG. 1, 2, 3)

⚠ ADVERTENCIA Nunca modifique la herramienta eléctrica ni ninguna pieza de ésta. Puede ocasionar un daño o una lesión personal.

- Interruptor disparador
- Palanca de cambio de marcha
- Nivel de burbuja
- Ojo de buey de burbuja
- Portabrocas sin llave
Portabrocas con llave (no demostrado)

USO PREVISTO

El taladro de V.V.R para trabajo pesado DW120 está diseñado para uso profesional en distintos sitios de trabajo (por ejemplo, sitios de construcción). **NO** use la herramienta en condiciones húmedas o cuando líquidos o gases inflamables se encuentran presentes.

Estos taladros de V.V.R para trabajo pesado son herramientas eléctricas profesionales. **NO** permita que los niños tengan contacto con la herramienta. Se debe supervisar a los operadores inexpertos que utilizan esta herramienta.

Interruptores (Fig. 1)

Oprima el interruptor de gatillo (A) para accionar el taladro; suéltelo para detenerlo. El interruptor de gatillo de velocidad variable permite controlar la velocidad. Cuanto más a fondo se oprima el gatillo, mas elevada será la velocidad del taladro.

NOTA: Utilice velocidades bajas para perforar sin haber marcado el “punto” de centro, taladrar en metal o plásticos, atornillar y perforar cerámica. Las altas velocidades son mejores para barrenar madera y aglomerados de ésta, y cuando se van a utilizar los accesorios abrasivos y de pulido.

La palanca de reversa (B) se utiliza para sacar las brocas atascadas en barrenos muy apretados y para destornillar. Se encuentra situada por arriba del interruptor de gatillo. Para activar el motor en reversa, suelte PRIMERO el gatillo y, a continuación, mueva la palanca hacia la derecha. Después de haber efectuado una operación en reversa, devuelva la palanca hacia la posición de marcha hacia adelante.

OPERACIÓN

⚠ ADVERTENCIA: Para reducir el riesgo de lesiones personales graves, apague la herramienta y desconéctela de la fuente de energía antes de realizar ajustes o de retirar/instalar cualquier dispositivo o accesorio.

Taladrado

⚠ ADVERTENCIA: Para reducir el riesgo de lesiones personales, asegúrese SIEMPRE de sujetar o fijar firmemente la pieza de trabajo. Si va a taladrar un material delgado, utilice un bloque de madera “de respaldo” para evitar dañarlo.

- Use solamente brocas para taladro afiladas. Para MADERA, use brocas helicoidales, brocas de pala, brocas salomónicas o sierras perforadoras. Para taladrar en METAL, use brocas helicoidales de acero rápido o sierras perforadoras. Para MAMPOSTERÍA, tal como ladrillos, cemento, bloques de hormigón, etc., utilice brocas con puntas de carburo indicadas para el taladrado por percusión.
- Aplique siempre presión en línea recta con la broca. Utilice la presión suficiente para mantener la broca funcionando, pero no tanta como para ahogar el motor o ladear la broca.
- Sostenga firmemente la herramienta con ambas manos para controlar la torsión del taladro.
- SI EL TALADRO SE ATASCA**, probablemente se deba a una sobrecarga o al uso inadecuado de la herramienta. **SUELTE EL DISPARADOR INMEDIATAMENTE**, retire la broca de la pieza de trabajo, y determine la causa del atascamiento. **NO OPRIMA EL DISPARADOR PARA INTENTAR DESTABAR EL TALADRO – PODRÍA DAÑARLO.**
- Para minimizar los atascamientos o las roturas del material, reduzca la presión y deje ir suavemente la broca hacia el final del orificio.
- Mantenga el motor en funcionamiento cuando retire la broca de un orificio taladrado. Esto ayudará a prevenir atascamientos.
- Con los taladros de velocidad variable, no es necesario marcar con un punzón el centro del lugar que desea taladrar. Utilice una velocidad baja para producir el orificio y acelere oprimiendo el disparador más fuerte cuando el orificio sea lo suficientemente profundo para taladrar sin que la broca salte hacia afuera.

TALADRADO EN METAL

Comience taladrando a baja velocidad y aumente a potencia completa mientras aplica presión firme en la herramienta. Un flujo uniforme y suave de astillas metálicas indica que se taladra a la velocidad adecuada. Utilice un lubricante de corte cuando taladre metales. Las excepciones son el bronce y el hierro fundido que deben taladrarse en seco.

NOTA: Los orificios grandes en acero, de 8 a 13 mm (5/16 pulg. a 1/2 pulg.), se pueden perforar más fácilmente si primero se perfora un orificio piloto de 4 a 5 mm (5/32 pulg. a 3/16 pulg.).

TALADRADO EN MADERA

Comience taladrando a baja velocidad y aumente a potencia completa mientras aplica presión firme en la herramienta. Los orificios en madera se pueden realizar con las mismas brocas helicoidales que se utilizan para el metal. Estas brocas pueden sobrecalentarse a menos que se retiren con frecuencia para limpiar las virutas de las ranuras. Las piezas de trabajo que pueden astillarse deben respaldarse con un bloque de madera.

TALADRADO EN MAMPOSTERÍA

Cuando taladre en mampostería, use brocas con puntas de carburo aptas para taladrado por percusión y asegúrese de que la punta esté afilada. Aplique fuerza constante y firme en la herramienta para taladrar con mayor eficacia. Un flujo de virutas uniforme y suave indica que se taladra a la velocidad adecuada.

Nivel de burbuja – DWD110, DWD112, DWD115 (Fig. 2)

Su taladro viene equipado con un nivel de burbuja (C), de utilidad para perforar barrenos a nivel.

Para el taladrado horizontal mueva su unidad hacia arriba o hacia abajo para que la burbuja, al flotar, vaya desplazándose hacia las líneas paralelas grabadas en el vidrio. El taladro estará nivelado una vez centrada la burbuja entre las líneas, como se ilustra.

Para el taladrado vertical, se debe alinear el taladro de manera que la burbuja flote en el centro del ojo de buey (D).

Para garantizar la precisión, coloque primero un nivel sobre la pieza en la que esté trabajando y nivélela; a continuación, cuando el taladro se encuentre nivelado, lo estarán entre si éste y la pieza de trabajo. (Los dispositivos de burbuja pueden indicar sólo el nivel de la superficie de la tierra).

NOTA: El líquido dentro del tubo es un alcohol mineral. Si el alcohol mineral entra en contacto con sus ojos, lávelos con agua. Si se presenta una irritación, busque atención médica. Si el líquido del tubo entra en contacto con la piel, quítese la ropa contaminada y elimine el exceso de líquido. Lávese con agua y jabón y enjuáguese bien con agua. Si se presenta una irritación, busque atención médica. Si inhala el líquido del tubo, respire aire fresco inmediatamente. Si tiene dificultad para respirar, busque atención médica.

Portabrocas sin llave – D21007, D21008, D21009, DWD110, DWD115 (Fig. 3)

Su herramienta cuenta con un portabrocas sin llave (E) para mayor comodidad. Para insertar una broca u otro accesorio, siga los pasos descritos a continuación.

- Tome la mitad trasera del portabrocas con una mano y utilice su otra mano para girar la mitad delantera en sentido contrario a las manecillas del reloj, como se observa en la figura 3. Gire lo suficiente para que el portabrocas se abra lo necesario para aceptar el accesorio deseado.
- Inserte la broca u otro accesorio aproximadamente 19 mm (3/4 pulg.) dentro del portabrocas y apriete con firmeza sujetando la mitad trasera del portabrocas y girando la porción frontal en el sentido de las manecillas del reloj.
- Para sacar el accesorio, pepita el paso 1 mencionado con anterioridad.

▲ADVERTENCIA: *No intente apretar las brocas (ni ningún otro accesorio) sujetando la parte frontal del portabrocas y encendiendo la herramienta. Hay riesgos de lesiones personales y daños a la herramienta.*

REMOCIÓN DEL PORTABROCAS (FIG. 4)

Apriete el portabrocas alrededor del extremo más corte de una llave allen (no suministrada) de 6 mm (1/4 pulg.) o mayor. De un golpe al extremo más grande con un marro de goma o una pieza de madera en sentido opuesto a las manecillas del reloj. Esto aflojará el portabrocas para poder destornillarlo a mano.

INSTALACIÓN DEL PORTABROCAS (FIG. 5)

Atornille el portabrocas a mano tanto como sea posible. Apriete el portabrocas alrededor del extremo menor de una llave allen de 6 mm (1/4 pulg.) (no suministrada). De un golpe al extremo mayor en el sentido de las manecillas del reloj con un marro suave de goma.

Uso del portabrocas con llave – D21002

Abra las mordazas del broquero girando el collarín a mano e inserte el vástago de la broca aproximadamente 19 mm (3/4 pulg.) en el portabrocas. Apriete el collarín del portabrocas a mano. Coloque la llave en cada uno de los tres orificios del portabrocas y apriete en el sentido de las manecillas del reloj. Es importante apretar el portabrocas en los tres orificios. Para sacar la broca, gire el portabrocas en sentido opuesto a las manecillas del reloj en un solo orificio, después afloje el portabrocas a mano.

REMOCIÓN DEL PORTABROCAS CON LLAVE (FIG. 6)

Apriete el portabrocas alrededor del extremo más corte de una llave allen (no suministrada) de 6 mm (1/4 pulg.) o mayor. De un golpe al extremo más grande con un marro de goma en sentido opuesto a las manecillas del reloj. Esto aflojará el portabrocas para poder destornillarlo a mano.

INSTALACIÓN DEL PORTABROCAS CON LLAVE (FIG. 7)

Atornille el portabrocas a mano tanto como sea posible. Apriete el portabrocas alrededor del extremo menor de una llave allen de 6 mm (1/4 pulg.) (no suministrada). De un golpe al extremo mayor en el sentido de las manecillas del reloj con un marro suave de goma.

MANTENIMIENTO

▲ADVERTENCIA: *Para reducir el riesgo de lesiones personales graves, apague la herramienta y desconéctela de la fuente de alimentación antes de realizar ajustes o de retirar o instalar cualquier dispositivo o accesorio.*

Limpieza

▲ADVERTENCIA: *Nunca utilice solventes ni otros químicos abrasivos para limpiar las piezas no metálicas de la herramienta. Estos productos químicos pueden debilitar los materiales plásticos utilizados en estas piezas. Utilice un paño humedecido sólo con agua y jabón neutro. Nunca permita que penetre líquido dentro de la herramienta ni sumerja ninguna de las piezas en un líquido.*

Cepillos Del Motor

DeWALT utiliza un sistema avanzado del cepillo que pare automáticamente el taladro cuando los cepillos desgastan hacia fuera. Esto previene daño serio al motor. Nuevos montajes de cepillos están disponibles en los centros de mantenimiento DeWALT. Utilice siempre piezas de repuesto idénticas.

Lubricación

Cuando la herramienta se separa para el reemplazo del cepillo del motor una cantidad pequeña de grasa se debe agregar (o redistribuir de eso restante en la cubierta) a los engranajes. Los rodamientos de bolitas usados en esta herramienta se lubrican durante la fabricación y no requieren ninguna lubricación.

Reparaciones

Para asegurar la SEGURIDAD y la CONFIABILIDAD del producto, las reparaciones, el mantenimiento y los ajustes (incluyendo revisión y cambio de los carbones) deben ser realizados por un centro de servicio de fábrica DeWALT, un centro de servicio autorizado DeWALT u otro personal de mantenimiento calificado. Utilice siempre piezas de repuesto idénticas.

Accesorios

▲ADVERTENCIA: *Debido a que no se han probado con este producto otros accesorios que no sean los que ofrece DeWALT, el uso de dichos accesorios con esta herramienta podría ser peligroso. Para reducir el riesgo de lesiones, con este producto deben usarse sólo los accesorios recomendados por DeWALT.*

Dispone usted de los accesorios recomendados para su herramienta con cargo adicional con su distribuidor o en su centro de servicio locales. Se incluye una lista completa de los centros de servicio con su herramienta. Si necesita usted ayuda para encontrar algún accesorio para su herramienta, por favor haga contacto con DeWALT Industrial Tool Co., 701 East Joppa Road, Baltimore, MD 21286.

▲PRECAUCIÓN: *Para reducir el riesgo de lesiones, los siguientes accesorios deberán utilizarse solamente en tamaños iguales o menores señalados en la tabla a continuación.*

CAPACIDADES MÁXIMAS RECOMENDADAS	
Capacidad del taladro	10 mm (3/8 pulg.)
R.P.M.	0-2500
Brocas para metal	10 mm (3/8 pulg.)
Brocas para madera	25,4 mm (1 pulg.)
Brocas para mampostería	12,7 mm (1/2 pulg.)
Brocas sierra	28,5 mm (1-1/8 pulg.)

EL ACCESORIO DEBE ESTAR CLASIFICADO PARA UTILIZARSE A UNA VELOCIDAD IGUAL O MAYOR QUE LAS R.P.M. SEÑALADAS EN LA PLACA DE IDENTIFICACION DE LA HERRAMIENTA QUE SE ESTE EMPLEANDO.

Cepillos de alambre	diámetro máximo 101,6 mm (4 pulg.)
Cepillos de copa	diámetro máximo 76,2 mm (3 pulg.)
Bonetes para pulir	diámetro máximo 76,2 mm (3 pulg.)
Respaldos de goma	diámetro máximo 117,4 mm (4-5/8 pulg.)

Póliza de Garantía

IDENTIFICACIÓN DEL PRODUCTO:

Sello o firma del Distribuidor.

Nombre del producto: _____ Mod./Cat.: _____

Marca: _____ Núm. de serie: _____

(Datos para ser llenados por el distribuidor)

Fecha de compra y/o entrega del producto: _____

Nombre y domicilio del distribuidor donde se adquirió el producto: _____

Este producto está garantizado por un año a partir de la fecha de entrega, contra cualquier defecto en su funcionamiento, así como en materiales y mano de obra empleados para su fabricación. Nuestra garantía incluye la reparación o reposición del producto y/o componentes sin cargo alguno para el cliente, incluyendo mano de obra, así como los gastos de transportación razonablemente erogados derivados del cumplimiento de este certificado.

Para hacer efectiva esta garantía deberá presentar su herramienta y esta póliza sellada por el establecimiento comercial donde se adquirió el producto, de no contar con ésta, bastará la factura de compra.

EXCEPCIONES.

Esta garantía no será válida en los siguientes casos:

- Cuando el producto se hubiese utilizado en condiciones distintas a las normales;
- Cuando el producto no hubiese sido operado de acuerdo con el instructivo de uso que se acompaña;
- Cuando el producto hubiese sido alterado o reparado por personas distintas a las enlistadas al final de este certificado.

Anexo encontrará una relación de sucursales de servicio de fábrica, centros de servicio autorizados y franquiciados en la República Mexicana, donde podrá hacer efectiva su garantía y adquirir partes, refacciones y accesorios originales.

Garantía limitada de tres años

DeWALT reparará sin cargo cualquier defecto ocasionado por materiales defectuosos o mano de obra, durante tres años a partir de la fecha de compra. Esta garantía no cubre fallas en las piezas que resulten del desgaste normal de la herramienta o de su utilización inadecuada. Para obtener información detallada sobre la cobertura de la garantía y sobre reparaciones, visite nuestra página Web www.dewalt.com o llame al 1-800-4-DeWALT (1-800-433-9258). Esta garantía no se extiende a los accesorios o a los daños causados por terceros al intentar realizar reparaciones. Esta garantía le concede derechos legales específicos; usted goza también de otros derechos que varían según el estado o provincia.

Además de la garantía, las herramientas DeWALT están cubiertas por nuestro:

SERVICIO GRATUITO DE 1 AÑO

DeWALT realizará el mantenimiento de la herramienta y reemplazará las piezas gastadas tras el uso normal, sin costo alguno, en cualquier momento durante el primer año después de la compra.

GARANTÍA DE REEMBOLSO DE DINERO DE 90 DÍAS

Si por alguna razón no estuviera plenamente satisfecho con el rendimiento de la herramienta eléctrica, el láser o la clavadora DeWALT, puede devolver el producto dentro de los 90 días siguientes a la fecha de compra acompañado del recibo de compra. De esta manera, se le reintegrará el importe total del producto sin formularle pregunta alguna.

AMÉRICA LATINA: Esta garantía no se aplica a los productos que se venden en América Latina. Para los productos que se venden en América Latina, debe consultar la información de la garantía específica del país que viene en el empaque, llamar a la compañía local o visitar el sitio Web a fin de obtener esa información.

REEMPLAZO GRATUITO DE LAS ETIQUETAS DE ADVERTENCIA: si sus etiquetas de advertencia se tornan ilegibles o faltan, llame al 1-800-4-DeWALT para que se las reemplacen gratuitamente.

PARA REPARACIÓN Y SERVICIO DE SUS HERRAMIENTAS ELÉCTRICAS, FAVOR DE DIRIGIRSE AL CENTRO DE SERVICIO MÁS CERCANO	
CULIACAN, SIN Blvd.Emiliano Zapata 5400-1 Poniente Col. San Rafael	(667) 717 89 99
GUADALAJARA, JAL Av. La Paz #1779 - Col. Americana Sector Juárez	(33) 3825 6978
MEXICO, D.F. Eje Central Lázaro Cárdenas No. 18 Local D, Col. Obrera	(55) 5588 9377
MERIDA, YUC Calle 63 #459-A - Col. Centro	(999) 928 5038
MONTERREY, N.L. Av. Francisco I. Madero 831 Poniente - Col. Centro	(818) 375 23 13
PUEBLA, PUE 17 Norte #205 - Col. Centro	(222) 246 3714
QUERETARO, QRO Av. San Roque 274 - Col. San Gregorio	(442) 2 17 63 14
SAN LUIS POTOSI, SLP Av. Universidad 1525 - Col. San Luis	(444) 814 2383

TORREON, COAH

Blvd. Independencia, 96 Pte. - Col. Centro

(871) 716 5265

VERACRUZ, VER

Prolongación Díaz Mirón #4280 - Col. Remes

(229) 921 7016

VILLAHERMOSA, TAB

Constitución 516-A - Col. Centro

(993) 312 5111

PARA OTRAS LOCALIDADES:**Si se encuentra en México, por favor llame al (55) 5326 7100****Si se encuentra en U.S., por favor llame al
1-800-433-9258 (1-800 4-DEWALT)**

Especificaciones	D21002	D21007	D21008	D21009
Tensión de alimentación	120 V CA~	120 V CA~	120 V CA~	120 V CA~
Consumo de corriente:	6,0 A	6,0 A	6,0 A	6,0 A
Frecuencia de operación:	50-60 Hz	50-60 Hz	50-60 Hz	50-60 Hz
Potencia nominal:	675 W	675 W	675 W	675 W
Rotación sin carga:	0-2 500/min	0-2 500/min	0-2 500/min	0-2 500/min

Especificaciones	DWD110	DWD112	DWD115
Tensión de alimentación	120 V CA~	120 V CA~	120 V CA~
Consumo de corriente:	7,0 A	7,0 A	8,0 A
Frecuencia de operación:	50/60 Hz	50/60 Hz	50/60 Hz
Potencia nominal:	785 W	785 W	900 W
Rotación sin carga:	0-2 500/min	0-2 500/min	0-2 500/min

SOLAMENTE PARA PROPÓSITO DE MÉXICO:
 IMPORTADO POR: DeWALT S.A. DE C.V.
 BOSQUES DE CIDROS, ACCESO RADIATAS NO.42
 3A. SECCIÓN DE BOSQUES DE LAS LOMAS
 DELEGACIÓN CUAJIMALPA,
 05120, MÉXICO, D.F.
 TEL. (52) 555-326-7100
 R.F.C.: BDE810626-1W7

Para servicio y ventas consulte
"HERRAMIENTAS ELECTRICAS"
 en la sección amarilla.



Free Manuals Download Website

<http://myh66.com>

<http://usermanuals.us>

<http://www.somanuals.com>

<http://www.4manuals.cc>

<http://www.manual-lib.com>

<http://www.404manual.com>

<http://www.luxmanual.com>

<http://aubethermostatmanual.com>

Golf course search by state

<http://golfingnear.com>

Email search by domain

<http://emailbydomain.com>

Auto manuals search

<http://auto.somanuals.com>

TV manuals search

<http://tv.somanuals.com>