

# Introduction

Thank you for purchasing the Kodak Professional 8670 PS thermal printer (8670 printer). This printer is a thermal dye diffusion device with superior printing speed. It contains a 133 MHz MIPS processor, has a resolution of 300 pixels per inch (ppi), and prints a three-color page in about 75 seconds. Printed images are high-contrast and long lasting. Kodak Ektatherm XtraLife ribbon (available in three-color or black) applies a coating that protects images from fingerprints.

Operator's Guide

Printing  
Guide

Color Management

Calibration

Network  
Interface Guide

Overview  
Setting up the Printer  
Operating the Printer  
Troubleshooting  
Site Specifications  
Accessories  
Customizing the  
Printer

## Media and Image Size

The printer can print on the following sizes and types of Kodak Ektatherm XLS print paper and transparency material.

[Refer to “Kodak thermal paper types, sizes, and image size”](#) for illustrations of the maximum image size for each.

### Media and Image Sizes

Paper/Transparency Size	Maximum Image Size	Catalog Numbers
8.5 x 11 (216 x 279 mm) - A paper and transparency material	8.0 x 8.93 (204 x 240 mm)	861 4364 852 6618
8.27 x 11.69 (210 x 297 mm) - A4 paper and transparency material	8.0 x 9.6 (204 x 246 mm)	881 6514 850 3005
8.5 x 12 (216 x 307 mm) - A (long) paper and transparency material	8 x 10 (204 x 256 mm)	868 4623 853 4059
8.27 x 12 (210 x 307 mm) - A4 (long) paper and transparency material	8 x 10 (204 x 246 mm)	875 1596 871 7001
8.5 x 14 (216 x 358 mm) - A paper and transparency material	8 x 12 (204 x 307 mm)	868 5699 852 9679
8.27 x 14 (210 x 358 mm) - A4 (xlong) paper and transparency material	8 x 12 (204 x 307 mm)	807 5640 861 0651

## Media and Image Sizes

Paper/Transparency Size	Maximum Image Size	Catalog Numbers
9.5 x 14 (241 x 358 mm) - paper only —Photographic grade —Commercial grade —Publication grade	8.5 x 12 (216 x 307 mm)	867 7759 158 1198 881 1663

Operator's Guide

Printing  
Guide

Color Management

Calibration

Network  
Interface Guide

Overview

Setting up the Printer

Operating the Printer

Troubleshooting

Site Specifications

Accessories

Customizing the  
Printer

---

## Interfaces

Standard communication ports are provided. In addition, the optional Kodak network interface card lets you tie your printer into networks using Ethernet cabling.

The following interfaces are provided with the printer.

- IEEE-1284 Parallel
- SCSI

The following Ethernet interfaces are provided by the 10/100 MB network interface card.

---

### Ethernet Interfaces

Interface Type	Version
EtherTalk	Phase II
Novell NetWare	The following versions of Novell NetWare for Clients: NetX, VLM, and MSIPX.
TCP/IP	lpr

Operator's Guide

Printing  
Guide

Color Management

Calibration

Networking  
Interface Guide

Overview

Setting up the Printer

Operating the Printer

Troubleshooting

Site Specifications

Accessories

Customizing the  
Printer

## Printing Software

The printing software developed for the 8670 printer is based on high-quality Kodak photographic printing methods. The color-rendering processes that evolved are highly sophisticated. Using the drivers and the export module allows you to access advanced printing options based on Kodak color science.

The printing software is provided for use with the following operating systems:

- Windows 3.11
- Windows 95
- Windows NT 4.0
- Macintosh 7.5.5 or later

Additional printer drivers are available through third party developers. For third party products, refer to the *KODAK Third Party Digital Imaging Solutions Catalog* on the Kodak Web site at <http://www.kodak.com>. Search on solutions catalog.

An export module is provided for use with the following operating systems:

- Windows 95
- Windows NT 4.0 Workstation
- Windows NT 4.0 Server

Operator's Guide

Printing  
Guide

Color Management

Calibration

Network  
Interface Guide

Overview

Setting up the Printer

Operating the Printer

Troubleshooting

Site Specifications

Accessories

Customizing the  
Printer

- Macintosh System 7.5.5 or later

Operator's Guide

Printing  
Guide

Color Management

Calibration

Network  
Interface Guide

Overview

Setting up the Printer

Operating the Printer

Troubleshooting

Site Specifications

Accessories

Customizing the  
Printer

# Setting up the Printer

This chapter explains how to set up the printer. The steps are:

- Finding an appropriate location for the printer
- Unpacking the printer
- Cleaning the printer
- Cleaning the print head
- Loading the ribbon
- Loading the media
- Connecting the cables
- Connecting the power cord and turning the printer on
- Checking the printer settings
- Making a test print

The software for the printer, which enables you to take full advantage of the printer's capabilities, is on the CD-ROM shipped with the printer. After you set up the printer, you should install the software you plan to use.

For information on installing the software, refer to the *Quicksetup* information card that came with your printer.

Operator's Guide

Printing  
Guide

Color Management

Calibration

Network  
Interface Guide

Overview

▶ Setting up the Printer

Operating the Printer

Troubleshooting

Site Specifications

Accessories

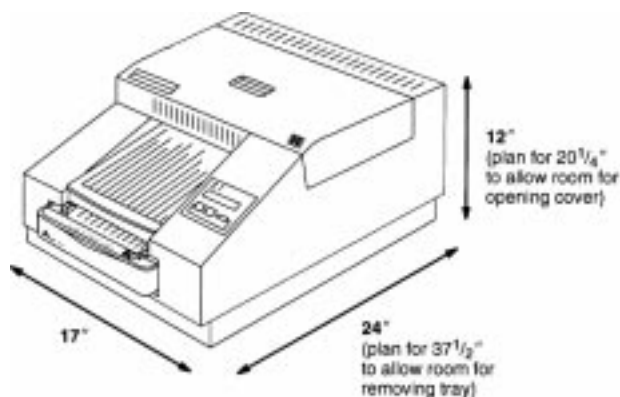
Customizing the  
Printer

## Finding a Location for the Printer

As you look for an appropriate location for the printer, keep the following guidelines in mind. [Refer to "Site Specifications"](#) for requirements.

- Allow two inches (about 5 cm) on all sides of the printer for easy access.
- Place the printer so that air flow is not blocked.
- Airborne dirt particles can cause image quality problems. Avoid placing the printer in areas where ventilation ducts, open doors, or frequent passers-by might expose the printer and media to high levels of debris.

The space requirements for the printer are shown below.



Operator's Guide

Printing  
Guide

Color Management

Calibration

Network  
Interface Guide

Overview

Setting up the Printer

Operating the Printer

Troubleshooting

Site Specifications

Accessories

Customizing the  
Printer



# Unpacking the Printer

The following items are included with the printer. If any are missing, contact your dealer.

- Paper tray
- Power cords (3)
- Plastic dust cover
- Accessory kit with:
  - 4 thermal head cleaning pads
  - SCSI terminator
  - Picker roller cleaning kit (includes 10 water pads)
  - Protective cover (blue)
  - CDs containing user's guides in Spanish, French, German, and English, in Adobe Acrobat (PDF) format. It contains Adobe Acrobat software for accessing, viewing, and printing the guides and the software for the printer. In addition, the CD contains Kodak Professional ColorFlow ICC color connector software for managing color reproduction, as well as PANTONE<sup>®</sup>\* calibrated pallets.

\*PANTONE Inc.'s check - standard trademark for color reproduction and color reproduction materials.

Operator's Guide

Printing  
Guide

Color Management

Calibration

Network  
Interface Guide

Overview

Setting up the Printer

Operating the Printer

Troubleshooting

Site Specifications

Accessories

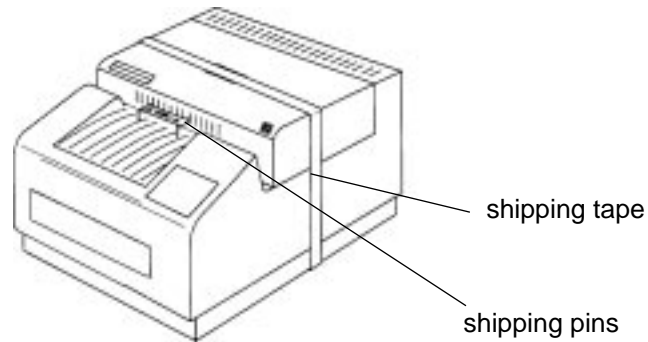
Customizing the  
Printer

To unpack the printer:

1. Remove the printer from the shipping carton.

**CAUTION:** The printer is heavy. We recommend that two people lift and carry it.

2. Remove the printer from the plastic bag.
3. Remove the shipping tape from the printer cover.



Operator's Guide

Printing  
Guide

Color Management

Calibration

Network  
Interface Guide

Overview

Setting up the Printer

Operating the Printer

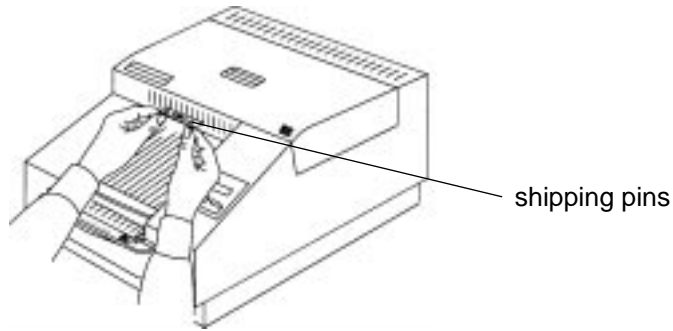
Troubleshooting

Site Specifications

Accessories

Customizing the  
Printer

4. Carefully pull out the shipping pins.



**CAUTION:** Remove the shipping pins before you use the printer.

**IMPORTANT:** Save the packaging and the shipping pins in case you need to ship the printer.

Operator's Guide

Printing  
Guide

Color Management

Calibration

Network  
Interface Guide

Overview

Setting up the Printer

Operating the Printer

Troubleshooting

Site Specifications

Accessories

Customizing the  
Printer

## Cleaning the Print Head

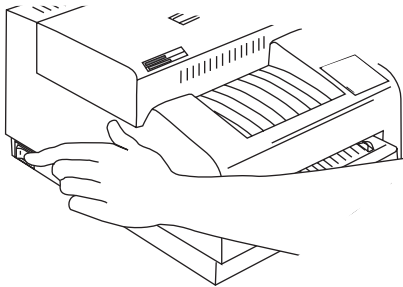
To avoid lines or streaks in your prints, clean the print head before using it for the first time and whenever you replace the ribbon. If your site is particularly dusty, you may need to clean the head more often.

**CAUTION:** Always use the cleaning pad provided with the ribbon spool to clean the print head.

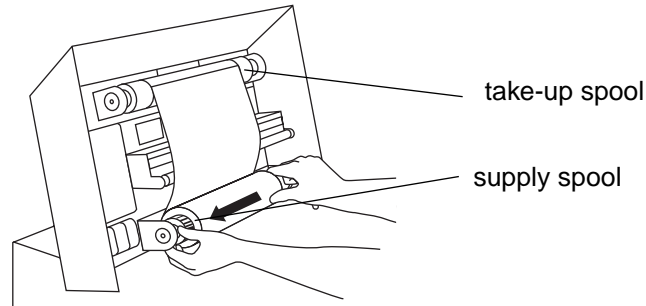
**Never rub or wipe anything across the thermal head accept when cleaning it.**

To clean the print head:

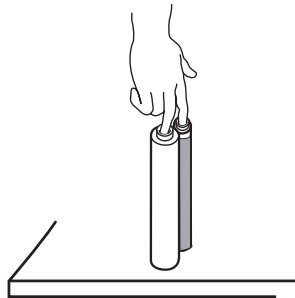
1. Turn off the printer and open the cover.



2. Remove the supply spool, and wrap it tightly upward. Remove the take-up spool. DO NOT touch the ribbon.



3. Remove both spools, and stand them upright on a freshly cleaned surface.



Operator's Guide

Printing  
Guide

Color Management

Calibration

Network  
Interface Guide

Overview

Setting up the Printer

Operating the Printer

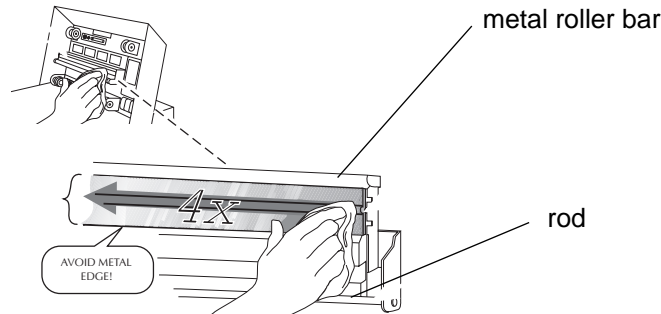
Troubleshooting

Site Specifications

Accessories

Customizing the  
Printer

4. To clean the print head, first use the water pad and then use the alcohol pad. With each pad, wipe along the heater line four times:
  - Wipe the full length of the glass area (always in one direction).
  - Use a clean part of the pad for each wipe.
  - Apply firm, even pressure.
  - Wipe the metal roller bar and rod as shown.



5. Allow the glass area to dry for about two minutes.
6. **If reloading the ribbon**, load the supply spool first (with the bar code on the left). If the ribbon gets dirty or is damaged, wind the take-up spool ahead to the next clean magenta section.  
**If loading a new ribbon**, refer to the instructions on the ribbon package.
7. Close the printer cover, and turn the printer *On*.

## Loading the Ribbon

The ribbon provides dyes for printing images. The three-color ribbon contains three dye patches: yellow, magenta, and cyan. Each three-color ribbon contains enough dye to make 100 prints, except the three-color, oversize, extra-life ribbon contains enough dye to make 85 prints.

The four-color ribbon contains four dye patches: yellow, magenta, cyan, and black. Each four-color ribbon contains enough dye to make 85 prints.

The black ribbon contains only black dye patches. Each black ribbon contains enough dye to make 150 prints.

Kodak Ektatherm XLS three-color ribbon / XtraLife media and Kodak Ektatherm XLS black ribbon / XtraLife media contain additional patches that protect images from fingerprints.

Operator's Guide

Printing  
Guide

Color Management

Calibration

Network  
Interface Guide

Overview

Setting up the Printer

Operating the Printer

Troubleshooting

Site Specifications

Accessories

Customizing the  
Printer

## Handling the Ribbon

- Hold the ribbon spools by the ends to avoid fingerprints. Fingerprints on the ribbon web severely reduce image quality.
- Wear lint-free gloves when working with the ribbon.
- Do not expose the ribbon to direct sunlight, extreme heat, dust, or liquids.
- Leave the printer cover closed except when you need to access the inside of the printer.

## Storing the Ribbon

For highest image quality, store ribbon as follows:

- Store unopened ribbon at temperatures below 77°F (24°C). Avoid exposure to temperatures higher than 100°F (38°C).
- Wrap partially used ribbons in their original wrappers to protect them from dust and dirt when they are not in the printer. Dust and dirt specks on the ribbon show up as much larger spots on prints.

Operator's Guide

Printing  
Guide

Color Management

Calibration

Network  
Interface Guide

Overview

▶ Setting up the Printer

Operating the Printer

Troubleshooting

Site Specifications

Accessories

Customizing the  
Printer



# Loading the Ribbon into the Printer

The ribbon fits easily in the printer. There is only one way to correctly place the spools.

Follow these steps to load a ribbon:

**IMPORTANT:** *Hold the ribbon spools by the ends to avoid fingerprints. Also, wear lint-free gloves when handling ribbon spools.*

1. Remove the old ribbon spools, and dispose of them.

**NOTE:** Images remain on the ribbon after printing. If you are working with confidential documents you may need to consider alternate ways of disposing of the ribbon to maintain security.

2. Clean the print head. [Refer to “Cleaning the Print Head”](#) for instructions.
3. Remove the new ribbon spools from the box.

The supply spool is longer than the take-up spool. For new ribbons, the supply spool is loaded with ribbon, and the take-up spool is empty.

4. Push the left side of the take-up spool into the left side of the top spool holder. (The holders are spring loaded.)
5. Match the notches in the take-up spool with the notches on the right spool holder.
6. Insert the right side of the take-up spool into the holder.

Operator's Guide

Printing  
Guide

Color Management

Calibration

Network  
Interface Guide

Overview

Setting up the Printer

Operating the Printer

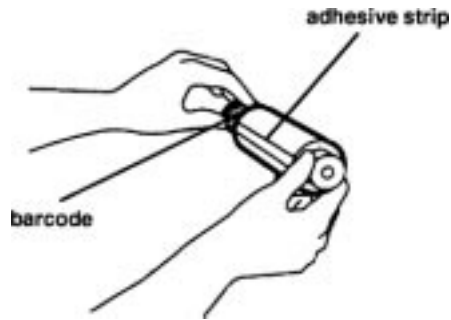
Troubleshooting

Site Specifications

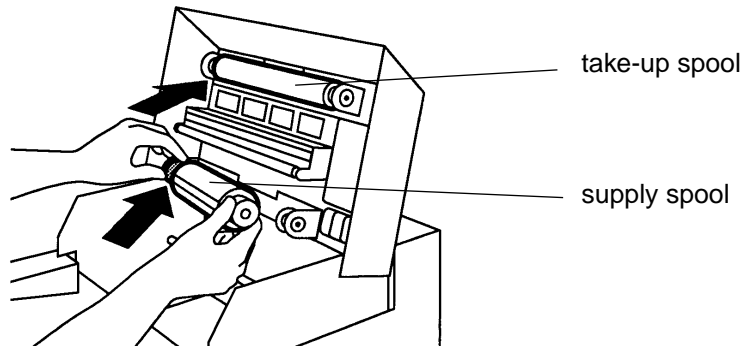
Accessories

Customizing the  
Printer

7. Hold the supply spool so that the adhesive strip on the ribbon is facing you and the bar code is on the left.



8. Push the left side of the supply spool into the left side of the bottom spool holder. (The holders are spring loaded.)



Operator's Guide

Printing  
Guide

Color Management

Calibration

Network  
Interface Guide

Overview

Setting up the Printer

Operating the Printer

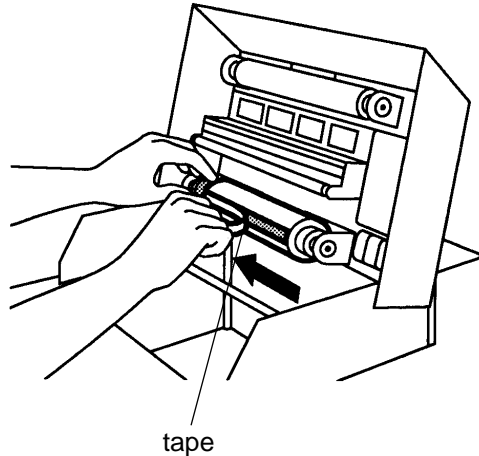
Troubleshooting

Site Specifications

Accessories

Customizing the  
Printer

9. Match the notches in the supply spool with the notches on the right spool holder.
10. Insert the right side of the supply spool into the holder.
11. Remove the tape from the adhesive strip.



12. Hold any excess ribbon behind the adhesive strip.

Operator's Guide

Printing  
Guide

Color Management

Calibration

Network  
Interface Guide

Overview

Setting up the Printer

Operating the Printer

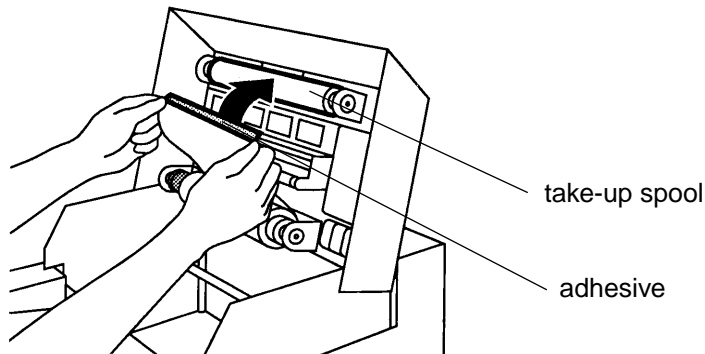
Troubleshooting

Site Specifications

Accessories

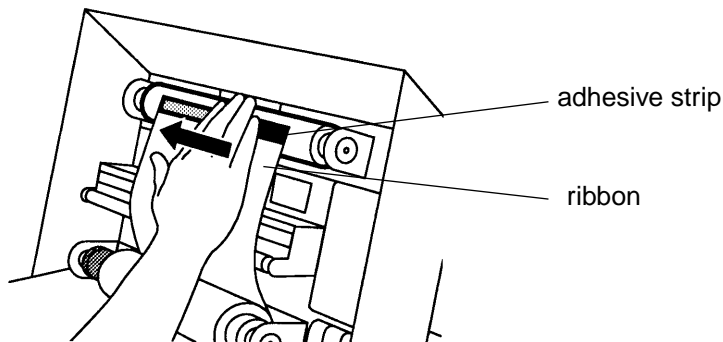
Customizing the  
Printer

- 13.** Pull the ribbon up carefully, and stick the adhesive onto the take-up spool.



**NOTE:** Keep the ribbon as straight as possible.

- 14.** Smooth the ribbon over the adhesive strip.



Operator's Guide

Printing  
Guide

Color Management

Calibration

Network  
Interface Guide

Overview

Setting up the Printer

Operating the Printer

Troubleshooting

Site Specifications

Accessories

Customizing the  
Printer

15. Wind the take-up spool **away from you** several times. The first full set of dye patches is not used for printing.
16. Close the printer cover.

Operator's Guide

Printing  
Guide

Color Management

Calibration

Network  
Interface Guide

Overview

▶ Setting up the Printer

Operating the Printer

Troubleshooting

Site Specifications

Accessories

Customizing the  
Printer

# Media

## Handling Media

When handling paper and transparencies, follow these guidelines:

- Hold the paper by the edges to avoid fingerprints which reduce print quality.
- Handle the package of paper with the cardboard stiffener sheets in place.
- Keep the bottom stiffener board in place when handling stacks of media to avoid fingerprints on the printing surface.
- Do not use wet or damaged stock.
- Keep the lid on the paper tray and the paper tray inserted in the printer to protect it from exposure to light, dust, or dirt.

## Storing Media

For highest image quality, follow these storage instructions:

- Store opened media at temperatures below 77°F (25°C). Avoid exposure to temperatures higher than 100°F (38°C).
- Avoid storing loose stacks of media out of their wrappers.

Operator's Guide

Printing  
Guide

Color Management

Calibration

Network  
Interface Guide

Overview

Setting up the Printer

Operating the Printer

Troubleshooting

Site Specifications

Accessories

Customizing the  
Printer

## Loading Media

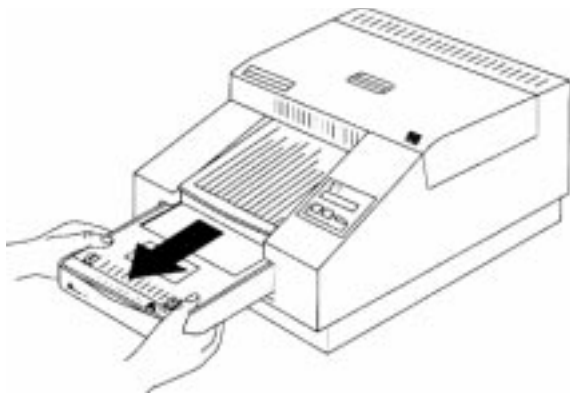
Thermal media—paper and transparencies—come in various sizes. [Refer to “Working with Media”](#) for complete information about types and sizes of media.

The paper tray adjusts to the size of the media you want to load. Do not force media that is too long or wide into the tray.

**IMPORTANT:** *Use only trays designed for the Kodak Professional 8670 thermal printer. Using other trays may cause paper jams, especially when you are printing images that do not take up the maximum image area of the receiver.*

Contact your dealer for trays in a size other than the one supplied with the printer. [Refer to “Accessories”](#) for catalog numbers.

1. Remove the paper tray.



Operator's Guide

Printing  
Guide

Color Management

Calibration

Network  
Interface Guide

Overview

Setting up the Printer

Operating the Printer

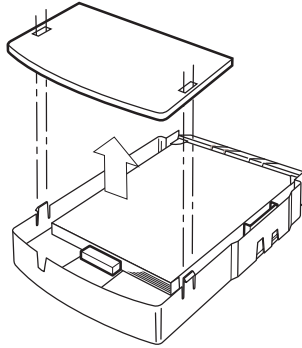
Troubleshooting

Site Specifications

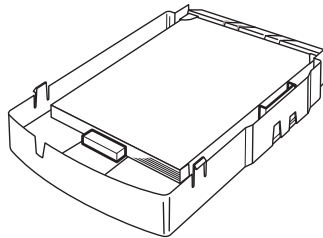
Accessories

Customizing the  
Printer

2. Press and hold the tabs that come through the top of the lid and then remove the lid.



3. Make sure the media size settings on the tray match and that they are correct for the media you are going to load. If necessary, adjust the settings as follows:
  - Look through the opening on the side of the tray at the sensor label. This label shows the current media size setting.



Operator's Guide

Printing  
Guide

Color Management

Calibration

Network  
Interface Guide

Overview

Setting up the Printer

Operating the Printer

Troubleshooting

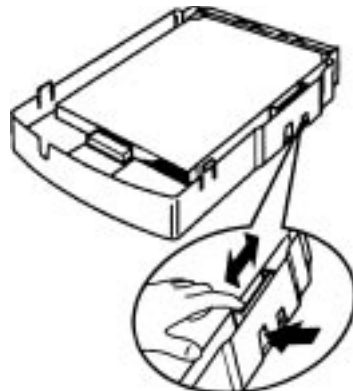
Site Specifications

Accessories

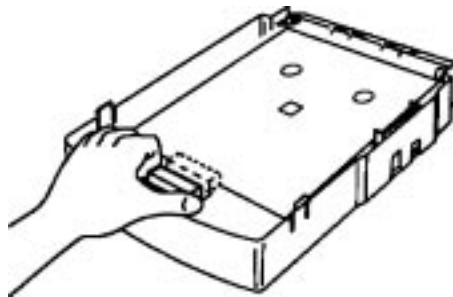
Customizing the  
Printer



- Move the media-length slider on the inside of the tray until the desired size appears in the opening.



- Make sure the tabs in the media-length stop (the piece that fits against the installed media) are inserted in the correct slots on the bottom of the tray. For example, if you set the media-length slider at 8.5 x 12, insert the tabs in the 8.5 x 12 slots.



Operator's Guide

Printing  
Guide

Color Management

Calibration

Network  
Interface Guide

Overview

▶ Setting up the Printer

Operating the Printer

Troubleshooting

Site Specifications

Accessories

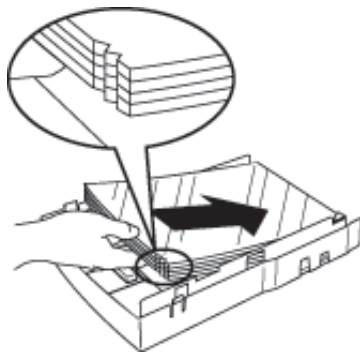
Customizing the  
Printer

4. Remove the media from the package. Leave the blue stiffener sheet on the bottom of the stack in place.

**IMPORTANT:** *Handle the media by the edges to avoid fingerprints on the top sheet.*

5. **If you are loading paper**, place the paper, logo side up, in the tray.

**CAUTION:** **If you are loading transparencies**, place the stack into the tray with the orientation notch on the lower right side and the blue stiffener sheet on the bottom.



Operator's Guide

Printing  
Guide

Color Management

Calibration

Network  
Interface Guide

Overview

▶ Setting up the Printer

Operating the Printer

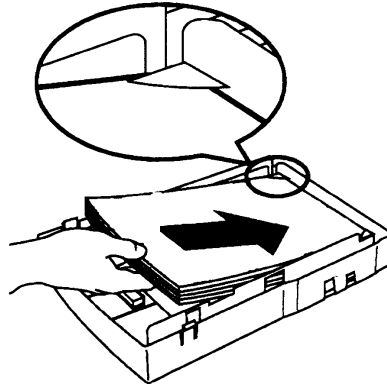
Troubleshooting

Site Specifications

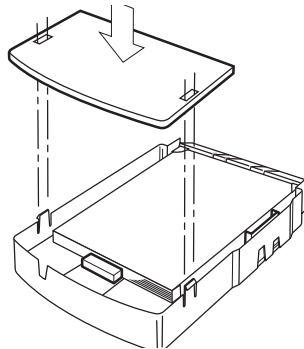
Accessories

Customizing the  
Printer

Make sure the front corners of the stack are under the triangular metal tabs.



**6.** Put the lid back on.



**7.** Make sure the latches on the sides of the tray lock into place in the lid. Slide the tray into the printer until it locks into place.

**8.** Verify that the correct media size appears in the display panel.

Operator's Guide

Printing  
Guide

Color Management

Calibration

Network  
Interface Guide

Overview

Setting up the Printer

Operating the Printer

Troubleshooting

Site Specifications

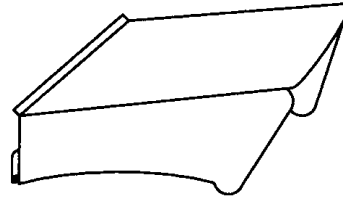
Accessories

Customizing the  
Printer

## Putting the Dust Cover On

To help prevent dirt-related problems, keep the plastic dust cover in place when you are using the printer.

Attach the dust cover to the printer in the first slot from the left and the second slot from the right.



Operator's Guide

Printing  
Guide

Color Management

Calibration

Network  
Interface Guide

Overview

▶ Setting up the Printer

Operating the Printer

Troubleshooting

Site Specifications

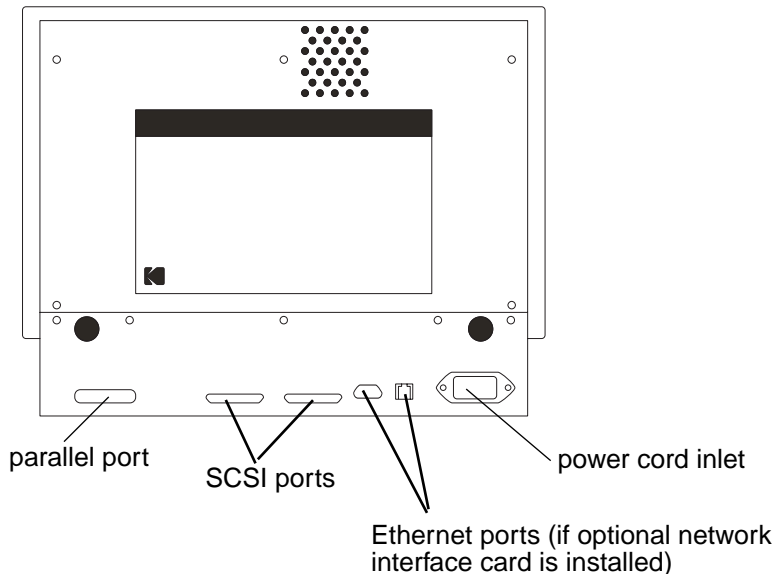
Accessories

Customizing the  
Printer

## Connecting the Cables

You must provide the necessary interface cables. Three power cords (North America/Japan, Europe Continental, and Australia) are included. If you are using the printer outside of these areas, you may need to purchase a power cord.

Standard communication ports are provided. Ethernet ports are in place if the optional network interface card is installed.



The **submini 50-pin (Female) SCSI II ports** can be used for printing. A 50-pin submini SCSI II terminator is included with the printer.

**Ethernet 10BaseT/100BaseTX (RJ45)** ports are active if the optional network interface card is installed.

If the optional network interface card is installed, Ethernet cabling is used. Refer to the *Network Interface Guide*.

Operator's Guide

Printing  
Guide

Color Management

Calibration

Network  
Interface Guide

Overview

▶ Setting up the Printer

Operating the Printer

Troubleshooting

Site Specifications

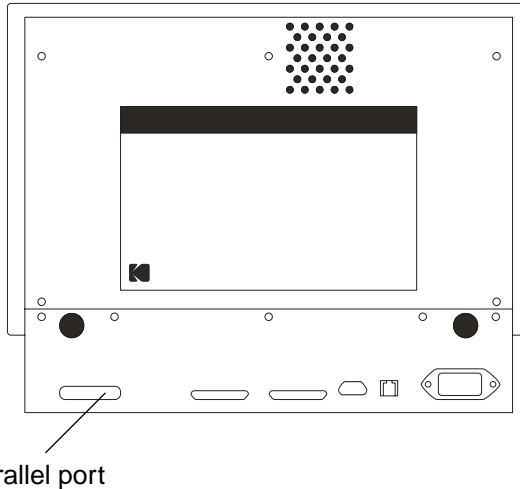
Accessories

Customizing the  
Printer

## Connecting a Parallel Cable

To attach a parallel (Centronics) cable:

1. Make sure your computer is turned *On* and the printer is turned *Off*.
2. Connect the female end (no pins) of the cable to the printer's parallel port.



3. Connect the 25-pin end of the cable to the computer's parallel port.
4. Connect the power cord.
5. Press the power switch on the side of the printer to turn it on.

Operator's Guide

Printing  
Guide

Color Management

Calibration

Network  
Interface Guide

Overview

Setting up the Printer

Operating the Printer

Troubleshooting

Site Specifications

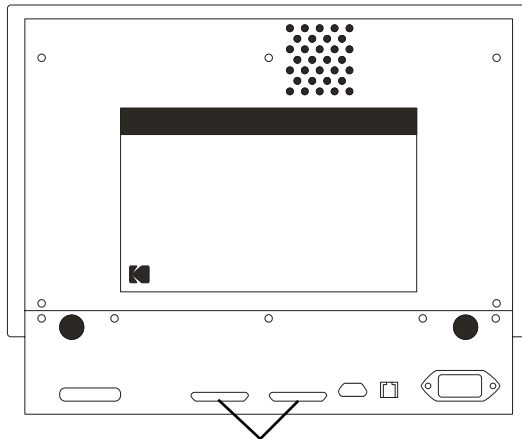
Accessories

Customizing the  
Printer

## Connecting a SCSI Cable

To connect a SCSI cable:

1. Make sure that both the printer and the computer are turned *Off*.
2. To change the SCSI ID, [refer to “About Specifying Port Information”](#).
3. Connect and secure the SCSI cable to one of the SCSI ports.



SCSI ports

4. Connect and secure the SCSI terminator to the open SCSI port (or to the last device when daisy-chaining multiple devices.)
5. Connect the power cord.
6. Press the power switch on the side of the printer. When **READY** appears on the printer display panel, turn the computer *On*.

Operator's Guide

Printing  
Guide

Color Management

Calibration

Network  
Interface Guide

Overview

Setting up the Printer

Operating the Printer

Troubleshooting

Site Specifications

Accessories

Customizing the  
Printer

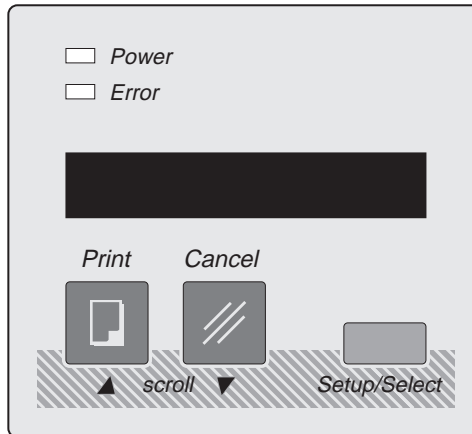


## Checking and Changing Printer Settings

Before you make a test print, the last step in setting up the printer, make sure that the printer settings are correct for the media you just loaded.

This section describes only how to check and set the media options. For complete information about printer settings, [refer to "Working With the Printer Settings"](#).

You use the buttons on the printer's display panel (shown below) to look at and change the printer settings.



# Changing the Media Settings

## Changing the Media Type

The printer has three media type settings: Paper, Transparency, and Draft. (The faster draft setting lets you proof your transparencies.) The Paper setting is the factory default.

If you loaded transparencies in the paper tray, you must change the media type to transparency to print a test print. Do the following steps to change the media type to Transparency:

1. Press *Setup/Select* when READY appears in the display panel.
2. Press *Print* to scroll up (or *Cancel* to scroll down) through the settings until SETUP:DEFAULTS appears.
3. Press *Setup/Select* to access the DEFAULTS options.
4. Press *Cancel* until DEFAULTS:MEDIA appears.
5. Press *Setup/Select* to access the DEFAULTS:MEDIA options.
6. Press *Cancel* until DEFAULTS:MEDIA TYPE appears.
7. Press *Setup/Select* to access the MEDIA TYPE options.  
The default media type, PAPER, has an asterisk (\*) next to it. The asterisk indicates which option is selected.
8. Press *Cancel* until the desired media type—TRANSPARENCY or DRAFT—appears.

Operator's Guide

Printing  
Guide

Color Management

Calibration

Network  
Interface Guide

Overview

Setting up the Printer

Operating the Printer

Troubleshooting

Site Specifications

Accessories

Customizing the  
Printer

9. Press *Setup/Select* to choose the desired media type. The default media type has an asterisk (\*) next to it. The asterisk indicates which option is selected.
10. Press *Cancel* until TYPE:EXIT appears.
11. Press *Setup/Select* to exit MEDIA TYPE.
12. Press *Cancel* until MEDIA: EXIT appears.
13. Press *Setup/Select* to exit MEDIA mode.
14. Press *Cancel* until DEFAULTS: EXIT appears.
15. Press *Setup/Select* to exit DEFAULTS mode.
16. Press *Cancel* until SETUP EXIT appears.
17. Press *Setup/Select* to exit setup mode.

The just-selected option is effective as soon as you exit Setup mode.

### Changing the Paper Color

You can print a test print on three paper colors: Photographic, Commercial, and Publication. Photographic, which represents standard, white stock, is the factory default.

If you load Commercial or Publication paper in the paper tray, you need to change the MEDIA:COLOR option. Do the following steps to change the media color option:

1. Press *Setup/Select* when READY appears in the display panel.

2. Press *Print* to scroll down (or *Cancel* to scroll up) through the settings until **SETUP:DEFAULTS** appears.
3. Press *Setup/Select* to access the **DEFAULTS** options.
4. Press *Cancel* until **DEFAULTS:MEDIA** appears.
5. Press *Setup/Select* to access the **DEFAULTS MEDIA** option.
6. Press *Cancel* until **DEFAULTS:MEDIA COLOR** appears.
7. Press *Setup/Select* to access the **MEDIA COLOR** options.  
The default media type, **STANDARD**, has an asterisk (\*) next to it. The asterisk indicates which option is selected.
8. Press *Cancel* until the desired media type—**COM.** or **PUB.**—appears.
9. Press *Setup/Select* to choose the desired media type.  
The default media type has an asterisk (\*) next to it.  
The asterisk indicates which option is selected.
10. Press *Cancel* until **MEDIA COLOR:EXIT** appears.
11. Press *Setup/Select* to exit **MEDIA COLOR**.
12. Press *Cancel* until **DEFAULTS:EXIT** appears.
13. Press *Setup/Select* to exit **DEFAULTS** mode.
14. Press *Cancel* until **SETUP:EXIT** appears.
15. Press *Setup/Select* to exit setup mode.

The just-selected option is effective as soon as you exit setup mode.

## About Printer Initialization

When you turn the printer on, it takes up to a minute for the printer to initialize (start up and perform a self check). During this time, the power light on the display panel illuminates, and the messages below alternate on the display panel:

INITIALIZING\*

INITIALIZING\*\*  
PLEASE WAIT

When the printer is ready, the READY message appears on the display panel, displaying the “READY” line, ribbon installed line, and paper installed line.

Operator's Guide

Printing  
Guide

Color Management

Calibration

Network  
Interface Guide

Overview

Setting up the Printer

Operating the Printer

Troubleshooting

Site Specifications

Accessories

Customizing the  
Printer

## If the Printer Does Not Initialize

If the printer fails to initialize, the message ENGINE READY appears on the panel. Turn the printer *Off* and then back *On*.

If the ENGINE READY message appears again, turn off both the printer and the computer. Disconnect all cables from the printer, except the power cable. Turn on the printer. If the ENGINE READY message appears again, call for service.

If the ENGINE READY message is cleared, then the problem could be in the cable connections.

Operator's Guide

Printing  
Guide

Color Management

Calibration

Network  
Interface Guide

Overview

▶ Setting up the Printer

Operating the Printer

Troubleshooting

Site Specifications

Accessories

Customizing the  
Printer

## Making a Test Print

Making a test print helps you verify proper printer setup and operation, and confirms print quality.

To make a test print:

1. Make sure that READY appears on the display panel.
2. Press *Print* on the display panel.

It takes less than three minutes to make a test print. While the image is being processed and printed, the messages PROCESSING:TEST PRINT and PRINTING appear on the display panel.

**CAUTION:** During printing, the media partially exits the printer multiple times. Do not pull the print. Wait for the print to exit completely before touching it.

The printer expects the loaded media to match the media type specified using the DEFAULTS:MEDIA option on the display panel. If, for example, the printer expects paper, and transparency material is loaded, a mismatch message will appear. If you choose to make the test print using incorrect media by pressing the Print button, the print will not have proper color reproduction for that media type.

Operator's Guide

Printing  
Guide

Color Management

Calibration

Network  
Interface Guide

Overview

Setting up the Printer

Operating the Printer

Troubleshooting

Site Specifications

Accessories

Customizing the  
Printer

---

## What's Next?

Install the CD that came with the printer to install the printing software.

Operator's Guide

Printing  
Guide

Color Management

Calibration

Network  
Interface Guide

Overview

▶ Setting up the Printer

Operating the Printer

Troubleshooting

Site Specifications

Accessories

Customizing the  
Printer



# Operating the Printer

This chapter provides the information you need to operate the 8670 printer. It includes:

- Looking at the display panel
- Working with the printer settings
- Printing from computer applications
- Scheduling jobs
- Handling and storing prints and transparencies
- Keeping the printer in good working order
- Using the printer

Operator's Guide

Printing  
Guide

Color Management

Calibration

Network  
Interface Guide

Overview

Setting up the Printer

▶ Operating the Printer

Troubleshooting

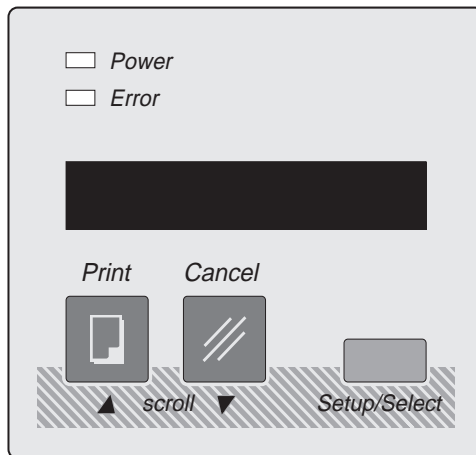
Site Specifications

Accessories

Customizing the  
Printer

# Looking at the Display Panel

The printer panel is shown below.



The following two **indicator lights** show the status of the printer:

- Power light—illuminates when the printer is turned *On*.
- Error light—illuminates when an error occurs. A message describing the error appears in the display panel. The light remains on until you respond to all messages.

When the error light glows steadily, you can correct the problem yourself. When the error light flashes, a system error message appears in the display panel. Turn the printer off and then back on. If the message persists, service is required.

Operator's Guide

Printing  
Guide

Color Management

Calibration

Network  
Interface Guide

Overview

Setting up the Printer

Operating the Printer

Troubleshooting

Site Specifications

Accessories

Customizing the  
Printer

**Messages** appear on the display panel one line at a time. Messages longer than 16 characters are divided into 16-character alternating sections.

Types of messages are:

- Printer status messages—show the size of the media in the paper tray and the type of ribbon that is loaded. This information displays when the printer is idle.
- Job-related messages—show status of the job closest to completion.
- Media-related messages—show the types of media and ribbon loaded.
- Error messages—appear when the paper tray is empty, when the printer cover is open, or when errors occur.

Use the **Print** and **Cancel** buttons to set printing options, cancel jobs, override mismatches, and generate test prints.

Use the Cancel button as follows:

- To terminate the job that is closest to completion. For example, you may have a job printing and a job processing. If you press *Cancel*, the job being printed is ended immediately. No additional pages in that job are printed, and the page currently being printed is ejected. If you press *Cancel* again, the next job is cancelled if one exists.
- In combination with Setup/Select to scroll through the Setup menu.

**NOTE:** If the printer is idle and a valid image is in the image buffer (indicated by an asterisk), pressing *Cancel* erases the image.

Operator's Guide

Printing  
Guide

Color Management

Calibration

Network  
Interface Guide

Overview

Setting up the Printer

▶ Operating the Printer

Troubleshooting

Site Specifications

Accessories

Customizing the  
Printer

Use the Print button as follows:

- To reprint a valid job that is still in the image buffer.

**NOTE:** If you press *Print* when there is a valid job still in the image buffer (indicated by an asterisk on the right side of the display panel when READY is displayed), the last page printed will print again. If an asterisk is not displayed, a test print is generated.

- To generate a test print when the printer is idle.
- To begin printing after a mismatch occurs. For more information, [“When Mismatches Occur”](#).
- In combination with Setup/Select to scroll through the Setup menu.

Use the **Setup/Select** button to enter the Setup mode and change the way the printer is set up. [Refer to “Working With the Printer Settings”](#) for complete information.

Operator’s Guide

Printing  
Guide

Color Management

Calibration

Network  
Interface Guide

Overview

Setting up the Printer

▶ Operating the Printer

Troubleshooting

Site Specifications

Accessories

Customizing the  
Printer

## Working With the Printer Settings

You view and change the printer settings using the printer's Setup mode.

The following table lists the printer settings and options and describes each option. It also shows the factory default for each setting.

### Printer Settings

Setting	Options	Description	Factory Default
Port (Parallel)	Mode - Normal and Binary	Determines if the parallel port accepts data in normal PostScript language, Adobe binary, or tagged binary mode. In normal mode, only printable characters are accepted; characters in high ASCII range (128-255) are not accepted. Binary mode supported high ASCII range; full eight-bit data may be sent.	Normal
Port (Parallel Type)	---->> or <<---->>	<ul style="list-style-type: none"> <li>• Select ----&gt; to enable the uni-directional parallel mode.</li> <li>• Select &lt;&lt;----&gt; to enable the bi-directional parallel mode.</li> </ul>	---->>
Port (Parallel Status)	Yes or No	<ul style="list-style-type: none"> <li>• Select <b>Yes</b> to enable the Kodak bi-directional status reporting option.</li> <li>• Select <b>No</b> to disable the Kodak bi-directional status reporting option.</li> </ul>	No

## Printer Settings

Setting	Options	Description	Factory Default
Port (IPX)	802.2, 802.3, SNAP, ETHERNET 2, AUTOSELECT	Specifies the framing type the printer should expect.	AUTO-SELECT
Port (TCP/IP)	Fill in IP Address in following format:  nnn.nnn.nnn.nnn	Sets up the Internet address of the printer within a TCP/IP network.	000.000.00 0.000
Port (SCSI)	Target ID 0 - 7	Specifies the printer's SCSI address.	5
Defaults (Media type)	Paper, Transparency, Draft	<ul style="list-style-type: none"><li>• Select <b>Paper</b> if paper is loaded in the tray.</li><li>• Select <b>Transparency</b> to print high-density transparencies.</li><li>• Select <b>Draft</b> for faster printing and proofing of transparencies.</li></ul>	Paper
Defaults (Factory)	Reset	Lets you restore the printer settings to their factory default values. <i><b>IMPORTANT:</b> If the network interface card is installed, resetting to the factory defaults may cause network printing problems.</i>	

Operator's Guide

Printing Guide

Color Management

Calibration

Network Interface Guide

Overview  
Setting up the Printer  
▶ Operating the Printer  
Troubleshooting  
Site Specifications  
Accessories  
Customizing the Printer

## Printer Settings

Setting	Options	Description	Factory Default
Defaults (Media color)	Photographic, Commercial, Publication	Media color choices allow you to print proofs that approximate the color and hue of the final press stock. <ul style="list-style-type: none"><li>• Select <b>Standard</b> to print on standard white stock.</li><li>• Select <b>Commercial</b> to simulate collateral applications.</li><li>• Select <b>Publication</b> to simulate magazine applications.</li></ul>	Standard
Default (ColorCN)	Status, Reset, Enable Yes, Enable No	<ul style="list-style-type: none"><li>• Select Status to display the resident default Color Connector transforms.</li><li>• Select Reset to delete the default Color Connector transforms.</li><li>• Select Enable Yes to enable the default Color Connector transforms.</li><li>• Select Enable No to disable the default Color Connector transforms.</li></ul>	Enable No
Language	English, Francais, Deutsch, Espanol, Italiano	The display panel messages can appear in English, French, German, Spanish, or Italian.	English

Operator's Guide

Printing Guide

Color Management

Calibration

Network Interface Guide

Overview

Setting up the Printer

Operating the Printer

Troubleshooting

Site Specifications

Accessories

Customizing the Printer

CONTENTS

INDEX

SEARCH

HELP

## Printer Settings

Setting	Options	Description	Factory Default
Status (Version)	Version, Version HW	<ul style="list-style-type: none"><li>• Select <b>Version</b> to display the printer software version.</li><li>• Select <b>Version HW</b> to display the printer hardware version.</li></ul>	
Status (Counts)	Paper, Trans, Total	<ul style="list-style-type: none"><li>• Select <b>Paper</b> to display the number of paper pages that have been printed.</li><li>• Select <b>Trans</b> to display the number of transparency pages that have been printed.</li><li>• Select <b>Total</b> to display the Total number of pages that have been printed.</li></ul>	
Status (User)		Displays the last 32 user correctable error codes and their corresponding page counts.	
Status (Service)		Displays the last 32 fatal errors and their corresponding page counts	

Operator's Guide

Printing Guide

Color Management

Calibration

Network Interface Guide

Overview

Setting up the Printer

Operating the Printer

Troubleshooting

Site Specifications

Accessories

Customizing the Printer



## Working in Setup Mode

**To enter Setup mode:** Press *Setup/Select* while the printer is idle.

**To scroll through the settings:** Press *Print* to scroll up, *Cancel* to scroll down. You scroll through the settings continuously.

**To select an option:** When you find the setting whose options you wish to view, press *Setup/Select*. An asterisk (\*) next to an option means it is selected.

**To exit setup mode:** Select *SETUP:EXIT*. Most changes you make take effect as soon as you exit Setup mode. The exceptions are when you return the settings to the factory defaults and parallel type. In the default cases, the printer restarts itself when you exit Setup mode. Changes are effective immediately afterward.

**To restore the printer settings to their factory settings:** Press *Setup/Select* when *SETUP:DEFAULTS* appears. Select *FACTORY:RESET* to restore all the printer settings to their factory settings.

**IMPORTANT:** *If the network interface card is installed, restoring the settings to their factory values may cause network printing problems.*

Operator's Guide

Printing  
Guide

Color Management

Calibration

Network  
Interface Guide

Overview

Setting up the Printer

Operating the Printer

Troubleshooting

Site Specifications

Accessories

Customizing the  
Printer

## About Specifying Port Information

The options you select must match your host computer settings.

The following PORTS submenus are available when a network interface card is installed:

- PORTS:IPX—lets you specify the framing type to expect when using Novell Netware
- PORTS:TCP/IP—lets you enter the Internet address of the printer network interface card within a TCP/IP network

For complete information, refer to the *Network Interface Guide*.

### Specifying the Printer's SCSI ID

The SCSI ID default value is 5.

Select an ID that is not in use on the SCSI bus for any other purpose. For example, do not use the SCSI ID for your hard drive (0 for Macintosh computers, 7 for computers running Microsoft Windows). Similarly, do not use the ID of a scanner connected to the computer.

Operator's Guide

Printing  
Guide

Color Management

Calibration

Network  
Interface Guide

Overview

Setting up the Printer

Operating the Printer

Troubleshooting

Site Specifications

Accessories

Customizing the  
Printer

## Working with Media

This section describes the media—paper and transparency material—used with the printer. It also lists handling and storage guidelines.

Thermal paper looks and feels like photographic paper, but it is not light sensitive. The back is imprinted with the Kodak logo. The paper is shipped in 100-sheet packages.

**CAUTION:** Use only media designed for use in the 8670 Printer. Using other materials may cause printer problems.

Kodak Ektatherm XLS print paper, available in several sizes, is available in three grades:

- Photographic grade—used for photographic applications
- Commercial grade—used for collateral applications
- Publication grade—used to simulate magazine applications

Operator's Guide

Printing  
Guide

Color Management

Calibration

Network  
Interface Guide

Overview

Setting up the Printer

▶ Operating the Printer

Troubleshooting

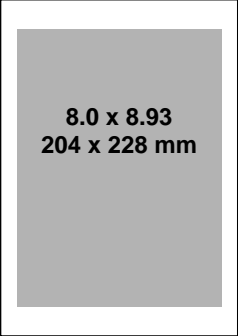
Site Specifications

Accessories

Customizing the  
Printer

The following table lists each paper type and size, lists which ribbons you can use with each time, and shows the maximum image size for each paper type.

### Kodak thermal paper types, sizes, and image size

Type of Paper	Paper Size	Type of Ribbon	Maximum Image Size
Kodak Ektatherm XLS print paper / photographic grade <b>CAT No.</b> 861 4364	8.5 x 11 (216 x 279 mm)	Kodak Ektatherm XLS three-color ribbon / CMY <b>CAT No.</b> 163 0474 Kodak Ektatherm XLS black ribbon / XtraLife media <b>CAT No.</b> 857 0152 Kodak Ektatherm XLS three-color ribbon / XtraLife media / CMY <b>CAT No.</b> 807 6135 Kodak Ektatherm XLS four-color ribbon / CMYK <b>CAT No.</b> 879 2939	 <p>8.0 x 8.93 204 x 228 mm</p>

Operator's Guide

Printing Guide

Color Management

Calibration

Network Interface Guide

Overview

Setting up the Printer

Operating the Printer

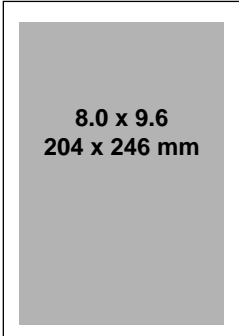
Troubleshooting

Site Specifications

Accessories

Customizing the Printer

## Kodak thermal paper types, sizes, and image size

Type of Paper	Paper Size	Type of Ribbon	Maximum Image Size
Kodak Ektatherm XLS print paper / photographic grade <b>CAT No.</b> 881 6514	8.27 x 11.69 (210 x 297 mm)	Kodak Ektatherm XLS three-color ribbon / CMY <b>CAT No.</b> 163 0474 Kodak Ektatherm XLS black ribbon / XtraLife media <b>CAT No.</b> 857 0152 Kodak Ektatherm XLS three-color ribbon / XtraLife media / CMY <b>CAT No.</b> 807 6135 Kodak Ektatherm XLS four-color ribbon / CMYK <b>CAT No.</b> 879 2939	 <p>8.0 x 9.6 204 x 246 mm</p>

Operator's Guide

Printing Guide

Color Management

Calibration

Network Interface Guide

Overview

Setting up the Printer

Operating the Printer

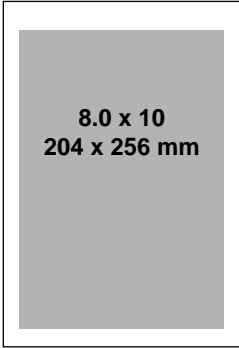
Troubleshooting

Site Specifications

Accessories

Customizing the Printer

## Kodak thermal paper types, sizes, and image size

Type of Paper	Paper Size	Type of Ribbon	Maximum Image Size
Kodak Ektatherm XLS print paper / photographic grade <b>CAT No.</b> 868 4623	8.5 x 12 (216 x 307 mm)	Kodak Ektatherm XLS three-color ribbon / CMY <b>CAT No.</b> 163 0474 Kodak Ektatherm XLS black ribbon / XtraLife media <b>CAT No.</b> 857 0152 Kodak Ektatherm XLS three-color ribbon / XtraLife media / CMY <b>CAT No.</b> 807 6135 Kodak Ektatherm XLS four-color ribbon / CMYK <b>CAT No.</b> 879 2939	 <p>8.0 x 10 204 x 256 mm</p>

Operator's Guide

Printing Guide

Color Management

Calibration

Network Interface Guide

Overview

Setting up the Printer

Operating the Printer

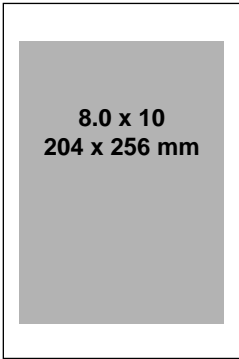
Troubleshooting

Site Specifications

Accessories

Customizing the Printer

## Kodak thermal paper types, sizes, and image size

Type of Paper	Paper Size	Type of Ribbon	Maximum Image Size
Kodak Ektatherm XLS print paper / photographic grade <b>CAT No.</b> 875 1596	8.27 x 12 (210 x 307 mm)	Kodak Ektatherm XLS three-color ribbon / CMY <b>CAT No.</b> 163 0474 Kodak Ektatherm XLS black ribbon / XtraLife media <b>CAT No.</b> 857 0152 Kodak Ektatherm XLS three-color ribbon / XtraLife media / CMY <b>CAT No.</b> 807 6135 Kodak Ektatherm XLS four-color ribbon / CMYK <b>CAT No.</b> 879 2939	 <p>8.0 x 10 204 x 256 mm</p>

Operator's Guide

Printing Guide

Color Management

Calibration

Network Interface Guide

Overview

Setting up the Printer

Operating the Printer

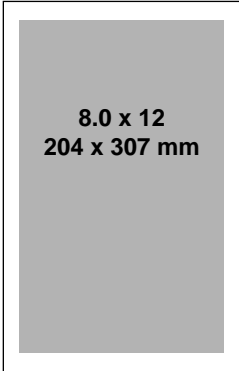
Troubleshooting

Site Specifications

Accessories

Customizing the Printer

## Kodak thermal paper types, sizes, and image size

Type of Paper	Paper Size	Type of Ribbon	Maximum Image Size
Kodak Ektatherm XLS print paper / photographic grade <b>CAT No.</b> 856 5699	8.5 x 14 (216 x 358 mm)	Kodak Ektatherm XLS oversize three-color ribbon / CMY <b>CAT No.</b> 821 4082 Kodak Ektatherm XLS oversize three-color ribbon / XtraLife media / CMY <b>CAT No.</b> 801 3716 Kodak Ektatherm XLS black ribbon / XtraLife media <b>CAT No.</b> 857 0152Kodak Ektatherm XLS four-color ribbon / CMYK <b>CAT No.</b> 879 2939	 <p>8.0 x 12 204 x 307 mm</p>

Operator's Guide

Printing  
Guide

Color Management

Calibration

Network  
Interface Guide

Overview

Setting up the Printer

Operating the Printer

Troubleshooting

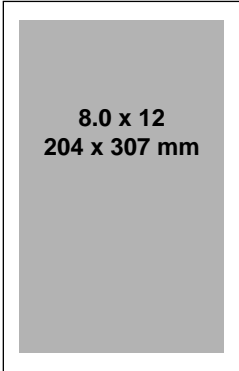
Site Specifications

Accessories

Customizing the  
Printer



## Kodak thermal paper types, sizes, and image size

Type of Paper	Paper Size	Type of Ribbon	Maximum Image Size
Kodak Ektatherm XLS print paper / photographic grade <b>CAT No.</b> 807 5640	8.27 x 14 (210 x 358 mm)	Kodak Ektatherm XLS oversize three-color ribbon / CMY <b>CAT No.</b> 821 4082 Kodak Ektatherm XLS oversize three-color ribbon / XtraLife media / CMY <b>CAT No.</b> 801 3716 Kodak Ektatherm XLS black ribbon / XtraLife media <b>CAT No.</b> 857 0152 Kodak Ektatherm XLS four-color ribbon / CMYK <b>CAT No.</b> 879 2939	 <p>8.0 x 12 204 x 307 mm</p>

Operator's Guide

Printing  
Guide

Color Management

Calibration

Network  
Interface Guide

Overview

Setting up the Printer

Operating the Printer

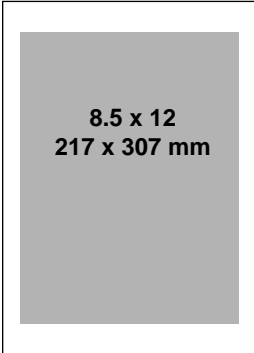
Troubleshooting

Site Specifications

Accessories

Customizing the  
Printer

## Kodak thermal paper types, sizes, and image size

Type of Paper	Paper Size	Type of Ribbon	Maximum Image Size
Kodak Ektatherm XLS print paper / photographic grade <b>CAT No.</b> 867 7759 commercial grade <b>CAT No.</b> 158 1198 publication grade <b>CAT No.</b> 881 1663	9.5 x 14 (243 x 358 mm)	Kodak Ektatherm XLS oversize three-color ribbon / CMY <b>CAT No.</b> 821 4082 Kodak Ektatherm XLS oversize three- color ribbon / XtraLife media / CMY <b>CAT No.</b> 801 3716 Kodak Ektatherm XLS black ribbon / XtraLife media <b>CAT No.</b> 857 0152 Kodak Ektatherm XLS four-color ribbon / CMYK <b>CAT No.</b> 879 2939	 <p>8.5 x 12 217 x 307 mm</p>

Operator's Guide

Printing  
Guide

Color Management

Calibration

Network  
Interface Guide

Overview

Setting up the Printer

Operating the Printer

Troubleshooting

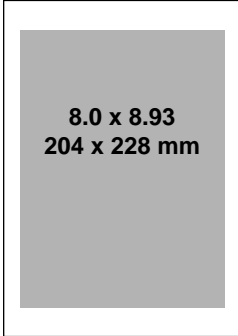
Site Specifications

Accessories

Customizing the  
Printer

The following shows the sizes and maximum image size for Kodak Ektatherm XLS transparency material. The table also shows which ribbons can be used with each size of transparency material.

**Kodak thermal transparency material, sizes, and image size**

Transparency Material	Size	Type of Ribbon	Maximum Image Size
Kodak Ektatherm XLS transparency material <b>CAT No. 852 6618</b>	8.5 x 11 (216 x 279 mm)	Kodak Ektatherm XLS three-color ribbon / CMY <b>CAT No. 887 3945</b> Kodak Ektatherm XLS black ribbon / XtraLife media* <b>CAT No. 857 0152</b> Kodak Ektatherm XLS three-color ribbon / XtraLife media / CMY* <b>CAT No. 873 3925</b> Kodak Ektatherm XLS four-color ribbon / CMYK <b>CAT No. 879 2939</b>	 <p style="text-align: center;">8.0 x 8.93 204 x 228 mm</p>

Operator's Guide

Printing Guide

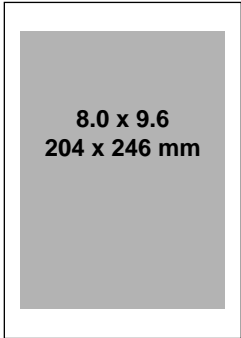
Color Management

Calibration

Network Interface Guide

- Overview
- Setting up the Printer
- ▶ Operating the Printer
- Troubleshooting
- Site Specifications
- Accessories
- Customizing the Printer

## Kodak thermal transparency material, sizes, and image size

Transparency Material	Size	Type of Ribbon	Maximum Image Size
Kodak Ektatherm XLS transparency material <b>CAT No.</b> 850 3005	8.27 x 11.69 (210 x 297 mm)	Kodak Ektatherm XLS three-color ribbon / CMY <b>CAT No.</b> 887 3945 Kodak Ektatherm XLS black ribbon / XtraLife media* <b>CAT No.</b> 857 0152 Kodak Ektatherm XLS three-color ribbon / XtraLife media / CMY* <b>CAT No.</b> 873 3925 Kodak Ektatherm XLS four-color ribbon / CMYK <b>CAT No.</b> 879 2939	

Operator's Guide

Printing Guide

Color Management

Calibration

Network Interface Guide

Overview

Setting up the Printer

Operating the Printer

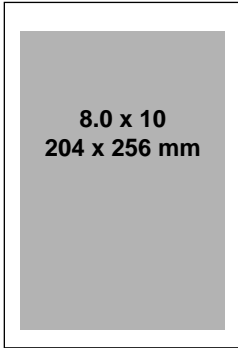
Troubleshooting

Site Specifications

Accessories

Customizing the Printer

## Kodak thermal transparency material, sizes, and image size

Transparency Material	Size	Type of Ribbon	Maximum Image Size
Kodak Ektatherm XLS transparency material <b>CAT No.</b> 853 4059	8.5 x 12 (216 x 307 mm)	Kodak Ektatherm XLS three-color ribbon / CMY <b>CAT No.</b> 163 0474 Kodak Ektatherm XLS black ribbon / XtraLife media* <b>CAT No.</b> 857 0152 Kodak Ektatherm XLS three-color ribbon / XtraLife media / CMY* <b>CAT No.</b> 807 6135 Kodak Ektatherm XLS four-color ribbon / CMYK <b>CAT No.</b> 879 2939	 <p style="text-align: center;"><b>8.0 x 10</b> <b>204 x 256 mm</b></p>

Operator's Guide

Printing Guide

Color Management

Calibration

Network Interface Guide

Overview

Setting up the Printer

Operating the Printer

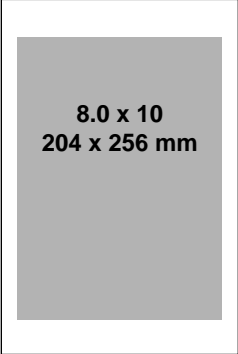
Troubleshooting

Site Specifications

Accessories

Customizing the Printer

## Kodak thermal transparency material, sizes, and image size

Transparency Material	Size	Type of Ribbon	Maximum Image Size
Kodak Ektatherm XLS transparency material <b>CAT No.</b> 871 7001	8.27 x 12 (210 x 307 mm)	Kodak Ektatherm XLS three-color ribbon / CMY <b>CAT No.</b> 163 0474 Kodak Ektatherm XLS black ribbon / XtraLife media* <b>CAT No.</b> 857 0152 Kodak Ektatherm XLS three-color ribbon / XtraLife media / CMY* <b>CAT No.</b> 807 6135 Kodak Ektatherm XLS four-color ribbon / CMYK <b>CAT No.</b> 879 2939	 <p>8.0 x 10 204 x 256 mm</p>

Operator's Guide

Printing Guide

Color Management

Calibration

Network Interface Guide

Overview

Setting up the Printer

Operating the Printer

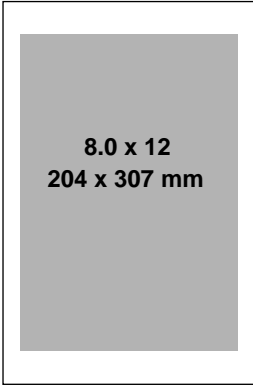
Troubleshooting

Site Specifications

Accessories

Customizing the Printer

## Kodak thermal transparency material, sizes, and image size

Transparency Material	Size	Type of Ribbon	Maximum Image Size
Kodak Ektatherm XLS transparency material <b>CAT No.</b> 852 9679	8.5 x 14 (216 x 358 mm)	Kodak Ektatherm XLS oversize three-color ribbon / CMY <b>CAT No.</b> 821 4082 Kodak Ektatherm XLS oversize three-color ribbon / XtraLife media / CMY* <b>CAT No.</b> 801 3716 Kodak Ektatherm XLS black ribbon / XtraLife media* <b>CAT No.</b> 857 0152 Kodak Ektatherm XLS four-color ribbon / CMYK <b>CAT No.</b> 879 2939	 <p style="text-align: center;">8.0 x 12 204 x 307 mm</p>

Operator's Guide

Printing  
Guide

Color Management

Calibration

Network  
Interface Guide

Overview

Setting up the Printer

Operating the Printer

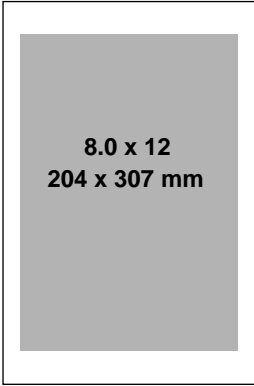
Troubleshooting

Site Specifications

Accessories

Customizing the  
Printer

## Kodak thermal transparency material, sizes, and image size

Transparency Material	Size	Type of Ribbon	Maximum Image Size
Kodak Ektatherm XLS transparency material <b>CAT No.</b> 861 0651	8.27 x 14 (210 x 358 mm)	Kodak Ektatherm XLS oversize three-color ribbon / CMY <b>CAT No.</b> 821 4082 Kodak Ektatherm XLS oversize three-color ribbon / XtraLife media / CMY* <b>CAT No.</b> 801 3716 Kodak Ektatherm XLS black ribbon / XtraLife media* <b>CAT No.</b> 857 0152 Kodak Ektatherm XLS four-color ribbon / CMYK <b>CAT No.</b> 879 2939	 <p>8.0 x 12 204 x 307 mm</p>

\*Only laminates to paper. When printing transparency material with XtraLife ribbon, the laminate patch is bypassed.

**NOTE:** [Refer to “Working with Media”](#) and [“Loading the Ribbon”](#).

Operator's Guide

Printing  
Guide

Color Management

Calibration

Network  
Interface Guide

Overview

Setting up the Printer

Operating the Printer

Troubleshooting

Site Specifications

Accessories

Customizing the  
Printer



# Printing from Computer Applications

You print through your applications using the printing software or the export module that came with the printer.

- For application-specific printing information, refer the User's Guide for the application.
- For information about printing with the 8670 printer, refer to the *Printing Guide*.

The time it takes to print an image depends on the application and on the type of image being printed. Some images take much longer to print than others. A file made up of lines generally takes less time to print than a file that is defined in bits, such as a scanned image.

As printing takes place, the paper moves through the imaging path multiple times. During this process, the paper partially exits the printer. Do not pull on the print. Wait until the print exits completely before touching it.

**NOTE:** For non-PostScript jobs, the last image you send from the Export Module remains in memory until you turn the printer *Off* or press *Cancel*.

Operator's Guide

Printing  
Guide

Color Management

Calibration

Network  
Interface Guide

Overview

Setting up the Printer

Operating the Printer

Troubleshooting

Site Specifications

Accessories

Customizing the  
Printer

## Scheduling Jobs

The number of jobs that can be queued to the printer at once depends on the memory available in the printer. If large files are sent, fewer jobs can be processed. Installing additional memory in the printer increases the number of jobs that can be processed at the same time.

If the printer is on a network, the network configuration affects job scheduling. When on a network, the printer polls the ports in a round robin manner. When it receives a job, it stops polling until the job is complete. The printer then looks to the next port in the list.

The position of the ports in the list affects the order in which jobs are processed. When a job is sent is not the only determinant of when it will be processed and printed.

Operator's Guide

Printing  
Guide

Color Management

Calibration

Networking  
Interface Guide

Overview

Setting up the Printer

Operating the Printer

Troubleshooting

Site Specifications

Accessories

Customizing the  
Printer

# Handling and Storing Prints and Transparencies

The image stability of thermal prints depends on factors such as temperature, relative humidity, and exposure to light or to biological or chemical contaminants. Using XtraLife ribbon increases print shelf life.

Your thermal images will last a long time if you handle and store them as described below.

- Handle prints as little as possible. When handling prints, make sure your hands are clean and free of food, oil, and grease. Wear clean gloves when possible, and hold prints by the edges.
- Store thermal prints and transparencies in a cool, dry environment free of chemical contamination.
- Avoid storing prints at temperatures higher than 72°F (25°C) for extended periods.
- A relative humidity between 30% and 50% is ideal.
- Avoid exposure to high-intensity light sources, particularly fluorescent light and sunlight, which are rich in ultraviolet radiation.
- Avoid exposure to vinyl items (those made of polyvinyl chloride [PVC]) or any plastic which contains plasticizer. These items usually have a distinct “plastic” odor. If you use transparency sleeves, make sure that they are not PVC-based.

Operator's Guide

Printing  
Guide

Color Management

Calibration

Network  
Interface Guide

Overview

Setting up the Printer

Operating the Printer

Troubleshooting

Site Specifications

Accessories

Customizing the  
Printer

## Cleaning the Printer

To help ensure good printer performance and high-quality output, make sure the printer's operating environment is clean and dust free.

Clean the printer regularly as described below.

Before you begin, turn the printer *Off* and unplug it.

- Clean the thermal head when you load a new ribbon or if you notice image quality problems.
- Wipe the printer cabinet, the paper tray area, and the output tray with distilled or de-ionized water and a damp, lint-free cloth. This eliminates dust build-up and prevents dirt from getting into the printer.

**CAUTION:** Never use abrasives or harsh chemicals to clean any part of the printer.

**Do not use the alcohol cleaning pads packaged with new ribbon to clean the printer cabinet.**

- Clean the area around and under the printer to keep dust out of the cooling fan.
- Vacuum the printer and the surrounding area to keep them dust free.

Operator's Guide

Printing  
Guide

Color Management

Calibration

Network  
Interface Guide

Overview

Setting up the Printer

Operating the Printer

Troubleshooting

Site Specifications

Accessories

Customizing the  
Printer

---

## Keeping the Printer in Good Working Order

To keep the printer in good working order:

- Keep the printer clean. Keep the surrounding area vacuumed and litter-free.
- Protect the printer from tobacco smoke, dust, sand, and liquid spills.
- Do not place objects on top of the printer.
- Do not keep anything under the printer. Doing so may block the fan on the bottom of the printer.

---

## Using the Printer

Follow these guidelines when working with the printer:

- Keep the plastic dust cover in place when operating the printer.
- Keep the blue protective cover in place when not using the printer.
- Remove prints from the output tray **ONLY AFTER** the printer ejects them.
- Do **NOT** put a print back into the output tray. Doing so can cause jams and loss of completed prints.
- Avoid loading more than 100 sheets of paper in the paper tray.

Printing  
Guide

Color Management

Calibration

Network  
Interface Guide

Overview

Setting up the Printer

▶ Operating the Printer

Troubleshooting

Site Specifications

Accessories

Customizing the  
Printer

# Troubleshooting

This chapter describes the problems you may occasionally have with the Kodak Professional 8670 PS thermal printer. It also tells how to solve these problems. This chapter contains the following sections.

- Error messages and how to resolve them
- What to do when mismatches occur
- What to do if the printer is not operating as it should
- Clearing the paper path
- Cleaning the pick rollers
- Cleaning the sensors
- Packing the printer
- Getting additional help

Operator's Guide

Printing  
Guide

Color Management

Calibration

Network  
Interface Guide

Overview

Setting up the Printer

Operating the Printer

▶ Troubleshooting

Site Specifications

Accessories

Customizing the  
Printer

# Error Messages and How to Resolve Them

Error messages indicate that a problem has occurred. More than one problem can occur at a time. However, only one error message appears at a time. Messages related to high priority problems are displayed before lower priority ones.

You must resolve problems in the order in which they appear. For example, a CLOSE COVER message may appear. After you close the cover, a paper mismatch message may appear. After you correct the mismatch, if there are no other errors, READY appears.

The following are common error messages:

- [“CHANGE RIBBON”](#)
- [“CHECK TRAY”](#)
- [“CLEAR PAPER PATH”](#)
- [“CLEAR RIBBON JAM”](#)
- [“CLOSE COVER”](#)
- [“INSERT TRAY”](#)
- [“LOAD PAPER/ LOAD TRANSPARENCY”](#)

Operator's Guide

Printing  
Guide

Color Management

Calibration

Network  
Interface Guide

Overview

Setting up the Printer

Operating the Printer

Troubleshooting

Site Specifications

Accessories

Customizing the  
Printer

# Machine Generated Error Codes

The following are machine generated error codes:

## Error Codes

Error Code	Description	Possible Solution
500	There is no receiver at the lead edge sensor when expected	<ol style="list-style-type: none"> <li>1. Verify that the correct media and ribbon are loaded.</li> <li>2. Clean the sensor. <a href="#">Refer to "Cleaning the Sensors"</a>.</li> <li>3. If the error persists, call for service.</li> </ol>
501	The receiver is stuck at the lead edge sensor	
502	The receiver size has changed without removing the tray	
503	Invalid tray size input	
510	The bar code label is not correct	
	The bar code sensor or FRU is malfunctioning	
511	The bar code label is not correct, or it has been damaged	
	The bar code sensor or FRU is malfunctioning	



## Error Codes

Error Code	Description	Possible Solution
600 - 603	There is a controller PROM or board failure	<ol style="list-style-type: none"><li>1. Power cycle the printer.</li><li>2. If the error persists, call for service.</li></ol>
608, 609, 60A, 60C	There is a problem with the thermal head/cable, or the controller printed circuit board	
610	There is a problem with the LCD or the controller printed circuit board	
618, 60B	There is a problem with the EPROM or the thermal head	
700	The inboard thermal head position sensor #2 is open	<ol style="list-style-type: none"><li>1. Open the top cover of the printer.</li><li>2. Power cycle the printer.</li><li>3. Close the top cover.</li><li>4. If the error persists, call for service.</li></ol>
701	The inboard thermal head position sensor #2 is blocked	
702	The outboard thermal head position sensor #1 is open	
703	The outboard thermal head position sensor #1 is blocked	

Operator's Guide

Printing Guide

Color Management

Calibration

Network Interface Guide

Overview

Setting up the Printer

Operating the Printer

Troubleshooting

Site Specifications

Accessories

Customizing the Printer

## Error Codes

Error Code	Description	Possible Solution
708	The donor patch sensing emitters are not sensing the donor	<ol style="list-style-type: none"><li>1. Turn the printer <i>Off</i>.</li><li>2. Disconnect all cables except the power cable.</li><li>3. Turn the printer <i>On</i>.</li><li>4. If the error:<ul style="list-style-type: none"><li>• persists, call for service.</li><li>• clears, the computer, cabling or software could be causing the problem.</li></ul></li></ol>
709	The donor sensors are not stable	
710 - 712	The DSP line time response times out	
718	There is a problem with the controller printed circuit board	
719	There is a problem with the thermal head/controller printed circuit board	
720, 721 1000 - 1FFF	There is a problem with the controller printed circuit board/cable	
730	There is a problem with the thermal head cooling	
733	There is a problem with the thermal head heater	
738, 739	There is a problem with the controller or RAM	

Operator's Guide

Printing  
Guide

Color Management

Calibration

Network  
Interface Guide

Overview

Setting up the Printer

Operating the Printer

Troubleshooting

Site Specifications

Accessories

Customizing the  
Printer

## Error Codes

Error Code	Description	Possible Solution
740 - 742	There is a problem with the program PROMS or the controller printed circuit board	<ol style="list-style-type: none"><li>1. Turn the printer <i>Off</i>.</li><li>2. Disconnect all cables except the power cable.</li><li>3. Turn the printer <i>On</i>.</li><li>4. If the error:<ul style="list-style-type: none"><li>• persists, call for service.</li><li>• clears, the computer, cabling or software could be causing the problem.</li></ul></li></ol>
748, 749, 74A - 74D	There is a PHM failure	
750 - 756	Unexpected write from DSP	
757	There is a DSP set verify failure	
760 - 773, 76A - 76F	There is a problem with the controller printed circuit board	
800 - 857	There is a general problem with the controller printed circuit board	
900 - 930, 090B - 094B	There is a problem with the DSP block or checksum	
SERVICE REQ XXX	An error occurred. The message includes a 4-digit error code.	

Operator's Guide

Printing Guide

Color Management

Calibration

Networking Interface Guide

Overview

Setting up the Printer

Operating the Printer

Troubleshooting

Site Specifications

Accessories

Customizing the Printer

---

## When Mismatches Occur

Mismatches result from differences in requested ribbon type, media type, or media size and the media resident in the printer.

### Ribbon Type Mismatch

If the print job specifies a ribbon type that is not loaded, a mismatch occurs. Ribbon mismatches result from:

- Lamination differences (for example, XtraLife ribbon is requested but is not loaded). For this situation, you can press *Print* to print the job with the currently loaded ribbon, but lamination will not occur.
- Image size differences (for example, a large image size is requested but an oversize ribbon is not loaded). For this situation, you must change the ribbon or press *Cancel* to cancel the job.
- Ribbon color differences (for example, black-only printing is requested but a color ribbon is loaded). For these situations, you must change the ribbon or press *Cancel* to cancel the job.

Operator's Guide

Printing  
Guide

Color Management

Calibration

Network  
Interface Guide

Overview

Setting up the Printer

Operating the Printer

Troubleshooting

Site Specifications

Accessories

Customizing the  
Printer

## Receiver Type Mismatch

If the print job specifies a media type that is not loaded (for example, paper is requested but transparency material is loaded), a mismatch occurs. You have three choices:

- Load the correct media type.
- Press *Print* to override the error without changing the media type.

**IMPORTANT:** *Printing without loading the correct media type may result in poor color reproduction.*

- Press *Cancel* to cancel the job.

## Receiver Size Mismatch

If the print job specifies a media size that is not loaded, a mismatch occurs. There are two types of size mismatches:

- The image size fits on the loaded media. You can load the correct size or print on the currently loaded media.
- The image size is larger than the loaded media. Change the media, or cancel the job.

Operator's Guide

Printing  
Guide

Color Management

Calibration

Network  
Interface Guide

Overview

Setting up the Printer

Operating the Printer

Troubleshooting

Site Specifications

Accessories

Customizing the  
Printer

## If the Printer is Not Operating Correctly

You may be able to identify or correct problems yourself. Follow the instructions for the problem you have, and make a test print to see if the problem is resolved. Use the following list to correct the problem. If the problem persists, service is required. [Refer to “Getting Additional Help”](#). to do this.

The following is a list of common printer problems:

- [“Printer does not turn on”](#)
- [“Printing takes much longer than usual”](#)
- [“Nothing happens when a job is sent”](#)
- [“White marks”](#)
- [“Multicolored spots appear on the prints”](#)
- [“Smudges, smears and fingerprints”](#)
- [“Printer initializes, but does not enter the READY state”](#)
- [“Paper does not feed”](#)
- [“Printer does not respond when you press buttons”](#)

Operator’s Guide

Printing  
Guide

Color Management

Calibration

Network  
Interface Guide

Overview

Setting up the Printer

Operating the Printer

Troubleshooting

Site Specifications

Accessories

Customizing the  
Printer

## Clearing the Paper Path

Paper may occasionally jam in the printer. Jams are typically identified by a CLEAR PAPER PATH or CHECK TRAY message.

To clear the paper path:

1. Open the printer cover.



**NOTE:** An automatic locking feature prevents you from opening the cover during printing. If you cannot open the cover, turn the printer *Off*, wait until the mechanisms are quiet, then turn the printer *On*. If you still cannot open the cover, service is required.

Operator's Guide

Printing  
Guide

Color Management

Calibration

Network  
Interface Guide

Overview

Setting up the Printer

Operating the Printer

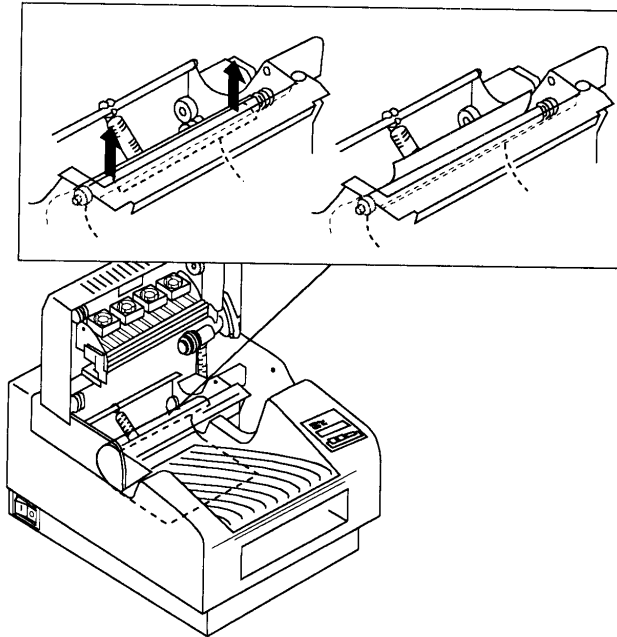
Troubleshooting

Site Specifications

Accessories

Customizing the  
Printer

2. If media is in the paper path, gently pull it up and out of the printer. Then close the printer cover.



3. If media is jammed in the paper tray area, remove the paper tray. Look through the tray insertion slot into the tray area.

Operator's Guide

Printing  
Guide

Color Management

Calibration

Network  
Interface Guide

Overview

Setting up the Printer

Operating the Printer

Troubleshooting

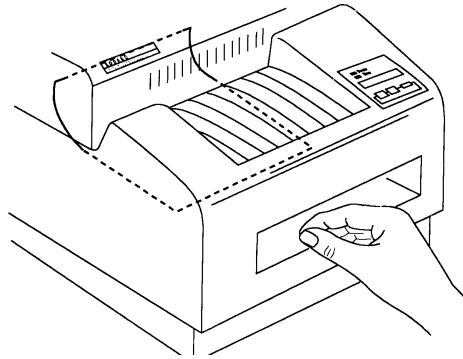
Site Specifications

Accessories

Customizing the  
Printer



4. Gently remove any jammed media from the paper tray area.



**NOTE:** If you cannot remove the media, service is required.

5. Slide the tray back into the printer.

Operator's Guide

Printing  
Guide

Color Management

Calibration

Network  
Interface Guide

Overview

Setting up the Printer

Operating the Printer

▶ Troubleshooting

Site Specifications

Accessories

Customizing the  
Printer

## Cleaning the Pick Rollers

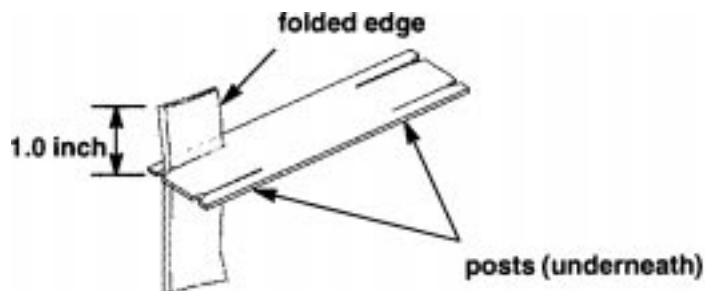
If the paper is not picked from the tray properly, the pick rollers may be dirty. Use two water pads and a pad holder to clean the rollers.

To clean the pick rollers:

1. Remove the water pad from the packet and fold it in half.



2. Insert the pad into the pad holder slot. About 1 inch of the pad should extend from the top, as shown.



Operator's Guide

Printing  
Guide

Color Management

Calibration

Network  
Interface Guide

Overview

Setting up the Printer

Operating the Printer

Troubleshooting

Site Specifications

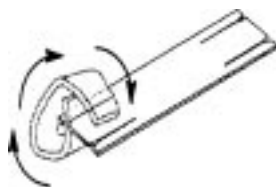
Accessories

Customizing the  
Printer

**NOTE:** The posts are on the bottom of the pad holder.



3. Wrap the longer end of the pad around the pad holder and insert it into the other pad slot.



4. Pull the edge of the pad to tighten it.



5. Repeat steps 1 - 4 for the other end of the pad holder.
6. Remove the paper tray from the printer.

Operator's Guide

Printing  
Guide

Color Management

Calibration

Network  
Interface Guide

Overview

Setting up the Printer

Operating the Printer

Troubleshooting

Site Specifications

Accessories

Customizing the  
Printer

7. Remove the cover from the tray.
8. Remove the media and blue stiffener sheet from the tray.
9. Set the media on a freshly cleaned surface.
10. Insert the prepared pad holder into the paper tray.

**NOTE:** The posts on the bottom of the pad holder fit into the holes near the front of the paper tray.

11. Load the paper tray back into the printer.
12. Press *Print* to make a test print.
13. Wait for the printer to cycle and for the error light on the display panel to illuminate.
14. Remove the tray from the printer, and then reinsert it.
15. Wait for the printer to cycle and for the error light to illuminate again.
16. Remove the tray.
17. Remove the prepared pad holder from the tray.
18. Press *Cancel* to cancel the test print.
19. Load the media and stiffener sheet into the tray, and put the lid back on.
20. Insert the tray in the printer.

**IMPORTANT:** *Wait about five minutes for the rollers to dry before using the printer.*

# Cleaning the Sensors

**IMPORTANT:** Before cleaning, turn the printer Off.

Follow these steps to clean the five ribbon sensors in the printer.

1. Locate the two sensors on top of and in the center of the print head. They are visible behind the ribbon.
2. Remove the ribbon.
3. Wipe the sensors with an alcohol pad.
4. Replace the ribbon.
5. To locate the next two sensors, look above where a finished print comes out for a steel plate with fringe. At the center of the plate, about one inch back and down the slope, is an oval cutout with the two receiver sensors.
6. Wipe the sensors with an alcohol pad.
7. To locate the fifth sensor, look at the lower ribbon spool. On the left hand is a bar code label. Immediately above the bar code label is a black box with wires coming out of it. The sensor is located on the bottom of that box (the side of the box that faces the bar code label).
8. Clean the sensor area with an alcohol pad.

Operator's Guide

Printing  
Guide

Color Management

Calibration

Network  
Interface Guide

Overview

Setting up the Printer

Operating the Printer

Troubleshooting

Site Specifications

Accessories

Customizing the  
Printer

# Repacking the Printer

If you need to ship the printer, pack it as follows:

1. Remove the media from the paper tray. Pack the paper tray in its original box.
2. Open the printer cover. Then remove the ribbon spools. Discard them or store them in their original box.

**CAUTION:** Insert the pins as described.

3. Insert the shipping pins as follows:
  - Insert the left pin through the seventh slot from the left.
  - Insert the right pin through the sixth slot from the right.

Operator's Guide

Printing  
Guide

Color Management

Calibration

Network  
Interface Guide

Overview

Setting up the Printer

Operating the Printer

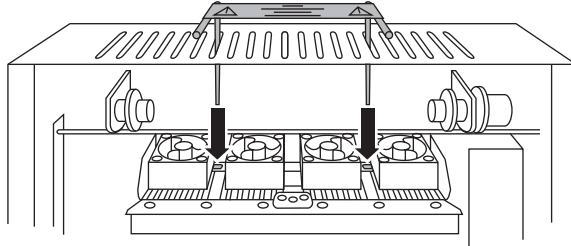
▶ Troubleshooting

Site Specifications

Accessories

Customizing the  
Printer

4. Push the pins until the ends protrude about 1 1/2 inches from the slot.



5. Close the printer cover.

Operator's Guide

Printing  
Guide

Color Management

Calibration

Network  
Interface Guide

Overview

Setting up the Printer

Operating the Printer

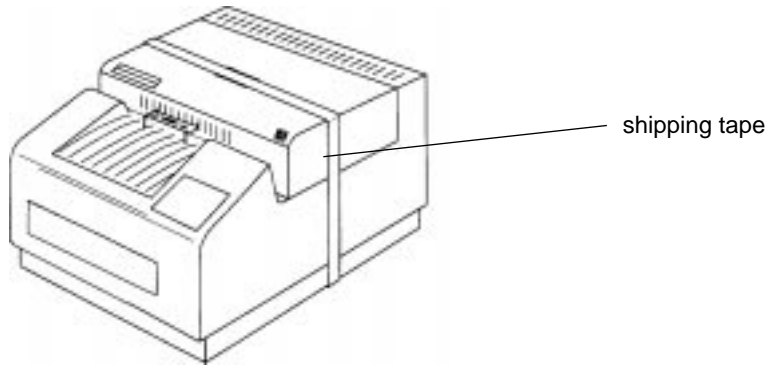
▶ Troubleshooting

Site Specifications

Accessories

Customizing the  
Printer

- Put appliance filament tape over the cover of the printer.  
The tape must cover the latch and run down both sides of the printer all the way to the bottom.



- Put the printer in its original plastic bag to keep it clean during shipping.
- Pack the printer in its original box.

Operator's Guide

Printing  
Guide

Color Management

Calibration

Network  
Interface Guide

Overview

Setting up the Printer

Operating the Printer

Troubleshooting

Site Specifications

Accessories

Customizing the  
Printer



## Getting Additional Help

Your Kodak dealer is the best source for information about your printer and about purchasing supplies and accessories.

In addition, technical support is also available on Kodak's Web site at [www.kodak.com](http://www.kodak.com). Call 1-800-23kodak (1-800-235-6325) from 9:00 a.m. to 8:00 p.m., Eastern Standard Time, on regular business days.

Help numbers for the Asia/Pacific and European regions are listed below.

Country	Country code	Helpline number
Australia	61	3 353 2173
Hong Kong	85	2 5649387
Indonesia	62	21 430 4527
Korea	82	02 708 5471 4
Malaysia	60	3 757 2722
Philippines	63	2 816 67 18
Singapore	65	4736611
Thailand	66	2 271 3040 x396
Taiwan	88	6 2 893 8234

Operator's Guide

Printing  
Guide

Color Management

Calibration

Network  
Interface Guide

Overview  
Setting up the Printer  
Operating the Printer  
Troubleshooting  
Site Specifications  
Accessories  
Customizing the  
Printer

Country	Country code	Helpline number
Belgium	32	02/2632400
Denmark	45	43/717111
Finland	358	90/87071
France	33	1/4989-0083
Germany	49	0711/406-5561
Italy	39	02/66028454
Netherlands	31	03405/99704
Norway	47	02/818181
Spain	34	91/6267100
Sweden	46	08/58023663
UK	44	044261122 Ext. 44239

Operator's Guide

Printing  
Guide

Color Management

Calibration

Network  
Interface Guide

Overview

Setting up the Printer

Operating the Printer

Troubleshooting

Site Specifications

Accessories

Customizing the  
Printer

# CHANGE RIBBON

Possible Cause	Possible Solution
The supply spool is empty.	Change the Ribbon. <a href="#">Refer to “Loading the Ribbon”</a> .
The ribbon's bar code cannot be read.	Check that the bar code is legible. If the message persists, service is required.
The wrong type of ribbon is loaded.	Load the correct type of ribbon. <a href="#">Refer to “Loading the Ribbon”</a> .

Operator's Guide

Printing  
Guide

Color Management

Calibration

Network  
Interface Guide

Overview

Setting up the Printer

Operating the Printer

Troubleshooting

Site Specifications

Accessories

Customizing the  
Printer

# CHECK TRAY

Possible Cause	Possible Solution
The tray is empty.	Load paper or transparencies. <a href="#">Refer to "Loading Media"</a> .
The tray is inserted improperly.	<ol style="list-style-type: none"><li>1. Remove the paper tray.</li><li>2. Insert the paper tray, making sure it is seated correctly.</li></ol>
There is a paper jam in the tray area.	Clear the paper path. <a href="#">Refer to "Clearing the Paper Path"</a> .
Check the level of the paper.	The maximum number of sheets is 100.
Check for dirty pick rollers.	Clean the pick rollers. <a href="#">Refer to "Cleaning the Pick Rollers"</a> .

Operator's Guide

Printing Guide

Color Management

Calibration

Network Interface Guide

Overview  
Setting up the Printer  
Operating the Printer  
Troubleshooting  
Site Specifications  
Accessories  
Customizing the Printer

# CLEAR PAPER PATH

Possible Cause	Possible Solution
A paper jam occurred.	Clear the paper path. <a href="#">Refer to “Clearing the Paper Path”</a> .

Operator’s Guide

Printing  
Guide

Color Management

Calibration

Network  
Interface Guide

Overview

Setting up the Printer

Operating the Printer

▶ Troubleshooting

Site Specifications

Accessories

Customizing the  
Printer

# CLEAR RIBBON JAM

Possible Cause	Possible Solution
The ribbon is jammed, possibly by a paper jam.	Press <i>Cancel</i> to eject the paper. If the message persists: <ol style="list-style-type: none"><li>1. Clear the paper jam. <a href="#">Refer to “Clearing the Paper Path”</a>.</li><li>2. If necessary, clear the ribbon jam.</li><li>3. Close the cover.</li><li>4. Remove the paper tray.</li><li>5. Clear the paper from the tray area.</li><li>6. Insert the tray.</li><li>7. Turn the printer <i>Off</i> and then back <i>On</i>.</li></ol> If the message still persists, service is required.

Operator's Guide

Printing Guide

Color Management

Calibration

Network Interface Guide

Overview

Setting up the Printer

Operating the Printer

Troubleshooting

Site Specifications

Accessories

Customizing the Printer

## CLOSE COVER

Possible Cause	Possible Solution
The printer cover is open.	Close the cover.

Operator's Guide

Printing  
Guide

Color Management

Calibration

Network  
Interface Guide

Overview  
Setting up the Printer  
Operating the Printer  
Troubleshooting  
Site Specifications  
Accessories  
Customizing the  
Printer

# INSERT TRAY

Possible Cause	Possible Solution
The paper tray is not in place.	Check that the paper tray is inserted and seated correctly.

Operator's Guide

Printing  
Guide

Color Management

Calibration

Network  
Interface Guide

Overview

Setting up the Printer

Operating the Printer

▶ Troubleshooting

Site Specifications

Accessories

Customizing the  
Printer



# LOAD PAPER/ LOAD TRANSPARENCY

Possible Cause	Possible Solution
The tray is empty.	Load the type of media requested.
The wrong size media is loaded.	Load the correct size media.
Paper is loaded and transparency was requested, or vice versa.	Load the type of media requested.
Media is not being picked up from the tray.	Clean the pick rollers. <a href="#">Refer to “Cleaning the Pick Rollers”</a> .
Media is jammed in the printer.	Clear the paper path. <a href="#">Refer to “Clearing the Paper Path”</a> .

Operator's Guide

Printing  
Guide

Color Management

Calibration

Network  
Interface Guide

Overview

Setting up the Printer

Operating the Printer

Troubleshooting

Site Specifications

Accessories

Customizing the  
Printer

# LOAD RIBBON

Possible Cause	Possible Solution
The ribbon type that is loaded does not match the ribbon type requested.	Load the type of ribbon that was requested.

Operator's Guide

Printing  
Guide

Color Management

Calibration

Network  
Interface Guide

Overview  
Setting up the Printer  
Operating the Printer  
Troubleshooting  
Site Specifications  
Accessories  
Customizing the  
Printer

## Printer does not turn on

Possible Cause	Possible Solution
The printer power is not on.	Check that the power switch is in the “I” position.
Cables and cords are not connected securely.	Check that the cables and cords are connected properly.

Operator’s Guide

Printing  
Guide

Color Management

Calibration

Network  
Interface Guide

Overview

Setting up the Printer

Operating the Printer

▶ Troubleshooting

Site Specifications

Accessories

Customizing the  
Printer

## Printing takes much longer than usual

Possible Cause	Possible Solution
The image file size may be larger than usual and may therefore take longer to process.	Wait a few minutes.
Printer is too warm.	<ol style="list-style-type: none"><li>1. Turn the printer off for 10 minutes to let it cool.</li><li>2. Consider moving the printer to a location where the temperature is lower.</li></ol>

Operator's Guide

Printing  
Guide

Color Management

Calibration

Network  
Interface Guide

Overview

Setting up the Printer

Operating the Printer

▶ Troubleshooting

Site Specifications

Accessories

Customizing the  
Printer

## Nothing happens when a job is sent

Possible Cause	Possible Solution
Job is processing	Wait to see if the job is still processing.
Printer settings	<ol style="list-style-type: none"><li>1. Try printing a file that you have printed previously.</li><li>2. Verify all export module or printer driver settings.</li><li>3. Check communication settings for compatibility between printer and host.</li></ol>
Printer connections	<ol style="list-style-type: none"><li>1. Disconnect the cable from the printer and try a test print.</li><li>2. If the problem persists, service is required.</li></ol>

Operator's Guide

Printing  
Guide

Color Management

Calibration

Network  
Interface Guide

Overview

Setting up the Printer

Operating the Printer

Troubleshooting

Site Specifications

Accessories

Customizing the  
Printer

## White marks

- white lines run lengthwise on prints
- white or colored speckles or spots on prints

Possible Cause	Possible Solution
Dust or dirt has caused contamination.	<ol style="list-style-type: none"><li>1. Check that the media in the tray is clean and streak-free.</li><li>2. Check that the ribbon is clean.</li><li>3. Clean the print head.</li><li>4. If the problem persists, service is required.</li></ol>

Operator's Guide

Printing  
Guide

Color Management

Calibration

Network  
Interface Guide

Overview

Setting up the Printer

Operating the Printer

▶ Troubleshooting

Site Specifications

Accessories

Customizing the  
Printer

## Multicolored spots appear on the prints

Possible Cause	Possible Solution
Dirt or dust has caused contamination.	<ol style="list-style-type: none"><li>1. Clean the printer and the surrounding area.</li><li>2. Move the printer away from room ventilation ducts or open doors.</li></ol>

Operator's Guide

Printing  
Guide

Color Management

Calibration

Network  
Interface Guide

Overview

Setting up the Printer

Operating the Printer

▶ Troubleshooting

Site Specifications

Accessories

Customizing the  
Printer

# Smudges, smears and fingerprints

Irregularly shaped and colored areas appear on the prints.

Possible Cause	Possible Solution
Fingerprints or other oils have contaminated the paper or ribbon.	Handle media and ribbon carefully. <a href="#">Refer to “Handling the Ribbon”</a> and <a href="#">“Working with Media”</a> .  Use only Kodak Ektatherm XLS XtraLife color ribbon.

Operator’s Guide

Printing Guide

Color Management

Calibration

Network Interface Guide

- Overview
- Setting up the Printer
- Operating the Printer
- ▶ Troubleshooting
- Site Specifications
- Accessories
- Customizing the Printer



## Printer initializes, but does not enter the READY state

Possible Cause	Possible Solution
Loose connections.	<ol style="list-style-type: none"><li>1. Disconnect and reconnect the interface cable.</li><li>2. Restart the printer.</li><li>3. If the problem persists, service is required.</li></ol>

Operator's Guide

Printing  
Guide

Color Management

Calibration

Network  
Interface Guide

Overview

Setting up the Printer

Operating the Printer

▶ Troubleshooting

Site Specifications

Accessories

Customizing the  
Printer

## Paper does not feed

Possible Cause	Possible Solution
Paper load, stiffener, or tray.	<ol style="list-style-type: none"><li>1. Remove sheets with irregularities.</li><li>2. Reduce the size of the stack of media in the paper tray.</li><li>3. Check that the blue stiffener sheet is at the bottom of the paper tray.</li><li>4. Check the paper tray.</li></ol>

Operator's Guide

Printing  
Guide

Color Management

Calibration

Network  
Interface Guide

Overview

Setting up the Printer

Operating the Printer

▶ Troubleshooting

Site Specifications

Accessories

Customizing the  
Printer

# Printer does not respond when you press buttons

Possible Cause	Possible Solution
Printer conditions	<ol style="list-style-type: none"><li>1. Make sure that the cover is closed.</li><li>2. Remove and reinsert the paper tray.</li><li>3. Restart the printer.</li><li>4. Check that the printer is in READY mode.</li></ol>

Operator's Guide

Printing  
Guide

Color Management

Calibration

Network  
Interface Guide

Overview

Setting up the Printer

Operating the Printer

▶ Troubleshooting

Site Specifications

Accessories

Customizing the  
Printer

# Site Specifications

---

## Printer Specifications

### Printer dimensions

Width: 16.6 inches (43.2 cm)

Depth (with tray inserted): 21 inches (52.7 cm)

Height: 12 inches (30.5 cm)

### Printer weight

57 lbs (24.9 kg)

---

## Space Requirements

Minimum space required with tray inserted:

Width: 17 inches (43.2 cm)

Depth: 24 inches (61 cm)

Height: 12 inches (30.5 cm)

Minimum space required for removing the tray and opening the cover:

Width: 17 inches (43.2 cm)

Depth: 35.5 inches (90.2 cm)

Operator's Guide

Printing  
Guide

Color Management

Calibration

Network  
Interface Guide

Overview

Setting up the Printer

Operating the Printer

Troubleshooting

Site Specifications

Accessories

Customizing the  
Printer

Height: 20.25 inches (52.4 cm)

Operator's Guide

Printing  
Guide

Color Management

Calibration

Network  
Interface Guide

Overview

Setting up the Printer

Operating the Printer

Troubleshooting

Site Specifications

Accessories

Customizing the  
Printer

---

## Operating Environment

Ambient operating temperature: 59° to 86°F (15° to 30°C)

Relative humidity: 20 to 76%

---

## Power Requirements

### Voltage/frequency

US/Canada 90 to 250v/47 to 60Hz

Europe 220/50Hz

UK 240/50Hz

### Power consumption

250 watts maximum

Operator's Guide

Printing  
Guide

Color Management

Calibration

Network  
Interface Guide

Overview

Setting up the Printer

Operating the Printer

Troubleshooting

Site Specifications

Accessories

Customizing the  
Printer

# Accessories

This chapter lists the accessories and supplies available for the Kodak Professional 8670 PS thermal printer and how to order them.

## Accessories

Printer accessories are listed below. Purchase these items through your printer dealer or distributor.

Accessory	Catalog Number
Kodak Professional 8670PS 10/100 network interface card	844 5074
Kodak A, 8.5, adjustable tray	843 5109
KodakA4, 8.27, adjustable tray	168 9702
Kodak 9.5 tray	124 2684

Operator's Guide

Printing  
Guide

Color Management

Calibration

Network  
Interface Guide

Overview

Setting up the Printer

Operating the Printer

Troubleshooting

Site Specifications

Accessories

Customizing the  
Printer

# Supplies

To order the following supplies, contact Kodak Parts Services at 1-800-431-7278.

Supply	Part Number
Water cleaning pads (box of 50)	1C8081
Pick roller cleaning kit	5B5910
Shipping pins (for all thermal printers)	989021

Operator's Guide

Printing Guide

Color Management

Calibration

Network Interface Guide

Overview

Setting up the Printer

Operating the Printer

Troubleshooting

Site Specifications

Accessories

Customizing the Printer



# Ribbons

The ribbons available for the 8670 printer are listed below. Purchase ribbons through your printer dealer or distributor.

Ribbon Type	Maximum Image Size	Catalog Number
Kodak Ektatherm XLS three-color ribbon	8 x 10	163 0474
Kodak Ektatherm XLS oversize three-color ribbon	8.5 x 12	821 4082
Kodak Ektatherm XLS three-color ribbon / XtraLife media / CMY	8 x 10	807 6135
Kodak Ektatherm XLS black ribbon / XtraLife media	8.5 x 12	857 0152
Kodak Ektatherm XLS oversize three-color ribbon / XtraLife media / CMY	8.5 x 12	801 3716
Kodak Ektatherm XLS four-color ribbon / CMYK	8.5 x 12	879 2939

Operator's Guide

Printing Guide

Color Management

Calibration

Network Interface Guide

Overview

Setting up the Printer

Operating the Printer

Troubleshooting

Site Specifications

Accessories

Customizing the Printer

## Paper

The paper available for the 8670 printer is listed below. Purchase paper through your printer dealer or distributor. Paper is shipped in 100-sheet packages.

Kodak Ektatherm XLS print paper	Size	Catalog Number
Photographic grade	8.5 x 11 (216 x 281 mm)	861 4364
Photographic grade	8.5 x 12 (216 x 307 mm)	868 4623
Photographic grade	8.5 x 14 (216 x 358 mm)	856 5699
Photographic grade	8.27 x 11.69 (210 x 297 mm)	881 6514
Photographic grade	8.27 x 12 (210 x 307 mm)	875 1596
Photographic grade	8.27 x 14 (210 x 307 mm)	807 5640
Photographic grade	9.5 x 14 (241 x 358 mm)	867 7759
Commercial grade	9.5 x 14 (241 x 358 mm)	158 1198
Publication grade	9.5 x 14 (241 x 358 mm)	881 1663

**NOTE:** [Refer to “Kodak thermal paper types, sizes, and image size”](#) for illustrations of the maximum image size for each paper size.

## Transparency Material

The transparency sizes available for the printer are listed below. Purchase transparency material through your printer dealer or distributor. Transparency material is shipped in 100-sheet packages.

Kodak Ektatherm XLS transparency material	Size	Catalog Number
For use with the Kodak A adjustable tray	8.5 x 11 (216 x 281 mm)	852 6618
For use with the Kodak A adjustable tray	8.5 x 12 (216 x 307 mm)	853 4059
For use with the Kodak A adjustable tray	8.5 x 14 (216 x 358 mm)	852 9679
For use with the Kodak A4 adjustable tray	8.27 x 11.69 (210 x 297 mm)	850 3005
For use with the Kodak A4 adjustable tray	8.27 x 12 (210 x 307 mm)	871 7001
For use with the Kodak A4 adjustable tray	8.27 x 14 (210 x 358 mm)	861 0651

**NOTE:** [Refer to “Kodak thermal transparency material, sizes, and image size”](#) for illustrations of the maximum image size for each transparency size.

# Customizing the Printer

## Adding Memory to the Printer

You can purchase and install SIMMs to increase memory in the printer.

**NOTE:** The 8670 printer comes with 48 MB of factory-installed memory.

The benefits of having additional memory are:

- You may increase the speed at which images are processed.
- You can download more fonts with PostScript language jobs.
- Additional memory allows simultaneous processing and printing of more and/or larger jobs (increases the possible number of prints per hour). For example, operating with 64 MB of memory lets you print one 9.5 x 14 job and process a second job of the same size. With less memory, only smaller jobs can be processed and printed.

There are 3 pairs of memory sockets in your printer. The first pair accepts 4, 8, 16, 32, or 64 MB modules. The other pairs accept only 4, 16, or 64 MB modules. Although it is not necessary to use both sockets in a pair, if you do, the SIMMs must be the same size.

Operator's Guide

Printing  
Guide

Color Management

Calibration

Network  
Interface Guide

Overview

Setting up the Printer

Operating the Printer

Troubleshooting

Site Specifications

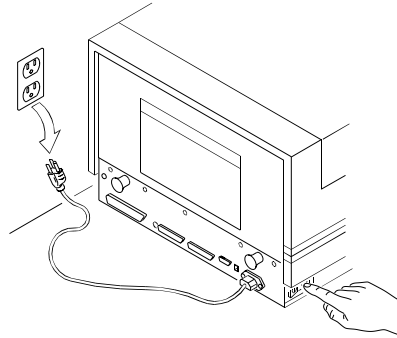
Accessories

Customizing the  
Printer

## Preparing to Install a SIMM

To prepare to install a SIMM:

1. Turn *Off* and unplug the printer.



2. Attach the wrist portion of a static strip to your wrist. Attach the other end of the strap to the metal plate on the back of the printer.

Operator's Guide

Printing  
Guide

Color Management

Calibration

Network  
Interface Guide

Overview

Setting up the Printer

Operating the Printer

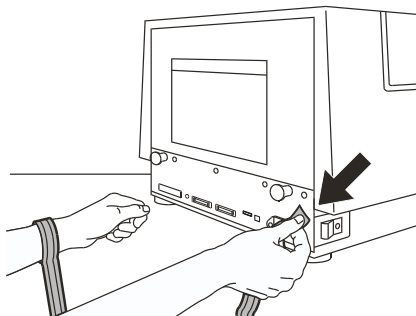
Troubleshooting

Site Specifications

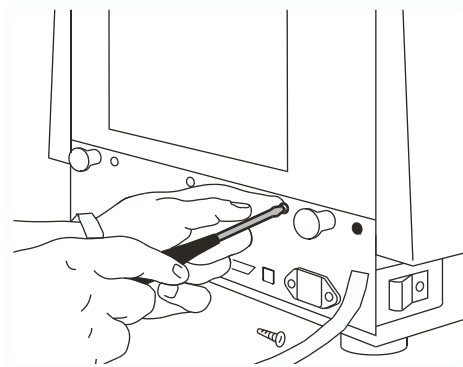
Accessories

Customizing the  
Printer

**CAUTION:** Use a grounding strap to prevent static discharge from damaging the printer.



3. Using a Phillips-head screwdriver, remove the five screws on the plate at the lower portion of the back of the printer.



**NOTE:** There are ten screws on the back of the printer. Remove ONLY the five on the lower portion.

Operator's Guide

Printing  
Guide

Color Management

Calibration

Network  
Interface Guide

Overview

Setting up the Printer

Operating the Printer

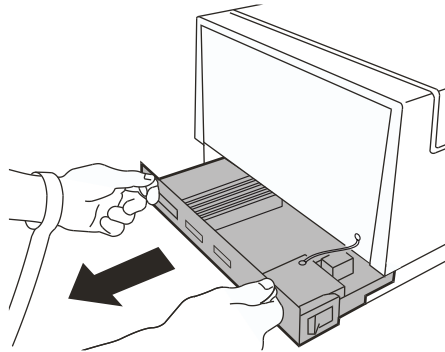
Troubleshooting

Site Specifications

Accessories

Customizing the  
Printer

4. Grasp the two black handles on the metal plate, and slowly pull the drawer out.



Operator's Guide

Printing  
Guide

Color Management

Calibration

Network  
Interface Guide

Overview

Setting up the Printer

Operating the Printer

Troubleshooting

Site Specifications

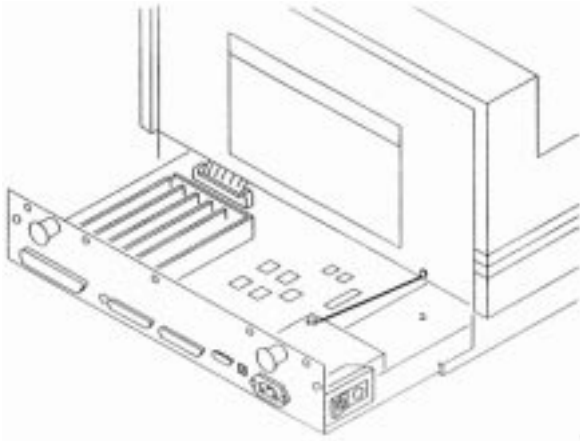
Accessories

Customizing the  
Printer

# Installing the SIMM Card

To install and seat the SIMM:

1. Locate the SIMM receptacles on the left side of the drawer.



2. Hold the SIMM at a 45° angle and position the bottom of the SIMM in the first empty receptacle next to the other installed cards.

Operator's Guide

Printing  
Guide

Color Management

Calibration

Network  
Interface Guide

Overview

Setting up the Printer

Operating the Printer

Troubleshooting

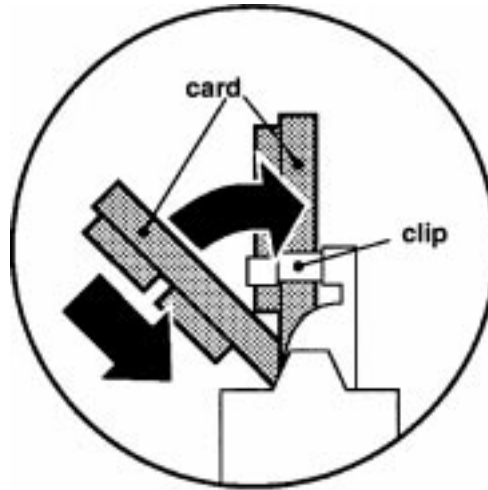
Site Specifications

Accessories

Customizing the  
Printer



3. Gently tilt the SIMM back so that it is upright and snaps into place in the clips on each side of the receptacle.



Operator's Guide

Printing  
Guide

Color Management

Calibration

Network  
Interface Guide

Overview

Setting up the Printer

Operating the Printer

Troubleshooting

Site Specifications

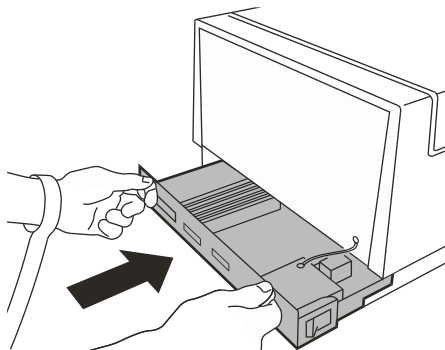
Accessories

Customizing the  
Printer

## Finishing the Installation

To finish the installation:

1. Grasp the black handles on the back of the printer and slide the drawer in.



2. Replace the five screws that you removed.
3. Plug in the printer and turn it *On*.
4. Verify that the Power light on the display panel is lit.

Operator's Guide

Printing  
Guide

Color Management

Calibration

Network  
Interface Guide

Overview

Setting up the Printer

Operating the Printer

Troubleshooting

Site Specifications

Accessories

Customizing the  
Printer

## Free Manuals Download Website

<http://myh66.com>

<http://usermanuals.us>

<http://www.somanuals.com>

<http://www.4manuals.cc>

<http://www.manual-lib.com>

<http://www.404manual.com>

<http://www.luxmanual.com>

<http://aubethermostatmanual.com>

Golf course search by state

<http://golfingnear.com>

Email search by domain

<http://emailbydomain.com>

Auto manuals search

<http://auto.somanuals.com>

TV manuals search

<http://tv.somanuals.com>