

Head and Torso Supports



Assembly, Installation and Operating Instructions

Model Nos. 1164, 3040 (Torso Supports) and
Model Nos. 3045, 3046 (Head Supports)

Yes, you can!

SAVE THESE INSTRUCTIONS

SAFETY SUMMARY

WARNING/CAUTION notices as used in this manual apply to hazards or unsafe practices which could result in personal injury or property damage.

NOTICE

The information contained in this document is subject to change without notice.

WARNING

DO NOT install, maintain or operate this equipment without reading, understanding and following the proper instructions otherwise injury or damage may result.

Make certain **ALL** screws, bolts and nuts are tight at all times.

PARTS LIST

REF. NO.	PART NO. (BLACK)	PART NO. (CHROME)	DESCRIPTION
1*	04529x040	04529x040	Headrest/Torso Pad Assembly
2	1025716	40163x008	Panhead Screw
3*	04529x043	04529x043	Torso Bracket Cover
4	03018x012	03018x012	Support Rod
5	03018x016	03018x016	Torso Support Bracket
6	1028841	60284x001	Socket Screw
7	1028758	03018x043	Bracket Clamp (RH)
7	1028759	03018x046	Bracket Clamp (LH)
8	03018x041	03018x041	Pad Support Sub-Assembly
9	03018x042	03018x042	Adjustment Bracket Assembly (Model No. 3045 Only)
10	1031026	11232x009	Lug Screw
11	1025730	60264x001	Locknut
12	03018x045	03018x045	Pad Support Sub-Assembly (Model No. 3045)
13	03018x044	03018x044	Pad Support Sub-Assembly (Model No. 3046)

NOTE: Items with (), upholstery style and color MUST BE supplied with Part No. when ordering replacement parts.*

INSTALLATION

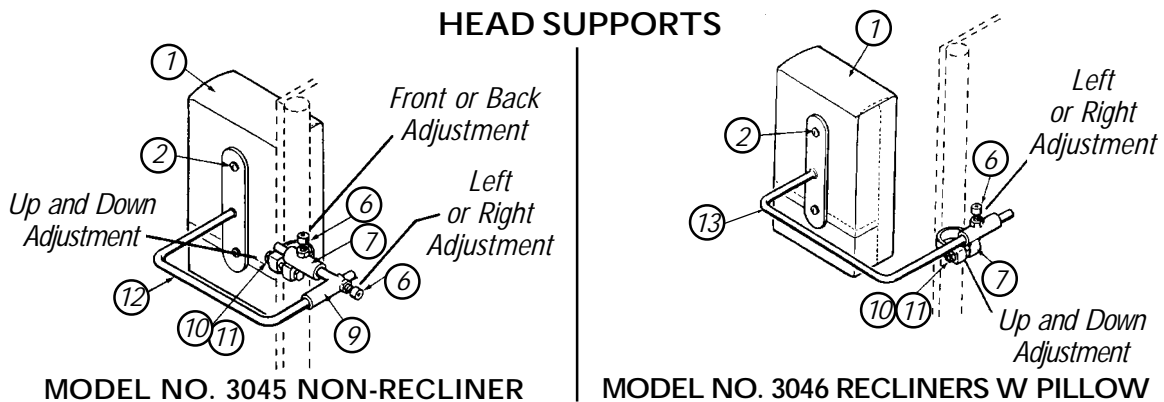
HEAD SUPPORTS MODEL NOS. 3045 AND 3046 (FIGURE 1)

1. Mount the headrest support to the back upright of the chair; which includes the following items:

Headrest/Torso Pad Assembly (**Item 1**)
Panhead Screw (**Item 2**)
Pad Support Sub-Assembly (**Item 12 or 13**)
Socket Screw (**Item 6**)

Bracket Clamp (Item 7)
 Adjustment Bracket Assembly (Item 9)
 Lug Screw (Item 10)
 Locknut (Item 11)

- LEFT or RIGHT adjustments can be accomplished by loosening the socket screw (Item 6) on the adjustable bracket assembly (Item 9 - Model No. 3045) (Item 7 - Model 3046) with an Allen wrench.
- UP or DOWN adjustment are made by loosening the lug screw and the locknut (Items 10 and 11).
- FRONT and BACK adjustments are made by loosening the socket screw (Item 6) on the bracket clamp (Item 7 - Model No. 3045 Only).



TORSO SUPPORTS MODEL NOS. 1164 AND 3040 (FIGURE 2)

- Mount the torso support to the back upright of the chair; which includes the following items:
 Headrest/Torso Pad Assembly (Item 1)
 Panhead Screw (Item 2)
 Torso Bracket Cover (Item 3)
(Model No. 1164 - Only)
 Support Rod (Item 4)
 Socket Screw (Item 6)
 Torso Support Bracket (Item 5)
 Pad Support Sub-Assembly (Item 8)
 Bracket Clamp (Item 7)
 Lug Screw (Item 10)
 Locknut (Item 11)
- LEFT or RIGHT adjustments can be accomplished by loosening the socket screw (Item 6) on the bracket clamp (Item 7 - Model No. 3040) and the support rod (Item 4 - Model No. 1164) with an Allen wrench.

NOTE: The support rod (Item 4) MUST BE assembled to the torso support bracket (Item 5) before installation of Model No. 1164.

3. UP or DOWN adjustment are made by loosening the lug screw and the locknut (Items 10 and 11).
4. FRONT and BACK adjustments are made by loosening the socket screw (Item 6) on the bracket clamp (Item 7 - Model No. 1164 Only).

NOTE: Model No. 3040 has no front-to-back adjustment.

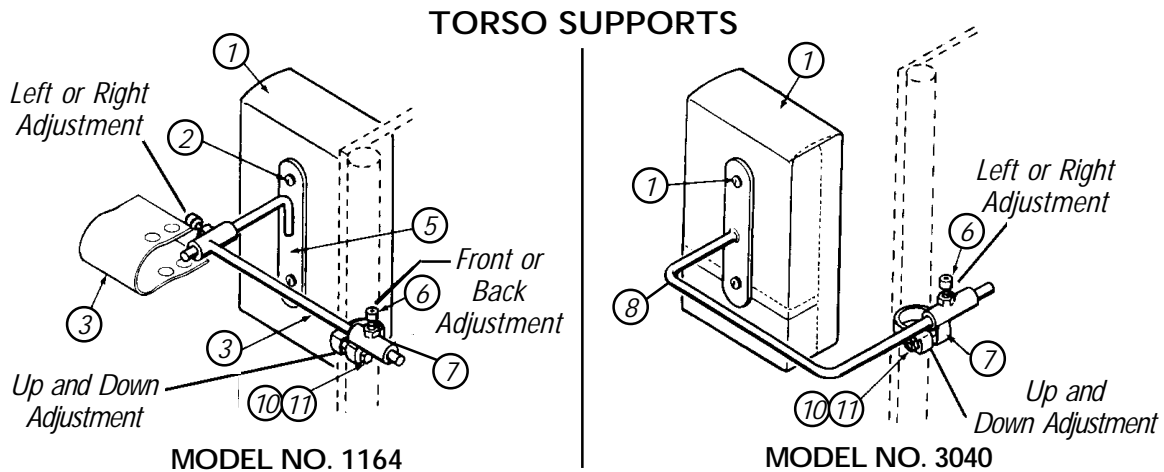


FIGURE 2 - INSTALLATION OF TORSO SUPPORTS

PARTS LIST

REF. NO.	PART NO. (BLACK)	PART NO. (CHROME)	DESCRIPTION
1*	04529x040	04529x040	Headrest/Torso Pad Assembly
2	1025716	40163x008	Panhead Screw
3*	04529x043	04529x043	Torso Bracket Cover
4	03018x012	03018x012	Support Rod
5	03018x016	03018x016	Torso Support Bracket
6	1028841	60284x001	Socket Screw
7	1028758	03018x043	Bracket Clamp (RH)
7	1028759	03018x046	Bracket Clamp (LH)
8	03018x041	03018x041	Pad Support Sub-Assembly
9	03018x042	03018x042	Adjustment Bracket Assembly (Model No. 1164 Only)
10	1031026	11232x009	Lug Screw
11	1025730	60264x001	Locknut
12	03018x045	03018x045	Pad Support Sub-Assembly (Model No. 3045)
13	03018x044	03018x044	Pad Support Sub-Assembly (Model No. 3046)

NOTE: Items with (), upholstery style and color MUST BE supplied with Part No. when ordering replacement parts.*



Yes, you can:

Invacare Corporation www.invacare.com

USA
 One Invacare Way
 Elyria, Ohio USA
 44036-2125
 800-333-6900

Canada
 570 Matheson Blvd E Unit 8
 Mississauga Ontario
 L4Z 4G4 Canada
 800-668-5324

Invacare is a registered trademark of Invacare Corporation.
 Yes, you can. is a trademark of Invacare Corporation.
 ©2002 Invacare Corporation
 Part No. 1026310 Rev D (1) 04/03

Free Manuals Download Website

<http://myh66.com>

<http://usermanuals.us>

<http://www.somanuals.com>

<http://www.4manuals.cc>

<http://www.manual-lib.com>

<http://www.404manual.com>

<http://www.luxmanual.com>

<http://aubethermostatmanual.com>

Golf course search by state

<http://golfingnear.com>

Email search by domain

<http://emailbydomain.com>

Auto manuals search

<http://auto.somanuals.com>

TV manuals search

<http://tv.somanuals.com>