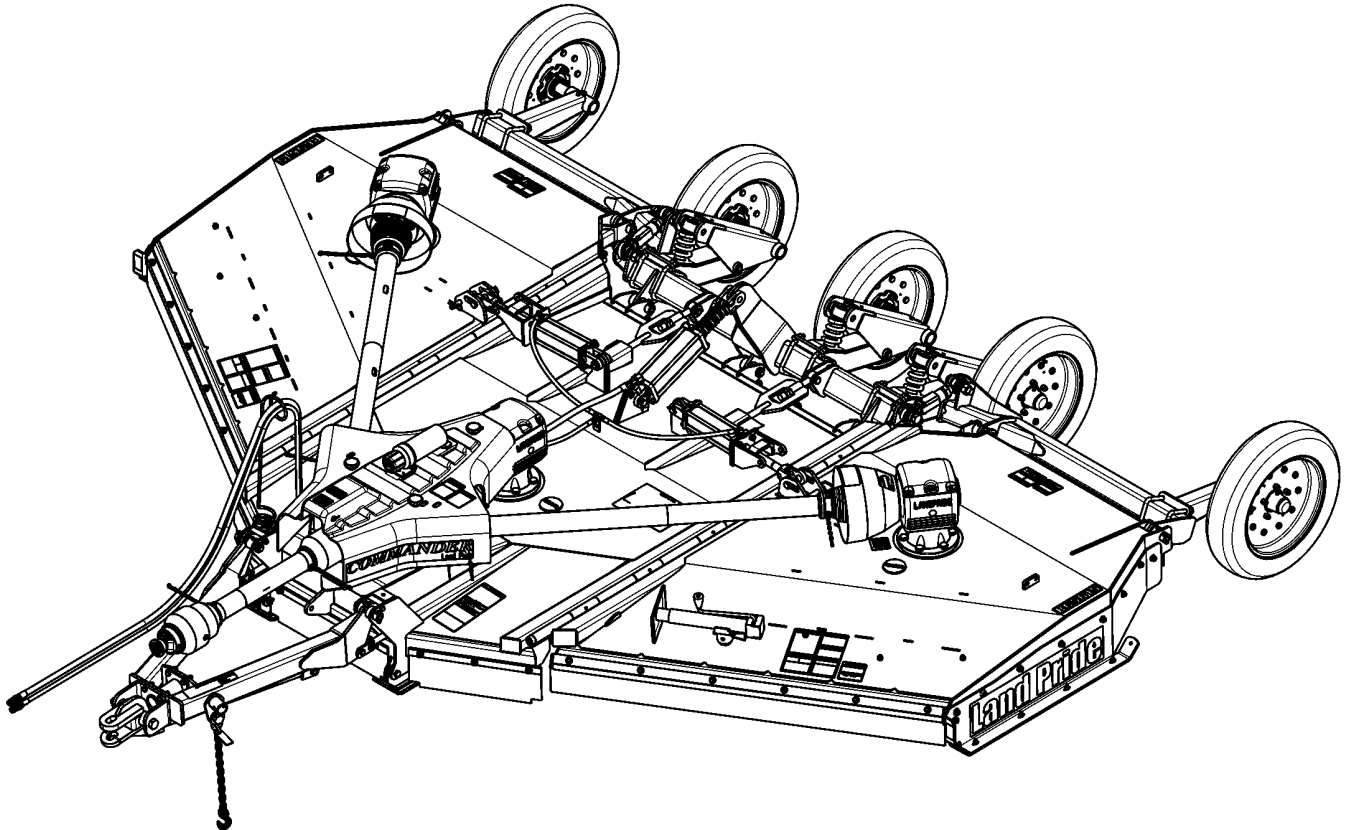


# Rotary Cutters

## RCC5615 & RCCM5615



26666

### 330-402P Parts Manual



Read the Operator's manual entirely. When you see this symbol, the subsequent instructions and warnings are serious - follow without exception. Your life and the lives of others depend on it!

© Copyright 2010 Printed 09/17/10

Cover photo may show optional equipment not supplied with standard unit.





# Table of Contents

<b>Section 1: Introduction.....</b>	<b>4</b>	Driveline Wing (826-481C) Walterscheid.....	82
Using This Manual.....	4	<b>Section 5: Drivelines (540 RPM).....</b>	<b>84</b>
Manual Replacement Information.....	4	Driveline Center (826-478C) Comer.....	84
Manual Revisions.....	4	Driveline Center 540 RPM (826-183C) Eurocardan.....	86
Touch-up Paint.....	4	Driveline Conv. 540 RPM (826-112C) Walterscheid.....	88
Hardware Legend.....	5	Driveline CV 540 RPM (826-476C) Comer.....	90
Replacement Hardware.....	5	Driveline CV 540 RPM (826-643C) Weasler (S/N	
Serial Numbers.....	5	_____+ ).....	92
Part Number Service Coding.....	5	Driveline Slip Clutch (146.264.024.1) Comer.....	94
<b>Section 2: Decks &amp; Hitches.....</b>	<b>6</b>	Driveline Slip Clutch (146.284.020.1) Comer.....	96
Blade Carrier S/N 509781+.....	6	Driveline Slip Clutch (229829X0) Walterscheid.....	98
Deck Center Section (RC56).....	8	Driveline Slip Clutch (395980) Walterscheid.....	100
Deck Wing Section (RC56).....	12	Driveline Slip Clutch 540/1000 RPM (1446016) EC.....	102
Hitch Ball Coupler.....	16	Driveline Wing (826-185C) EC New Shielding.....	104
Hitch Bar Tite.....	18	Driveline Wing (826-185C) Walterscheid.....	106
Hitch Main Frame.....	20	Driveline Wing (826-481C) Comer.....	108
Hitch Pintel.....	22	Driveline Wing (826-481C) Walterscheid.....	110
Hitch Standard Pivoting Clevis.....	24	<b>Section 6: Gearboxes (1000 RPM).....</b>	<b>112</b>
Hitch Swivel.....	26	Gearbox 1000 RPM (826-317C).....	112
Leveling Rod & Wing Turnbuckle.....	28	Gearbox 1000 RPM (826-318C).....	114
<b>Section 3: Axles.....</b>	<b>30</b>	Gearbox 1000 RPM (826-319C).....	116
Axle Center Row Crop.....	30	Gearbox Divider 1000 RPM (826-521C) Comer.....	118
Axle Wing Row Crop.....	32	Gearbox Divider 1000 RPM (826-521C) ITG.....	120
<b>Section 4: Guards.....</b>	<b>34</b>	Gearbox Divider 1000 RPM (826-521C) Omni.....	122
Guards Chain Double Row Front.....	34	<b>Section 6: Gearboxes (540 RPM).....</b>	<b>124</b>
Guards Chain Double Row Rear.....	36	Gearbox 540 RPM (826-315C).....	124
Guards Chain Single Row Front.....	38	Gearbox 540 RPM (826-316C).....	126
Guards Chain Single Row Rear.....	40	Gearbox Divider 540 RPM (826-520C) Comer.....	128
Guards Chain W/ Cable Front.....	42	Gearbox Divider 540 RPM (826-520C) ITG.....	130
Guards Chain W/ Cable Rear.....	44	Gearbox Divider 540 RPM (826-520C) Omni.....	132
Guards Rubber Front.....	46	<b>Section 7: Hydraulics.....</b>	<b>134</b>
Guards Rubber Rear.....	48	Hydraulic Lift Components.....	134
<b>Section 5: Drivelines (1000 RPM).....</b>	<b>50</b>	Hydraulic Cylinder (810-162C) Cross.....	136
Driveline Center (826-478C) Comer.....	50	Hydraulic Cylinder (810-162C) Midway.....	138
Driveline Center 1000 RPM (826-184C) Eurocardan.....	52	Hydraulic Cylinder (810-162C) Red Lion.....	140
Driveline Conv. 1000 RPM (826-247C) Walterscheid.....	54	Hydraulic Cylinder (810-644C) Midway.....	142
Driveline CV 1000 RPM (826-477C) 1 3/8-21 Comer.....	56	Hydraulic Independent Wing Control Accessory.....	144
Driveline CV 1000 RPM (826-499C) 1 3/4-20 Comer.....	58	Hydraulic Valve Selector Assesory.....	146
Driveline CV 1000 RPM (826-644C) (S/N _____+ ).....	60	Hydraulic Valve Spool Control Accessory.....	148
Driveline CV 1000 RPM (826-645C) (S/N _____+ ).....	62	<b>Section 8: Labels.....</b>	<b>150</b>
Driveline Slip Clutch (146.264.024.1) Comer.....	64	Label Placement.....	150
Driveline Slip Clutch (146.284.020.1) Comer.....	66	<b>Section 9: Options &amp; Accessories.....</b>	<b>152</b>
Driveline Slip Clutch (229829X0) Walterscheid.....	68	Shredder/Baffle Components Center Deck.....	152
Driveline Slip Clutch (395980) Walterscheid.....	70	Shredder/Baffle Components LH Deck.....	154
Driveline Slip Clutch 1000 RPM (1406016) Eurocardan.....	72	Shredder/Baffle Components RH Deck.....	156
Driveline Slip Clutch 540/1000 RPM (1446016) EC.....	74		
Driveline Wing (826-185C) EC New Shielding.....	76	<b>Part Number Index.....</b>	<b>158</b>
Driveline Wing (826-185C) Walterscheid.....	78		
Driveline Wing (826-481C) Comer.....	80		

© Copyright 2010. All rights reserved.

Land Pride provides this publication "as is" without warranty of any kind, either expressed or implied. While every precaution has been taken in the preparation of this manual, Land Pride assumes no responsibility for errors or omissions. Neither is any liability assumed for damages resulting from the use of the information contained herein. Land Pride reserves the right to revise and improve its products as it sees fit. This publication describes the state of this product at the time of its publication, and may not reflect the product in the future. The illustrations in this manual are not intended for safe and proper assembly or disassembly of equipment. The illustrations are intended for ordering parts only.

Land Pride is registered trademark.

All other brands and product names are trademarks or registered trademarks of their respective holders.

Printed in the United States of America.



# Alphabetized Table of Contents

<b>A</b>	Axle Center Row Crop.....30	Guards Chain Double Row Rear.....36
	Axle Wing Row Crop.....32	Guards Chain Single Row Front.....38
<b>B</b>		Guards Chain Single Row Rear.....40
	Blade Carrier S/N 509781+.....6	Guards Chain W/ Cable Front.....42
<b>D</b>		Guards Chain W/ Cable Rear.....44
	Deck Center Section (RC56).....8	Guards Rubber Front.....46
	Deck Wing Section (RC56).....12	Guards Rubber Rear.....48
	Driveline Center (826-478C) Comer.....50	
	Driveline Center (826-478C) Comer.....84	
	Driveline Center 1000 RPM (826-184C) Eurocardan....52	
	Driveline Center 540 RPM (826-183C) Eurocardan....86	
	Driveline Conv. 1000 RPM (826-247C) Walterscheid...54	
	Driveline Conv. 540 RPM (826-112C) Walterscheid....88	
	Driveline CV 1000 RPM (826-477C) 1 3/8-21 Comer...56	
	Driveline CV 1000 RPM (826-499C) 1 3/4-20 Comer...58	
	Driveline CV 1000 RPM (826-644C) (S/N _____+).....60	
	Driveline CV 1000 RPM (826-645C) (S/N _____+).....62	
	Driveline CV 540 RPM (826-476C) Comer.....90	
	Driveline CV 540 RPM (826-643C) Weasler (S/N _____+).....92	
	Driveline Slip Clutch (146.264.024.1) Comer.....64	
	Driveline Slip Clutch (146.264.024.1) Comer.....94	
	Driveline Slip Clutch (146.284.020.1) Comer.....66	
	Driveline Slip Clutch (146.284.020.1) Comer.....96	
	Driveline Slip Clutch (229829X0) Walterscheid.....68	
	Driveline Slip Clutch (229829X0) Walterscheid.....98	
	Driveline Slip Clutch (395980) Walterscheid.....70	
	Driveline Slip Clutch (395980) Walterscheid.....100	
	Driveline Slip Clutch 1000 RPM (1406016) Eurocardan.....72	
	Driveline Slip Clutch 540/1000 RPM (1446016) EC....74	
	Driveline Slip Clutch 540/1000 RPM (1446016) EC....102	
	Driveline Wing (826-185C) EC New Shielding.....76	
	Driveline Wing (826-185C) EC New Shielding.....104	
	Driveline Wing (826-185C) Walterscheid.....78	
	Driveline Wing (826-185C) Walterscheid.....106	
	Driveline Wing (826-481C) Comer.....80	
	Driveline Wing (826-481C) Comer.....108	
	Driveline Wing (826-481C) Walterscheid.....82	
	Driveline Wing (826-481C) Walterscheid.....110	
<b>G</b>		
	Gearbox 1000 RPM (826-317C).....112	
	Gearbox 1000 RPM (826-318C).....114	
	Gearbox 1000 RPM (826-319C).....116	
	Gearbox 540 RPM (826-315C).....124	
	Gearbox 540 RPM (826-316C).....126	
	Gearbox Divider 1000 RPM (826-521C) Comer.....118	
	Gearbox Divider 1000 RPM (826-521C) ITG.....120	
	Gearbox Divider 1000 RPM (826-521C) Omni.....122	
	Gearbox Divider 540 RPM (826-520C) Comer.....128	
	Gearbox Divider 540 RPM (826-520C) ITG.....130	
	Gearbox Divider 540 RPM (826-520C) Omni.....132	
	Guards Chain Double Row Front.....34	
<b>H</b>		
	Hitch Ball Coupler.....16	
	Hitch Bar Tite.....18	
	Hitch Main Frame.....20	
	Hitch Pintel.....22	
	Hitch Standard Pivoting Clevis.....24	
	Hitch Swivel.....26	
	Hydraulic Lift Components.....134	
	Hydraulic Cylinder (810-162C) Cross.....136	
	Hydraulic Cylinder (810-162C) Midway.....138	
	Hydraulic Cylinder (810-162C) Red Lion.....140	
	Hydraulic Cylinder (810-644C) Midway.....142	
	Hydraulic Independent Wing Control Accessory.....144	
	Hydraulic Valve Selector Assesory.....146	
	Hydraulic Valve Spool Control Accessory.....148	
<b>L</b>		
	Label Placement.....150	
	Leveling Rod & Wing Turnbuckle.....28	
<b>S</b>		
	Shredder/Baffle Components Center Deck.....152	
	Shredder/Baffle Components LH Deck.....154	
	Shredder/Baffle Components RH Deck.....156	

# General Information

## Using This Manual

This manual is divided into sections. The first section contains General Information. The remaining sections divide the machine into segments (i.e. Frames, Drives, Hydraulics, etc.) which illustrate and list all parts. A Parts Number Index is located at the back of the book.

The Land Pride parts in this manual are specially designed for this machine and should be replaced with Land Pride parts only.

The information in this manual is current at time of printing. Some parts may change to assure top performance.

Right-hand and left-hand as used in this manual are determined by facing the direction the machine will travel while in use.

Below is an example of two facing pages from a parts manual. Familiarize yourself with the type of information contained on these pages.

## Manual Replacement Information

Replacement manuals are available. Refer to our website at [www.landpride.com](http://www.landpride.com) or e-mail us at [lit@landpride.com](mailto:lit@landpride.com) for additional information. Our website continues to provide the most up-to-date manuals available.

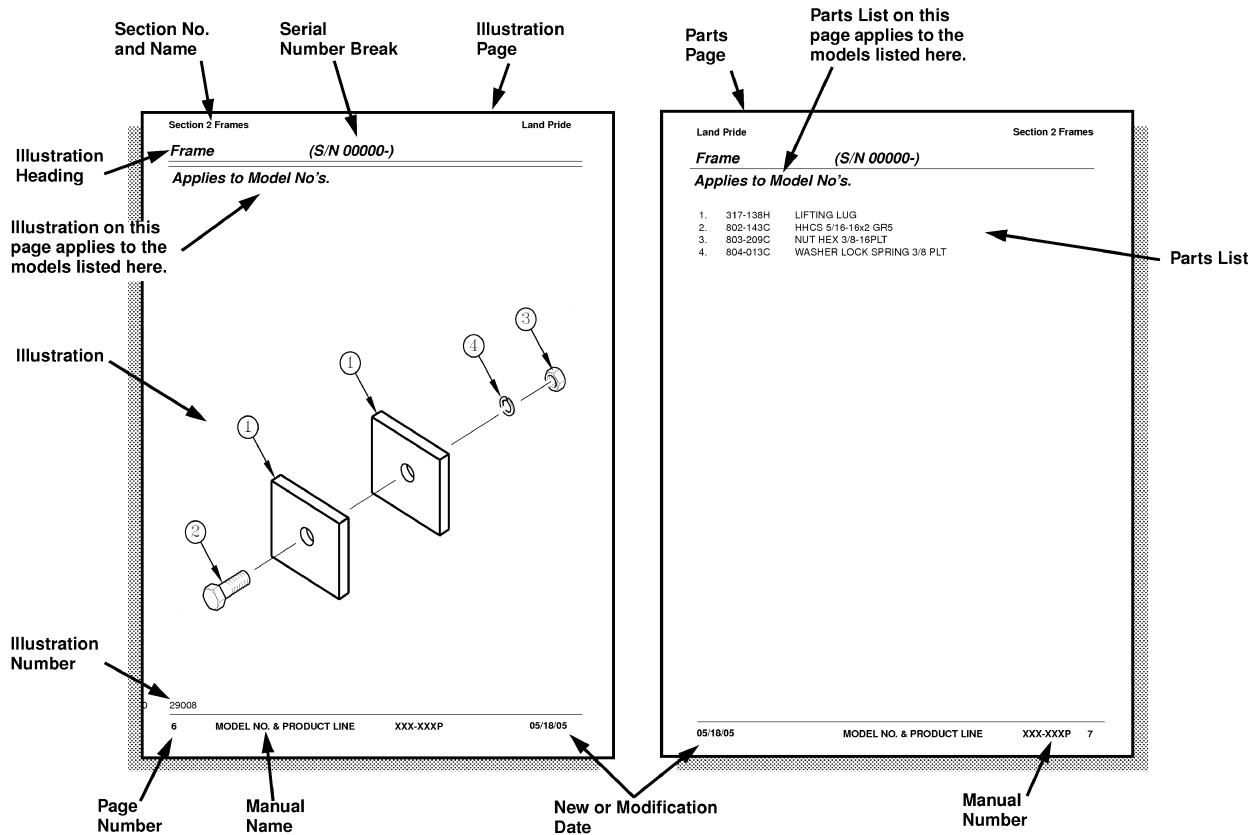
## Touch-up Paint

Repaint parts where paint is worn or scratched to prevent rust. Aerosol cans and touch-up bottles with brush applicator are available through your local dealer. Land Pride color descriptions and part numbers are listed below. Also available are quart and gallon size paints. Add QT or GL to end of the Aerosol P/N.

Color	Product*	Aerosol	Touch-Up
Gloss Black	LP	821-032C	821-032CTU
Beige	LP	821-011C	821-011CTU
Green	SLP	821-058C	821-058CTU
Orange	SLP	821-066C	821-066CTU
Red	SLP	821-054C	821-054CTU
Blue	SLP	821-067C	821-067CTU

Notes:

- \* LP = All Land Pride Products
- SLP = Select Land Pride Products that are available in optional Green, Orange and Red.



# General Information

## Hardware Legend

AR	As Required
BLADE	Blade Bolt
C	Cap Screw
CP	Cotter Pin
CPHSSS	Cup Point Hex Socket Set Screw
CPSHSS	Cup Point Square Head Set Screw
CPSQHSS	Cup Point Square Head Set Screw
CRFCHMS3	Cross Recess Flat Countersunk Head Machine Screw
CRPHMS	Cross Recess Pan Head Machine Screw
CRPHMFS	Cross Recess Pan Head Thread Forming
CRRHMS	Cross Recess Round Head Machine Screw
CRTHMS	Cross Recess Truss Head Machine Screw
CSNB	Countersunk Square Neck Bolt
FHMS	Flat Head Machine Screw
FTC	Full Thread Cap Screw
H	Hex Nut
HCLN	Hex Center Lock Nut
HFLCS	Hex Flange Lock Cap Screw
HFS	Hex Flange Screw
HFSLN	Hex Flange Serrated Lock Nut
HFSS	Hex Flange Serrated Screw
HHCS	Hex Head Cap Screw or Metric Bolt
HSBHCS	Hex Socket Button Head Cap Screw
HSFCHCS	Hex Socket Flat Countersunk Head Cap Screw
HSHCS	Hex Socket Head Cap Screw
HSSS	Hex Socket Head Screw
HTLN	Hex Top Lock Nut
HWHCS	Hex Washer Head Cap Screw

HWHMS	Hex Washer Head Machine Screw
HXBHCS	Hex Socket Button Head Cap Screw
J	Hex Jam Nut
JIC	37 Degree Tapered Thread
L	Helical Spring Lock Washer
LUG	Lug Bolt
NFC	National Fine Cap Screw
NPSM	National Pipe Straight Mechanical
NPTF	National Pipe Taper Fuel
P	Wide Plain Washer
PHMS	Pan Head Machine Screw
PLOW	Plow Bolt
RHMS	Round Head Machine Screw
RHSNB	Round Head Square Neck Bolt
SCREW LEVELING	Leveling Screw
SCREW THUMB	Thumb Screw
SCREW WELD	Weld Screw
SFCHMS	Slotted Flat Countersunk Head Machine Screw
SFHMS	Slotted Fillister Head Machine Screw
SP	Special
SP SCREW	Special Screw
SQHSS	Square Head Set Screw
SRHMS	Slotted Round Head Machine Screw
SSS	Socket Set Screw
STCS	Self Tapping Cap Screw
STHMS	Slotted Truss Head Machine Screw
WHEEL	Wheel Studs and Hub Long Bolts
WING	Wing Bolt

## Replacement Hardware

The **Hardware Legend** above lists hardware abbreviations used in the parts list. All bolts and nuts are Grade 5 unless otherwise noted. The use of improper grades of hardware can result in personal injury, damage to equipment, or loss of property.

## Colored Replacement Parts

Land Pride offers replacement parts in factory standard colors and also on select models in Green, Orange, Red and Blue. Because of the variety of colors available, special attention must be given to the part number to prevent ordering the wrong replacement part.

A suffix number corresponding to one of the colors below must be added at the end of Land Pride's part number when ordering a replacement part with that color.

- |                                   |                                 |
|-----------------------------------|---------------------------------|
| <b>81</b> . . . . . <b>Green</b>  | <b>83</b> . . . . . <b>Red</b>  |
| <b>82</b> . . . . . <b>Orange</b> | <b>84</b> . . . . . <b>Blue</b> |

For example, if you are ordering a replacement part with part number 555-555C and the part you need is red, then add the suffix 83 to the end of the number to make the part number read 555-555C83. Parts ordered without a suffix number will be supplied in factory standard colors.

## Black Replacement Parts

Some parts are factory standard black and some must be special ordered black. If your part is special ordered black, a second part number with the additional suffix number 85 on the end will be available. In this situation you must order that part with the suffix number for it to be black. Parts that are factory standard black will not have the suffix number.

## Part Number Service Coding

Within the parts list some part numbers are coded for revisions and interchangeability. See notations in revision column.

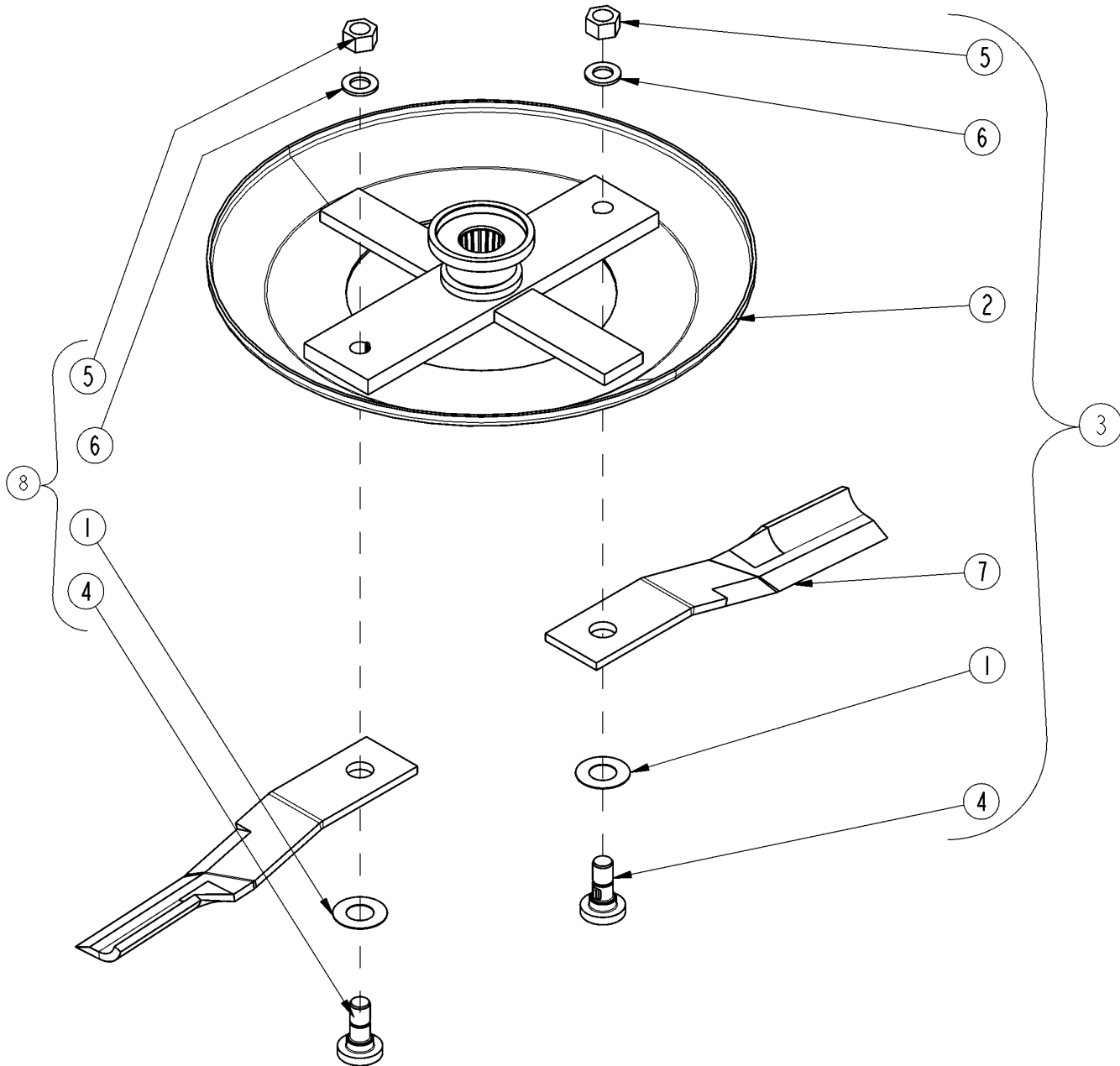
## Serial Numbers

Always use the serial and model number when ordering parts. Refer to the Operator's Manual for serial number plate location.

- |                      |  |
|----------------------|--|
| (S/N 20001+)         | Includes serial numbers 20001 and above (to the latest number)   |
| (S/N 10001 to 20000) | Includes serial numbers between and including 10001 and 20000    |
| (S/N 10000-)         | Includes serial numbers 10000 and below (to the earliest number) |

**Blade Carrier S/N 509781+**

Applies to RCC5615, RCCM5615



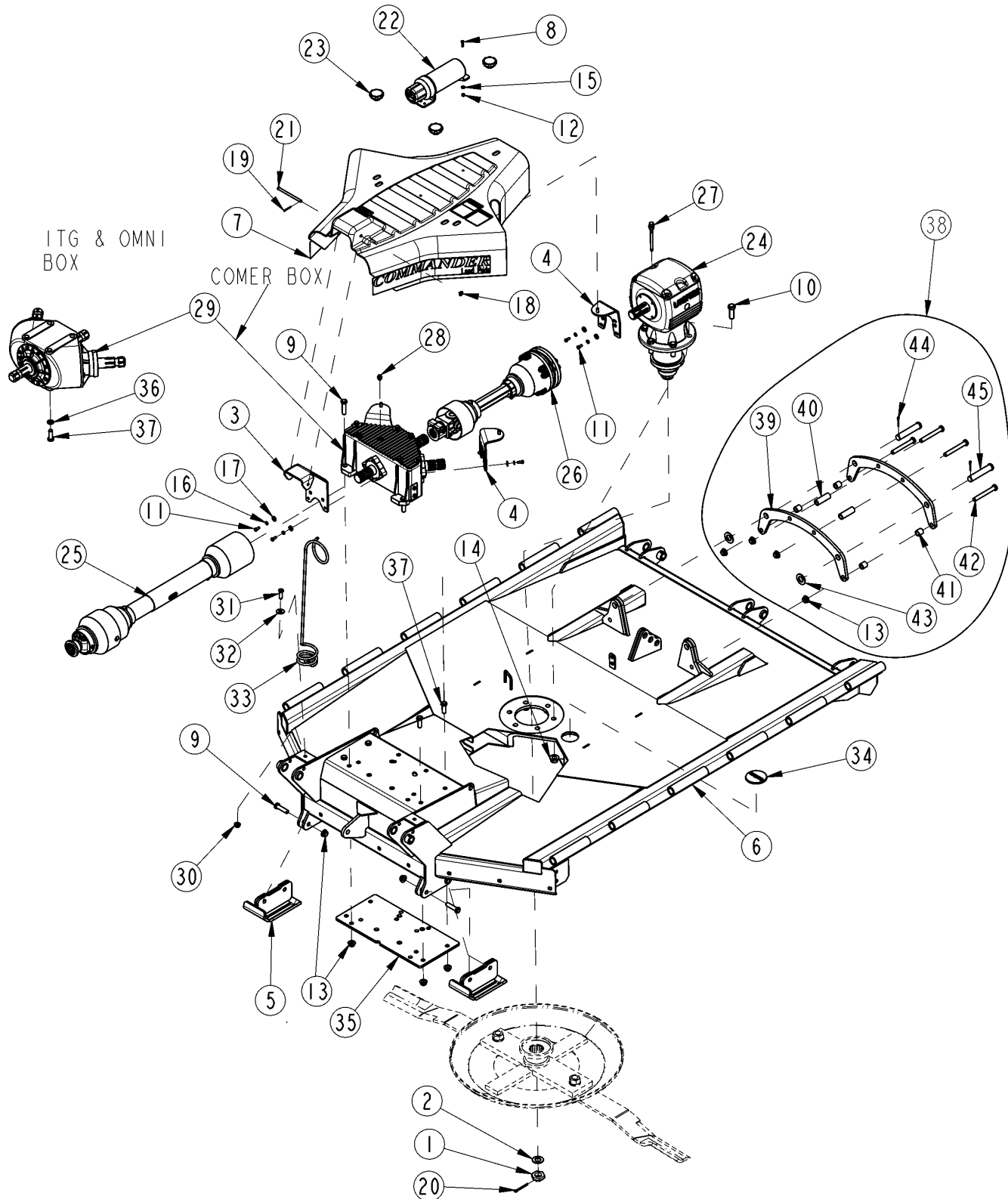
24645

**Blade Carrier S/N 509781+****Applies to RCC5615, RCCM5615**

<b>Ref</b>	<b>Part No.</b>	<b>Part Description</b>	<b>Comments</b>	<b>Revision</b>
	dwg24645	Drawing Image Number		
1.	312-075D	BLADE SPACER 16 GA .064 Thick	As Required	
1.	312-082D	BLADE SPACER 18 GA .052 Thick	As Required	
1.	312-089D	BLADE SPACER 20 GA. .04 Thick	As Required	
1.	312-808D	BLADE SPACER 24 GA. .03 Thick	As Required	
2.	330-084H	WLDMT, 55 SERIES DISHPAN		
3.	330-086S	ASSY. CW BLADE CARRIER	Left Wing Section	
3.	330-085S	ASSY. CCW BLADE CARRIER	Right Wing Section	
3.	330-087S	ASSY. CCW. BLADE CARRIER	Center Section	
4.	802-277C	BLADE BOL 1 1/8-12X3 7/16 W/KY		
5.	803-170C	NUT HEX TOP LOCK 1 1/8-12 PLT.		
6.	804-147C	WASHER FLAT 1 HARD ASTMF436 PN		
7.	820-170C	CUTTER BLADE 1/2X4X23 CW	Left Wing Section	
7.	820-168C	CUTTER BLADE 1/2X4X29 CCW	Center Section	
7.	820-169C	CUTTER BLADE 1/2X4X23 CCW	Right Wing Section	
8.	318-586A	BLADE BOLT KIT	With Manual	

**Deck Center Section (RC56)**

Applies to RCC5615, RCCM5615



26555



**Deck Center Section (RC56)****Applies to RCC5615, RCCM5615**

Ref	Part No.	Part Description	Comments	Revision
	dwg26555	Drawing Image Number		
1.	8.2.2.00555	CO NUT, CASTLE M30 X 2		
2.	0.288.7101.00	CO BLANK WASHER		
3.	318-322D	FORMED HINGE BRACKET		
4.	318-401H	SHIELD BRACKET WELDMENT		
5.	330-185H	SKID SHOE		
6.	330-186H	DECK, SMOOTH CENTER WO/DR	No Deck Rings	
6.	330-186H81	DECK, CENTER WO/DR GREEN		
6.	330-186H82	DECK, CENTER WO/DR ORANGE		
6.	330-186H83	DECK, CENTER WO/DR RED		
6.	330-189H	DECK, SMOOTH CENTER W/DR	With Deck Rings Not Available on RCC(M)5615	
6.	330-189H81	DECK, CENTER W/DR GREEN		
6.	330-189H82	DECK, CENTER W/DR ORANGE		
6.	330-189H83	DECK, CENTER W/DR RED		
7.	330-285K	DIV BOX COVER COMMANDER	Beige & Green Unit Includes Decals	
7.	330-285K82	DIV BOX COVER COMMANDER ORANGE		
7.	330-285K83	DIV BOX COVER COMMANDER RED		
8.	802-005C	HHCS 1/4-20X1 GR5		
9.	802-058C	HHCS 5/8-11X2 1/2 GR5	Comer Box	
10.	802-065C	HHCS 3/4-10X2 1/4 GR5		
11.	802-314C	HHCS M8X1.25X20 GR8.8	Comer Box	
11.	802-007C	HHCS 5/16-18X3/4 GR5	ITG & Omni Box	
12.	803-255C	NUT HEX NYLOCK 1/4-20		
13.	803-263C	NUT HEX FLANGE LOCK 5/8-11 PLT	Comer Box	
14.	803-299C	NUT HEX FLG TOP LK 3/4-10 PLT		
15.	804-007C	WASHER FLAT 1/4 SAE PLT		
16.	804-009C	WASHER LOCK SPRING 5/16 PLT		
17.	804-010C	WASHER FLAT 5/16 USS PLT		
18.	804-012C	WASHER FLAT 3/8 SAE PLT		
19.	805-045C	PIN COTTER 5/32 X 1 1/4 LG		
20.	805-105C	PIN COTTER 1/4 X 2 1/2 PLT		
21.	805-309C	PIN CLEVIS 3/8 X 5 1/2 PLT		
22.	816-481C	MANUAL STORAGE CONTAINER		
23.	817-259C	KNOB 3/8-16 FEMALE THD 2 3/8OD		
24.	826-315C	GBOX RC50 1:1.46 CCW	RCC5615 RCC5615	
24.	826-315C81	GBOX RC50 1:1.46 CCW GREEN		
24.	826-315C82	GBOX RC50 1:1.46 CCW ORANGE		
24.	826-315C83	GBOX RC50 1:1.46 CCW RED		
24.	826-318C	GBOX RCM50 1.21:1 CCW	RCCM5615 RCCM5615	
24.	826-318C81	GBOX RCM50 1.21:1 CCW GREEN		
24.	826-318C82	GBOX RCM50 1.21:1 CCW ORANGE		
24.	826-318C83	GBOX RCM50 1.21:1 CCW RED		
25.	826-643C	PTO CV 540 NO CLUTCH	RCC5615 RCC5615 S/N _____+	
25.	826-476C	RPBY 826-643C	RCC5615 RCC5615 S/N _____-	
25.	826-112C	PTO 2500 X 39.76 NO CLUTCH	RCC5615 RCC5615	
25.	826-644C	PTO CV 1000 1-3/8 NO CLUTCH	RCCM5615 RCCM5615 S/N _____+	
25.	826-477C	RPBY 826-644C	RCCM5615 RCCM5615 S/N _____-	
25.	826-247C	PTO 2500 CAT.5 1000 1 3/8-21	RCCM5615 RCCM5615	
25.	826-645C	PTO CV 1000 1-3/4 NO CLUTCH	RCCM5615 RCCM5615 S/N _____+	
25.	826-499C	RPBY 826-645C	RCCM5615 RCCM5615 S/N _____-	
26.	826-478C	PTO E60 X 21.7 1280NM CLUTCH	540 RPM & 1000 RPM CAT 5	
26.	826-183C	PTO INT. CAT.4 540W/CLUTCH	540 RPM CAT 4	
26.	826-184C	PTO INT. CAT.4 1000W/CLUTCH	1000 RPM CAT 4	
27.	826-486C	COMER U0.125.7003.00 OIL PLUG		
28.	826-497C	COMER VENT #8.6.7.00269		
29.	826-520C	DIV BOX 540RPM 1 3/4-20	RCC5615 RCC5615	
29.	826-520C81	DIV BOX 540RPM 1 3/4-20 GREEN		

**Deck Center Section (RC56) (continued)****Applies to RCC5615, RCCM5615**

<b>Ref</b>	<b>Part No.</b>	<b>Part Description</b>	<b>Comments</b>	<b>Revision</b>
29.	826-520C82	DIV BOX 540RPM 1 3/4-20 ORANGE		
29.	826-520C83	DIV BOX 540RPM 1 3/4-20 RED		
29.	826-521C	DIV BOX 1000RPM 1 3/4-20	RCM5615 RCCM5615	
29.	826-521C81	DIV BOX 1000RPM 1 3/4-20 GREEN		
29.	826-521C82	DIV BOX 1000RPM ORANGE		
29.	826-521C83	DIV BOX 1000RPM 1 3/4-20 RED		
30.	803-037C	NUT HEX WHIZ 1/2-13 PLT		
31.	802-091C	HHCS 1/2-13X1 1/2 GR5		
32.	804-017C	WASHER FLAT 1/2 USS PLT		
33.	807-073C	SPRING HOSE LOOP HEAVY		
34.	840-273C	PLUG LP 3" ID RUBBER		
35.	318-746D	PLATE, DIV. BOX SUPPORT		
36.	804-022C	WASHER LOCK SPRING 5/8 PLT	ITG BOX	
36.	804-023C	WASHER LOCK SPRING 3/4 PLT	OMNI BOX	
37.	802-053C	HHCS 5/8-11X1 3/4 GR5	ITG BOX	
37.	802-392C	HHCS 3/4-10X1 3/4 GR5	OMNI BOX	
38.	330-754K	LIFT LUG STRUT KIT	Service Kit S/N 659249-	
39.	330-267D	STRUT BAR	Service Part S/N 659249-	
40.	330-268D	SPACER	Service Part S/N 659249-	
41.	330-269D	SPACER SHORT	Service Part S/N 659249-	
42.	802-062C	HHCS 5/8-11X5 GR5	Service Part S/N 659249-	
43.	804-029C	WASHER FLAT 1 SAE	Service Part S/N 659249-	
44.	805-104C	PIN COTTER 3/16 X 1 1/2 PLT	Service Part S/N 659249-	
45.	805-131C	PIN CLEVIS 1 X 4 11/16 USABLE	Service Part S/N 659249-	

***Deck Center Section (RC56) (continued)***

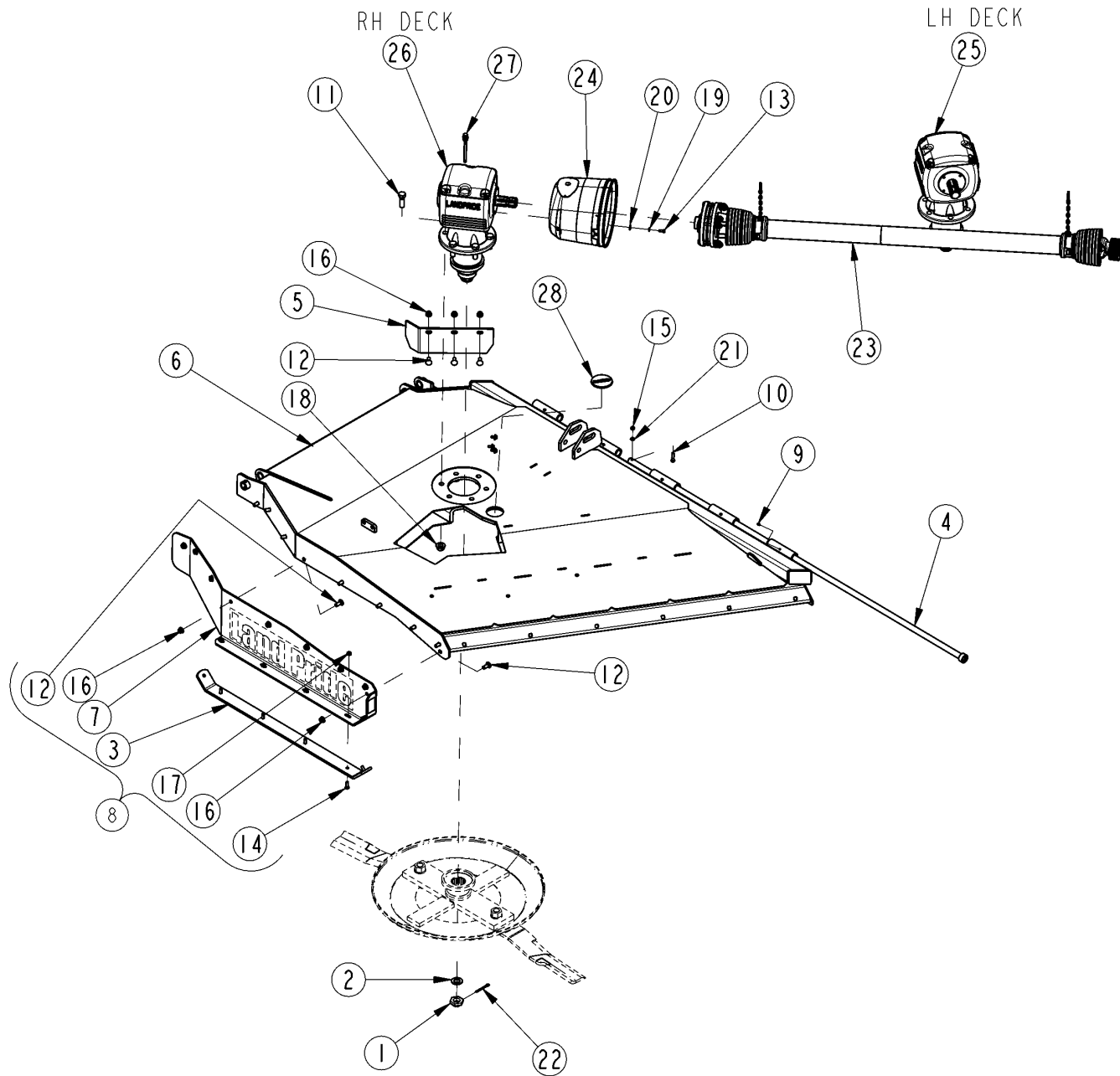
---

**Applies to RCC5615, RCCM5615**

***This Page Intentionally Left Blank***

# Deck Wing Section (RC56)

Applies to RCC5615, RCCM5615



26554

**Deck Wing Section (RC56)****Applies to RCC5615, RCCM5615**

Ref	Part No.	Part Description	Comments	Revision
	dwg26554	Drawing Image Number		
1.	8.2.2.00555	CO NUT, CASTLE M30 X 2		
2.	0.288.7101.00	CO BLANK WASHER		
3.	318-633D	SKID SHOE		
4.	318-696H	WLDMT. HINGE ROD		
4.	318-696H81	WLDMT. HINGE ROD GREEN		
4.	318-696H82	WLDMT. HINGE ROD ORANGE		
4.	318-696H83	WLDMT. HINGE ROD RED		
5.	318-927D	DEFLECTOR RH		
5.	318-928D	DEFLECTOR LH		
6.	330-187H	DECK, RH WING WO/DR	No Deck Rings	
6.	330-187H81	DECK RH WING WO/DR GREEN		
6.	330-187H82	DECK RH WING WO/DR ORANGE		
6.	330-187H83	DECK RH WING WO/DR RED		
6.	330-188H	DECK, LH WING WO/DR	No Deck Rings	
6.	330-188H81	DECK LH WING WO/DR GREEN		
6.	330-188H82	DECK LH WING WO/DR ORANGE		
6.	330-188H83	DECK LH WING WO/DR RED		
6.	330-190H	DECK, RH WING W/DR	With Deck Rings Not Available on RCC(M)5615	
6.	330-190H81	DECK, RH WING W/DR GREEN		
6.	330-190H82	DECK, RH WING W/DR ORANGE		
6.	330-190H83	DECK, RH WING W/DR RED		
6.	330-191H	DECK, LH WING W/DR	With Deck Rings Not Available on RCC(M)5615	
6.	330-191H81	DECK, LH WING W/DR GREEN		
6.	330-191H82	DECK, LH WING W/DR ORANGE		
6.	330-191H83	DECK, LH WING W/DR RED		
7.	N/A	PANEL, SIDE SKIRT RH	Order 330-219S Per Color Option	
7.	N/A	PANEL, SIDE SKIRT LH	Order 330-220S Per Color Option	
8.	330-219S	ASSY, SIDE SKIRT RH		
8.	330-219S81	ASSY, SIDE SKIRT RH GREEN		
8.	330-219S82	ASSY, SIDE SKIRT RH ORANGE		
8.	330-219S83	ASSY, SIDE SKIRT RH RED		
8.	330-220S	ASSY, SIDE SKIRT LH		
8.	330-220S81	ASSY, SIDE SKIRT LH GREEN		
8.	330-220S82	ASSY, SIDE SKIRT LH ORANGE		
8.	330-220S83	ASSY, SIDE SKIRT LH RED		
9.	800-080C	GREASE ZERK 1/4-28 THD FORMING		
10.	802-022C	HHCS 3/8-16X1 1/2 GR5		
11.	802-065C	HHCS 3/4-10X2 1/4 GR5		
12.	802-214C	RHSNB 1/2-13X1 1/4 GR5		
13.	802-314C	HHCS M8X1.25X20 GR8.8		
14.	802-466C	PLOW 3/8-16X1 1/4 GR5		
15.	803-014C	NUT HEX 3/8-16 PLT		
16.	803-037C	NUT HEX WHIZ 1/2-13 PLT		
17.	803-198C	NUT HEX WHIZ 3/8-16 PLT		
18.	803-299C	NUT HEX FLG TOP LK 3/4-10 PLT		
19.	804-009C	WASHER LOCK SPRING 5/16 PLT		
20.	804-010C	WASHER FLAT 5/16 USS PLT		
21.	804-013C	WASHER LOCK SPRING 3/8 PLT		
22.	805-105C	PIN COTTER 1/4 X 2 1/2 PLT		
23.	826-185C	PTO CAT.4 W/CLUTCH 1 3/4-20	RC5615, RCM5615, RCC5615 & RCCM5615 Cat 4	
23.	826-481C	PTO V80 X 59.3 1280NM CLUTCH	RC5615, RCM5615, RCC5615 & RCCM5615 Cat 5	
24.	826-648C	LARGE SHAFT CONE W ACCESS DOOR		
25.	826-315C	GBOX RC50 1:1.46 CCW	RC5615 RCC5615 LH	

***Deck Wing Section (RC56) (continued)***

---

**Applies to RCC5615, RCCM5615**

<b>Ref</b>	<b>Part No.</b>	<b>Part Description</b>	<b>Comments</b>	<b>Revision</b>
25.	826-315C81	GBOX RC50 1:1.46 CCW GREEN		
25.	826-315C82	GBOX RC50 1:1.46 CCW ORANGE		
25.	826-315C83	GBOX RC50 1:1.46 CCW RED		
25.	826-317C	GBOX RCM50 1.75-20 1:1.21 CCW	RCM5615 RCCM5615 LH	
25.	826-317C81	GB 1.75-20 1:1.21 CCW GREEN		
25.	826-317C82	GBOX RCM50 1:1.21 CCW ORANGE		
25.	826-317C83	GB RCM50 1.75-20 1:1.21CCW RED		
26.	826-316C	GBOX RC50 1:1.46 CW	RC5615 RCC5615 RH	
26.	826-316C81	GB 1.75-20 1:1.46 CW GREEN		
26.	826-316C82	GBOX RC50 1:1.46 CW ORANGE		
26.	826-316C83	GB RC50 1.75-20 1:1.46 CW RED		
26.	826-319C	GBOX RCM50 1.75-20 1:1.21 CW	RCM5615 RCCM5615 RH	
26.	826-319C81	GBOX RCM50 1.75-20 1:1.21 CW GREEN		
26.	826-319C82	GBOX RCM50 1.75-20 1:1.21 CW ORANGE		
26.	826-319C83	GBOX RCM50 1.75-20 1:1.21 CW RED		
27.	826-486C	COMER U0.125.7003.00 OIL PLUG		
28.	840-273C	PLUG LP 3" ID RUBBER		

***Deck Wing Section (RC56) (continued)***

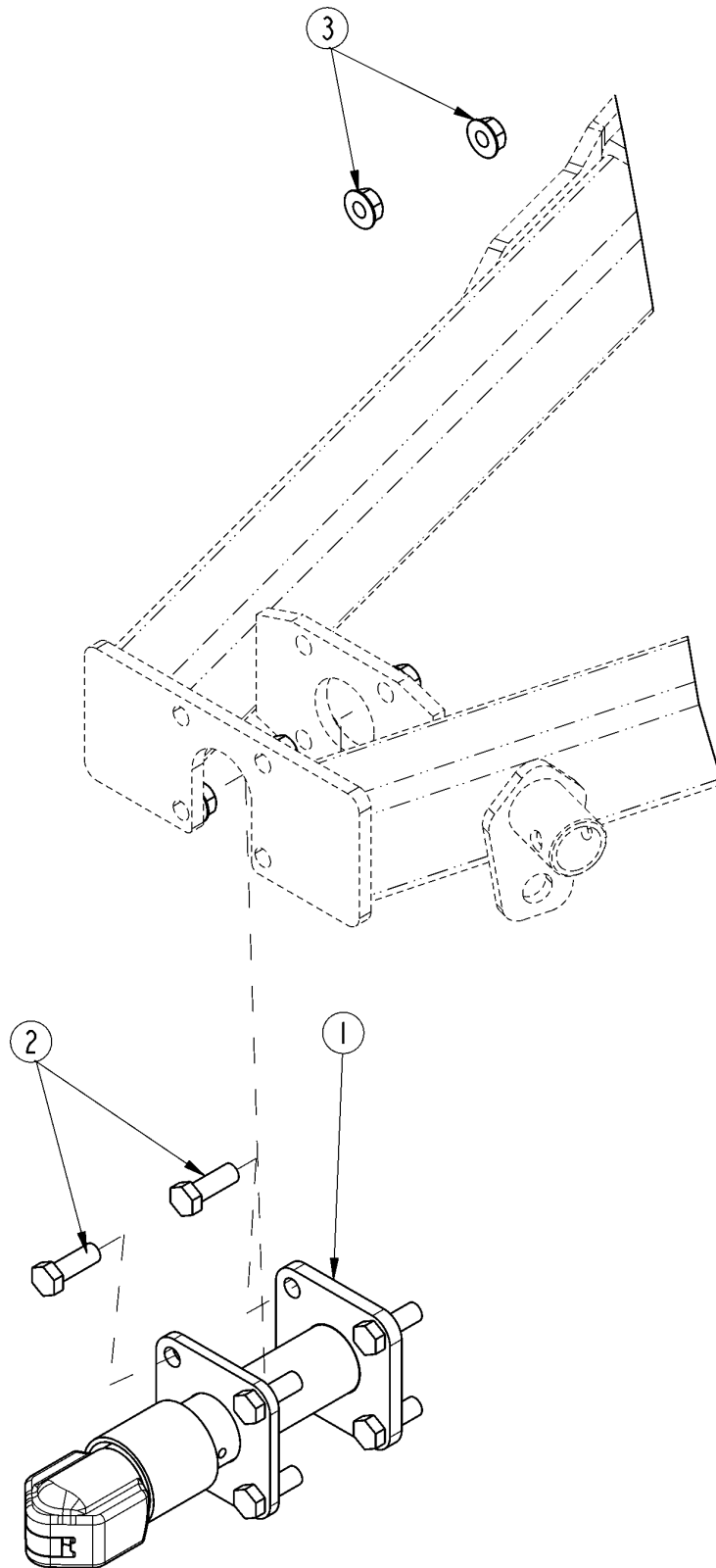
---

**Applies to RCC5615, RCCM5615**

***This Page Intentionally Left Blank***

# Hitch Ball Coupler

Applies to RCC5615, RCCM5615



26568



## ***Hitch Ball Coupler***

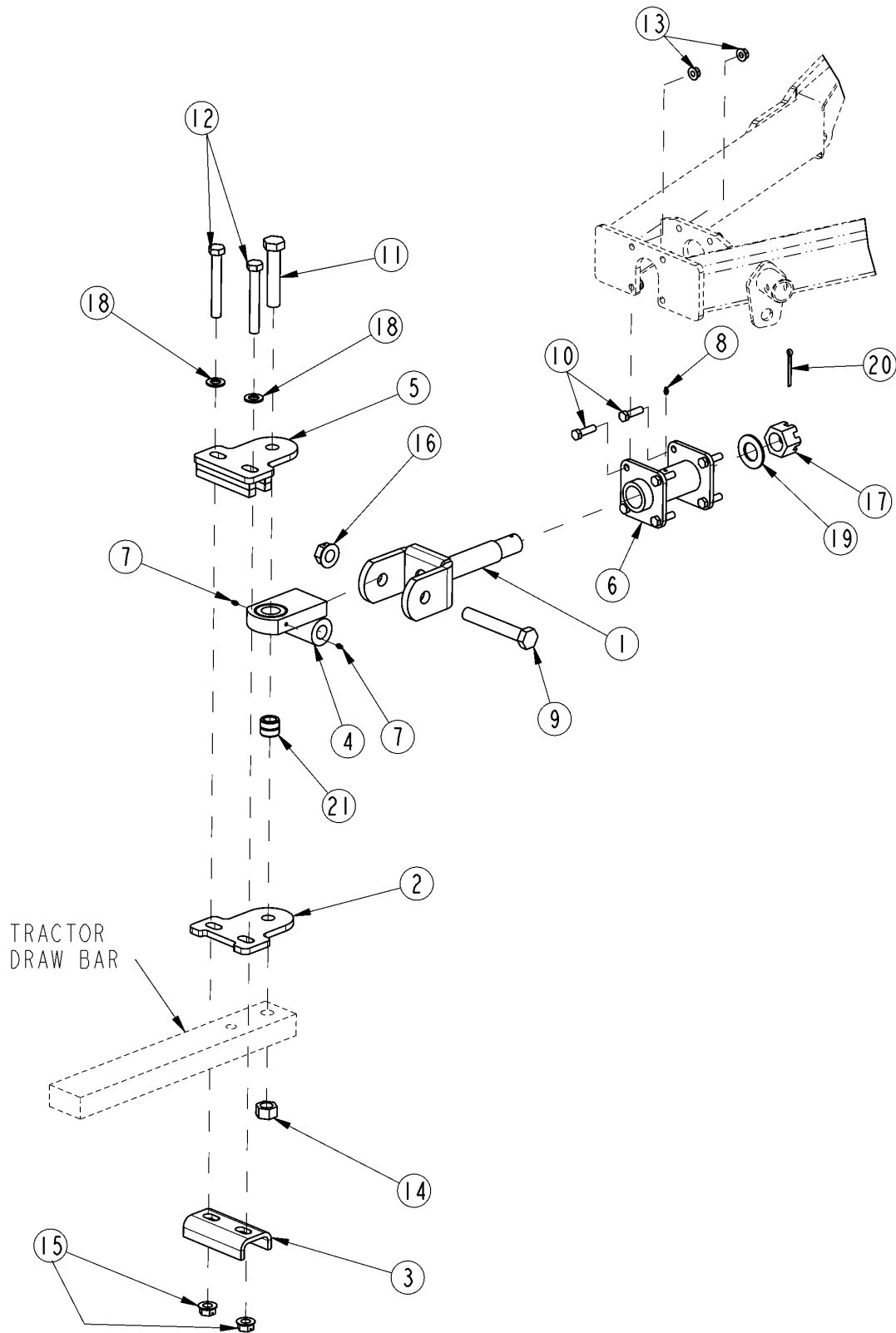
---

### **Applies to RCC5615, RCCM5615**

<b>Ref</b>	<b>Part No.</b>	<b>Part Description</b>	<b>Comments</b>	<b>Revision</b>
	dwg26568	Drawing Image Number		
	330-335A	BALL HITCH *		
1.	330-348H	BALL HITCH		
2.	802-053C	HHCS 5/8-11X1 3/4 GR5	S/N 615584+	
2.	802-082C	HHCS 1/2-13X1 3/4 GR5	S/N 615583-	
3.	803-304C	NUT HEX WHIZ 5/8-11 PLT	S/N 615584+	
3.	803-037C	NUT HEX WHIZ 1/2-13 PLT	S/N 615583-	

**Hitch Bar Tite**

Applies to RCC5615, RCCM5615



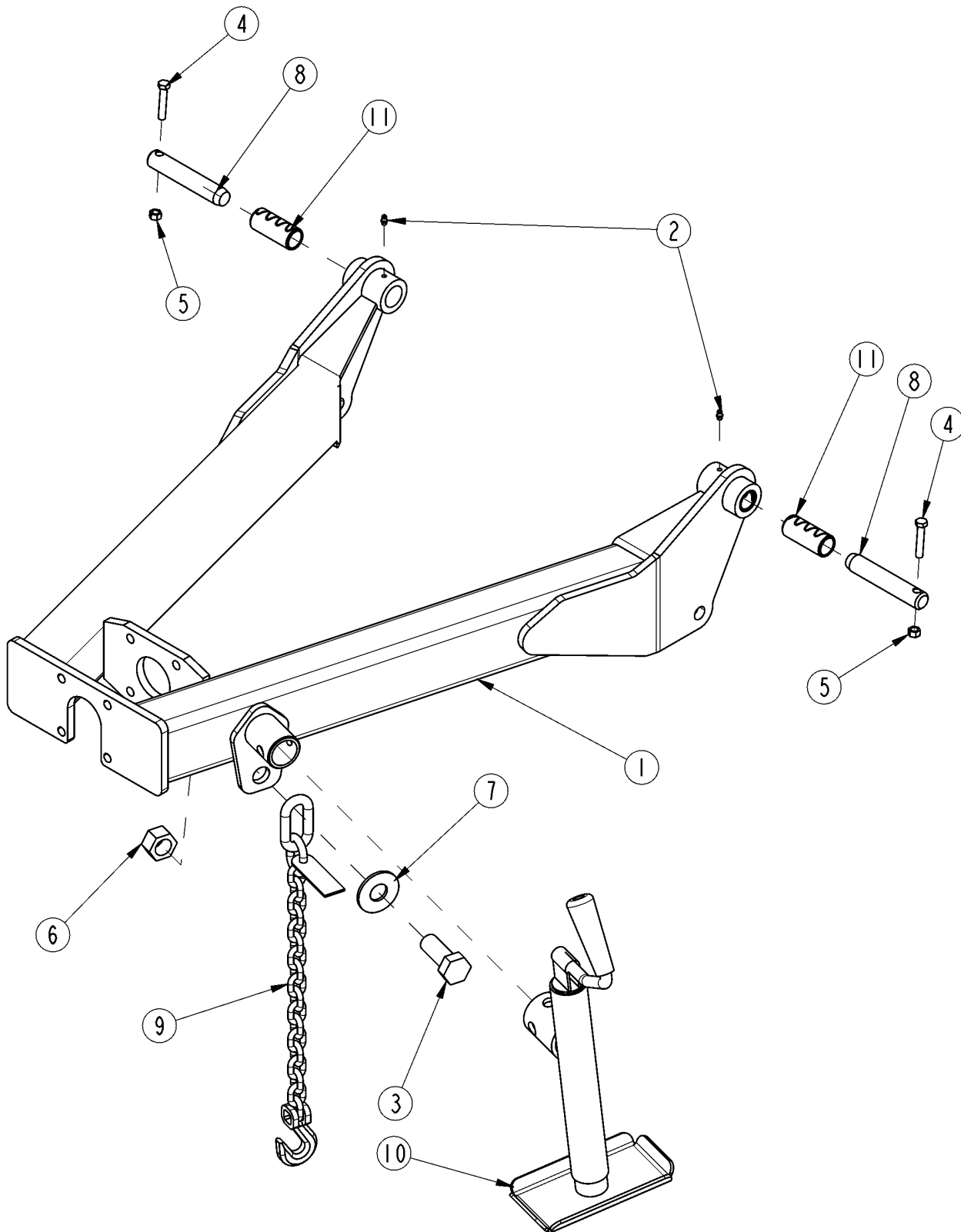
26569

**Hitch Bar Tite****Applies to RCC5615, RCCM5615**

Ref	Part No.	Part Description	Comments	Revision
	dwg26569 330-333A	Drawing Image Number BAR TITE HITCH *		
1.	318-358H	SHAFT WELDMENT		
2.	318-691D	HITCH TOP PLATE		
3.	318-693D	FORMED HITCH SUPPORT		
4.	318-834H	WELDMENT HITCH CLEVIS		
5.	318-835H	WELDMENT HITCH BASE		
6.	330-271H	SWIVEL RECEIVER		
7.	800-001C	GREASE ZERK STRAIGHT 1/4-28		
8.	800-080C	GREASE ZERK 1/4-28 THD FORMING		
9.	802-074C	HHCS 1-8X6 1/2 GR5		
10.	802-053C	HHCS 5/8-11X1 3/4 GR5	S/N 615584+	
10.	802-082C	HHCS 1/2-13X1 3/4 GR5	S/N 615583-	
11.	802-235C	HHCS 1-8X5 GR5		
12.	802-594C	HHCS 3/4-10X5 1/2 GR5		
13.	803-304C	NUT HEX WHIZ 5/8-11 PLT	S/N 615584+	
13.	803-037C	NUT HEX WHIZ 1/2-13 PLT	S/N 615583-	
14.	803-168C	NUT HEX TOP LOCK 1-8 PLT		
15.	803-181C	NUT HEX FLANGE LOCK 3/4-10 PLT		
16.	803-258C	NUT HEX FLG LOCK 1-8 GR B PLT		
17.	803-301C	NUT HEX SLOTTED 1 1/2-6 PLT		
18.	804-025C	WASHER FLAT 3/4 SAE PLT		
19.	804-171C	WASHER FLAT 1 3/8HARD ASTM436		
20.	805-105C	PIN COTTER 1/4 X 2 1/2 PLT		
21.	890-862C	BUSHING 1.50ODX1.00IDX1.25		

# Hitch Main Frame

Applies to RCC5615, RCCM5615



26556

**Hitch Main Frame**

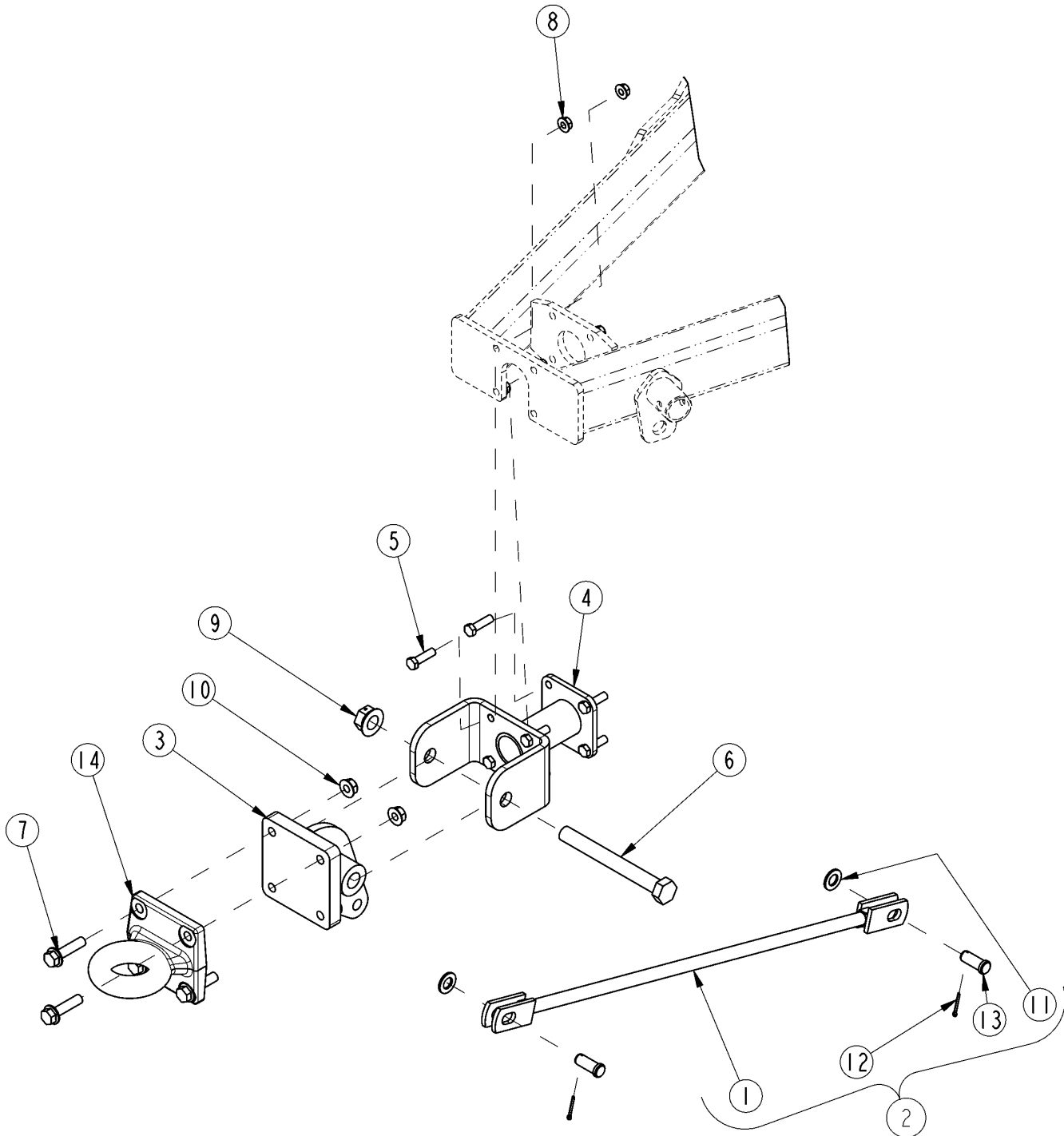
---

**Applies to RCC5615, RCCM5615**

<b>Ref</b>	<b>Part No.</b>	<b>Part Description</b>	<b>Comments</b>	<b>Revision</b>
	dwg26556	Drawing Image Number		
1.	330-222H	HITCH		
2.	800-080C	GREASE ZERK 1/4-28 THD FORMING		
3.	802-096C	HHCS 1-8X2 1/2 GR5		
4.	802-143C	HHCS 3/8-16X2 GR5		
5.	803-013C	NUT LOCK 3/8-16 PLT		
6.	803-316C	NUT HEX SIDE LOCK 1-8 PLT		
7.	804-028C	WASHER FLAT 1 USS PLT		
8.	805-292C	PIN 1 X 5 1/2 HRD PLT		
9.	890-182C	SAFETY CHAIN 10000 LB		
10.	890-786C	SIDEWIND JACK 7000 LB		
11.	890-970C	BUSHING 1.25ODX1.00IDX2.87		

# Hitch Pintel

Applies to RCC5615, RCCM5615



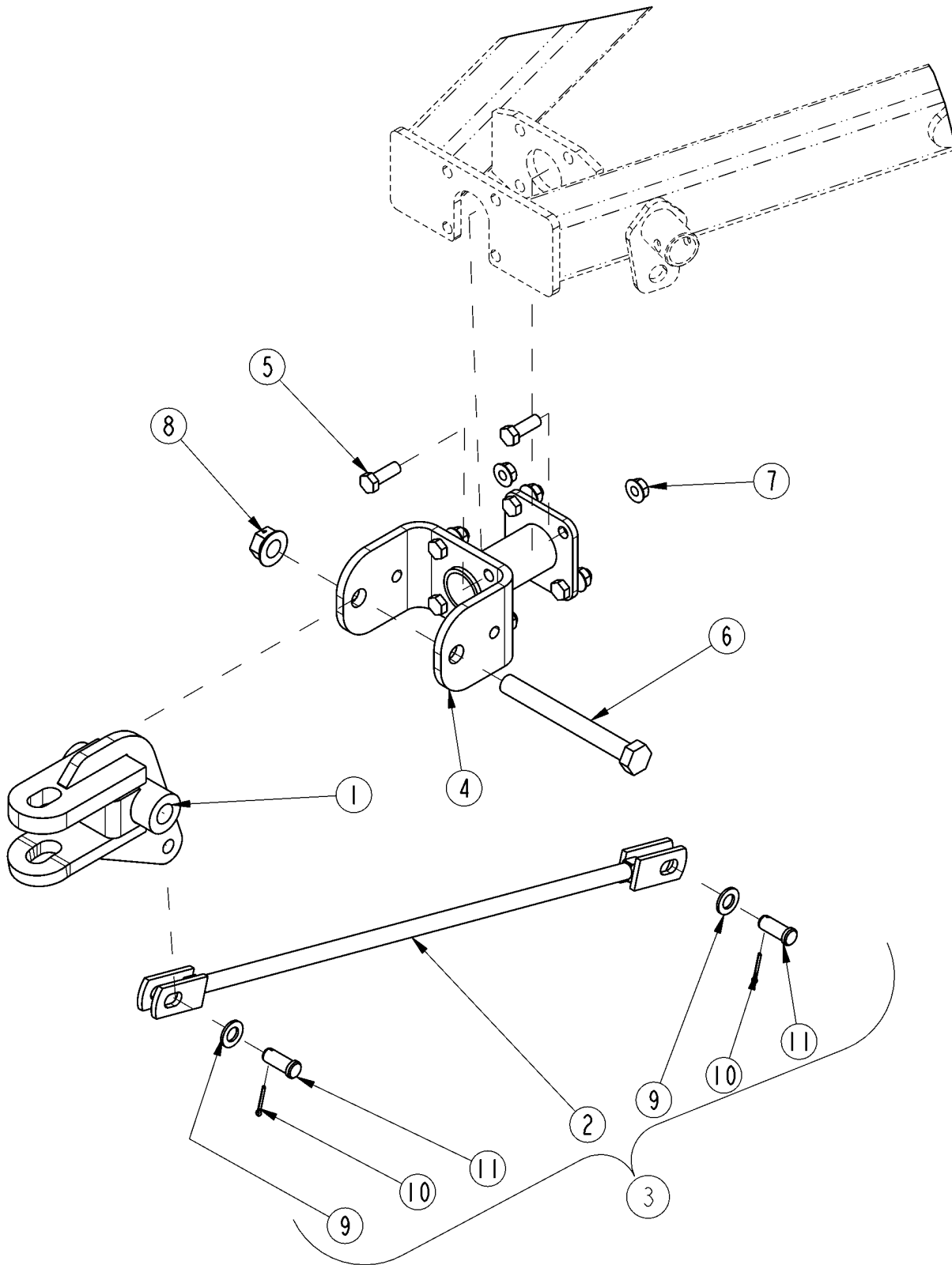
26570

**Hitch Pintel****Applies to RCC5615, RCCM5615**

Ref	Part No.	Part Description	Comments	Revision
	dwg26570 330-334A	Drawing Image Number PINTLE HITCH *		
1.	318-006H	WLDMT. CLEVIS LEVEL ROD		
2.	318-053L	ASSY. LEVEL ROD CLEVIS		
3.	318-556H	WLDMT. PINTLE HITCH CLEVIS		
4.	330-223H	YOKE HITCH		
5.	802-053C	HHCS 5/8-11X1 3/4 GR5	S/N 615584+	
5.	802-082C	HHCS 1/2-13X1 3/4 GR5	S/N 615583-	
6.	802-110C	HHCS 1-8X9 GR5		
7.	802-729C	HFS 5/8-11X2 1/2 GR8 PLT		
8.	803-304C	NUT HEX WHIZ 5/8-11 PLT	S/N 615584+	
8.	803-037C	NUT HEX WHIZ 1/2-13 PLT	S/N 615583-	
9.	803-258C	NUT HEX FLG LOCK 1-8 GR B PLT		
10.	803-304C	NUT HEX WHIZ 5/8-11 PLT		
11.	804-025C	WASHER FLAT 3/4 SAE PLT		
12.	805-045C	PIN COTTER 5/32 X 1 1/4 LG		
13.	805-083C	PIN CLEVIS 3/4 X 1 1/2		
14.	890-806C	PINTLE HOOK SQ.BASE BDB1250-15		

# Hitch Standard Pivoting Clevis

Applies to RCC5615, RCCM5615



26557

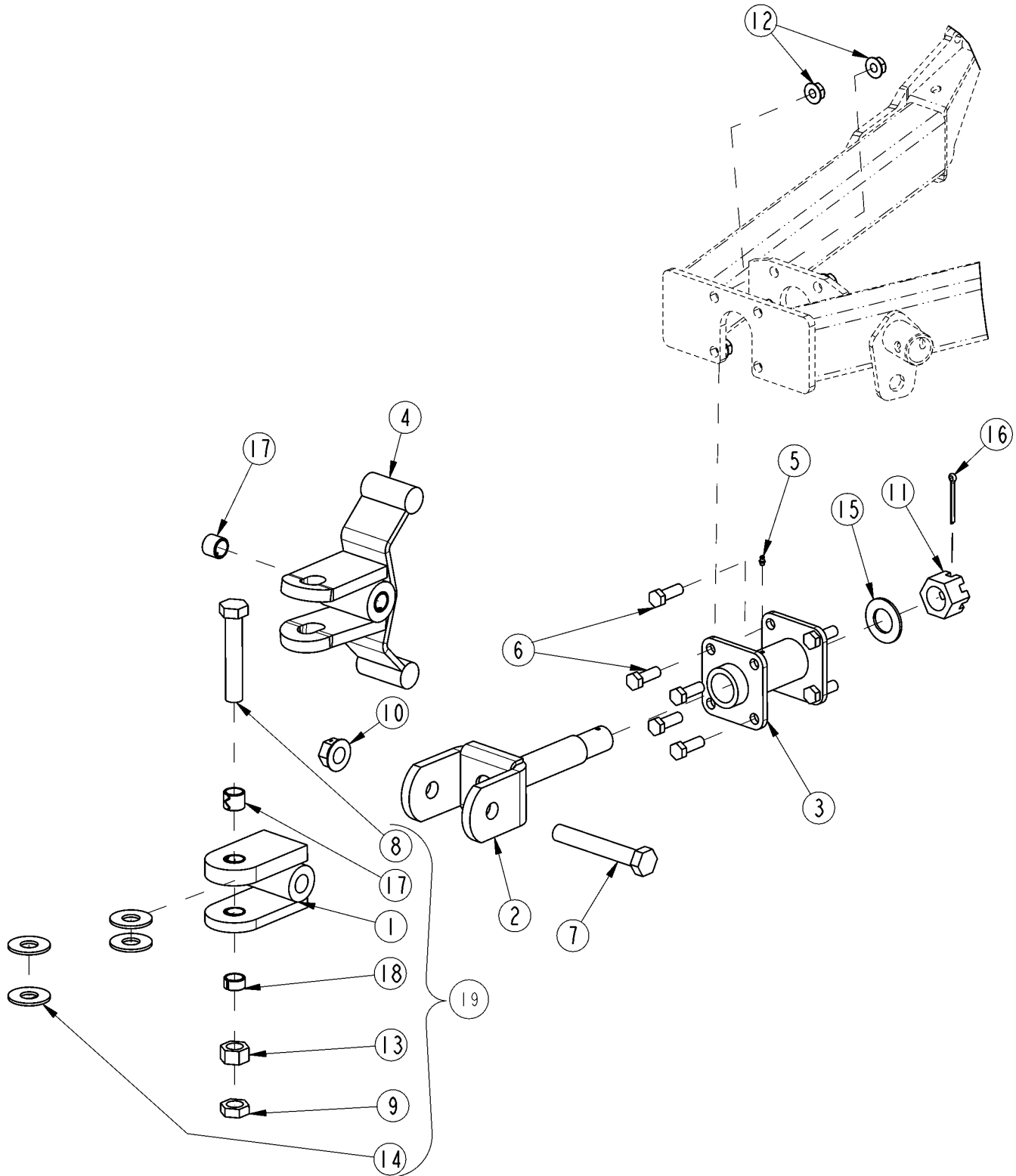


***Hitch Standard Pivoting Clevis*****Applies to RCC5615, RCCM5615**

<b>Ref</b>	<b>Part No.</b>	<b>Part Description</b>	<b>Comments</b>	<b>Revision</b>
	dwg26557 330-225A	Drawing Image Number STANDARD HITCH *		
1.	318-005H	WLDMT. TONGUE CLEVIS		
2.	318-006H	WLDMT. CLEVIS LEVEL ROD		
3.	318-053L	ASSY. LEVEL ROD CLEVIS		
4.	330-223H	YOKE HITCH		
5.	802-053C	HHCS 5/8-11X1 3/4 GR5	S/N 615584+	
5.	802-082C	HHCS 1/2-13X1 3/4 GR5	S/N 615583-	
6.	802-110C	HHCS 1-8X9 GR5		
7.	803-304C	NUT HEX WHIZ 5/8-11 PLT	S/N 615584+	
7.	803-037C	NUT HEX WHIZ 1/2-13 PLT	S/N 615583-	
8.	803-258C	NUT HEX FLG LOCK 1-8 GR B PLT		
9.	804-025C	WASHER FLAT 3/4 SAE PLT		
10.	805-045C	PIN COTTER 5/32 X 1 1/4 LG		
11.	805-083C	PIN CLEVIS 3/4 X 1 1/2		

# Hitch Swivel

Applies to RCC5615, RCCM5615



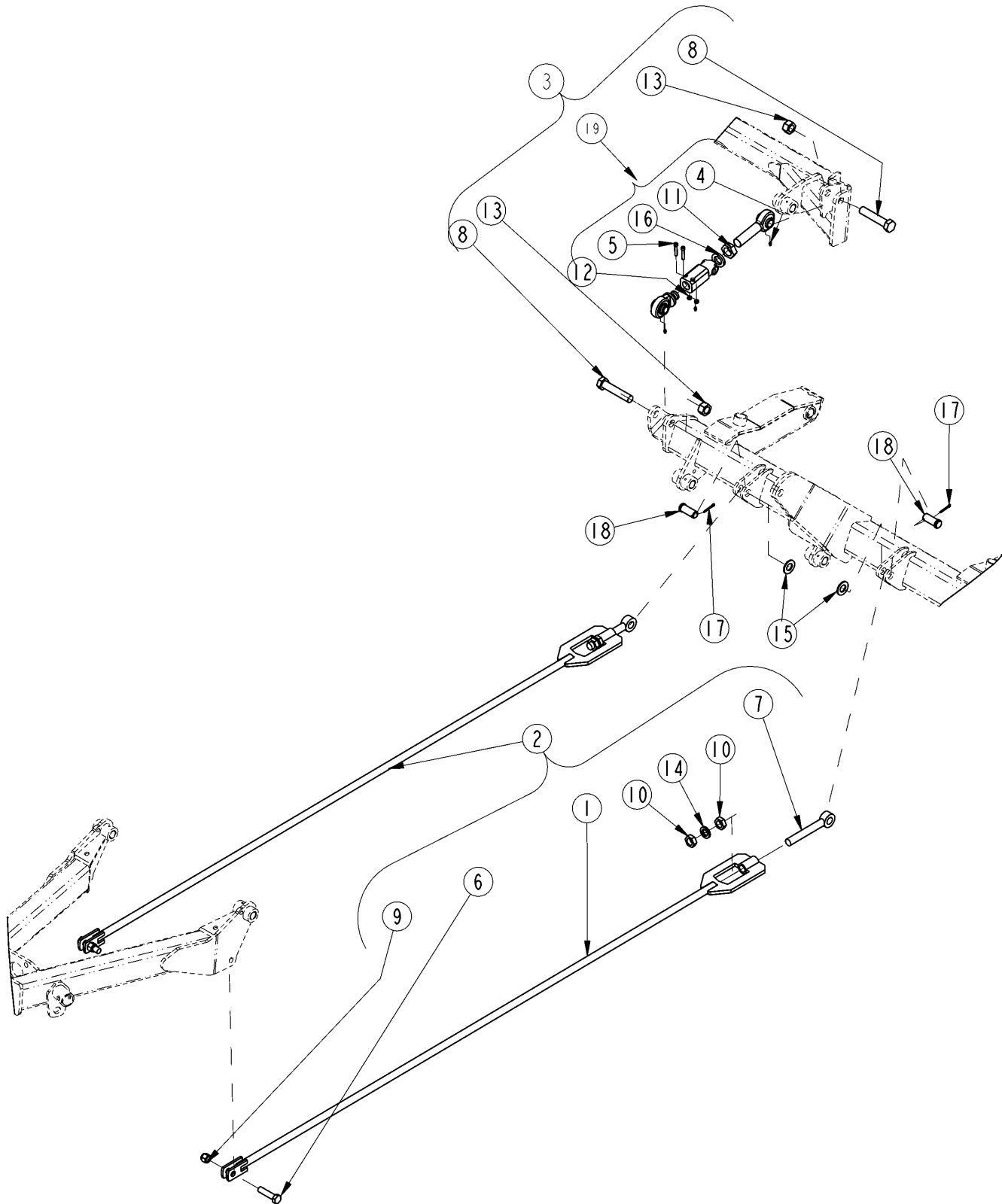
26571

**Hitch Swivel****Applies to RCC5615, RCCM5615**

Ref	Part No.	Part Description	Comments	Revision
	dwg26571 330-332A	Drawing Image Number SWIVEL HITCH *		
1.	318-357H	CLEVIS WELDMENT		
2.	318-358H	SHAFT WELDMENT		
3.	330-271H	SWIVEL RECEIVER		
4.	330-321H	CLEVIS SWIVEL	Replaced By 330-648S	
5.	800-080C	GREASE ZERK 1/4-28 THD FORMING		
6.	802-053C	HHCS 5/8-11X1 3/4 GR5	S/N 615584+	
6.	802-082C	HHCS 1/2-13X1 3/4 GR5	S/N 615583-	
7.	802-074C	HHCS 1-8X6 1/2 GR5		
8.	802-205C	HHCS 1-8X5 1/2 GR5		
9.	803-030C	NUT HEX JAM 1-8 PLT		
10.	803-258C	NUT HEX FLG LOCK 1-8 GR B PLT		
11.	803-301C	NUT HEX SLOTTED 1 1/2-6 PLT		
12.	803-304C	NUT HEX WHIZ 5/8-11 PLT	S/N 615584+	
12.	803-037C	NUT HEX WHIZ 1/2-13 PLT	S/N 615583-	
13.	803-031C	NUT HEX 1-8 PLT		
14.	804-028C	WASHER FLAT 1 USS PLT		
15.	804-171C	WASHER FLAT 1 3/8HARD ASTM436		
16.	805-105C	PIN COTTER 1/4 X 2 1/2 PLT		
17.	890-005C	BUSHING CYL 1 1/4 X 1 X 1		
18.	890-850C	BUSHING 1 1/4X1X5/8		
19.	330-648S	ASSY SWIVEL CLEVIS		

# Leveling Rod & Wing Turnbuckle

Applies to RCC5615, RCCM5615



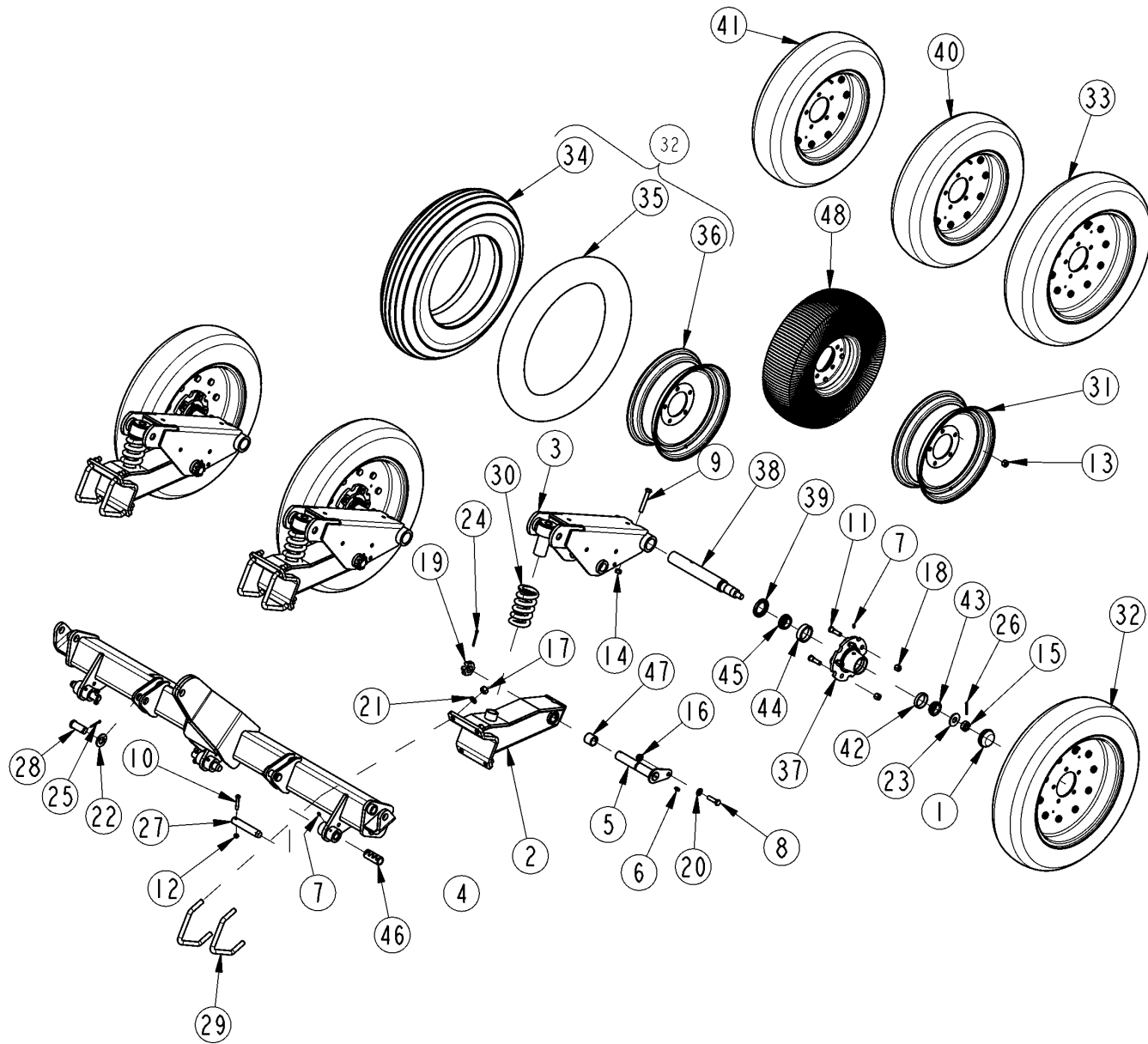
26550

**Leveling Rod & Wing Turnbuckle****Applies to RCC5615, RCCM5615**

<b>Ref</b>	<b>Part No.</b>	<b>Part Description</b>	<b>Comments</b>	<b>Revision</b>
	dwg26550	Drawing Image Number		
1.	330-195H	LEVELING ROD		
2.	330-196L	ASY LEVELING ROD		
3.	330-224K	TURNBUCKLE KIT		
4.	800-001C	GREASE ZERK STRAIGHT 1/4-28		
5.	802-538C	HSHCS 5/16-18X1 3/4		
6.	802-552C	HHCS 3/4-10X3 GR8		
7.	802-754C	EYE BOLT 1-8X6 1/2 LG PLT SP		
8.	802-915C	HHCS 1-8X5 GR8 PLT SPTHD		
9.	803-025C	NUT HEX 3/4-10 PLT NYLOCK		
10.	803-030C	NUT HEX JAM 1-8 PLT		
11.	803-032C	NUT HEX JAM 1 1/4-7 PLT		
12.	803-084C	NUT HEX NYLOCK 5/16-18 PLT		
13.	803-316C	NUT HEX SIDE LOCK 1-8 PLT		
14.	804-027C	WASHER LOCK SPRING 1 PLT		
15.	804-029C	WASHER FLAT 1 SAE		
16.	804-030C	WASHER LOCK 1 1/4 SPRING PLT		
17.	805-104C	PIN COTTER 3/16 X 1 1/2 PLT		
18.	805-374C	PIN CLEVIS 1 X 2 1/16 USABLE		
19.	890-974C	TRNBCKL, 1BORE W/SWIVEL 9.5		

# Axle Center Row Crop

Applies to RCC5615, RCCM5615



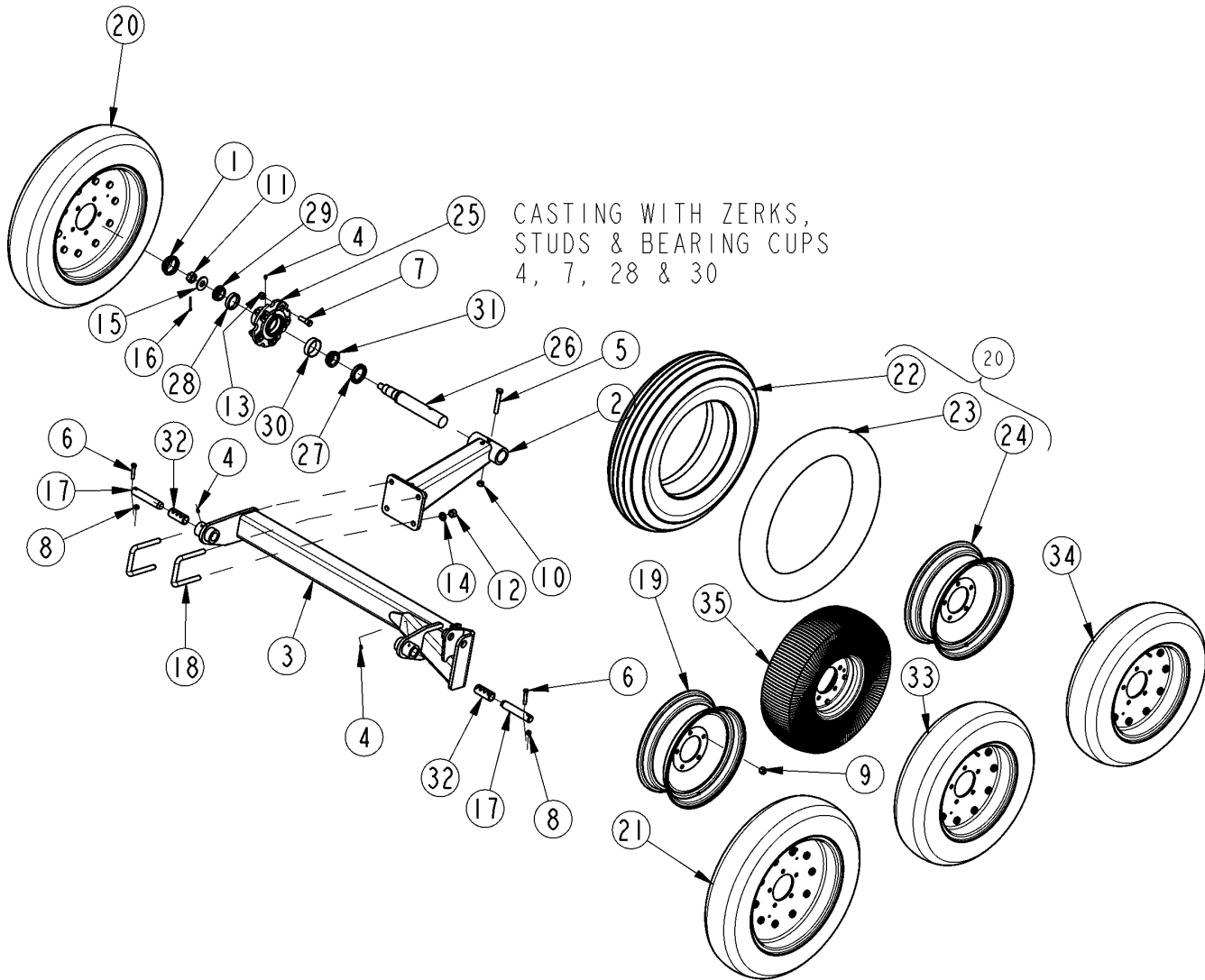
26642

**Axle Center Row Crop****Applies to RCC5615, RCCM5615**

Ref	Part No.	Part Description	Comments	Revision
	dwg26642	Drawing Image Number		
1.	200-001D	HUB GREASE CAP		
2.	330-178H	WLDMT, AXLE SPRING BASE		
3.	330-179H	TRAILING ARM CENTER		
4.	330-199H	AXLE REAR CROP		
5.	330-607H	PIVOT PIN TRAILING ARM		
6.	800-073C	GREASE ZERK 1/4-28 X 90-DEG		
7.	800-080C	GREASE ZERK 1/4-28 THD FORMING		
8.	802-082C	HHCS 1/2-13X1 3/4 GR5		
9.	802-099C	HHCS 1/2-13X3 1/4 GR5		
10.	802-143C	HHCS 3/8-16X2 GR5		
11.	802-779C	HUB STUD 1/2-20X1.88 GR5		
12.	803-013C	NUT LOCK 3/8-16 PLT		
13.	803-017C	NUT LUG 1/2-20X90DEG PLT 13/16		
14.	803-019C	NUT LOCK 1/2-13 PLT		
15.	803-053C	NUT HEX SLOTTED 3/4-16		
16.	803-169C	NUT HEX FLG LOCK 1/2-13 PLT		
17.	803-271C	NUT HEX TOP LOCK 5/8-11 PLT		
18.	803-310C	NUT HEX 1/2-20 X 5/8 HIGH		
19.	803-381C	NUT HEX JAM SLOTTED 1 1/4-7		
20.	804-016C	WASHER FLAT 1/2 SAE PLT		
21.	804-022C	WASHER LOCK SPRING 5/8 PLT		
22.	804-029C	WASHER FLAT 1 SAE		
23.	804-216C	WASHER HARDENED 3/4		
24.	805-058C	PIN COTTER 3/16 X 2		
25.	805-104C	PIN COTTER 3/16 X 1 1/2 PLT		
26.	805-246C	PIN COTTER 5/32 X 1 3/4 LG		
27.	805-292C	PIN 1 X 5 1/2 HRD PLT		
28.	805-374C	PIN CLEVIS 1 X 2 1/16 USABLE		
29.	806-207C	U-BOLT 5/8-11 X 5 3/8 3 CORNER		
30.	807-271C	SPRING COMP 3.20OD .63W 5.5L		
31.	814-284C	WHEEL 15 X 5 X 5 BOLT		
32.	814-286C	AC TIRE 27X7.75X15 5-BOLT		
33.	814-287C	AC TIRE FF 27X7.75X15 5-BOLT	Foam Filled	
34.	814-292C	TIRE 27X7.75-15 (814-286C)		
35.	814-293C	TUBE FOR 27X7.75-15(814-286C)		
36.	814-294C	RIM 2PC 5BLT 15X6 BLACK		
37.	815-243C	HUB 5-BOLT W/CUPS/STUDS		
38.	815-292C	SPINDLE, SINGLE AXLE		
39.	816-497C	SEAL 1.75ID CR17617		
40.	814-378C	TIRE, 24" 18 PLY, 5 BOLT		
41.	814-379C	TIRE, 24" 18 PLY RECAP, 5-BOLT		
42.	822-020C	BRG CUP LM-67010		
43.	822-021C	BRG CONE 1.25ID LM-67048		
44.	822-033C	BRG CUP LM-48510		
45.	822-034C	BRG CONE LM-48548		
46.	890-970C	BUSHING 1.25ODX1.00IDX2.87		
47.	891-177C	BHG 1.50ODX1.25X1.38		
48.	814-265C	TIRE & WHL LAM. 6X9X21(5-BOLT)		

# Axle Wing Row Crop

Applies to RCC5615, RCCM5615



26643

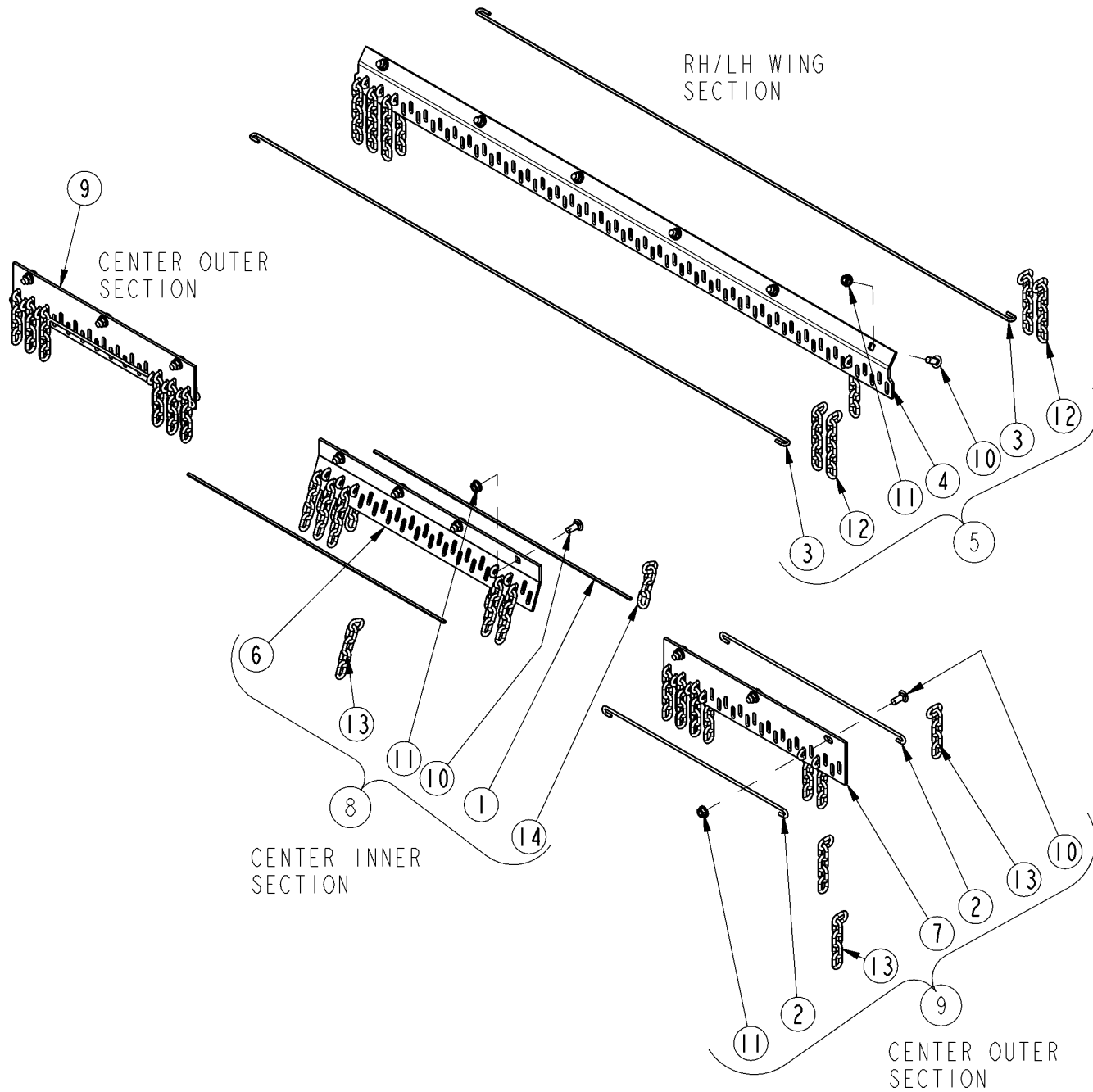


**Axle Wing Row Crop****Applies to RCC5615, RCCM5615**

Ref	Part No.	Part Description	Comments	Revision
	dwg26643	Drawing Image Number		
1.	200-001D	HUB GREASE CAP		
2.	330-183H	ARM, WING AXLE		
3.	330-200H	AXLE WING CROP RH		
3.	330-201H	AXLE WING CROP LH		
4.	800-080C	GREASE ZERK 1/4-28 THD FORMING		
5.	802-099C	HHCS 1/2-13X3 1/4 GR5		
6.	802-143C	HHCS 3/8-16X2 GR5		
7.	802-779C	HUB STUD 1/2-20X1.88 GR5		
8.	803-013C	NUT LOCK 3/8-16 PLT		
9.	803-017C	NUT LUG 1/2-20X90DEG PLT 13/16		
10.	803-019C	NUT LOCK 1/2-13 PLT		
11.	803-053C	NUT HEX SLOTTED 3/4-16		
12.	803-271C	NUT HEX TOP LOCK 5/8-11 PLT		
13.	803-310C	NUT HEX 1/2-20 X 5/8 HIGH		
14.	804-022C	WASHER LOCK SPRING 5/8 PLT		
15.	804-216C	WASHER HARDENED .81ID		
16.	805-246C	PIN COTTER 5/32 X 1 3/4 LG		
17.	805-292C	PIN 1 X 5 1/2 HRD PLT		
18.	806-006C	U-BOLT 5/8-11 X 3 17/32 X 5		
19.	814-284C	WHEEL 15 X 5 X 5 BOLT		
20.	814-286C	AC TIRE 27X7.75X15 5-BOLT		
21.	814-287C	AC TIRE FF 27X7.75X15 5-BOLT	Foam Filled	
22.	814-292C	TIRE 27X7.75-15 (814-286C)		
23.	814-293C	TUBE FOR 27X7.75-15(814-286C)		
24.	814-294C	RIM 2PC 5BLT 15X6 BLACK		
25.	815-243C	HUB 5-BOLT W/CUPS/STUDS		
26.	815-308C	SPINDLE SINGLE BOLT-ON		
27.	816-497C	SEAL 1.75ID CR17617		
28.	822-020C	BRG CUP LM-67010		
29.	822-021C	BRG CONE 1.25ID LM-67048		
30.	822-033C	BRG CUP LM-48510		
31.	822-034C	BRG CONE LM-48548		
32.	890-970C	BUSHING 1.25ODX1.00IDX2.87		
33.	814-378C	TIRE, 24" 18 PLY, 5 BOLT		
34.	814-379C	TIRE, 24" 18 PLY RECAP, 5-BOLT		
35.	814-265C	TIRE & WHL LAM. 6X9X21(5-BOLT)		

# Guards Chain Double Row Front

Applies to RCC5615, RCCM5615



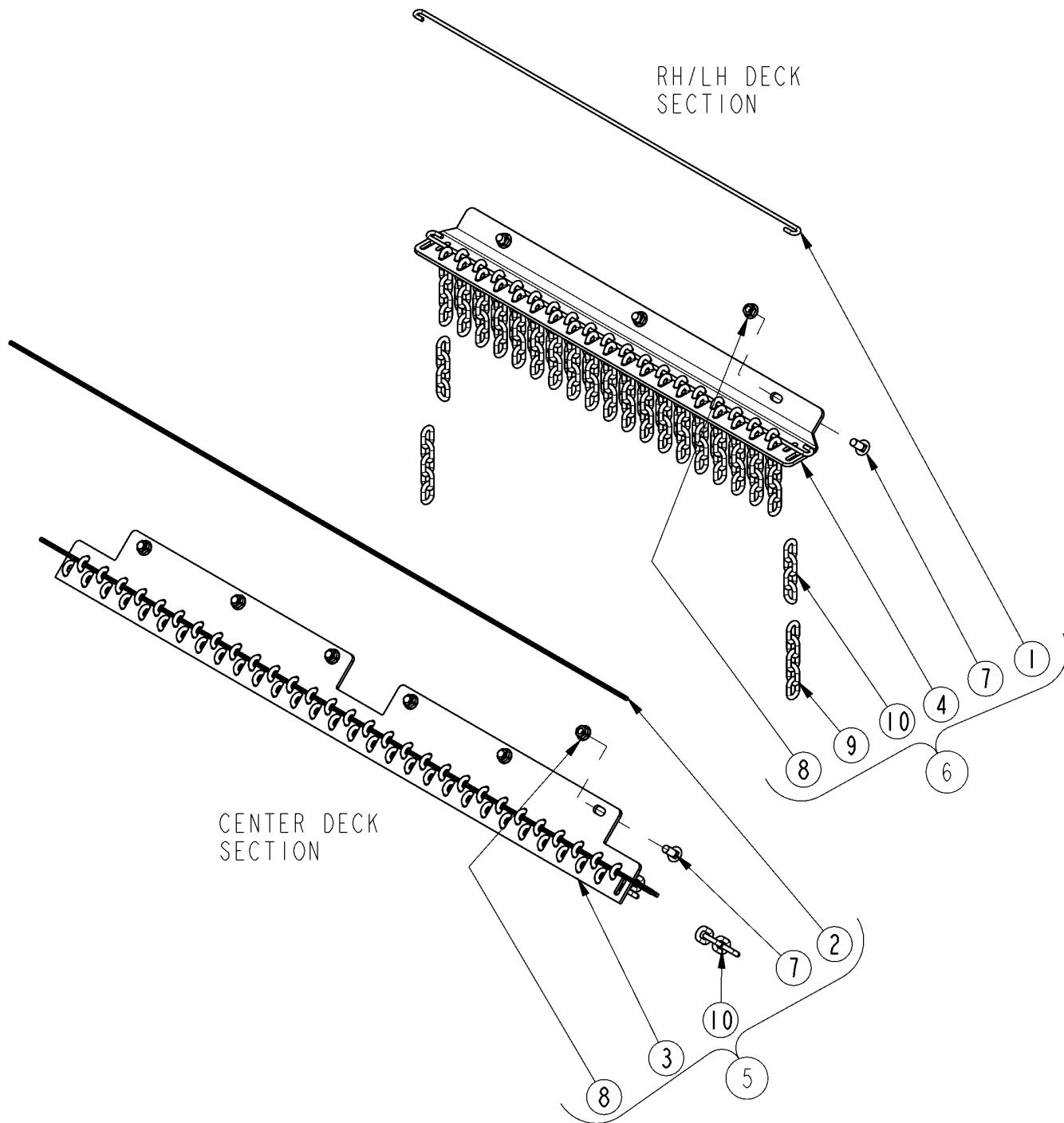
26545

**Guards Chain Double Row Front****Applies to RCC5615, RCCM5615**

<b>Ref</b>	<b>Part No.</b>	<b>Part Description</b>	<b>Comments</b>	<b>Revision</b>
	dwg26545 330-280A	Drawing Image Number CHAINGUARD DOUBLE FRONT *		
1.	318-107D	ROUND ROD 1/4 X 31 1/2		
2.	318-337D	ROUND ROD 1/4 X 25		
3.	318-617D	ROUND ROD .25 X 68.50		
4.	318-636D	CHAINGUARD, DBL FR WING		
5.	318-707K	CHAINGUARD, DBL FRT WING		
6.	318-932D	CHAINGUARD DBL FRT CTR INNER		
7.	318-966D	CHNGRD, DBL FRT CTR OUTER		
8.	330-238K	CHNGRD DBL FRT CTR INNER		
9.	330-274K	CHNGRD DBL FRT CTR OUTER		
10.	802-214C	RHSNB 1/2-13X1 1/4 GR5		
11.	803-037C	NUT HEX WHIZ 1/2-13 PLT		
12.	890-175C	CHAIN 5/16 PROOF X 6 LINKS PLT		
13.	890-341C	CHAIN WELD 5/16 PROOF X 5 LINK		
14.	890-400C	CHAIN WELD 5/16 PROOF X 4 LINK		

# Guards Chain Double Row Rear

Applies to RCC5615, RCCM5615



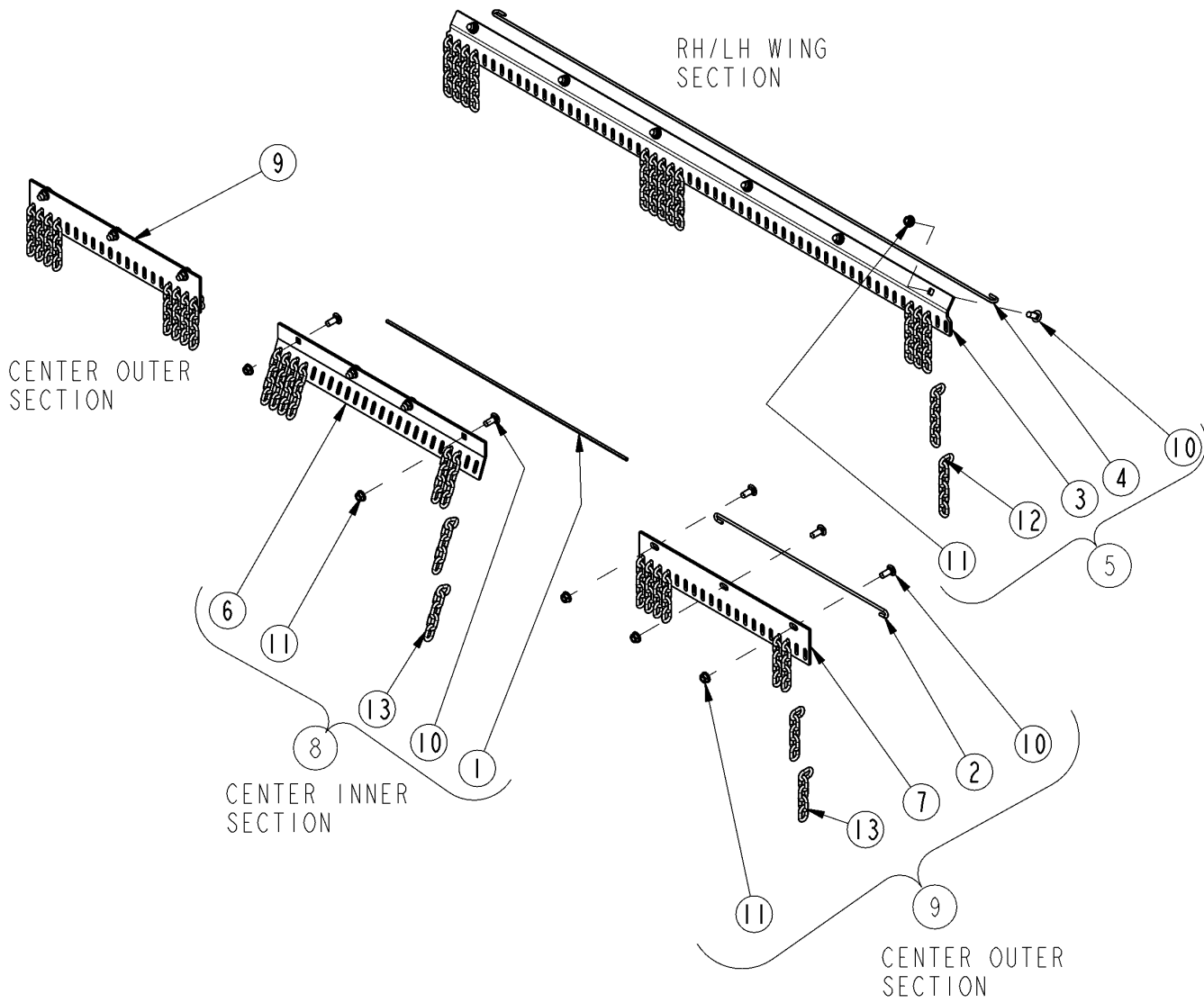
26547

**Guards Chain Double Row Rear****Applies to RCC5615, RCCM5615**

Ref	Part No.	Part Description	Comments	Revision
	dwg26547 330-283A	Drawing Image Number CHAINGUARD DOUBLE REAR *		
1.	312-889D	ROUND ROD 1/4 X 39		
2.	318-478D	ROUND ROD .25 X 59		
3.	318-930D	CHAINGUARD DBL REAR CTR		
4.	318-968D	CHNGRD DBL REAR WING LH	Shown	
4.	330-051D	CHNGRD DBL REAR WING RH		
5.	330-235K	CHNGRD DBL REAR CTR		
6.	330-277K	CHNGRD DBL REAR WING LH	Shown	
6.	330-450K	CHNGRD DBL REAR WING RH		
7.	802-214C	RHSNB 1/2-13X1 1/4 GR5		
8.	803-037C	NUT HEX WHIZ 1/2-13 PLT		
9.	890-341C	CHAIN WELD 5/16 PROOF X 5 LINK		
10.	890-400C	CHAIN WELD 5/16 PROOF X 4 LINK		

# Guards Chain Single Row Front

Applies to RCC5615, RCCM5615



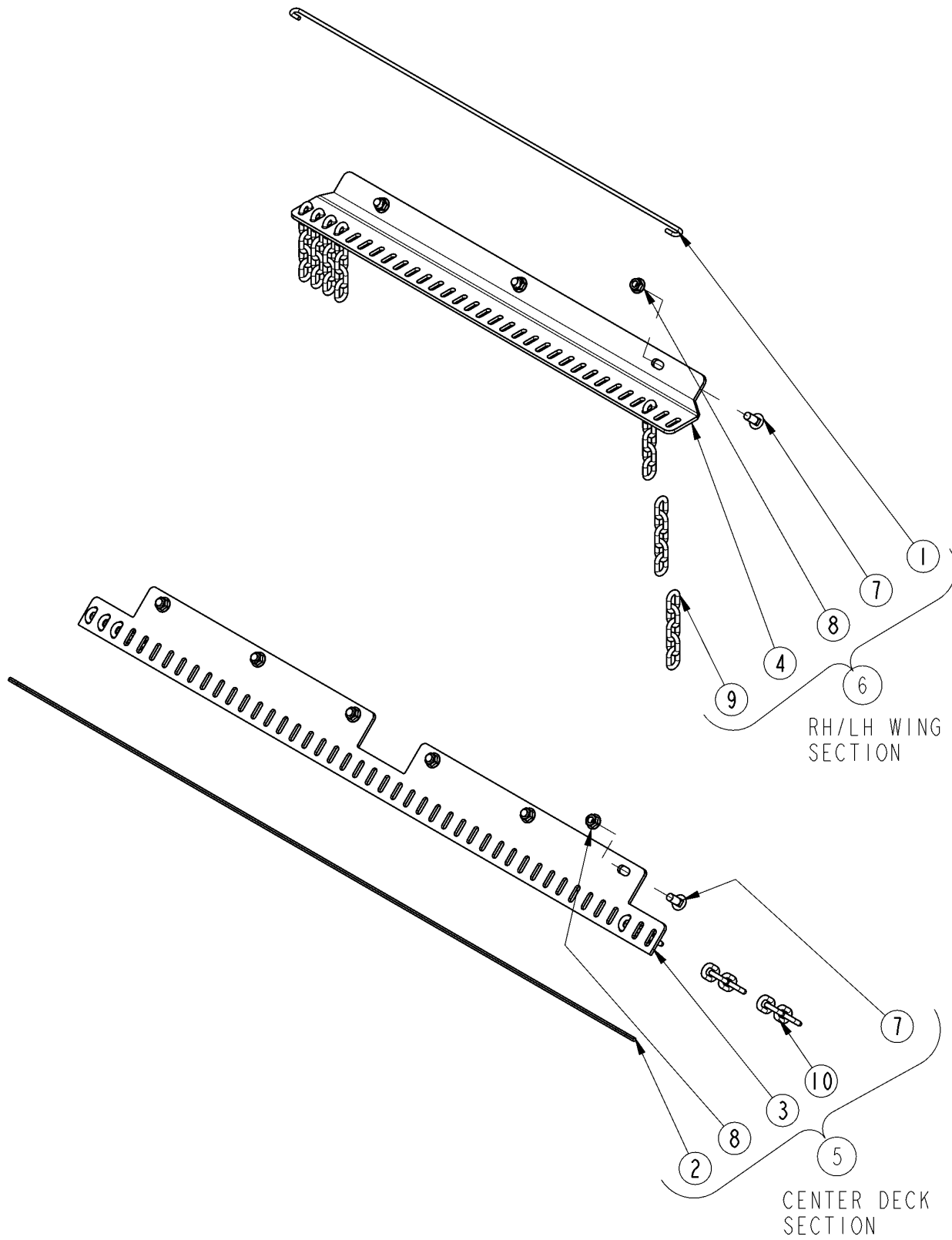
26543

**Guards Chain Single Row Front****Applies to RCC5615, RCCM5615**

<b>Ref</b>	<b>Part No.</b>	<b>Part Description</b>	<b>Comments</b>	<b>Revision</b>
	dwg26543 330-279A	Drawing Image Number CHAINGUARD SINGLE FRONT *		
1.	318-107D	ROUND ROD 1/4 X 31 1/2		
2.	318-337D	ROUND ROD 1/4 X 25		
3.	318-606D	CHAINGUARD, SGL FR WING		
4.	318-617D	ROUND ROD .25 X 68.50		
5.	318-620K	CHAINGUARD, SGL FRT WING		
6.	318-931D	CHAINGUARD SGL FRT CTR INNER		
7.	318-965D	CHNGRD, SGL FRT CTR OUTER		
8.	330-237K	CHNGRD SGL FRT CTR INNER		
9.	330-273K	CHNGRD SGL FRT CTR OUTER		
10.	802-214C	RHSNB 1/2-13X1 1/4 GR5		
11.	803-037C	NUT HEX WHIZ 1/2-13 PLT		
12.	890-175C	CHAIN 5/16 PROOF X 6 LINKS PLT		
13.	890-341C	CHAIN WELD 5/16 PROOF X 5 LINK		

# Guards Chain Single Row Rear

Applies to RCC5615, RCCM5615



26544

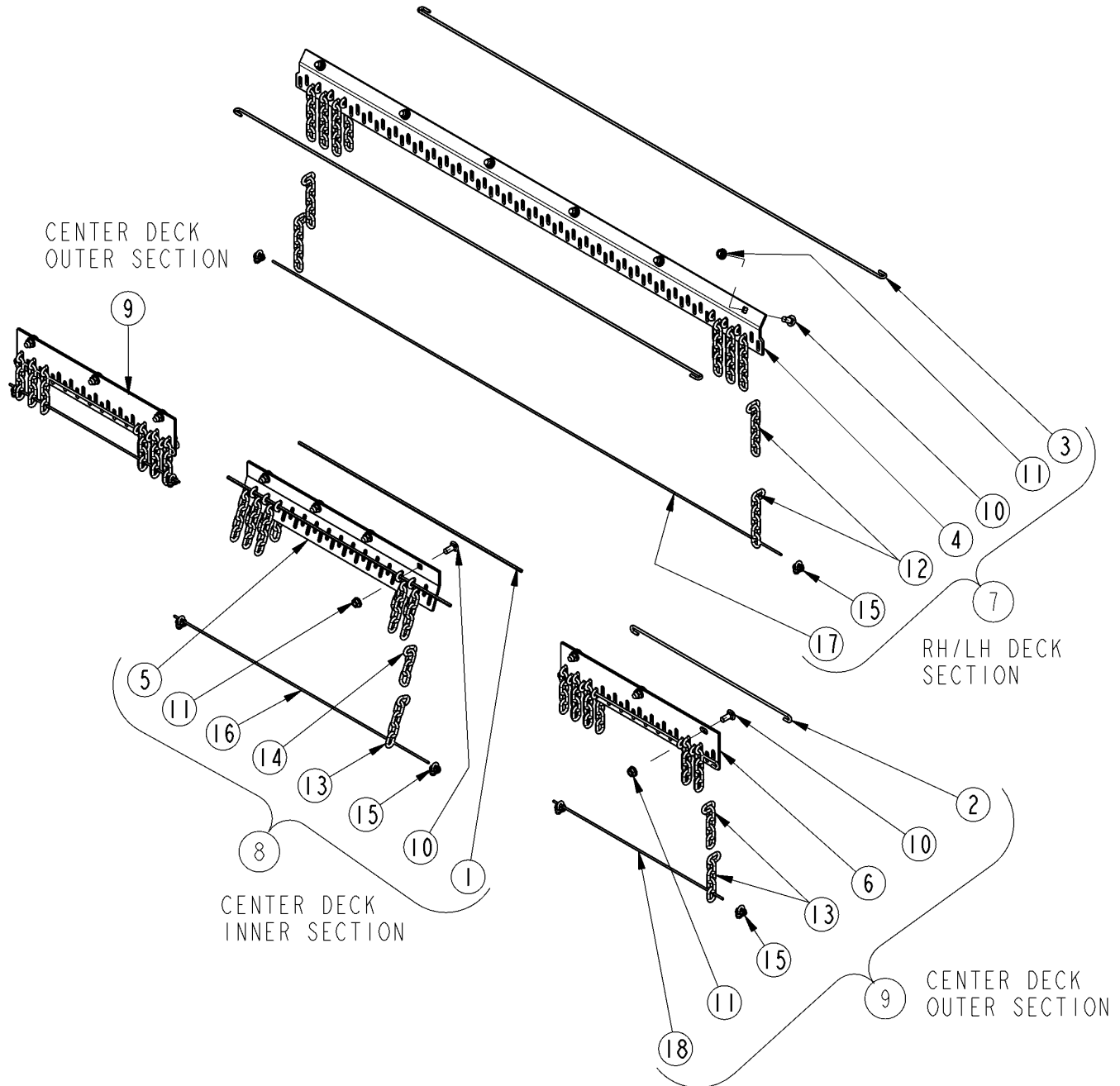


**Guards Chain Single Row Rear****Applies to RCC5615, RCCM5615**

Ref	Part No.	Part Description	Comments	Revision
	dwg26544 330-282A	Drawing Image Number CHAINGUARD SINGLE REAR *		
1.	312-889D	ROUND ROD 1/4 X 39		
2.	318-478D	ROUND ROD .25 X 59		
3.	318-929D	CHAINGUARD SGL REAR CTR		
4.	318-967D	CHNGRD SGL REAR WING LH	Shown	
4.	330-050D	CHNGRD SGL REAR WING RH		
5.	330-234K	CHNGRD SGL REAR CTR		
6.	330-276K	CHNGRD SGL REAR WING LH	Shown	
6.	330-449K	CHNGRD SGL REAR WING RH		
7.	802-214C	RHSNB 1/2-13X1 1/4 GR5		
8.	803-037C	NUT HEX WHIZ 1/2-13 PLT		
9.	890-341C	CHAIN WELD 5/16 PROOF X 5 LINK		
10.	890-400C	CHAIN WELD 5/16 PROOF X 4 LINK		

# Guards Chain W/ Cable Front

Applies to RCC5615, RCCM5615



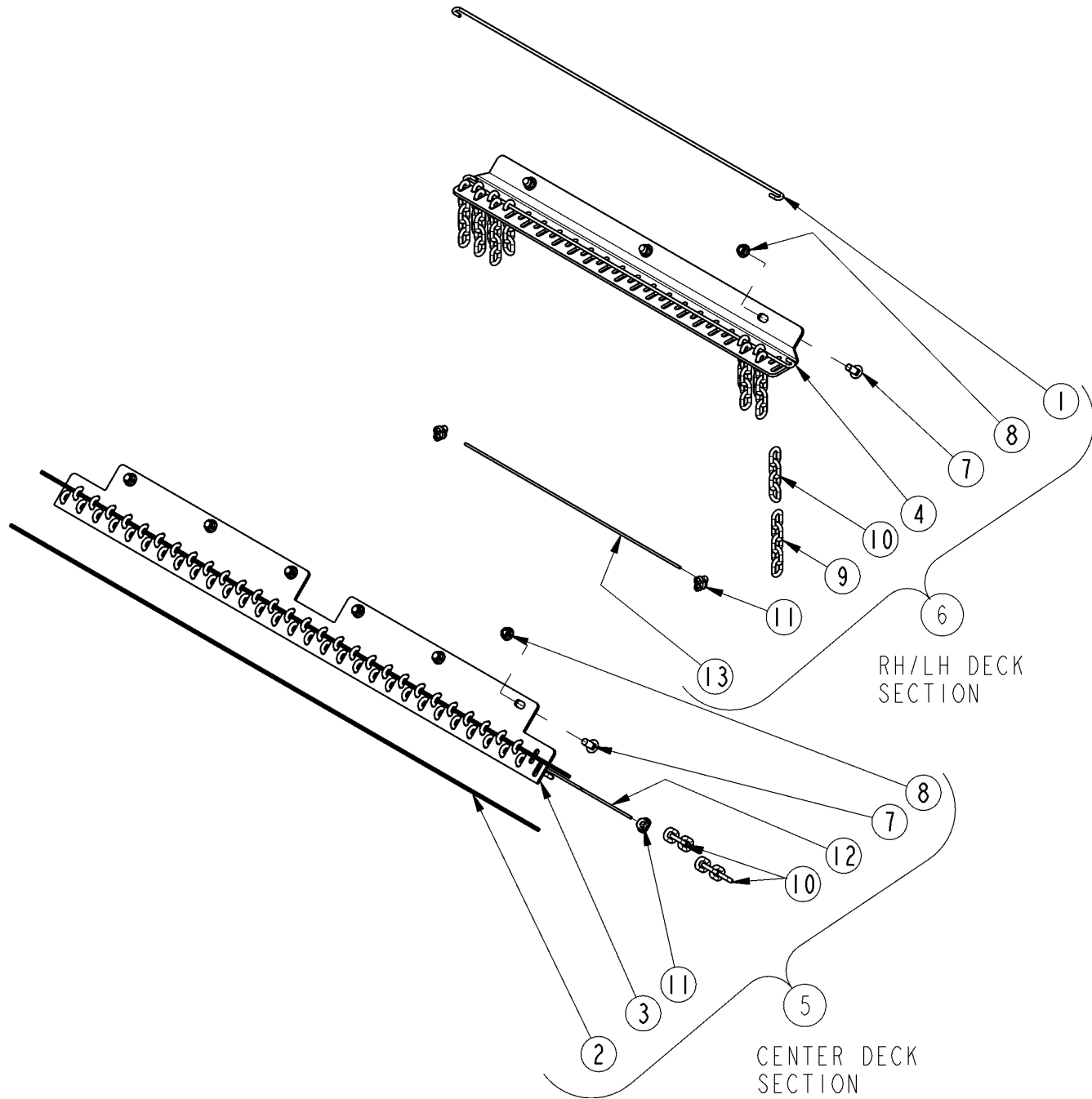
26548

**Guards Chain W/ Cable Front****Applies to RCC5615, RCCM5615**

Ref	Part No.	Part Description	Comments	Revision
	dwg26548 330-281A	Drawing Image Number CHAINGUARD CABLE FRONT *		
1.	318-107D	ROUND ROD 1/4 X 31 1/2		
2.	318-337D	ROUND ROD 1/4 X 25		
3.	318-617D	ROUND ROD .25 X 68.50		
4.	318-636D	CHAINGUARD, DBL FR WING		
5.	318-932D	CHAINGUARD DBL FRT CTR INNER		
6.	318-966D	CHNGRD, DBL FRT CTR OUTER		
7.	330-155K	CHAINGUARD, FRT CBL WING		
8.	330-239K	CHNGRD CBL FRT CTR INNER		
9.	330-275K	CHNGRD CBL FRT CTR OUTER		
10.	802-214C	RHSNB 1/2-13X1 1/4 GR5		
11.	803-037C	NUT HEX WHIZ 1/2-13 PLT		
12.	890-175C	CHAIN 5/16 PROOF X 6 LINKS PLT		
13.	890-341C	CHAIN WELD 5/16 PROOF X 5 LINK		
14.	890-400C	CHAIN WELD 5/16 PROOF X 4 LINK		
15.	890-672C	U-BOLT WIRE ROPE CLP 3/16 GAL.		
16.	990-208R	AIRCRAFT CBL.3/16 7X7 GALV.	5' Required	
17.	990-208R	AIRCRAFT CBL.3/16 7X7 GALV.	6' Required	
18.	990-208R	AIRCRAFT CBL.3/16 7X7 GALV.	2' Required	

# Guards Chain W/ Cable Rear

Applies to RCC5615, RCCM5615



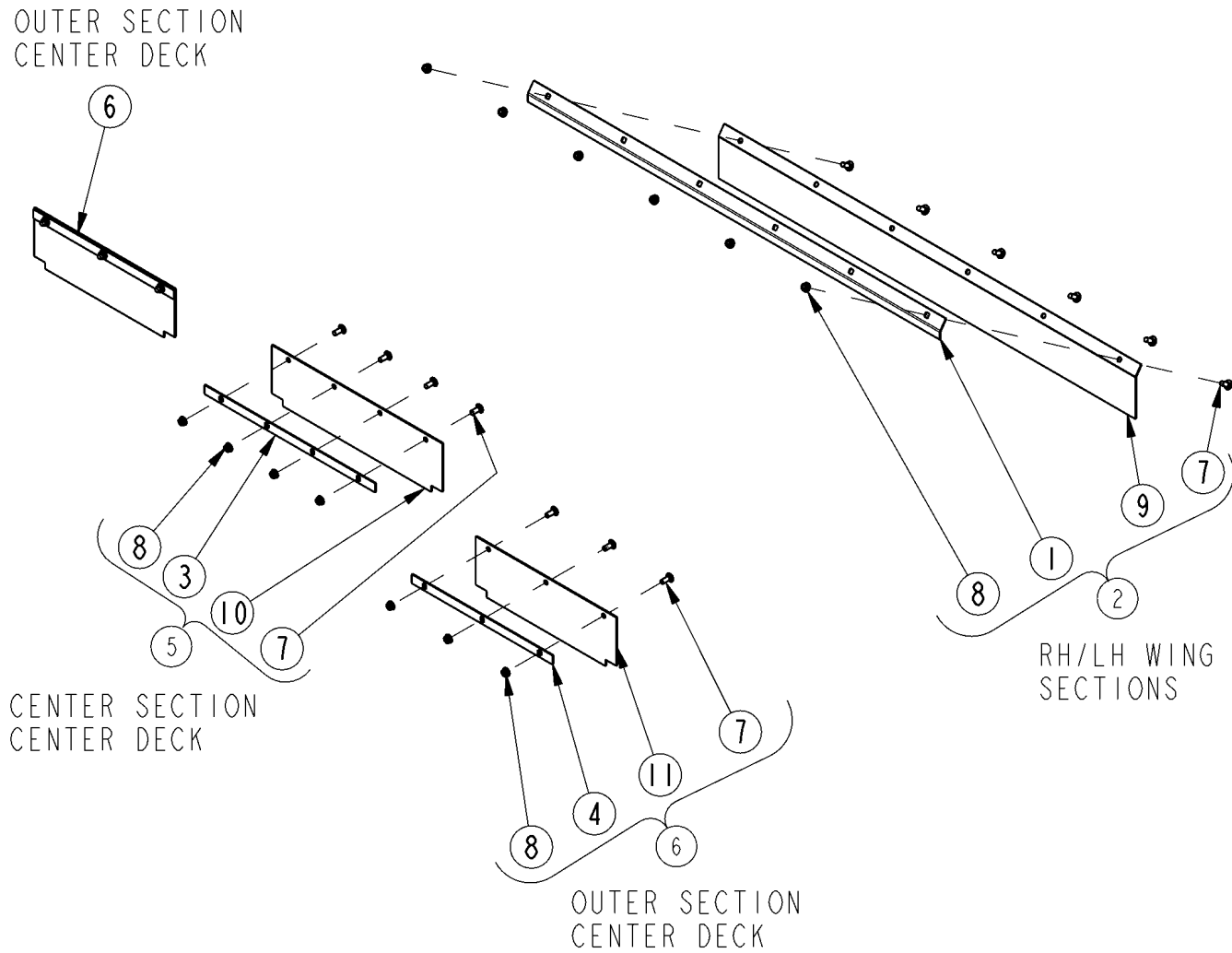
26549

**Guards Chain W/ Cable Rear****Applies to RCC5615, RCCM5615**

<b>Ref</b>	<b>Part No.</b>	<b>Part Description</b>	<b>Comments</b>	<b>Revision</b>
	dwg26549	Drawing Image Number		
	330-284A	CHAINGUARD CABLE REAR *		
1.	312-889D	ROUND ROD 1/4 X 39		
2.	318-478D	ROUND ROD .25 X 59		
3.	318-930D	CHAINGUARD DBL REAR CTR		
4.	318-968D	CHNGRD DBL REAR WING LH	Shown	
4.	330-051D	CHNGRD DBL REAR WING RH		
5.	330-236K	CHNGRD CBL REAR CTR		
6.	330-278K	CHNGRD CBL REAR WING LH	Shown	
6.	330-451K	CHNGRD CBL REAR WING RH		
7.	802-214C	RHSNB 1/2-13X1 1/4 GR5		
8.	803-037C	NUT HEX WHIZ 1/2-13 PLT		
9.	890-341C	CHAIN WELD 5/16 PROOF X 5 LINK		
10.	890-400C	CHAIN WELD 5/16 PROOF X 4 LINK		
11.	890-672C	U-BOLT WIRE ROPE CLP 3/16 GAL.		
12.	990-208R	AIRCRAFT CBL.3/16 7X7 GALV.	9' Required	
13.	990-208R	AIRCRAFT CBL.3/16 7X7 GALV.	6' Required	

# Guards Rubber Front

Applies to RCC5615, RCCM5615



26541

## ***Guards Rubber Front***

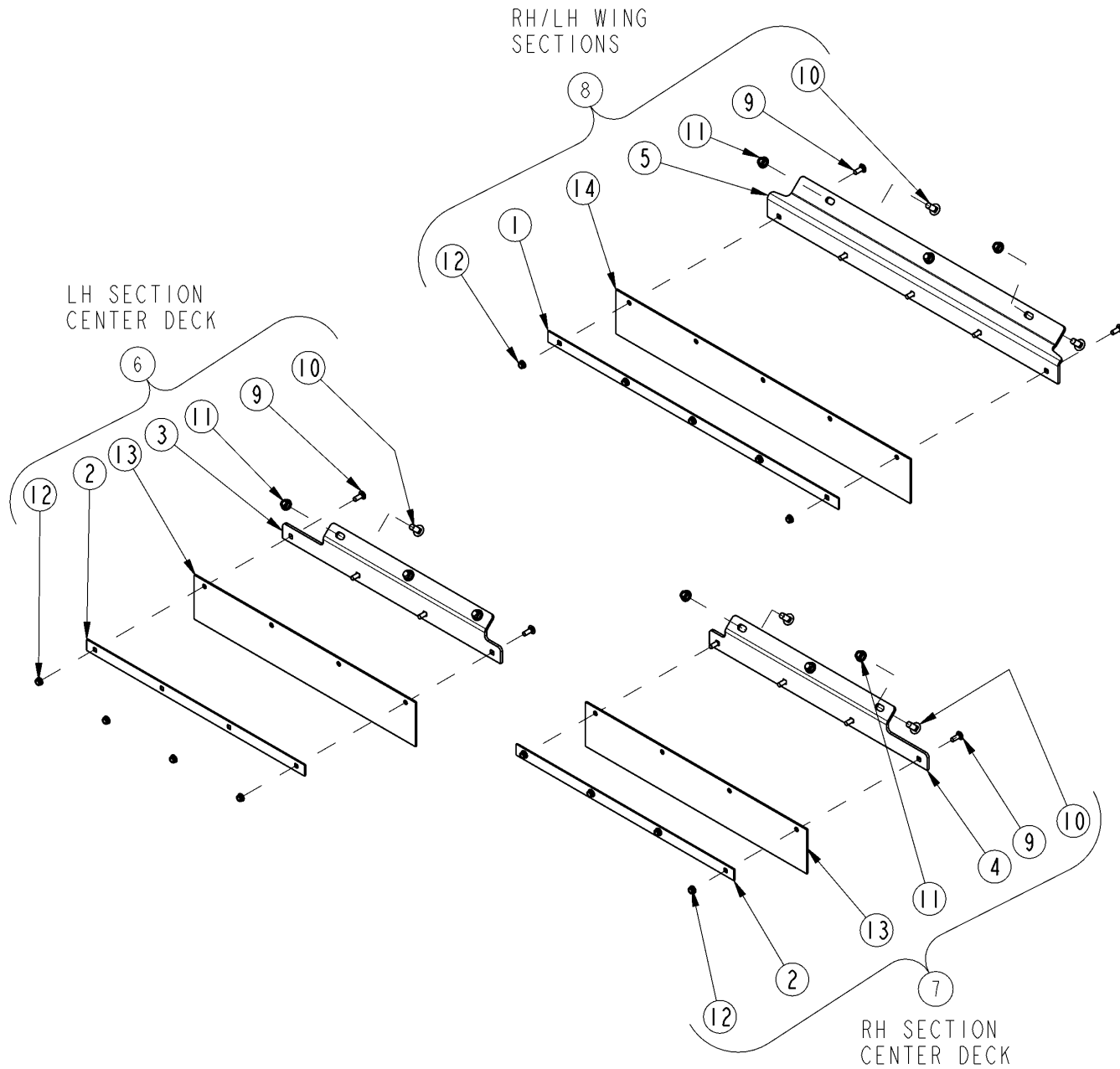
---

### **Applies to RCC5615, RCCM5615**

<b>Ref</b>	<b>Part No.</b>	<b>Part Description</b>	<b>Comments</b>	<b>Revision</b>
	dwg26541	Drawing Image Number		
	330-314A	RUBBERGUARD FRONT *		
1.	318-657D	FORMED SUPPORT BAND		
2.	318-728K	RUBBERGUARD, FRT WING		
3.	318-917D	FLAT SUPPORT BAND		
4.	318-918D	FLAT SUPPORT BAND		
5.	330-316K	RUBBERGUARD FRT CNTR INNER		
6.	330-317K	RUBBERGUARD FRT CNTR OUTER		
7.	802-214C	RHSNB 1/2-13X1 1/4 GR5		
8.	803-037C	NUT HEX WHIZ 1/2-13 PLT		
9.	816-456C	FRONT WING RUBBER GUARD		
10.	816-606C	RUBBER GUARD FRT CNTR		
11.	816-607C	RUBBER GUARD FRT CNTR OUT		

# Guards Rubber Rear

Applies to RCC5615, RCCM5615



26542

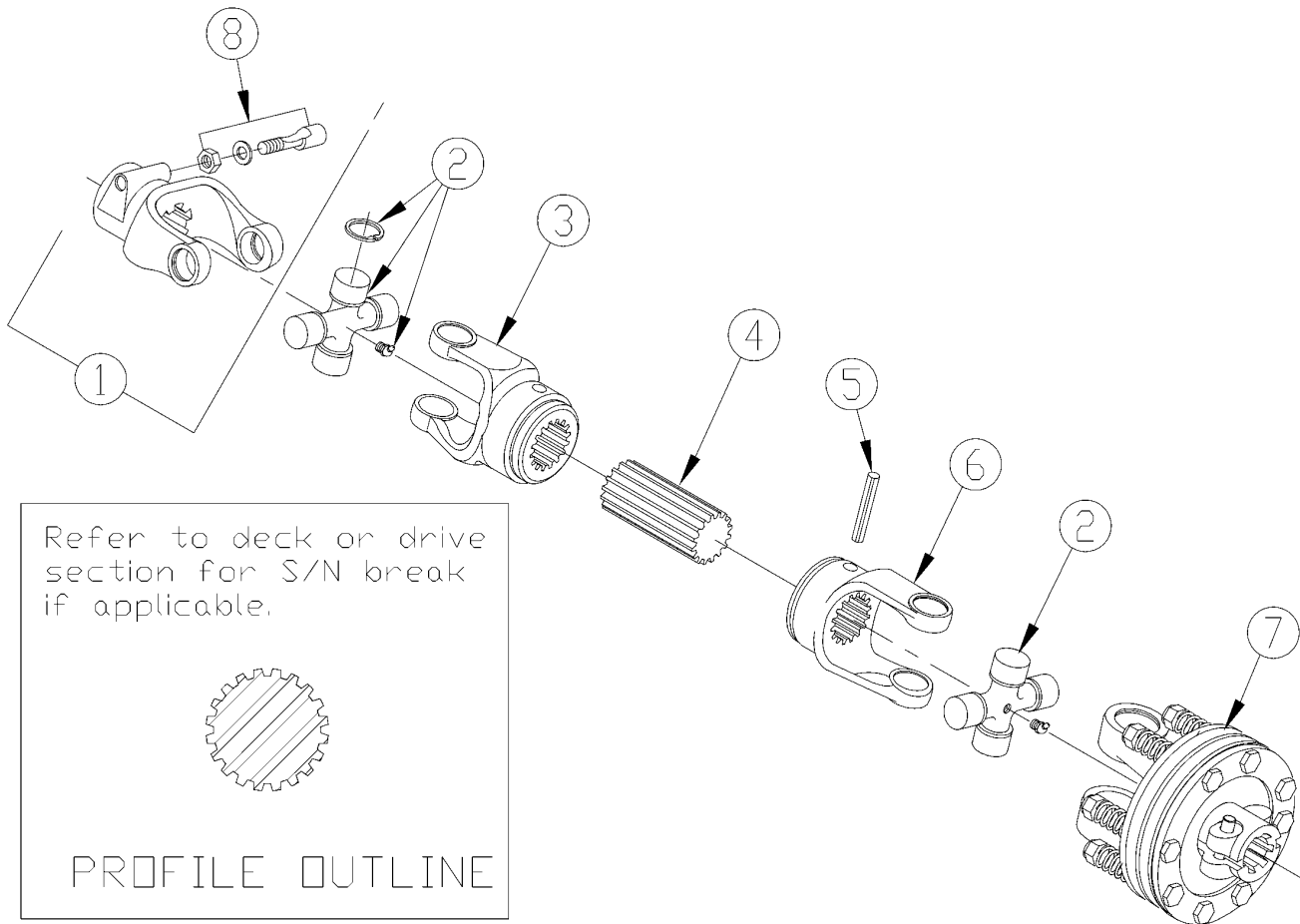


**Guards Rubber Rear****Applies to RCC5615, RCCM5615**

<b>Ref</b>	<b>Part No.</b>	<b>Part Description</b>	<b>Comments</b>	<b>Revision</b>
	dwg26542	Drawing Image Number		
	330-315A	RUBBERGUARD REAR *		
1.	318-000D	FLAT SUPPORT BAND		
2.	318-129D	RUBBER GUARD FLAT BRKT. 28 1/2		
3.	318-924D	MOUNT RBBRGRD CNTR LH		
4.	318-925D	MOUNT RBBRGRD CNTR RH		
5.	318-952D	MOUNT RBBRGRD WING REAR		
6.	330-318K	RUBBERGUARD REAR CNTR LH		
7.	330-319K	RUBBERGUARD REAR CNTR RH		
8.	330-320K	RUBBERGUARD REAR WING		
9.	802-015C	RHSNB 3/8-16X1 GR5		
10.	802-214C	RHSNB 1/2-13X1 1/4 GR5		
11.	803-037C	NUT HEX WHIZ 1/2-13 PLT		
12.	803-198C	NUT HEX WHIZ 3/8-16 PLT		
13.	816-246C	RUBBER GUARD REAR		
14.	816-608C	RUBBERGUARD REAR WING		

# Driveline Center (826-478C) Comer

Applies to RCCM5615



**Driveline Center (826-478C) Comer**

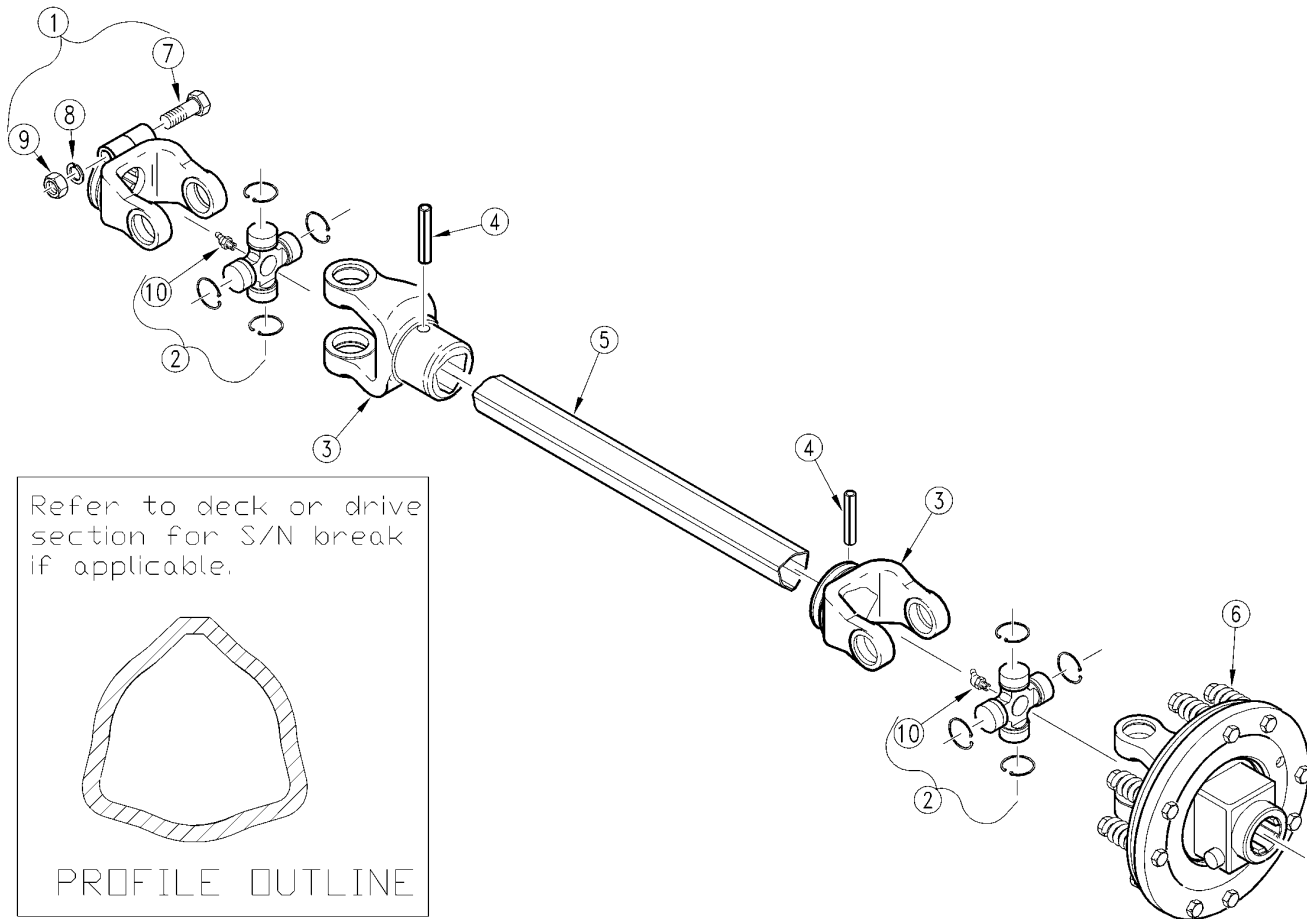
---

**Applies to RCCM5615**

<b>Ref</b>	<b>Part No.</b>	<b>Part Description</b>	<b>Comments</b>	<b>Revision</b>
	dwg23952	Drawing Image Number		
	826-478C	PTO E60 X 21.7 1280NM CLUTCH *	Cat. 5	
1.	141.026.357.1	COMER YOKE COMPLETE		
2.	180.016.130	COMER CROSS ASSEMBLY		
3.	170.016.630.1	COMER YOKE, OUTER		
4.	155.150.724	COMER SHAFT, SPLINED		
5.	190.000.016	COMER ROLL PIN, INNER TUBE		
6.	151.016.031.1	COMER INNER YOKE		
7.	146.264.024.1	COMER CLUTCH, COMPLETE ASSY		
8.	165.000.589	COMER TAPERED PIN SET 1 3/4		

# Driveline Center 1000 RPM (826-184C) Eurocardan

Applies to RCCM5615



**Driveline Center 1000 RPM (826-184C) Eurocardan**

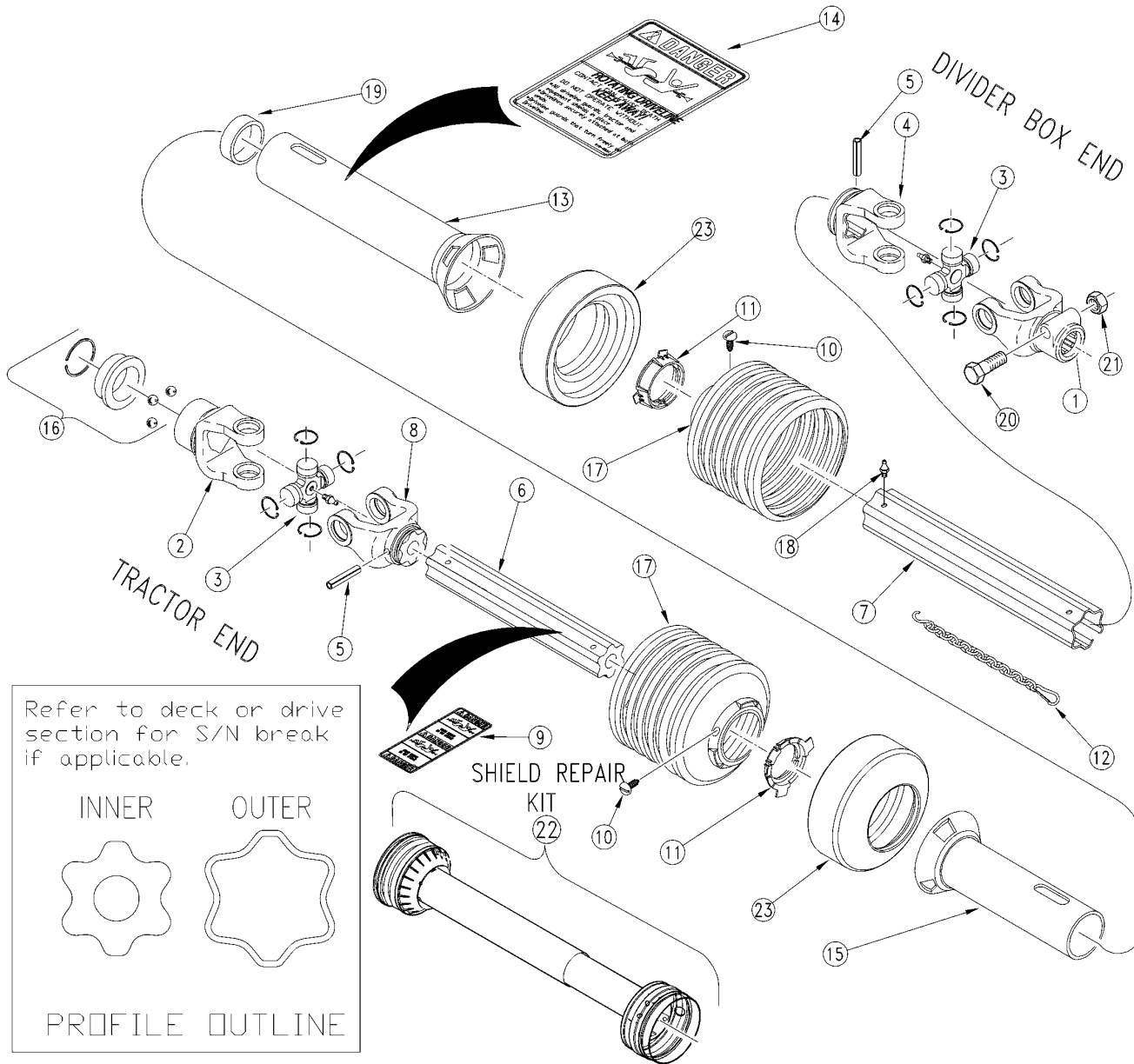
---

**Applies to RCCM5615**

<b>Ref</b>	<b>Part No.</b>	<b>Part Description</b>	<b>Comments</b>	<b>Revision</b>
	dwg15497	Drawing Image Number		
	826-184C	PTO INT. CAT.4 1000W/CLUTCH *		
	6761280	EC BOLT ASSY KIT	Includes items 7, 8 & 9	
1.	1106525	EC YOKE ASSEMBLY (TRACT. END)		
2.	1006020	EC CROSS ASSEMBLY		
3.	1706027	EC OUTER TUBE YOKE		
4.	6331080	EC 10X80-DIN-1481 O/TUBE R/PIN		
5.	1528305	EC TUBE JACK SHAFT		
6.	1406016	EC CLUTCH FD2/6 1 3/4 20 SPL		
7.	6141280	EC.BOLT		
8.	6412112	EC SPRING WASHER		
9.	6410112	EC NUT		
10.	6560508	EC GREASE ZERK 8X1 45 DEG.		

# Driveline Conv. 1000 RPM (826-247C) Walterscheid

Applies to RCCM5615



**Driveline Conv. 1000 RPM (826-247C) Walterscheid**

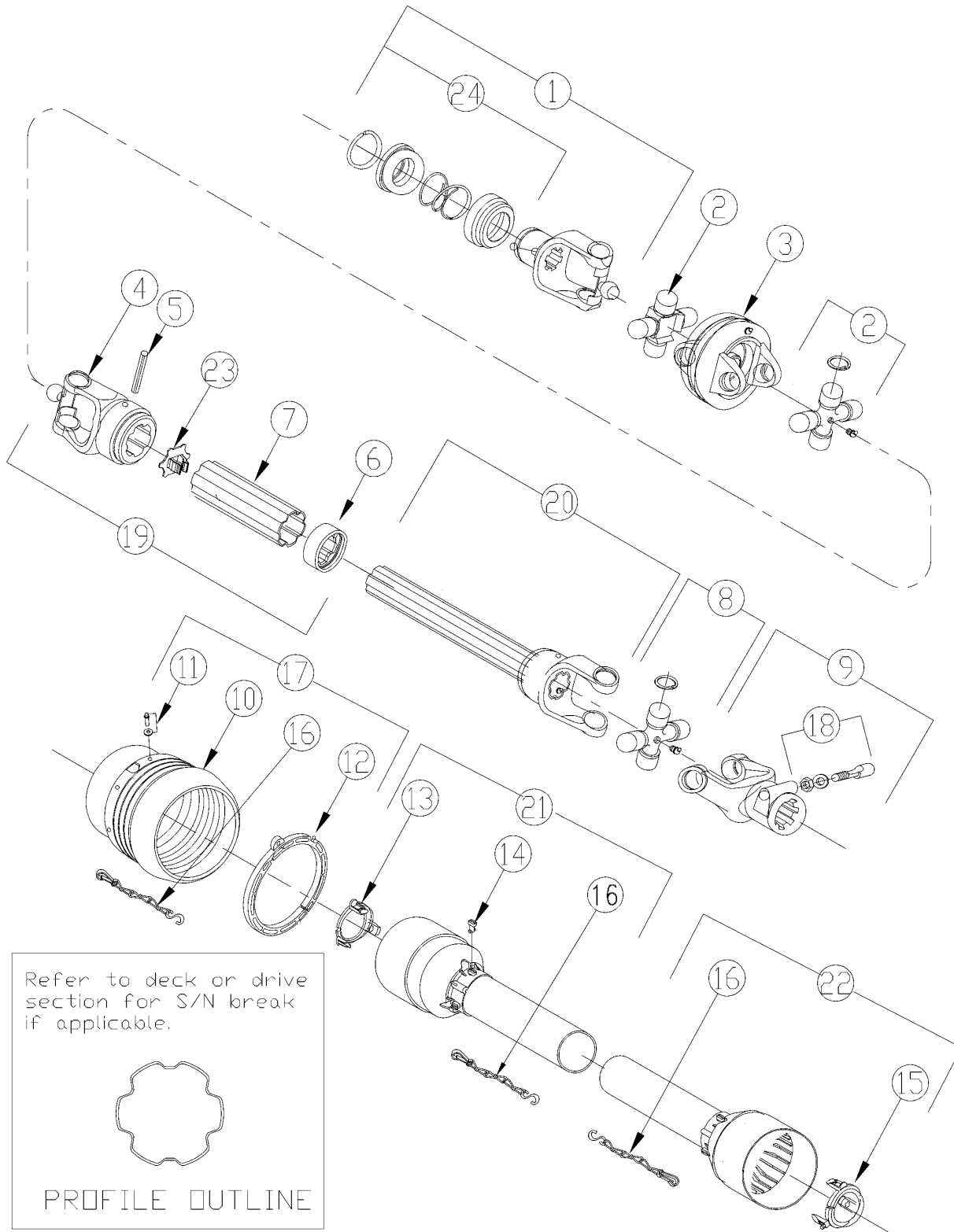
---

**Applies to RCCM5615**

<b>Ref</b>	<b>Part No.</b>	<b>Part Description</b>	<b>Comments</b>	<b>Revision</b>
	dwg18549	Drawing Image Number		
	826-247C	PTO 2500 CAT.5 1000 1 3/8-21 *		
1.	325027	WS YOKE 1 3/4-20 SPL.I.C. 2500		
2.	362430	WS YOKE 1 3/8-21 SPL. AS		
3.	312209	WS CROSS & BEARING KIT 2500		
4.	097140	WS INBOARD YOKE 2500		
5.	304046	WS SPRING PIN 10 X 90		
6.	333645	WS INNER PROFILE S4		
7.	387768	WS PROFILE & SLEEVE W.A.		
8.	097133	WS INBOARD YOKE 2400		
9.	818-540C	DECAL DANGER GUARD MISS PTO		
10.	365305	WALTERSCHEID SCREW		
11.	087276	WS BEARING RING - SC25		
12.	044321	WALTERSCHEID SAFETY CHAIN		
13.	391409	WS OUTER SHIELD TUBE OVAL		
14.	818-552C	DECAL DANGER PTO DRIVELINE		
15.	391410	WS INNER SHIELD TUBE RND.		
16.	364915	WS ASSY COLLAR KIT		
17.	377437	WS SHIELD CONE 7 RIB		
18.	380371	WS ZERK		
19.	355155	WS SUPPORT BEARING		
20.	702352	WS HEX BOLT M16 X 90 GR 8.8		
21.	304011	WS LOCK NUT M16		
22.	826-603C	SHIELD KIT, 826-247C		
23.	359474	WS REINFORCING COLLAR		

# Driveline CV 1000 RPM (826-477C) 1 3/8-21 Comer

Applies to RCCM5615



23948

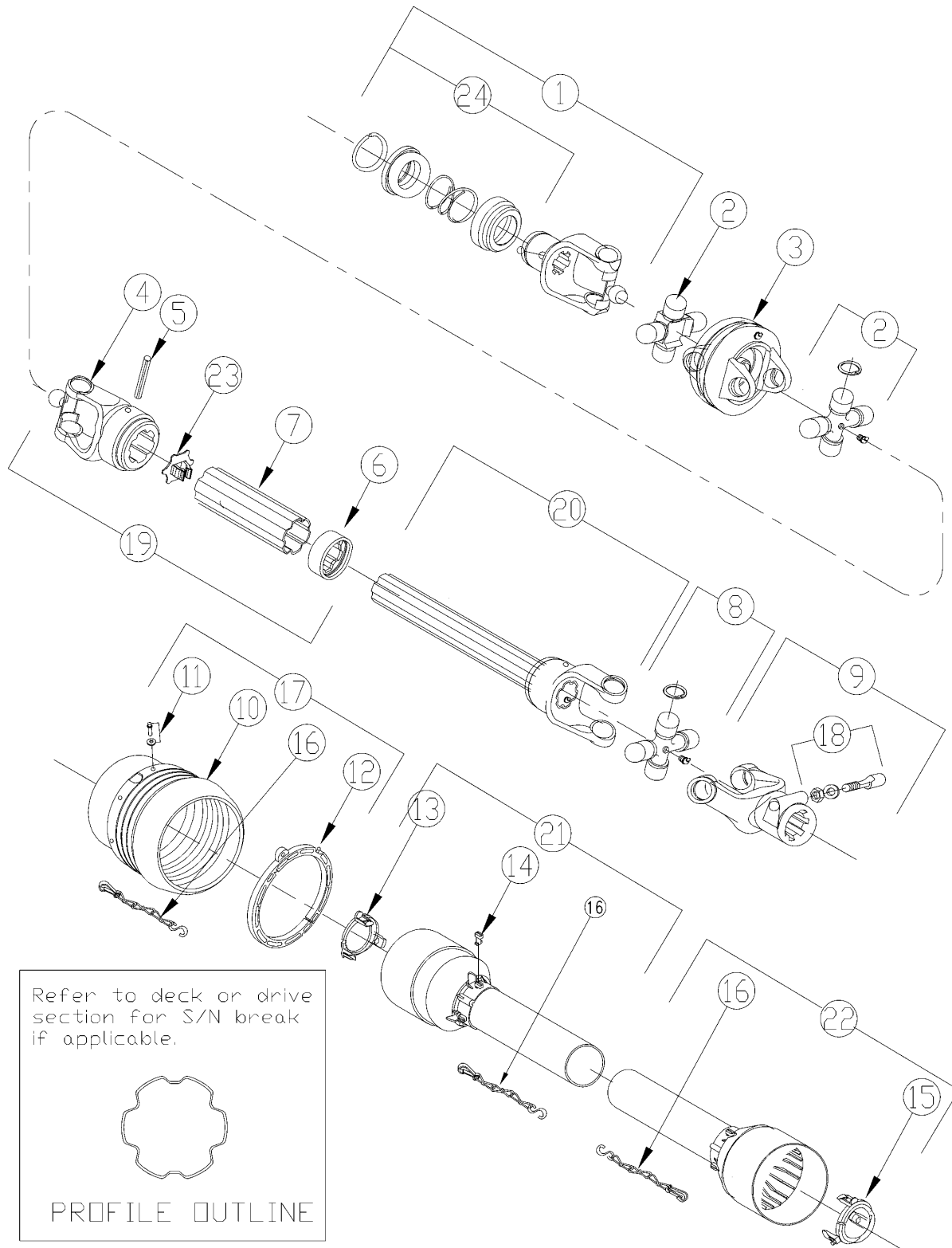


**Driveline CV 1000 RPM (826-477C) 1 3/8-21 Comer****Applies to RCCM5615**

<b>Ref</b>	<b>Part No.</b>	<b>Part Description</b>	<b>Comments</b>	<b>Revision</b>
	dwg23948	Drawing Image Number		
	826-477C	PTO CV V80 X 56.8 NO CLUTCH *		
1.	141.028.359.1	COMER CV-JOINT YOKE COLLER		
2.	180.018.158	COMER CV-JOINT CROSS ASSEMBLY		
3.	141.028.472.1	COMER WIDE ANGLE DOUBLE YOKE		
4.	141.028.248.1	COMER OUTER YOKE		
5.	190.000.243	COMER OUTER TUBE ROLL PIN		
6.	180.018.437	COMER WIPER		
7.	1522805260710	COMER OUTER TUBE COMPLETE		
8.	180.018.004	COMER CROSS ASSEMBLY		
9.	141.028.195.1	COMER YOKE COMPLETE		
10.	180.018.567	COMER CV JOINT GUARD CONE		
11.	165.000.694	COMER SCREW KIT FOR CV GUARD		
12.	158.018.470	COMER BEARING RING		
13.	180.018.251	COMER RETAINING COLLER INNER		
14.	180.014.240	COMER BOLT		
15.	180.018.252	COMER RETAINING COLLER INNER		
16.	180.016.025	COMER SAFTEY CHAINS		
17.	165.000.785	COMER CONE GUARD ASSEMBLY		
18.	165.000.589	COMER TAPERED PIN SET 1 3/4		
19.	122.981.002.1	COMER TUBE W/YOKE/LUBE/FEMALE		
20.	122.580.501.1	COMER TUBE W/YOKE/LUBE/MALE		
21.	1422831442821	COMER HALF FEMALE GRD W/LABEL		
22.	1422871642821	COMER HALF MALE GUARDING		
23.	180.018.393	COMER CAP OUTER TUBE, PLASTIC		
24.	165.000.628	COMER COLLER KIT 3/8 YOKE		

# Driveline CV 1000 RPM (826-499C) 1 3/4-20 Comer

Applies to RCCM5615



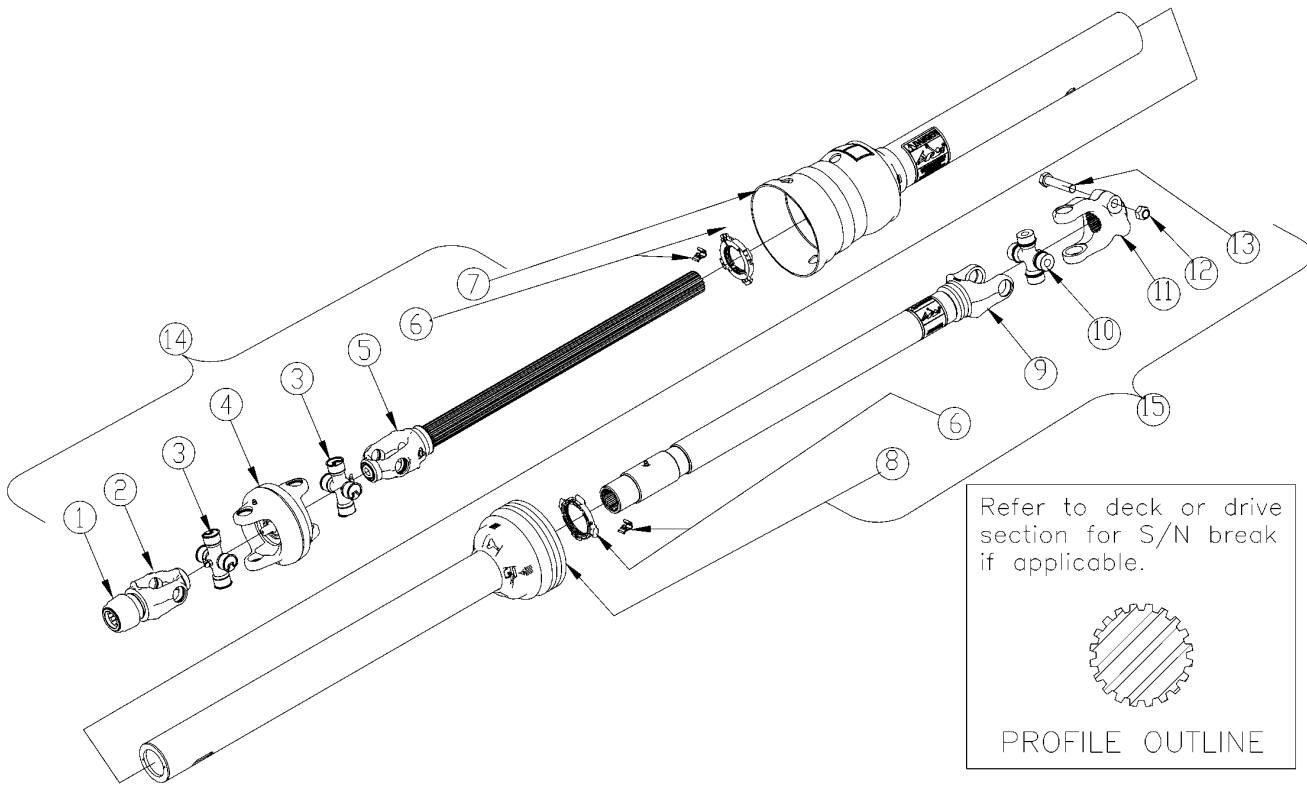
23960

**Driveline CV 1000 RPM (826-499C) 1 3/4-20 Comer****Applies to RCCM5615**

<b>Ref</b>	<b>Part No.</b>	<b>Part Description</b>	<b>Comments</b>	<b>Revision</b>
	dwg23960	Drawing Image Number		
	826-499C	PTO CV80 X 77.71 NO CLUTCH *		
1.	141.028.360.1	COMER COLLER YOKE ASSEMBLY		
2.	180.018.158	COMER CV -JOINT CROSS ASSEMBLY		
3.	141.028.472.1	COMER WIDE ANGLE DOUBLE YOKE		
4.	141.028.248.1	COMER OUTER YOKE		
5.	190.000.243	COMER OUTER TUBE ROLL PIN		
6.	180.018.437	COMER WIPER		
7.	1522805260710	COMER OUTER TUBE COMPLETE		
8.	180.018.004	COMER CROSS ASSEMBLY		
9.	141.028.195.1	COMER YOKE COMPLETE		
10.	180.018.567	COMER CV JOINT GUARD CONE		
11.	165.000.694	COMER SCREW KIT FOR CV GUARD		
12.	158.018.470	COMER BEARING RING		
13.	180.018.251	COMER RETAINING COLLER INNER		
14.	180.014.240	COMER BOLT		
15.	180.018.252	COMER RETAINING COLLER INNER		
16.	180.016.025	COMER SAFTEY CHAINS		
17.	165.000.785	COMER CONE GUARD ASSEMBLY		
18.	165.000.589	COMER TAPERED PIN SET 1 3/4		
19.	122.981.002.1	COMER TUBE W/YOKE/LUBE/FEMALE		
20.	122.580.501.1	COMER TUBE W/YOKE/LUBE/MALE		
21.	1422831442821	COMER HALF FEMALE GRD W/LABEL		
22.	1422871642821	COMER HALF MALE GUARDING		
23.	180.018.393	COMER CAP OUTER TUBE, PLASTIC		
24.	165.000.629	COMER YOKE KIT COLLAR		

**Driveline CV 1000 RPM (826-644C) (S/N \_\_\_\_\_ +)**

**Applies to RCCM5615**



**Driveline CV 1000 RPM (826-644C) (S/N \_\_\_\_\_ +)**

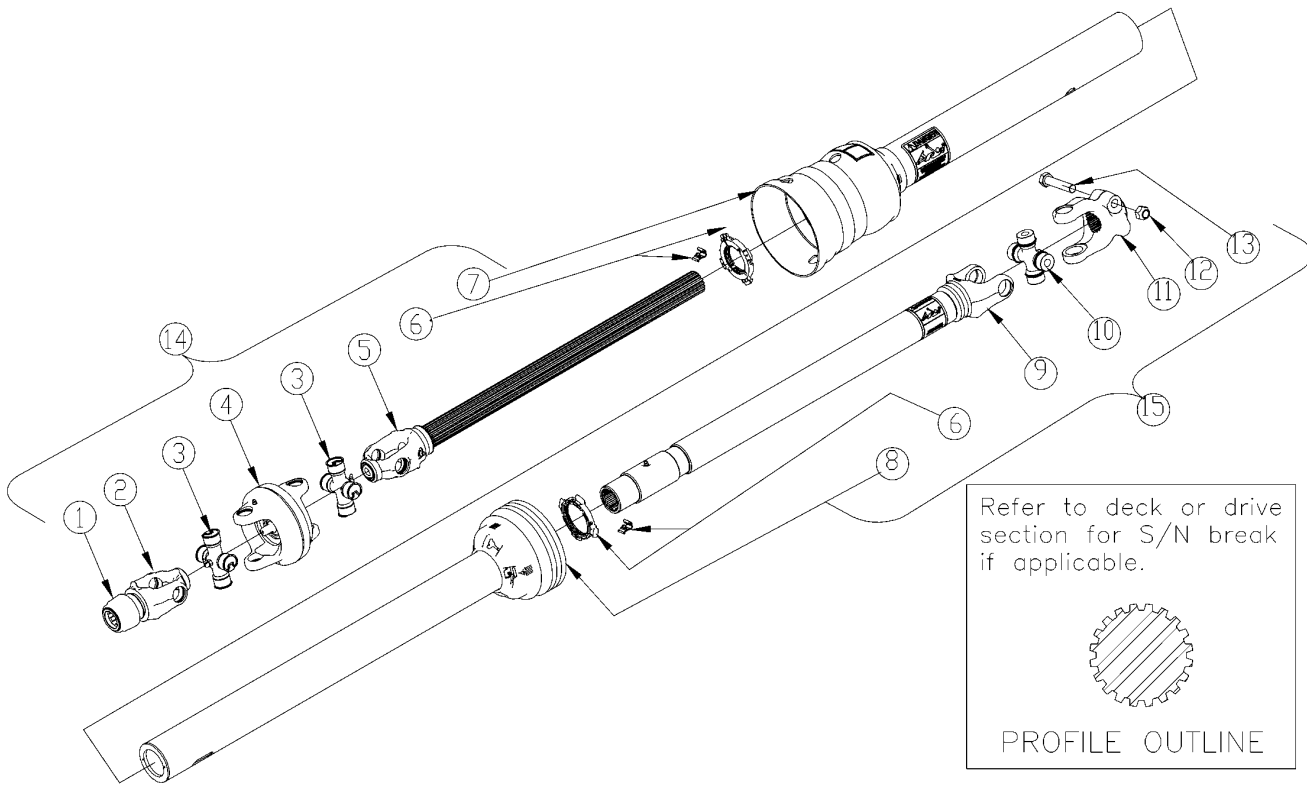
---

**Applies to RCCM5615**

<b>Ref</b>	<b>Part No.</b>	<b>Part Description</b>	<b>Comments</b>	<b>Revision</b>
	dwg30187	Drawing Image Number		
	826-644C	PTO CV 1000 1-3/8 NO CLUTCH *		
1.	26-15120	WE SSL/AUTO-LOK REPAIR KIT		
2.	68810-1003	WE WWCV AUTO-LOK YOKE ASM		
3.	03-15570	WE AB8/AW25EBL CROSS KIT		
4.	26-16033	WE WWCV CENTER HOUSING		
5.	99-24406	WE YOKE&SHAFT (1.69-20 SPLINE)		
6.	19-15121	WE GRD REPAIR KIT		
7.	97-25023	WE OUTER GUARD		
8.	96-24406	WE INNER GUARD		
9.	98-24406	WE YOKE, TUBE & SLIP SLEEVE		
10.	03-15316	WE 55EBL CROSS KIT		
11.	55051-1817	WE YOKE		
12.	11-14988	WE LOCK NUT .625-11		
13.	11-15180	WE BOLT .625-11 X 3.00L GR8		
14.	93-25023	WE JOINT&SHFT HALF ASM W/GUARD		
15.	92-24406	WE JOINT&TUBE HALF ASM W/GUARD		

**Driveline CV 1000 RPM (826-645C) (S/N \_\_\_\_\_ +)**

**Applies to RCCM5615**

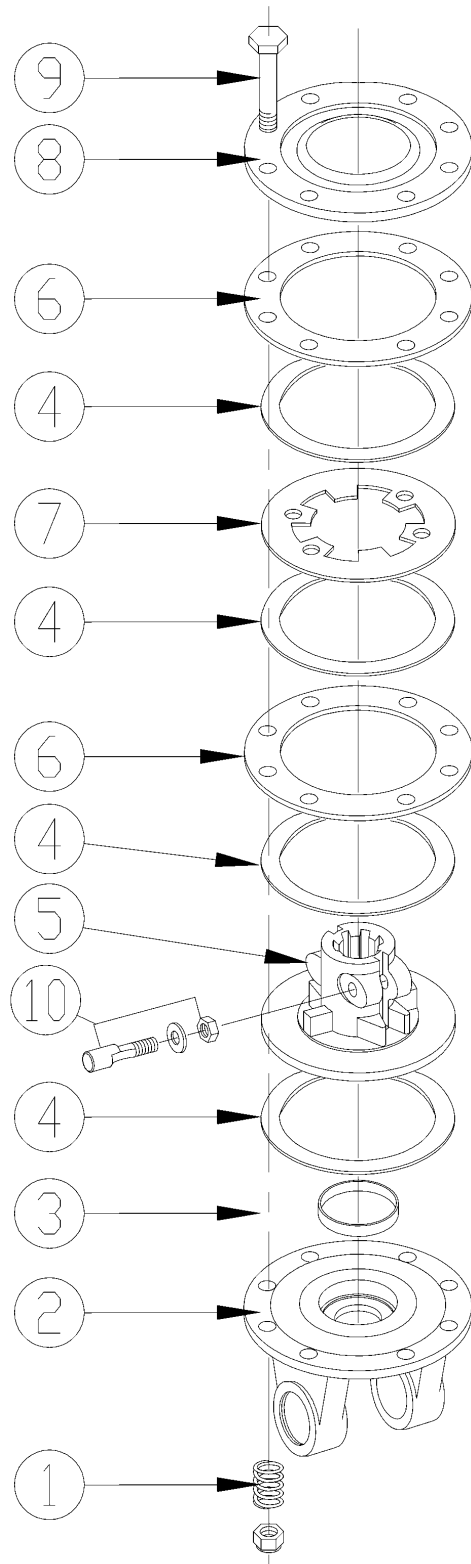


**Driveline CV 1000 RPM (826-645C) (S/N \_\_\_\_\_ +)****Applies to RCCM5615**

<b>Ref</b>	<b>Part No.</b>	<b>Part Description</b>	<b>Comments</b>	<b>Revision</b>
	dwg30189	Drawing Image Number		
	826-645C	PTO CV 1000 1-3/4 NO CLUTCH *		
1.	26-13387	WE SSL/AUTO-LOK REPAIR KIT		
2.	68810-1005	WE WWCV AUTO-LOK YOKE ASM		
3.	03-15570	WE AB8/AW25EBL CROSS KIT		
4.	26-16033	WE WWCV CENTER HOUSING		
5.	99-24406	WE YOKE&SHAFT (1.69-20 SPLINE)		
6.	19-15121	WE GRD REPAIR KIT		
7.	97-25075	WE OUTER GUARD		
8.	96-25075	WE INNER GUARD		
9.	98-25075	WE YOKE, TUBE & SLIP SLEEVE		
10.	03-15316	WE 55EBL CROSS KIT		
11.	55051-1817	WE YOKE		
12.	11-14988	WE LOCK NUT .625-11		
13.	11-15180	WE BOLT .625-11 X 3.00L GR8		
14.	93-25075	WE JOINT&SHFT HALF ASM W/GUARD		
15.	92-25075	WE JOINT&TUBE HALF ASM W/GUARD		

# Driveline Slip Clutch (146.264.024.1) Comer

Applies to RCCM5615



23957



**Driveline Slip Clutch (146.264.024.1) Comer**

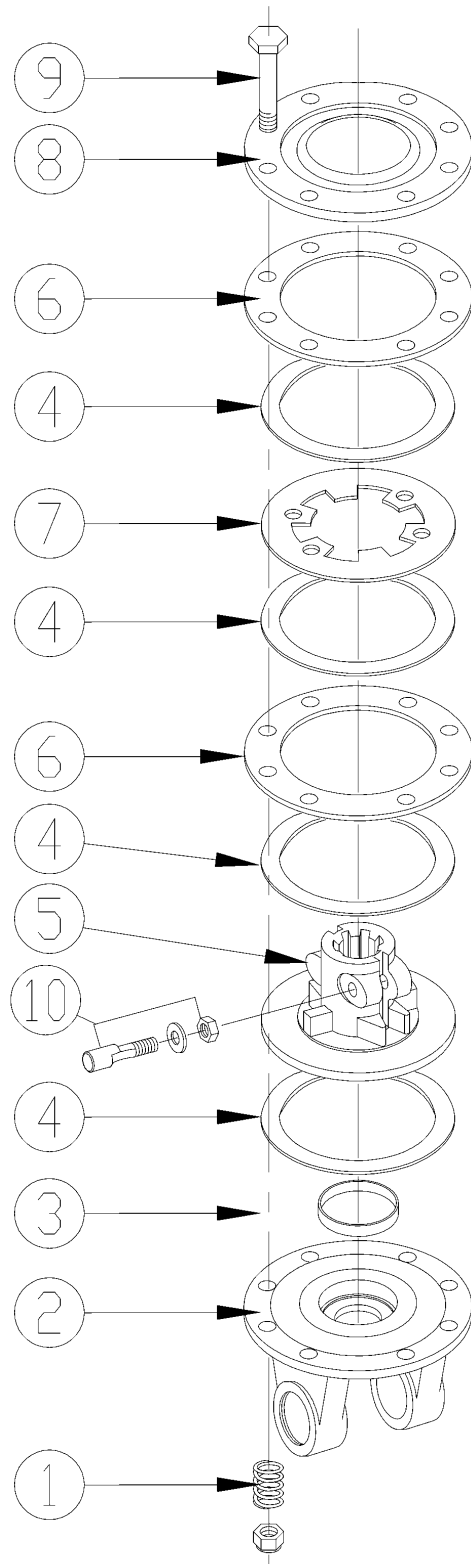
---

**Applies to RCCM5615**

<b>Ref</b>	<b>Part No.</b>	<b>Part Description</b>	<b>Comments</b>	<b>Revision</b>
	dwg23957	Drawing Image Number		
	146.264.024.1	COMER CLUTCH, COMPLETE ASSY *		
1.	180.014.022	COMER SPRING		
2.	151.016.037.1	COMER YOKE, FLANGED		
3.	180.019.019	COMER BUSH		
4.	180.019.018	COMER LINING RING		
5.	151.018.228.1	COMER CLUTCH SUPPORT		
6.	180.019.014	COMER INNER PLATE		
7.	180.019.115	COMER INTERMEDIATE PLATE		
8.	180.019.116.1	COMER PRESSURE PLATE		
9.	165.000.548	COMER BOLT WITH NUT M10X100		
10.	165.000.589	COMER TAPERED PIN SET 1 3/4		

# Driveline Slip Clutch (146.284.020.1) Comer

Applies to RCCM5615



23958

**Driveline Slip Clutch (146.284.020.1) Comer**

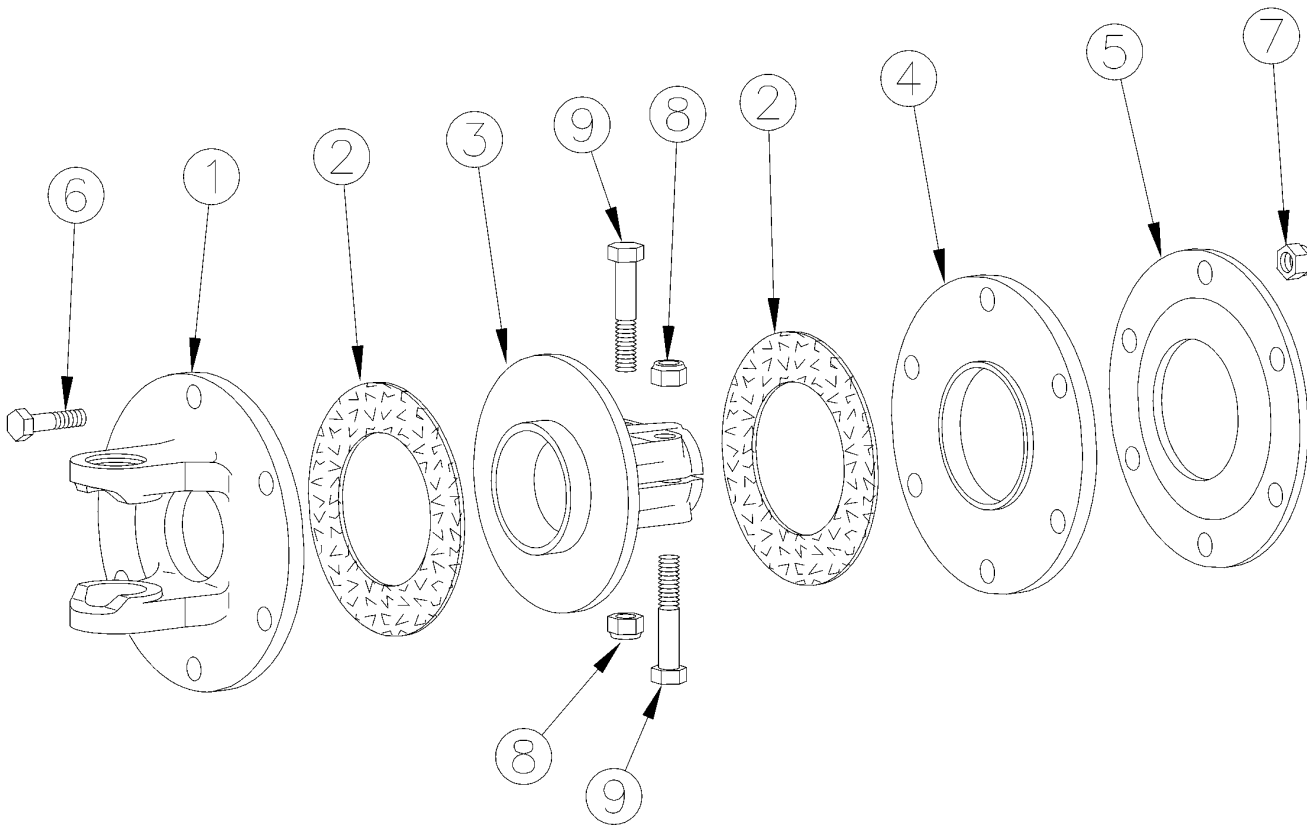
---

**Applies to RCCM5615**

<b>Ref</b>	<b>Part No.</b>	<b>Part Description</b>	<b>Comments</b>	<b>Revision</b>
	dwg23958	Drawing Image Number		
	146.284.020.1	COMER CLUTCH, DISC COMPLETE *		
1.	180.014.022	COMER SPRING		
2.	151.018.016.1	COMER YOKE, FLANGED		
3.	180.019.019	COMER BUSH		
4.	180.019.018	COMER LINING RING		
5.	151.018.228.1	COMER CLUTCH SUPPORT		
6.	180.019.014	COMER INNER PLATE		
7.	180.019.115	COMER INTERMEDIATE PLATE		
8.	180.019.116.1	COMER PRESSURE PLATE		
9.	165.000.548	COMER BOLT WITH NUT M10X100		
10.	165.000.589	COMER TAPERED PIN SET 1 3/4		

# Driveline Slip Clutch (229829X0) Walterscheid

Applies to RCCM5615



25962

**Driveline Slip Clutch (229829X0) Walterscheid**

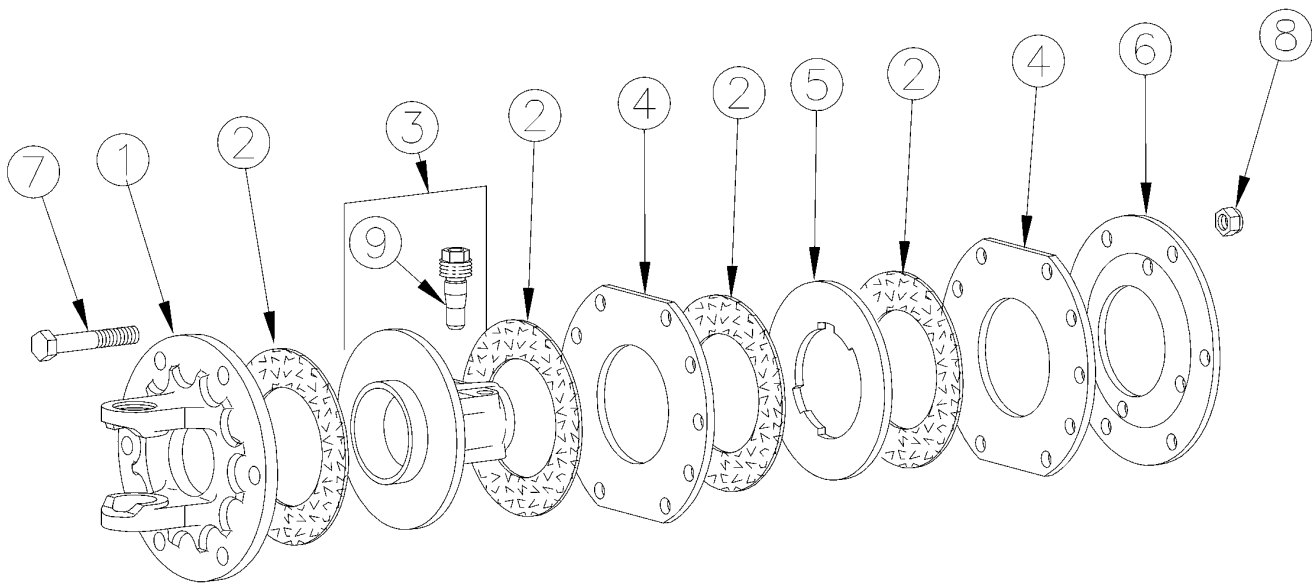
---

**Applies to RCCM5615**

<b>Ref</b>	<b>Part No.</b>	<b>Part Description</b>	<b>Comments</b>	<b>Revision</b>
	dwg25962 229829X0	Drawing Image Number WS FRICTION CLUTCH *		
1.	396298	WS FLANGE YOKE		
2.	168556	WS FRICTION DISK		
3.	391567	WS HUB 1 3/4-20 I.C.		
4.	391350	WS THRUST PLATE		
5.	391351	WS BELLEVILLE SPRING		
6.	20452	WS HEX BOLT M10X50		
7.	803-280C	NUT HEX NYLOCK M10X1.5 PLT		
8.	301.005	COSMO NUT HEX		
9.	20467	WS HEX BOLT M12X65		

# Driveline Slip Clutch (395980) Walterscheid

Applies to RCCM5615



25961

***Driveline Slip Clutch (395980) Walterscheid***

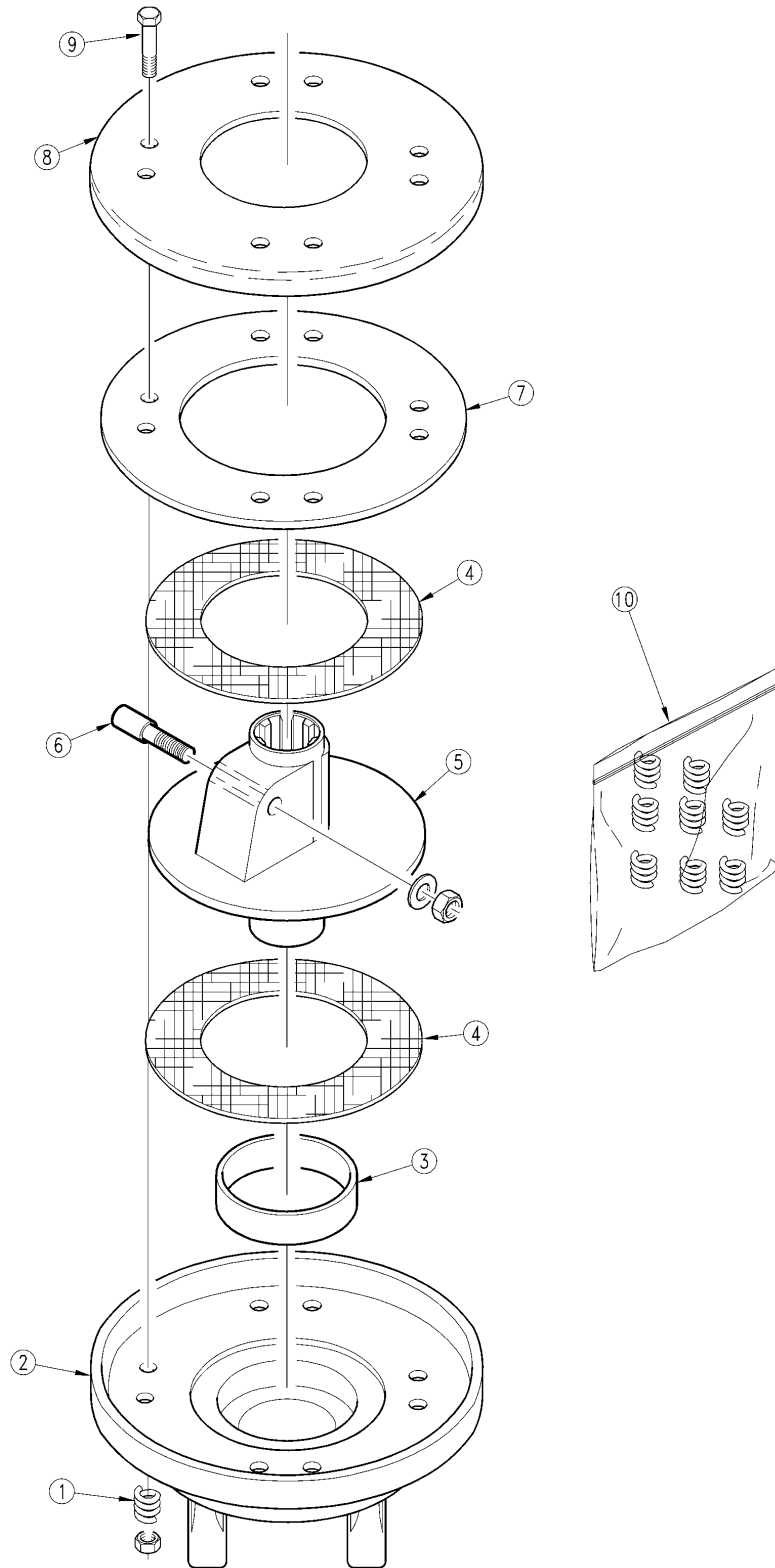
---

**Applies to RCCM5615**

<b>Ref</b>	<b>Part No.</b>	<b>Part Description</b>	<b>Comments</b>	<b>Revision</b>
	dwg25961 395980	Drawing Image Number WS FRICTION CLUTCH *		
1.	335605	FLANGE YOKE		
2.	168556	WS FRICTION DISK		
3.	393916	HUB		
4.	335603	DRIVE PLATE		
5.	393173	DRIVE PLATE		
6.	125545	WS BELLEVILLE SPRING		
7.	802-486C	HHCS M12X1.75X80 GR8.8 PLT		
8.	301.005	COSMO NUT HEX		
9.	107542	CC LOCK ASSY		

# Driveline Slip Clutch 1000 RPM (1406016) Eurocardan

Applies to RCCM5615



15523



**Driveline Slip Clutch 1000 RPM (1406016) Eurocardan**

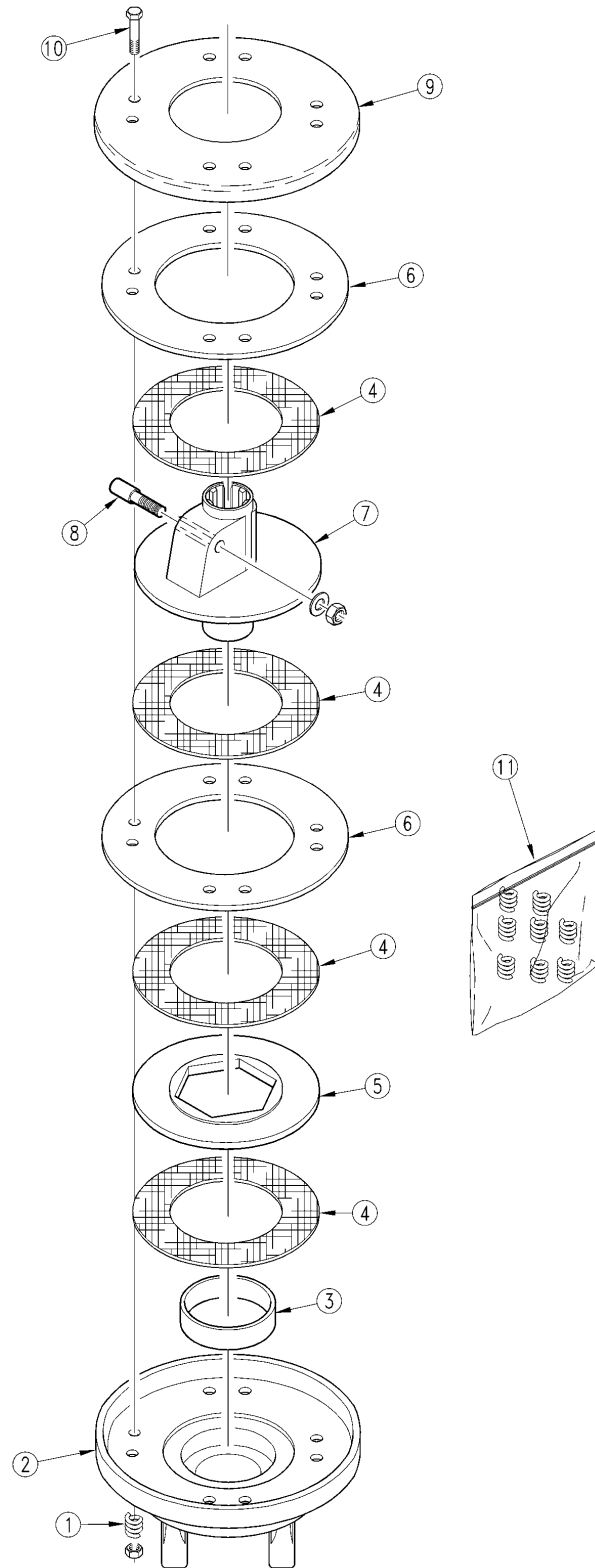
---

**Applies to RCCM5615**

<b>Ref</b>	<b>Part No.</b>	<b>Part Description</b>	<b>Comments</b>	<b>Revision</b>
	dwg15523	Drawing Image Number		
	1406016	EC CLUTCH FD2/6 1 3/4 20 SPL *		
1.	1215012	RPBY 330-297A		
2.	1706033	EC CLUTCH YOKE W/FLANGE		
3.	1705009	EC CLUTCH BUSHING		
4.	1808010	EC CLUTCH LINING RING		
5.	1708017	EC HUB WITH FLANGE		
6.	6821483	EC CONICAL DOG KIT REPLACEMENT		
7.	1138008	EC INNER DISK		
8.	1138007	EC PRESSURE DISK		
9.	6691080	EC COMPLETE BOLT		
10.	330-297A	EC CLUTCH FD2/6 1 3/4 20 SPL	Contains 8 Springs	

# Driveline Slip Clutch 540/1000 RPM (1446016) EC

Applies to RCCM5615



15521

**Driveline Slip Clutch 540/1000 RPM (1446016) EC**

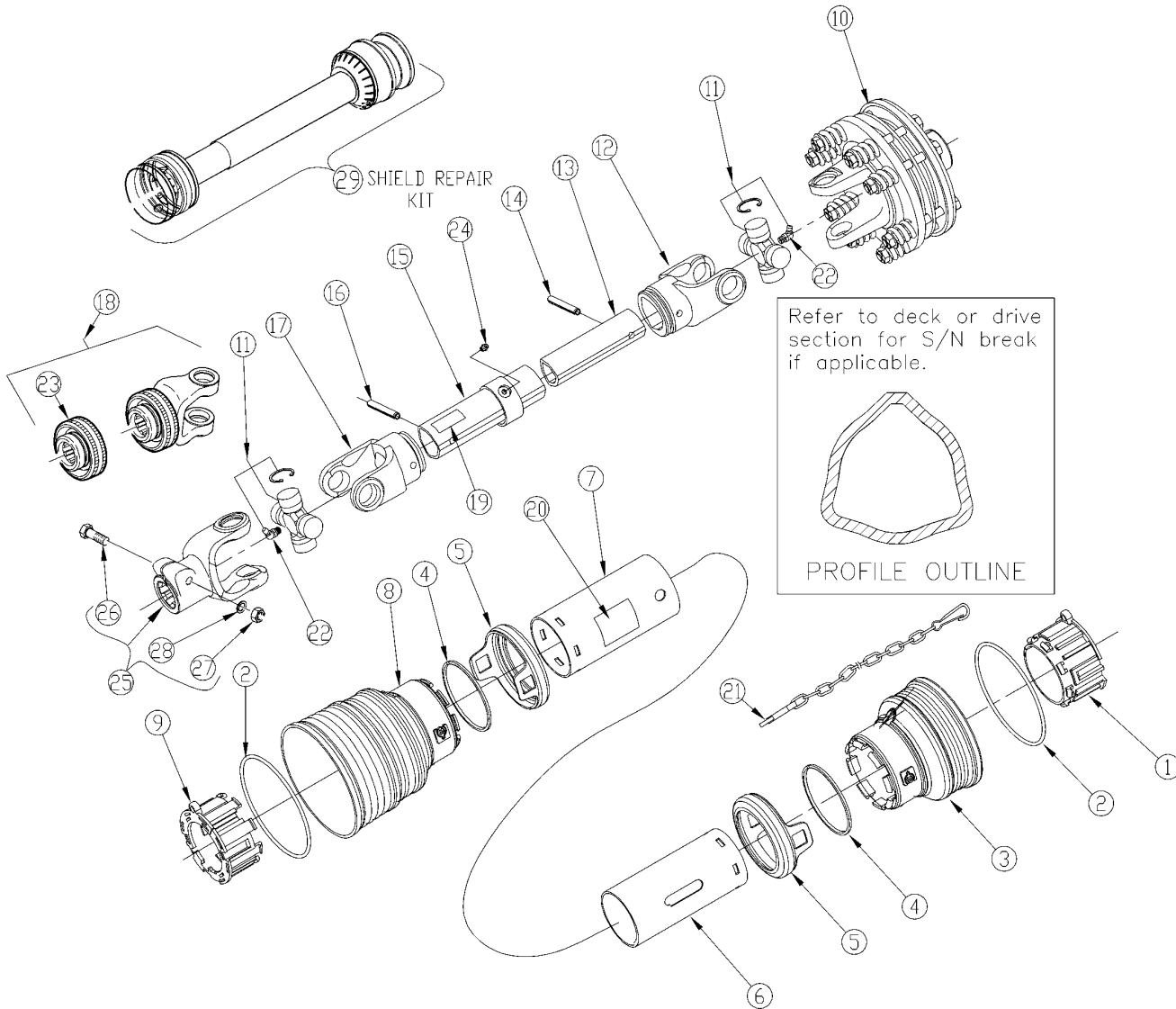
---

**Applies to RCCM5615**

<b>Ref</b>	<b>Part No.</b>	<b>Part Description</b>	<b>Comments</b>	<b>Revision</b>
	dwg15521	Drawing Image Number		
	1446016	EC CLUTCH FD4/6 1 3/4 20 SPL *		
1.	1215012	RPBY 330-297A		
2.	1706033	EC CLUTCH YOKE W/FLANGE		
3.	1705009	EC CLUTCH BUSHING		
4.	1808010	EC CLUTCH LINING RING		
5.	1708034	EC CLUTCH MIDDLE DISK		
6.	1138008	EC INNER DISK		
7.	1708016	EC HUB WITH FLANGE		
8.	6821484	EC CONICAL DOG KIT REPLACEMENT	Includes nut and washer	
9.	1138007	EC PRESSURE DISK		
10.	6691010	EC BOLT & SCREW NUT KIT REPL.		
11.	330-297A	SV KIT, EC SLIP CLUTCH SPRING	Contains 8 Springs	

# Driveline Wing (826-185C) EC New Shielding

Applies to RCCM5615



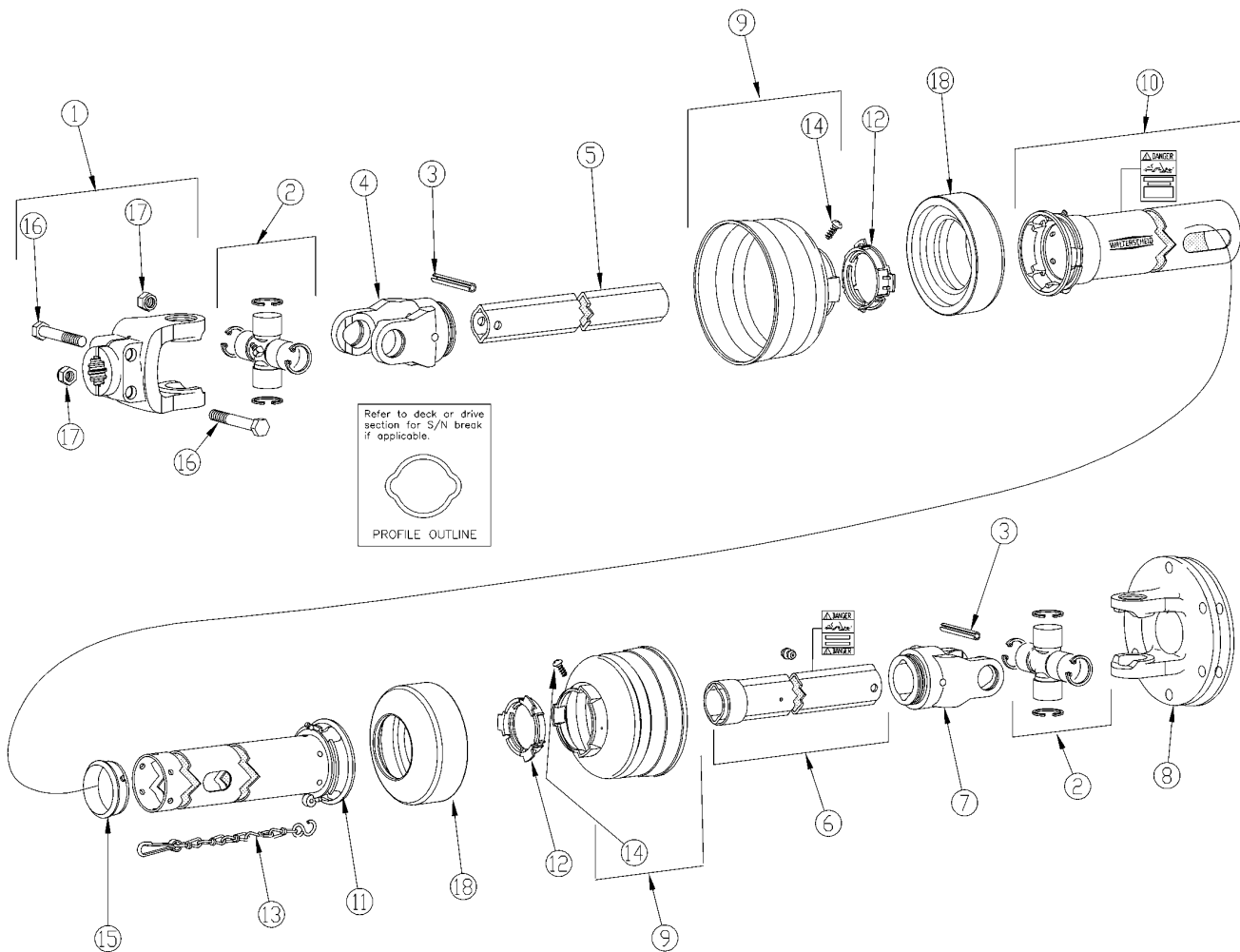
23996

**Driveline Wing (826-185C) EC New Shielding****Applies to RCCM5615**

Ref	Part No.	Part Description	Comments	Revision
	dwg23996	Drawing Image Number		
	826-185C	PTO CAT.4 W/CLUTCH 1 3/4-20 *		
1.	1786711	EC TUBE BEARING (INNER TUBE)		
2.	1215733	EC STIFFENING RING		
3.	1885702	EC SHORT CONE		
4.	1215735	EC STOP RING		
5.	1885709	EC SAFETY SLEEVE		
6.	1877901	EC INNER TUBE SHEILD		
6.	1877111	RPBY 1877901		
7.	1876901	EC OUTER TUBE SHEILD		
7.	1876111	RPBY 1876901		
8.	1885703	EC STANDARD CONE		
9.	1786710	EC TUBE BEARING (OUTER TUBE)		
10.	1446016	EC CLUTCH FD4/6 1 3/4 20 SPL		
11.	1006020	EC CROSS ASSEMBLY		
12.	1706029	EC INNER TUBE YOKE		
13.	1526121	EC 1380MM INNER TUBE		
14.	6331070	EC 10X70 ROLL PIN		
15.	1528901	EC OUTER TUBE		
15.	1528121	RPBY 1528901		
16.	6331080	EC 10X80-DIN-1481 O/TUBE R/PIN		
17.	1706027	EC OUTER TUBE YOKE		
18.	1016025	EC YOKE ASSY 1 3/4-20(TRAC.END		
19.	818-540C	DECAL DANGER GUARD MISS PTO		
20.	818-552C	DECAL DANGER PTO DRIVELINE		
21.	044321	DRIVELINE SHIELD SAFETY CHAIN		
22.	6560508	EC GREASE ZERK 8X1 45 DEG.		
23.	1006220	EC TWIST COLLAR KIT(TRACT END)		
24.	6560006	EC GREASE ZERK M6X1 STRAIGHT		
25.	1106025	EC YOKE		
26.	6761480	EC BOLT	Includes 27,28	
27.	6410114	EC SCREW NUT (M14)		
28.	6412114	EC WASHER (d14)		
29.	826-581C	SHIELD KIT, 826-185C		

# Driveline Wing (826-185C) Walterscheid

Applies to RCCM5615



25920

**Driveline Wing (826-185C) Walterscheid**

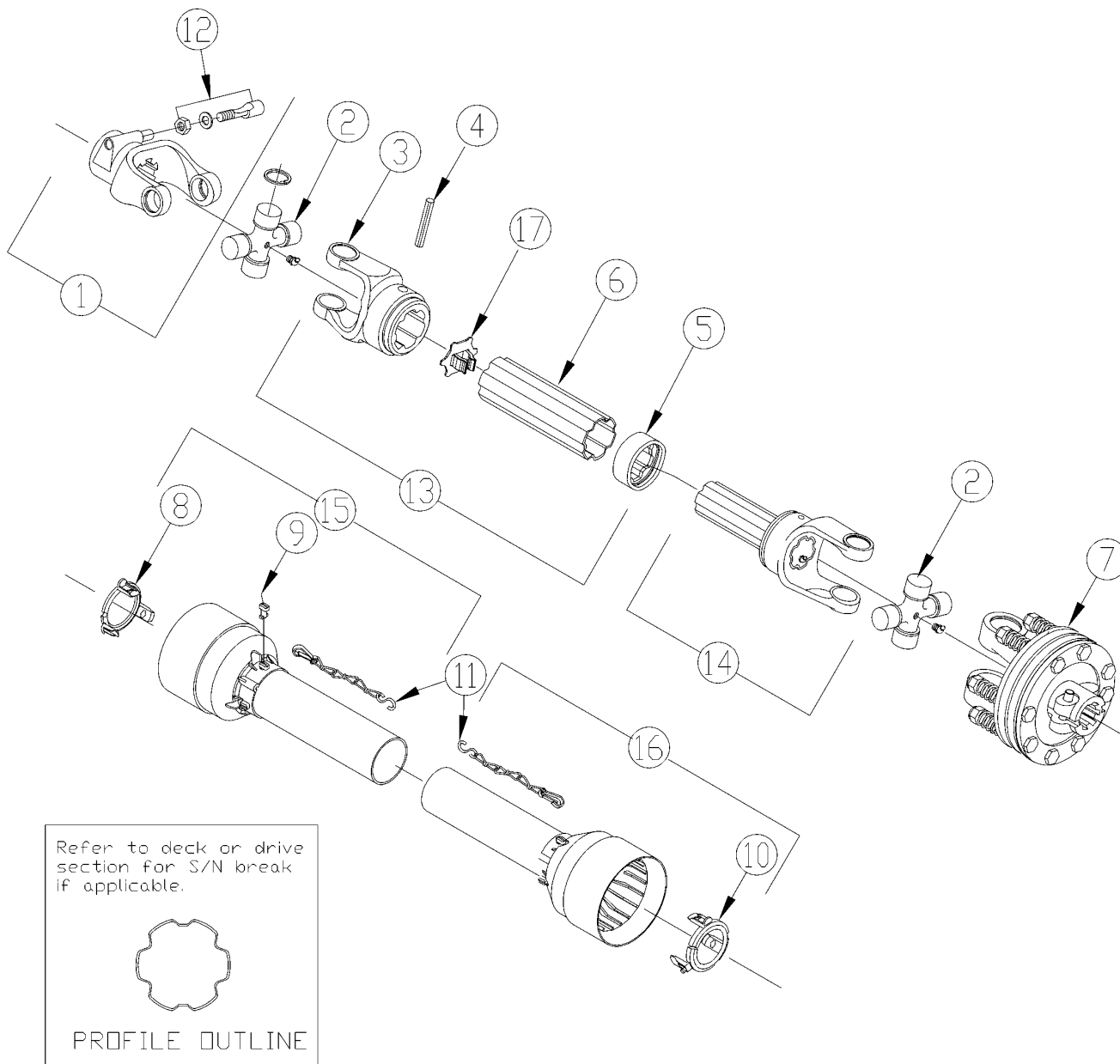
---

**Applies to RCCM5615**

<b>Ref</b>	<b>Part No.</b>	<b>Part Description</b>	<b>Comments</b>	<b>Revision</b>
	dwg25920	Drawing Image Number		
	826-185C	PTO CAT.4 W/CLUTCH 1 3/4-20 *		
1.	229845X0	WS YOKE 1 3/4-20SPL I.C.		
2.	HM.243	WS CROSS & BRG KIT		
3.	020617	WS SPRING PIN 10 X 20		
4.	28133000	WS INBOARD YOKE 1B		
5.	094784	WS INNER PROFILE 1B		
6.	388415	WS PROFILE & SLEEVE W.A.		
7.	28133100	WS INBOARD YOKE 2A		
8.	229829X0	WS FRICTION CLUTCH		
9.	105083	WS SHIELD CONE		
10.	397494	WS OUT. SHIELD TUBE OBL		
11.	397495	WS INN. SHIELD TUBE RND		
12.	087276	WS BRG RING - SC25		
13.	044321	DRIVELINE SHIELD SAFETY CHAIN		
14.	365305	WS SCREW		
15.	355155	WS SUPPORT BRG		
16.	020466	WS BOLT M12 X 60 - 8.8		
17.	301.005	COSMO NUT HEX		
18.	359471	WS REINFORCING COLLAR		

# Driveline Wing (826-481C) Comer

Applies to RCCM5615





**Driveline Wing (826-481C) Comer**

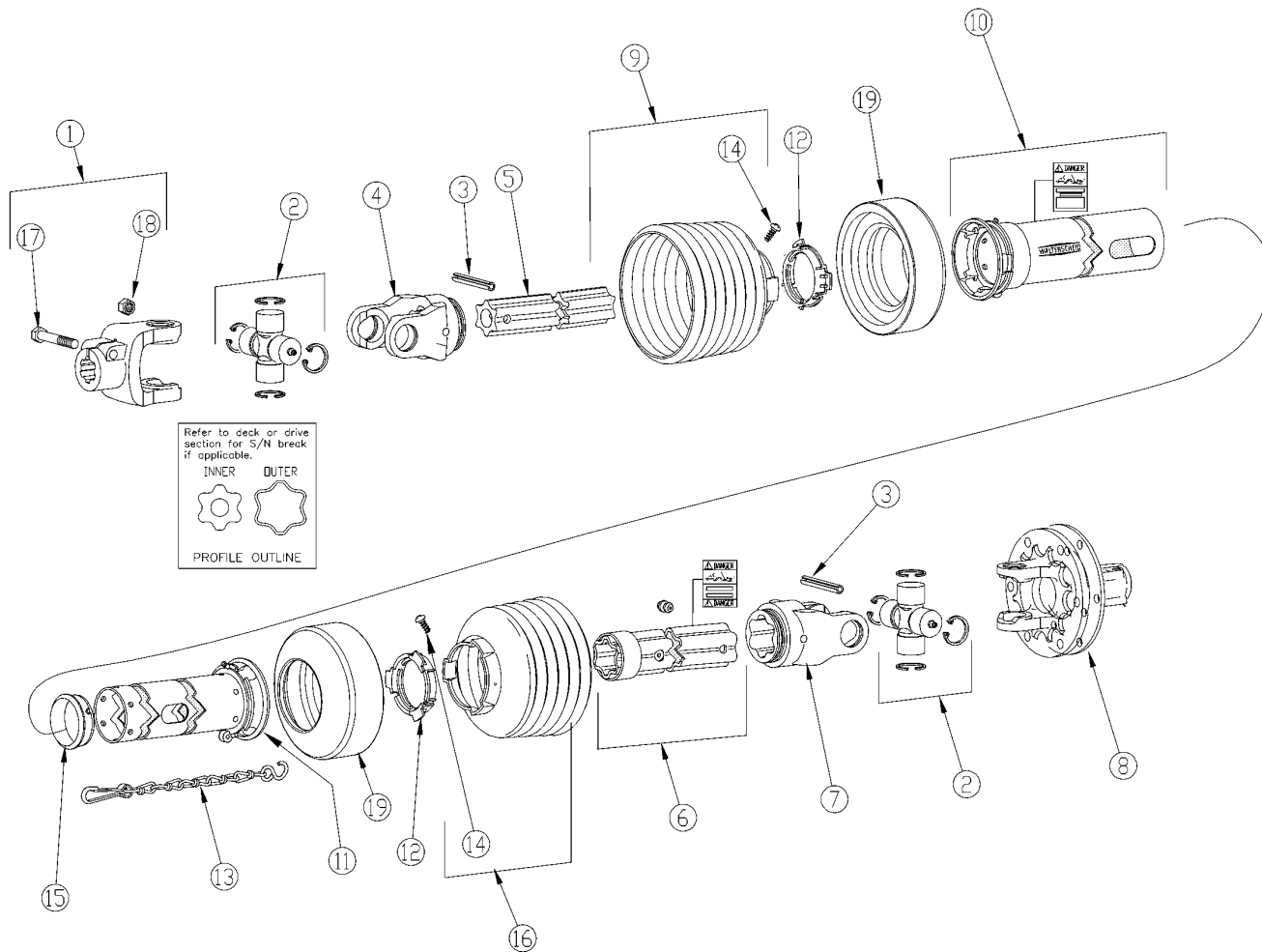
---

**Applies to RCCM5615**

<b>Ref</b>	<b>Part No.</b>	<b>Part Description</b>	<b>Comments</b>	<b>Revision</b>
	dwg23953	Drawing Image Number		
	826-481C	PTO V80 X 59.3 1280NM CLUTCH *		
1.	141.028.195.1	COMER YOKE COMPLETE		
2.	180.018.004	COMER CROSS ASSEMBLY		
3.	151.018.241.1	COMER YOKE OUTER		
4.	190.000.243	COMER OUTER TUBE ROLL PIN		
5.	180.018.437	COMER WIPER		
6.	1522805450710	COMER TUBE OUTER		
7.	146.284.020.1	COMER CLUTCH, DISC COMPLETE		
8.	180.018.251	COMER RETAINING COLLER INNER		
9.	180.014.240	COMER BOLT		
10.	180.018.252	COMER RETAINING COLLER INNER		
11.	180.016.025	COMER SAFTEY CHAINS		
12.	165.000.589	COMER TAPERED PIN SET 1 3/4		
13.	122.580.023.1	COMER TUBE W/YOKE/LUBE/FEMALE		
14.	122.580.511.1	COMER TUBE W/YOKE/LUBE/MALE		
15.	1422831949821	COMER HALF FEMALE GRD W/LABEL		
16.	1422871029821	COMER HALF MALE GUARDING		
17.	180.018.393	COMER CAP OUTER TUBE, PLASTIC		

# Driveline Wing (826-481C) Walterscheid

Applies to RCCM5615



**Driveline Wing (826-481C) Walterscheid**

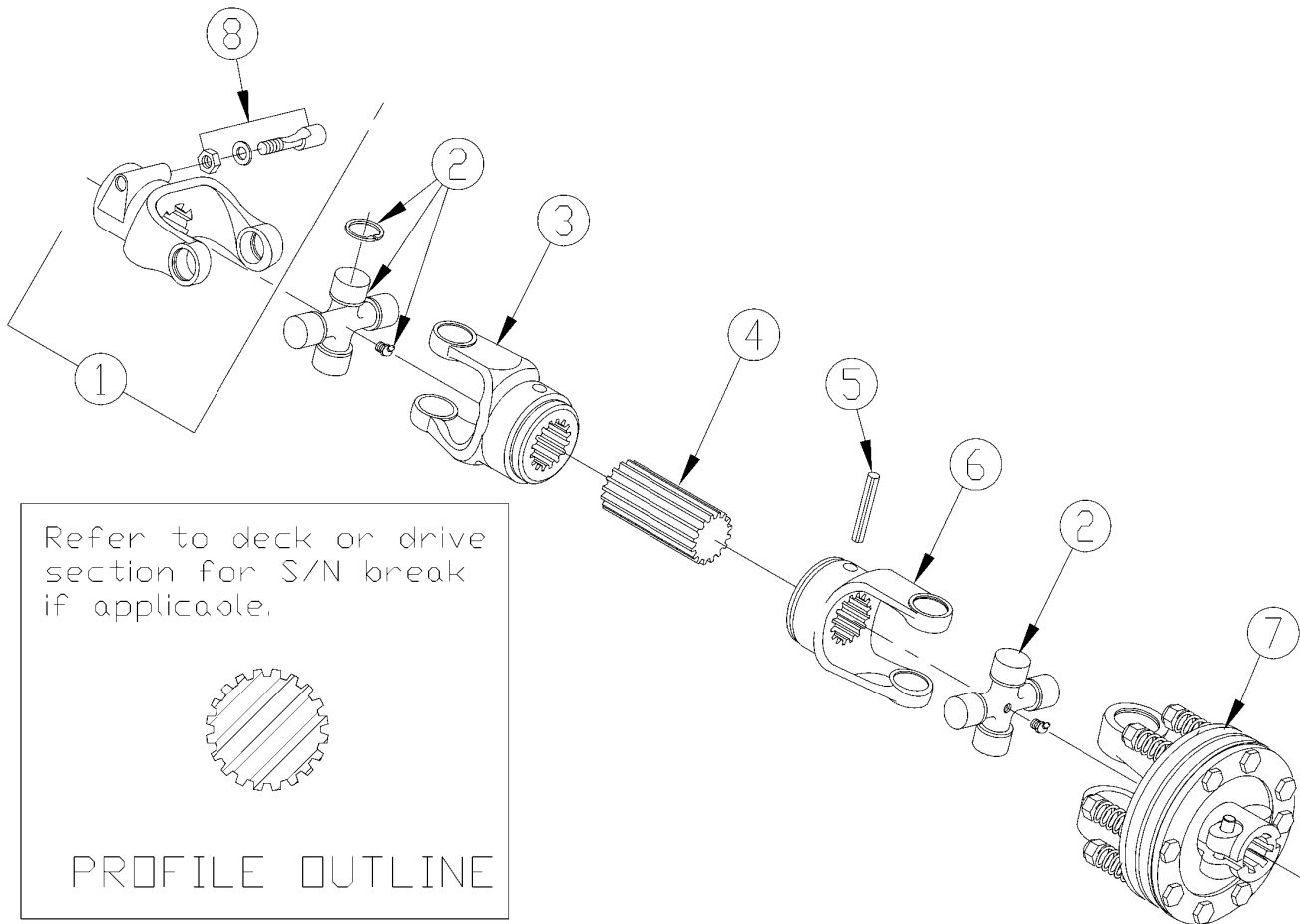
---

**Applies to RCCM5615**

<b>Ref</b>	<b>Part No.</b>	<b>Part Description</b>	<b>Comments</b>	<b>Revision</b>
	dwg25919	Drawing Image Number		
	826-481C	PTO V80 X 59.3 1280NM CLUTCH *		
1.	325027	WS YOKE 1 3/4-20 SPL.I.C. 2500		
2.	312209	WS CROSS & BRG KIT 2500		
3.	304046	WS SPRING PIN 10 X 90		
4.	097133	WS INBOARD YOKE S4		
5.	323524	WS INNER PROFILE S4L		
6.	397493	WS OUTER PROFILE S5L		
7.	097140	WS INBOARD YOKE S5		
8.	395980	WS FRICTION CLUTCH		
9.	377437	WS SHIELD CONE 7 RIB		
10.	394874	WS OUT SHIELD TUBE OVL		
11.	387767	WS INNER SHIELD TUBE RND		
12.	087276	WS BRG RING - SC25		
13.	044321	DRIVELINE SHIELD SAFETY CHAIN		
14.	365305	WS SCREW		
15.	396295	WS SUPPORT BEARING		
16.	377436	WS SHIELD CONE - 6 RIB		
17.	702352	WS HEX BOLT M16 X 90 GR 8.8		
18.	304011	WS LOCK NUT M16		
19.	359474	WS REINFORCING COLLAR		

# Driveline Center (826-478C) Comer

Applies to RCC5615



**Driveline Center (826-478C) Comer**

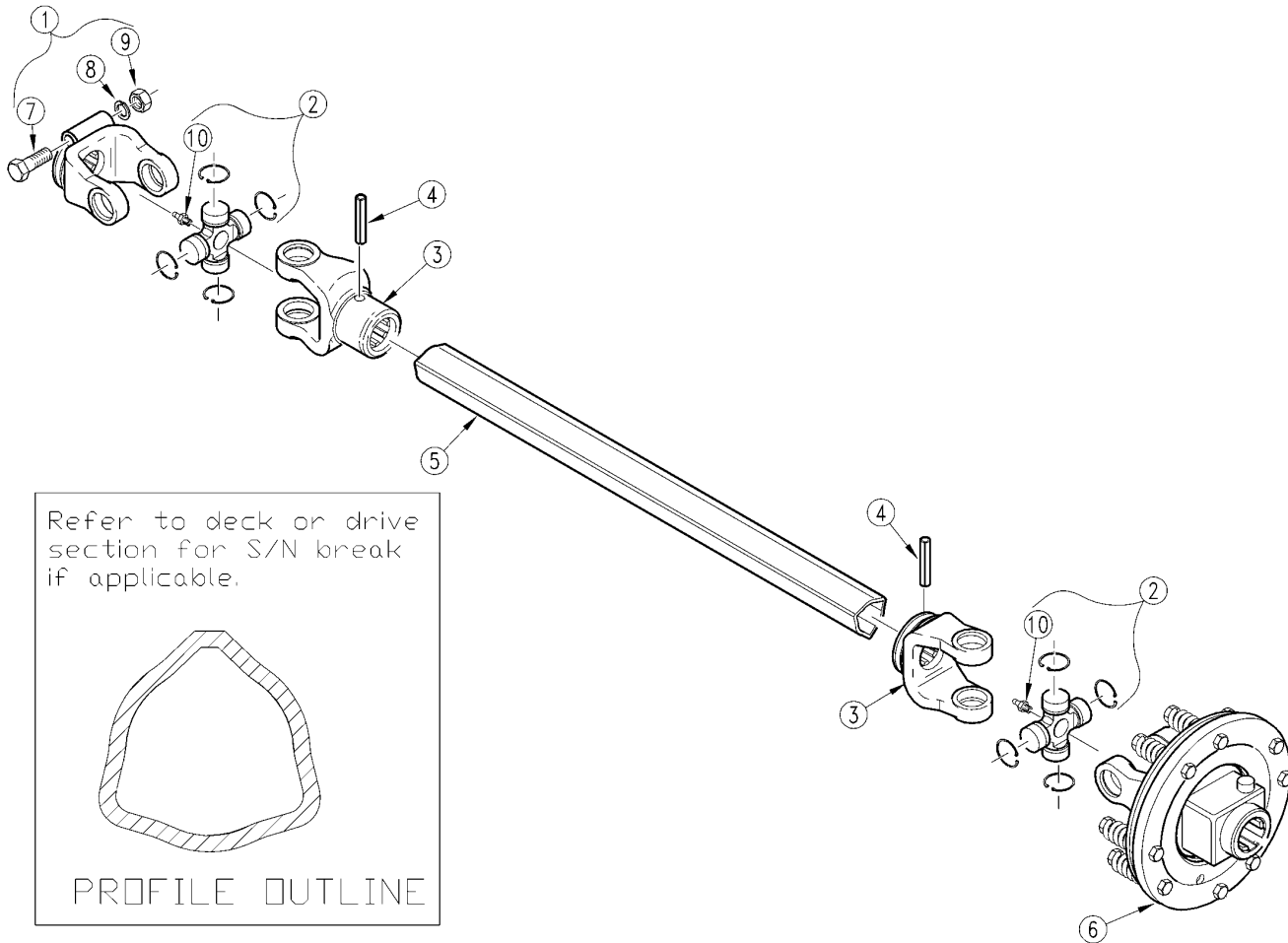
---

**Applies to RCC5615**

<b>Ref</b>	<b>Part No.</b>	<b>Part Description</b>	<b>Comments</b>	<b>Revision</b>
	dwg23952	Drawing Image Number		
	826-478C	PTO E60 X 21.7 1280NM CLUTCH *	Cat. 5	
1.	141.026.357.1	COMER YOKE COMPLETE		
2.	180.016.130	COMER CROSS ASSEMBLY		
3.	170.016.630.1	COMER YOKE, OUTER		
4.	155.150.724	COMER SHAFT, SPLINED		
5.	190.000.016	COMER ROLL PIN, INNER TUBE		
6.	151.016.031.1	COMER INNER YOKE		
7.	146.264.024.1	COMER CLUTCH, COMPLETE ASSY		
8.	165.000.589	COMER TAPERED PIN SET 1 3/4		

# Driveline Center 540 RPM (826-183C) Eurocardan

Applies to RCC5615



**Driveline Center 540 RPM (826-183C) Eurocardan**

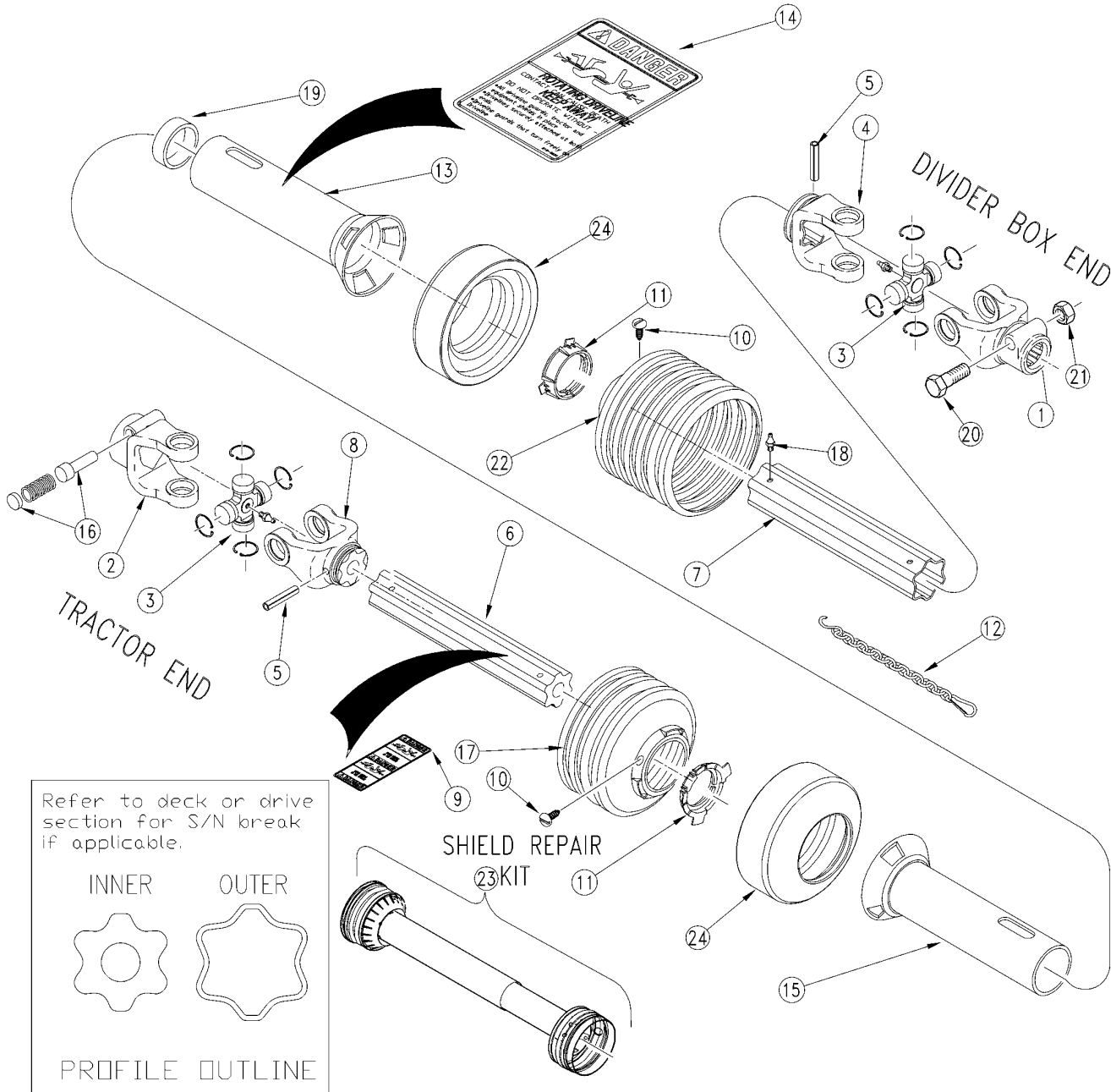
---

**Applies to RCC5615**

<b>Ref</b>	<b>Part No.</b>	<b>Part Description</b>	<b>Comments</b>	<b>Revision</b>
	dwg15570	Drawing Image Number		
	826-183C	PTO INT. CAT.4 540W/CLUTCH *		
	6761280	EC BOLT ASSY KIT	Includes items 7, 8 & 9	
1.	1106525	YOKE ASSEMBLY (TRACTOR END)		
2.	1006020	CROSS ASSEMBLY		
3.	1706027	OUTER TUBE YOKE		
4.	6331080	10 X 80-DIN-148 ROLL PIN		
5.	1528014D	EC TUBE JACK SHAFT		
5.	1528304	RPBY 1528014D		
6.	1446016	TORQUE LIMITER 4 FRICTION DISC		
7.	6141280	EC.BOLT		
8.	6412112	EC SPRING WASHER		
9.	6410112	EC NUT		
10.	084099	WS ZERK M8 X 1		

# Driveline Conv. 540 RPM (826-112C) Walterscheid

Applies to RCC5615





**Driveline Conv. 540 RPM (826-112C) Walterscheid**

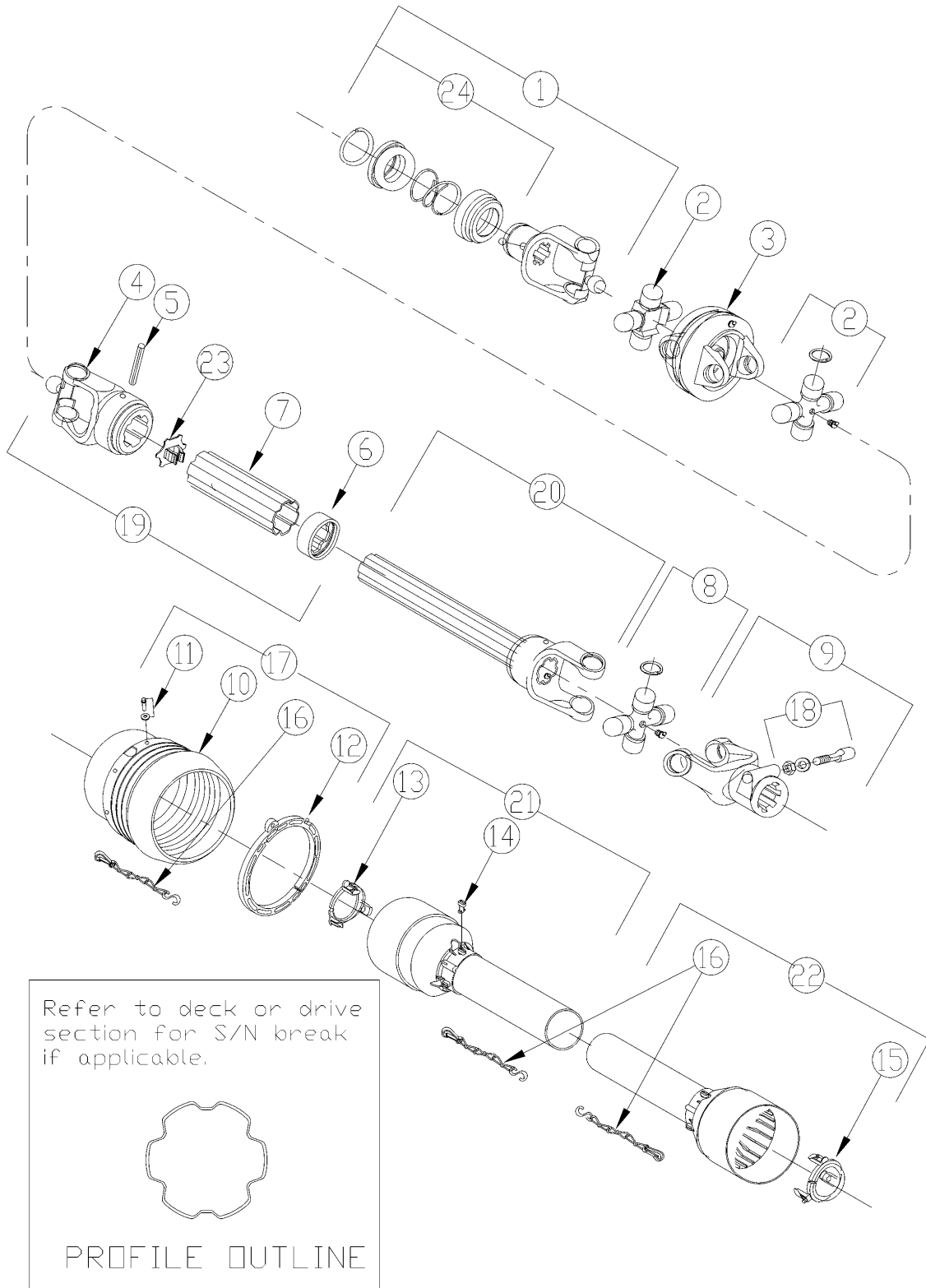
---

**Applies to RCC5615**

<b>Ref</b>	<b>Part No.</b>	<b>Part Description</b>	<b>Comments</b>	<b>Revision</b>
	dwg18548	Drawing Image Number		
	826-112C	PTO 2500 X 39.76 NO CLUTCH *		
1.	325027	WS YOKE 1 3/4-20 SPL.I.C. 2500		
2.	362428	WS YOKE 1 3/8"-6 SPL. ASG		
3.	312209	WS CROSS & BEARING KIT 2500		
4.	097140	WS INBOARD YOKE 2500		
5.	304046	WS SPRING PIN 10 X 90		
6.	321256	WS INNER PROFILE 2400		
7.	390257	WS PROFILE & SLEEVE W.A.		
8.	097133	WS INBOARD YOKE 2400		
9.	818-540C	DECAL DANGER GUARD MISS PTO		
10.	365305	WALTERSCHEID SCREW		
11.	087276	WS BEARING RING - SC25		
12.	044321	WALTERSCHEID SAFETY CHAIN		
13.	389850	WS OUTER SHIELD TUBE RND.		
14.	818-552C	DECAL DANGER PTO DRIVELINE		
15.	388957	WS INNER SHIELD TUBE ROUND		
16.	339107	WS Q.D. PIN KIT		
17.	377437	WS SHIELD CONE 7 RIB		
18.	380371	WS ZERK		
19.	355155	WS SUPPORT BEARING		
20.	702352	WS HEX BOLT M16 X 90 GR 8.8		
21.	304011	WS LOCK NUT M16		
22.	377442	WS SHIELD CONE - 12 RIB		
23.	826-587C	SHIELD KIT, 826-112C		
24.	359474	WS REINFORCING COLLAR		

# Driveline CV 540 RPM (826-476C) Comer

Applies to RCC5615



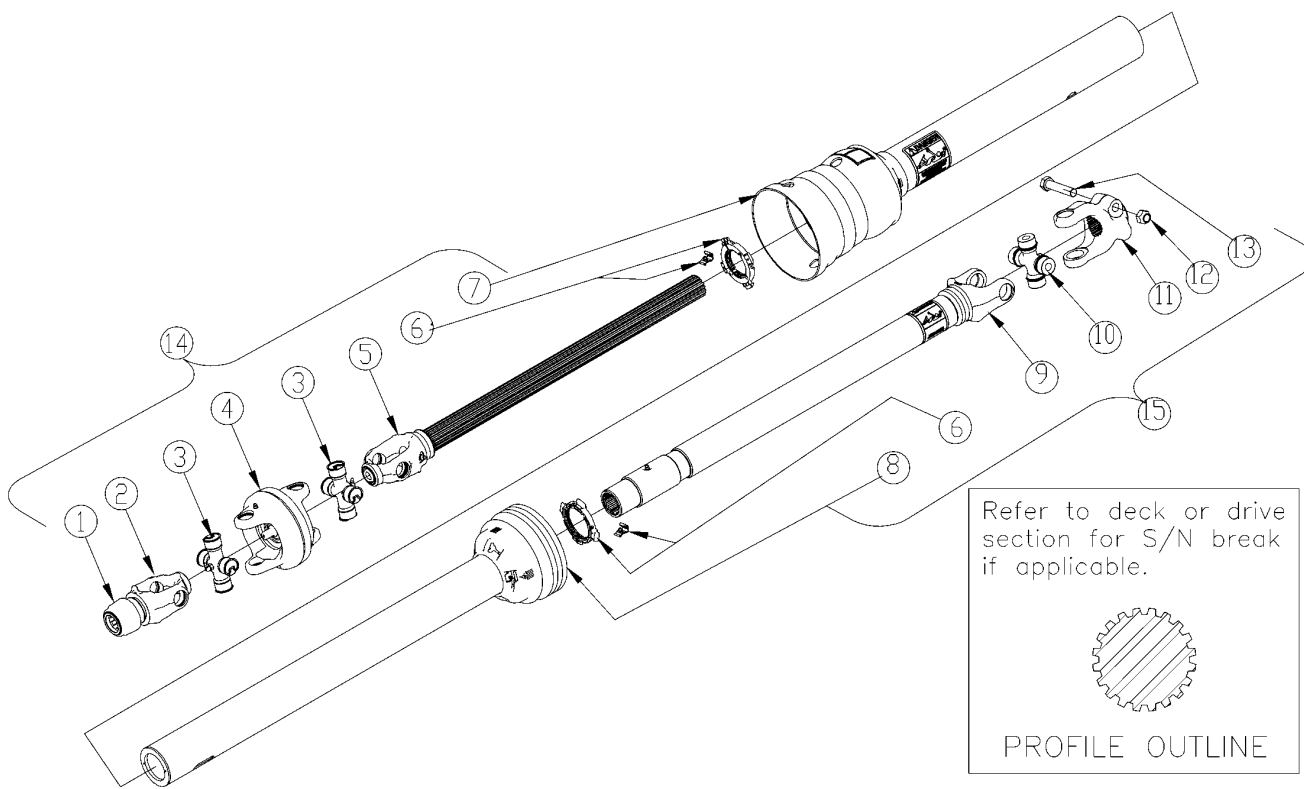
23947

**Driveline CV 540 RPM (826-476C) Comer****Applies to RCC5615**

Ref	Part No.	Part Description	Comments	Revision
	dwg23947	Drawing Image Number		
	826-476C	RPBY 826-643C		
		*		
1.	141.028.358.1	COMER COLLER YOKE ASSEMBLY		
2.	180.018.158	COMER CV -JOINT CROSS ASSEMBLY		
3.	141.028.472.1	COMER WIDE ANGLE DOUBLE YOKE		
4.	141.028.248.1	COMER OUTER YOKE		
5.	190.000.243	COMER OUTER TUBE ROLL PIN		
6.	180.018.437	COMER WIPER		
7.	1522805320710	COMER OUTER TUBE		
8.	180.018.004	COMER CROSS ASSEMBLY		
9.	141.028.195.1	COMER YOKE COMPLETE		
10.	180.018.567	COMER CV JOINT GUARD CONE		
11.	165.000.694	COMER SCREW KIT FOR CV GUARD		
12.	158.018.470	COMER BEARING RING		
13.	180.018.251	COMER RETAINING COLLER INNER		
14.	180.014.240	COMER BOLT		
15.	180.018.252	COMER RETAINING COLLER INNER		
16.	180.016.025	COMER SAFTEY CHAINS		
17.	165.000.785	COMER CONE GUARD ASSEMBLY		
18.	165.000.589	COMER TAPERED PIN SET 1 3/4		
19.	122.981.027.1	COMER TUBE W/YOKE/LUBE/FEMALE		
20.	122.580.510.1	COMER TUBE W/YOKE/LUBE /MALE		
21.	1422831412821	COMER HLF FEMALE GRD W/LABEL		
22.	1422871632821	COMER HALF MALE GUARDING		
23.	180.018.393	COMER CAP OUTER TUBE, PLASTIC		
24.	165.000.628	COMER COLLER KIT 3/8 YOKE		

**Driveline CV 540 RPM (826-643C) Weasler (S/N \_\_\_\_\_ +)**

**Applies to RCC5615**



**Driveline CV 540 RPM (826-643C) Weasler (S/N \_\_\_\_\_ +)**

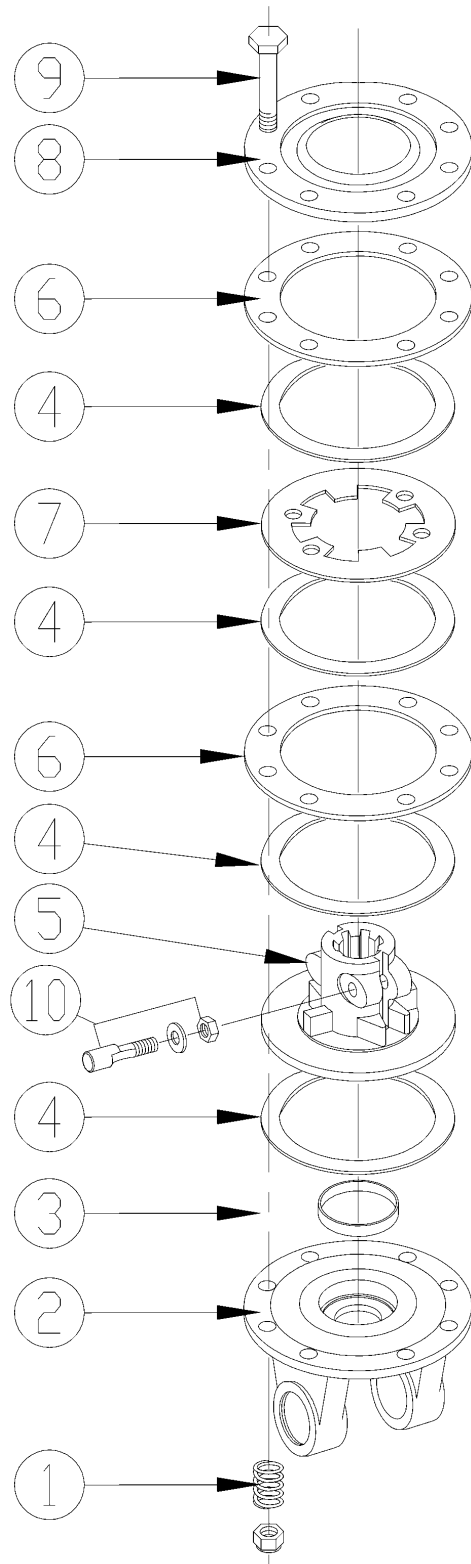
---

**Applies to RCC5615**

<b>Ref</b>	<b>Part No.</b>	<b>Part Description</b>	<b>Comments</b>	<b>Revision</b>
	dwg30185	Drawing Image Number		
	826-643C	PTO CV 540 NO CLUTCH *		
1.	26-15120	WE SSL/AUTO-LOK REPAIR KIT		
2.	68810-1004	WE WWCV AUTO-LOK YOKE ASM		
3.	03-15570	WE AB8/AW25EBL CROSS KIT		
4.	26-16033	WE WWCV CENTER HOUSING		
5.	99-24406	WE YOKE&SHAFT (1.69-20 SPLINE)		
6.	19-15121	WE GRD REPAIR KIT		
7.	97-24406	WE OUTER GUARD		
8.	96-24406	WE INNER GUARD		
9.	98-24406	WE YOKE, TUBE & SLIP SLEEVE		
10.	03-15316	WE 55EBL CROSS KIT		
11.	55051-1817	WE YOKE		
12.	11-14988	WE LOCK NUT .625-11		
13.	11-15180	WE BOLT .625-11 X 3.00L GR8		
14.	93-24406	WE JOINT&SHFT HALF ASM W/GUARD		
15.	92-24406	WE JOINT&TUBE HALF ASM W/GUARD		

# Driveline Slip Clutch (146.264.024.1) Comer

Applies to RCC5615



23957

**Driveline Slip Clutch (146.264.024.1) Comer**

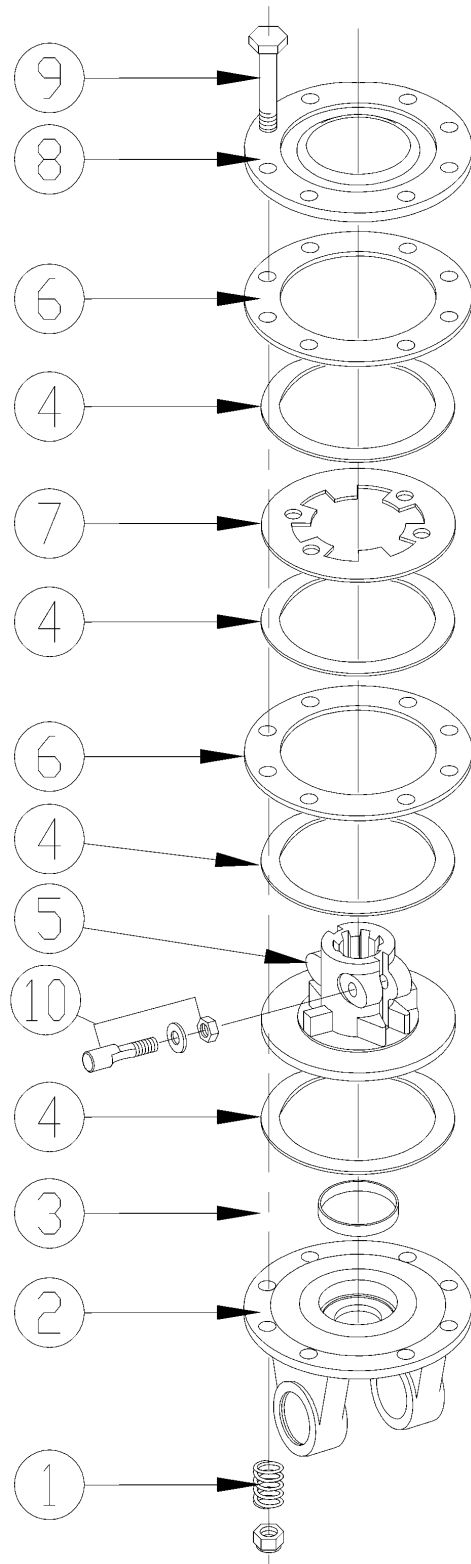
---

**Applies to RCC5615**

<b>Ref</b>	<b>Part No.</b>	<b>Part Description</b>	<b>Comments</b>	<b>Revision</b>
	dwg23957	Drawing Image Number		
	146.264.024.1	COMER CLUTCH, COMPLETE ASSY *		
1.	180.014.022	COMER SPRING		
2.	151.016.037.1	COMER YOKE, FLANGED		
3.	180.019.019	COMER BUSH		
4.	180.019.018	COMER LINING RING		
5.	151.018.228.1	COMER CLUTCH SUPPORT		
6.	180.019.014	COMER INNER PLATE		
7.	180.019.115	COMER INTERMEDIATE PLATE		
8.	180.019.116.1	COMER PRESSURE PLATE		
9.	165.000.548	COMER BOLT WITH NUT M10X100		
10.	165.000.589	COMER TAPERED PIN SET 1 3/4		

# Driveline Slip Clutch (146.284.020.1) Comer

Applies to RCC5615



23958



**Driveline Slip Clutch (146.284.020.1) Comer**

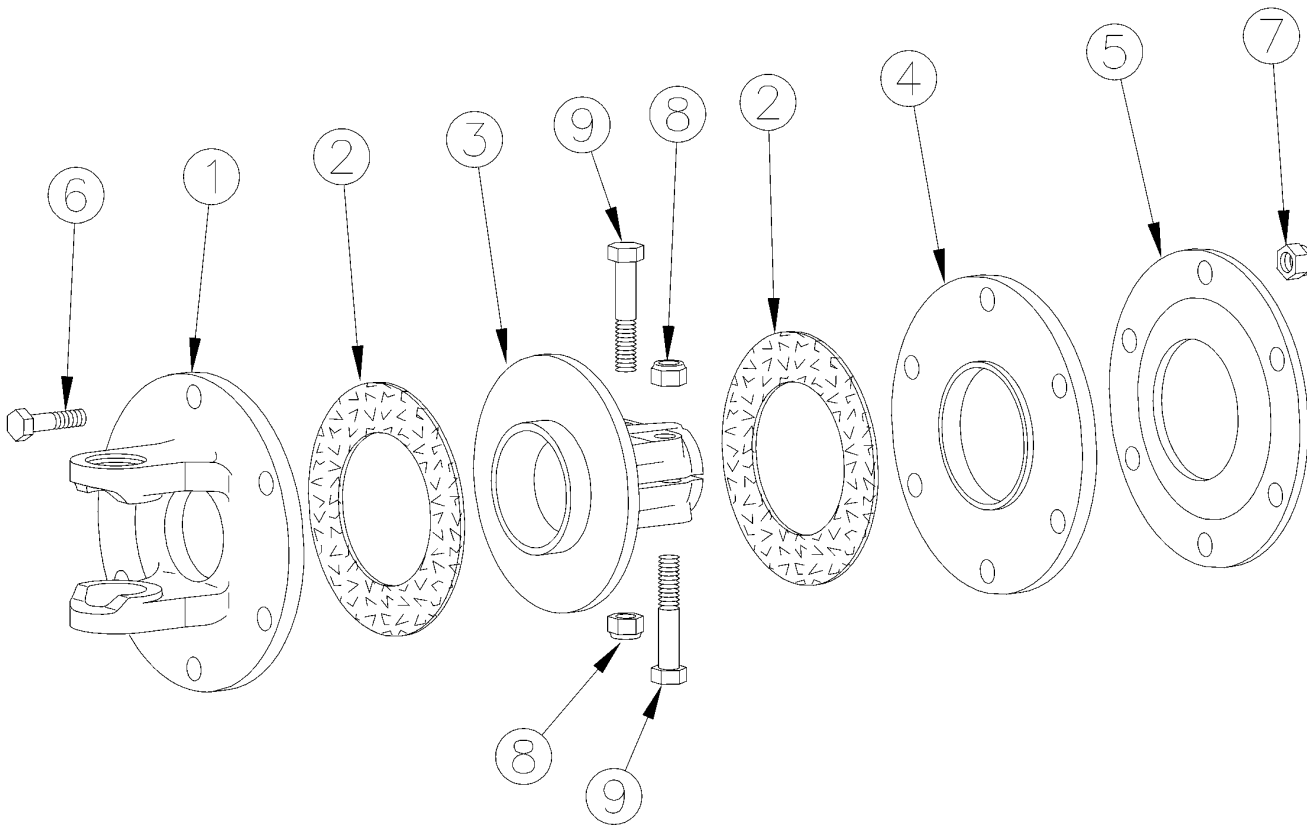
---

**Applies to RCC5615**

<b>Ref</b>	<b>Part No.</b>	<b>Part Description</b>	<b>Comments</b>	<b>Revision</b>
	dwg23958	Drawing Image Number		
	146.284.020.1	COMER CLUTCH, DISC COMPLETE *		
1.	180.014.022	COMER SPRING		
2.	151.018.016.1	COMER YOKE, FLANGED		
3.	180.019.019	COMER BUSH		
4.	180.019.018	COMER LINING RING		
5.	151.018.228.1	COMER CLUTCH SUPPORT		
6.	180.019.014	COMER INNER PLATE		
7.	180.019.115	COMER INTERMEDIATE PLATE		
8.	180.019.116.1	COMER PRESSURE PLATE		
9.	165.000.548	COMER BOLT WITH NUT M10X100		
10.	165.000.589	COMER TAPERED PIN SET 1 3/4		

# Driveline Slip Clutch (229829X0) Walterscheid

Applies to RCC5615



25962

**Driveline Slip Clutch (229829X0) Walterscheid**

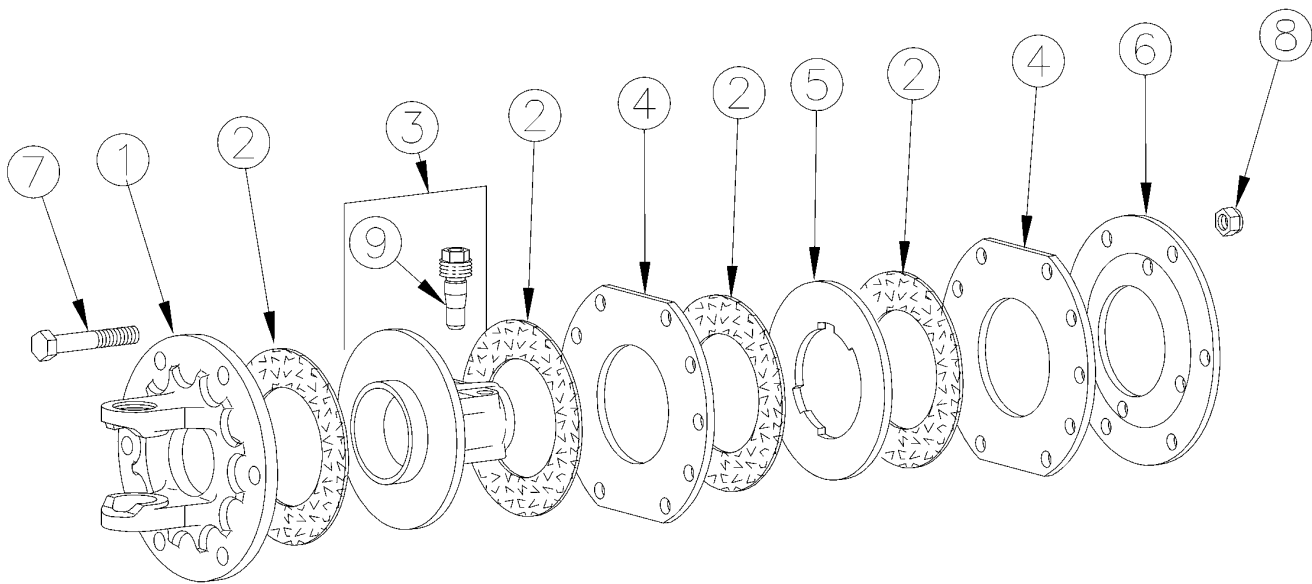
---

**Applies to RCC5615**

<b>Ref</b>	<b>Part No.</b>	<b>Part Description</b>	<b>Comments</b>	<b>Revision</b>
	dwg25962	Drawing Image Number		
	229829X0	WS FRICTION CLUTCH *		
1.	396298	WS FLANGE YOKE		
2.	168556	WS FRICTION DISK		
3.	391567	WS HUB 1 3/4-20 I.C.		
4.	391350	WS THRUST PLATE		
5.	391351	WS BELLEVILLE SPRING		
6.	20452	WS HEX BOLT M10X50		
7.	803-280C	NUT HEX NYLOCK M10X1.5 PLT		
8.	301.005	COSMO NUT HEX		
9.	20467	WS HEX BOLT M12X65		

# Driveline Slip Clutch (395980) Walterscheid

Applies to RCC5615



25961

***Driveline Slip Clutch (395980) Walterscheid***

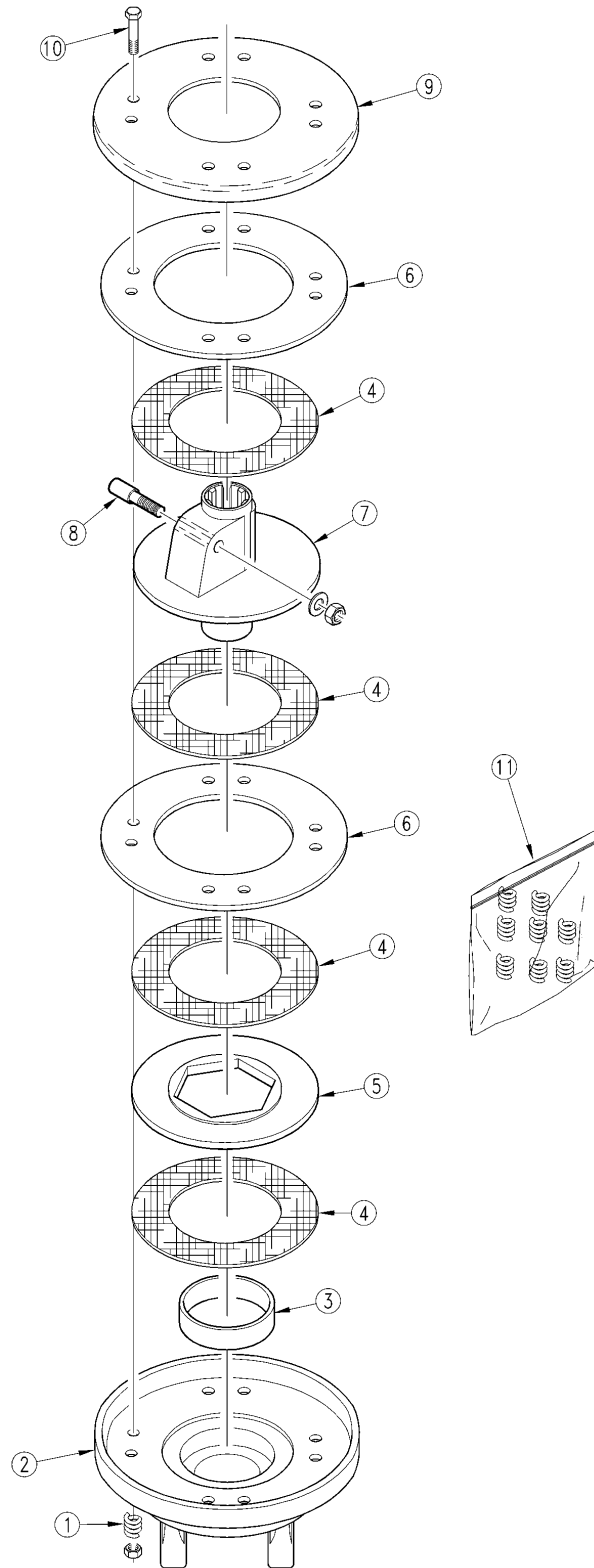
---

**Applies to RCC5615**

<b>Ref</b>	<b>Part No.</b>	<b>Part Description</b>	<b>Comments</b>	<b>Revision</b>
	dwg25961 395980	Drawing Image Number WS FRICTION CLUTCH *		
1.	335605	FLANGE YOKE		
2.	168556	WS FRICTION DISK		
3.	393916	HUB		
4.	335603	DRIVE PLATE		
5.	393173	DRIVE PLATE		
6.	125545	WS BELLEVILLE SPRING		
7.	802-486C	HHCS M12X1.75X80 GR8.8 PLT		
8.	301.005	COSMO NUT HEX		
9.	107542	CC LOCK ASSY		

# Driveline Slip Clutch 540/1000 RPM (1446016) EC

Applies to RCC5615



15521

**Driveline Slip Clutch 540/1000 RPM (1446016) EC**

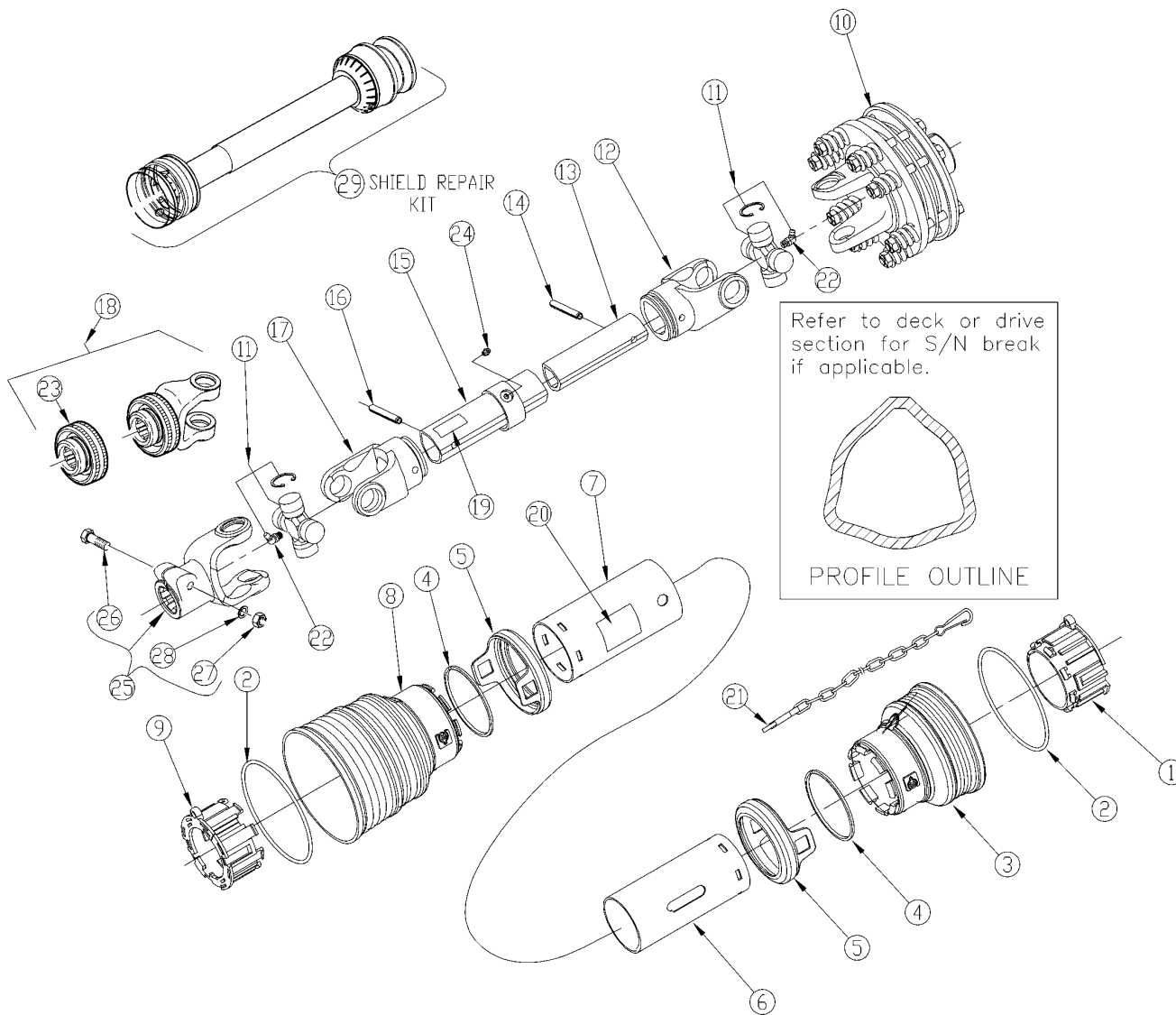
---

**Applies to RCC5615**

<b>Ref</b>	<b>Part No.</b>	<b>Part Description</b>	<b>Comments</b>	<b>Revision</b>
	dwg15521	Drawing Image Number		
	1446016	EC CLUTCH FD4/6 1 3/4 20 SPL *		
1.	1215012	RPBY 330-297A		
2.	1706033	EC CLUTCH YOKE W/FLANGE		
3.	1705009	EC CLUTCH BUSHING		
4.	1808010	EC CLUTCH LINING RING		
5.	1708034	EC CLUTCH MIDDLE DISK		
6.	1138008	EC INNER DISK		
7.	1708016	EC HUB WITH FLANGE		
8.	6821484	EC CONICAL DOG KIT REPLACEMENT	Includes nut and washer	
9.	1138007	EC PRESSURE DISK		
10.	6691010	EC BOLT & SCREW NUT KIT REPL.		
11.	330-297A	SV KIT, EC SLIP CLUTCH SPRING	Contains 8 Springs	

# Driveline Wing (826-185C) EC New Shielding

Applies to RCC5615



23996

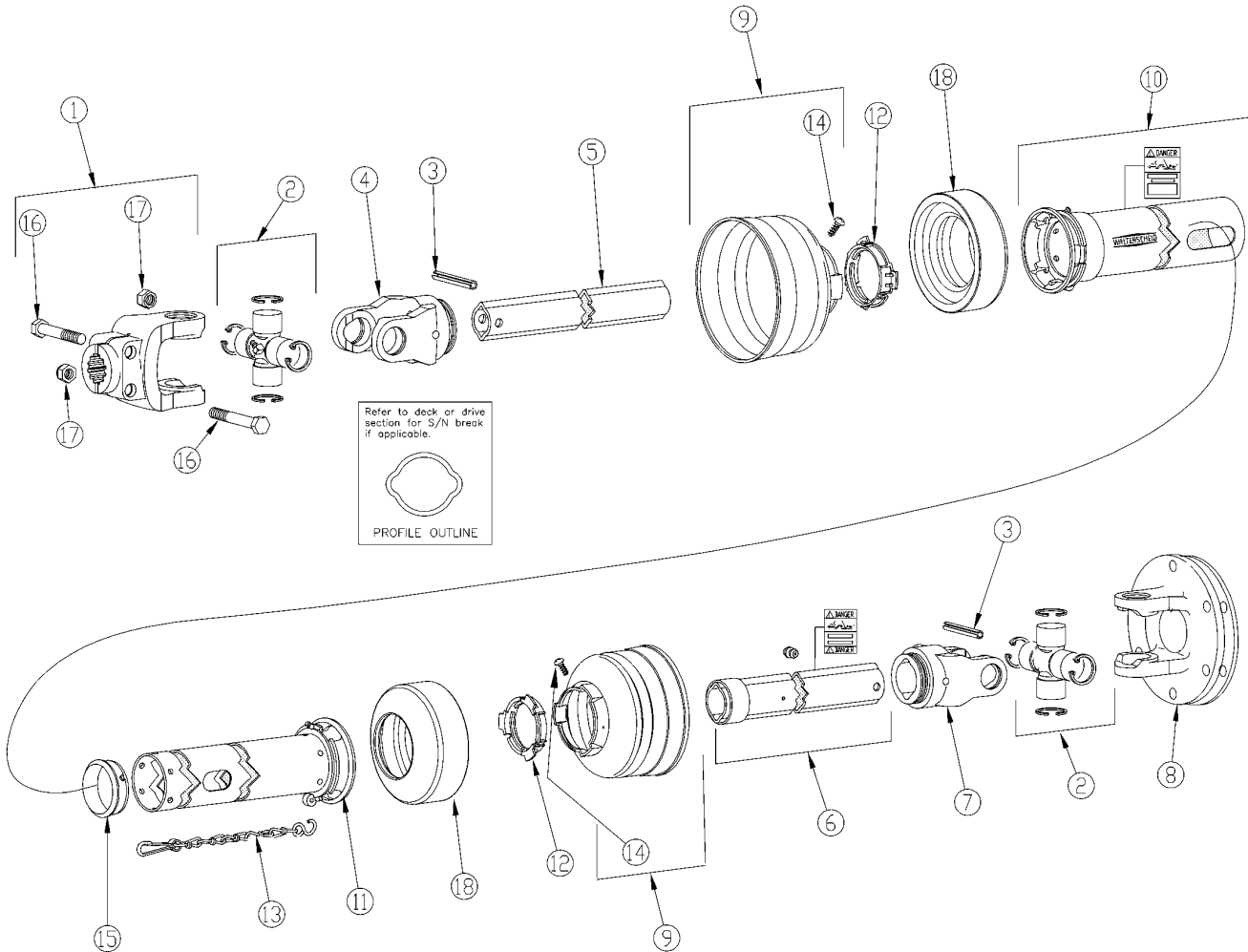


**Driveline Wing (826-185C) EC New Shielding****Applies to RCC5615**

Ref	Part No.	Part Description	Comments	Revision
	dwg23996	Drawing Image Number		
	826-185C	PTO CAT.4 W/CLUTCH 1 3/4-20 *		
1.	1786711	EC TUBE BEARING (INNER TUBE)		
2.	1215733	EC STIFFENING RING		
3.	1885702	EC SHORT CONE		
4.	1215735	EC STOP RING		
5.	1885709	EC SAFETY SLEEVE		
6.	1877901	EC INNER TUBE SHEILD		
6.	1877111	RPBY 1877901		
7.	1876901	EC OUTER TUBE SHEILD		
7.	1876111	RPBY 1876901		
8.	1885703	EC STANDARD CONE		
9.	1786710	EC TUBE BEARING (OUTER TUBE)		
10.	1446016	EC CLUTCH FD4/6 1 3/4 20 SPL		
11.	1006020	EC CROSS ASSEMBLY		
12.	1706029	EC INNER TUBE YOKE		
13.	1526121	EC 1380MM INNER TUBE		
14.	6331070	EC 10X70 ROLL PIN		
15.	1528901	EC OUTER TUBE		
15.	1528121	RPBY 1528901		
16.	6331080	EC 10X80-DIN-1481 O/TUBE R/PIN		
17.	1706027	EC OUTER TUBE YOKE		
18.	1016025	EC YOKE ASSY 1 3/4-20(TRAC.END		
19.	818-540C	DECAL DANGER GUARD MISS PTO		
20.	818-552C	DECAL DANGER PTO DRIVELINE		
21.	044321	DRIVELINE SHIELD SAFETY CHAIN		
22.	6560508	EC GREASE ZERK 8X1 45 DEG.		
23.	1006220	EC TWIST COLLAR KIT(TRACT END)		
24.	6560006	EC GREASE ZERK M6X1 STRAIGHT		
25.	1106025	EC YOKE		
26.	6761480	EC BOLT	Includes 27,28	
27.	6410114	EC SCREW NUT (M14)		
28.	6412114	EC WASHER (d14)		
29.	826-581C	SHIELD KIT, 826-185C		

# Driveline Wing (826-185C) Walterscheid

Applies to RCC5615



25920

**Driveline Wing (826-185C) Walterscheid**

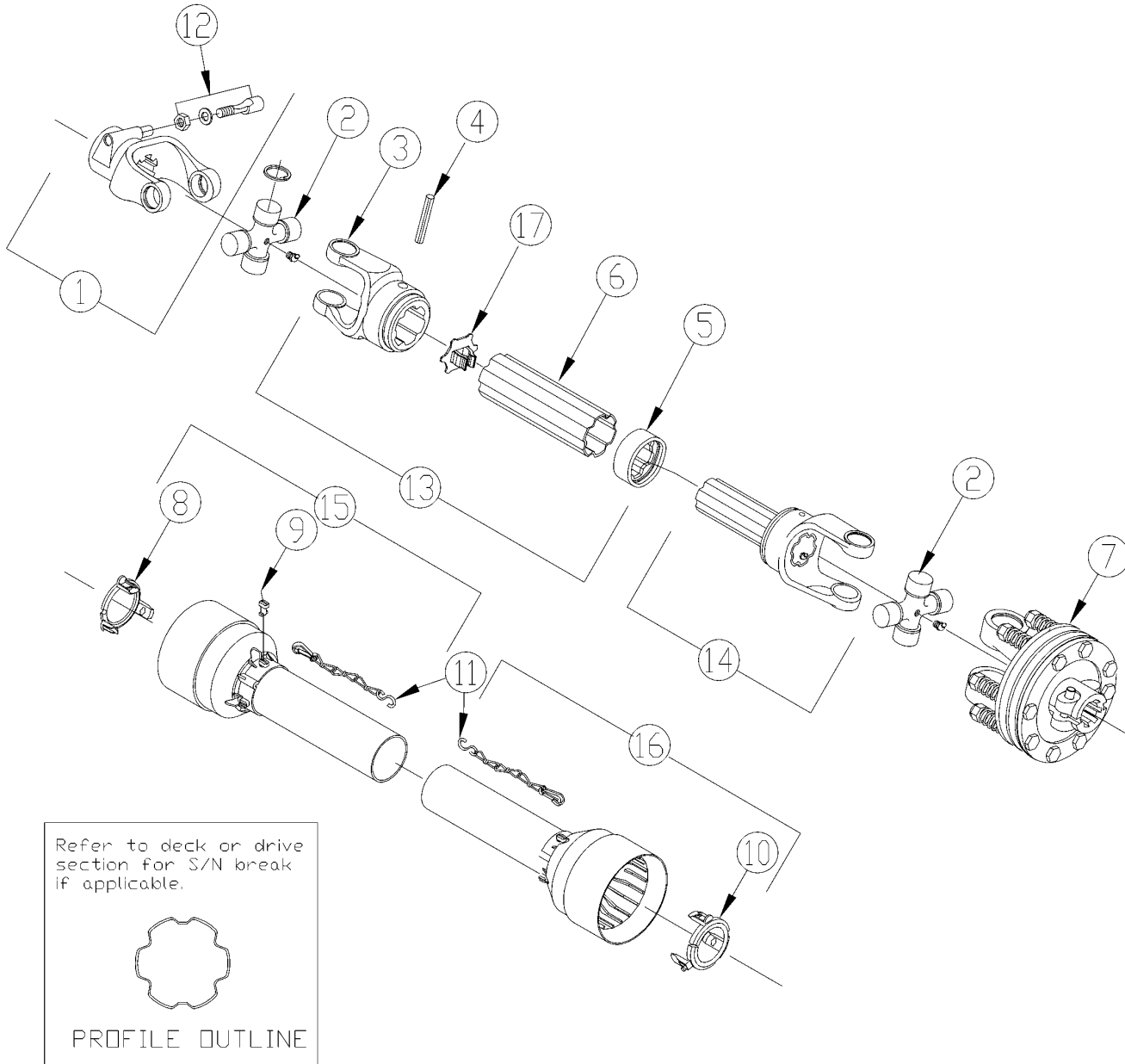
---

**Applies to RCC5615**

<b>Ref</b>	<b>Part No.</b>	<b>Part Description</b>	<b>Comments</b>	<b>Revision</b>
	dwg25920	Drawing Image Number		
	826-185C	PTO CAT.4 W/CLUTCH 1 3/4-20 *		
1.	229845X0	WS YOKE 1 3/4-20SPL I.C.		
2.	HM.243	WS CROSS & BRG KIT		
3.	020617	WS SPRING PIN 10 X 20		
4.	28133000	WS INBOARD YOKE 1B		
5.	094784	WS INNER PROFILE 1B		
6.	388415	WS PROFILE & SLEEVE W.A.		
7.	28133100	WS INBOARD YOKE 2A		
8.	229829X0	WS FRICTION CLUTCH		
9.	105083	WS SHIELD CONE		
10.	397494	WS OUT. SHIELD TUBE OBL		
11.	397495	WS INN. SHIELD TUBE RND		
12.	087276	WS BRG RING - SC25		
13.	044321	DRIVELINE SHIELD SAFETY CHAIN		
14.	365305	WS SCREW		
15.	355155	WS SUPPORT BRG		
16.	020466	WS BOLT M12 X 60 - 8.8		
17.	301.005	COSMO NUT HEX		
18.	359471	WS REINFORCING COLLAR		

# Driveline Wing (826-481C) Comer

Applies to RCC5615



23953

**Driveline Wing (826-481C) Comer**

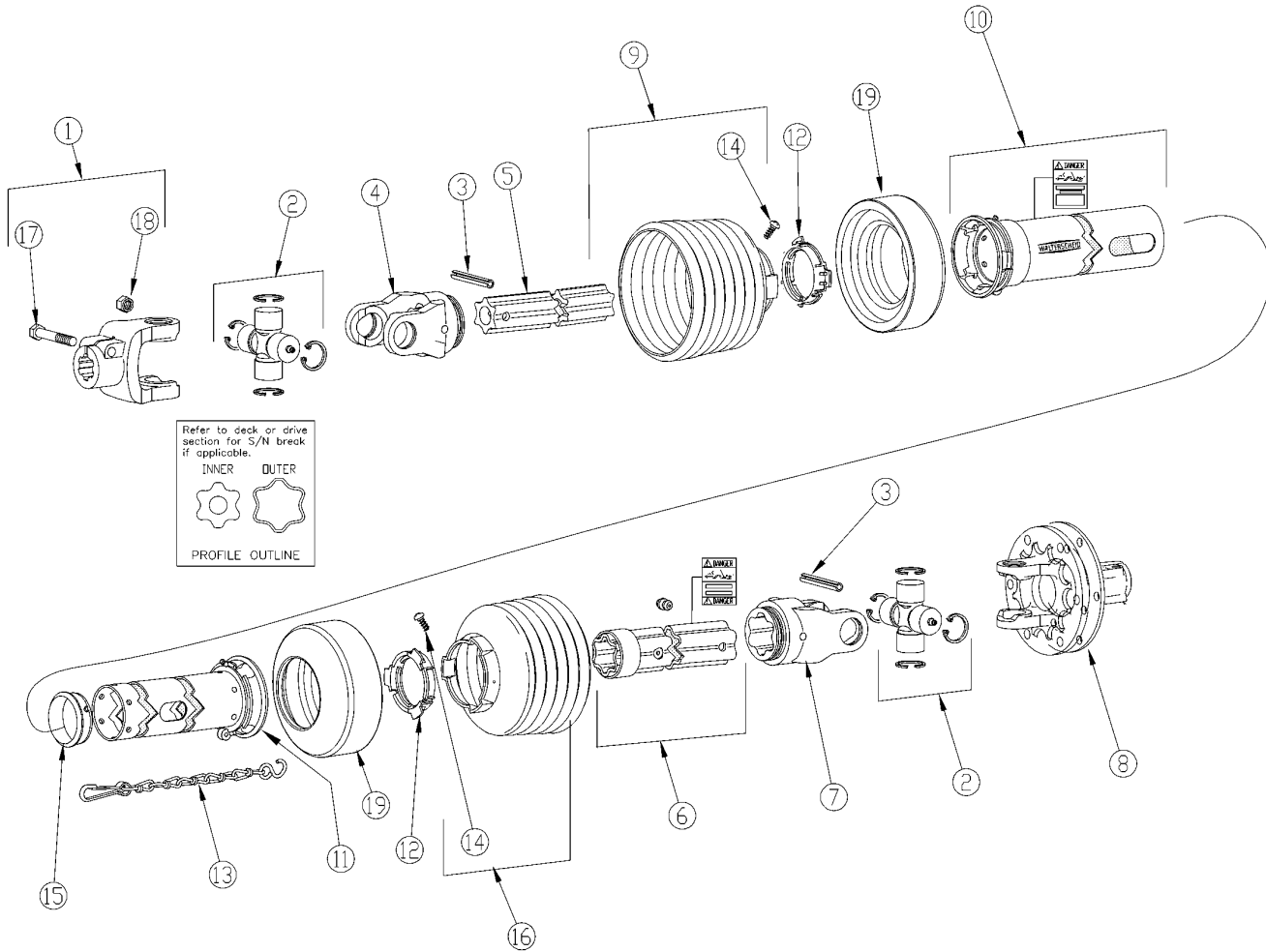
---

**Applies to RCC5615**

<b>Ref</b>	<b>Part No.</b>	<b>Part Description</b>	<b>Comments</b>	<b>Revision</b>
	dwg23953	Drawing Image Number		
	826-481C	PTO V80 X 59.3 1280NM CLUTCH *		
1.	141.028.195.1	COMER YOKE COMPLETE		
2.	180.018.004	COMER CROSS ASSEMBLY		
3.	151.018.241.1	COMER YOKE OUTER		
4.	190.000.243	COMER OUTER TUBE ROLL PIN		
5.	180.018.437	COMER WIPER		
6.	1522805450710	COMER TUBE OUTER		
7.	146.284.020.1	COMER CLUTCH, DISC COMPLETE		
8.	180.018.251	COMER RETAINING COLLER INNER		
9.	180.014.240	COMER BOLT		
10.	180.018.252	COMER RETAINING COLLER INNER		
11.	180.016.025	COMER SAFTEY CHAINS		
12.	165.000.589	COMER TAPERED PIN SET 1 3/4		
13.	122.580.023.1	COMER TUBE W/YOKE/LUBE/FEMALE		
14.	122.580.511.1	COMER TUBE W/YOKE/LUBE/MALE		
15.	1422831949821	COMER HALF FEMALE GRD W/LABEL		
16.	1422871029821	COMER HALF MALE GUARDING		
17.	180.018.393	COMER CAP OUTER TUBE, PLASTIC		

# Driveline Wing (826-481C) Walterscheid

Applies to RCC5615



25919

**Driveline Wing (826-481C) Walterscheid**

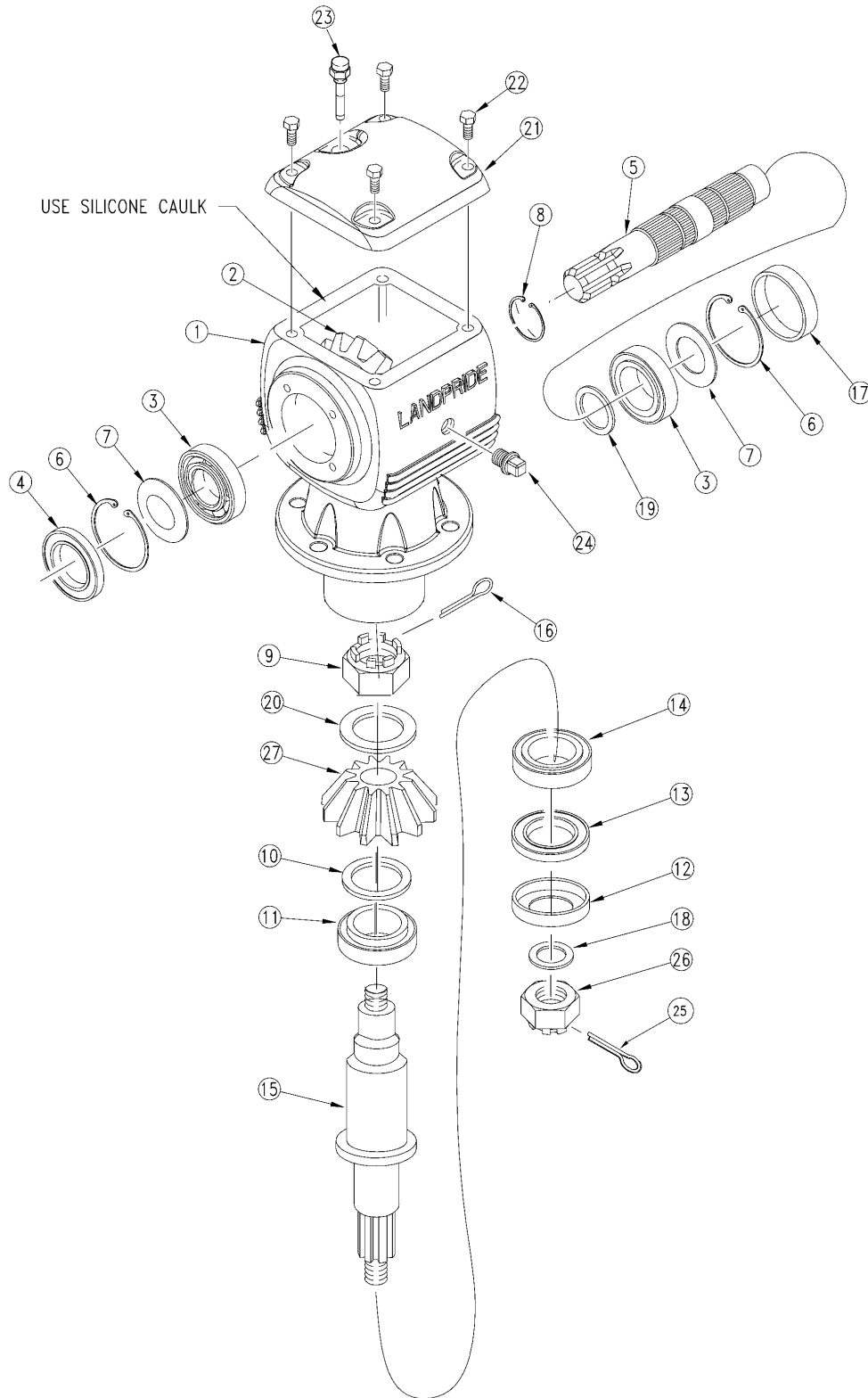
---

**Applies to RCC5615**

<b>Ref</b>	<b>Part No.</b>	<b>Part Description</b>	<b>Comments</b>	<b>Revision</b>
	dwg25919	Drawing Image Number		
	826-481C	PTO V80 X 59.3 1280NM CLUTCH *		
1.	325027	WS YOKE 1 3/4-20 SPL.I.C. 2500		
2.	312209	WS CROSS & BRG KIT 2500		
3.	304046	WS SPRING PIN 10 X 90		
4.	097133	WS INBOARD YOKE S4		
5.	323524	WS INNER PROFILE S4L		
6.	397493	WS OUTER PROFILE S5L		
7.	097140	WS INBOARD YOKE S5		
8.	395980	WS FRICTION CLUTCH		
9.	377437	WS SHIELD CONE 7 RIB		
10.	394874	WS OUT SHIELD TUBE OVL		
11.	387767	WS INNER SHIELD TUBE RND		
12.	087276	WS BRG RING - SC25		
13.	044321	DRIVELINE SHIELD SAFETY CHAIN		
14.	365305	WS SCREW		
15.	396295	WS SUPPORT BEARING		
16.	377436	WS SHIELD CONE - 6 RIB		
17.	702352	WS HEX BOLT M16 X 90 GR 8.8		
18.	304011	WS LOCK NUT M16		
19.	359474	WS REINFORCING COLLAR		

# Gearbox 1000 RPM (826-317C)

Applies to RCCM5615



21167

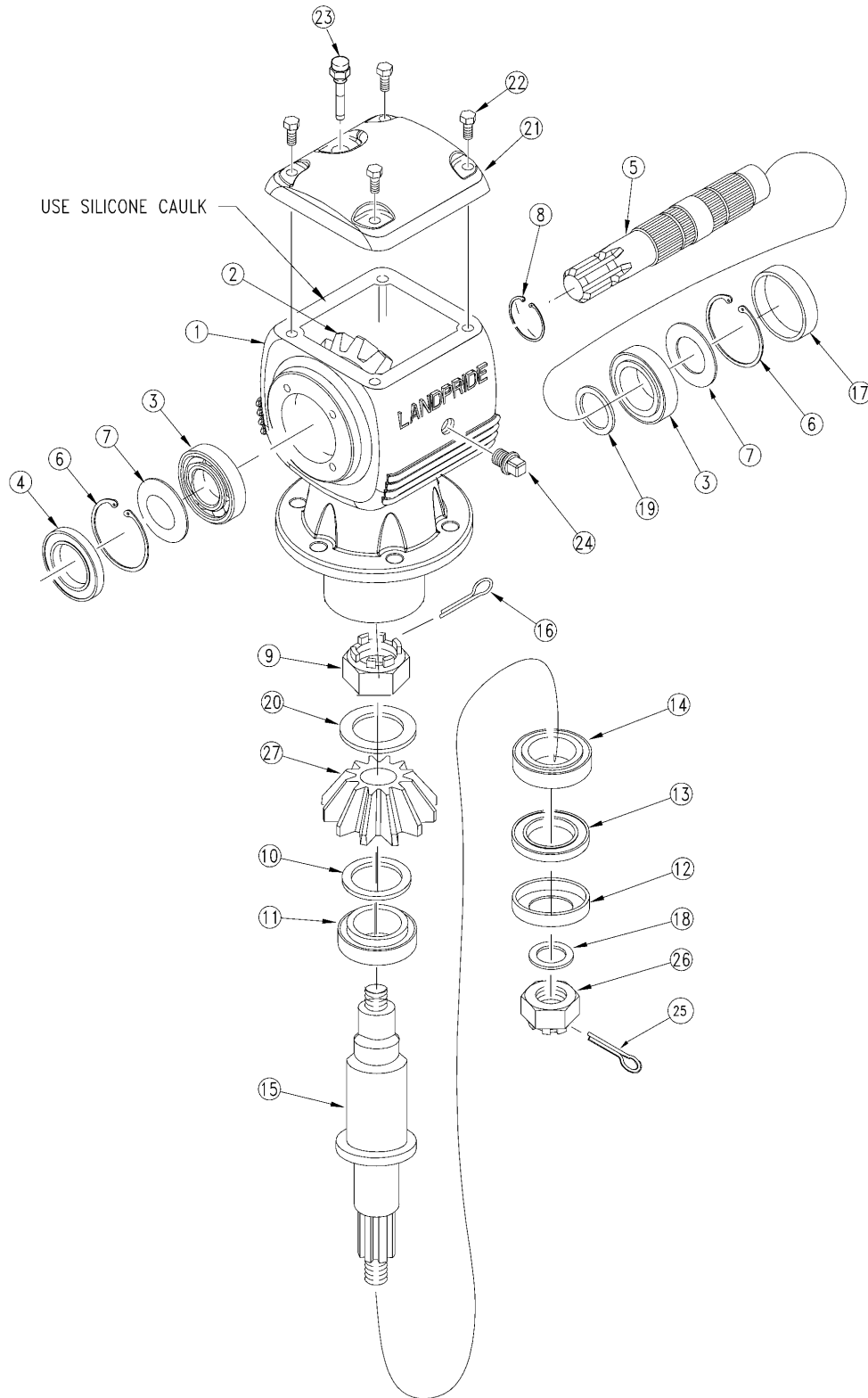


**Gearbox 1000 RPM (826-317C)****Applies to RCCM5615**

Ref	Part No.	Part Description	Comments	Revision
	dwg21167	Drawing Image Number		
	826-317C	GBOX RCM50 1.75-20 1:1.21 CCW *	L. H. Deck	
1.	U0.125.0531.00	CO HOUSING		
2.	U0.125.5003.00	CO CROWN GEAR Z22 M7.8		
3.	8.0.9.00143	CO BEARING 30209 RTA25		
4.	8.7.3.00331	CO OIL SEAL 45 X 85 X 10		
5.	U0.125.2050.00	CO INPUT SHAFT 1 3/4"-20		
6.	8.5.2.00332	CO SNAP RING UNI 7437		
7.	0.709.7500.00	CO SHIM 84.7		
8.	8.5.1.00533	CO SNAP RING 50 UNI7435		
9.	U0.125.7100.00	CO CASTLE NUT		
10.	0.712.7500.00	CO SHIM 50.3X70.3		
11.	8.0.9.01090	CO BEARING 32210		
12.	1.181.7101.00	CO SEAL PROTECTOR		
13.	8.7.1.02349	CO OIL SEAL 60X110X12		
14.	8.0.9.00079	CO BEARING 30212		
15.	U0.125.3002.00	CO OUTPUT SHAFT		
16.	8.4.7.02265	CO COTTER PIN B 5X60		
17.	0.121.7101.00	CO CAP		
18.	0.288.7101.00	CO BLANK WASHER		
19.	0.252.7525.00	CO SHIM 45.3X2.5		
20.	0.285.7510.00	CO SHIM 40.3 X 61.7 X 1		
21.	U0.125.1301.00	CO COVER		
22.	8.1.1.00501	CO BOLT M8X22 HHB		
23.	826-486C	COMER U0.125.7003.00 OIL PLUG		
24.	8.6.5.00006	CO OIL PLUG 3/8		
25.	8.4.7.01045	CO COTTER PIN B6X70 SLD-SPRTLY		
26.	8.2.2.00560	CO CASTLE NUT M36X3		
27.	U0.125.6003.00	CO CROWN GEAR Z18 M7.8		

# Gearbox 1000 RPM (826-318C)

Applies to RCCM5615



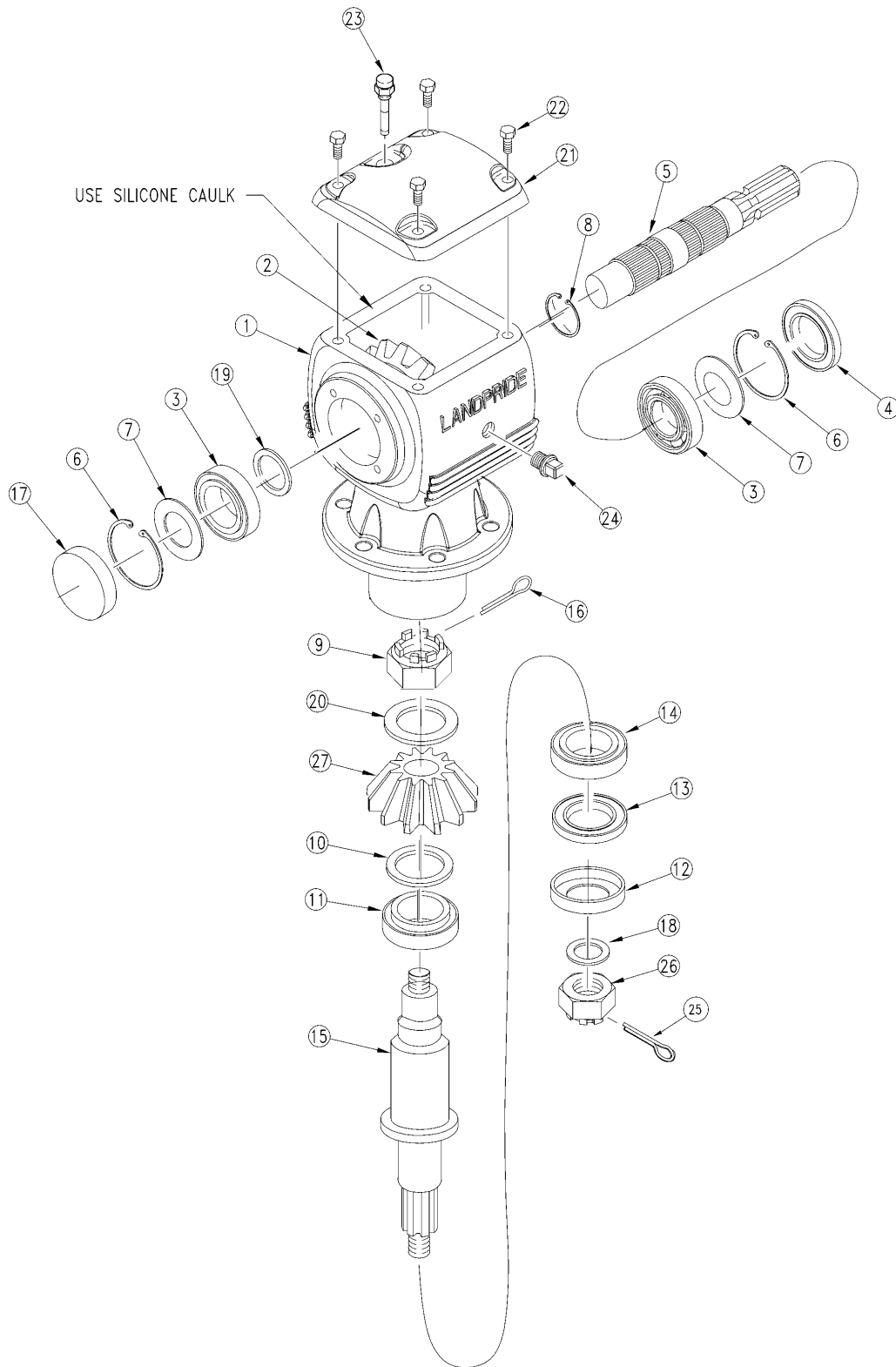
21167

**Gearbox 1000 RPM (826-318C)****Applies to RCCM5615**

Ref	Part No.	Part Description	Comments	Revision
	dwg21167	Drawing Image Number		
	826-318C	GBOX RCM50 1.75-20 1.21:1 CCW *	Center Deck	
1.	U0.125.0531.00	CO HOUSING		
2.	U0.125.6003.00	CO CROWN GEAR Z18 M7.8		
3.	8.0.9.00143	CO BEARING 30209 RTA25		
4.	8.7.3.00331	CO OIL SEAL 45 X 85 X 10		
5.	U0.125.2050.00	CO INPUT SHAFT 1 3/4"-20		
6.	8.5.2.00332	CO SNAP RING UNI 7437		
7.	0.709.7500.00	CO SHIM 84.7		
8.	8.5.1.00533	CO SNAP RING 50 UNI7435		
9.	U0.125.7100.00	CO CASTLE NUT		
10.	0.712.7500.00	CO SHIM 50.3X70.3		
11.	8.0.9.01090	CO BEARING 32210		
12.	1.181.7101.00	CO SEAL PROTECTOR		
13.	8.7.1.02349	CO OIL SEAL 60X110X12		
14.	8.0.9.00079	CO BEARING 30212		
15.	U0.125.3002.00	CO OUTPUT SHAFT		
16.	8.4.7.02265	CO COTTER PIN B 5X60		
17.	0.121.7101.00	CO CAP		
18.	0.288.7101.00	CO BLANK WASHER		
19.	0.252.7525.00	CO SHIM 45.3X2.5		
20.	0.285.7510.00	CO SHIM 40.3 X 61.7 X 1		
21.	U0.125.1301.00	CO COVER		
22.	8.1.1.00501	CO BOLT M8X22 HHB		
23.	826-486C	COMER U0.125.7003.00 OIL PLUG		
24.	8.6.5.00006	CO OIL PLUG 3/8		
25.	8.4.7.01045	CO COTTER PIN B6X70 SLD-SPRTLY		
26.	8.2.2.00560	CO CASTLE NUT M36X3		
27.	U0.125.5003.00	CO CROWN GEAR Z22 M7.8		

# Gearbox 1000 RPM (826-319C)

Applies to RCCM5615



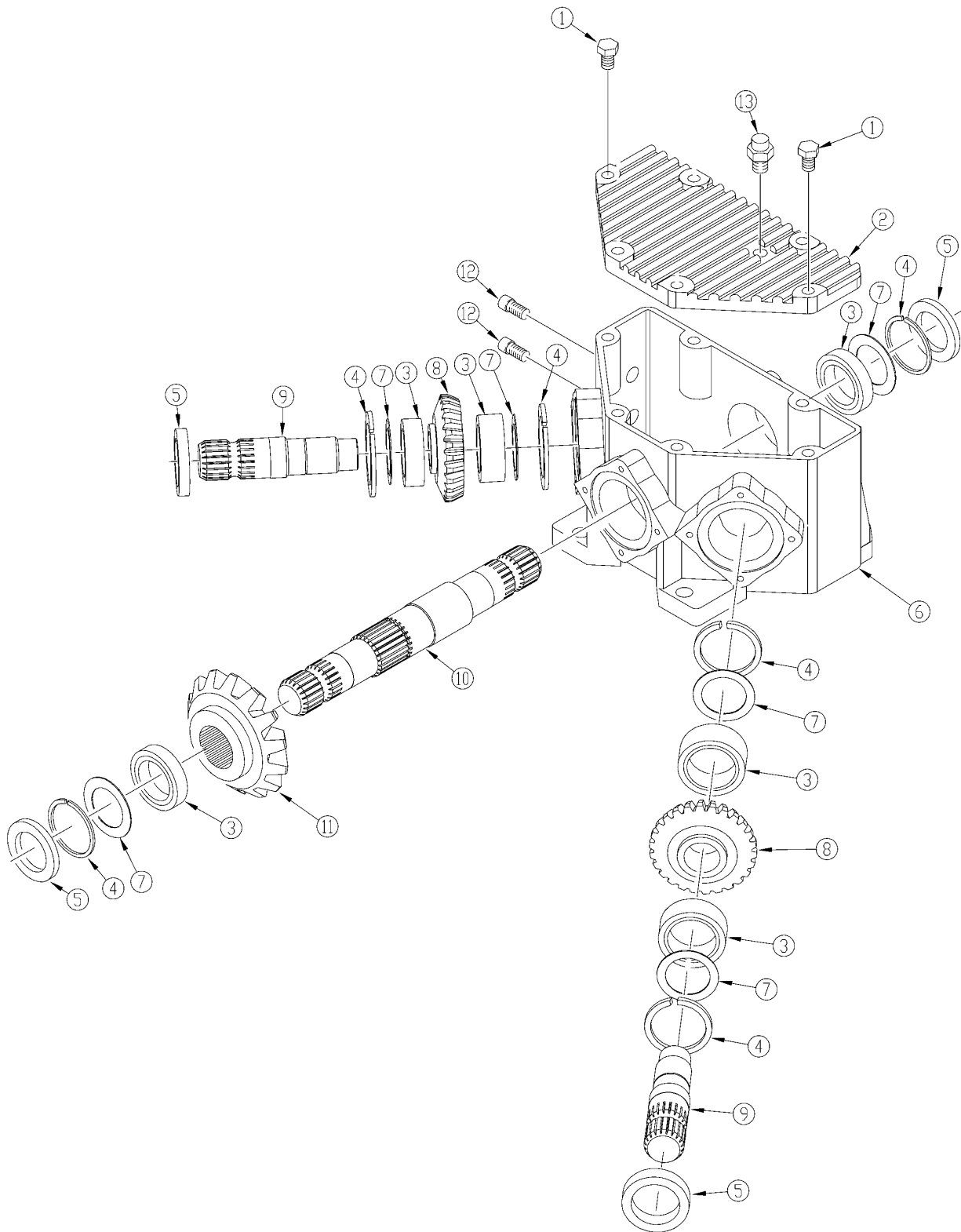
21171

**Gearbox 1000 RPM (826-319C)****Applies to RCCM5615**

Ref	Part No.	Part Description	Comments	Revision
	dwg21171	Drawing Image Number		
	826-319C	GBOX RCM50 1.75-20 1:1.21 CW *	R. H. Deck	
1.	U0.125.0531.00	CO HOUSING		
2.	U0.125.5003.00	CO CROWN GEAR Z22 M7.8		
3.	8.0.9.00143	CO BEARING 30209 RTA25		
4.	8.7.3.00331	CO OIL SEAL 45 X 85 X 10		
5.	U0.125.2050.00	CO INPUT SHAFT 1 3/4"-20		
6.	8.5.2.00332	CO SNAP RING UNI 7437		
7.	0.709.7500.00	CO SHIM 84.7		
8.	8.5.1.00533	CO SNAP RING 50 UNI7435		
9.	U0.125.7100.00	CO CASTLE NUT		
10.	0.712.7500.00	CO SHIM 50.3X70.3		
11.	8.0.9.01090	CO BEARING 32210		
12.	1.181.7101.00	CO SEAL PROTECTOR		
13.	8.7.1.02349	CO OIL SEAL 60X110X12		
14.	8.0.9.00079	CO BEARING 30212		
15.	U0.125.3002.00	CO OUTPUT SHAFT		
16.	8.4.7.02265	CO COTTER PIN B 5X60		
17.	0.121.7101.00	CO CAP		
18.	0.288.7101.00	CO BLANK WASHER		
19.	0.252.7525.00	CO SHIM 45.3X2.5		
20.	0.285.7510.00	CO SHIM 40.3 X 61.7 X 1		
21.	U0.125.1301.00	CO COVER		
22.	8.1.1.00501	CO BOLT M8X22 HHB		
23.	826-486C	COMER U0.125.7003.00 OIL PLUG		
24.	8.6.5.00006	CO OIL PLUG 3/8		
25.	8.4.7.01045	CO COTTER PIN B6X70 SLD-SPRTLY		
26.	8.2.2.00560	CO CASTLE NUT M36X3		
27.	U0.125.6003.00	CO CROWN GEAR Z18 M7.8		

# Gearbox Divider 1000 RPM (826-521C) Comer

Applies to RCCM5615



26960

**Gearbox Divider 1000 RPM (826-521C) Comer**

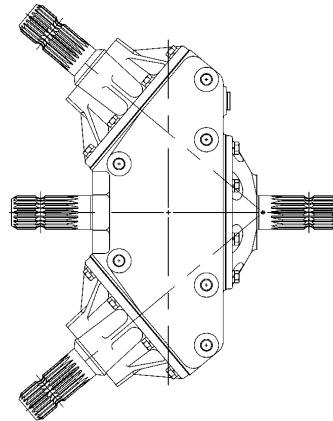
---

**Applies to RCCM5615**

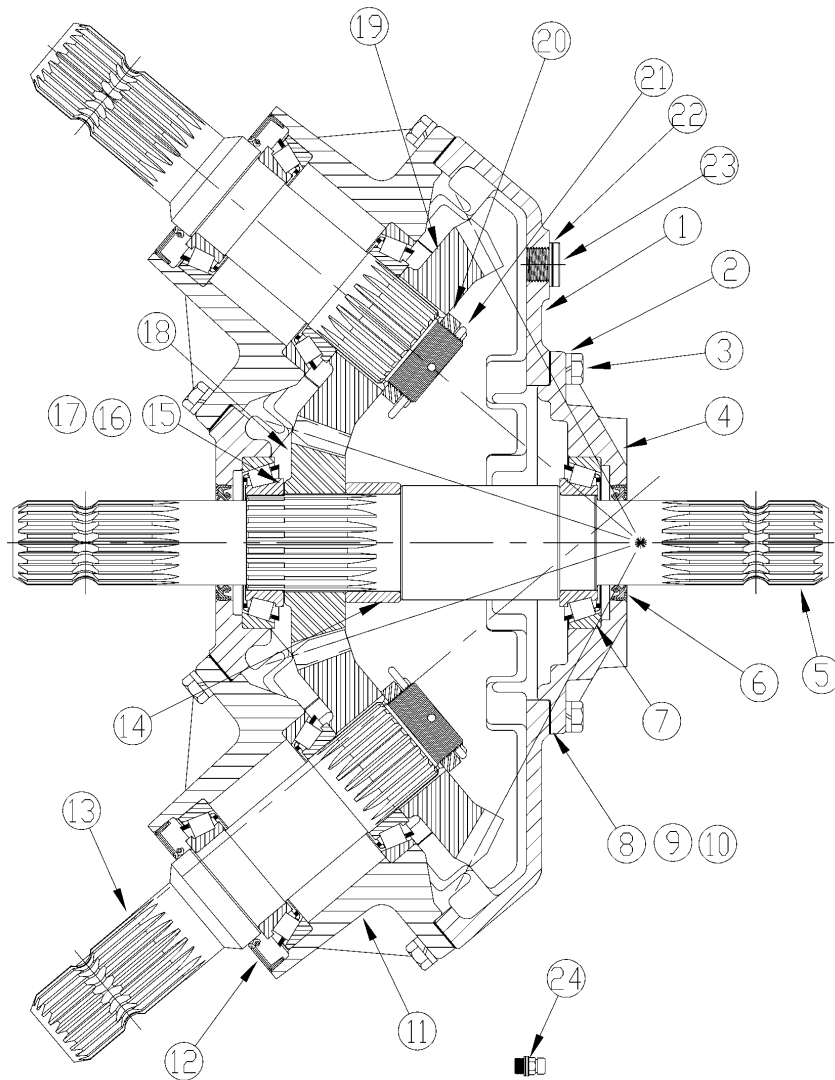
<b>Ref</b>	<b>Part No.</b>	<b>Part Description</b>	<b>Comments</b>	<b>Revision</b>
	dwg26960	Drawing Image Number		
	826-521C	DIV BOX COMER 1000RPM 1 3/4-20 *		
1.	8.1.1.00109	CO BOLT M10 X 35 8.8		
2.	0.305.1300.00	TOP COVER PLATE		
3.	8.0.9.00143	CO BEARING 30209 RTA25		
4.	8.5.2.01772	CO SNAP RING		
5.	8.7.3.00331	CO OIL SEAL 45 X 85 X 10		
6.	0.305.0300.01	CO CASING		
7.	0.709.7500.00	CO SHIM 84.7		
8.	0.305.5001.00	CO GEAR M6.5 Z24		
9.	0.305.3000.00	CO SHAFT 1" 3/4 Z20		
10.	0.305.2000.00	CO SHAFT 1" 3/4 Z20		
11.	0.305.6000.00	CO GEAR M6.5 Z20		
12.	8.6.6.00201	CO PLUG 3/8 GAS		
13.	8.6.7.00269	CO 1/2" GAS BREATHER PLUG		

# Gearbox Divider 1000 RPM (826-521C) ITG

Applies to RCCM5615



VISUAL AID FOR PARTS



25682

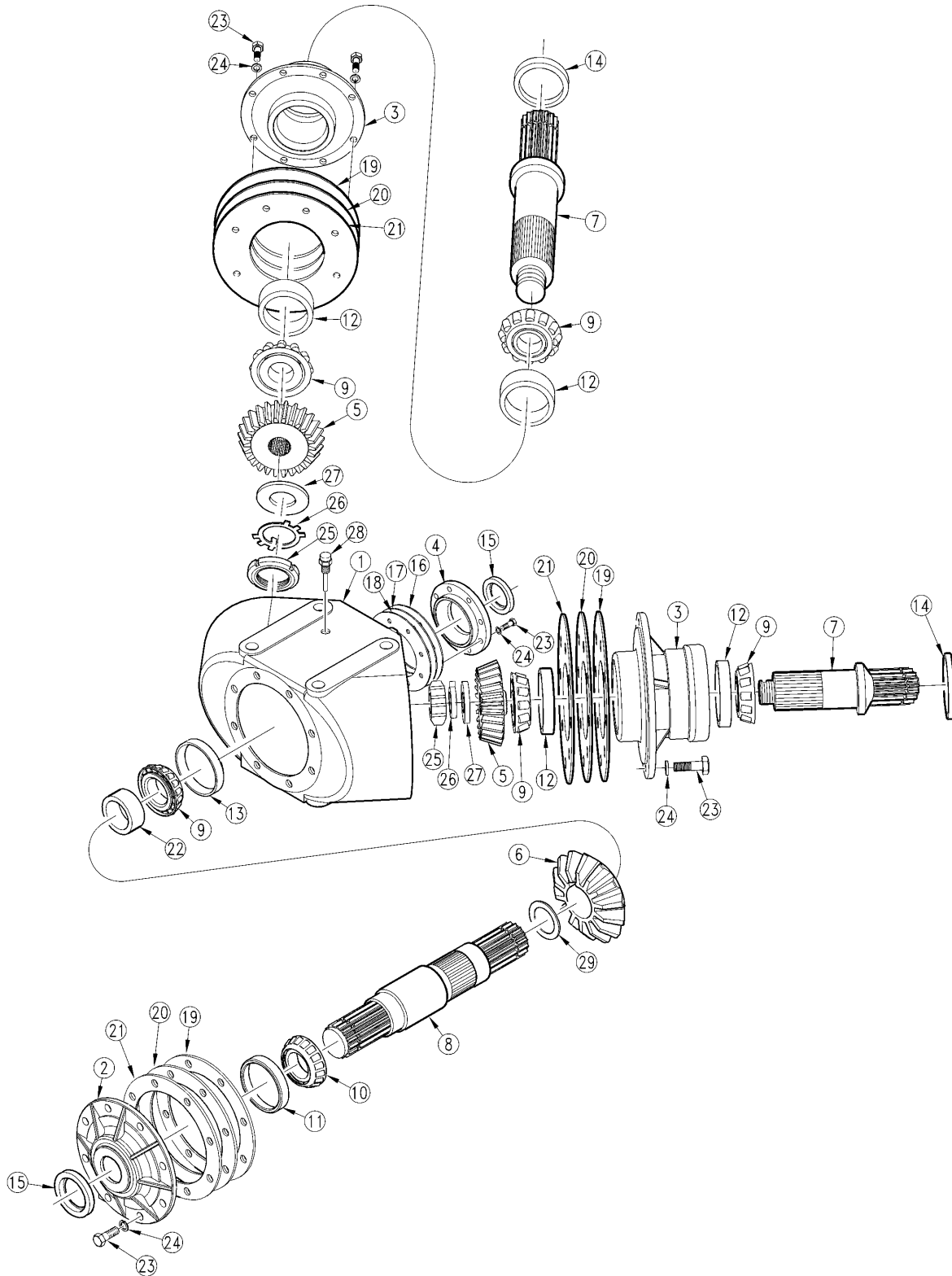


**Gearbox Divider 1000 RPM (826-521C) ITG****Applies to RCCM5615**

<b>Ref</b>	<b>Part No.</b>	<b>Part Description</b>	<b>Comments</b>	<b>Revision</b>
	dwg25682	Drawing Image Number		
	826-521C	DIV BOX 1000RPM 1 3/4-20 *		
1.	18-059	ITG HOUSING		
2.	804-158C	WASHER SPRING LOCK M10 PLT		
3.	06-003	ITG M10 X 1.5 X 30 CAP SCREW		
4.	20-019	ITG INPUT CAP SPLITTER BOX		
5.	02-038	ITG INPUT SHAFT		
6.	05-007	ITG INPUT SHAFT OIL SEAL		
7.	04-011	ITG BRG ASSEMBLY		
8.	08-006	ITG INPUT CAP GASKET 0.10MM		
9.	08-007	ITG INPUT CAP GASKET 0.25MM		
10.	08-008	ITG IN & OUT CAP GASKET 0.45MM		
11.	20-018	ITG HORIZONTAL HUB CAP		
12.	05-012B	ITG OUTPUT SEAL 58X95X10 THK		
13.	02-039	ITG OUTPUT SHAFT		
14.	10-001	ITG SPACER		
15.	17-002	ITG SHIM 0.3		
16.	17-001	ITG SHIM 0.4		
17.	17-003	ITG SHIM 0.5		
18.	03-126	19 TOOTH GEAR		
19.	03-127	ITG 23 TOOTH GEAR		
20.	11-012	ITG BRG ADJ. NUT		
21.	12-008	ITG COTTER PIN		
22.	07-022	ITG SEALING WASHER		
23.	09-013	ITG DRAIN PLUG		
24.	09-011	ITG M18 X 1.5P PLUG VENTED		

# Gearbox Divider 1000 RPM (826-521C) Omni

Applies to RCCM5615



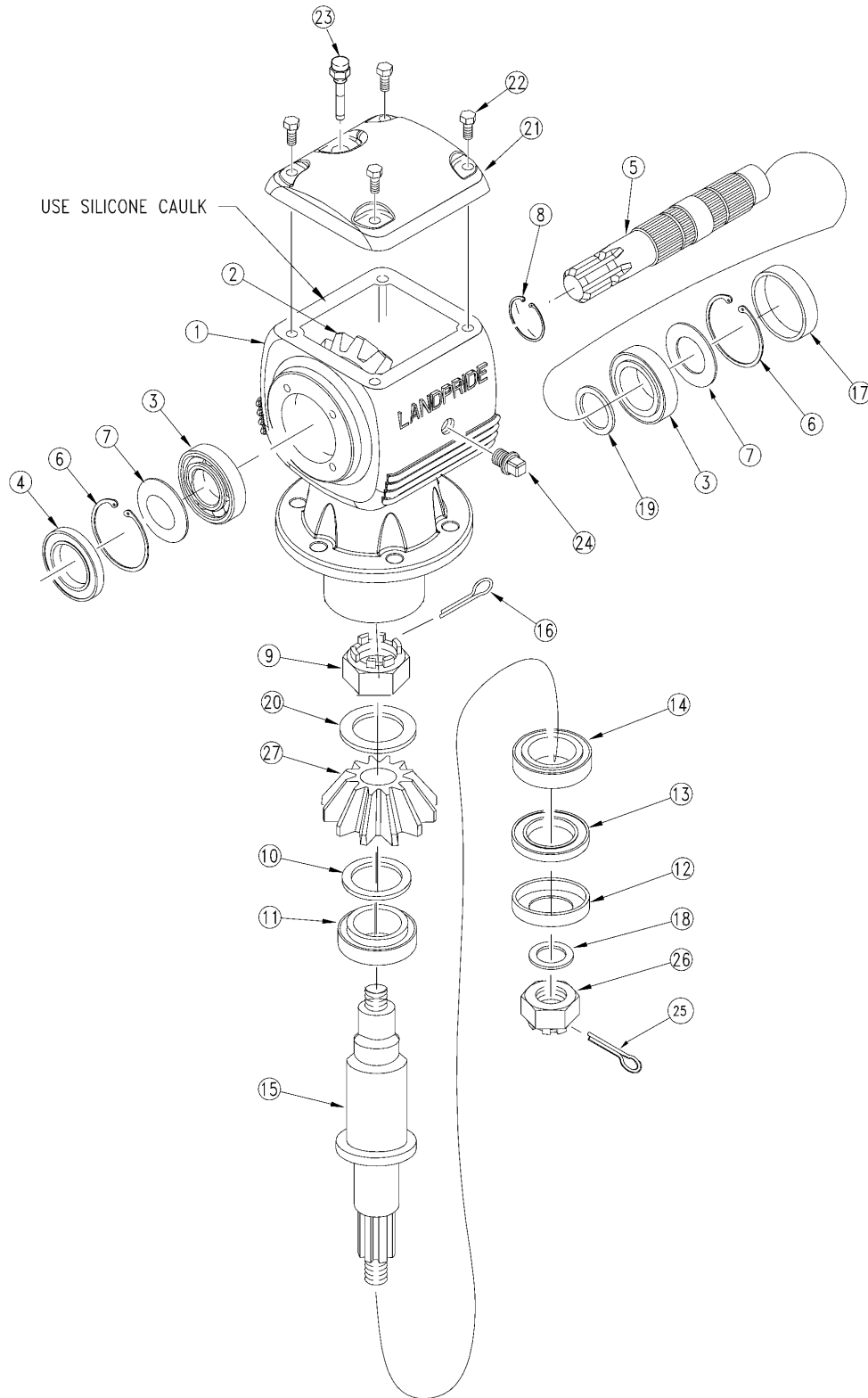
26707

**Gearbox Divider 1000 RPM (826-521C) Omni****Applies to RCCM5615**

Ref	Part No.	Part Description	Comments	Revision
	dwg26707	Drawing Image Number		
1.	010063	OMNI HOUSING RCD101HD		
2.	020162	OMNI INPUT CAP		
3.	020061	OMNI CANTILEVERED OUTPUT CAP		
4.	020110	OMNI OUTPUT CAP		
5.	030194	OMNI GEAR, 26T		
6.	030193	OMNI PINION, 20T		
7.	040121	OMNI OUTPUT SHAFT,1.75-20SHORT		
8.	040124	OMNI INPUT SHAFT, 1.75-20 LONG		
9.	050008	OMNI BRG CONE - 368		
10.	050012	OMNI BRG CONE -LM603049		
11.	050013	OMNI BRG CUP - LM 603014		
12.	050014	BRG CUP - 362A, OMNI		
13.	050015	BRG CUP - 362, OMNI		
14.	060020	OMNI OUTPUT SEAL		
15.	060051	OMNI THRU SHAFT SEAL		
16.	070057	OMNI GASKET, 0.30MM		
17.	070058	OMNI GASKET, 0.15MM		
18.	070151	OMNI INPUT GASKET, 0.10MM		
19.	070140	OMNI GASKET 0.30MM		
20.	070141	OMNI GASKET 0.15MM		
21.	070142	OMNI GASKET 0.10MM		
22.	090003	SPACER, OMNI		
23.	802-079C	HHCS 3/8-16X1 1/4 GR5		
24.	804-013C	WASHER LOCK SPRING 3/8 PLT		
25.	120025	OMNI LOCKNUT, TN-06		
26.	130030	OMNI LOCKWASHER, TW-06		
27.	130021	OMNI FLAT WASHER		
28.	140046	OMNI LEVEL PLUG 1/2-14NPT,PRW		
29.	200003	OMNI RETAINING RING		

# Gearbox 540 RPM (826-315C)

Applies to RCC5615

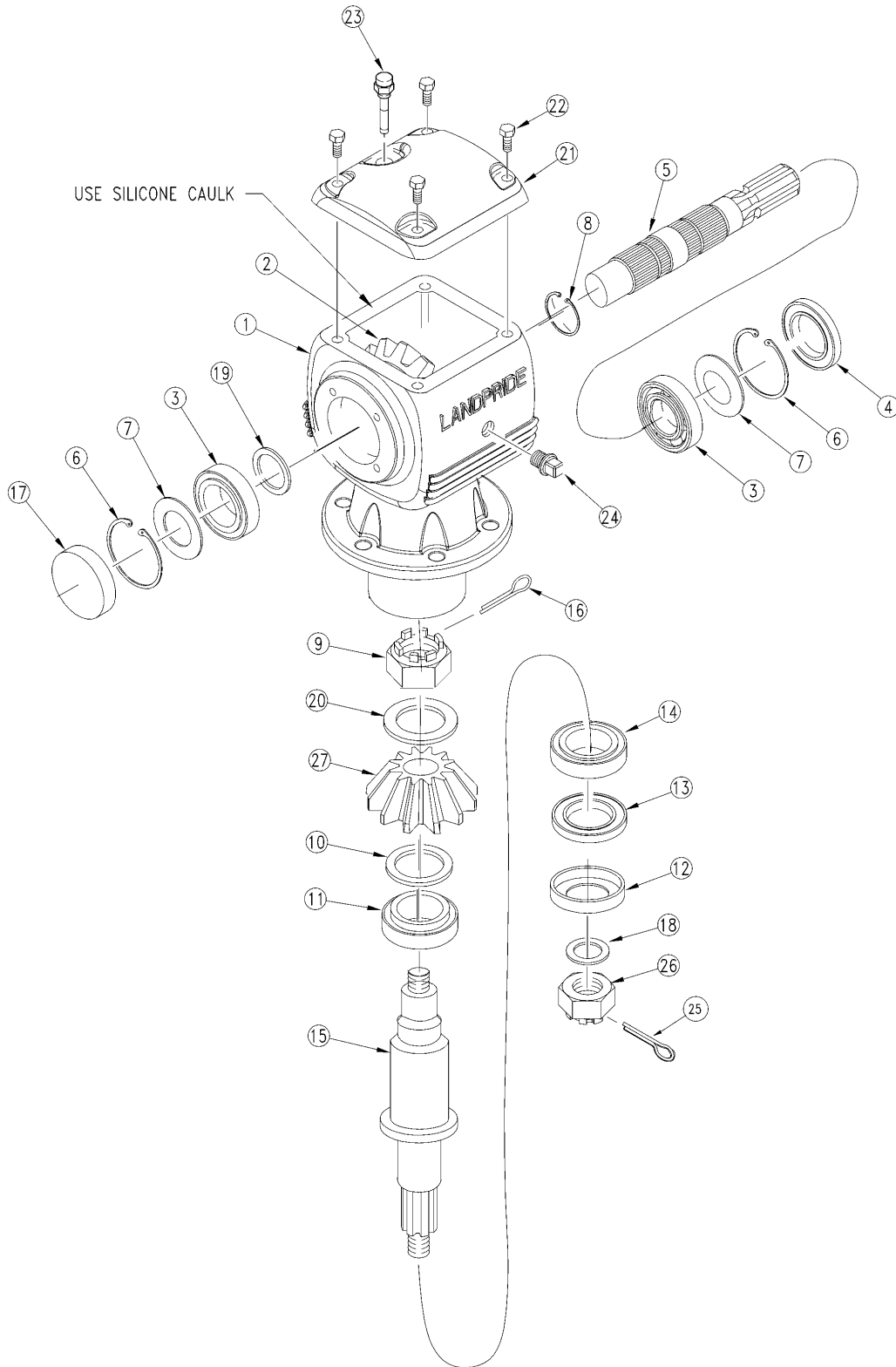


**Gearbox 540 RPM (826-315C)****Applies to RCC5615**

Ref	Part No.	Part Description	Comments	Revision
	dwg21167	Drawing Image Number		
	826-315C	GBOX RC50 1.75-20 1:1.46 CCW *	Center & L. H. Deck	
1.	U0.125.0531.00	CO HOUSING		
2.	U0.125.5005.00	CO CROWN GEAR Z22 M8		
3.	8.0.9.00143	CO BEARING 30209 RTA25		
4.	8.7.3.00331	CO OIL SEAL 45 X 85 X 10		
5.	U0.125.2050.00	CO INPUT SHAFT 1 3/4"-20		
6.	8.5.2.00332	CO SNAP RING UNI 7437		
7.	0.709.7500.00	CO SHIM 84.7		
8.	8.5.1.00533	CO SNAP RING 50 UNI7435		
9.	U0.125.7100.00	CO CASTLE NUT		
10.	0.712.7500.00	CO SHIM 50.3X70.3		
11.	8.0.9.01090	CO BEARING 32210		
12.	1.181.7101.00	CO SEAL PROTECTOR		
13.	8.7.1.02349	CO OIL SEAL 60X110X12		
14.	8.0.9.00079	CO BEARING 30212		
15.	U0.125.3002.00	CO OUTPUT SHAFT		
16.	8.4.7.02265	CO COTTER PIN B 5X60		
17.	0.121.7101.00	CO CAP		
18.	0.288.7101.00	CO BLANK WASHER		
19.	0.252.7525.00	CO SHIM 45.3X2.5		
20.	0.285.7510.00	CO SHIM 40.3 X 61.7 X 1		
21.	U0.125.1301.00	CO COVER		
22.	8.1.1.00501	CO BOLT M8X22 HHB		
23.	826-486C	COMER U0.125.7003.00 OIL PLUG		
24.	8.6.5.00006	CO OIL PLUG 3/8		
25.	8.4.7.01045	CO COTTER PIN B6X70 SLD-SPRTLY		
26.	8.2.2.00560	CO CASTLE NUT M36X3		
27.	U0.125.6004.00	CO CROWN GEAR Z15 M8		

# Gearbox 540 RPM (826-316C)

Applies to RCC5615



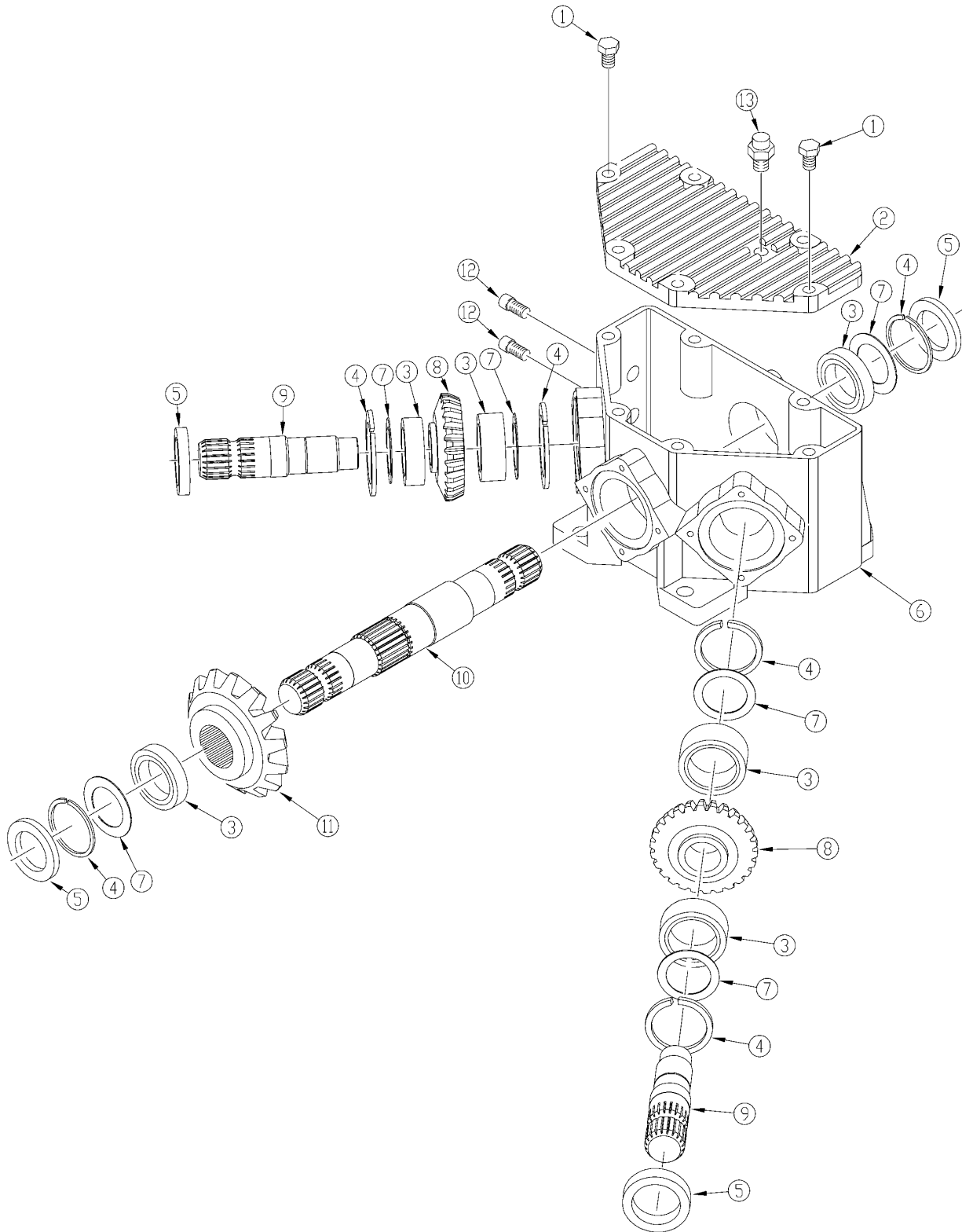
21171

**Gearbox 540 RPM (826-316C)****Applies to RCC5615**

Ref	Part No.	Part Description	Comments	Revision
	dwg21771	Drawing Image Number		
	826-316C	GBOX RC50 1.75-20 1:1.46 CW *	R. H. Deck	
1.	U0.125.0531.00	CO HOUSING		
2.	U0.125.5005.00	CO CROWN GEAR Z22 M8		
3.	8.0.9.00143	CO BEARING 30209 RTA25		
4.	8.7.3.00331	CO OIL SEAL 45 X 85 X 10		
5.	U0.125.2050.00	CO INPUT SHAFT 1 3/4"-20		
6.	8.5.2.00332	CO SNAP RING UNI 7437		
7.	0.709.7500.00	CO SHIM 84.7		
8.	8.5.1.00533	CO SNAP RING 50 UNI7435		
9.	U0.125.7100.00	CO CASTLE NUT		
10.	0.712.7500.00	CO SHIM 50.3X70.3		
11.	8.0.9.01090	CO BEARING 32210		
12.	1.181.7101.00	CO SEAL PROTECTOR		
13.	8.7.1.02349	CO OIL SEAL 60X110X12		
14.	8.0.9.00079	CO BEARING 30212		
15.	U0.125.3002.00	CO OUTPUT SHAFT		
16.	8.4.7.02265	CO COTTER PIN B 5X60		
17.	0.121.7101.00	CO CAP		
18.	0.288.7101.00	CO BLANK WASHER		
19.	0.252.7525.00	CO SHIM 45.3X2.5		
20.	0.285.7510.00	CO SHIM 40.3 X 61.7 X 1		
21.	U0.125.1301.00	CO COVER		
22.	8.1.1.00501	CO BOLT M8X22 HHB		
23.	826-486C	COMER U0.125.7003.00 OIL PLUG		
24.	8.6.5.00006	CO OIL PLUG 3/8		
25.	8.4.7.01045	CO COTTER PIN B6X70 SLD-SPRTLY		
26.	8.2.2.00560	CO CASTLE NUT M36X3		
27.	U0.125.6004.00	CO CROWN GEAR Z15 M8		

# Gearbox Divider 540 RPM (826-520C) Comer

Applies to RCC5615



26959



**Gearbox Divider 540 RPM (826-520C) Comer**

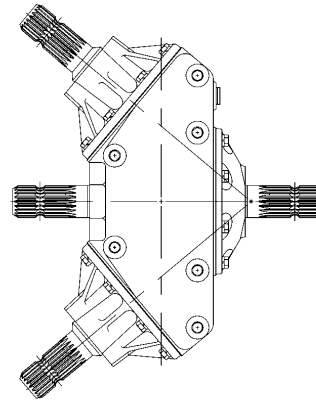
---

**Applies to RCC5615**

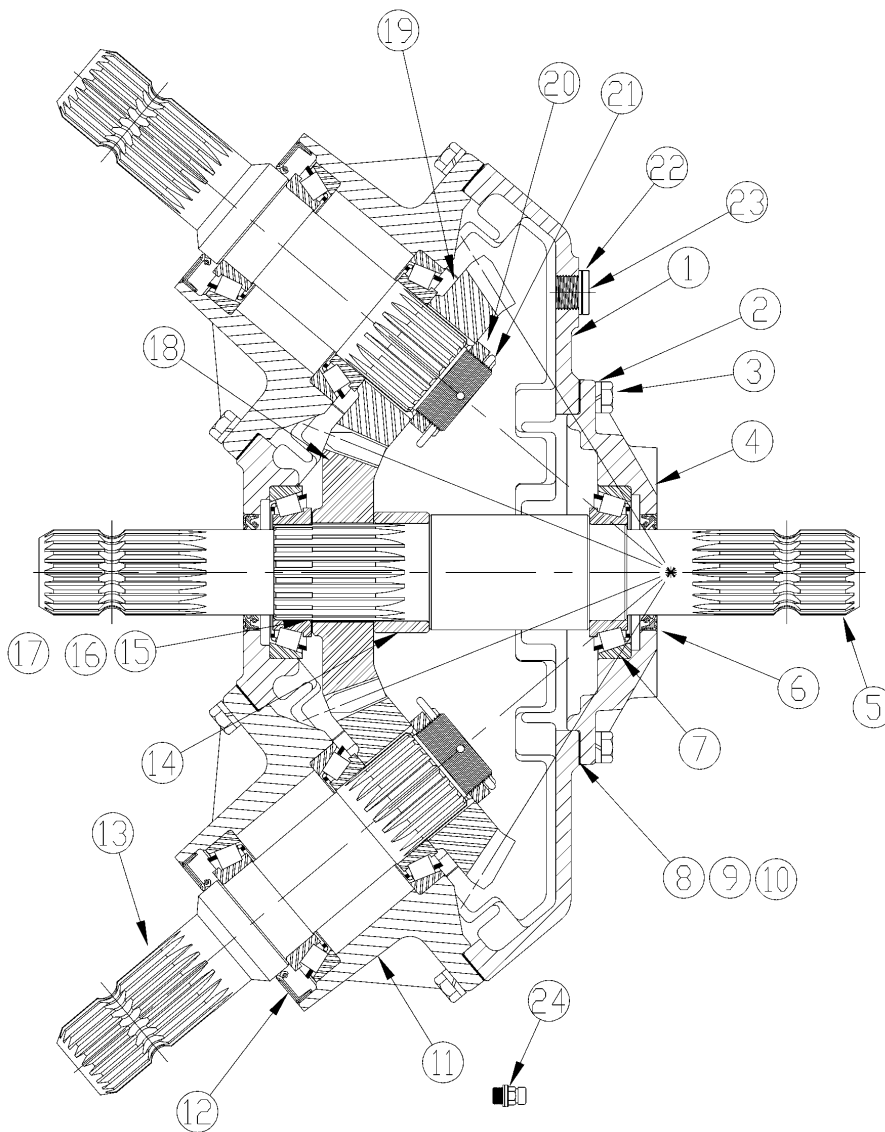
Ref	Part No.	Part Description	Comments	Revision
	dwg26959	Drawing Image Number		
	826-520C	DIV BOX COMER 540RPM 1 3/4-20 *		
1.	8.1.1.00109	CO BOLT M10 X 35 8.8		
2.	0.305.1300.00	TOP COVER PLATE		
3.	8.0.9.00143	CO BEARING 30209 RTA25		
4.	8.5.2.01772	CO SNAP RING		
5.	8.7.3.00331	CO OIL SEAL 45 X 85 X 10		
6.	0.305.0300.01	CO CASING		
7.	A.709.500	COMER SHIM KIT		
8.	0.305.6000.00	CO GEAR M6.5 Z20		
9.	0.305.3000.00	CO SHAFT 1" 3/4 Z20		
10.	0.305.2000.00	CO SHAFT 1" 3/4 Z20		
11.	0.305.5001.00	CO GEAR M6.5 Z24		
12.	8.6.6.00201	CO PLUG 3/8 GAS		
13.	826-497C	COMER VENT #8.6.7.00269		

# Gearbox Divider 540 RPM (826-520C) ITG

Applies to RCC5615



VISUAL AID FOR PARTS



25681

**Gearbox Divider 540 RPM (826-520C) ITG**

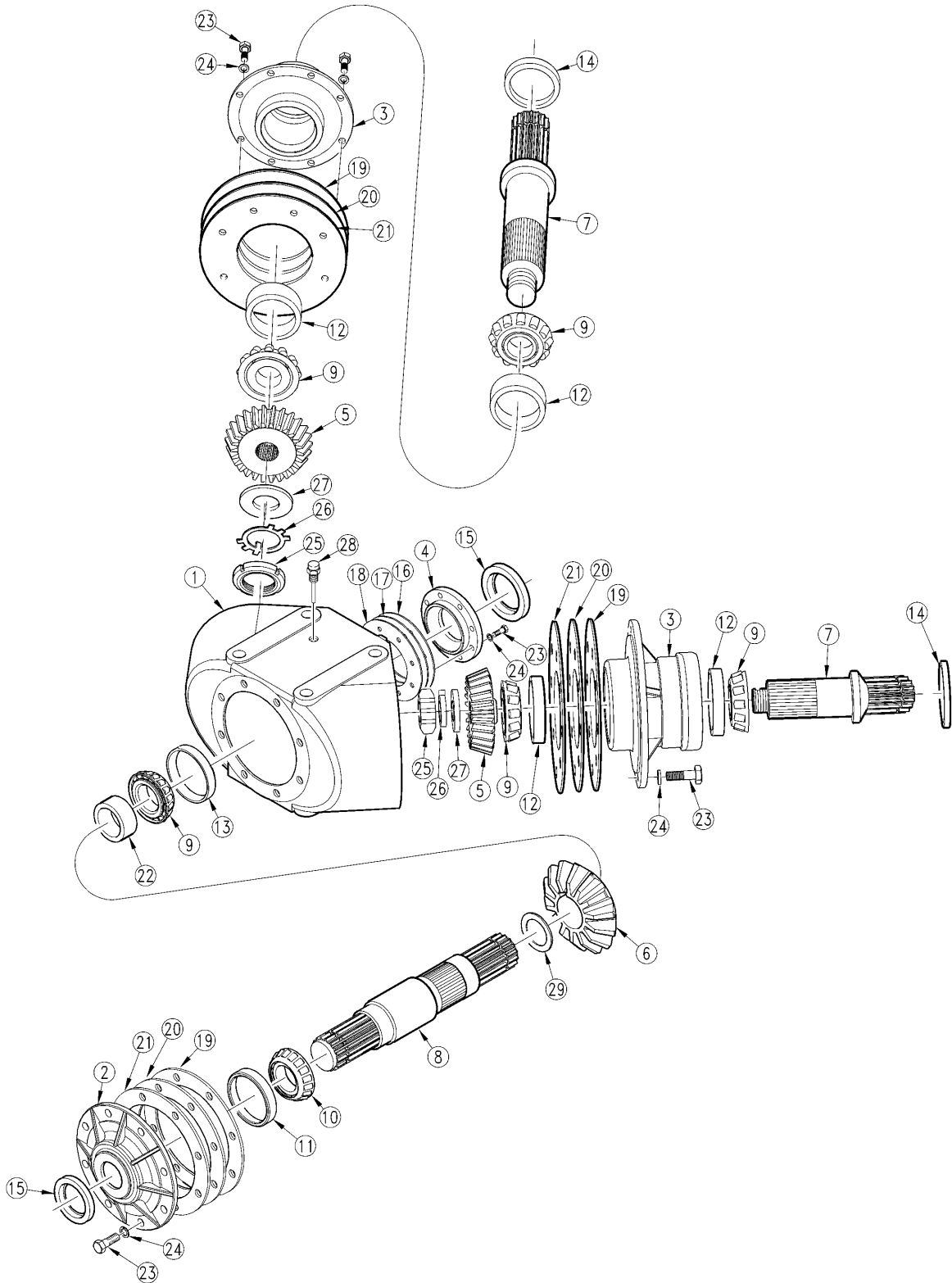
---

**Applies to RCC5615**

<b>Ref</b>	<b>Part No.</b>	<b>Part Description</b>	<b>Comments</b>	<b>Revision</b>
	dwg25681	Drawing Image Number		
	826-520C	DIV BOX 540RPM 1 3/4-20 *		
1.	18-059	ITG HOUSING		
2.	804-158C	WASHER SPRING LOCK M10 PLT		
3.	06-003	ITG M10 X 1.5 X 30 CAP SCREW		
4.	20-019	ITG INPUT CAP SPLITTER BOX		
5.	02-038	ITG INPUT SHAFT		
6.	05-007	ITG INPUT SHAFT OIL SEAL		
7.	04-011	ITG BRG ASSEMBLY		
8.	08-006	ITG INPUT CAP GASKET 0.10MM		
9.	08-007	ITG INPUT CAP GASKET 0.25MM		
10.	08-008	ITG IN & OUT CAP GASKET 0.45MM		
11.	20-018	ITG HORIZONTAL HUB CAP		
12.	05-012B	ITG OUTPUT SEAL 58X95X10 THK		
13.	02-039	ITG OUTPUT SHAFT		
14.	10-001	ITG SPACER		
15.	17-002	ITG SHIM 0.3		
16.	17-001	ITG SHIM 0.4		
17.	17-003	ITG SHIM 0.5		
18.	03-127	ITG 23 TOOTH GEAR		
19.	03-126	19 TOOTH GEAR		
20.	11-012	ITG BRG ADJ. NUT		
21.	12-008	ITG COTTER PIN		
22.	07-022	ITG SEALING WASHER		
23.	09-013	ITG DRAIN PLUG		
24.	09-011	ITG M18 X 1.5P PLUG VENTED		

# Gearbox Divider 540 RPM (826-520C) Omni

Applies to RCC5615



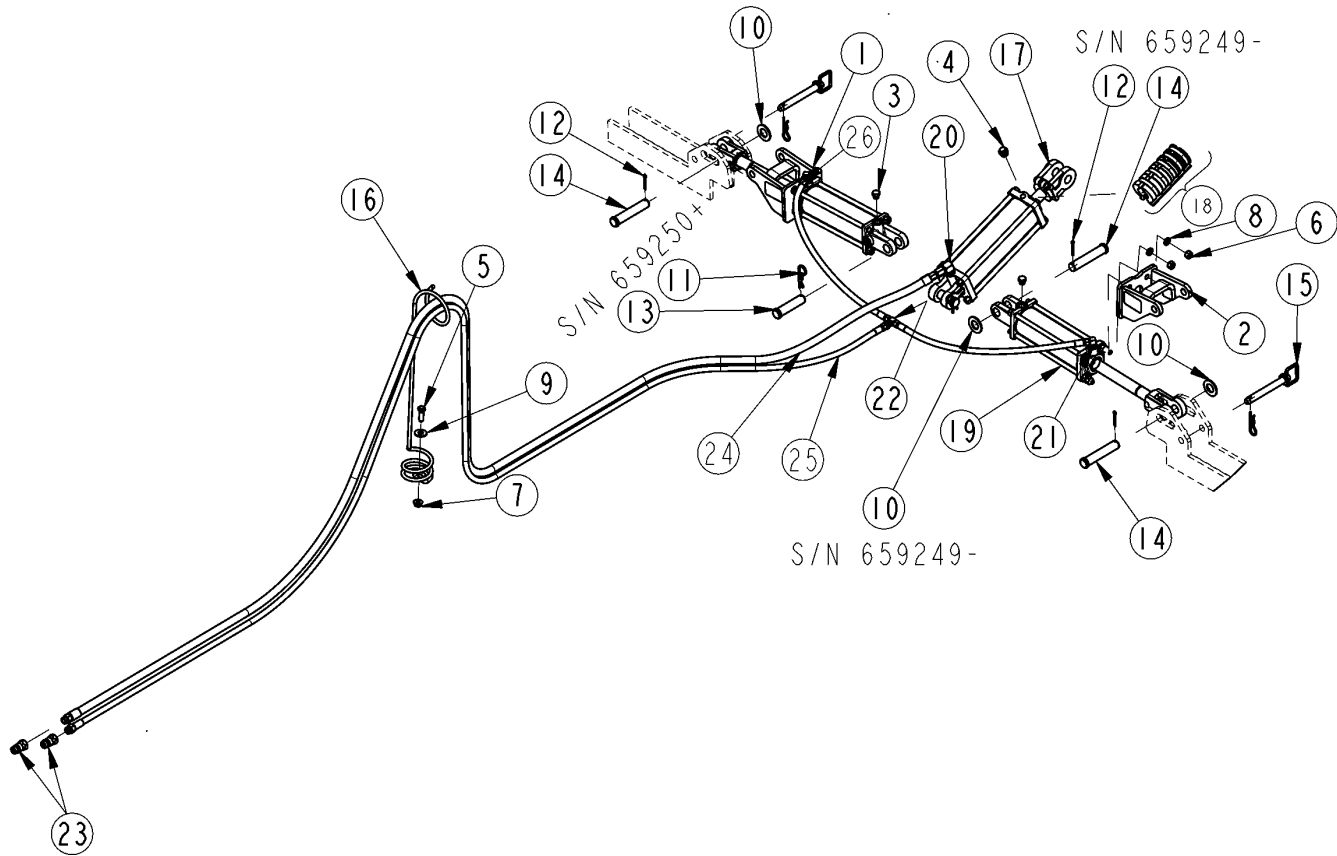
26706

**Gearbox Divider 540 RPM (826-520C) Omni****Applies to RCC5615**

Ref	Part No.	Part Description	Comments	Revision
	dwg26706	Drawing Image Number		
	826-520C	DIV BOX 540RPM 1 3/4-20 *		
1.	010063	OMNI HOUSING RCD101HD		
2.	020162	OMNI INPUT CAP		
3.	020061	OMNI CANTILEVERED OUTPUT CAP		
4.	020110	OMNI OUTPUT CAP		
5.	030413	OMNI PINION, 20T		
6.	030412	OMNI GEAR, 24T		
7.	040121	OMNI OUTPUT SHAFT, 1.75-20SHORT		
8.	040124	OMNI INPUT SHAFT, 1.75-20 LONG		
9.	050008	OMNI BRG CONE - 368		
10.	050012	OMNI BRG CONE -LM603049		
11.	050013	OMNI BRG CUP - LM 603014		
12.	050014	BRG CUP - 362A, OMNI		
13.	050015	BRG CUP - 362, OMNI		
14.	060020	OMNI OUTPUT SEAL		
15.	060051	OMNI THRU SHAFT SEAL		
16.	070057	OMNI GASKET, 0.30MM		
17.	070058	OMNI GASKET, 0.15MM		
18.	070151	OMNI INPUT GASKET, 0.10MM		
19.	070140	OMNI GASKET 0.30MM		
20.	070141	OMNI GASKET 0.15MM		
21.	070142	OMNI GASKET 0.10MM		
22.	090003	SPACER, OMNI		
23.	802-079C	HHCS 3/8-16X1 1/4 GR5		
24.	804-013C	WASHER LOCK SPRING 3/8 PLT		
25.	120025	OMNI LOCKNUT, TN-06		
26.	130030	OMNI LOCKWASHER, TW-06		
27.	130021	OMNI FLAT WASHER		
28.	140046	OMNI LEVEL PLUG 1/2-14NPT,PRW		
29.	200003	OMNI RETAINING RING		

# Hydraulic Lift Components

Applies to RCC5615, RCCM5615



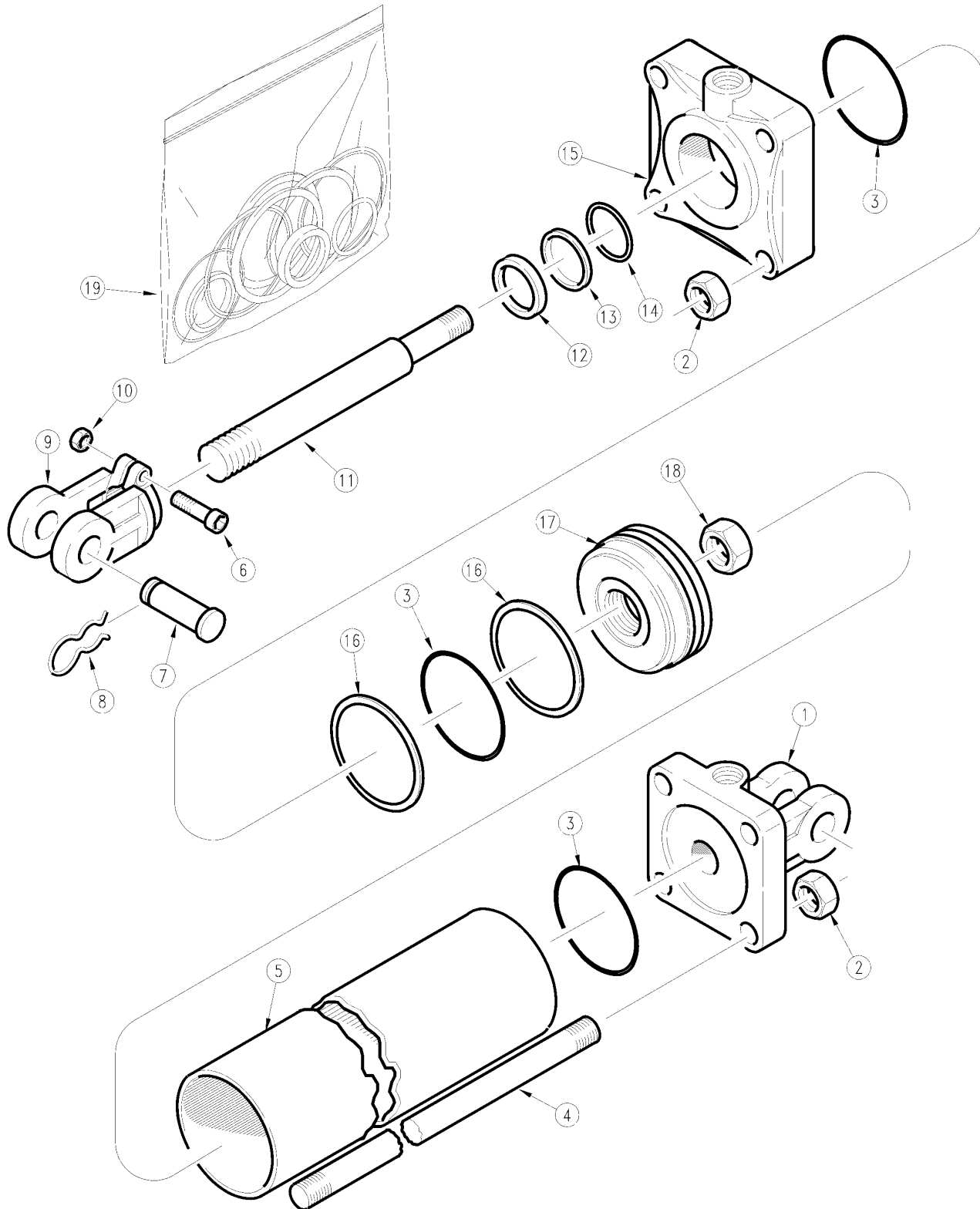
26644

***Hydraulic Lift Components*****Applies to RCC5615, RCCM5615**

<b>Ref</b>	<b>Part No.</b>	<b>Part Description</b>	<b>Comments</b>	<b>Revision</b>
	dwg26644	Drawing Image Number		
1.	330-452S	TRANSPORT LOCK RH		
2.	330-453S	TRANSPORT LOCK LH		
3.	800-117C	VENT PLUG - 9/16-18 PLATED		
4.	800-306C	FILL PLUG VENTED 3/4-16 PLT		
5.	802-091C	HHCS 1/2-13X1 1/2 GR5		
6.	803-020C	NUT HEX 1/2-13 PLT		
7.	803-037C	NUT HEX WHIZ 1/2-13 PLT		
8.	804-015C	WASHER LOCK SPRING 1/2 PLT		
9.	804-017C	WASHER FLAT 1/2 USS PLT		
10.	804-029C	WASHER FLAT 1 SAE		
11.	805-088C	PIN, HAIR COTTER 3/16 WIRE DIA		
12.	805-104C	PIN COTTER 3/16 X 1 1/2 PLT		
13.	805-124C	PIN CLEVIS 1 X 3 11/16 GR5 PLT		
14.	805-131C	PIN CLEVIS 1 X 4 11/16 USABLE		
15.	805-195C	PIN HITCH 3/4 X 5 1/4 USEABLE		
16.	807-073C	SPRING HOSE LOOP HEAVY		
17.	810-162C	CYL 3.5X8X1.25 ROD (TIE ROD)		
18.	810-818C	STRK CNTRL SPCRS 1.125 TO 1.50		
19.	810-644C	CYL 3X8X1 1/4 ROD (TIE) W/PIN		
20.	811-063C	EL 3/4MJIC 3/4MORB		
21.	811-337C	OREL 1/16 9/16MJIC 9/16MORB		
22.	811-356C	TE 9/16MJIC BH 9/16MJIC 9/16MJ		
23.	811-394C	CP 3/4FORB MALE QD POPPET TYPE		
24.	811-619C	HH3/8R1 168 3/4MORB 3/4FJIC		
25.	811-633C	HH3/8R1 162 3/4MORB 9/16 FJIC		
26.	841-283C	HH1/4R1 028 9/16FJIC		

# Hydraulic Cylinder (810-162C) Cross

Applies to RCC5615, RCCM5615



11421

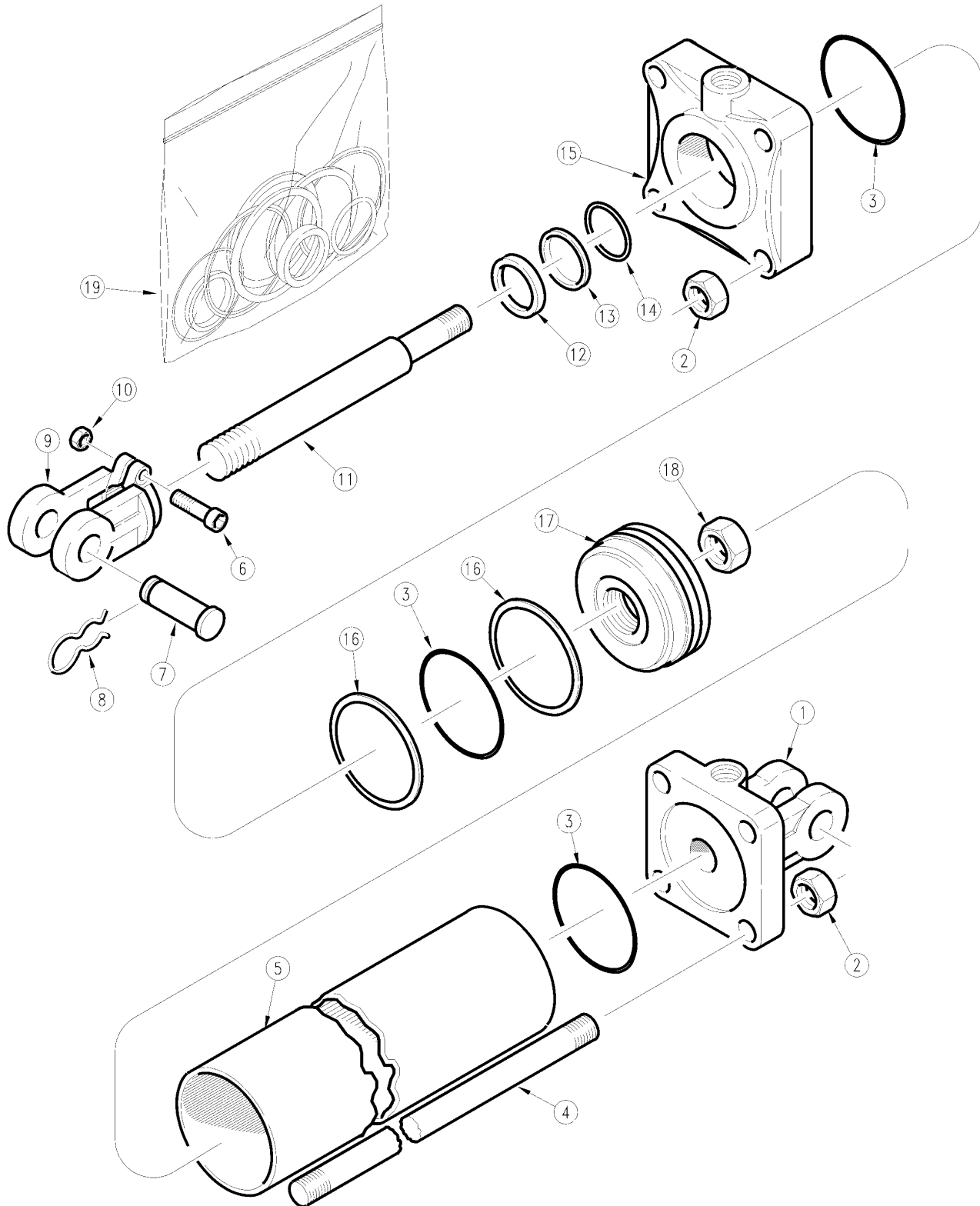


***Hydraulic Cylinder (810-162C) Cross*****Applies to RCC5615, RCCM5615**

<b>Ref</b>	<b>Part No.</b>	<b>Part Description</b>	<b>Comments</b>	<b>Revision</b>
	dwg11421	Drawing Image Number		
	810-162C	CYL 3.5X8X1.25 ROD (TIE ROD) *		
1.	1D1509-4	BASE CROSS		
2.	2A0236-9	TIE ROD NUT CROSS		
3.		O-RING	Only available in Seal Kit (#19)	
4.	2A0581-1325	TIE ROD CROSS		
5.	1D0009-1050	TUBE CROSS		
6.	802-023C	HHCS 3/8-16X1 3/4 GR5		
7.	805-124C	PIN CLEVIS 1 X 3 11/16 GR5 PLT		
8.	805-032C	PIN HAIR COTTER .148 WIRE		
9.	1D1003-5	CROSS ROD CLEVIS		
10.	2A0235-6	CROSS NUT, CLEVIS & TIE ROD		
11.	1D0205-1262	ROD CROSS		
12.		WIPER	Only available in Seal Kit (#19)	
13.		BACK-UP ROD	Only available in Seal Kit (#19)	
14.		O-RING	Only available in Seal Kit (#19)	
15.	1D1159-4	HEAD CROSS		
16.		BACK-UP PISTON	Only available in Seal Kit (#19)	
17.	1D1401-350	PISTON CROSS		
18.	1A1141	PISTON NUT CROSS		
19.	810-146C	SEAL KIT CROSS 3.5 CYL 1C4429		

# Hydraulic Cylinder (810-162C) Midway

Applies to RCC5615, RCCM5615



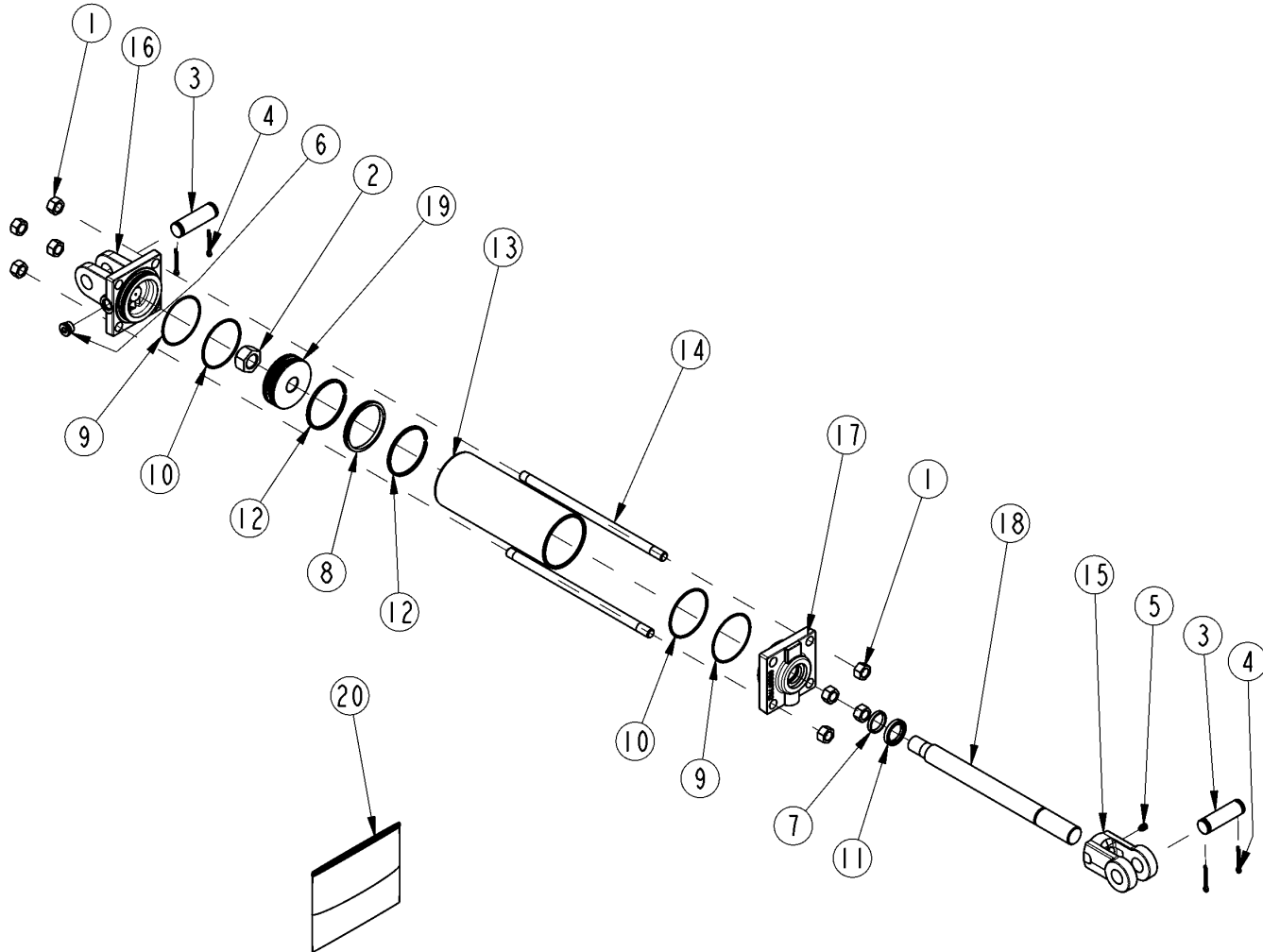
11421

**Hydraulic Cylinder (810-162C) Midway****Applies to RCC5615, RCCM5615**

Ref	Part No.	Part Description	Comments	Revision
	dwg11421	Drawing Image Number		
	810-162C	CYL 3.5X8X1.25 ROD (TIE ROD) *		
1.	6M5142	MW BASE (STD 1 PIN)		
2.	2A0016	MW TIE ROD NUT		
3.		O-RING	Only available in Seal Kit (#19)	
4.	7M5316	MW ROD		
5.	5M5116	MW TUBE 3 1/2 X 8 CYLINDER		
6.	802-023C	HHCS 3/8-16X1 3/4 GR5		
7.	805-124C	PIN CLEVIS 1 X 3 11/16 GR5 PLT		
8.	2A0132	MW PIN CLIP		
9.	1M6010-ADI	MIDWAY HARDENED CLEVIS ADI		
10.	803-234C	NUT HEX 3/8-16 PLAIN		
11.	2M5416	MW ROD		
12.		WIPER	Only available in Seal Kit (#19)	
13.		BACK-UP ROD	Only available in Seal Kit (#19)	
14.		O-RING	Only available in Seal Kit (#19)	
15.	3M5408	MW HEAD		
16.		BACK-UP PISTON	Only available in Seal Kit (#19)	
17.	4M5108	MW PISTON		
18.	2A0024	MW PISTON NUT 1-14		
19.	810-149C	SEAL KIT 810-104C MW 3A5102		

# Hydraulic Cylinder (810-162C) Red Lion

Applies to RCC5615, RCCM5615



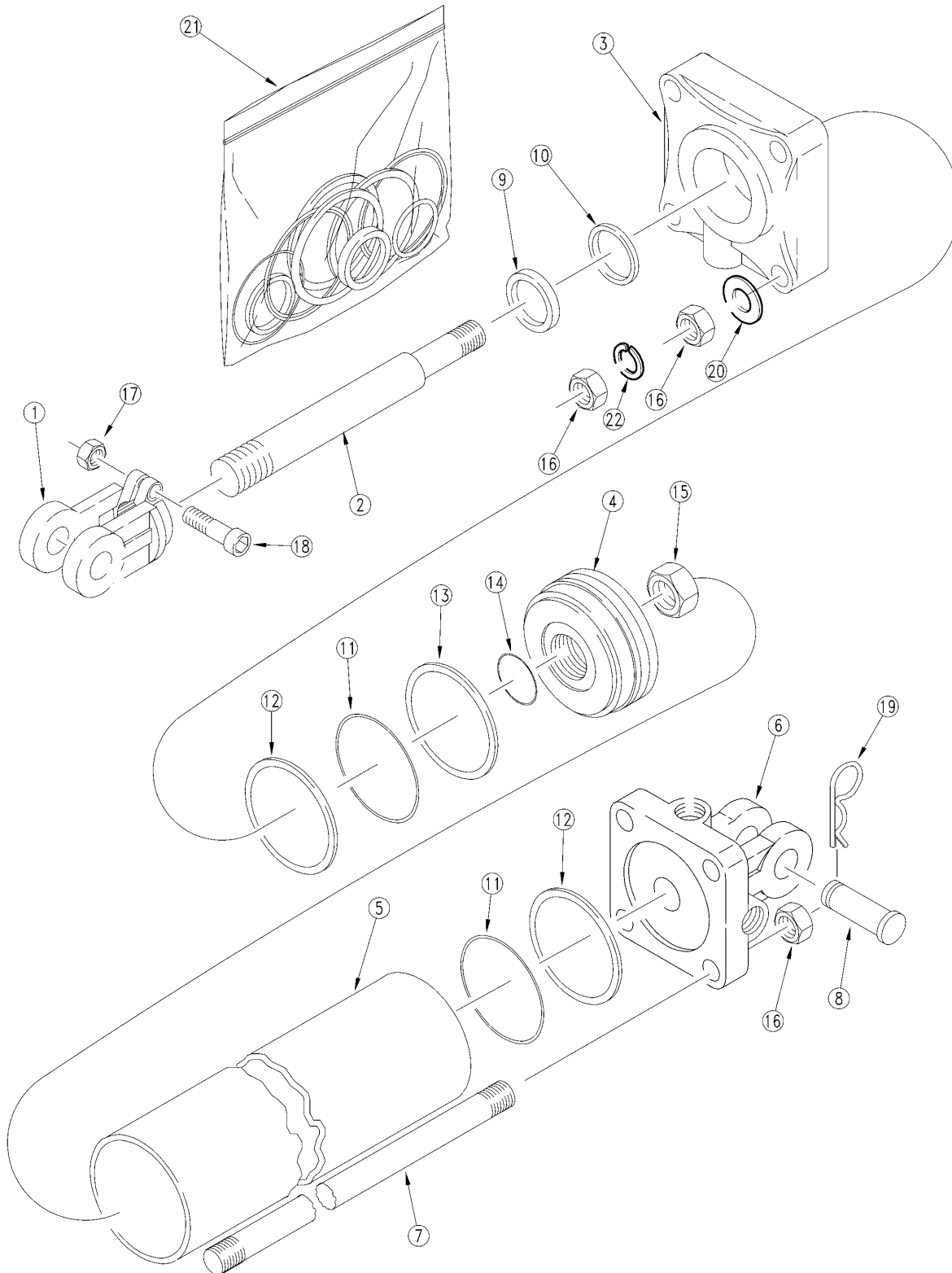
25900

**Hydraulic Cylinder (810-162C) Red Lion****Applies to RCC5615, RCCM5615**

Ref	Part No.	Part Description	Comments	Revision
	dwg25900	Drawing Image Number		
	810-162C	CYL 3.5X8X1.25 ROD (TIE ROD) *		
1.	803-022C	NUT HEX 5/8-18 PLT		
2.	130560	MON PISTON NUT		
3.	134953	LION PIN		
4.	135995	MON CLEVIS PIN COTTER		
5.	801-023C	SCREW SET SH 3/8-16X3/8 TYPE C		
6.	186562	LION PLUG 3/4-16UNF SOCKET HD		
7.	N/A	MON ROD SEAL	Only Found in Kit #20	
8.	N/A	MON PISTON SEAL (PSP)	Only Found in Kit #20	
9.	N/A	LION B.U. WASHER 073-236	Only Found in Kit #20	
10.	N/A	MON END CAP O-RING	Only Found in Kit #20	
11.	N/A	SEAL WIPER ROD	Only Found in Kit #20	
12.	N/A	MON PISTON WEAR RING	Only Found in Kit #20	
13.	491798	LION CYL. TUBE 3.5 X 8		
14.	492338	LION TIE ROD 5/8 X 8		
15.	492652	LION ROD CLEVIS 1 1/4 (1PIN)		
16.	492676	LION CLEVIS CAP 3.5 ORB		
17.	492677	LION ROD CAP 3.5 X 1 1/4 ORB		
18.	492700	LION ROD 1.25 DIA. ASAE 8		
19.	494754	MON PISTON		
20.	648411	MON SEALS REPAIR KIT		

# Hydraulic Cylinder (810-644C) Midway

Applies to RCC5615, RCCM5615



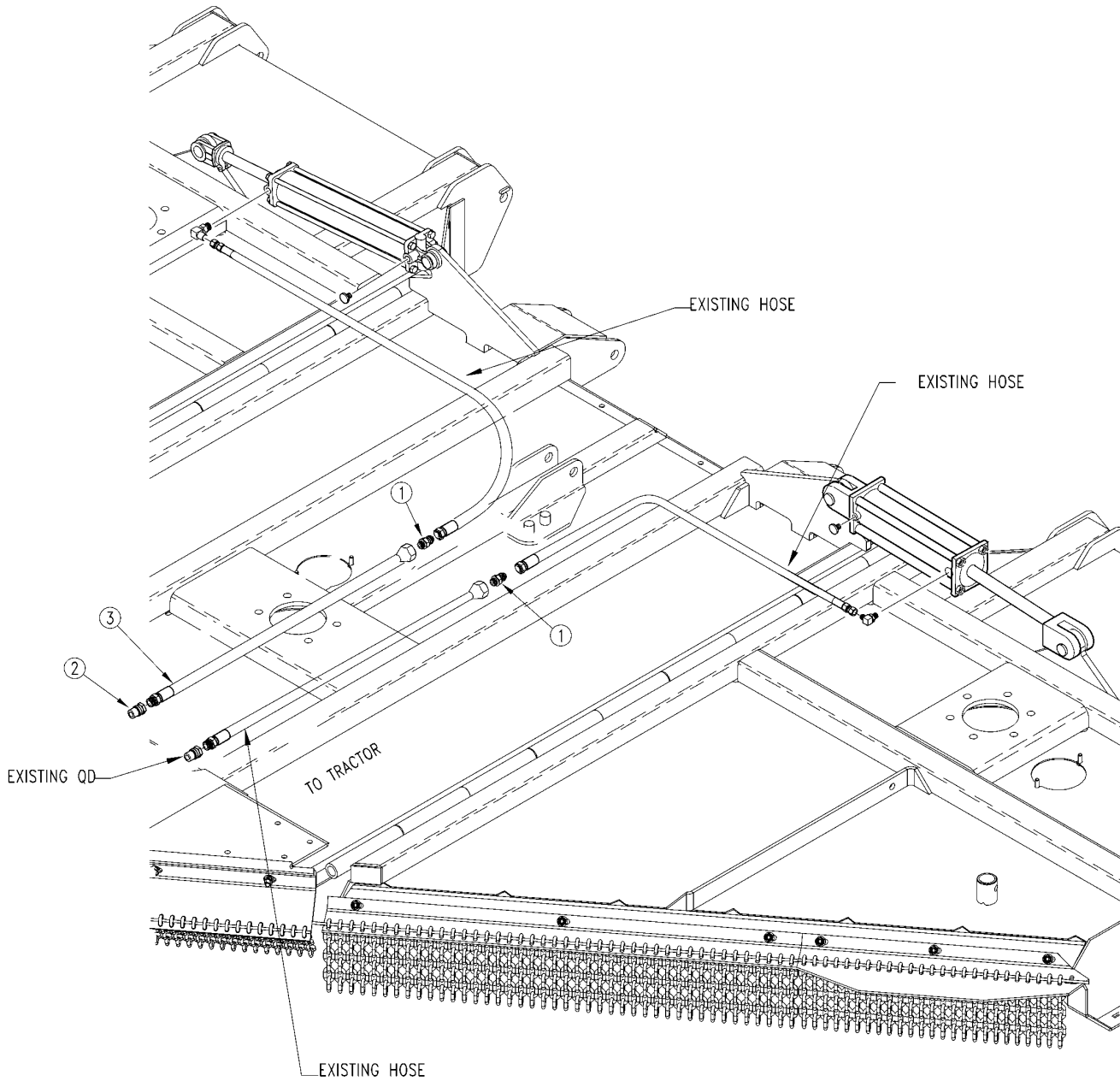
26663

**Hydraulic Cylinder (810-644C) Midway****Applies to RCC5615, RCCM5615**

Ref	Part No.	Part Description	Comments	Revision
	dwg26663 810-644C	Drawing Image Number HYDRAULIC CYLINDER MIDWAY *		
1.	1M6010-ADI	MIDWAY HARDENED CLEVIS ADI		
2.	2M4416	MW ROD 1-1/4 DIA X 8 STROKE		
3.	3R1410	MW HEAD		
4.	4M4108	MW PISTON		
5.	5M4116	MW TUBE 3 X 8 CYLINDER		
6.	6R1146-ADI	MIDWAY ADI BASE		
7.	7M4414	TIE ROD		
8.	805-124C	PIN CLEVIS 1 X 3 11/16 GR5 PLT		
9.	N/A	MW WIPER	Only available in item #21	
10.	N/A	U-CUP	Only available in item #21	
11.	N/A	O-RING MIDWAY	Only available in item #21	
12.	N/A	BACK-UP MIDWAY	Only available in item #21	
13.	N/A	CROWN SEAL MIDWAY	Only available in item #21	
14.	N/A	MW PISTON NUT SEAL	Only available in item #21	
15.	2A0024	MW PISTON NUT 1-14		
16.	2A0014	MW TIE ROD NUT		
17.	803-234C	NUT HEX 3/8-16 PLAIN		
18.	802-023C	HHCS 3/8-16X1 3/4 GR5		
19.	805-088C	PIN, HAIR COTTER 3/16 WIRE DIA		
20.	804-016C	WASHER FLAT 1/2 SAE PLT		
21.	810-015C	CYL SEAL KIT MW (5A4104) 3 X 7		
22.	804-015C	WASHER LOCK SPRING 1/2 PLT		

# Hydraulic Independent Wing Control Accessory

Applies to RCC5615, RCCM5615



25519



***Hydraulic Independent Wing Control Accessory***

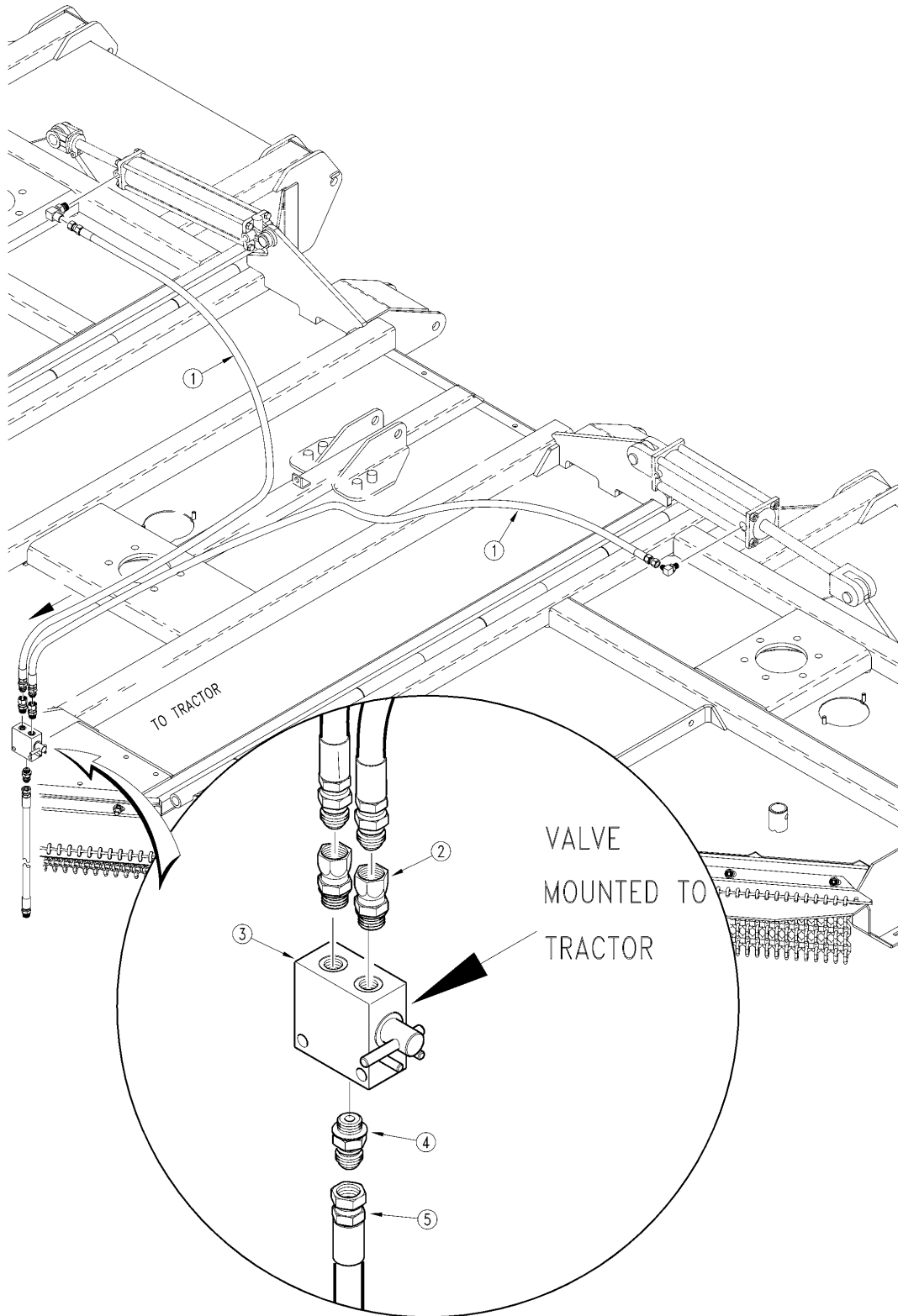
---

**Applies to RCC5615, RCCM5615**

<b>Ref</b>	<b>Part No.</b>	<b>Part Description</b>	<b>Comments</b>	<b>Revision</b>
	dwg25519	Drawing Image Number		
	318-316A	HYDRAULIC WING CONTROL ASSY. *		
1.	811-315C	AD 9/16MJIC		
2.	811-394C	CP 3/4FORB MALE QD POPPET TYPE		
3.	811-633C	HH3/8R1 162 3/4MORB 9/16 FJIC		

# Hydraulic Valve Selector Assy

Applies to RCC5615, RCCM5615



19893

## ***Hydraulic Valve Selector Assy***

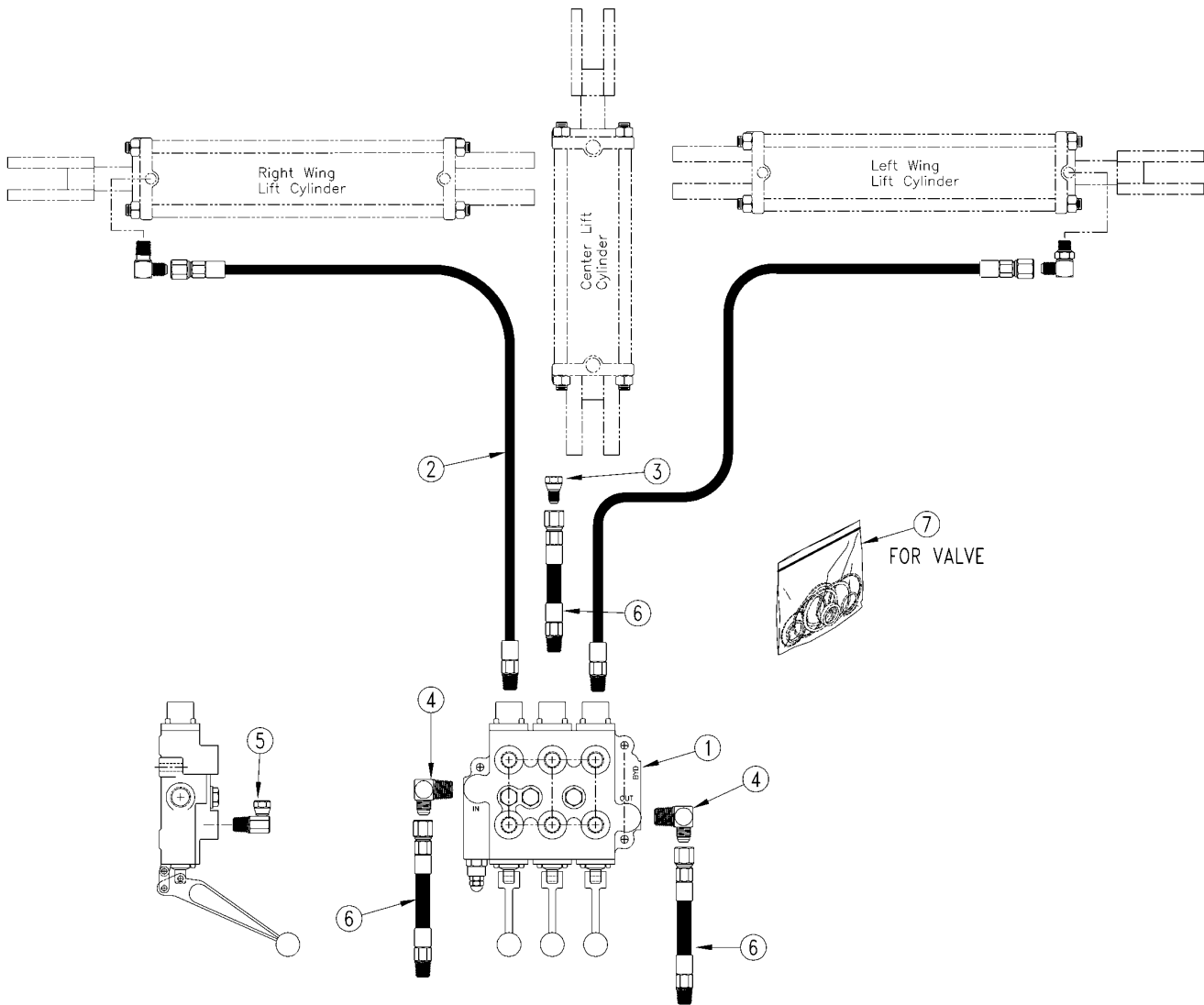
---

**Applies to RCC5615, RCCM5615**

<b>Ref</b>	<b>Part No.</b>	<b>Part Description</b>	<b>Comments</b>	<b>Revision</b>
	dwg19893	Drawing Image Number		
	312-316A	2-WAY SELECTOR VLV KIT		
1.	811-358C	HH1/4R1 265 1/2MNPT 9/16FJIC		
2.	811-021C	AD 1/2FNPTS 3/4MORB		
3.	810-152C	SELECTOR VALVE 3-WAY 2 POS		
4.	811-088C	AD 3/4MORB 3/4MJIC		
5.	811-360C	HH3/8R2 60 1/2MNPT 3/4FJIC		

# Hydraulic Valve Spool Control Accessory

Applies to RCC5615, RCCM5615



***Hydraulic Valve Spool Control Accessory***

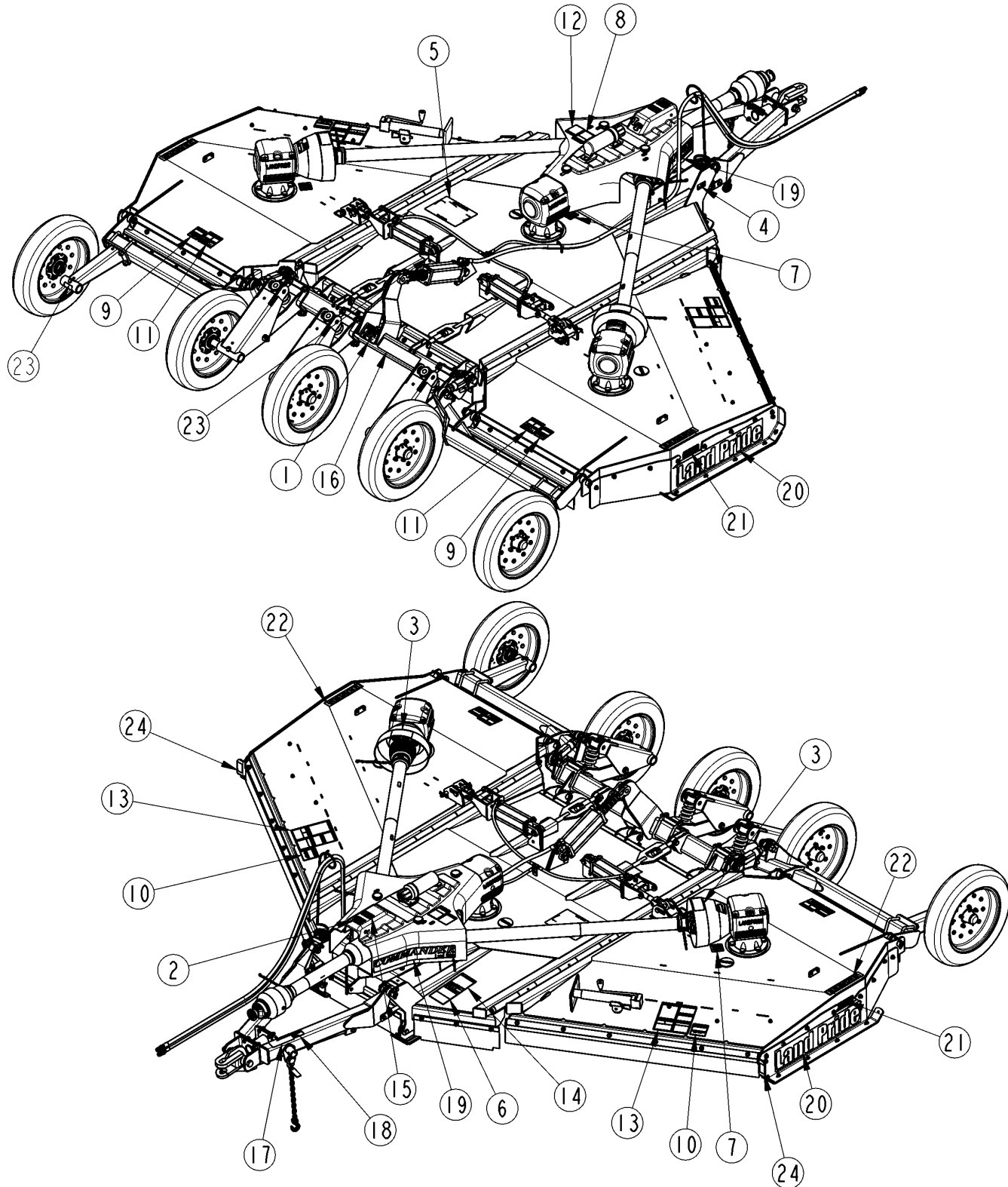
---

**Applies to RCC5615, RCCM5615**

<b>Ref</b>	<b>Part No.</b>	<b>Part Description</b>	<b>Comments</b>	<b>Revision</b>
	dwg11196	Drawing Image Number		
	312-315A	3-SPOOL VALVE KIT		
1.	810-167C	3-SPOOL DIRECTION CONTROL VALV		
2.	811-358C	HH1/4R1 265 1/2MNPT 9/16FJIC		
3.	811-290C	AD 3/4MJIC 1/2FNPT		
4.	811-359C	EL 3/4MJIC X 3/4MNPT		
5.	811-008C	EL 1/2MNPT 1/2FNPTS		
6.	811-360C	HH3/8R2 60 1/2MNPT 3/4FJIC		
7.	810-402C	CROSS SEAL KIT 2V0010		

### Label Placement

Applies to RCC5615, RCCM5615



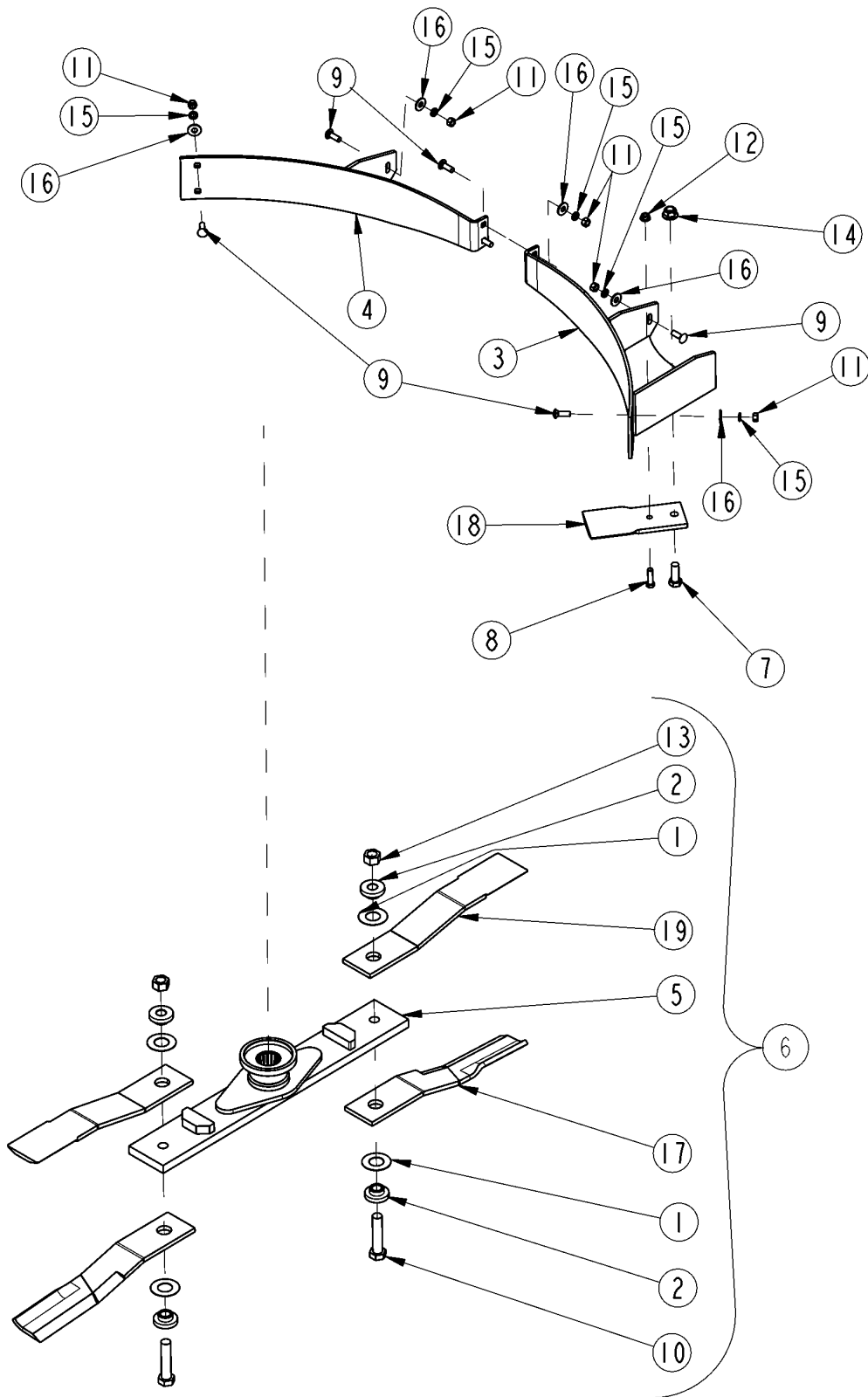
26713

**Label Placement****Applies to RCC5615, RCCM5615**

Ref	Part No.	Part Description	Comments	Revision
	dwg26713	Drawing Image Number		
1.	818-045C	DECAL WARNING PINCH PT/CRUSH		
2.	818-130C	DECAL CAUTION 540 RPM		
3.	818-142C	DECAL DANGER PTO DRIVELINE EN		
4.	818-190C	DECAL FLAG		
5.	818-268C	DECAL BLADE ROTATION		
6.	818-276C	DECAL WARNING OPERATING ANGLE		
7.	818-543C	DECAL DANGER PD GUARD MISS SML		
8.	818-552C	DECAL DANGER PTO DRIVELINE		
9.	818-556C	DECAL DANGER THROWN OBJ CUTTER		
10.	818-561C	DECAL DANGER RAISED WING HAZAR		
11.	818-564C	DECAL DANGER ROTATING BLADES		
12.	818-680C	DECAL IMPORTANT - SLIP CLUTCH		
13.	818-830C	DECAL SAFETY COMBO SUNWEST		
14.	818-840C	DECAL DANGER ROLLOVER HAZARD		
15.	818-862C	DECAL 5 YEAR GEARBOX WARRANTY		
16.	818-900C	DECAL LANDPRIDE 13.25" - BEIGE		
17.	838-094C	DECAL WARNING HYD PRESS LONG		
18.	838-588C	FOLDING CUTTER SPEED WARNING		
19.	838-637C	DECAL COMMANDER GREEN	Beige & Green Unit	
19.	838-586C	DECAL COMMANDER	Red Unit	
19.	848-239C	DECAL COMMANDER ORANGE	Orange Unit	
20.	838-959C	DECAL LANDPRIDE 30" GREEN	Beige & Green Unit	
20.	838-642C	DECAL LANDPRIDE 34" LG	Red Unit	
20.	848-122C	DECAL LANDPRIDE 34" TAN/BROWN	Orange Unit	
21.	848-088C	DECAL DANGER GUARD MISSING		
22.	848-353C	DECAL RCC5615 GREEN	Beige Unit	
22.	848-355C	DECAL RCC5615 GOLD	Green Unit & Red Unit	
22.	848-357C	DECAL RCC5615 YELLOW	Orange Unit	
22.	848-354C	DECAL RCCM5615 GREEN	Beige Unit	
22.	848-356C	DECAL RCCM5615 GOLD	Green Unit & Red Unit	
22.	848-358C	DECAL RCCM5615 YELLOW	Orange Unit	
23.	818-230C	DECAL RED REFLECTOR		
24.	818-229C	DECAL AMBER REFLECTOR		

# Shredder/Baffle Components Center Deck

Applies to RCC5615, RCCM5615



26674

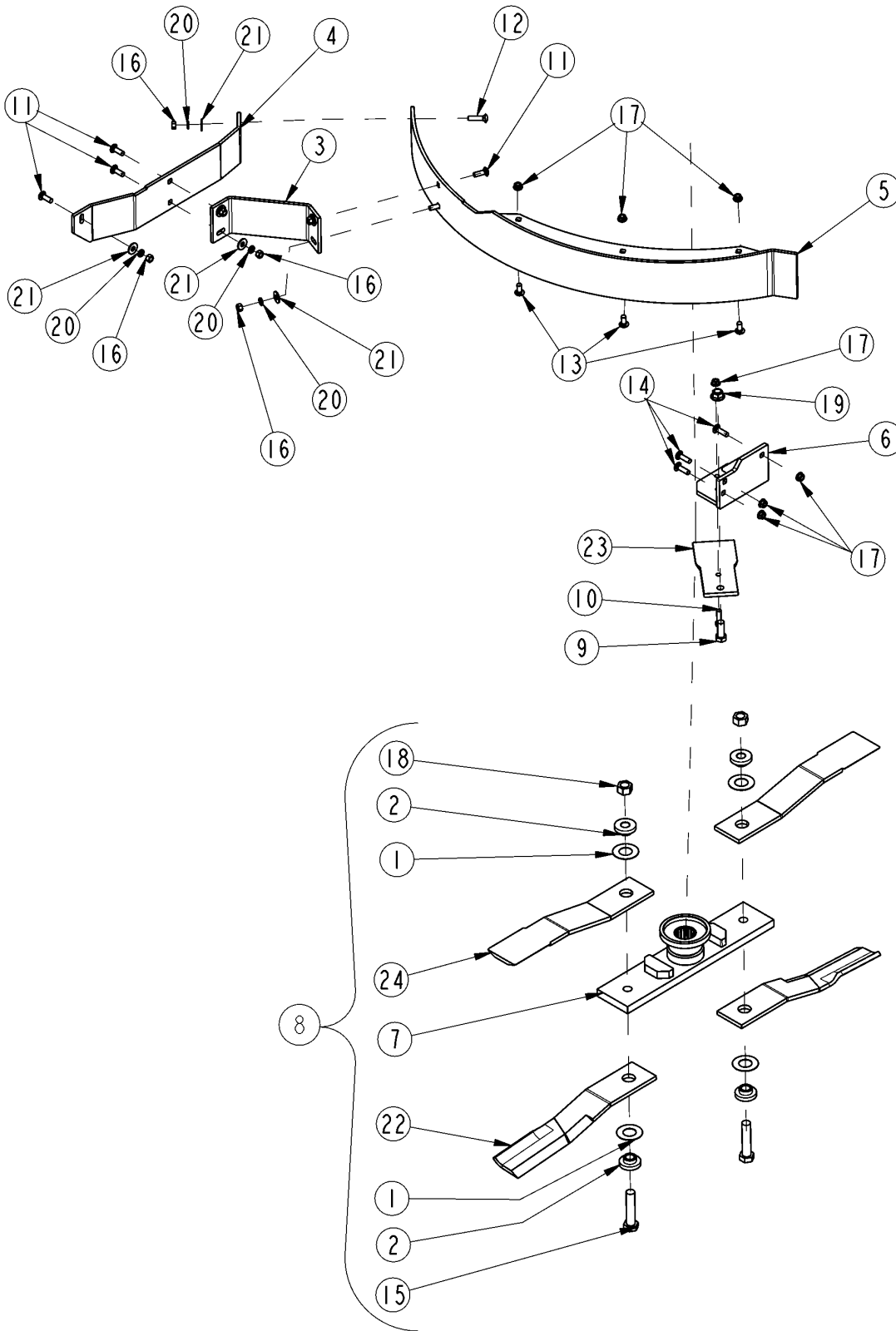


**Shredder/Baffle Components Center Deck****Applies to RCC5615, RCCM5615**

<b>Ref</b>	<b>Part No.</b>	<b>Part Description</b>	<b>Comments</b>	<b>Revision</b>
	dwg26674	Drawing Image Number		
1.	312-075D	BLADE SPACER 16 GA .06 THICK	As Required	
1.	312-082D	BLADE SPACER 18 GA .05 THICK	As Required	
1.	312-089D	BLADE SPACER 20 GA .04 THICK	As Required	
1.	312-808D	BLADE SPACER 24 GA .03 THICK	As Required	
2.	318-309D	BLADE BUSHING		
3.	330-253H	BAFFLE, CENTER DECK		
4.	330-287H	BAFFLE, CENTER DECK RH		
5.	330-397H	BLADE BAR 31"		
6.	330-399S	CCW BLADE SHREDDER 72"		
7.	802-064C	HHCS 3/4-10X2 GR5		
8.	802-082C	HHCS 1/2-13X1 3/4 GR5		
9.	802-106C	RHSNB 1/2-13X1 1/2 GR5		
10.	802-680C	HHCS 1-8 X 4 1/2 PLT GR8		
11.	803-020C	NUT HEX 1/2-13 PLT		
12.	803-037C	NUT HEX WHIZ 1/2-13 PLT		
13.	803-168C	NUT HEX TOP LOCK 1-8 PLT		
14.	803-299C	NUT HEX FLG TOP LK 3/4-10 PLT		
15.	804-015C	WASHER LOCK SPRING 1/2 PLT		
16.	804-017C	WASHER FLAT 1/2 USS PLT		
17.	820-169C	CUTTER BLADE 1/2X4X23 CCW		
18.	820-373C	CUTTER BLADE 1/2X4X10.25CW/CCW		
19.	820-377C	CUTTER BLADE 1/2X4X23.5 FLAT		

# Shredder/Baffle Components LH Deck

Applies to RCC5615, RCCM5615



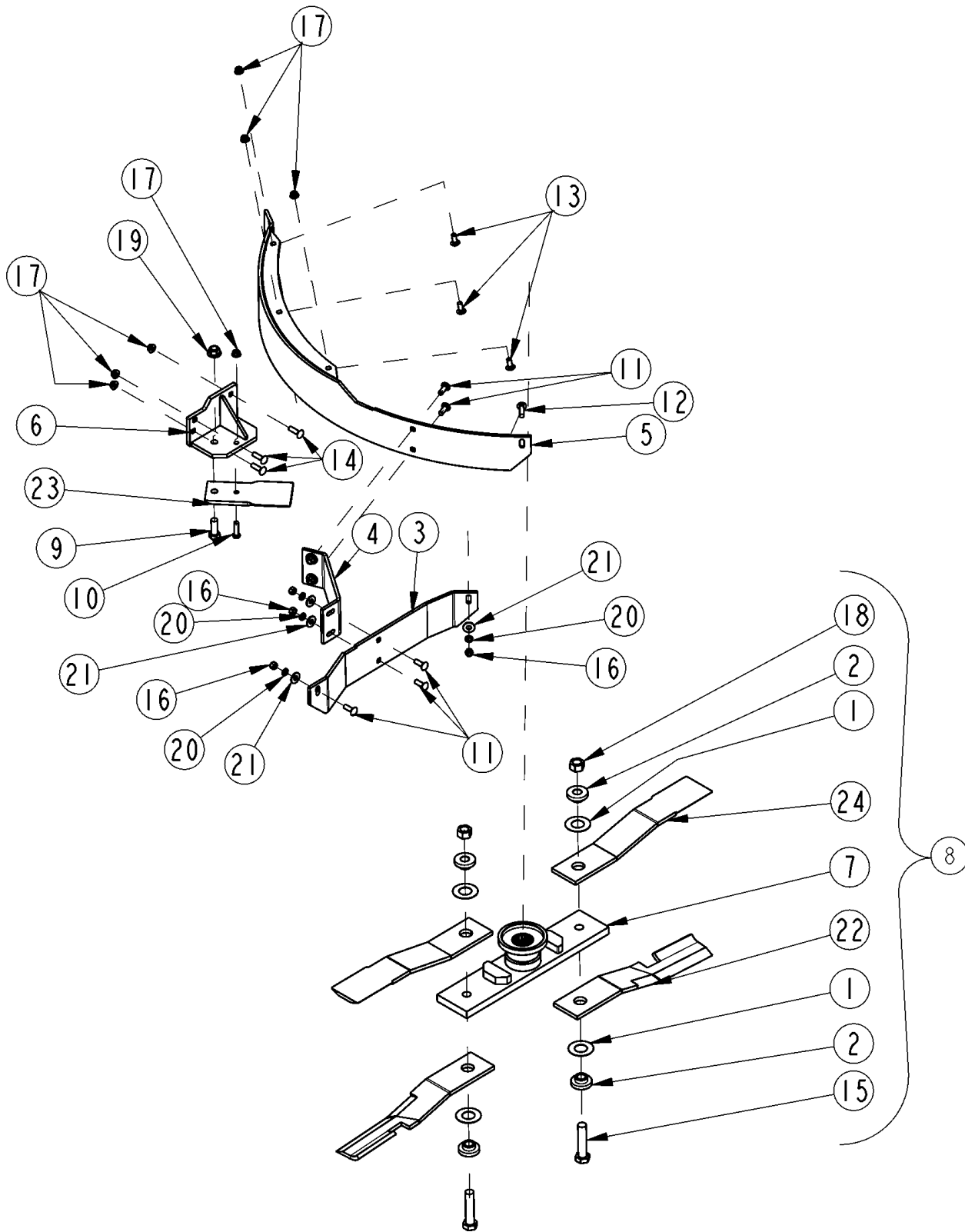
26673

**Shredder/Baffle Components LH Deck****Applies to RCC5615, RCCM5615**

<b>Ref</b>	<b>Part No.</b>	<b>Part Description</b>	<b>Comments</b>	<b>Revision</b>
	dwg26673	Drawing Image Number		
1.	312-075D	BLADE SPACER 16 GA .06 THICK	As Required	
1.	312-082D	BLADE SPACER 18 GA .05 THICK	As Required	
1.	312-089D	BLADE SPACER 20 GA .04 THICK	As Required	
1.	312-808D	BLADE SPACER 24 GA .03 THICK	As Required	
2.	318-309D	BLADE BUSHING		
3.	318-946D	BRACKET BAFFLE TIE		
4.	318-947D	BAFFLE WING TO CENTER LH		
5.	330-263H	BAFFLE, WING LH		
6.	330-265H	MOUNT, WING KNIFE LH		
7.	330-398H	BLADE BAR 19"		
8.	330-400S	CCW BLADE SHREDDER 60"		
9.	802-064C	HHCS 3/4-10X2 GR5		
10.	802-082C	HHCS 1/2-13X1 3/4 GR5		
11.	802-106C	RHSNB 1/2-13X1 1/2 GR5		
12.	802-129C	RHSNB 1/2-13X2 GR5		
13.	802-214C	RHSNB 1/2-13X1 1/4 GR5		
14.	802-331C	RHSNB 1/2-13X1 3/4 GR5		
15.	802-680C	HHCS 1-8 X 4 1/2 PLT GR8		
16.	803-020C	NUT HEX 1/2-13 PLT		
17.	803-037C	NUT HEX WHIZ 1/2-13 PLT		
18.	803-168C	NUT HEX TOP LOCK 1-8 PLT		
19.	803-299C	NUT HEX FLG TOP LK 3/4-10 PLT		
20.	804-015C	WASHER LOCK SPRING 1/2 PLT		
21.	804-017C	WASHER FLAT 1/2 USS PLT		
22.	820-169C	CUTTER BLADE 1/2X4X23 CCW		
23.	820-373C	CUTTER BLADE 1/2X4X10.25CW/CCW		
24.	820-377C	CUTTER BLADE 1/2X4X23.5 FLAT		

# Shredder/Baffle Components RH Deck

Applies to RCC5615, RCCM5615



26672

**Shredder/Baffle Components RH Deck****Applies to RCC5615, RCCM5615**

<b>Ref</b>	<b>Part No.</b>	<b>Part Description</b>	<b>Comments</b>	<b>Revision</b>
	dwg26672	Drawing Image Number		
1.	312-075D	BLADE SPACER 16 GA .06 THICK	As Required	
1.	312-082D	BLADE SPACER 18 GA .05 THICK	As Required	
1.	312-089D	BLADE SPACER 20 GA .04 THICK	As Required	
1.	312-808D	BLADE SPACER 24 GA .03 THICK	As Required	
2.	318-309D	BLADE BUSHING		
3.	318-945D	BAFFLE WING TO CENTER RH		
4.	318-946D	BRACKET BAFFLE TIE		
5.	330-262H	BAFFLE, WING RH		
6.	330-264H	MOUNT, WING KNIFE RH		
7.	330-398H	BLADE BAR 19"		
8.	330-401S	CW BLADE SHREDDER 60"		
9.	802-064C	HHCS 3/4-10X2 GR5		
10.	802-082C	HHCS 1/2-13X1 3/4 GR5		
11.	802-106C	RHSNB 1/2-13X1 1/2 GR5		
12.	802-129C	RHSNB 1/2-13X2 GR5		
13.	802-214C	RHSNB 1/2-13X1 1/4 GR5		
14.	802-331C	RHSNB 1/2-13X1 3/4 GR5		
15.	802-680C	HHCS 1-8 X 4 1/2 PLT GR8		
16.	803-020C	NUT HEX 1/2-13 PLT		
17.	803-037C	NUT HEX WHIZ 1/2-13 PLT		
18.	803-168C	NUT HEX TOP LOCK 1-8 PLT		
19.	803-299C	NUT HEX FLG TOP LK 3/4-10 PLT		
20.	804-015C	WASHER LOCK SPRING 1/2 PLT		
21.	804-017C	WASHER FLAT 1/2 USS PLT		
22.	820-170C	CUTTER BLADE 1/2X4X23 CW		
23.	820-373C	CUTTER BLADE 1/2X4X10.25CW/CCW		
24.	820-377C	CUTTER BLADE 1/2X4X23.5 FLAT		



# Part Number Index

The Part Number Index is a numeric index of all part numbers included in this manual. The index shows what page(s) the part is used on.

Part Number	Page	Part Number	Page	Part Number	Page	Part Number	Page
0.121.7101.00	113, 115, 117, 125, 127	10-001	121, 131	165.000.628	57, 91	229845X0	79, 107
0.252.7525.00	113, 115, 117, 125, 127	1006020	53, 77, 87, 105	165.000.629	59	26-13387	63
0.285.7510.00	113, 115, 117, 125, 127	1006220	77, 105	165.000.694	57, 59, 91	26-15120	61, 93
0.288.7101.00	9, 13, 113, 115, 117, 125, 127	1016025	77, 105	165.000.785	57, 59, 91	26-16033	61, 63, 93
0.305.0300.01	119, 129	105083	79, 107	168556	69, 71, 99, 101	28133000	79, 107
0.305.1300.00	119, 129	107542	71, 101	17-001	121, 131	28133100	79, 107
0.305.2000.00	119, 129	11-012	121, 131	17-002	121, 131	2A0014	143
0.305.3000.00	119, 129	11-14988	61, 63, 93	17-003	121, 131	2A0016	139
0.305.5001.00	119, 129	11-15180	61, 63, 93	170.016.630.1	51, 85	2A0024	139, 143
0.305.6000.00	119, 129	1106025	77, 105	1705009	73, 75, 103	2A0132	139
0.709.7500.00	113, 115, 117, 119, 125, 127	1106525	53, 87	1706027	53, 77, 87, 105	2A0235-6	137
0.712.7500.00	113, 115, 117, 125, 127	1138007	73, 75, 103	1706029	77, 105	2A0236-9	137
010063	123, 133	1138008	73, 75, 103	1706033	73, 75, 103	2A0581-1325	137
02-038	121, 131	12-008	121, 131	1708016	75, 103	2M4416	143
02-039	121, 131	120025	123, 133	1708017	73	2M5416	139
020061	123, 133	1215012	73, 75, 103	1708034	75, 103	301.005	69, 71, 79, 99, 101, 107
020110	123, 133	1215733	77, 105	1786710	77, 105	304011	55, 83, 89, 111
020162	123, 133	1215735	77, 105	1786711	77, 105	304046	55, 83, 89, 111
020466	79, 107	122.580.023.1	81, 109	18-059	121, 131	312-075D	7, 153, 155, 157
020617	79, 107	122.580.501.1	57, 59	180.014.022	65, 67, 95, 97	312-082D	7, 153, 155, 157
03-126	121, 131	122.580.510.1	91	180.014.240	57, 59, 81, 91, 109	312-089D	7, 153, 155, 157
03-127	121, 131	122.580.511.1	81, 109	180.016.025	57, 59, 81, 91, 109	312-315A	149
03-15316	61, 63, 93	122.981.002.1	57, 59	180.016.130	51, 85	312-316A	147
03-15570	61, 63, 93	122.981.027.1	91	180.016.004	57, 59, 81, 91, 109	312-808D	7, 153, 155, 157
030193	123	125545	71, 101	180.018.004	57, 59, 81, 91, 109	312-889D	37, 41, 45
030194	123	130021	123, 133	180.018.158	57, 59, 91	312209	55, 83, 89, 111
030412	133	130030	123, 133	180.018.251	57, 59, 81, 91, 109	318-000D	49
030413	133	130560	141	180.018.252	57, 59, 81, 91, 109	318-005H	25
04-011	121, 131	134953	141	180.018.393	57, 59, 81, 91, 109	318-006H	23, 25
040121	123, 133	135995	141	180.018.437	57, 59, 81, 91, 109	318-053L	23, 25
040124	123, 133	140046	123, 133	180.018.567	57, 59, 91	318-107D	35, 39, 43
044321	55, 77, 79, 83, 89, 105, 107, 111	1406016	53, 73	180.019.014	65, 67, 95, 97	318-129D	49
05-007	121, 131	141.026.357.1	51, 85	180.019.018	65, 67, 95, 97	318-309D	153, 155, 157
05-012B	121, 131	141.028.195.1	57, 59, 81, 91, 109	180.019.019	65, 67, 95, 97	318-316A	145
050008	123, 133	141.028.248.1	57, 59, 91	180.019.115	65, 67, 95, 97	318-322D	9
050012	123, 133	141.028.358.1	91	180.019.116.1	65, 67, 95, 97	318-337D	35, 39, 43
050013	123, 133	141.028.359.1	57	1808010	73, 75, 103	318-357H	27
050014	123, 133	141.028.360.1	59	186562	141	318-358H	19, 27
050015	123, 133	141.028.472.1	57, 59, 91	1876111	77, 105	318-401H	9
06-003	121, 131	1422831412821	91	1876901	77, 105	318-478D	37, 41, 45
060020	123, 133	1422831442821	57, 59	1877111	77, 105	318-556H	23
060051	123, 133	1422831949821	81, 109	1877901	77, 105	318-586A	7
07-022	121, 131	1422871029821	81, 109	1885702	77, 105	318-606D	39
070057	123, 133	1422871632821	91	1885703	77, 105	318-617D	35, 39, 43
070058	123, 133	1422871642821	57, 59	19-15121	61, 63, 93	318-620K	39
070140	123, 133	1446016	75, 77, 87, 103, 105	190.000.016	51, 85	318-633D	13
070141	123, 133	146.264.024.1	51, 65, 85, 95	190.000.243	57, 59, 81, 91, 109	318-636D	35, 43
070142	123, 133	146.284.020.1	67, 81, 97, 109	1A1141	137	318-657D	47
070151	123, 133	151.016.031.1	51, 85	1D0009-1050	137	318-691D	19
08-006	121, 131	151.016.037.1	65, 95	1D0205-1262	137	318-693D	19
08-007	121, 131	151.018.016.1	67, 97	1D1003-5	137	318-696H	13
08-008	121, 131	151.018.016.1	67, 97	1D1159-4	137	318-696H81	13
084099	87	151.018.228.1	65, 67, 95, 97	1D1401-350	137	318-696H82	13
087276	55, 79, 83, 89, 107, 111	151.018.241.1	81, 109	1D1509-4	137	318-696H83	13
09-011	121, 131	1522805260710	57, 59	1M6010-ADI	139, 143	318-707K	35
09-013	121, 131	1522805320710	91	20-018	121, 131	318-728K	47
090003	123, 133	1522805450710	81, 109	20-019	121, 131	318-746D	10
094784	79, 107	1526121	77, 105	200-001D	31, 33	318-834H	19
097133	55, 83, 89, 111	1528014D	87	200003	123, 133	318-835H	19
097140	55, 83, 89, 111	1528121	77, 105	20452	69, 99	318-917D	47
1.181.7101.00	113, 115, 117, 125, 127	1528304	87	20467	69, 99	318-918D	47
		1528305	53	229829X0	69, 79, 99, 107	318-924D	49
		1528901	77, 105			318-925D	49
		155.150.724	51, 85			318-927D	13
		158.018.470	57, 59, 91			318-928D	13
		165.000.548	65, 67, 95, 97			318-929D	41
		165.000.589	51, 57, 59, 65, 67, 81, 85, 91, 95, 97, 109			318-930D	37, 45
						318-931D	39
						318-932D	35, 43

## Table of Contents    Part Number Index



# Part Number Index (continued)

Part Number	Page	Part Number	Page	Part Number	Page	Part Number	Page
318-945D	157	330-263H	155	390257	89	8.5.1.00533	113, 115, 117, 125, 127
318-946D	155, 157	330-264H	157	391350	69, 99	8.5.2.00332	113, 115, 117, 125, 127
318-947D	155	330-265H	155	391351	69, 99	8.5.2.01772	119, 129
318-952D	49	330-267D	10	391409	55	8.6.5.00006	113, 115, 117, 125, 127
318-965D	39	330-268D	10	391410	55	8.6.6.00201	119, 129
318-966D	35, 43	330-269D	10	391567	69, 99	8.6.7.00269	119
318-967D	41	330-271H	19, 27	393173	71, 101	8.7.1.02349	113, 115, 117, 125, 127
318-968D	37, 45	330-273K	39	393916	71, 101	8.7.3.00331	113, 115, 117, 119, 125, 127, 129
321256	89	330-274K	35	394874	83, 111	800-001C	19, 29
323524	83, 111	330-275K	43	395980	71, 83, 101, 111	800-073C	31
325027	55, 83, 89, 111	330-276K	41	396295	83, 111	800-080C	13, 19, 21, 27, 31, 33
330-050D	41	330-277K	37	396298	69, 99	800-117C	135
330-051D	37, 45	330-278K	45	397493	83, 111	800-306C	135
330-084H	7	330-279A	39	397494	79, 107	801-023C	141
330-085S	7	330-280A	35	397495	79, 107	802-005C	9
330-086S	7	330-281A	43	3M5408	139	802-007C	9
330-087S	7	330-282A	41	3R1410	143	802-015C	49
330-155K	43	330-283A	37	491798	141	802-022C	13
330-178H	31	330-284A	45	492338	141	802-023C	137, 139, 143
330-179H	31	330-285K	9	492652	141	802-053C	10, 17, 19, 23, 25, 27
330-183H	33	330-285K82	9	492676	141	802-058C	9
330-185H	9	330-285K83	9	492677	141	802-062C	10
330-186H	9	330-287H	153	492700	141	802-064C	153, 155, 157
330-186H81	9	330-297A	73, 75, 103	494754	141	802-065C	9, 13
330-186H82	9	330-314A	47	4M4108	143	802-074C	19, 27
330-186H83	9	330-315A	49	4M5108	139	802-079C	123, 133
330-187H	13	330-316K	47	55051-1817	61, 63, 93	802-082C	17, 19, 23, 25, 27, 31, 153, 155, 157
330-187H81	13	330-317K	47	5M4116	143	802-091C	10, 135
330-187H82	13	330-318K	49	5M5116	139	802-096C	21
330-187H83	13	330-319K	49	6141280	53, 87	802-099C	31, 33
330-188H	13	330-320K	49	6331070	77, 105	802-106C	153, 155, 157
330-188H81	13	330-321H	27	6331080	53, 77, 87, 105	802-110C	23, 25
330-188H82	13	330-332A	27	6410112	53, 87	802-129C	155, 157
330-188H83	13	330-333A	19	6410114	77, 105	802-143C	21, 31, 33
330-189H	9	330-334A	23	6412112	53, 87	802-205C	27
330-189H81	9	330-335A	17	6412114	77, 105	802-214C	13, 35, 37, 39, 41, 43, 45, 47, 49, 155, 157
330-189H82	9	330-348H	17	648411	141	802-235C	19
330-189H83	9	330-397H	153	6560006	77, 105	802-277C	7
330-190H	13	330-398H	155, 157	6560508	53, 77, 105	802-314C	9, 13
330-190H81	13	330-399S	153	6691010	75, 103	802-331C	155, 157
330-190H82	13	330-400S	155	6691080	73	802-392C	10
330-190H83	13	330-401S	157	6761280	53, 87	802-466C	13
330-191H	13	330-449K	41	6761480	77, 105	802-486C	71, 101
330-191H81	13	330-450K	37	6821483	73	802-538C	29
330-191H82	13	330-451K	45	6821484	75, 103	802-552C	29
330-191H83	13	330-452S	135	68810-1003	61	802-594C	19
330-195H	29	330-453S	135	68810-1004	93	802-680C	153, 155, 157
330-196L	29	330-607H	31	68810-1005	63	802-729C	23
330-199H	31	330-648S	27	6M5142	139	802-754C	29
330-200H	33	330-754K	10	6R1146-ADI	143	802-779C	31, 33
330-201H	33	333645	55	702352	55, 83, 89, 111	802-915C	29
330-219S	13	335603	71, 101	7M4414	143	803-013C	21, 31, 33
330-219S81	13	335605	71, 101	7M5316	139	803-014C	13
330-219S82	13	339107	89	8.0.9.00079	113, 115, 117, 125, 127	803-017C	31, 33
330-219S83	13	355155	55, 79, 89, 107	8.0.9.00143	113, 115, 117, 119, 125, 127, 129	803-019C	31, 33
330-220S	13	359471	79, 107	8.0.9.01090	113, 115, 117, 125, 127	803-020C	135, 153, 155, 157
330-220S81	13	359474	55, 83, 89, 111	8.1.1.00109	119, 129	803-022C	141
330-220S82	13	362428	89	8.1.1.00501	113, 115, 117, 125, 127	803-025C	29
330-220S83	13	362430	55	8.2.2.00555	9, 13		
330-222H	21	364915	55	8.2.2.00560	113, 115, 117, 125, 127		
330-223H	23, 25	365305	55, 79, 83, 89, 107, 111	8.4.7.01045	113, 115, 117, 125, 127		
330-224K	29			8.4.7.02265	113, 115, 117, 125, 127		
330-225A	25	377436	83, 111				
330-234K	41	377437	55, 83, 89, 111				
330-235K	37	377442	89				
330-236K	45	380371	55, 89				
330-237K	39	387767	83, 111				
330-238K	35	387768	55				
330-239K	43	388415	79, 107				
330-253H	153	388957	89				
330-262H	157	389850	89				



# Part Number Index (continued)

Part Number	Page	Part Number	Page	Part Number	Page	Part Number	Page
803-030C	27, 29	810-152C	147	826-183C	9, 87	890-400C	35, 37, 41, 43, 45
803-031C	27	810-162C	135, 137, 139,	826-184C	9, 53	890-672C	43, 45
803-032C	29		141	826-185C	13, 77, 79, 105,	890-786C	21
803-037C	10, 13, 17, 19,	810-167C	149		107	890-806C	23
	23, 25, 27, 35,	810-402C	149	826-247C	9, 55	890-850C	27
	37, 39, 41, 43,	810-644C	135, 143	826-315C	9, 13, 125	890-862C	19
	45, 47, 49, 135,	810-818C	135	826-315C81	9, 14	890-970C	21, 31, 33
	153, 155, 157	811-008C	149	826-315C82	9, 14	890-974C	29
803-053C	31, 33	811-021C	147	826-315C83	9, 14	891-177C	31
803-084C	29	811-063C	135	826-316C	14, 127	92-24406	61, 93
803-168C	19, 153, 155, 157	811-088C	147	826-316C81	14	92-25075	63
803-169C	31	811-290C	149	826-316C82	14	93-24406	93
803-170C	7	811-315C	145	826-316C83	14	93-25023	61
803-181C	19	811-337C	135	826-317C	14, 113	93-25075	63
803-198C	13, 49	811-356C	135	826-317C81	14	96-24406	61, 93
803-234C	139, 143	811-358C	147, 149	826-317C82	14	96-25075	63
803-255C	9	811-359C	149	826-317C83	14	97-24406	93
803-258C	19, 23, 25, 27	811-360C	147, 149	826-318C	9, 115	97-25023	61
803-263C	9	811-394C	135, 145	826-318C81	9	97-25075	63
803-271C	31, 33	811-619C	135	826-318C82	9	98-24406	61, 93
803-280C	69, 99	811-633C	135, 145	826-318C83	9	98-25075	63
803-299C	9, 13, 153, 155,	814-265C	31, 33	826-319C	14, 117	99-24406	61, 63, 93
	157	814-284C	31, 33	826-319C81	14	99-208R	43, 45
803-301C	19, 27	814-286C	31, 33	826-319C82	14	A.709.500	129
803-304C	17, 19, 23, 25, 27	814-287C	31, 33	826-319C83	14	dwg11196	149
803-310C	31, 33	814-292C	31, 33	826-476C	9, 91	dwg11421	137, 139
803-316C	21, 29	814-293C	31, 33	826-477C	9, 57	dwg15497	53
803-381C	31	814-294C	31, 33	826-478C	9, 51, 85	dwg15521	75, 103
804-007C	9	814-378C	31, 33	826-481C	13, 81, 83, 109,	dwg15523	73
804-009C	9, 13	814-379C	31, 33		111	dwg15570	87
804-010C	9, 13	815-243C	31, 33	826-486C	9, 14, 113, 115,	dwg18548	89
804-012C	9	815-292C	31		117, 125, 127	dwg18549	55
804-013C	13, 123, 133	815-308C	33	826-497C	9, 129	dwg19893	147
804-015C	135, 143, 153,	816-246C	49	826-499C	9, 59	dwg21167	113, 115, 125
	155, 157	816-456C	47	826-520C	9, 129, 131, 133	dwg21171	117
804-016C	31, 143	816-481C	9	826-520C81	9	dwg21771	127
804-017C	10, 135, 153,	816-497C	31, 33	826-520C82	10	dwg23947	91
	155, 157	816-606C	47	826-520C83	10	dwg23948	57
804-022C	10, 31, 33	816-607C	47	826-521C	10, 119, 121	dwg23952	51, 85
804-023C	10	816-608C	49	826-521C81	10	dwg23953	81, 109
804-025C	19, 23, 25	817-259C	9	826-521C82	10	dwg23957	65, 95
804-027C	29	818-045C	151	826-521C83	10	dwg23958	67, 97
804-028C	21, 27	818-130C	151	826-581C	77, 105	dwg23960	59
804-029C	10, 29, 31, 135	818-142C	151	826-587C	89	dwg23996	77, 105
804-030C	29	818-190C	151	826-603C	55	dwg24645	7
804-147C	7	818-229C	151	826-643C	9, 93	dwg25519	145
804-158C	121, 131	818-230C	151	826-644C	9, 61	dwg25681	131
804-171C	19, 27	818-268C	151	826-645C	9, 63	dwg25682	121
804-216C	31, 33	818-276C	151	826-648C	13	dwg25900	141
805-032C	137	818-540C	55, 77, 89, 105	838-094C	151	dwg25919	83, 111
805-045C	9, 23, 25	818-543C	151	838-586C	151	dwg25920	79, 107
805-058C	31	818-552C	55, 77, 89, 105,	838-588C	151	dwg25961	71, 101
805-083C	23, 25		151	838-637C	151	dwg25962	69, 99
805-088C	135, 143	818-556C	151	838-642C	151	dwg26541	47
805-104C	10, 29, 31, 135	818-561C	151	838-959C	151	dwg26542	49
805-105C	9, 13, 19, 27	818-564C	151	840-273C	10, 14	dwg26543	39
805-124C	135, 137, 139,	818-680C	151	841-283C	135	dwg26544	41
	143	818-830C	151	848-088C	151	dwg26545	35
805-131C	10, 135	818-840C	151	848-122C	151	dwg26547	37
805-195C	135	818-862C	151	848-239C	151	dwg26548	43
805-246C	31, 33	818-900C	151	848-353C	151	dwg26549	45
805-292C	21, 31, 33	820-168C	7	848-354C	151	dwg26550	29
805-309C	9	820-169C	7, 153, 155	848-355C	151	dwg26554	13
805-374C	29, 31	820-170C	7, 157	848-356C	151	dwg26555	9
806-006C	33	820-373C	153, 155, 157	848-357C	151	dwg26556	21
806-207C	31	820-377C	153, 155, 157	848-358C	151	dwg26557	25
807-073C	10, 135	822-020C	31, 33	890-005C	27	dwg26558	17
807-271C	31	822-021C	31, 33	890-175C	35, 39, 43	dwg26569	19
810-015C	143	822-033C	31, 33	890-182C	21	dwg26570	23
810-146C	137	822-034C	31, 33	890-341C	35, 37, 39, 41,	dwg26571	27
810-149C	139	826-112C	9, 89		43, 45	dwg26642	31





## Part Number Index (continued)

<u>Part Number</u>	<u>Page</u>
dwg26643 .....	33
dwg26644 .....	135
dwg26663 .....	143
dwg26672 .....	157
dwg26673 .....	155
dwg26674 .....	153
dwg26706 .....	133
dwg26707 .....	123
dwg26713 .....	151
dwg26959 .....	129
dwg26960 .....	119
dwg30185 .....	93
dwg30187 .....	61
dwg30189 .....	63
HM.243 .....	79, 107
N/A .....	13, 141, 143
U0.125.0531.00 .....	113, 115, 117, 125, 127
U0.125.1301.00 .....	113, 115, 117, 125, 127
U0.125.2050.00 .....	113, 115, 117, 125, 127
U0.125.3002.00 .....	113, 115, 117, 125, 127
U0.125.5003.00 .....	113, 115, 117
U0.125.5005.00 .....	125, 127
U0.125.6003.00 .....	113, 115, 117
U0.125.6004.00 .....	125, 127
U0.125.7100.00 .....	113, 115, 117, 125, 127



Great Plains Manufacturing, Inc.

Corporate Office: P.O. Box 5060  
Salina, Kansas 67402-5060 USA

[www.landpride.com](http://www.landpride.com)

## Free Manuals Download Website

<http://myh66.com>

<http://usermanuals.us>

<http://www.somanuals.com>

<http://www.4manuals.cc>

<http://www.manual-lib.com>

<http://www.404manual.com>

<http://www.luxmanual.com>

<http://aubethermostatmanual.com>

Golf course search by state

<http://golfingnear.com>

Email search by domain

<http://emailbydomain.com>

Auto manuals search

<http://auto.somanuals.com>

TV manuals search

<http://tv.somanuals.com>