

Specifications & Capacities

Rotary Cutters, Folding Deck

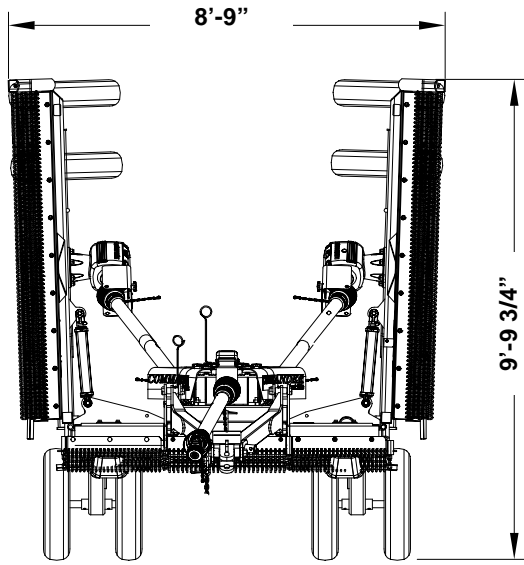
RC5020 and RCM5020 Series

	RC5020 & RCM5020
Min. PTO Horse Power	70
Gear Box Horsepower	250 HP Splitter 210 HP Center & wing
Gear Box Lubrication	Gear Lube 80-90W EP
Cutting Capacity	Up To 3" Material
Machine Weight	6,528 lbs. Approx. (With single row chain guards, 6 laminated tires, dual axle, 540 CV main driveline)
Blade Tip Speed @ 540 RPM	Center blade: 17,377 FPM Wing blade: 17,329 FPM
@ 1000 RPM	Center blade: 18,165 FPM Wing blade: 18,317 FPM
Tongue Weight	2300 lbs.
Hitch Jack	Standard hand crank
Hitch Type	Pull-Type, Self-Leveling Hitch & Clevis
Cutting Width	20'-0"
Overall Width	20'-9 1/2"
Minimum Transport Width	8'-9"
Overall Length	19'-3"
Deck Height	10 1/2"
Cutting Height	2" to 14" High with hydraulic cylinder and stroke control spacers
Deck Material Thickness	3/16"
Side Skirt Thickness	1/4"
Skid Shoes	Wing and Weight Box: Reversible & replaceable Center Deck: 2 - Replaceable
Blades - 6 (2 per Carrier)	1/2" x 4" Thru-harden free swinging alloy steel with uplift
Blade Overlap	6"
Blade Bolt	Keyed with hardened flat washer & lock nut
3/16" Stump Jumper	3/16" Round dish shaped bolt-on stump-jumper with 1" diamond shaped blade bar
Deck Ring	Optional 1/2" x 3" fully welded
Front & Rear Guards	Optional rubber, single chain or double chain
Heavy Duty Input Driveline Options	Conventional u-joint ASAE Category 5 with 1 3/8"-21 spline Constant velocity u-joint ASAE Category 5 with 1 3/8"-21 spline or 1 3/4"-20 spline
Heavy Duty Connecting Drivelines	ASAE Cat. 5 with slip-clutch protection
Tire Options	6" x 21" Laminated tires or 27" x 7.75" x 15" Used aircraft tires w/wo foam filling or 15" Rims
Wheel Options	6 or 8 Wheels
Transport Axle	Spring-cushioned on center transport axle
Hubs	Cast iron 5-bolt hubs with tapered roller bearings and with 1 3/4" shafts
Shredder Blades (optional)	Cuts material into smaller pieces
Colors	Standard color: Beige Optional colors: Green or Red

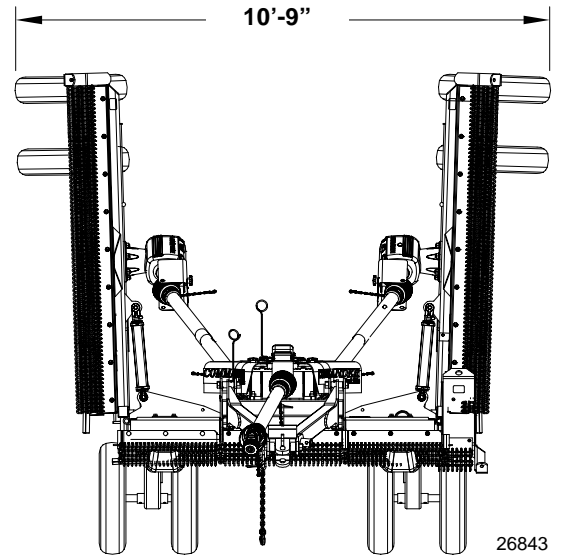
Designs, specifications, features and information are subject to change without notice.

Specifications & Capacities

Rotary Cutters, Folding Deck- RC5020 & RCM5020

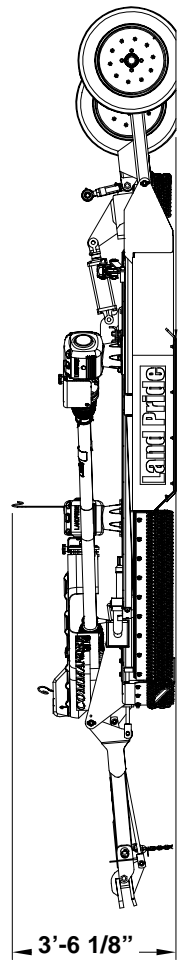
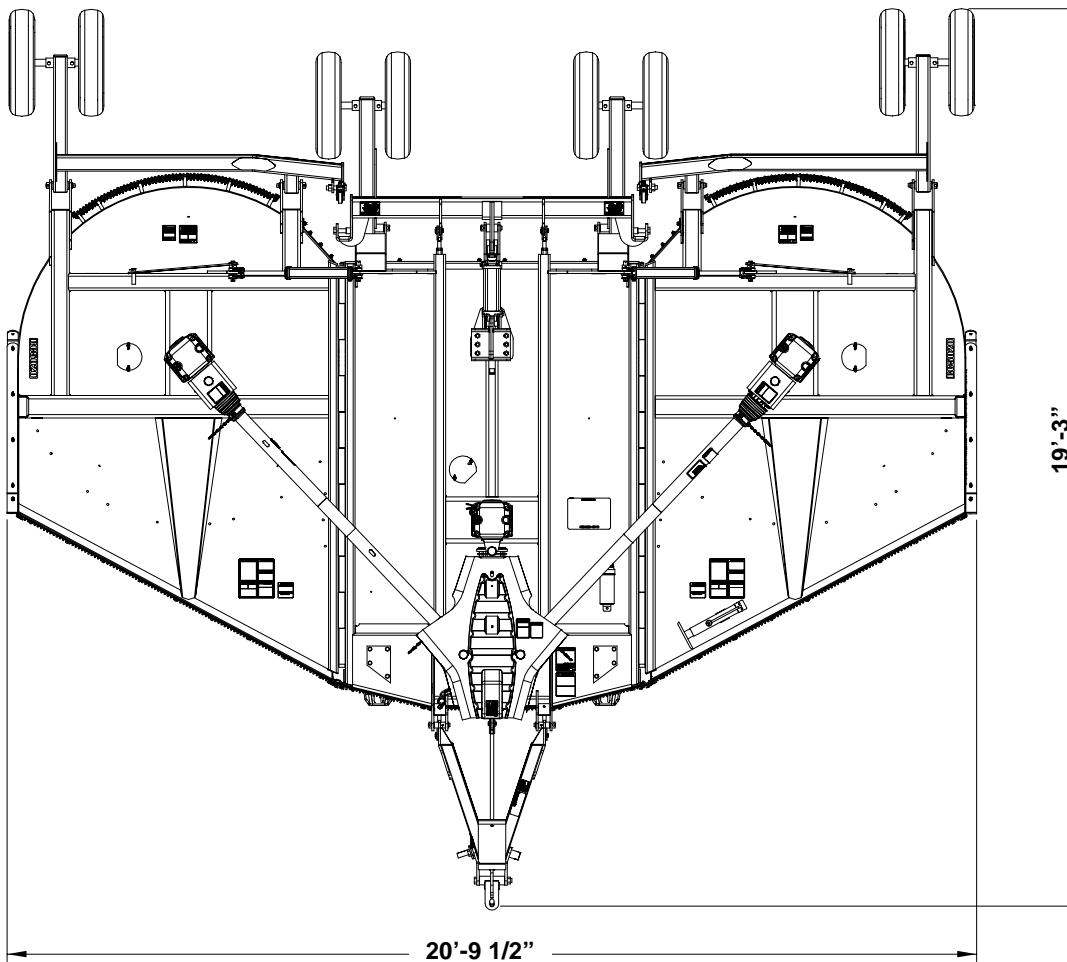


Transport Width With Wing Axles Disconnected At The Turnbuckles And Wheels Folded Back



Transport Width With Wing Axles Connected At The Turnbuckles

26843



At 2" Cutting Height

26841

Designs, specifications, features and information are subject to change without notice.

Free Manuals Download Website

<http://myh66.com>

<http://usermanuals.us>

<http://www.somanuals.com>

<http://www.4manuals.cc>

<http://www.manual-lib.com>

<http://www.404manual.com>

<http://www.luxmanual.com>

<http://aubethermostatmanual.com>

Golf course search by state

<http://golfingnear.com>

Email search by domain

<http://emailbydomain.com>

Auto manuals search

<http://auto.somanuals.com>

TV manuals search

<http://tv.somanuals.com>