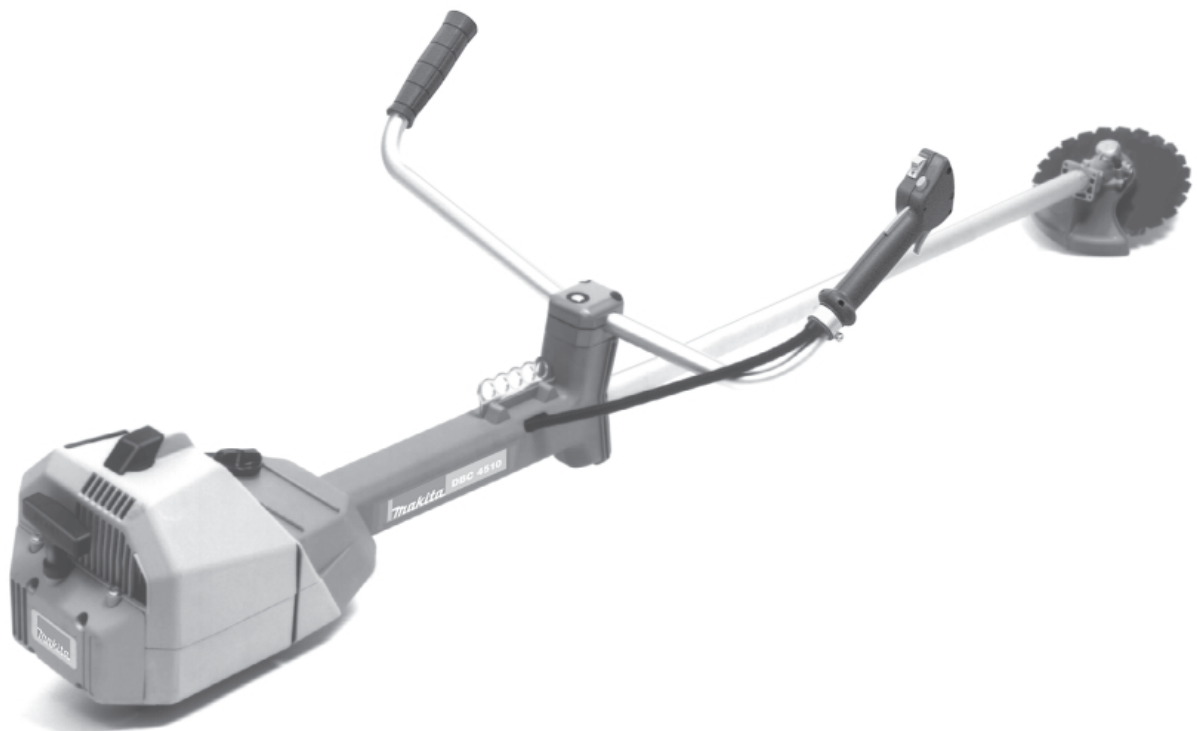




**Owner's and Safety Manual** (pages 2-25)

**Manuel d'emploi et de sécurité** (pages 26-49)

**Manual de empleo y de seguridad** (página 50-73)



**DBC3310**

**DBC4010**

**DBC4510**

**Warning:**

Read and understand this Owner's and Safety Manual. Always follow safety precautions in the Owner's and Safety Manual. Improper use can cause serious injury! The engine exhaust from this product contains chemicals known to the State of California to cause cancer, birth defects or other reproductive harm. Keep this Owner's and Safety Manual!

**Attention:**

Suivez toujours les conseils de sécurité du présent manuel d'emploi et de sécurité. Une utilisation incorrecte de la débroussailleuse peut entraîner des blessures graves! Conservez avec soin ce manuel. Les gaz d'échappement émis par ce produit contiennent des produits chimiques connus par l'Etat de Californie pour provoquer le cancer, des défauts de naissance ou autres dommages de reproduction. Lisez et comprenez ce manuel.

**Advertencia:**

Observe siempre las instrucciones de seguridad contenidas en el manual. Lea y compenétrese con el contenido del manual. El uso inadecuado de la desbrozadoras puede causar lesiones de gravedad. Los gases de escape del motor de este producto contienen sustancias químicas conocidas en el Estado de California como causantes de cáncer, defectos genéticos y otros problemas relacionados con la reproducción. Conserve este manual cuidadosamente.

## Thank you for choosing a MAKITA product!

We trust that you will be a satisfied customer. By choosing a MAKITA you have chosen one of the most advanced brushcutters.

The DBC 3310, DBC4010 and DBC4510 brushcutters combine the benefits of state-of-the-art technology with ergonomic design, and are professional machines intended for all types of use.

The high-efficiency engine is the heart of the brushcutter, and has been completely redesigned. Special cylinder geometry, computerized control times, and maintenance-free electronic ignition give high performance with low fuel consumption.

The drive shaft is designed for continuous heavy-duty use, with 9 bearings and a tough centrifugal clutch. The fuel tank is positioned forward, for the right c to make long jobs easier and less fatiguing.

Some of the other technical features of your MAKITA brushcutter are:

### - Precision-tuned vibration damping

Four conical hollow absorption elements, between the engine and the main tube and between the engine and the tank unit with handles, reduce felt vibration to a minimum, for comfortable, untiring long-term working.

### - Multi-function handle

All important controls are located on the right handle for ease of operation.

### - Easy cutting-tool change

A new locking system developed by MAKITA allows you to lock the cutting tool for simple, safe blade changing.

### - High-efficiency noise reduction

The completely encapsulated engine and the resonator-chamber intake muffler make this brushcutter remarkably quiet.

The following industrial property rights apply: US 512606, EP 0438611, EP 0696414, GBM 9106194, GBM 9412925.

To ensure your own safety and to get the maximum performance out of your MAKITA brushcutter, we urge you to

**read this instruction manual carefully before putting the brushcutter into operation and strictly observe all of the safety regulations. Failure to do so can result in serious injury to the operator and/or bystanders.**



## Packing

Your MAKITA brushcutter comes in a cardboard box to protect it from shipping damage.

Cardboard is a raw material. We encourage you to re-use the box or recycle it (waste paper).



<b>Table of contents</b>	Page
<b>Packing</b> .....	2
<b>Delivery inventory</b> .....	3
<b>Explanation of symbols</b> .....	3
<b>SAFETY PRECAUTIONS</b>	
General precautions .....	4
Personal protective equipment .....	4
Handling fuels / Refuelling .....	5
Putting into operation .....	5-6
Kickback .....	6
Working behavior / Method of working .....	7
Applications for cutting tools .....	7
Transport .....	7
Storage .....	7
Maintenance .....	8
First Aid .....	8
<b>Technical data</b> .....	9
<b>Components</b> .....	9

## PUTTING INTO OPERATION

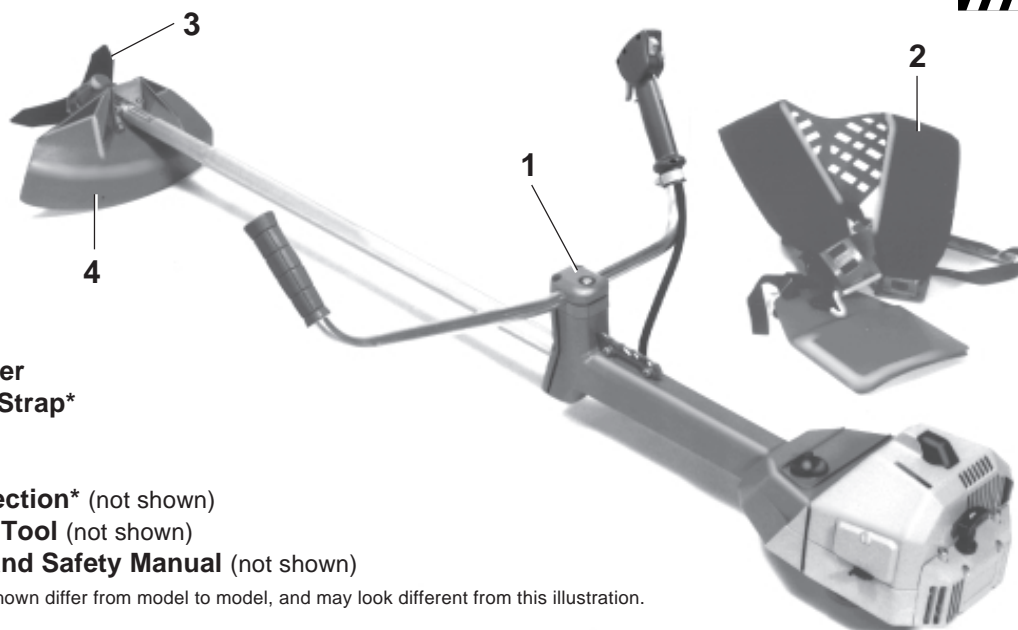
Mounting the tube handle .....	10
Installing the cutter guard .....	10-11
Installing the steel bush cutter, 8-tooth eddy blade or star blade .....	11-12
Installing the trimmer head .....	12
Installing the line cutter .....	12
Installing the metal cutter guard and chisel type saw blade .....	13
The gear box .....	13
Fuel mixture .....	14
Storage of fuel .....	14
Refuelling .....	14
Putting on the harness .....	15
Balancing the brushcutter .....	15
Starting the engine .....	16
Carburetor adjustment .....	17

## REPAIR AND MAINTENANCE WORK

Sharpening of cutting tools .....	18
Trimmer head .....	19
Starter cable replacement .....	19-20
Cleaning the air filter .....	20
Replacing/cleaning the spark arrestor screen .....	21
Inspecting and replacing the spark plug .....	21
Checking the muffler bolts .....	21
Suction head in the fuel tank .....	22
Muffler guard (for USA only) .....	22
Information about the gear box .....	22
Shutting down procedure and storage .....	22

<b>Service, spare parts and guarantee</b> .....	23-24
<b>Troubleshooting</b> .....	24
<b>Extract from the spare part list</b> .....	25
<b>Notes</b> .....	25
<b>Service centres</b> (see enclosure)	

## Delivery inventory



1. Brushcutter
2. Shoulder Strap\*
3. Cutter\*
4. Guard\*
5. Tool Protection\* (not shown)
6. Servicing Tool (not shown)
7. Owner's and Safety Manual (not shown)

\* The parts as shown differ from model to model, and may look different from this illustration.

If one of these parts is missing when you unpack the brushcutter, contact your dealer!

## Explanation of symbols

You will notice the following symbols on the brushcutter and in the Owner's and Safety Manual.

	<b>Read the Owner's and Safety manual and follow all warnings and safety instructions!</b>		<b>Carburetor adjustment</b>
	<b>Particular care and caution!</b>		<b>Choke</b>
	<b>Forbidden!</b>		<b>Start engine</b>
	<b>Wear protective gloves!</b>		<b>Stop engine!</b>
	<b>Wear safety shoes!</b>		<b>No smoking!</b>
	<b>Wear protective helmet, face, eye and hearing protection (eye protection must comply with ANSI Z87-1)!</b>		<b>No open flame!</b>
	<b>The distance between the machine and bystanders shall be at least 50 feet!</b>		<b>Fuel and oil mixture</b>
	<b>DANGER: Beware of thrown objects!</b>		<b>First aid</b>
	<b>CAUTION: Kickback! (blade thrust)</b>		<b>Recycling</b>
	<b>Maximum tool rpm</b>		
	<b>Direction of blade rotation</b>		

## SAFETY PRECAUTIONS

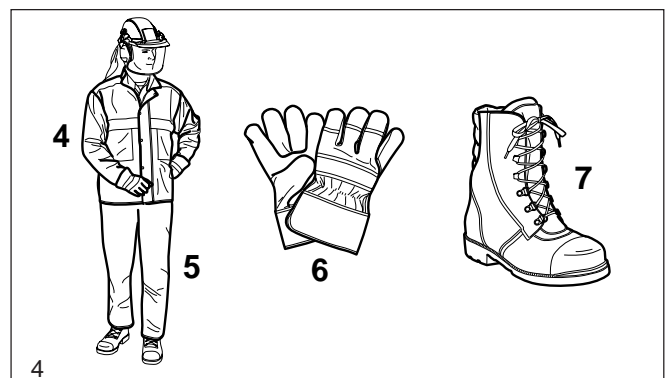
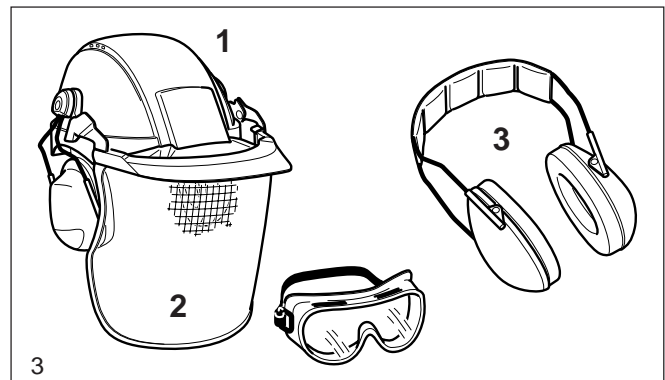
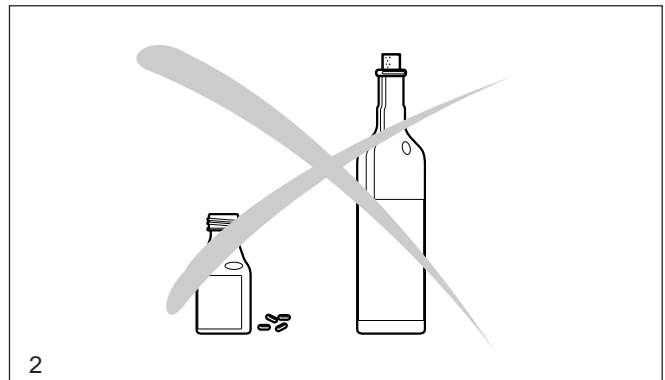
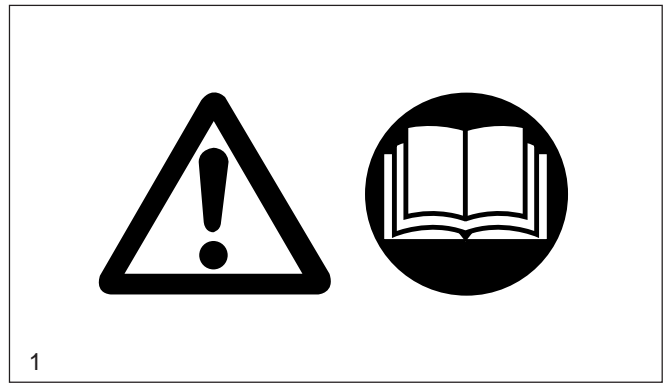
### General precautions

To ensure correct operation, the user has to read this instruction manual to make himself familiar with the handling of the brushcutter. Insufficiently informed users will risk danger to themselves as well as others due to improper handling (1).

- It is recommended only to lend the brushcutter to people who have experience with brushcutters. When lending the brushcutter to someone else, give him this Instruction Manual as well.
- First-time users should ask their dealer for basic instructions, or contact a forestry school. To familiarize yourself with the basic handling of gasoline-powered brushcutting, start out with trimming jobs before moving up to sawing.
- Children and persons under 18 years must not be allowed to operate the brushcutter with metal cutting tools (such as saw blades, steel bush cutter, star blades etc.). Exceptions may be made for persons over 16 for training purposes under the supervision of a qualified trainer.
- Always use brushcutters with the utmost care and attention.
- Operate the brushcutter only if you are in good physical condition. Perform all work calmly and carefully. The user must accept liability for others.
- Never use the brushcutter after consumption of alcohol, drugs or medication (2).

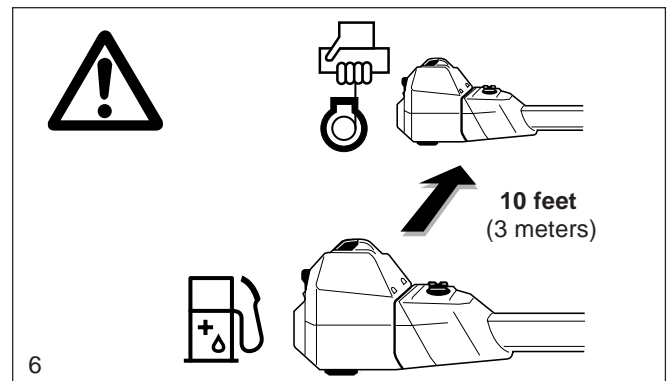
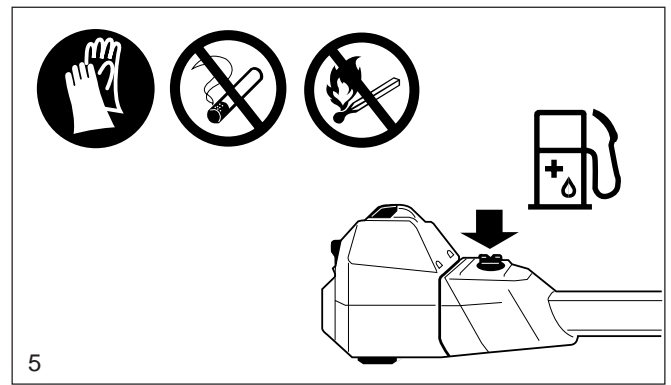
### Personal protective equipment

- The clothing worn should be functional and appropriate, i.e. it should be tight-fitting but not cause hindrance. Do not wear either jewellery or clothing which could become entangled with bushes or shrubs.
- **In order to avoid head-, eye-, hand- or foot injuries as well as to protect your hearing, the following protective equipment and protective clothing must be used during operation of the brushcutter:**
- It is recommended to wear a protective helmet; it is imperative when working in forests. The **protective helmet** (1) should be checked at regular intervals for damage and must be replaced after 5 years at the latest. Use only approved protective helmets. If you have long hair, always wear a hairnet!
- The **face shield** (2) of the protective helmet protects against flying sawdust, wood chips or stone chip-pings. During operation of the brushcutter always wear goggles or a visor to prevent eye injuries.
- Wear adequate **noise protection** equipment to avoid hearing impairment ( ear muffs (3), ear plugs etc.). Octave band analysis upon request.
- The **forestry safety jacket** (4) is equipped with special red coloured shoulder parts. The arms and neck should always be protected by clothing.
- The **protective trousers** (5) are made from a nylon fabric with 22 layers and protects against cuts. We strongly recommend its use. In any case, it is essential that a long pair of trousers made of tough material be worn during operation of the brushcutter. Do not wear short pants.
- **Protective gloves** (6) made of thick leather are part of the prescribed equipment and must always be worn during operation of the brushcutter.
- **Safety shoes or boots** (7) fitted with anti-skid sole, steel toe caps and leg protection must always be used. Safety shoes equipped with a protective layer give protection against cuts and ensure a secure footing. Do not wear sandals or go barefoot.



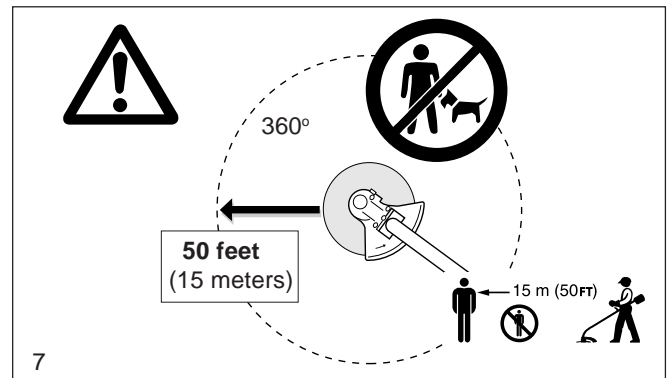
## Handling fuels / Refuelling

- Stop the engine before refuelling.
- Keep away from open flame or sparks and do not smoke while refuelling or mixing fuel (5).
- Let the engine cool down before refuelling.
- Fuel may contain substances similar to solvents. Eyes and skin should not come in contact with mineral oil products. Always wear protective gloves when refuelling (5). Frequently clean and change protective clothes. Do not breathe in fuel vapors. Inhalation of fuel vapours can be hazardous to your health.
- Before refuelling the brushcutter make sure it is in a stable position.
- Do not spill fuel or oil. When you have spilt fuel or oil immediately clean the brushcutter. Fuel should not come in contact with clothes. If your clothes come in contact with fuel, change them at once.
- Ensure that no fuel ooze into the soil (environmental protection). Use an appropriate base.
- Refuelling is not allowed in closed rooms. Fuel vapors will accumulate near the floor (explosion hazard).
- Carefully tighten the locking screw of the fuel tank and inspect the fuel cap at regular intervals.
- Change the place before starting the engine at least 10 feet (3 meters) from the place of refuelling (6).
- Fuel cannot be stored for an unlimited period of time. Buy only as much as will be consumed in the near future.
- Use only approved and marked containers for the transport and storage of fuel. Ensure children have no access to fuel.

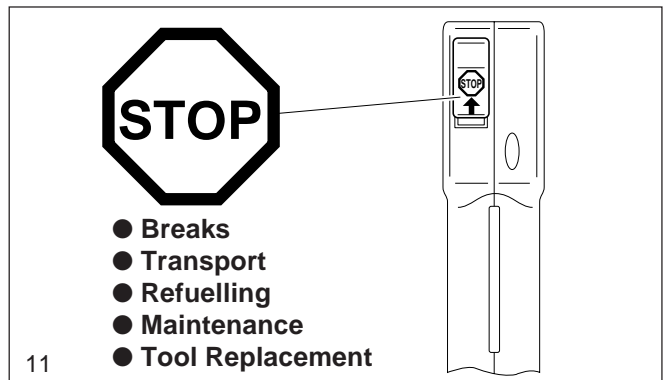
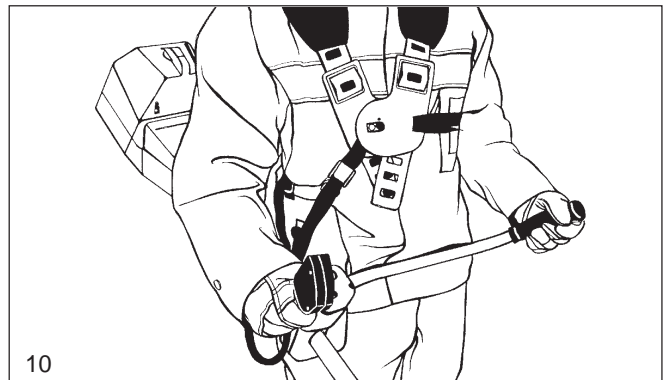
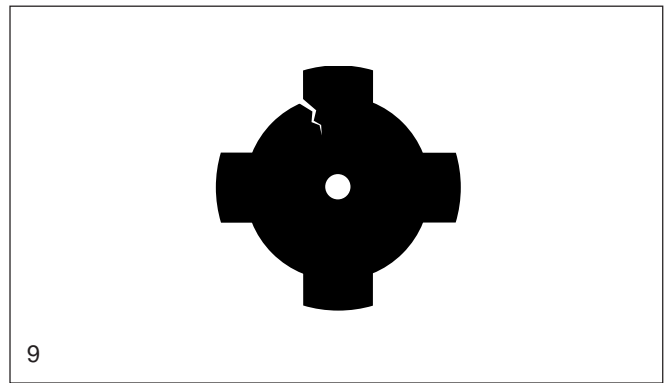


## Putting into operation

- **Do not work alone. Another person must be nearby in case of emergencies** (within shouting distance).
- Children and other persons must remain more than 50 feet (15 meters) from the working area. Keep an eye out for animals as well (7).
- **Before use always check that the brushcutter is safe for operation:**  
Make sure the cutting tool is securely installed. The throttle must automatically return to the off position when released, and the throttle lever lock must work properly. The cutting tool must not turn during idling. The handles should be clean and dry. The on/off switch must function properly. The guard must be undamaged and securely installed in the correct position. **Otherwise you are in danger of injury!**
- Start the brushcutter only in accordance with the instructions. **Do not use any other methods for starting the engine (8)!**
- Use this brushcutter and its cutting tools only for the uses they are intended for as specified in the documentation.
- Never use, for example, wire or wire-rope which can break off and become a dangerous projectile. Use only flexible, non-metallic line recommended in this manual.
- **Start the brushcutter only after complete assembly and inspection. Operation of the device is only permitted after all the appropriate accessories are attached!**
- **The cutting tool must be equipped with its appropriate guard. Never run the cutter without this guard!**
- The cutting tool must not turn during idling. If necessary adjust the idling speed.



- Before starting, make sure that the cutting tool has no contact with hard objects such as branches, stones etc.
- The engine must be switched off immediately if there are any noticeable changes in the behaviour of the equipment.
- Should the cutting tool hit stones or other hard objects, immediately switch off the engine and inspect the cutting tool.
- Inspect the cutting tool at frequent intervals for damage (detect hairline cracks by means of tapping - noise test). Hairline cracks can occur in the region of the base of the teeth (9) after long use. **Damaged cutting tools and cutting tools with hairline cracks must not be used any longer under any circumstances.**
- Operate the brushcutter only with the shoulder strap attached, which is to be suitably adjusted before putting the brushcutter into operation (10). It is essential to adjust the shoulder strap according to the user's size to prevent fatigue during use. Never hold the cutter with one hand during use.
- When working with the brushcutter always hold it with both hands (10). Keep cutting attachment below waist level. **Keep proper footing and balance at all times.**
- Operate the brushcutter in such a manner as to avoid inhalation of the exhaust gases. Do not start or operate the brushcutter in closed rooms (risk of gas poisoning). Carbon monoxide is an odorless gas; breathing exhaust fumes can kill. Work only in well-ventilated places.
- When taking a break or leaving the brushcutter unattended, turn off the engine (11), make sure the cutting attachment has stopped and set the brushcutter down in such a way that there is no risk of injury to yourself or others.
- Never put the hot brushcutter onto dry grass or onto any combustible materials.
- Shut off the engine during transport or when moving on to a new location (11).
- Never operate the engine with a faulty exhaust muffler. If the spark arrestor screen is damaged, replace it immediately. The use of the brushcutter with a damaged spark arrestor can cause bushfires!



### Kickback (Blade Thrust)

When operating the brushcutter, uncontrolled kickback may occur.

This particularly the case when cutting in the area between 12 and 2 (12).

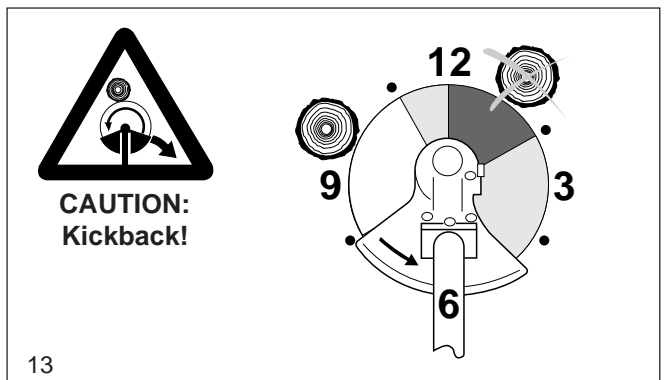
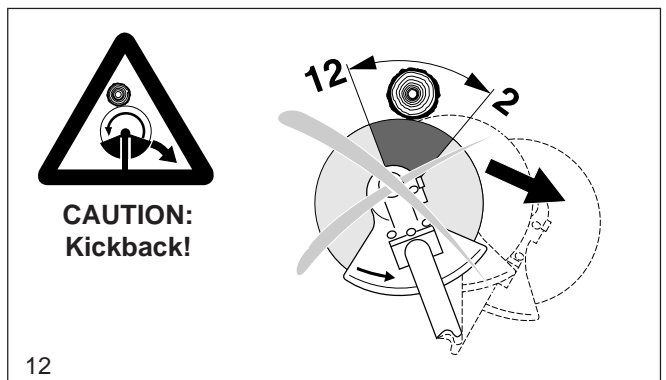
**Never start a cut in this area when cutting hard objects such as brush, bushes etc.**

If you do this, the brushcutter will be thrown to one side at high speed and with great force. **High risk of injury!**

**Never start a cut in the area between 12 and 2 (Fig. 12).**

**Kickback prevention (13):**

- **To avoid kickbacks, observe the following:**
- Always watch what you're doing! Be careful when continuing cuts started previously.
- The cutting tool must be turning at full speed before starting cuts.
- There is a high risk of injury in the area between 12 and 2, especially when using metal cutting blades.
- Cuts in the areas between 11 and 12 and between 2 and 5 should be performed only by trained operators and at their own risk.
- Easy, low-kickback cutting is possible in the area between 8 and 11.



## Working behavior / Method of working

- Use the brushcutter only in good light and visibility. During the winter season beware of slippery or wet areas, ice and snow (risk of slipping). Always ensure a safe footing.
- Never cut above your shoulder height.
- Never stand on a ladder and run the brushcutter.
- Never climb up into trees to perform cutting operations with the brushcutter.
- Never work on unstable surfaces.
- Make sure the cutting area is free of foreign objects such as stones and metal items. Foreign particles can rebound (danger of injury, 14), damage the cutting tool and cause dangerous kickbacks.
- Before commencing cutting, the cutting tool must have reached full working speed.

## Applications for cutting tools

Employ only the correct cutting tool for the job in hand (15)! Do not use tools for jobs they are not designed for.

### 2-line -/ 4-line trimmer head:

Exclusively for cutting along walls, fences, grass edges, trees, posts etc. (supplementing the lawn mower).

### 8-tooth eddy blade, 4-tooth star blade, steel bush cutter:

For cutting thicker materials like weeds, tall grass, bushes, shrubs, mixed growth, thickets, etc. with stems up to 2 cm (3/4") thick. Perform this cutting work by swinging the brush cutter evenly in half-circles from left to right (similar to a scythe) (16).

### Chisel type saw blade:

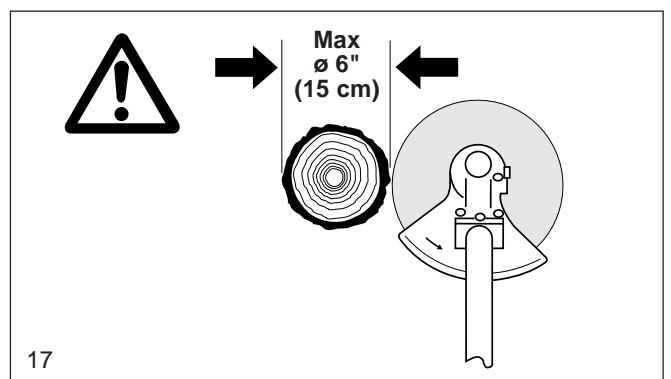
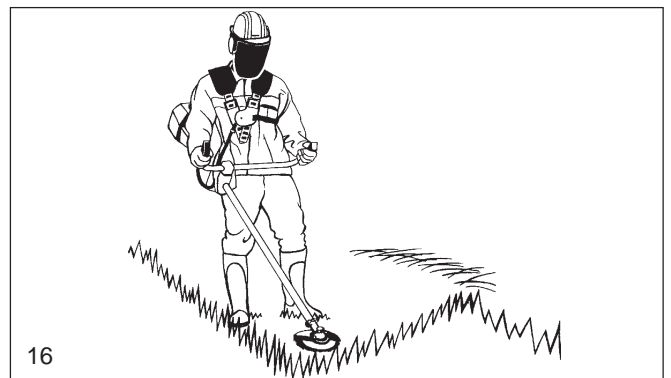
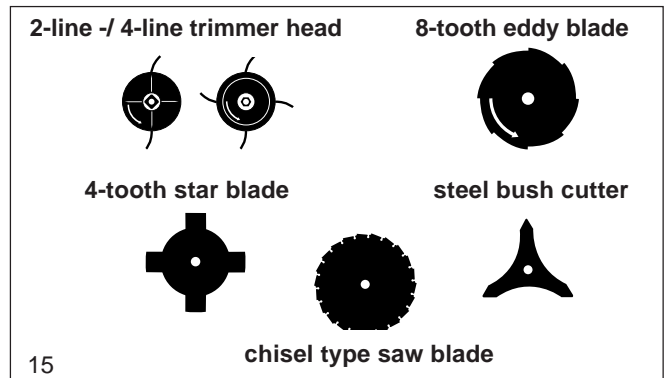
For forestry cleanup work and for harvesting small trees with trunks up to 6" (15 cm) thick (17). Apply even pressure when cutting.

## Transport

- **When transporting the equipment or moving to another working location, the brushcutter must be switched off in order to avoid unintentionally starting the cutting tool.**
- **Never carry and transport the brushcutter when the cutting tool is in operation!**
- The tool protection included with the equipment must always be used if the brushcutter is transported over longer distances.
- Ensure that the brushcutter is safely secured so that no fuel can run out before transporting it in a vehicle. Empty the fuel tank before transporting the brushcutter.
- Before shipping the brushcutter, completely empty the fuel tank.

## Storage

- The brushcutter must be safely stored in a dry room. Use the tool protection for metal cutting tools. Keep the brushcutter out of reach of children.
- If the brushcutter is stored for a long period of time, it should be given a thorough maintenance check and a complete inspection at an authorized MAKITA service centre.
- If the brushcutter is stored for a long period of time, the fuel tank should be completely emptied and the carburetor run dry. Fuels may only be stored for a limited period of time and could cause deposits to form in the tank or in the carburetor.
- Fuel remains in reserve canisters should be used for other engines or disposed of.



## Maintenance

- Always make sure the brushcutter is in good working order before using it. This includes in particular the cutting tool, guard, harness and fuel system (check for leaks). Particular attention must be paid to the cutting blades, which must be correctly sharpened.

**CAUTION: Metal cutting tools must be sharpened only at an authorized service centre!**

**A tool which has been improperly sharpened can cause unbalance and thus considerable danger of injury. Apart from this, the equipment may be damaged due to vibrations.**

- When changing the cutting tool, cleaning the brushcutter and the cutting tool etc., **it is essential to switch off the engine and pull the spark plug cap.**
- Replace cracked, bent, warped, damaged or dull cutting tools immediately. Never straighten or weld damaged cutting tools.
- Operate the brushcutter with as little noise and pollution as possible. In particular check the correct setting of the carburetor.
- Clean the brushcutter at regular intervals and check that all screws and nuts are well tightened.
- Never service or store the brushcutter near open flames (18)!
- Always store the brushcutter in a locked storage area, with the fuel tank completely empty and the carburetor run dry. Keep the brushcutter out of reach of children.

**Observe the accident prevention instructions issued by the relevant trade associations and insurance companies. Do not make any modifications to the brushcutter - you will only be putting your own safety at risk!**

The performance of maintenance or repair work by the user is limited to those activities described in this instruction manual. All other work must be done by the MAKITA customer service (19).

**Use only original MAKITA spares and accessories.**

The use of non-MAKITA spares, accessories, or cutting tools increases the risk of accident. MAKITA will not accept any liability for accidents or damage caused by the use of non-approved cutting tools and fixing devices of cutting tools, or accessories.

## First Aid

A first-aid kit should always be nearby as a precaution in the event of an accident.

Immediately replace any items taken from the first aid kit.

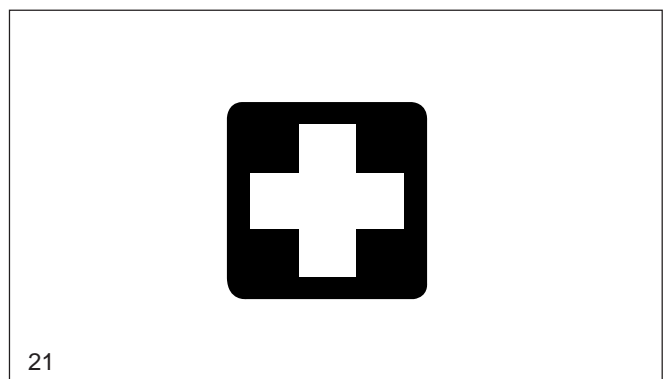
**When calling for help, give the following information:**

- Place of accident
- What happened
- Number of persons injured
- Nature of injuries
- Your name

## NOTE

Individuals with poor circulation who are exposed to excessive vibration may experience injury to blood vessels or the nervous system.

Vibration may cause the following symptoms to occur in the fingers, hands or wrists: "Falling asleep" (numbness), tingling, pain, stabbing sensation, alteration of skin colour or of the skin. **If any of these symptoms occur, see a physician!**





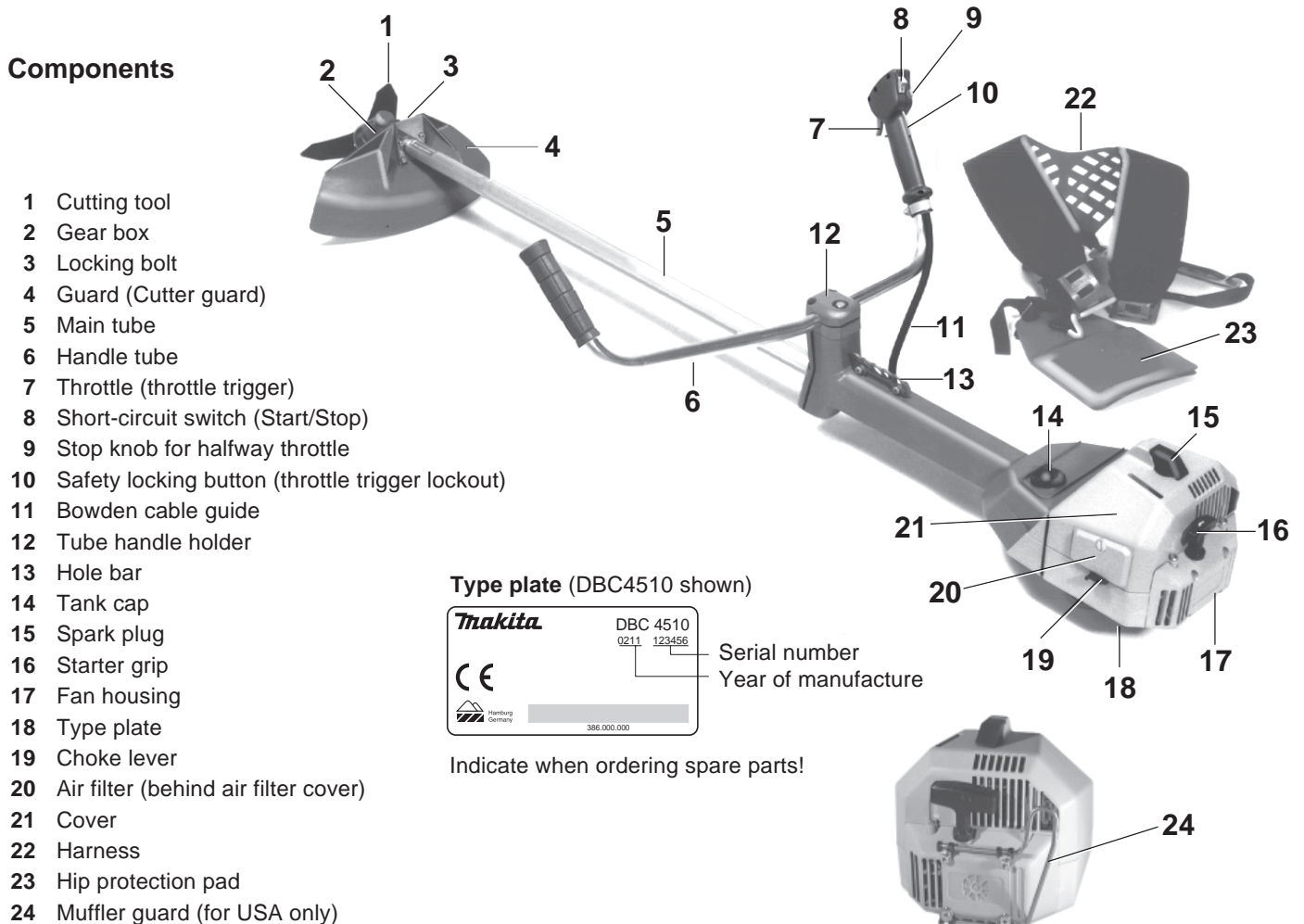
## Technical Data

		DBC3310	DBC4010	DBC4510
Displacement	cu. in	2.0 (33 cm <sup>3</sup> )	2.4 (39 cm <sup>3</sup> )	2.7 (45 cm <sup>3</sup> )
Bore	inch	1.46 (37 mm)	1.57 (40 mm)	1.69 (43 mm)
Stroke	inch	1.22 (31 mm)	1.22 (31 mm)	1.22 (31 mm)
Rated capacity per ISO 8893	kW	1.6	1.8	2.3
Operating speed	rpm	9,000	9,000	9,000
Max. engine speed with one-part metal cutting tool <sup>1)</sup>	rpm	13,500	13,500	13,500
Maximum speed of the tool spindle with one-part metal cutting tool <sup>1)</sup>	rpm	10,400	10,400	10,400
Idling speed	rpm	2,500	2,500	2,500
Clutch engagement speed	rpm	3,500	3,500	3,500
Sound pressure level at the operators ear <sup>3)</sup>	dB (A)	98 <sup>a)</sup> / 101 <sup>b)</sup>	98 <sup>a)</sup> / 102 <sup>b)</sup>	99 <sup>a)</sup> / 102 <sup>b)</sup>
Sound pressure level at the bystander's position (50 ft) <sup>3)</sup>	dB (A)	75 <sup>a)</sup> / 77 <sup>b)</sup>	76 <sup>a)</sup> / 78 <sup>b)</sup>	76 <sup>a)</sup> / 78 <sup>b)</sup>
Carburetor (diaphragm-carburetor)	Type	WALBRO WT-225 A	WALBRO WT-225 A	WALBRO WT-225 A
Ignition system	Type	Transistor ignition	Transistor ignition	Transistor ignition
Spark plug	Type	CHAMPION RCJ6Y	CHAMPION RCJ6Y	CHAMPION RCJ6Y
Electrode gap	inch	.020-.030 (0.5-0.8 mm)	.020-.030 (0.5-0.8 mm)	.020-.030 (0.5-0.8 mm)
Fuel consumption per ISO 8893 <sup>2)</sup>	kg/h	0.72	0.81	1.03
Specific consumption per ISO 8893 <sup>2)</sup>	g/kWh	450	450	450
Fuel tank capacity	oz.	31.7 (0.9 l)	31.7 (0.9 l)	31.7 (0.9 l)
Mixture ratio (Fuel/2-stroke oil)				
- when using MAKITA oil		50 : 1	50 : 1	50 : 1
- when using MAKITA HP 100-oil		100 : 1	100 : 1	100 : 1
- when using other oils		40 : 1	40 : 1	40 : 1
Gear ratio		1 : 1.3	1 : 1.3	1 : 1.3
Dimensions, assembled, length / width / height	inch	71.1 / 26.8 / 8.9	71.1 / 26.8 / 8.9	71.1 / 26.8 / 8.9
Total weight with plastic guard (without cutting tool)	lbs	17.42 (7.9 kg)	17.42 (7.9 kg)	17.42 (7.9 kg)

<sup>1)</sup> The maximum rated speed of the trimmer head is not exceeded when using a MAKITA trimmer head.

<sup>2)</sup> At max. power. <sup>3)</sup> According to ANSI B 175.3. <sup>a)</sup> With one-part metal cutting tool. <sup>b)</sup> With 2-line nylon cutting head.

## Components



## PUTTING INTO OPERATION

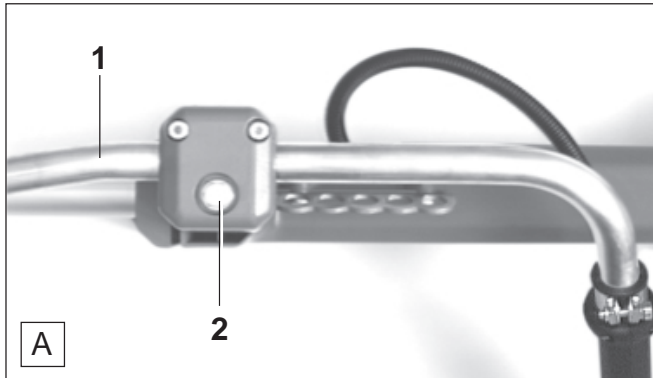


**CAUTION:** When working on the brushcutter always be absolutely certain to switch off the engine, pull the spark plug cap and wear protective gloves!

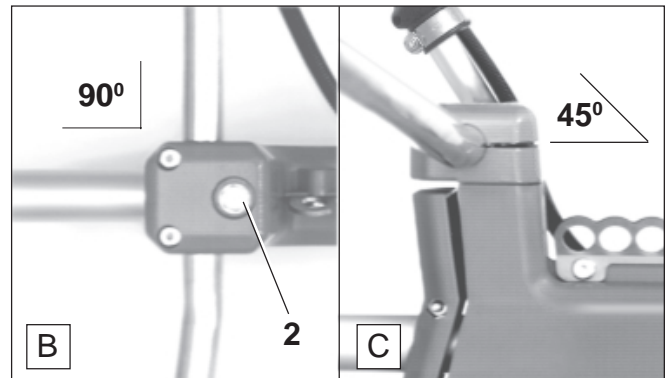
**IMPORTANT:** Do not start the brushcutter until fully assembled and inspected!

### Mounting the tube handle

The handle tube (A/1) comes fixed parallel to the main tube.



- Use the universal wrench to loosen the locking screw (A/2) (counter-clockwise) until it is possible to turn the tube handle through 90°.




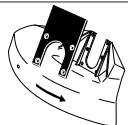

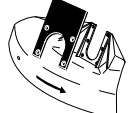


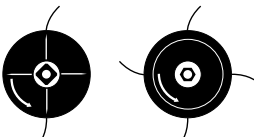
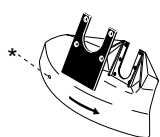


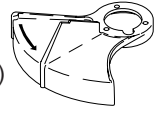
- After the tube handle has engaged in the 90° position, tighten the locking screw (B/2) a little, while still leaving it loose enough to allow further adjustment of the tube handle according to your size (See "Balancing the brushcutter").
- Move the handle tube into a position approximately 45° with respect to the main tube (C).

### Installing the cutter guard

**IMPORTANT:** Safety regulations and your own safety make it imperative to use the right cutter guard with a given cutting tool! Use only the combinations shown here, and when switching to a different cutting tool always change the cutter guard as well!

**WARNING:** Use only the cutting tools shown here! It is not permitted to use other cutting tools as this can increase danger of accidents and cause damage to the equipment!

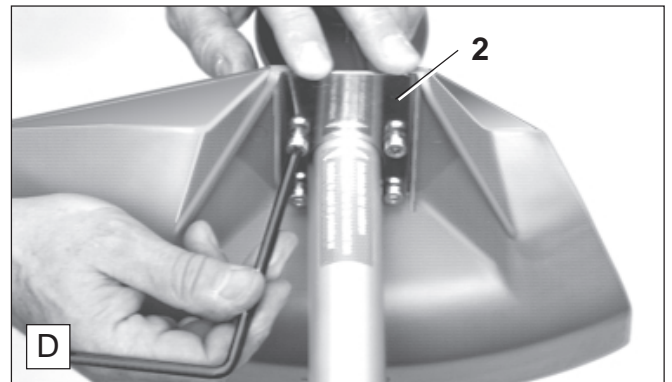
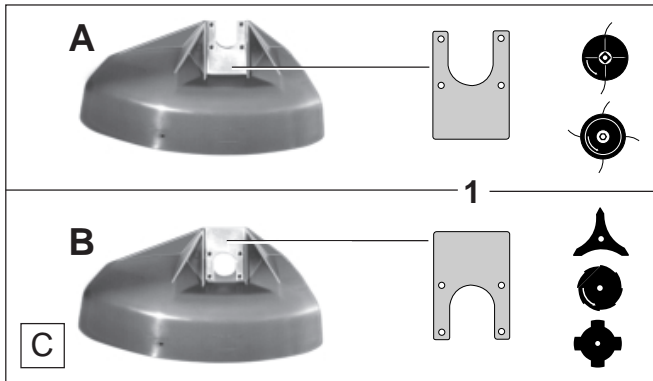
### Tool/guard combinations for the DBC3310, DBC4010 and DBC4510

Cutting tool	Cutter guard
<b>Steel bush cutter</b> , part no. 385 224 130 Outside diameter 300 mm (12"), arbour 20 mm	 Part no. 010 341 612 
<b>8-tooth eddy blade</b> , part no. 385 224 180 Outside diameter 255 mm (10"), arbour 20 mm	 Part no. 010 341 612 
<b>Star blade</b> , part no. 385 224 140 Outside diameter 255 mm (10"), arbour 20 mm	 Part no. 010 341 612 
<b>2-line trimmer head</b> , part no. 385 224 502 <b>4-line trimmer head</b> , part no. 385 224 541 Cutting range 400 mm (16"). Use only 2.4 mm (.095") replacement cutting line. 15 m part no. 369 224 670 120 m part no. 369 224 672	 part no. 010 341 612 * Install line cutter (knife), part no. 957 341 010! 
<b>Chisel type saw blade</b> , part no. 385 224 160 Outside diameter 225 mm (9"), arbour 20 mm	 part no. 010 341 640 (for 225 mm) Impressed: 385 341 045
<b>Chisel type saw blade</b> , part no. 385 224 170 Outside diameter 200 mm (8"), arbour 20 mm	 part no. 010 341 630 (for 200 mm) Impressed: 385 341 030 

**CAUTION:**

The cutter guard supplied must always be fitted in the right position, to ensure your personal safety and to meet legal accident prevention regulations.

Never use the brushcutter without a cutter guard installed!



The position of the mounting plate (C/1) will depend on the type of cutting tool in use (trimmer head or metal blade).

The position of the mounting plate determines whether the guard will be positioned higher or lower.

When using a trimmer (line) head apply the mounting position as shown in fig. A.

The mounting position as shown in fig. B is required for use with the following tools:

- Star blade
- 8-tooth eddy blade
- Steel bush cutter

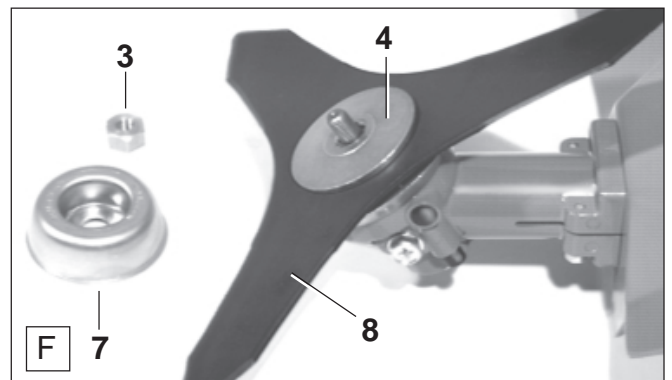
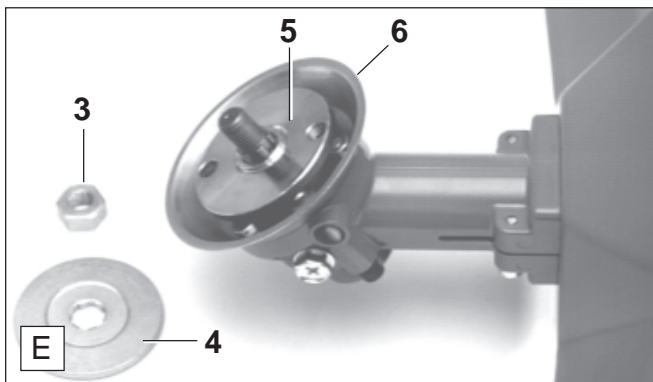
Always fix the metal cutter guard if a chisel type saw blade is used (refer to page 13).

- To install, lay the guard on the holder on the gear box. Place the mounting plate (D/2) on the guard in the appropriate position (A or B) for the type of cutting tool in use and tighten the installing screws with the Allen key as shown.

**Installing the steel bush cutter, 8-tooth eddy blade or star blade**



Always switch off the engine and disconnect the spark plug cap before mounting cutting tools! Wear protective gloves!



When using the blade cutting tools mentioned on the preceding page, install the cutter guard with the mounting plate in position B (see "Installing the cutter guard").

- Unscrew the locknut (E/3) from the shaft by turning it clockwise.

**Note: The locknut is provided with a left-hand thread!**

- Remove the pressure disk (E/4) and the locking disk (E/5).
- Tighten the winding guard (E/6) with the three screws provided.
- Put the locking disk (E/5) back on (make sure it is in the right position).

- Put on the cutting tool (F/8) and finally the pressure disk (F/4) as shown in the picture.



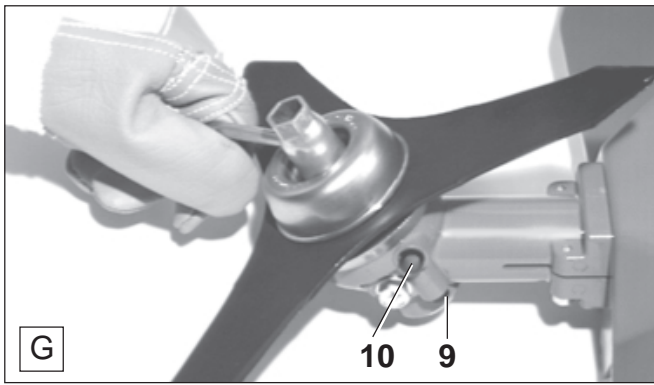
**Important! The picture shows the steel bush cutter. When installing the 8-tooth eddy blade make sure to observe the direction of rotation arrows on blade and on cutter guard!**

- Put on the sliding cup (F/7) and screw the lock nut (F/3) manually onto the shaft.

The sliding cup is included in the accessories!



**Important! The locknut (F/3) has a plastic insert protection. For safety reasons, this nut must be replaced immediately if it becomes loose. It must be replaced in any event after 10 tool changes at the latest. (Order no. 385 228 041)**

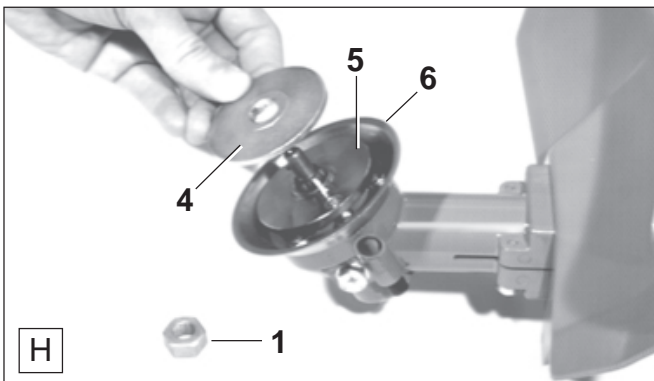


- Press the locking button (G/9) and hold it down, while using the combination wrench to turn the shaft counter-clockwise until the locking button engages and locks the shaft.
- Now tighten the locknut counter-clockwise using the combination wrench (25-30 Nm).
- To unlock the locked shaft press the release button (G/10). The locking button (G/9) will trip (if necessary turn the cutting tool slightly).
- Check to make sure the cutting tool can turn freely.

Use the shaft lock in the same way when dismantling the cutting tool.

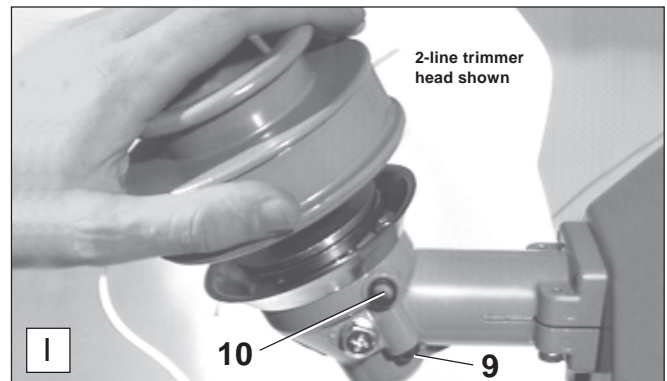
## Installing the trimmer head

Always switch off the engine and disconnect the spark plug cap before mounting the trimmer head!



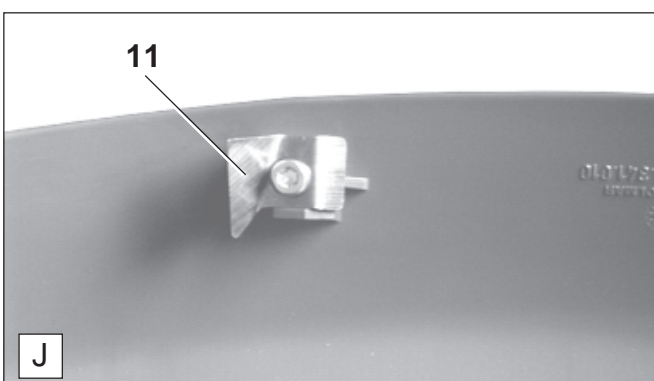
When using the trimmer head install the cutter guard with the mounting plate in position A (see "Installing the cutter guard"). **Always install the line cutter** (see below, "Installing the line cutter")!

- Unscrew the locknut (H/1) from the shaft by turning it clockwise.
- Note: The locknut has a left-hand thread!**
- Place the pressure disk (H/4) on the shaft as shown.



- If necessary, install the winding guard (H/6) (three screws). To do so, first remove the locking disk (H/5) (note its position as installed).
- Screw the trimmer head onto the shaft by turning it counter-clockwise.
- Press the locking button (I/9) and hold it down while turning the trimmer head counter-clockwise until the locking button engages, locking the shaft.
- Now tighten the trimmer head by hand.
- Press the release button (I/10) to unlock the shaft. The locking button (I/9) will jump out (it may be necessary to turn the trimmer head slightly).
- Check to make sure the trimmer head can turn freely.

## Installing the line cutter



The line cutter and its mounting screw are included in the accessory pack.

- The picture shows the line cutter (J/11) mounted on the cutter guard with the mounting screw.

### Note:

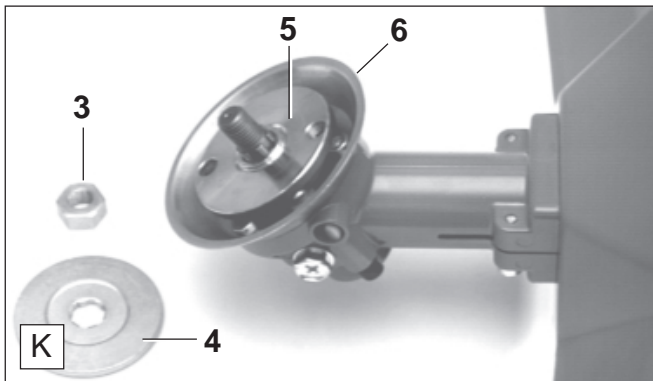
If you adjust the length of the trimmer line (see page 19), the line cutter will automatically cut the lines to identical length during operation.

### Caution:

**Always turn off the engine before adjusting the line length!**

## Installing the metal cutter guard and chisel type saw blade

Always switch off the engine and disconnect the spark plug cap before mounting cutting tools! Wear protective gloves!

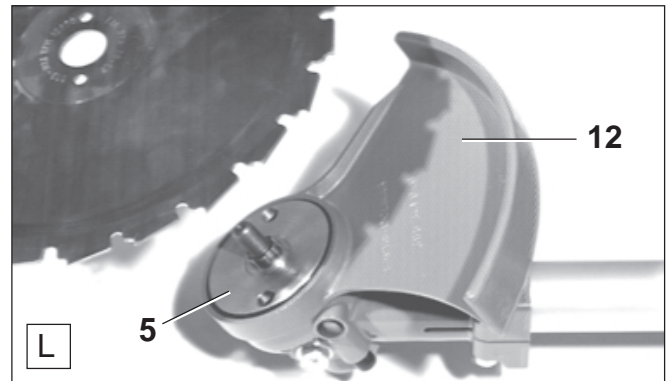
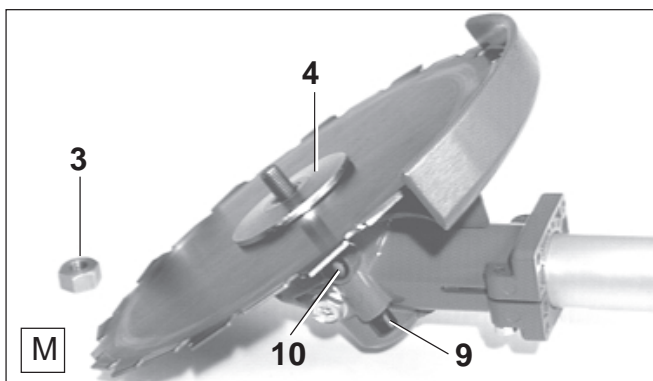


Always install the metal cutter guard when installing the chisel type saw blade!

- Unscrew the locknut (K/3) from the shaft by turning it clockwise.

**Note: The locknut has left-hand thread!**

- Remove the pressure disk (K/4) and the locking disk (K/5).



- If the winding guard is on, remove it (K/6) by unscrewing the three screws.
- Screw the steel cutter guard (L/12) on tightly.
- Put the locking disk (L/5) on.
- Put on the cutting tool and finally the pressure disk (M/4) as shown in the picture.



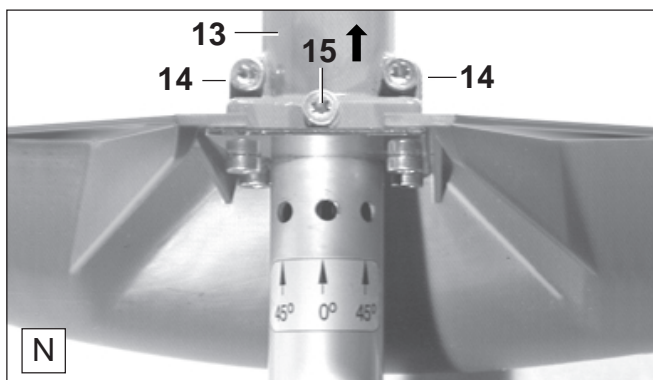
**Important! When installing the chisel type saw blade make sure that the direction of rotation arrows on saw blade and on cutter guard are pointing in the same direction!**



**Important:** The locknut (K/3) has a plastic insert protection. For safety reasons, this nut must be replaced immediately if it becomes loose. It must be replaced in any event after 10 tool changes at the latest (order no. 385 228 041)!

- Screw the locknut (M/3) onto the shaft by hand.
- Press the locking button (M/9) and hold it down while using the combination wrench to turn the shaft counter-clockwise until the locking button engages and locks the shaft.
- Now tighten the locknut counter-clockwise using the combination wrench (25-30 Nm).
- Press the release button (M/10) to unlock the shaft. The locking button (M/9) will jump out (if necessary turn the saw blade slightly).
- Check to make sure the saw blade can turn freely.

## The gear box



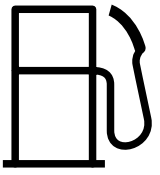

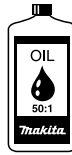

In order to achieve easier operation along slopes and fitches, it is possible to swivel the gear box (N/13) from the normal position to either side by approximately 45 degrees.

**Adjustment:**

- Loosen the two screws (N/14).
- Loosen screw (N/15) enough to turn the gear box in the direction indicated by the arrow until the three boreholes are visible at the main tube.
- Turn the gear box in the direction indicated until the position of the screw (N/15) matches up with the borehole.
- Move the gear box back again and tighten the first screw (N/15) and subsequently the remaining two screws (N/14) by the same amount.

## Fuel mixture



Gasoline	40:1 other oil	50:1 MAKITA oil	100:1 MAKITA oil
			
1.0 Us-gal. (3.7 l)	3.2 floz.(94 cm <sup>3</sup> )	2.5 floz.(75 cm <sup>3</sup> )	1.3 floz.(38 cm <sup>3</sup> )
2.5 Us-gal. (9.4 l)	8.0 floz.(236 cm <sup>3</sup> )	6.4 floz.(189 cm <sup>3</sup> )	3.2 floz.(94 cm <sup>3</sup> )
5.0 Us-gal. (18.9 l)	16.0 floz.(473 cm <sup>3</sup> )	12.8 floz.(378 cm <sup>3</sup> )	6.4 floz.(189 cm <sup>3</sup> )

The brushcutter is powered by a high-performance two-stroke engine. The engine runs on a mixture of gasoline and two-stroke engine oil.

The engine was designed for regular lead-free gasoline with an octane number of at least 91 ROZ. If this is not available, higher-octane gasoline may be used. This will not damage the engine, but may impair engine performance.

A similar situation will arise from the use of leaded fuel. **To obtain optimum engine operation and to protect your health and the environment, only unleaded fuel should be used! Gasoline which contains alcohol should not be used in MAKITA products.**

For lubricating the engine use a two-stroke engine oil (quality grade: API-TC), which is added to the fuel. The engine has been designed for use of MAKITA HP 100 high-performance two-stroke engine oil and a mixture ratio of only 100:1 to protect the environment. In addition, a long service life and reliable operation with a minimum emission of exhaust gases are ensured.

MAKITA HP 100 high-performance two-stroke engine oil is available in the following sizes:

0.5 l part no. 980 008 609

MAKITA high-performance two-stroke engine oil is available in two different sizes:

1 l part no. 980 008 607

100 ml part no. 980 008 606

In case MAKITA high-performance two-stroke engine oil is not available, it is urgently recommended to use a mixture ratio of 40:1 with other two-stroke engine oils, as otherwise optimum operation of the engine cannot be guaranteed.

### Preparation of the correct mixture ratio:

**50:1** When using MAKITA high-performance two-stroke oil, i.e. 50 parts gasoline / 1 part oil.

**100:1** when using MAKITA HP 100 high-performance two-stroke engine oil, i. e. mix 100 parts gasoline with 1 part oil.

**40:1** When using other brands, i.e. 40 parts gasoline / 1 part oil.

### Note:

When preparing the fuel mixture, always first mix the entire oil quantity with half of the gasoline, and then add the rest of the gasoline. Shake the mixture well before putting in the fuel tank.

It is not wise to add more oil to the mixture than specified, even if this may seem safer for the engine. More oil only leads to increased combustion residues, which not only pollute the environment, but are also bad for the cylinder exhaust channel, muffler and the spark arrester screen. Furthermore fuel consumption will increase and performance will fall.

## AVOID SKIN AND EYE CONTACT!

Utmost care is required when handling fuel. Fuel may contain substances similar to solvents. Refuel either in a well ventilated room or outdoors. Do not inhale fuel vapours. Fuel vapours are poisonous and can be hazardous to your health. Avoid eye and skin contact with fuels and mineral oils. Mineral oil products degrease your skin. If your skin comes in contact with these substances repeatedly and for an extended period of time, it will desiccate. Various skin diseases may result. In addition, allergic reactions are known to occur. Eyes can be irritated by contact with oil. If oil comes into your eyes, immediately wash them with clear water.

**If your eyes are still irritated, see a doctor immediately!**

## Storage of Fuel

Fuels have a limited storage life. Fuel and fuel mixtures age. Therefore fuel and fuel mixtures, which have been stored for too long, can cause starting problems. Purchase only that amount of fuel, which will be consumed over the next few months.

**Store fuel safely in a dry place in approved containers only.**

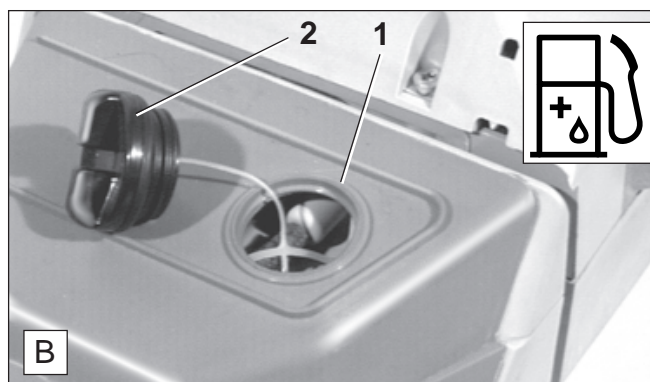
## Refuelling



## FOLLOW THE SAFETY PRECAUTIONS!

**Be careful and cautious when handling fuels.**

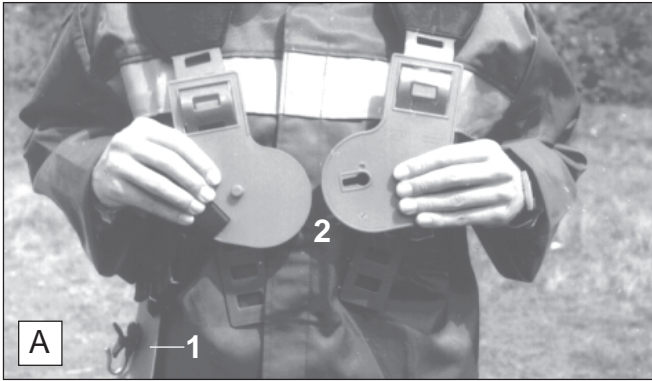
**The engine must be switched off!**



- Thoroughly clean around the tank cap (B/1) so that no dirt can enter the fuel tank.
- Before refuelling the brushcutter make sure it is in a stable position.
- Unscrew the tank cap (B/2) and carefully fill in the fuel mixture up to the lower edge of the filler neck. Fill the tank carefully, making sure not to spill any fuel.
- Tightly screw on the plug.

**Clean screw plug and tank after refuelling.**

## Putting on the harness

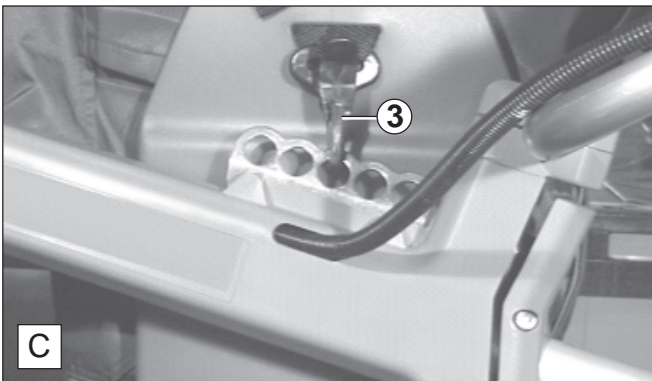


- Place the harness over both shoulders so that the hip pad (A/1) is located on your right hand side.
- Adjust the harness until the chest plate (A/2) fits across your chest.

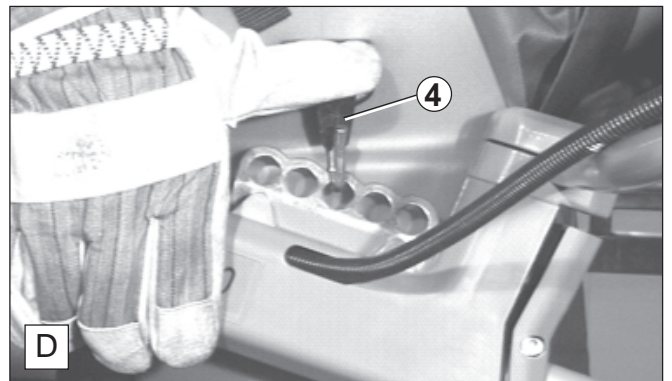


- Adjust the height of the hip pad means by of the chest strap until the fixing hook is located about one hand's width above the hip bone.
- To open the harness detach the chest plates. The harness and the brushcutter can then easily and quickly be removed.

## Balancing the brushcutter



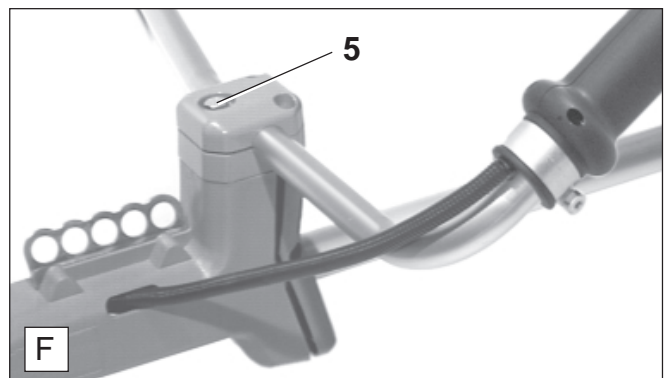
- Fill the fuel tank.
- Attach the brushcutter to the fixing hook (C/3) located on the waist pad.
- 5 boreholes are provided for the correct personal balancing of the brushcutter .



- To remove the brushcutter, first depress the lock (D/4) and then detach the brushcutter from the fixing hook.



- The ground clearance will depend on the kind of cutting tool selected.
- When using the trimmer head or steel bush cutter, the trimmer head or sliding cup should touch the ground lightly without the user having to hold the unit.
- In difficult terrain or when using the steel bush cutter or 8-tooth eddy blades the brushcutter should balance about 12" (30 cm) above the ground without the user having to hold the unit.



- Adjust the handles according to the working condition and then always retighten the locking screw (F/5).

## Putting into operation



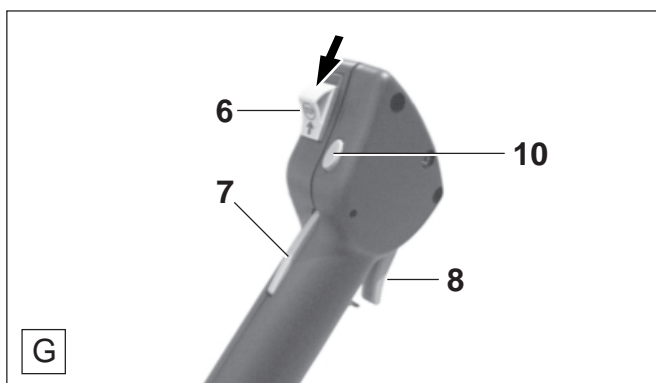
Observe accident-prevention regulations!

Do not start the brushcutter until fully assembled and inspected!

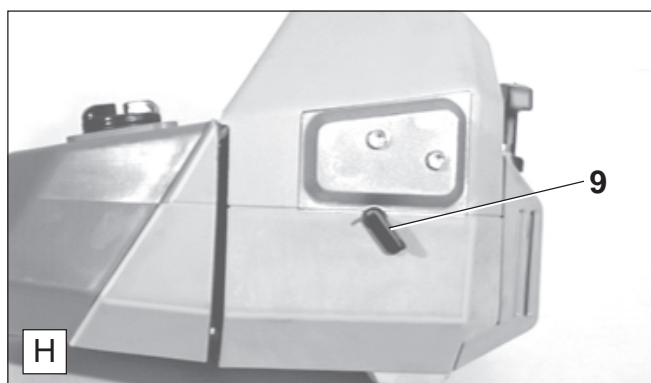
### Starting the engine

- Move at least 10 feet (3 meters) away from where you filled the fuel tank.
- Make sure you have a good footing, and lay the brushcutter on the ground in such a way that the cutting tool is not touching the ground or anything else.

### Cold start



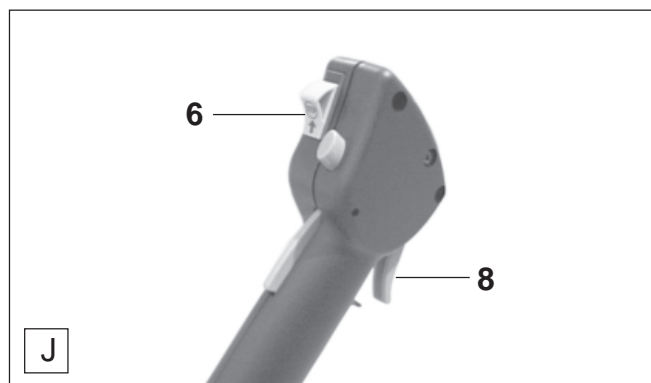
- Move the switch (G/6) in the direction of the arrow.
- To set the half-throttle catch, press the throttle (G/8) with the throttle trigger lockout (G/7) pressed and then press the catch (G/10). Release the throttle (G/8) and then the throttle trigger lockout (G/7).



- Turn the choke lever (H/9) downwards to choke the engine.



- Hold the brushcutter firmly down with one hand, as illustrated above.
- Pull the starter handle out slowly until resistance is noticed, then pull the starter handle out fully with a quick and forceful movement.
- Do not pull out the whole starter cable to its full extent and do not let the starter handle jump back, but let it slowly automatically rewind itself.
- Repeat starting procedure until ignition is achieved.
- Turn the choke lever (H/9) back up and pull the starter cable again until the engine starts.




- After the engine has started, press the throttle (J/8) all the way in and release immediately. This will disengage the half-throttle position.
- Run the engine for approximately 1 minute at a moderate speed before commencing work.

### Warm start

Similar to a cold start but without the choke.

### Turning off the engine

Move switch (J/6) to the position .



## Carburetor adjustment

### Important information:

The carburetor of this tool is fitted with limiter caps which restrict the range of adjustment and prevents over-rich mixture settings. This ensures providing good engine power and efficient fuel consumption.

Before installing the limiter caps, the manufacturer performs the „Basic Adjustment“ procedure.

**Maximum power is achieved through carburetor adjustment. It requires a warm engine and a clean air filter and should preferably be performed by an expert.**

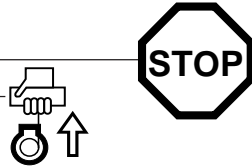
The carburetor comes factory-set for the atmospheric pressure at sea-level. At other elevations and during the run-in phase with a new engine it may be necessary to adjust the carburetor.

A tachometer (order no. 950 233 210) is a must for accurate carburetor adjustment.

Before adjusting the carburetor, install the cutting tool you are going to use and warm up the engine by running it 3-5 minutes.

**For a precise adjustment the following steps are to be performed:**

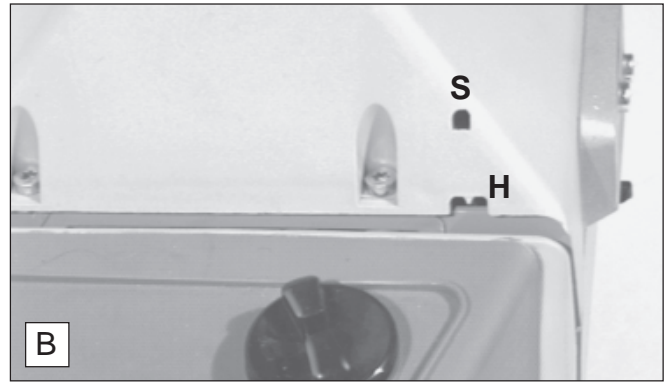
1. Check adjustment
2. Start engine
3. Set idling speed
4. Adjust speed
5. Check idling speed
6. Check acceleration
7. Check max. speed or output
8. Repeat adjustment procedure starting with step 3, until idling speed, max. speed and acceleration are reached with the adjustment made.



### Adjustment instructions (step 1)



- Before initial operation make sure that the adjusting screws (**H** and **L**) have not been set in all the way. Limiter caps do not protect the engine from leaning.
- Turn the two adjusting screws (**H** and **L**) counter-clockwise as far as they will go.
- Start the engine and let it warm up (step 2).



### Set idling speed (step 3)

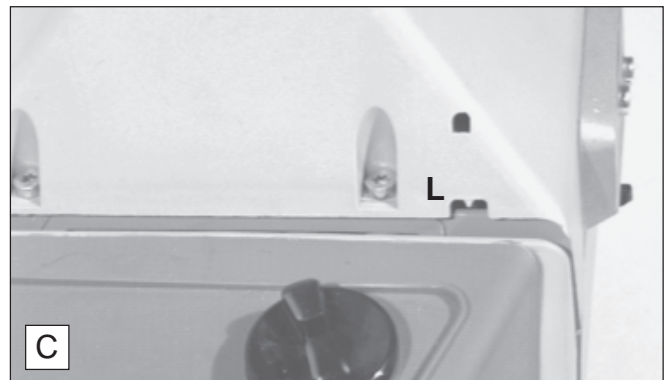
- If the cutting tool turns when the engine is idling, screw the throttle-valve stop screw (**S**) until the cutting tool stops turning. The idling speed should be now 2,300-2,500 rpm/min.

### Adjust speed (step 4)

- Set the engine speed to 13,000-13,500 RPM by adjusting the main jet screw (**H**). Screwing it in makes the fuel/air mixture leaner (less fuel, more air) and increases the engine speed.

#### Caution:

Engine speeds above 13,500 RPM reduce engine life!



### Check idling speed (step 5)

- Now check the idle speed. It should be 2,300-2,500 RPM (the cutting tool should not turn). If necessary, adjust the idle speed with the idle jet screw (**L**). Turning it in increases the speed, and turning it out decreases it.

### Check acceleration (step 6)

- This is the time it takes for the engine to go from idle speed to maximum speed when you press the throttle hard.
- If acceleration is too slow, turn the idle screw (**L**) out about 1/8 turn.

## REPAIR AND MAINTENANCE WORK

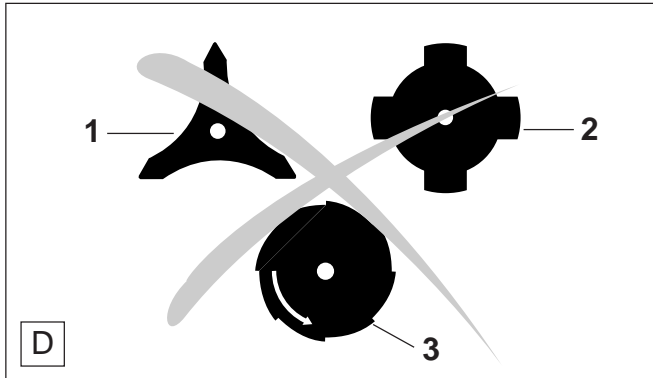


**CAUTION:** Before doing any work on the brushcutter, always switch off the motor and pull the plug cap off the spark plug. Always wear protective gloves!

**CAUTION:** Start the brushcutter only after complete assembly and inspection!

### Sharpening of cutting tools

**Caution:** Wear always gloves during sharpening!



**Note:** The cutting tools below should be sharpened only at a qualified workshop! Manual resharpening will result in an imbalance of the cutting tool, causing vibrations and engine damage.

- Steel bush cutter (D/1)
- Star blade (D/2)
- 8-tooth eddy blade (D/3)

Expert sharpening can be obtained from a MAKITA service station.

**Note:** To increase the working life the steel bush cutter and the star blade may be turned over once until their second cutting sides are blunt.

### Chisel type saw blade

When sharpening the chisel type saw blade (E/4) with a round file take care to sharpen all tooth recesses evenly.

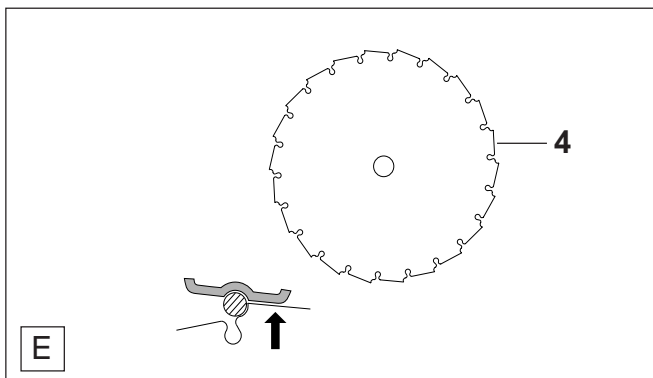
The damage of only one tooth requires equal sharpening or refiling of all other teeth.

If teeth have broken off the chisel type saw blade, it has to be replaced.

Uneven sharpening will result in strong vibration due to an imbalance which will cause damage to the cutter as well as generating vibration in the handles.

Use only a special 5.5 mm dia. round file for saw blades with support (part no. 953 009 000) to sharpen the chisel type saw blade. Other round files are not suitable.

When hand-sharpening a mounted saw blade, make sure the brushcutter is properly supported.

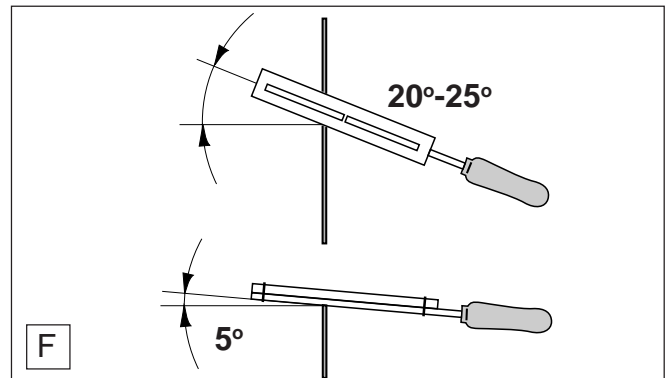


File only the tooth face. The file support should rest on the back of the tooth as illustrated above (arrow).

After it has been sharpened and resharpened several times the chisel type saw blade must be sharpened and balanced at a qualified workshop.

**Caution:**

For to safety reasons, never try to straighten or weld a damaged cutting tool!

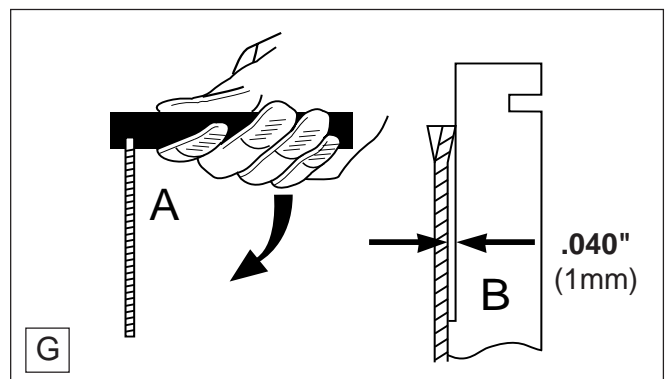


Always maintain a sharpening angle of 20-25 degrees (F).

For this purpose please observe that the markings on the top surface of the file should follow in a parallel direction to the saw blade.

The inclination should be approximately 5 degrees (F).

### Setting the teeth



Should the saw blade jam during cutting, inspect the tooth setting.

The setting should be .040" (1 mm).

To correct the setting of the saw blade teeth use the saw blade adjusting tool which is available as an accessory (Part no. 953 385 010).

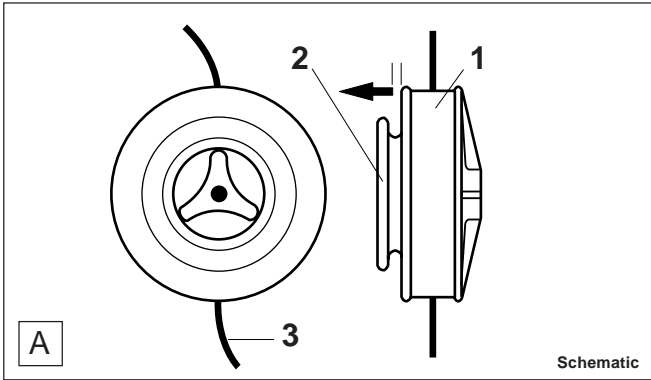
The existing tooth setting of the saw blade must be strictly maintained!

Push down on the adjusting tool as shown (A).

To inspect the tooth setting, hold the adjusting tool against the saw blade. The tooth should touch against the offset part of the adjusting tool (B).

## Trimmer head

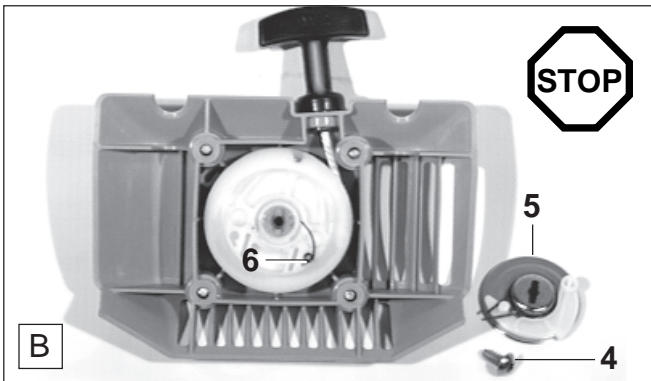
### Lengthening the line



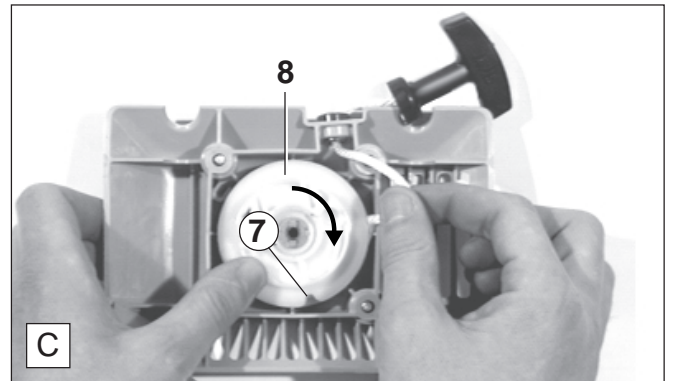
- Hold the housing (A/1) firmly and pull the housing cover (A/2) out against the spring pressure in the direction of the arrow (figure) until it is possible to turn the cover (A/2) counter-clockwise.
- Stop pulling out on the cover (A/2) and turn it counter-clockwise until it snaps back in.
- Pull the line ends (A/3) out as far as they will go. Repeat this procedure until you have about 6" (15 cm) of line available.

A detailed description of this adjustment is included with the trimmer head.

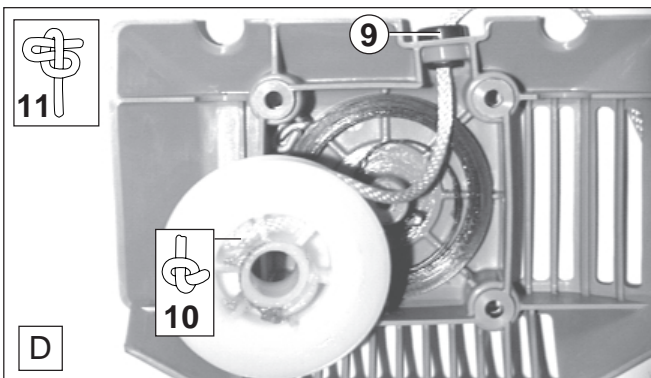
### Starter cable replacement



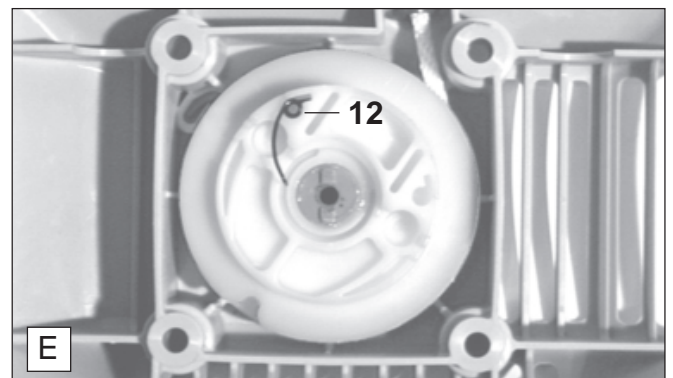
- Unscrew the ventilator housing.
- Screw out the center screw (B/4).
- Remove the guide disk (B/5) complete with the starter ratchet and the brake spring.
- Remove the pawl spring (B/6).



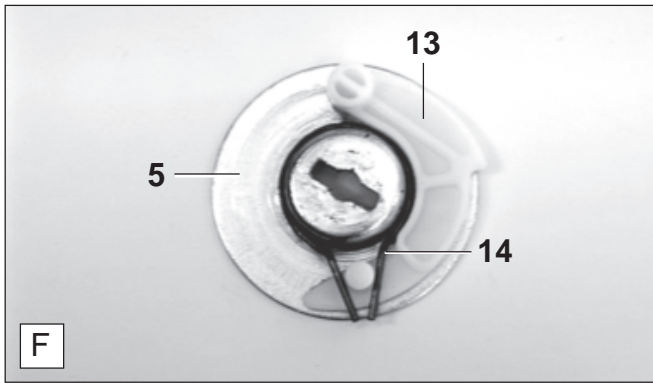
- Pull out the starter handle and starter cable to length of about 12" (30 cm).
- Hold the starter cable drum and pull out the starter cable using a screw driver or similar tool.
- Let the drum slowly turn backwards (in the direction of the arrow) with the starter cable in the appropriate slot (C/7) until the tension in the spring has been released.
- Remove the drum (C/8).
- If starter cable has split or frayed, remove it from the drum.
- Lubricate the center shaft of the starter cable drum with a multipurpose grease (Part no. 944 360 000) before commencing re-assembly.



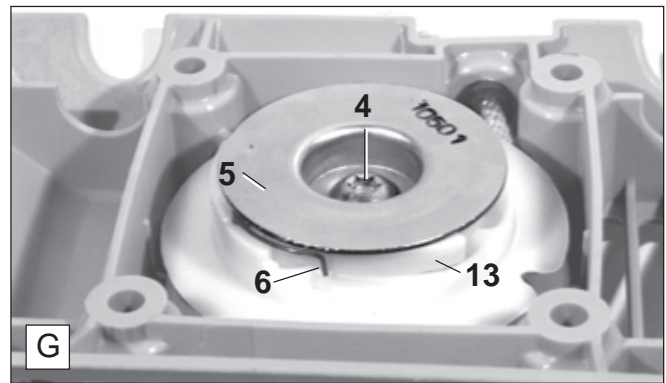
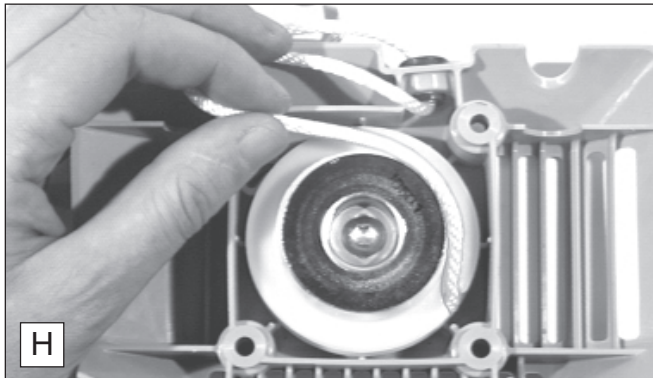
- Push the starter cable through the guide hole (D/9) and then feed the cable through the opening in the drum and tie a knot as shown above.
- Press the knotted end of the starter cable (D/10) into the appropriate slot in the drum.
- Feed the other cable end through the handle and secure with the knot shown in (D/11).
- Wind the cable onto the drum for about 3 1/4 turns. Pay attention to the correct direction of rotation (counter-clockwise when assembled).



- Put the starter cable drum into the housing and check to make sure the return spring is hooked in the correct position by turning it slightly counter-clockwise.
- Insert the pawl spring (E/12) into the starter cable drum as shown.



- Lubricate the guide disk (F/5) with a multipurpose grease and install the pawl (F/13) and the brake spring (F/14) as illustrated above.



- Install the guide disk (G/5) along with the pawl and brake spring into the starter cable drum in such a manner that the pawl spring (G/6) is pressed against the pawl (G/13).
- Turn the guide disk (G/5) so that the shaft guide is located in the slot of the guide disk.
- Screw down the center screw (G/4) to hold the assembly in place.
- Pull the starter cable out of the drum, then insert it into the appropriate slot in the drum and turn the drum, together with the starter cable counter-clockwise for 1 turn. Release the drum and let the spring tension wind up the cable.
- Repeat the above procedure until the starter handle has reached its correct starting location on the ventilator housing assembly.
- Reassemble the ventilator housing.

## Instructions for maintenance

Do not do any maintenance or servicing work not described in this Instruction Manual. All such work may be done only by a MAKITA service station.

After refuelling the brushcutter 50 times, it should be given a thorough maintenance check and a complete inspection at a MAKITA service centre.

### Daily maintenance

Perform the following work daily after use:

- Clean the outside of the brushcutter and inspect for damage.
- Clean the air filter (see below). Under dusty working conditions the air filter must be cleaned more often.
- Check the cutting tool for damage and make sure it is tight.
- Check to make sure that there is sufficient difference between the idle and engagement speed so that the cutting tool does not turn when the engine is idling. If necessary, reduce the idle speed (see page 17). If the cutting tool still turns during idling, take the brushcutter to a service center.
- Check the function of the safetylocking button, the short-circuiting switch and of the throttle lever (see page 16).

### Cleaning the air filter

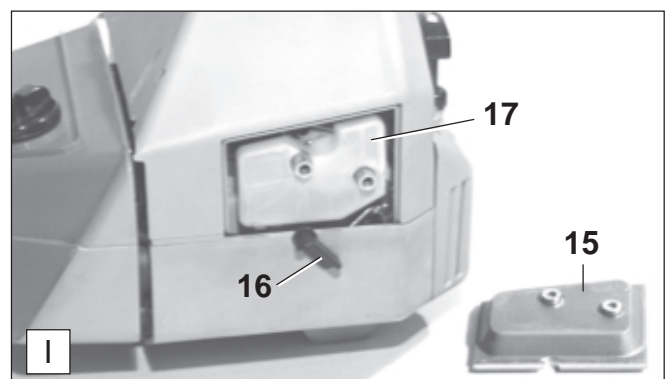


- Remove the air filter cover (I/15). Close the choke lever (I/16) to prevent the entry of dust particles into the carburetor.
- Remove the air filter (I/17) and clean it with a soft brush.

#### Caution:

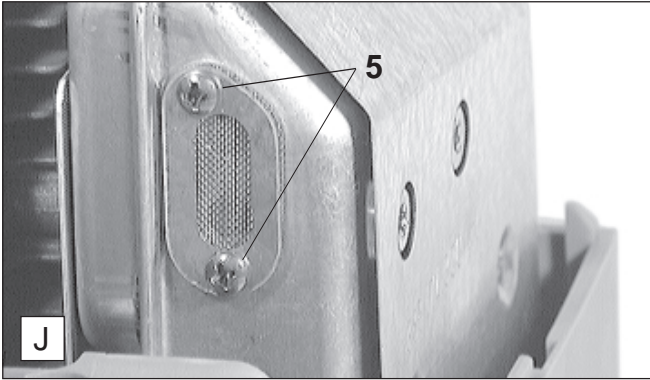
**To prevent eye injuries, do not blow out dirt particles.**

- Very dirty filters can be cleaned out using regular dishwashing liquid in lukewarm water.
- In case of strong pollution clean more often (several times a day) because only a clean filter ensures full engine power.
- Before reinstalling the air filter check the choke valve for dirt particles, and if necessary clean it out with a brush.
- **Carefully dry** the air filter and reinstall it.



**Important: If the air filter is damaged replace it immediately! Torn-off fabric pieces and large dirt particles can destroy the engine.**

## Replacing/cleaning the spark arrestor screen



The spark arrestor screen should be checked and cleaned regularly.

- Remove the filter cover (see "Checking the muffler bolts").
- Loosen the 2 screws (J/5) and remove the spark arrestor screen.
- Clean the spark arrestor screen with a soft brush.

**NOTE:** Do not use sharp or pointed objects for screen cleaning. Damaged or misformed screen wires may result.

**IMPORTANT:** If the spark arrestor screen is damaged replace it immediately!

- Reassembly the spark arrestor screen and tighten the screws.

## Weekly maintenance

### Inspecting and replacing the spark plug

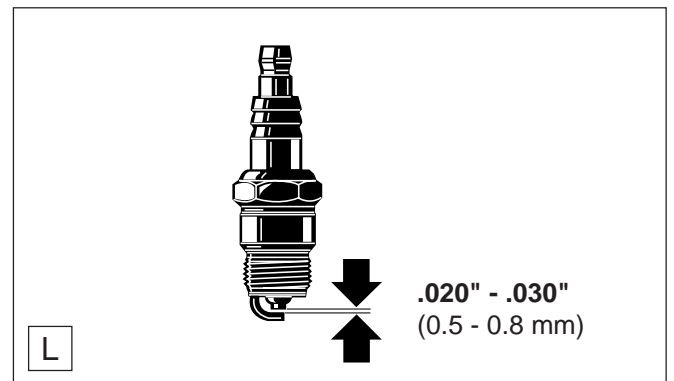
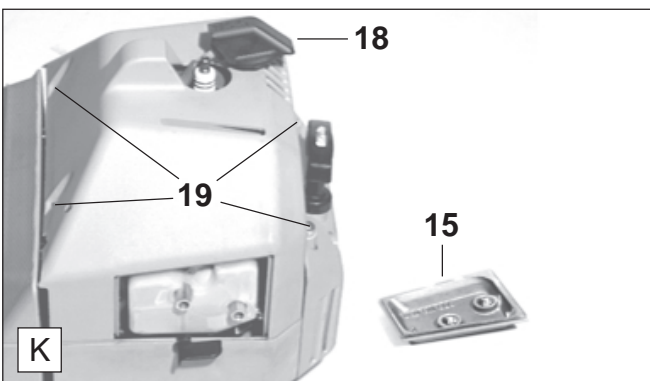


#### CAUTION:

**NEVER touch the spark plug or spark plug cap while the engine is running (high voltage).**

**Never do maintenance work with the engine running!**

**A hot engine can cause severe burns. Wear protective gloves!**



The spark plug must be replaced if the insulator is damaged or if the electrodes are severely eroded or dirty or oily.

- Pull the spark plug cap (K/18) off the plug. Use only the combination wrench supplied with the brushcutter to remove the spark plug.

**Note:** Replace only with **CHAMPION RCJ-6Y**, **BOSCH WSR 6F** or **NGK BPMR 7A** spark plugs!

#### Electrode gap

The electrode gap must be .020" - .030" (0.5 - 0.8 mm).

#### Checking the ignition spark

- Remove the spark plug. With the spark plug cable on, hold the plug against the cylinder (but not near the spark plug hole!) using insulated pliers.
- Turn the on/off switch to "I" (on).
- Pull the starter cable hard.

A spark should be visible at the electrode gap.

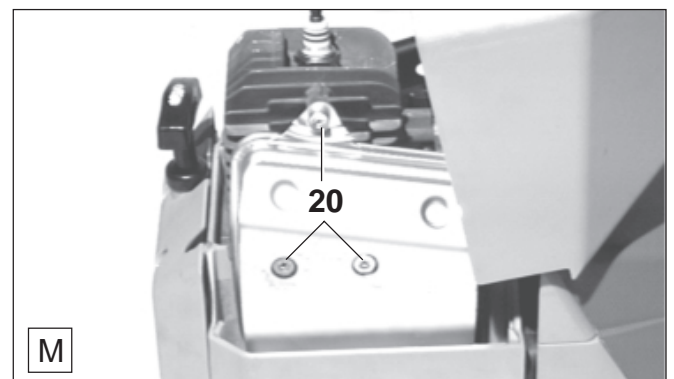
## Checking the muffler bolts



#### Caution:

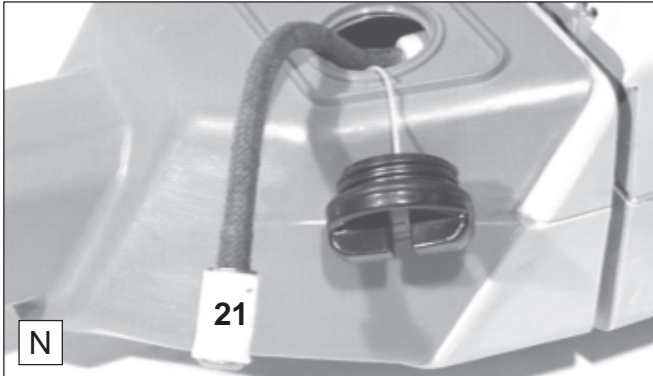
**Do not tighten the muffler bolts while the engine is hot!**

- Remove plug connector (K/18) and unscrew and remove the filter cover (K/15).
- Loosen the four fixing bolts (K/19) of the cover and remove it.
- Check the muffler bolts (M/20) for tightness using the Allen key. If loose, tighten manually. Do not over-tighten.



## Periodic maintenance

### Suction head in the fuel tank

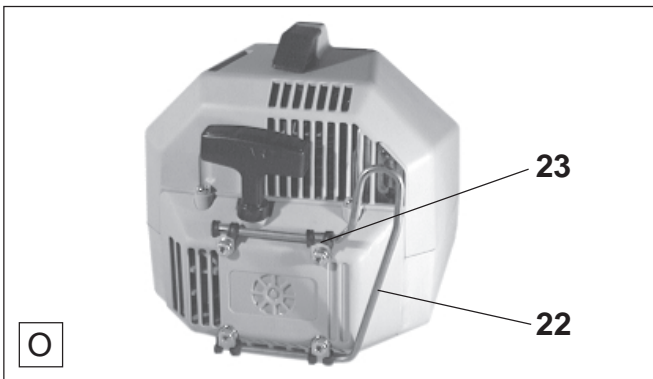


The felt filter (N/21) of the suction head is used to filter the fuel taken in by the carburetor.

A periodical visual inspection of the felt filter should be conducted. For this purpose open the tank cap, and use a wire hook to pull out the suction head through the tank opening. If the filter has hardened or is dirty or clogged, replace it (see "Excerpt from the spare-parts list").

Insufficient fuel supply can result in the admissible maximum speed being exceeded. It is therefore important to replace the felt filter at least every three months to ensure a good fuel supply to the carburetor.

### Muffler guard

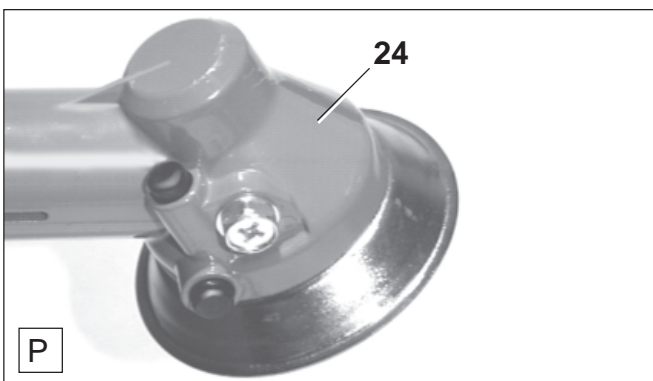


Check if the muffler guard (O/22) is in good condition. A bent, broken or missing muffler guard can cause bush fires especially during dry weather conditions.

Replace a non-functional muffler immediately!

Also check the four clamp rings (O/23) before using the brushcutter. Replace damaged clamp rings immediately! The correct mounting and positioning of the muffler is essential to guarantee protection against a possible fire hazard from the engine exhaust.

### Information about the gear box



The gear box (P/24) is provided with a permanent lubrication and consequently does not need any maintenance.

However, if large quantities of grease are leaking from the gear box, consult a MAKITA service station.

#### Servicing and maintenance

We recommend that a comprehensive maintenance and inspection be performed at regular intervals.

**Any maintenance or adjustment work not described in this manual may be performed only by a MAKITA service station.**

## Shutting down procedure and storage

If you are not planning to use the brushcutter for a period in excess of 6 weeks, it is recommended to observe the following instructions:

- Perform the servicing operations as described on pages 18 to 24.
- Empty the fuel tank and run the engine until the carburetor is dry. Fuels have only a short storage life and can cause sedimentary deposits in the fuel tank or carburetor.
- Remaining fuel in canisters should be used for other engines, or properly disposed of.
- Clean and lightly lubricate metallic cutting tools.
- Store the brushcutter in a dry place only.
- The next time you use the brushcutter, purchase new fuel and prepare the two-stroke mixture as specified.

## Instructions for periodic maintenance

To ensure long life, prevent damage and ensure the full functioning of the safety features the following maintenance must be performed regularly. Guarantee claims can be recognized only if this work is performed regularly and properly. Failure to perform the prescribed maintenance work can lead to accidents!

			Page
<b>General</b>	Engine assembly	Visual inspection for damage, loose attachment and fuel tank sealing	20-22
<b>After each refuelling</b>	Throttle lever	Functional check	16
	Safety lock button	Functional check	16
	STOP-switch	Functional check	16
<b>Daily</b>	Air filter	Clean	20
	Cutting tool	Check for damage and sharpness	18
	Idle speed	Check (cutting tool must not move)	17
<b>Weekly</b>	Spark plug	Inspection, replace if necessary	21
	Muffler	Clean and tighten bolts	21
<b>Quarterly</b>	Suction head	Replace	22
	Fuel tank	Clean	
<b>Shutting down procedure</b>	Fuel tank Carburetor	Empty Run empty	

## Service, spare parts and guarantee

### Maintenance and repair

The maintenance and repair modern brushcutters and safety-related components and assemblies requires qualified technical training and a workshop equipped with special tools and testing devices.

We therefore recommend that you consult a MAKITA service centre for all work not described in this instruction manual.

The MAKITA service centres have all the necessary equipment and skilled and experienced personnel, who can work out cost-effective solutions and advise you in all matters.

Please contact your nearest service centre (list enclosed).

### Spare parts

Reliable long-term operation, as well as the safety of your brushcutter, depend among other things on the quality of the spare parts used. Use only original MAKITA parts, marked



Only original spare parts and accessories guarantee the highest quality in material, dimensions, functioning and safety.

Original spare parts and accessories can be obtained from your local dealer. He will also have the spare part lists to determine the required spare part numbers, and will be constantly informed about the latest improvements and spare part innovations.

Please bear in mind that if parts other than original MAKITA spare parts are used, this will automatically invalidate the MAKITA product guarantee.

We will furthermore not accept any liability damages arising from the use of non-MAKITA spare parts.

## Guarantee

MAKITA guarantees the highest quality and will therefore reimburse all costs for repair by replacement of damaged parts resulting from material or production faults occurring within the guarantee period after purchase. Please note that in some countries particular guarantee conditions may exist. If you have any questions, please contact your salesman, who is responsible for the guarantee of the product.

Please note that we cannot accept any responsibility for damage caused by:

- Disregard of the instruction manual.
- Non-performance of the required maintenance and cleaning.
- Exceeding of the maximum admissible speed due to incorrect carburetor adjustment.
- Incorrect carburetor adjustment.
- Normal wear and tear.
- Obvious overloading due to permanent exceeding of the upper performance limits.
- Use of force, improper use, misuse or accidents.
- Overheating due to dirt in the coolant-air intake system including air filter.
- Work on the chain saw by unskilled persons or inappropriate repairs.
- Use of unsuitable spare parts or parts which are not original MAKITA parts, insofar as they have caused the damage.
- Use of unsuitable or old oil.
- Damage related to conditions arising from lease or rent contracts.
- Damages caused by disregarding loose outer bolted connections.

Cleaning, servicing and adjustment work is not covered by the guarantee. All repairs covered by the guarantee must be performed by a MAKITA service centre.

## Troubleshooting

Fault	System	Observation	Cause
Engine will not start or starts only with difficulty	Ignition system	Ignition spark OK	Fault in fuel supply or compression system, mechanical defect
		No ignition spark	STOP switch is depressed, wiring fault or short circuit, spark plug or connector defective, ignition module faulty
	Fuel supply	Fuel tank full	Incorrect choke position, carburetor defective, suction head dirty, fuel supply line bent or interrupted
	Compression system	Inside of engine	Cylinder bottom gasket defective, crankshaft seals damaged, cylinder or piston rings defective or worn
	Mechanical fault	Outside of engine Starter not engaging	Poor sealing of spark plug Broken starter spring, broken parts inside engine
Warm start problems		Tank filled ignition spark OK	Incorrect carburetor setting vent operation
Engine starts but dies immediately	Fuel supply	Tank full	Incorrect idle speed, suction head or carburetor dirty Fuel tank vent defective, fuel supply line interrupted, cable or STOP switch faulty
Insufficient power	Several systems may be affected simultaneously	Engine idling	Air filter dirty, carburetor adjustment incorrect, muffler clogged, exhaust duct in the cylinder clogged





## Nous vous remercions pour votre confiance!

Nous désirons que vous soyez un client satisfait de MAKITA. Vous avez choisi une des débroussailleuses MAKITA les plus modernes.

Les débroussailleuses DBC3310, DBC4010 et DBC4510 réunissent les avantages d'une technique moderne avec construction ergonomique et sont par là des débroussailleuses professionnelles pour utilisation multiple.

Le moteur à haute puissance - cœur de la débroussailleuse - a été complètement réétudié. Le moteur avec construction optimale du cylindre, temps de commande calculés par ordinateur et allumage électronique nécessitant aucun entretien permet d'obtenir une haute puissance avec une consommation minimale de carburant.

L'arbre d'entraînement est à 9 paliers et équipé d'un embrayage centrifuge solide pour utilisation de longue durée dans des conditions difficiles. Le réservoir de carburant placé devant permet un bon emplacement du centre de gravité et ainsi un bon équilibre de la machine pendant le travail.

Les avantages techniques particuliers de cette débroussailleuse MAKITA sont entre autres:

### - Amortissement optimal des vibrations

4 éléments amortisseurs creux coniques, d'une part entre moteur et tube principal, et d'autre part entre réservoir et poignée, permettent d'amoindrir le plus possible les vibrations pour l'utilisateur, de telle sorte que celui-ci puisse travailler confortablement en économisant ses forces, même en utilisation de longue durée

### - La poignée à fonctions multiples

Tous les éléments de commande principaux sont rassemblés de façon ergonomique sur la poignée droite.

### - Changement facile d'outil

Le tout nouveau dispositif de blocage étudié par MAKITA permet, par pression sur bouton, de bloquer l'outil pour un changement simple et sûr.

### - Amortissement du bruit très efficace

Ladébroussailleuse travaille silencieusement grâce à son moteur entièrement fermé et l'amortissement des bruits à l'aspiration par une chambre de résonance.

Dans l'appareil ont été observés les droits de protection suivants: US 512606, EP 0438611, EP 0696414, GBM 9106194, GBM 9412925.

De façon à garantir votre sécurité personnelle et un fonctionnement optimal de la débroussailleuse ainsi que la puissance désirée, nous vous demandons:

**Avant la première mise en service, lisez attentivement les instructions d'emploi et observez strictement les consignes de sécurité. La non-observation de ces instructions risque d'entraîner des blessures mortelles!**



## Emballage

Votre débroussailleuse MAKITA est emballée dans un carton et donc à l'abri de toute détérioration pendant le transport.

Les cartons sont des matières premières recyclables, ils peuvent donc être remis dans le cycle de la matière première (réutilisation des vieux papiers).



## Sommaire

Page

Emballage .....	26
Etendue de la fourniture .....	27
Explication des symboles .....	27

## CONSIGNES DE SECURITE

Consignes de sécurité générales .....	28
Equipement de protection personnel .....	28
Carburants / Remplissage du réservoir .....	29
Mise en service .....	29-30
Choc-retour (kickback) .....	30
Comportement et technique de travail .....	31
Outils de coupe .....	31
Transport .....	31
Entreposage .....	31
Maintenance .....	32
Premiers secours .....	32

## Caractéristiques techniques

## Description des pièces

## MISE EN SERVICE

Montage de la poignée tubulaire .....	34
Montage du capot de protection .....	34-35
Montage du couteau à 3 dents, du disque de coupe à 8 dents et du couteau à 4 dents .....	35-36
Montage du dispositif de coupe à fils .....	36
Montage du couteau de fil .....	36
Montage du capot de protection métallique et de la scie circulaire à gouge .....	37
Le réducteur angulaire .....	37
Mélange carburant .....	38
Stockage du carburant .....	38
Remplissage du réservoir .....	38
Mise en place du harnais .....	39
Equilibrage de la débroussailleuse .....	39
Démarrage .....	40
Réglage du carburateur .....	41

## TRAVAUX DE MAINTENANCE

Affûtage des outils de coupe .....	42
Dispositif de coupe à fils .....	43
Changement du câble de lancement .....	43-44
Nettoyage du filtre à air .....	44
Changement / nettoyage du pare-étincelles .....	45
Vérification / remplacement de la bougie .....	45
Contrôle des vis du silencieux .....	45
Tête d'aspiration dans réservoir de carburant .....	46
Protège-silencieux (pour Etats-Unis) .....	46
Réducteur angulaire .....	46
Service après-vente et entretien .....	46

## Service atelier, pièces de rechange et garantie

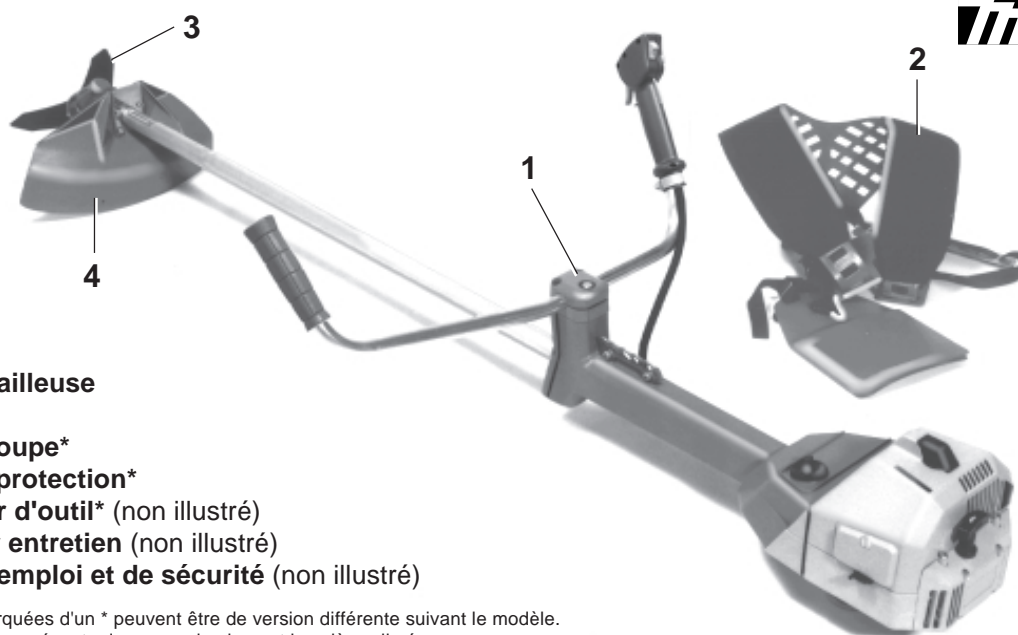
## Recherche des causes de panne

## Extrait de la liste des pièces détachées

## Notes

## Liste d'ateliers spécialisé (voir annexe)

## Etendue de la fourniture



1. Débroussailleuse
2. Harnais\*
3. Outil de coupe\*
4. Capot de protection\*
5. Protecteur d'outil\* (non illustré)
6. Outil pour entretien (non illustré)
7. Manuel d'emploi et de sécurité (non illustré)

\* Les pièces marquées d'un \* peuvent être de version différente suivant le modèle.  
L'illustration ne représente donc pas absolument les pièces livrées.

Si l'une des pièces représentées ci-dessus n'était pas contenue dans la livraison, veuillez vous adresser à votre vendeur!

## Explication des symboles

Vous rencontrerez les symboles suivants sur l'appareil et dans les instructions d'emploi:

	<b>Lire instructions d'emploi et suivre les consignes de sécurité et d'avertissement!</b>		<b>Réglage du carburateur</b>
	<b>Danger et attention particulière requise!</b>		<b>Choke</b>
	<b>Interdit!</b>		<b>Démarrer moteur</b>
	<b>Porter des gants de protection!</b>		<b>Arrêter moteur!</b>
	<b>Porter des chaussures de sécurité!</b>		<b>Interdit de fumer!</b>
	<b>Porter un casque, un masque, des lunettes et un protège-oreilles ! (les lunettes de protection doivent être conformes à la norme ANSI Z87-1)</b>		<b>Pas à proximité d'une flamme!</b>
	<b>Maintenir la distance de sécurité de 50 pieds!</b>		<b>Mélange carburant</b>
	<b>Risque de projection!</b>		<b>Premiers secours</b>
	<b>Attention: Kickback! (Choc-retur)</b>		<b>Recyclage</b>
	<b>Vitesse de rotation max. de l'outil de coupe</b>		
	<b>Sens de rotation de l'outil de coupe</b>		

## CONSIGNES DE SECURITE

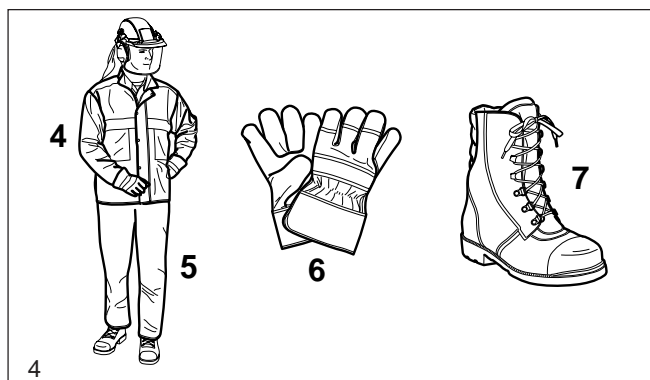
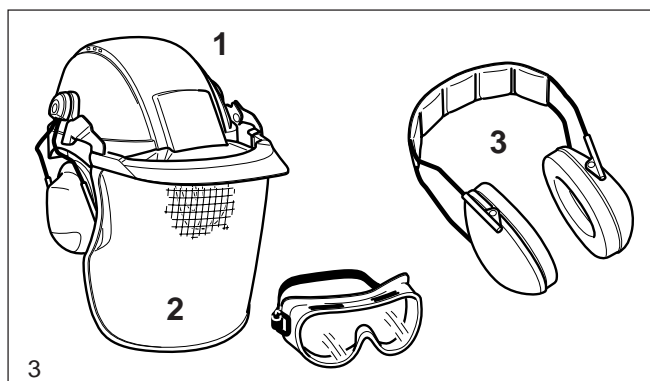
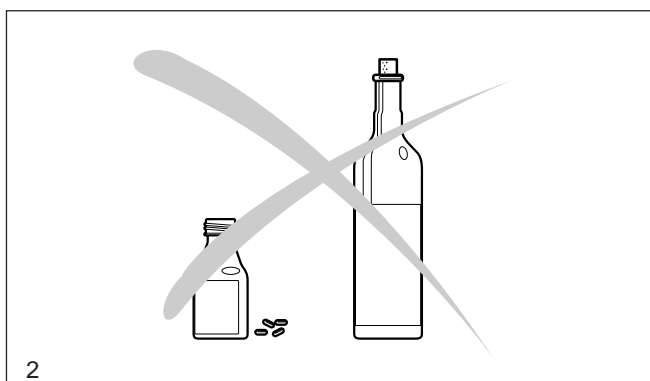
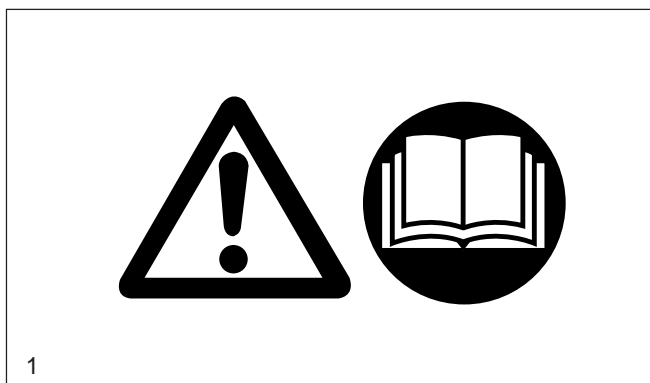
### Consignes de sécurité générales

Pour garantir une utilisation sûre, l'utilisateur doit absolument lire les présentes instructions d'emploi, de façon à se familiariser avec la manipulation de l'appareil. Un utilisateur non suffisamment informé peut mettre en danger lui-même et d'autres personnes par une utilisation non adéquate (1).

- Ne prêter votre débroussailleuse à un autre utilisateur que si celui-ci a une expérience suffisante avec une débroussailleuse. Fournir également le manuel d'instructions d'emploi.
- Les utilisateurs débutants doivent se faire instruire par le vendeur ou dans une école forestière. Pour se familiariser avec les caractéristiques de la coupe avec appareil à moteur, effectuer d'abord seulement des coupes d'herbe, puis plus tard le sciage.
- Il est interdit aux enfants et mineurs de moins de 18 ans d'utiliser la débroussailleuse avec des outils métalliques (lame circulaire, disque étoilé, disque de coupe, etc...) Les mineurs de plus de 16 ans sont exclus de cette interdiction pendant leur apprentissage sous la surveillance d'une personne compétente.
- Utiliser la débroussailleuse seulement avec un maximum d'attention.
- Travailler seulement avec une bonne condition corporelle. Effectuer tous les travaux calmement et prudemment. L'utilisateur est responsable par rapport à une tierce personne.
- Ne jamais utiliser la débroussailleuse sous l'effet de l'alcool, de drogues ou de médicaments (2).

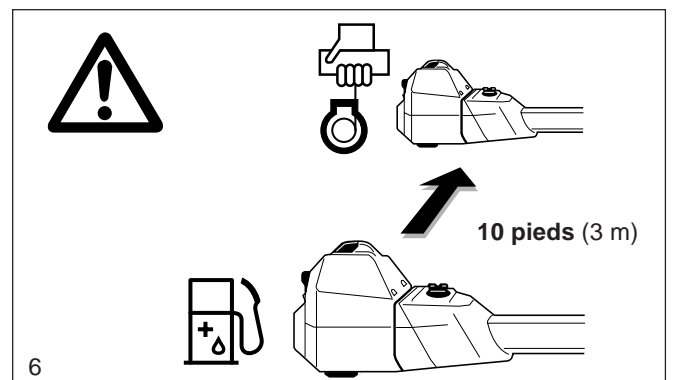
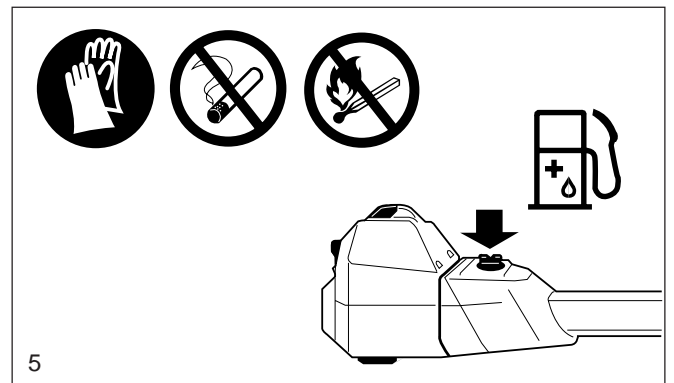
### Equipement de protection personnel

- Les vêtements doivent être adéquats, c.à.d. étroits mais non gênants. Ne pas porter de bijoux ou d'habits pouvant s'accrocher dans les buissons ou arbrisseaux.
- **Pour préserver des blessures à la tête, aux yeux, aux mains et des dommages de l'ouïe pendant la coupe, les équipements de protection du corps décrits ci-après et les dispositifs de protection doivent être portés.**
- Il est recommandé de porter un casque; lors de travaux forestiers, celui-ci est absolument nécessaire. Vérifier régulièrement si le **casque** (1) n'est pas endommagé et le changer au plus tard au bout de 5 ans. N'utiliser que des casques homologués. Si vous portez des cheveux longs, utilisez un filet.
- Le **masque de protection** (2) du casque protège contre la projection de coupes ou d'objets. Pour éviter toute blessure aux yeux, des lunettes de protection doivent être portées en complément du masque.
- Pour préserver l'ouïe, porter un **équipement insonorisant** personnel (protection de l'ouïe (3), capsules, coton, etc...). Analyse par bandes d'octaves sur demande.
- La **veste forestière de sécurité** (4) possède des couleurs signalisatrices sur les épaules. Il faut toujours protéger les bras et le cou par des vêtements.
- La **salopette de sécurité** (5) a 22 couches de tissu en nylon et pro-tège des blessures par coupe. Son utilisation est extrêmement recommandée. Porter en tout cas un pantalon long avec tissu robuste. Ne pas porter de pantalons courts.
- Les **gants de travail** (6) en cuir épais font partie également de l'équipement prescrit et doivent être portés continuellement lors des travaux avec la débroussailleuse.
- Pendant les travaux avec la débroussailleuse, porter aussi des **chaussures** ou des **bottes de sécurité** (7) avec des semelles anti-dérapantes, protection métalliques à l'extrémité et une protection des jambes. Les chaussures/bottes de sécurité offrent une protection contre les coupures et garantissent une position sûre. Ne pas porter de sandales, ne pas travailler à pieds nus.



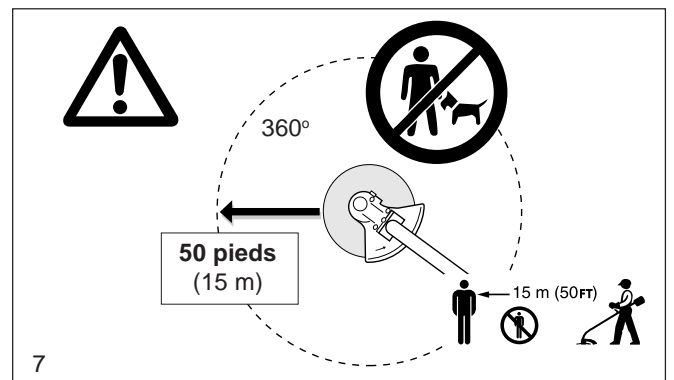
## Carburants / Remplissage du réservoir

- Pour remplir le réservoir, arrêter le moteur.
- Interdiction de fumer, et éviter tout feu ouvert à proximité (5).
- Avant de faire le plein, laisser le moteur se refroidir.
- Les carburants peuvent contenir des substances assimilables à des dissolvants. Éviter de rentrer en contact avec la peau et avec les yeux avec les produits pétroliers. Lors du remplissage, porter des gants. Changer souvent de vêtements de protection et les nettoyez. Ne pas respirer des vapeurs de carburants. La respiration de vapeurs de carburant peut entraîner des dommages corporels.
- Avant de faire le plein, mettre la débroussailleuse dans une position stable.
- Ne pas déverser de carburant. Si on a déversé du carburant, nettoyer immédiatement la tronçonneuse. Ne pas mettre le carburant en contact avec les vêtements. Si du carburant est déversé sur les vêtements, changer immédiatement de vêtement.
- Veillez à ce que du carburant ne pénètre dans le sol (protection de l'environnement). Utiliser des substrats adéquats.
- Ne pas faire le plein dans un local fermé, les vapeurs des carburants s'amassent au sol (danger d'explosion).
- Fermer correctement le bouchon du réservoir. Vérifier régulièrement l'étanchéité du bouchon.
- Changer d'emplacement de la tronçonneuse lors du démarrage (à au moins 10 pieds de l'emplacement du remplissage) (6).
- Les carburants ne peuvent pas être stockés infiniment. N'acheter que la quantité nécessaire couvrant un temps de marche prévisible.
- Ne transporter et ne stocker le carburant que dans des nourrices agréées et portant les indications nécessaires. Ne pas laisser le carburant à portée des enfants.



## Mise en service

- **Ne jamais travailler seul, une personne doit se trouver à proximité en cas d'urgence** (portée de la voix).
- S'assurer qu'aucun enfant ou autre personne n'est présent dans la zone de travail de 50 pieds (15m). Faire attention également aux animaux (7).
- **Vérifier le bon état de marche avant de commencer à travailler:**  
Bonne fixation de l'outil de coupe. Au relâchement de la manette des gaz, celle-ci doit retourner d'elle-même en position neutre. Fonctionnement du blocage de la manette des gaz. L'outil de coupe ne doit pas tourner au ralenti. Les poignées doivent être propres et sèches. Fonctionnement de l'interrupteur marche/arrêt. Les dispositifs de protection ne doivent pas être endommagés et doivent être bien montés dans la bonne position. **Sinon, risque de blessure!**
- Démarrer la débroussailleuse seulement comme décrit dans les instructions d'emploi. **D'autres méthodes de démarrage ne sont pas autorisées (8)!**
- La débroussailleuse et les outils ne doivent être utilisés que pour les utilisations prescrites.
- Ne jamais utiliser, par exemple, de fil ou de câble métallique pouvant se rompre et devenir un projectile dangereux. Utilisez uniquement un fil flexible et non métallique recommandé dans ce manuel.
- **Ne démarrez la broussailleuse qu'après l'avoir complètement assemblée et vérifier le démarrage. La débroussailleuse ne doit être utilisée que si elle est complète!**
- **L'outil de coupe doit être équipé d'un dispositif de protection adapté. Ne jamais utiliser l'appareil sans dispositif de protection.**
- L'outil de coupe ne doit pas tourner lorsque le moteur tourne à vide; le cas échéant, régler le ralenti.



- Avant démarrage, l'outil de coupe **ne doit pas** être en contact avec des objets durs (branches, pierres, etc...).
- Arrêter immédiatement le moteur en cas de modification sensible de la marche de l'appareil.
- Si l'outil de coupe est entré en contact avec des pierres ou d'autres objets durs, arrêter immédiatement le moteur et vérifier l'outil de coupe.

- Vérifier régulièrement si l'outil de coupe n'est pas endommagé (déterminer une fissure éventuelle descella-ble au son en tapant). Des fissures peuvent apparaître dans la zone de la racine (9) après un usage prolongé.

**Ne plus utiliser les outils de coupe endommagés et outils de coupe fissurés en aucun cas !**

- Utiliser la débroussailleuse seulement avec le harnais (10) et régler celui-ci avant le début du travail. Le réglage correct du harnais suivant le corps est nécessaire pour travailler sans fatigue. Ne jamais utiliser la débroussailleuse d'une main.

- Pour chaque travail, maintenir la débroussailleuse à deux mains (10). Garder l'accessoire de coupe sous le niveau de la taille. **Veiller à une position bien stable.**

- Manipuler la débroussailleuse de façon à ne pas respirer les gaz d'échappement. Ne pas utiliser ou demar- rer la débroussailleuse dans des locaux fermés (danger d'empoisonnement). Le monoxyde de carbone est un gaz inodore, l'aspiration de fumées peut être mortelle. Ne travailler qu'à des endroits bien aérés.

- En cas d'interruption ou si vous laissez la débrou- sailleuse sans surveillance, mettez la machine (11) hors circuit, assurez-vous que l'accessoire de coupe est stoppé et déposez la débroussailleuse de manière à ce qu'il n'y ait aucun risque de blessure pour vous et pour les autres personnes.

- Une débroussailleuse chaude ne doit pas être posée dans de l'herbe sèche ou sur des objets inflammables.

- Arrêter le moteur pour le transport et pour changer de place pendant le travail (11).

- Ne pas utiliser l'appareil avec un pot d'échappement défectueux. Si le pare-étincelles est endommagé, rem- placez-le immédiatement. L'utilisation de la débrou- sailleuse avec un pare-étincelles endommagé peut pro- voquer des incendies.

### Choc-retour (kickback)

Lors des travaux avec la débroussailleuse, il est possible qu'il se produise un choc-retour non contrôlé.

Ceci est particulièrement le cas lorsque la coupe est effectuée dans la zone entre 12 et 2 (figure 12).

**Pour les matières rigides telles que les broussailles, les buissons etc. , il est interdit d'entailler ici.**

La débroussailleuse sera alors projetée sur le côté brutale- ment de façon incontrôlée (**risque de blessure!**).

**Ne jamais commencer une coupe dans la zone entre 12 et 2 (figure 12)!**

**Eviter un choc-retour (13):**

- **Pour éviter un choc-retour, observer les points suivants:**

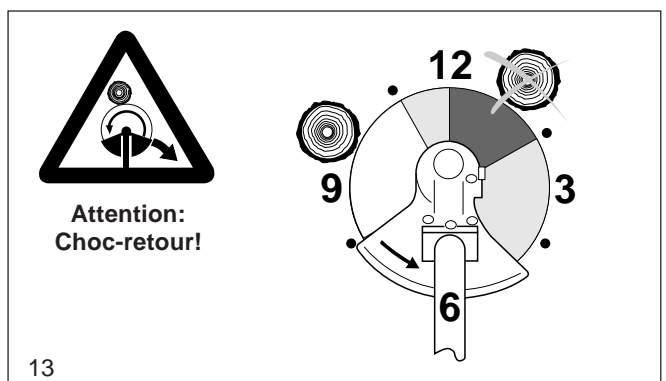
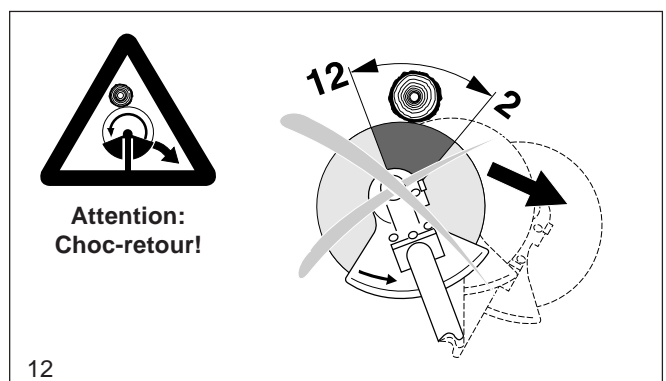
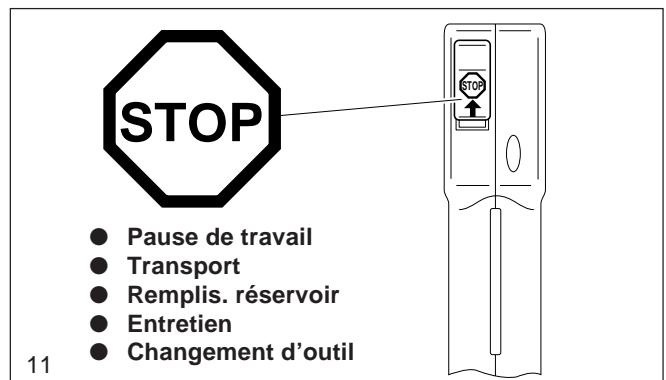
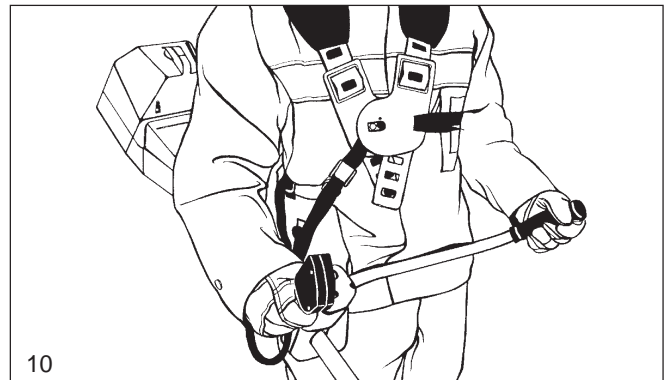
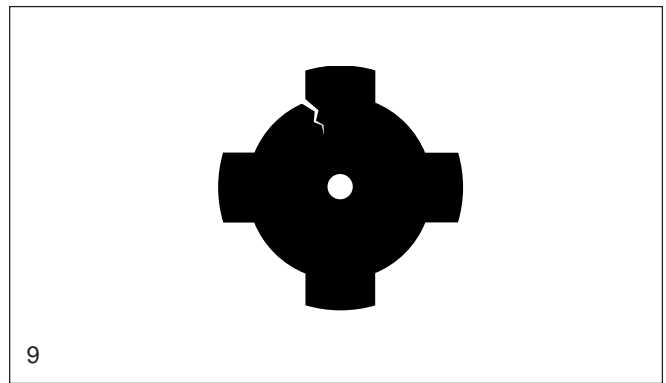
- Observer toujours l'opération de coupe. Attention lors de la poursuite de coupes déjà commencées.

- L'outil de coupe doit avoir déjà atteint sa pleine vitesse de travail.

- Un risque de choc-retour très important est dans la zone entre 12 et 2, particulièrement lors de l'utilisation d'outils de coupe métallique!

- Les méthodes de travaux dans les zones entre 11 et 12 et 2 et 5 ne peuvent être utilisées que par des personnes instruites et à leur risques!

- La zone entre 8 et 11 permet une coupe facile et avec moindre recul.



## Comportement et technique de travail

- Ne travailler que dans des bonnes conditions d'éclairage et visibilité. Surtout en hiver, attention à la neige, la glace et sol mouillé (risque de glissement). La position doit être stable.
- Ne jamais couper au-dessus de la hauteur des épaules.
- Ne jamais couper en étant monté sur une échelle.
- Ne jamais monter dans un arbre avec une débroussailleuse et l'utiliser.
- Ne jamais travailler sur terrain non stable.
- Débarrasser la zone de coupe de corps étrangers tels que les pierres, les pièces métalliques. Ces objets pourraient être projetés (risque de blessure, 14); ils détériorent les outils de coupe et peuvent causer des retours dangereux.
- L'outil de coupe doit tourner à sa vitesse d'utilisation avant de commencer la coupe.

## Outils de coupe

Les outils de coupe (15) ne doivent être utilisés que pour les travaux décrits! D'autres utilisations ne sont pas autorisées.

### Dispositif de coupe à 2 fils / à 4 fils:

Seulement pour la coupe de l'herbe le long des murs, des grilles, bord de gazon, arbres, poteaux... (complément à la tondeuse à gazon).

### Disque de coupe à 8 dents, couteau à 4 dents et couteau à 3 dents:

Pour la coupe de matériaux assez durs: mauvaises herbes, herbes hautes, broussaille, buissons, taillis... avec un  $\varnothing$  max. de 2 cm (3/4") à couper. Pour ces travaux, pivoter la débroussailleuse de droite à gauche en demi-cercle (comme avec une faux manuelle) (16).

### Scie circulaire à gouges:

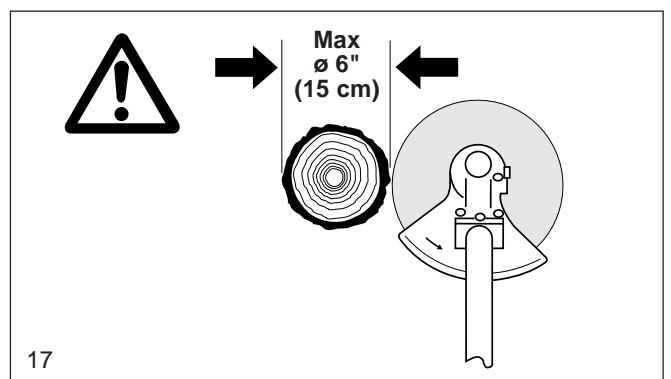
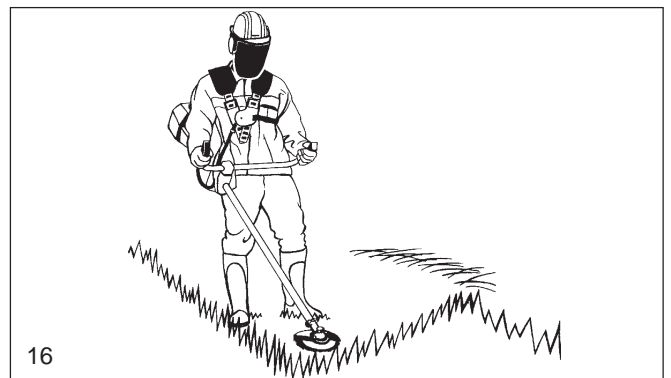
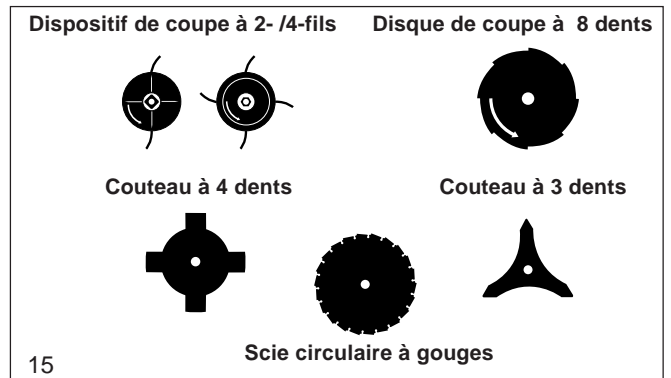
Pour les travaux de nettoyage en forêt et la récolte de petits bois. Diam. max. du tronc 6" (15 cm) (17). Effectuer la coupe avec pression régulière.

## Transport

- **Lors du transport ou d'un changement de lieu de travail, la débroussailleuse doit être arrêtée pour éviter une mise en rotation par inadvertance de l'outil de coupe.**
- **Ne jamais porter ou transporter la débroussailleuse lorsque l'outil de coupe tourne!**
- En cas de transport sur une distance importante, l'appareil doit dans tous les cas être muni de la protection d'outil fournie.
- En cas de transport par voiture, veiller à une position correcte de la débroussailleuse. Vider le réservoir d'essence avant le transport.
- Lors de l'expédition de la débroussailleuse, le réservoir à carburant doit être entièrement vidé de son contenu.

## Entreposage

- La débroussailleuse doit être entreposée dans une pièce sèche, la lame métallique étant munie de sa protection. Ne pas laisser la débroussailleuse à la portée des enfants.
- Après un entreposage prolongé, confier la débroussailleuse à un atelier MAKITA spécialisé pour la soumettre à une révision approfondie.
- En cas d'entreposage prolongé de la débroussailleuse, le réservoir doit être entièrement vidé, après quoi il faut laisser tourner le moteur jusqu'à ce que le carburateur soit lui aussi vidé de tout carburant. Le carburant ne peut être stocké que pour une période limitée et il pourrait former des dépôts dans le réservoir ou le carburateur.
- Utiliser les restes de carburant des bidons de réserve pour d'autres moteurs ou les faire enlever.



## Maintenance

- Il vous faut vérifier l'état sûr de l'appareil, notamment de l'outil de coupe, du dispositif de protection et du harnais et l'étanchéité du système de carburant à chaque fois avant de commencer à travailler. Veiller particulièrement que les outils ont été affûtés selon les prescriptions.

**ATTENTION: Les lames métalliques doivent être affûtées par un professionnel!**

**Une lame affûtée de manière inappropriée peut causer un défaut d'équilibrage et comporte donc un risque considérable de blessure. Les vibrations en résultant peuvent en outre détériorer l'appareil.**

- Lors du remplacement de la lame ou du nettoyage de l'appareil et de la lame etc., **le moteur doit être arrêté et la cosse de la bougie d'allumage doit être retirée.**
- Les outils endommagés ne doivent pas être redressés ou soudés.
- L'appareil doit être utilisé en produisant le moins de bruit et de substances nocives possibles. Veiller au réglage correct du carburateur.
- Nettoyer régulièrement la débroussailleuse et contrôler le serrage correct des vis et écrous.
- Ne pas effectuer l'entretien ou déposer l'appareil à proximité d'une flamme (18)!
- La débroussailleuse ne peut être emmagasinée dans des locaux fermés que si son réservoir est vide. Ne pas laisser la débroussailleuse à la portée des enfants.

**Observer les prescriptions de sécurité des caisses de prévoyance contre les accidents et des assurances. N'effectuer en aucun cas des modifications sur l'appareil. Vous mettez votre sécurité en danger.**

Seuls les travaux d'entretien et de maintenance décrits dans ce manuel doivent être exécutés. Tous les autres travaux doivent être effectués par un atelier du Service MAKITA (19).

**Utiliser seulement les pièces de rechange d'origine MAKITA et les accessoires autorisés.**

L'utilisation d'accessoires ou d'outils non autorisés peut entraîner un risque d'accident très élevé. La responsabilité est annulée en cas d'accidents ou d'endommagements avec outil de coupe, fixation d'outil de coupe ou accessoires non autorisés.

## Premiers secours

En cas d'un éventuel accident, la boîte de premiers soins doit toujours être présente sur les lieux de travail.

Le matériel retiré doit être remplacé immédiatement.

**Si vous appelez du secours, veuillez indiquer:**

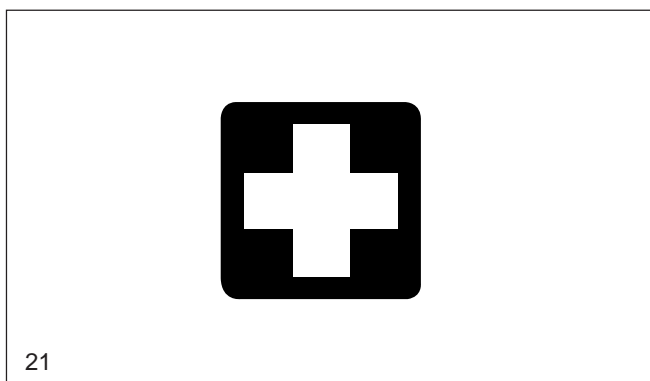
- le lieu de l'accident
- ce qui s'est passé
- le nombre de blessés
- le type de blessures
- le nom du demandeur

## REMARQUE

Des dériations au niveau des vaisseaux sanguins ou du système nerveux peuvent se produire chez des personnes souffrant de troubles circulatoires et trop souvent soumises à des vibrations.

Les symptômes pouvant apparaître à la suite de vibrations au niveau des doigts, mains ou articulations sont les suivants: engourdissement de membres corporels, chatouillement, douleurs, points, changement du teint ou de la peau.

**Si ce genre de symptômes apparaissent, consultez un médecin.**





## Caractéristiques techniques

		DBC3310	DBC4010	DBC4510
Cylindrée	cu. in	2.0 (33 cm <sup>3</sup> )	2.4 (39 cm <sup>3</sup> )	2.7 (45 cm <sup>3</sup> )
Alésage	inch	1.46 (37 mm)	1.57 (40 mm)	1.69 (43 mm)
Course	inch	1.22 (31 mm)	1.22 (31 mm)	1.22 (31 mm)
Puissance nominale selon ISO 8893	kW	1.6	1.8	2.3
Vitesse de rotation nominale	rpm	9,000	9,000	9,000
Régime moteur max.				
avec lame métallique en une pièce <sup>1)</sup>	rpm	13,500	13,500	13,500
Vitesse de rotation max. de la broche d'outil				
avec lame métallique en une pièce <sup>1)</sup>	rpm	10,400	10,400	10,400
Vitesse de rotation au ralenti	rpm	2,500	2,500	2,500
Vitesse de rotation d'embrayage	rpm	3,500	3,500	3,500
Niveau sonore à l'oreille de l'opérateur <sup>3)</sup>	dB (A)	98 <sup>a)</sup> / 101 <sup>b)</sup>	98 <sup>a)</sup> / 102 <sup>b)</sup>	99 <sup>a)</sup> / 102 <sup>b)</sup>
Niveau sonore à la position de l'assistant (50 pieds) <sup>3)</sup>	dB (A)	75 <sup>a)</sup> / 77 <sup>b)</sup>	76 <sup>a)</sup> / 78 <sup>b)</sup>	76 <sup>a)</sup> / 78 <sup>b)</sup>
Carburateur (à membrane)	Type	WALBRO WT-225 A	WALBRO WT-225 A	WALBRO WT-225 A
Allumage	Type	Allumage à transistor	Allumage à transistor	Allumage à transistor
Bougie	Type	CHAMPION RCJ6Y	CHAMPION RCJ6Y	CHAMPION RCJ6Y
Ecartement des électrodes	inch	.020-.030 (0.5-0.8 mm)	.020-.030 (0.5-0.8 mm)	.020-.030 (0.5-0.8 mm)
Consom. de carb. à puiss. max. suiv. ISO 8893 <sup>2)</sup>	kg/h	0.72	0.81	1.03
Consom. spécifique à puiss. max. suiv. ISO 8893 <sup>2)</sup>	g/kWh	450	450	450
Contenu du réservoir carburant	oz.	31.7 (0.9 l)	31.7 (0.9 l)	31.7 (0.9 l)
Rapport de mél. (carb. / huile 2 temps)				
- A l'utilisation d'huile MAKITA		50 : 1	50 : 1	50 : 1
- A l'utilisation d'huile MAKITA HP 100		100 : 1	100 : 1	100 : 1
- A l'utilisation d'autres huiles		40 : 1	40 : 1	40 : 1
Réducteur		1 : 1.3	1 : 1.3	1 : 1.3
Dimensions (à l'état monté):				
longueur / largeur / hauteur	inch	71.1 / 26.8 / 8.9	71.1 / 26.8 / 8.9	71.1 / 26.8 / 8.9
Poids avec capot de protection (sans outil de coupe)	lbs	17.42 (7.9 kg)	17.42 (7.9 kg)	17.42 (7.9 kg)

<sup>1)</sup> A l'utilisation du dispositif de coupe à fil MAKITA, la vitesse de rotation maximale autorisée du dispositif de coupe ne sera pas dépassée.

<sup>2)</sup> pour vitesse max. <sup>3)</sup> Selon les ANSI B 175.3. <sup>a)</sup> Avec lame métallique en une pièce. <sup>b)</sup> Avec dispositif de coupe à 2 fils.

## Description des pièces

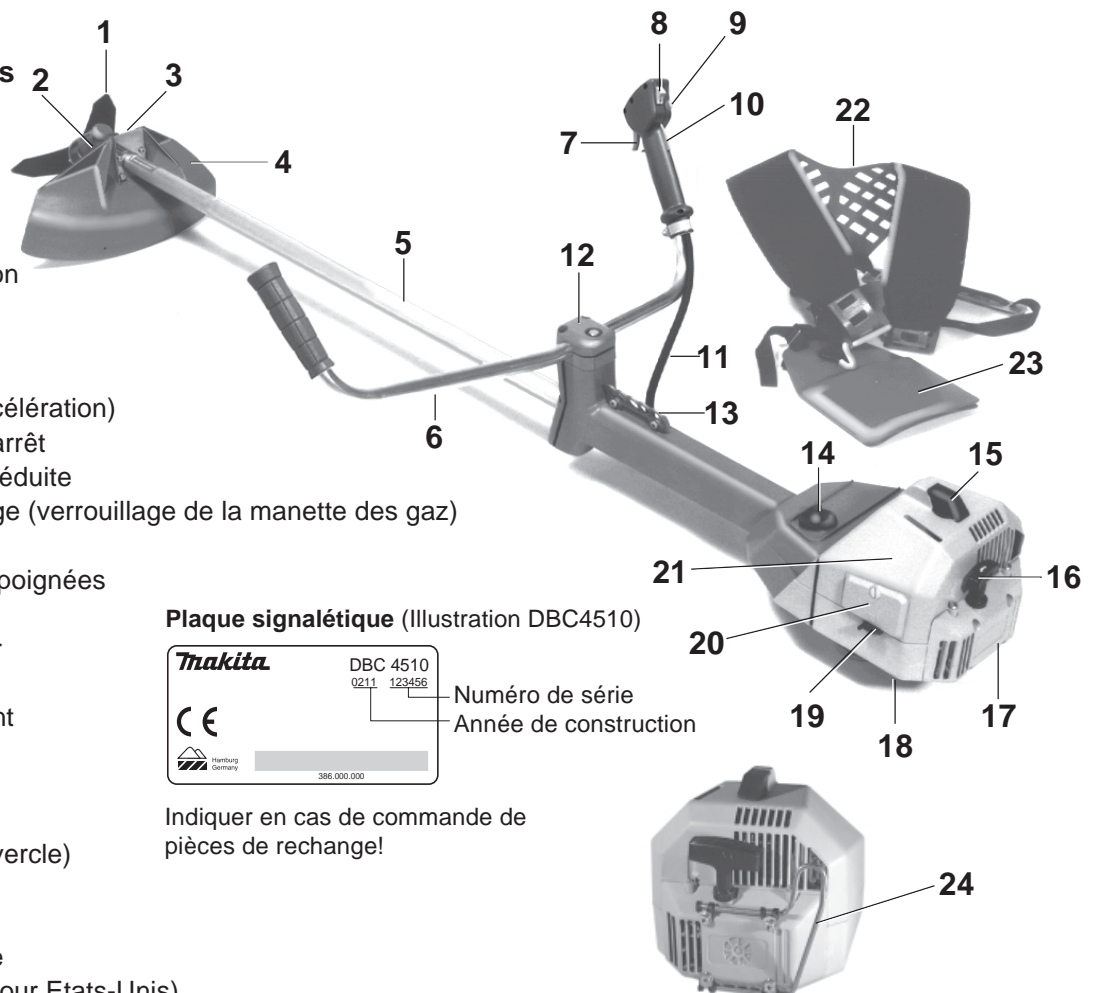
- 1 Outil de coupe
- 2 Réducteur angulaire
- 3 Bouton d'arrêt
- 4 Dispositif de protection (capot de protection)
- 5 Tube principal
- 6 Tube des poignées
- 7 Manette des gaz (accélération)
- 8 Interrupteur marche/arrêt
- 9 Arrêt de l'admission réduite
- 10 Touche de verrouillage (verrouillage de la manette des gaz)
- 11 Câble sous gaine
- 12 Fixation du tube des poignées
- 13 Barre percée
- 14 Bouchon du réservoir
- 15 Fiche de bougie
- 16 Poignée de lancement
- 17 Carter de ventilateur
- 18 Plaque signalétique
- 19 Levier du starter
- 20 Filtre à air (sous couvercle)
- 21 Capot
- 22 Harnais
- 23 Protecteur de hanche
- 24 Protège-silencieux (pour Etats-Unis)

### Plaque signalétique (Illustration DBC4510)



Numéro de série  
Année de construction

Indiquer en cas de commande de pièces de rechange!



## MISE EN SERVICE

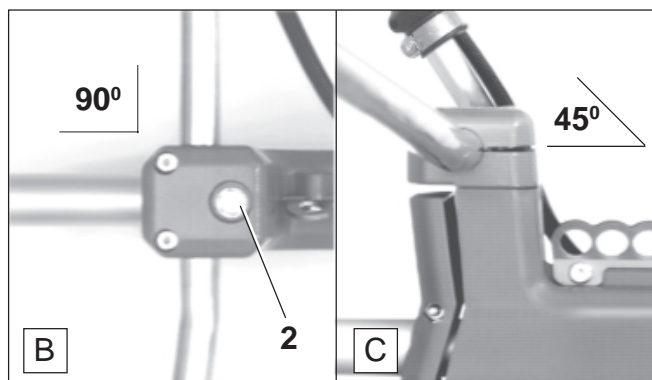
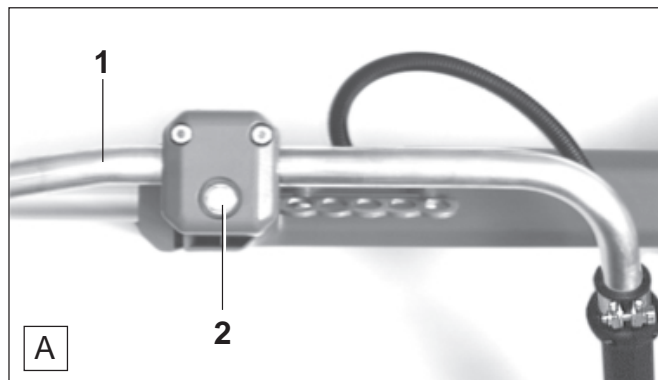


**ATTENTION:** avant de procéder à des travaux quel-conques sur la débroussailleuse, il faut absolument éteindre le moteur, retirer la cosse de la bougie d'allumage et porter des gants de protection!

**ATTENTION:** La débroussailleuse ne peut être démarrée qu'après avoir été assemblée et vérifiée!

### Montage de la poignée tubulaire

La poignée tubulaire (A/1) est livrée montée en parallèle au tube principal.



- Desserrer la vis de fixation (A/2) avec la clé universelle jusqu'à ce que la poignée tubulaire puisse être tournée de 90°.

- Après que la poignée tubulaire s'est enclenchée à 90°, vissez légèrement la vis de fixation (B/2), car la poignée tubulaire doit être encore précisément ajustée à votre corps (voir chapitre "équilibrage de la débroussailleuse")


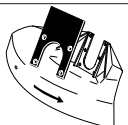






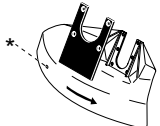



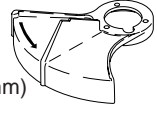
- Placer la poignée tubulaire à env. 45° par rapport au tube principal (C).

### Montage du capot de protection

**ATTENTION:** En raison des prescriptions de sécurité existantes, n'utilisent que les combinaisons outil/capot de protection indiquées dans le tableau! En cas de remplacement de l'outil de coupe, le capot de protection correspondant doit être impérativement monté.

**ATTENTION:** Utiliser uniquement les outils de coupe indiqués ici! L'utilisation d'autres outils accroît les risques d'accident et de détérioration de l'appareil et n'est donc pas autorisée!

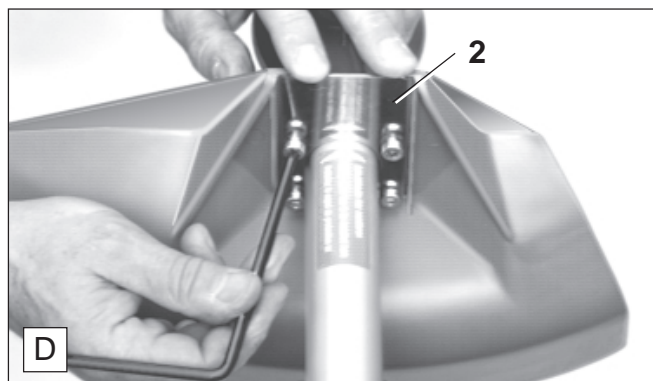
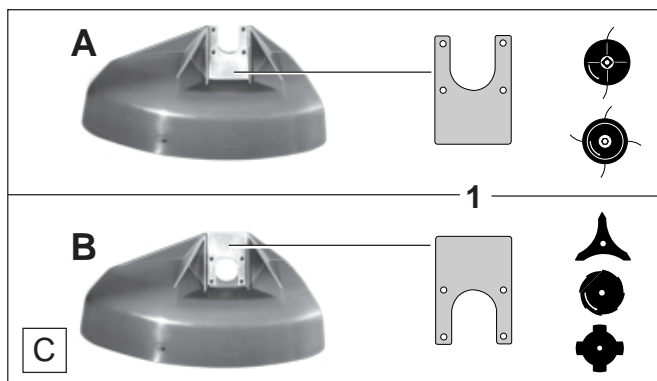
### Combinaisons Outil / Capots de protection pour DBC3310, DBC4010 et DBC4510

Outil de coupe	Capot de protection
<b>Couteau à 3 dents</b> , n° de pièce 385 224 130 Diamètre ext.: 300 mm, alésage: 20,0 mm	 N° de pièce 010 341 612 
<b>Disque de coupe à 8 dents</b> n° de pièce 385 224 180 Diamètre ext.: 255 mm, alésage: 20,0 mm	 N° de pièce 010 341 612 
<b>Couteau à 4 dents</b> n° de pièce 385 224 140 Diamètre ext.: 255 mm, alésage: 20,0 mm	 N° de pièce 010 341 612 
<b>Dispositif de coupe à 2 fils</b> n° de pièce 385 224 502 <b>Dispositif de coupe à 4 fils</b> n° de pièce 385 224 540 Zone de coupe: diam. 400 mm / n'utiliser fils de rechange qu'avec un diam. de 2,4 mm! 15 m n° de pièce 369 224 670 120 m n° de pièce 369 224 672	  N° de pièce 010 341 612 * Monter dispositif de coupe (couteau) n° de pièce 957 341 010! 
<b>Scie circulaire à gouge</b> n° de pièce 385 224 160 Diamètre ext.: 225 mm, alésage: 20,0 mm	 N° de pièce 010 341 640 (pour 225 mm) N° inscrit sur pièce: 385 341 045 
<b>Scie circulaire à gouge</b> n° de pièce 385 224 170 Diamètre ext.: 200 mm, alésage: 20,0 mm	 N° de pièce 010 341 630 (pour 200 mm) N° inscrit sur pièce: 385 341 030 

## ATTENTION:

Le capot de protection livré avec doit être absolument monté en correct position pour garantir votre protection personnelle et remplir les prescriptions pour la prévention contre les accidents.

La marche de la débroussailleuse sans dispositif de sécurité n'est pas autorisée!



La plaque de fixation (C/1) a une certaine position de montage suivant l'outil utilisé (dispositif à 2 fils ou outil métallique).

Les différentes positions de montage permettent une fixation plus ou moins haute du capot de protection.

La position de montage (A) est pour l'utilisation avec dispositif à 2 fils.

La position de montage (B) de la plaque de fixation est pour l'utilisation avec les outils métalliques:

- Couteau à 4 dents
- Disque de coupe à 8 dents
- Couteau à 3 dents

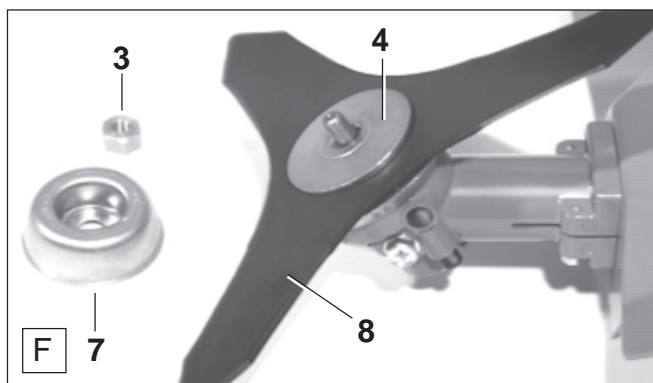
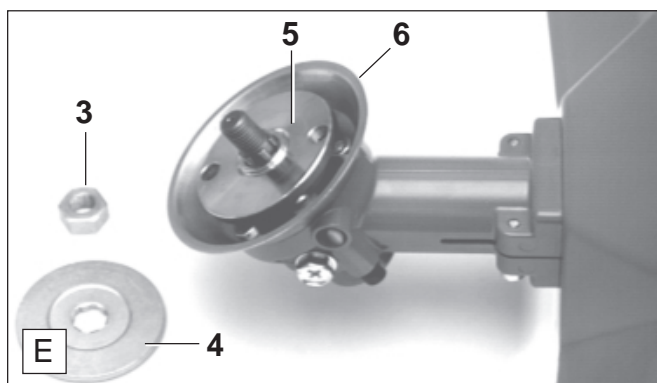
Lors de l'utilisation de la scie circulaire à gouge, le capot de protection métallique doit être monté (voir page 37).

- Pour le montage, placer le capot de protection sur le réducteur angulaire, poser la plaque de fixation conformément à l'utilisation de l'outil désirée (D/2) sur le capot de protection et serrer les vis de fixation avec la clé.

## Montage du couteau à 3 dents, du disque de coupe à 8 dents et du couteau à 4 dents



Pour monter les outils couteau, il est impératif d'arrêter le moteur, de retirer la cosse de bougie et de porter des gants de protection!



A l'utilisation des outils indiqués ci-dessus, monter le capot de protection avec la plaque de fixation en position (B) (voir "Montage du capot de protection")!

- Dévisser de l'arbre l'écrou de fixation (E/3) dans le sens des aiguilles d'une montre.

**Attention: L'écrou de fixation a un filet à gauche!**

- Retirer le disque de pression (E/4) et le disque d'arrêt (E/5).
- Monter le couvercle supérieur (E/6) (trois vis).
- Replacer le disque d'arrêt (E/5) (respecter la position de montage).

- Placer l'outil (F/8) puis le disque de pression (F/4) comme montré sur la photo.



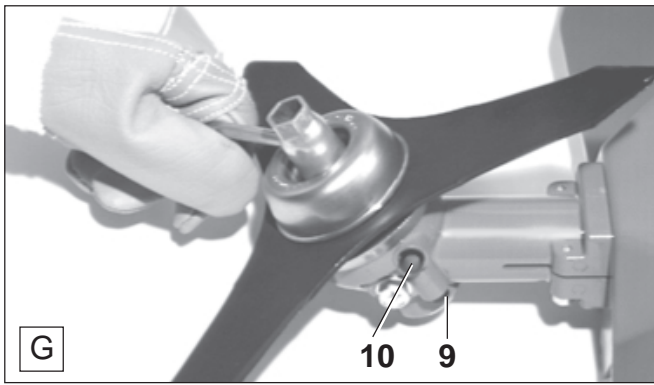
**Attention! Le couteau à 3 dents représenté sur la figure. Respecter impérativement le sens de rotation lors de l'apose du disque de coupe à 8 dents (flèche sur outil et capot de protection)!**

- Placer le bol de glissement (F/7) et visser l'écrou de fixation (F/3) à la main sur l'arbre.

Le bol de glissement se trouve dans les accessoires de l'appareil!



**Attention:** L'écrou de fixation (F/3) est équipé d'un anneau en matière plastique et doit être remplacé immédiatement pour des mesures de sécurité si son vissage est trop facile ou au plus tard, après un dévissage opéré 10 fois! (N° de commande 385 228 041)

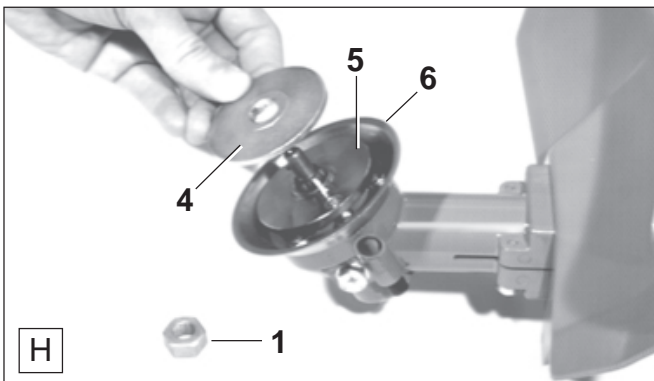


- Appuyer sur le bouton de blocage (G/9) et le tenir enfoncé et tourner l'arbre avec la clé combinée dans le sens contraire des aiguilles d'une montre jusqu'à ce que le bouton s'enclenche et bloque l'arbre.
- Bloquer l'écrou de fixation à l'aide de la clé combinée dans le sens contraire des aiguilles d'une montre.
- Appuyer sur le bouton de déverrouillage (G/10) pour relâcher l'arbre. Le bouton d'arrêt (G/9) sort (tourner légèrement l'outil si nécessaire).
- Contrôler la bonne rotation du couteau.

Au démontage des outils de coupe, utiliser également le dispositif de blocage.

## Montage du dispositif de coupe à fils

Avant le montage du dispositif de coupe à fil, il est impératif d'arrêter moteur et de retirer la cosse de bougie!

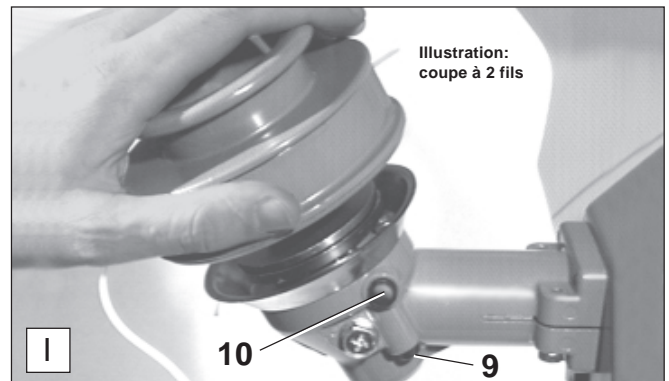


En cas d'utilisation du dispositif de coupe à fils, monter le capot de protection avec la plaque de fixation en position (A) (voir "Montage du capot de protection"). **Le couteau de fil doit être monté absolument.** (voir "Montage du couteau de fil")!

- Retirer l'écrou de fixation (H/1) de l'arbre en tournant dans le sens horaire inverse et conserver avec l'outillage d'entretien.

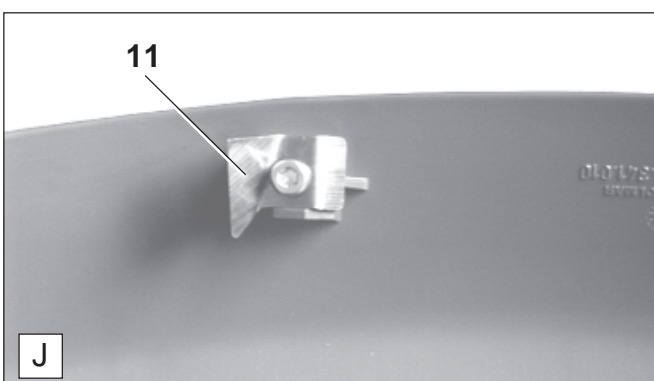
**Nota: L'écrou de fixation a un filet à gauche !**

- Placer le disque de pression (H/4) comme montré sur la figure.



- Le couvercle supérieur (H/6) doit être monté si nécessaire (trois vis), pour cela enlever auparavant le disque de réception (H/5) (respecter la position de montage).
- Visser le dispositif de coupe à fils sur l'arbre dans le sens contraire des aiguilles d'une montre.
- Appuyer sur le bouton d'arrêt (I/9) dans le sens de la flèche et tourner le dispositif de coupe dans le sens contraire des aiguilles d'une montre jusqu'à ce que le bouton s'enclenche et que l'arbre soit bloqué.
- Visser et bloquer à la main le dispositif de coupe.
- Appuyer sur le bouton de déverrouillage (I/10) pour libérer l'arbre. Le bouton d'arrêt (I/9) sort (tourner légèrement le dispositif de coupe si nécessaire).
- Vérifier la bonne rotation du dispositif de coupe à fils.

## Montage du couteau de fil



Le couteau de fil et la vis se trouvent avec les accessoires fournis.

- Le couteau de fil (J/11) sera fixé avec la vis sur le capot de protection comme montré sur la figure.

**Nota :**

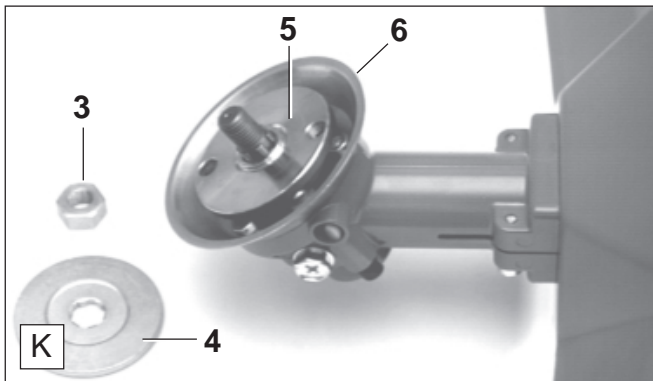
Si la longueur du fil a été réajusté (voir page 43), le couteau de fil coupe automatiquement les extrémités du fil à la même longueur pendant le service.

**Attention :**

**Ne réajuster la longueur de fil que si le moteur est à l'arrêt!**

## Montage du capot de protection métallique et de la scie circulaire à gouge

Pour monter les outils coupeau, il est impératif d'arrêter le moteur, de retirer la cosse de bougie et de porter des gants de protection!

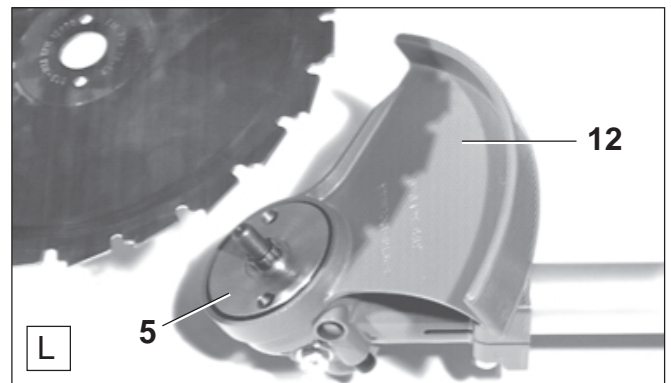
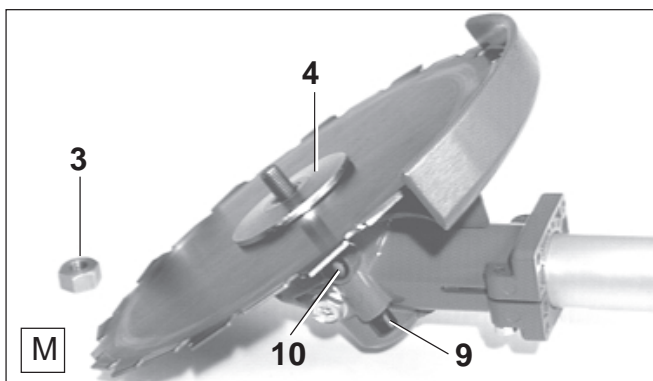


Le capot de protection métallique doit être monté lors de l'utilisation de l'outil indiqué ci-dessus.

- Dévisser l'écrou de fixation (K/3) de l'arbre, dans le sens des aiguilles d'une montre.

**Attention: L'écrou de fixation a un filet à gauche!**

- Retirer le disque de pression (K/4) et le disque d'arrêt (K/5).



- Dévisser le couvercle supérieur s'il est monté (K/6) (trois vis).
- Fixer avec les vis le capot de protection en acier (L/12).
- Placer le disque d'arrêt (L/5).
- Placer la vis circulaire et ensuite le disque de pression (M/4) comme montré sur la figure.



**Attention: Lors de la pose de la scie circulaire, respecter impérativement le sens de rotation (flèche sur le capot de protection métallique et sur la scie circulaire indiquant le même sens de rotation)!**

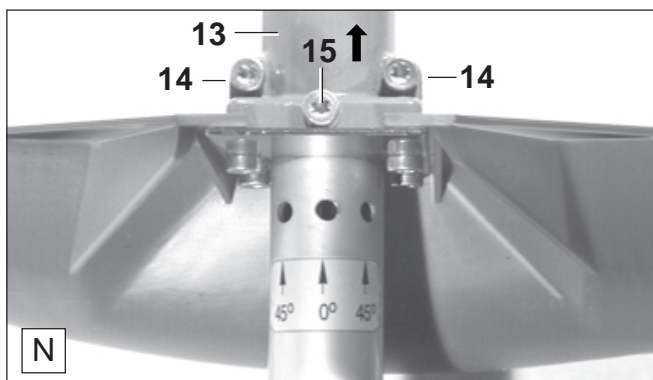


**Attention:** L'écrou de fixation (K/3) est équipé d'un anneau en matière plastique et doit être immédiatement remplacé pour des raisons de sécurité si son vissage est trop facile ou au plus tard, après un dévissage opéré 10 fois!

(N° de commande 385 228 041)

- Visser l'écrou de fixation (M/3) à la main sur l'arbre.
- Appuyer dans le sens de la flèche sur le bouton d'arrêt (M/9), maintenir la pression et tourner l'arbre avec la clé combinée dans le sens contraire des aiguilles d'une montre jusqu'à ce que le bouton d'arrêt s'enclenche et bloque l'arbre.
- Bloquer l'écrou de fixation, dans le sens contraire des aiguilles d'une montre, avec la clé combinée.
- Appuyer sur le bouton de déverrouillage (M/10) pour relâcher l'arbre. Le bouton d'arrêt (M/9) sort (tourner légèrement l'outil si nécessaire).
- Contrôler la bonne rotation de la scie circulaire.

## Le réducteur angulaire



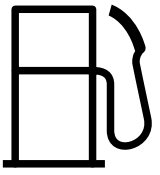
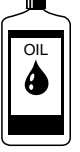
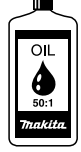

Pour faciliter le travail, par ex. sur des pentes ou dans des fossés, le réducteur angulaire (N/13) peut être tourné de 45° de chaque côté par rapport à la position normale.

### Réglage:

- Desserrer les 2 vis (N/14).
- Dévisser presque complètement la vis (N/15) et pousser le réducteur sur le tube principal jusqu'à ce que les trois trous soient visibles.
- Tourner le réducteur angulaire dans la direction désirée jusqu'à ce que la vis (N/15) soit dans l'alignement du trou désiré.
- Repousser le réducteur, revisser d'abord la vis (N/15), puis revisser fortement les deux vis (N/14).

## Mélange carburant



Carburant	40:1 autre huile	50:1 huile MAKITA	100:1 huile MAKITA
			
1.0 Us-gal. (3.7 l)	3.2 floz. (94 cm <sup>3</sup> )	2.5 floz. (75 cm <sup>3</sup> )	1.3 floz. (38 cm <sup>3</sup> )
2.5 Us-gal. (9.4 l)	8.0 floz. (236 cm <sup>3</sup> )	6.4 floz. (189 cm <sup>3</sup> )	3.2 floz. (94 cm <sup>3</sup> )
5.0 Us-gal. (18.9 l)	16.0 floz. (473 cm <sup>3</sup> )	12.8 floz. (378 cm <sup>3</sup> )	6.4 floz. (189 cm <sup>3</sup> )

Le moteur de la débroussailleuse est un moteur à 2 temps de haute performance. Celui-ci utilise un mélange d'essence et d'huile moteur 2 temps.

Le carburant pour le moteur doit être de l'essence normale sans plomb avec un indice d'octane > 91. Si un carburant correspondant n'était pas disponible, l'utilisation d'un carburant avec un indice d'octane > est possible. Cela ne produira pas d'endommagement au moteur, mais il faut s'attendre à une puissance de coupe amoindrie.

La même chose se produit en cas d'utilisation de carburant plombé. **Pour cette raison, utiliser du carburant sans plomb pour une marche optimale du moteur et pour la protection de la santé et de l'environnement! Il ne faut pas utiliser d'essence contenant de l'alcool avec les produits MAKITA.**

Le graissage du moteur est réalisé par une huile moteur à deux temps (échelle de qualité API-TC) qui est additionnée au carburant. En usine le moteur a été réglé pour l'huile moteur deux temps très performante de MAKITA HP 100 avec un rapport de mélange de 100:1. Ceci garantit une longue durée de vie et un fonctionnement fiable avec un très faible dégagement de fumées du moteur.

L'huile deux temps de haute performance MAKITA HP 100 est disponible dans un bidon à la contenance suivante:

0,5 l N° de commande 980 008 609

L'huile deux temps de haute performance MAKITA peut être livrée selon les besoins dans bidons aux contenances suivantes:

1 l N° de commande 980 008 607

100 ml N° de commande 980 008 606

En cas de non-utilisation d'huile deux temps à haute performance MAKITA, il est impératif d'observer un rapport de mélange de 40:1 en cas d'utilisation d'autres huiles deux temps. Sinon, un fonctionnement impeccable ne peut être garanti.

### Réalisation du rapport correct du mélange

**50:1** En utilisant l'huile deux temps de haute performance MAKITA, ceci signifie mélanger 50 parties d'essence avec une partie d'huile

**100:1** En utilisant l'huile deux temps de haute performance MAKITA HP 100, ceci signifie mélanger 100 parties d'essence avec une partie d'huile

**40:1** En utilisant une autre huile moteur deux temps, ceci signifie mélanger 40 parties d'essence avec une partie d'huile

### Nota:

Pour la production du mélange essence/huile, verser le volume d'huile prévu dans la moitié du volume d'essence, mélanger et verser le reste du volume d'essence. Avant le remplissage du mélange dans le réservoir, le remuer énergiquement.

Il n'est pas conseillé d'augmenter la quantité d'huile dans le rapport des mélanges au dessus de ce qui est indiqué pour une raison de sécurité exagérée car les dépôts de combustion seront plus importants, cela nuit à l'environnement et finit par obstruer les canaux d'échappement du cylindre, ainsi que le silencieux et le pare-étincelles. En plus de cela, la consommation de carburant augmente et la puissance diminue.

## EVITEZ LE CONTACT AVEC LA PEAU ET LES YEUX!

La manipulation des carburants demande une grande attention et précaution. Les carburants peuvent contenir des substances semblables aux solvants. Remplir le réservoir seulement dans les locaux bien aérés ou à l'air libre. Ne pas aspirer les vapeurs d'essence, ne pas aspirer les vapeurs d'essence, elles sont nocives et peuvent susciter des dommages corporels. Les produits pétroliers, ainsi que les huiles, dégraissent la peau. Lors d'un contact répété et prolongé la peau se dessèche. Les suites peuvent être différentes maladies de peau. D'autre part, on connaît les réactions allergiques. Le contact avec les yeux de l'huile conduit à des irritations. en cas de contact, rincer immédiatement l'oeil avec de l'eau claire.

**Si l'irritation continue, consulter immédiatement un médecin.**

## Stockage du carburant

Les carburants ne sont stockables que de manière restreinte. Les carburants et les mélanges de carburant vieillissent. Le carburant stocké trop longtemps et les mélanges de carburant peuvent causer des problèmes de démarrage. N'acheter que la quantité de carburant à consommer en l'espace de quelques mois.

**Stocker le carburant uniquement dans des récipients homologués au sec et à l'abri.**

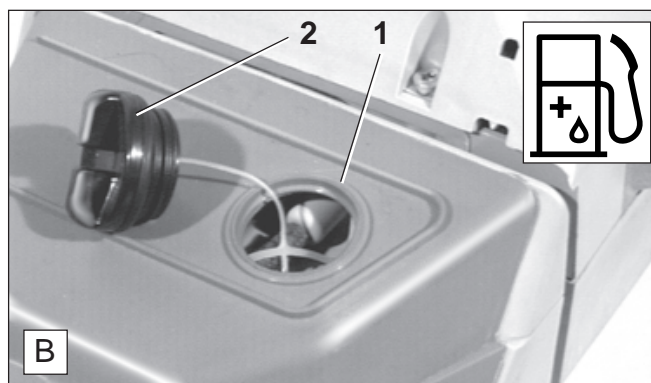
## Remplissage du réservoir



## RESPECTER IMPERATIVEMENT LES REGLES DE SECURITE!

**La manipulation de carburants exige une manipulation avec précaution et prudence.**

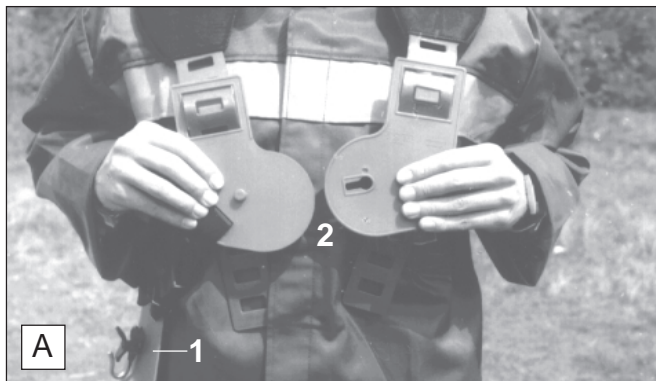
**Ne le faire que si le moteur est arrêté!**



- Nettoyer soigneusement le pourtour du bouchon du réservoir (B/1) pour que la crasse ne puisse pénétrer dans le réservoir.
- Avant de faire le plein, mettre la débroussailleuse dans une position stable.
- Dévisser le bouchon du réservoir (B/2) et verser le mélange de carburant jusqu'au niveau du bord inférieur de la tubulure de remplissage. Procéder avec précaution pour ne pas renverser de carburant.
- Revisser fermement le capuchon du réservoir.

**Nettoyer le capuchon et le pourtour après remplissage!**

## Mise en place du harnais



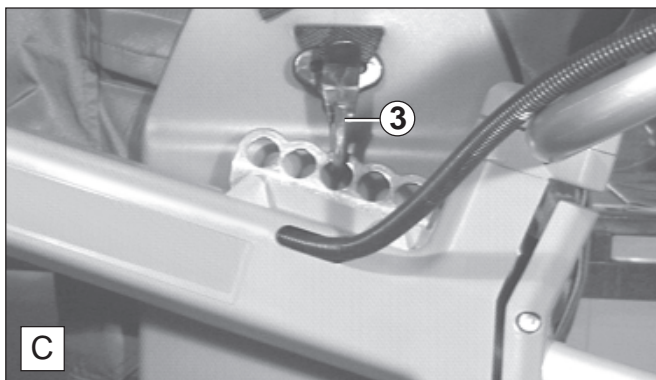
- Placer le harnais sur les deux épaules de façon à ce que la plaque pour la hanche (A/1) pende du côté droit.
- Régler le harnais de façon à ce que la plaque pour la poitrine (A/2) repose sur la poitrine.



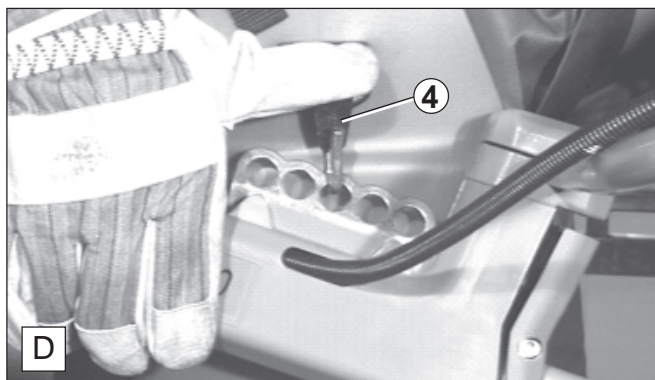
- Avec la courroie de poitrine, régler la hauteur de la plaque de hanche de façon à ce que le crochet d'attache soit à environ une largeur de main au-dessus de l'os de hanche.
- Pour ouvrir le harnais, séparer les deux plaques de poitrine l'une de l'autre.

Le harnais et la débroussailleuse peuvent être retirés rapidement.

## Equilibrage de la débroussailleuse



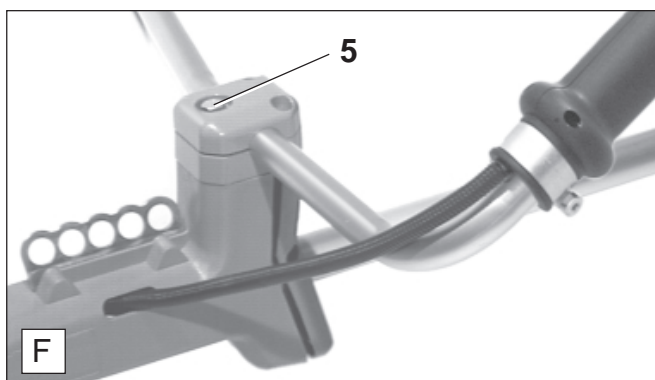
- Remplir le réservoir de la débroussailleuse.
- Accrocher la débroussailleuse au crochet de fixation (C/3) de la plaque de la hanche.
- Cinq trous sont prévus dans la barre percée pour l'équilibrage de la débroussailleuse.



- Pour retirer la débroussailleuse, appuyer d'abord sur le dispositif de verrouillage (D/4) puis décrocher la débroussailleuse.



- La distance de l'outil de coupe par rapport au sol dépend de l'outil de coupe.
- A l'utilisation du dispositif de coupe à 2 fils ou du couteau à 3 dents sur terrain plat, l'outil de coupe ou le bol de glissement doivent reposer légèrement sur le sol sans toucher l'appareil avec les mains.
- A l'utilisation du couteau à 4 dents ou du disque de coupe à 8 dents, et également en cas de terrain difficile, l'outil de coupe doit se trouver à environ 12" (30 cm) au-dessus du sol sans toucher l'appareil avec les mains.



- Corriger éventuellement la position des poignées suivant les conditions de travail et serrer fortement la vis de fixation (F/5).

## Mise en service



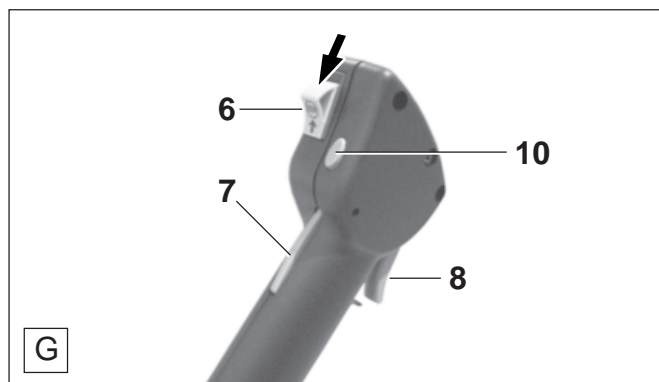
Observer les règlements de prévoyance contre les accidents!

La débroussailleuse ne peut être démarrée qu'après l'avoir complètement assemblée et vérifiée!

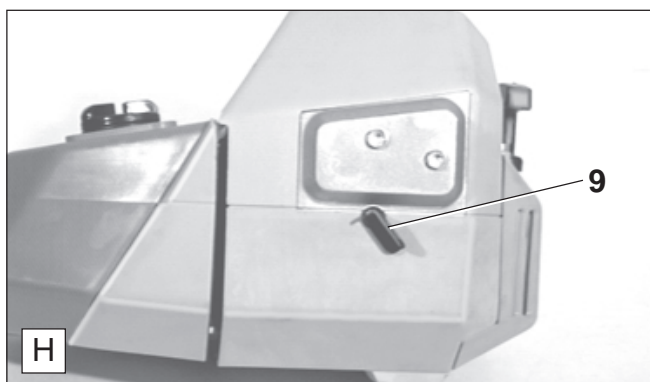
### Démarrage

- Procéder au démarrage à 10 pieds (3 m) du lieu de remplissage de carburant.
- Adopter une position stable et poser la débroussailleuse sur le sol de manière à ce que l'outil de coupe ne touche pas le sol ou autres objets.

### Démarrage à froid



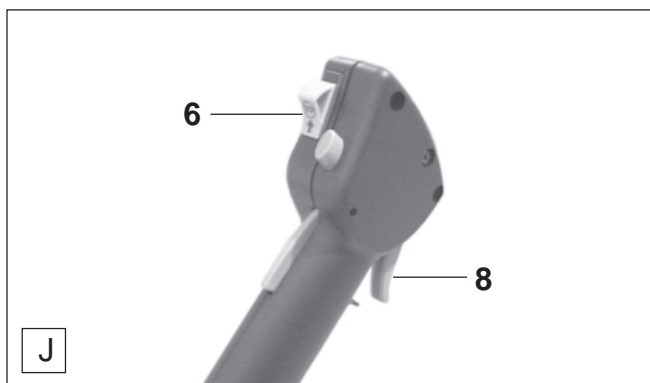
- Tourner le bouton (G/6) dans le sens de la flèche.
- Verrouiller l'arrêt de l'admission réduite. Pour cela, appuyer sur la manette des gaz (G/8) en pressant la touche de verrouillage (G/7) et ensuite l'arrêt (G/10). Puis, relâcher la manette des gaz (G/8) et ensuite la touche de verrouillage (G/7).



- Tourner le levier du starter (H/9) vers le bas.



- Maintenir la débroussailleuse avec une main comme sur la figure.
- Tirer lentement sur la poignée de lancement jusqu'à sentir une résistance, puis tirer énergiquement.
- Ne pas dérouler complètement le câble de lancement et laisser celui-ci s'enrouler lentement.
- Recommencer le démarrage jusqu'au premier allumage du moteur.
- Tourner le levier du starter (H/9) vers le haut et tirer à nouveau sur le câble de lancement jusqu'à ce que le moteur démarre.



- Après le démarrage du moteur, appuyer à fond sur la manette des gaz (J/8) et la relâcher, la position demi-gaz se débloque.
- Laisser chauffer le moteur env. 1 min. à vitesse modérée avant la pleine charge

### Démarrage à chaud

Procéder de la même façon qu'à froid, mais sans actionner le starter.

### Arrêt du moteur

Pousser l'interrupteur (J/6) en position:





## Réglage du carburateur

### Information importante :

Le carburateur de cet outil est équipé de capuchons limiteurs qui limitent la plage de réglage et empêchent des réglages de mélange trop riche. Ceci assure une bonne performance du moteur et une consommation d'essence efficace.

Avant d'installer les capuchons, le constructeur réalise un «réglage de base».

**Le réglage du carburateur permet d'obtenir la puissance maximale. Celui-ci doit être effectué à moteur chaud et filtre à air propre, et si possible, par un spécialiste.**

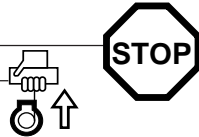
Le carburateur est réglé en usine pour une pression atmosphérique au niveau de la mer. Pour d'autres conditions de pression atmosphérique, et après le rodage d'une machine neuve, il peut être nécessaire de régler à nouveau le carburateur.

Un réglage exact du carburateur demande absolument un compte-tours (N° de commande 950 233 210).

Avant le réglage du carburateur, la machine doit être équipée de l'outil de coupe à utiliser et être laissée en marche pendant 3 à 5 minutes pour chauffer le moteur.

### Les opérations suivantes sont nécessaires pour un réglage correct:

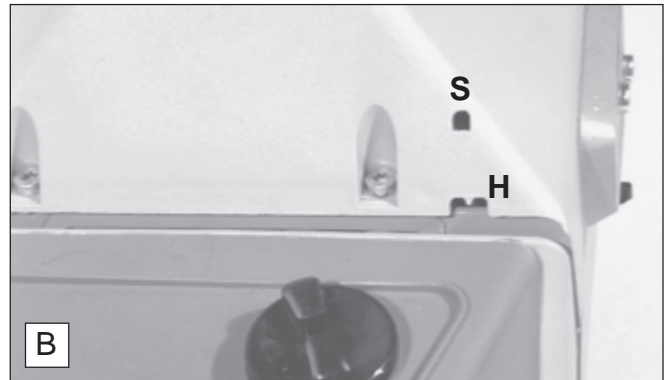
1. Contrôler le réglage de base
2. Démarrer le moteur
3. Régler le régime du ralenti
4. Régler la vitesse de rotation
5. Contrôler la vitesse du régime du ralenti
6. Contrôler l'accélération
7. Contrôler la vitesse de rotation max. resp. la puissance
8. Répéter les opérations à partir du point 3 jusqu'à ce que la vitesse de rotation du ralenti, la vitesse de rotation max. et l'accélération soient atteints pour le réglage trouvé.



### Réglage de base (point 1)



- Avant la première opération, s'assurer que les vis de réglages (H et L) n'ont pas été complètement vissées. Les capuchons limiteurs ne protègent pas le moteur d'un mélange pauvre.
- Tourner les deux vis de réglage (H et L) dans le sens inverse des aiguilles d'une montre aussi loin que possible.
- Démarrer le moteur et le laisser se chauffer (point 2).



### Régler le régime du ralenti (opération 3)

- Si l'outil de coupe tourne avec le moteur au ralenti, desserrer la vis de butée de ralenti (S) jusqu'à ce que l'outil ne tourne plus. La vitesse de rotation du ralenti doit être de 2300 à 2500 t/min.

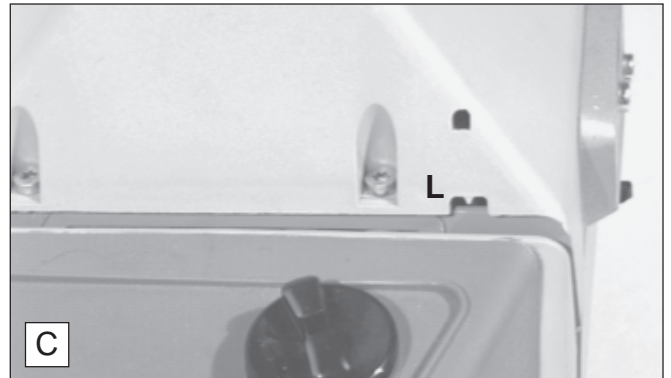
### Régler la vitesse de rotation (opér. 4)

- La vitesse de rotation maximale est à régler à l'aide de la vis de réglage du gicleur principal (H) de 13.000 à 13.500 t/min.

Un vissage de la vis de réglage du gicleur principal (H) diminue le pourcentage d'essence dans le mélange air-essence et le moteur tourne plus vite.

#### Attention:

Une vitesse de rotation supérieure à 13.500 t/min diminue la longévité de l'appareil.



### Contrôler la vitesse du régime du ralenti (opération 5)

- La vitesse de rotation au ralenti doit être contrôlée après le réglage de la vitesse de rotation maximale, entre 2.300 et 2.500 t/min (l'outil de coupe ne doit pas tourner) ou corrigée à l'aide de la vis du gicleur de ralenti (L). Un vissage de la vis (L) augmente la vitesse du moteur et un dévissage la diminue.

### Contrôler l'accélération (opération 6)

- Vérification de l'accélération, c.à.d. le temps nécessaire pour passer du ralenti à la vitesse maximale par actionnement brusque de la manette des gaz.
- Si l'accélération n'est pas suffisante, dévisser la vis de réglage (L) d'environ 1/8 de tour.

## TRAVAUX DE MAINTENANCE

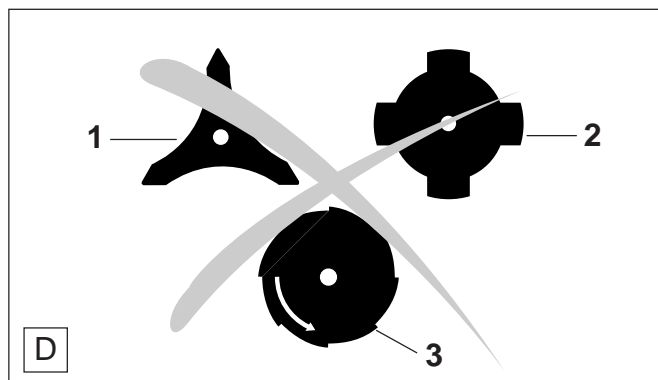


**ATTENTION:** avant de procéder à des travaux quelconques sur la débroussailleuse, il faut **absolument éteindre le moteur**, retirer la cosse de la bougie d'allumage et porter des gants de protection!

**ATTENTION:** La débroussailleuse ne peut être démarrée qu'après l'avoir complètement assemblée et vérifiée!

### Affûtage de l'outil de coupe

Attention: Porter des gants à l'affûtage!



**Attention:** Les outils de coupe suivants ne doivent être affûtés que par un atelier spécialisé car un affûtage à la main pourrait produire un balours, et par là, des vibrations et endommagement de l'appareil.

- Couteau à 3 dents (D/1)
- Disque de coupe à 8 dents (D/2)
- Couteau à 4 dents (D/3)

Un affûtage et un équilibrage professionnel peut être effectué dans chaque atelier MAKITA.

**Nota :** Le couteau à 3 dents et le couteau à 4 dents peuvent être tournés pour prolonger la durée d'utilisation jusqu'à ce que les deux côtés tranchants soient émoussés.

### Scie circulaire à gouge

A l'affûtage de la scie circulaire à gouge (E/4) avec une lime ronde, il faut observer que les dents soient réaffûtées régulièrement.

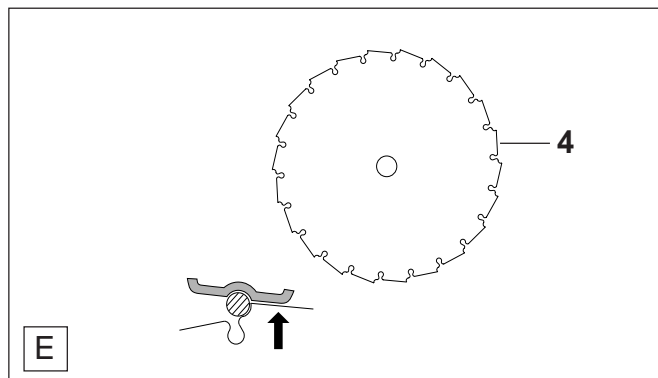
Si seulement une dent est endommagée, toutes les autres dents doivent être alors affûtées de façon semblable.

Si des dents sont cassées, la scie circulaire à gouge doit être remplacée.

Un outil affûté irrégulièrement produit un balours, et par là, de fortes vibrations, provoquant un endommagement de l'appareil et donc des vibrations aux poignées.

La scie circulaire à gouge doit être affûtée avec la lime ronde  $\varnothing$  5,5 mm et support de lime (n° de commande 953 009 000). Toutes autres limes rondes ne sont pas adéquates.

A l'affûtage manuel de la scie montée, s'assurer que la débroussailleuse est posée de façon sûre.

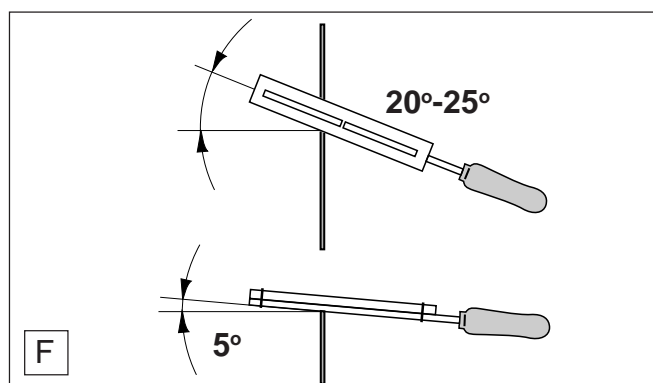


Affûter seulement le flanc d'attaque. Le support de lime doit reposer sur le dos des dents (flèche).

Après plusieurs affûtages, la scie circulaire à gouge doit être réaffûtée et équilibrée dans un atelier spécialisé.

**Attention:**

Pour des raisons de sécurité, un outil de coupe endommagé ne doit pas être redressé ou soudé.

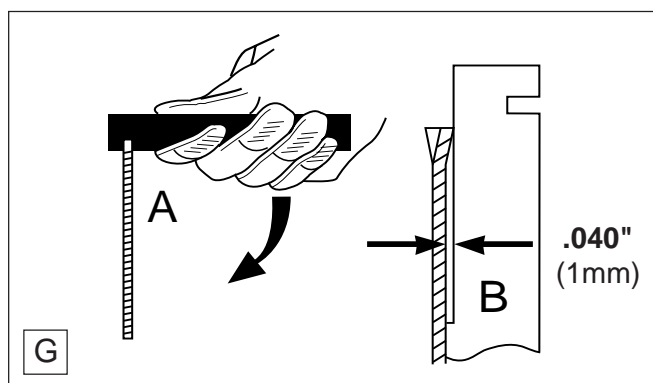


L'angle d'affûtage de 20-25° doit être maintenu (F).

La marque sur le support de lime doit être parallèle à la scie circulaire.

L'angle d'inclinaison est d'env. 5° (F).

### Contourner les dents



Si la scie circulaire se coince dans la fente de la coupe, contrôler la voie des dents.

La voie doit être de .040" (1 mm).

Pour donner la voie, utiliser un fer à contourner (n° de commande 953 385 010). Le fer à contourner est disponible en tant qu'accessoire.

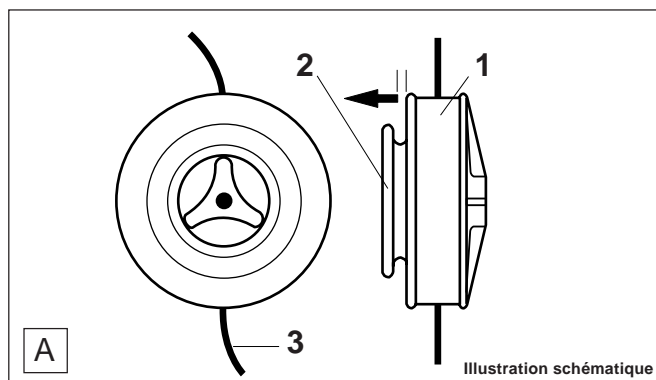
Le sens de la voie d'origine des dents doit être maintenu!

Placer le fer à contourner sur la dent et l'appuyer vers le bas (A).

Contrôler en maintenant le fer à contourner contre la scie circulaire. Les dents doivent être contre la partie en recul du fer à contourner (B)

## Dispositif de coupe à fils

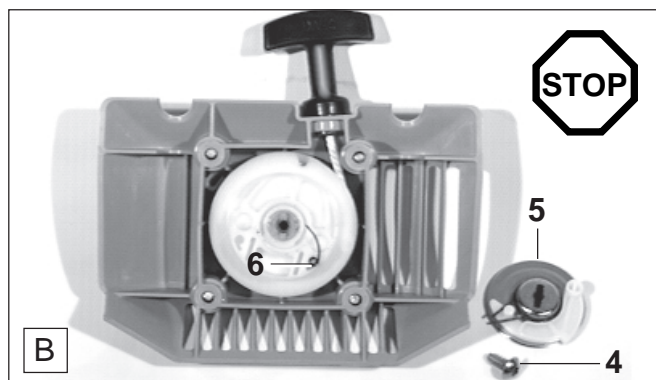
### Réajustage de la longueur des fils



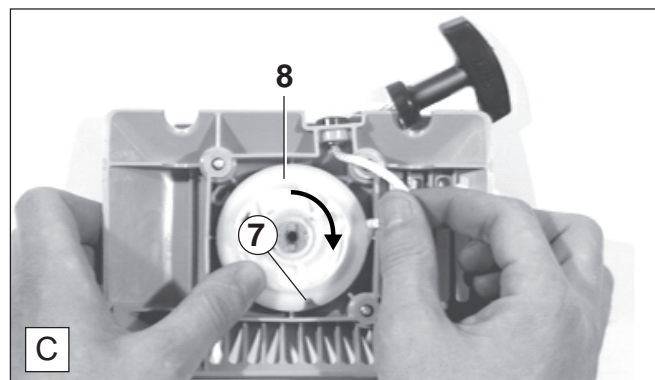
- Maintenir le boîtier (A/1), tirer le couvercle (A/2) d'env. 3 mm dans le sens de la flèche contre la pression du ressort jusqu'à ce que le couvercle du boîtier puisse être tourné dans le sens contraire des aiguilles d'une montre.
- Relâcher le couvercle du boîtier (A/2) et continuer à tourner dans le sens des aiguilles jusqu'à ce qu'il s'enclenche à nouveau.
- Tirer sur les deux extrémités de fil (A/3) jusqu'au bout. Répéter l'opération jusqu'à l'obtention d'une longueur de fil d'env. 6" (15 cm).

Pour le changement du fil, une description détaillée est livrée avec le dispositif de coupe à fils.

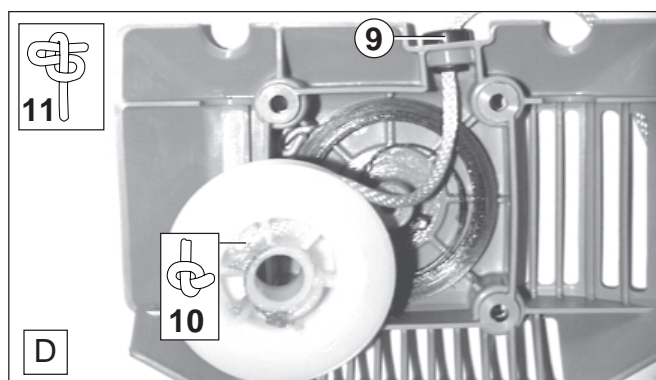
### Changement du câble de lancement



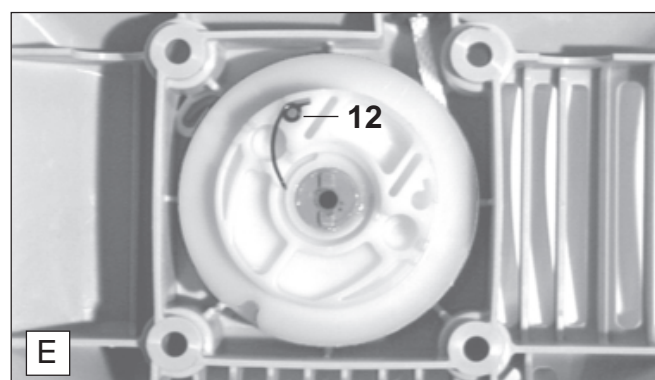
- Dévisser le carter de ventilateur
- Dévisser la vis centrale (B/4).
- Retirer le disque de guidage (B/5) avec cliquet et ressort de freinage.
- Retirer le ressort du cliquet (B/6).



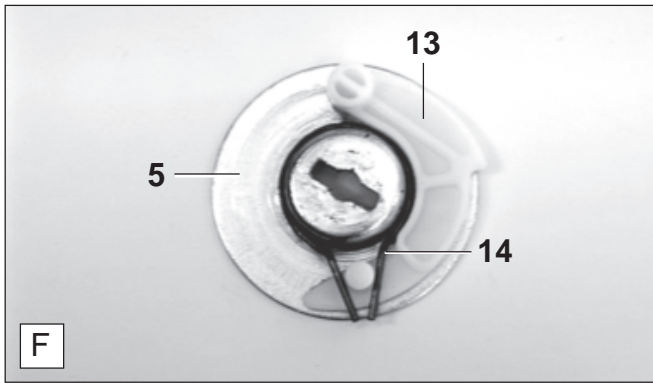
- Tirer d'env. 12" (30 cm) sur la poignée de lancement.
- Maintenir le tambour et sortir le câble avec un tournevis ou quelque chose de semblable.
- Placer le câble dans la gorge (C/7) du tambour et laisser tourner celui-ci dans le sens de la flèche jusqu'à ce que le ressort soit détendu.
- Retirer le tambour (C/8).
- Si le câble est cassé, retirer le reste du tambour et de la poignée de lancement.
- Avant le remontage du tambour, graisser légèrement l'axe central avec de la graisse universelle (n° de commande 944 360 000).



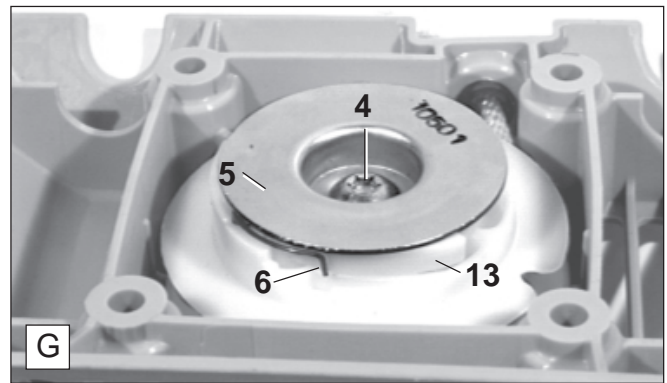
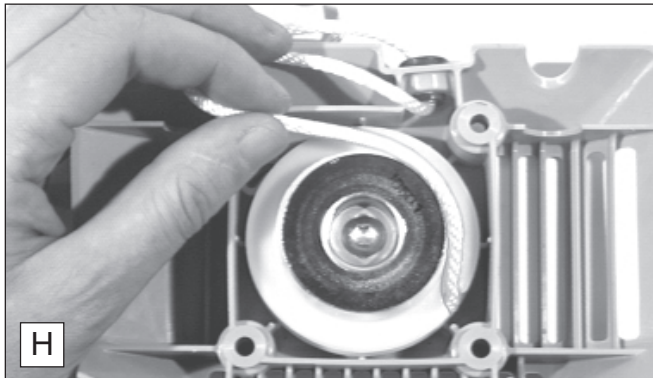
- Faire passer le câble dans la douille (D/9), puis dans le trou du tambour de l'extérieur vers l'intérieur.
- Faire un nœud à l'extrémité du câble (D/10) et l'enfoncer dans le tambour.
- Faire un nœud (D/11) à l'autre extrémité et le repousser dans la poignée de lancement.
- Enrouler le câble d'env. 3 tours 1/4 sur le tambour. Observer le sens de rotation (en position de montage contre les sens des aiguilles d'une montre)!



- Monter le tambour dans le carter et vérifier si le ressort de rappel s'accroche correctement en tournant dans le sens contraire des aiguilles d'une montre.
- Placer le ressort de cliquet (E/12) comme indiqué sur la figure.



- Graisser légèrement le disque de guidage (F/5) avec de la graisse universelle et monter le cliquet (F/13) et le ressort de freinage (F/14) comme représenté sur la figure.



- Monter le disque de guidage (G/5) avec cliquet et ressort de freinage sur le tambour, de façon à ce que le ressort du cliquet (G/6) soit contre le cliquet (G/13).
- Tourner le disque de guidage (G/5), de façon à ce que le tenon de l'arbre entre dans la fente du disque de guidage.
- Visser la vis (G/4).
- Tirer sur le câble et le guider dans la fente du tambour, puis tourner ensemble avec le tambour d'env. 1 tour contre le sens des aiguilles d'une montre, relâcher le tambour et laisser le câble s'enrouler par la force du ressort.
- Répéter l'opération jusqu'à ce que la poignée de lancement se tienne droite contre le carter du ventilateur.
- Remonter le carter du ventilateur.

## Indications de maintenance

Les utilisateurs de débroussailleuses doivent effectuer que les travaux de maintenance et d'entretien qui sont décrits dans la notice d'emploi. Les travaux non compris dans cette liste ne doivent être exécutés que dans un atelier spécialisé de MAKITA.

Après avoir rempli 50 fois le réservoir, faire effectuer un entretien minutieux et une révision approfondie de la débroussailleuse par un atelier spécialisé MAKITA.

### Entretien journalier

Les trav. d'entretien suivants doivent être effectués tous les jours après utilisation:

- Nettoyer la débroussailleuse de l'extérieur et vérifier si elle n'a pas d'endommagement.
- Nettoyer le filtre à air (voir ci-dessous). Effectuer plus souvent cette opération après travail dans des conditions extrêmement poussiéreuses.
- Vérifier la fixation et le bon état de l'outil de coupe.
- Vérifier si l'espace entre le ralenti et l'accouplement de l'embrayage est suffisant pour que l'outil soit à l'arrêt quand le moteur est au ralenti (au besoin, réduire le ralenti, voir page 41). Si l'outil de coupe continue de tourner au ralenti, présenter l'appareil à un atelier.
- Vérifier le fonctionnement de la touche de verrouillage, de l'interrupteur marche/arrêt et de la manette des gaz (voir page 40).

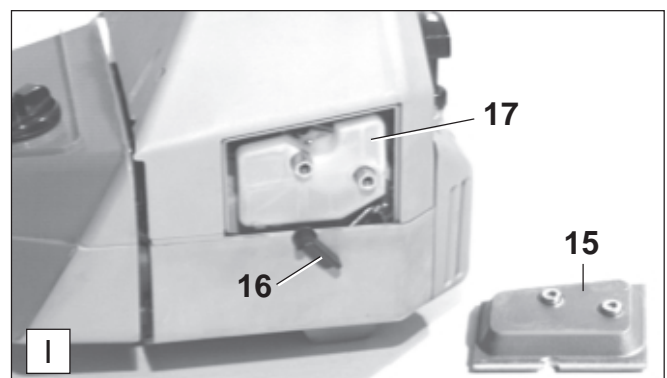
### Nettoyage du filtre à air



- Retirer le couvercle du filtre (I/15). Fermer le levier du starter (I/16) pour éviter que des saletés ne tombent dans le carburateur.
- Retirer le filtre à air (I/17) et le nettoyer avec un pinceau ou une brosse douce.

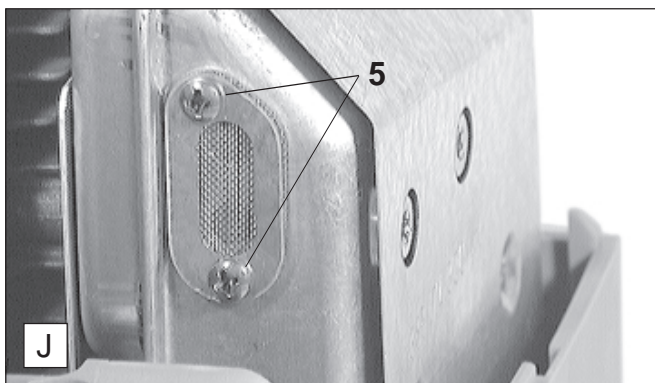
**Attention: Pour éviter les blessures au niveau des yeux, ne pas souffler sur les saletés.**

- Laver les filtres à air fortement encrassés dans une eau de lessive tiède à l'aide d'un produit de nettoyage disponible dans le commerce.
- En cas de fort encrassement, nettoyer plus souvent (plusieurs fois par jour), car seulement un filtre à air propre garantit la pleine performance du moteur.
- Avant le montage du filtre à air, contrôler le clapet du starter si des saletés y sont tombées. Nettoyer avec un pinceau si nécessaire.
- **Bien sécher** le filtre à air et le remettre en place.



**Attention: Remplacer immédiatement le filtre à air endommagé. Des fissures et des particulières de saleté grossières peuvent détruire le moteur.**

## Changement / nettoyage du pare-étincelles



Il faut vérifier et nettoyer régulièrement le pare-étincelles.

- Retirer le protège-filtre (cf. „Vérification des boulons du silencieux“).
- Desserrer les 2 vis (J/5) et enlever le pare-étincelles.
- Nettoyer le pare-étincelles au moyen d'une brosse souple.

**ATTENTION:** N'utilisez pas d'objets coupants ou pointus pour nettoyer le pare-étincelles car vous pourriez endommager ou déformer les fils du pare-étincelles.

**IMPORTANT:** Si le pare-étincelles est endommagé, remplacez-le immédiatement!

- Remontez le pare-étincelles et serrez la vis.

## Entretien hebdomadaire

### Vérification / remplacement de la bougie

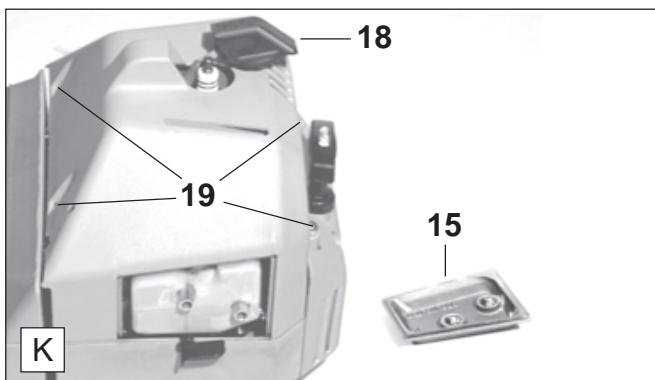


#### ATTENTION :

La bougie ou la fiche de bougie ne doit pas être touchée le moteur en marche (haute tension).

Effectuer les travaux d'entretien qu'à l'arrêt du moteur.

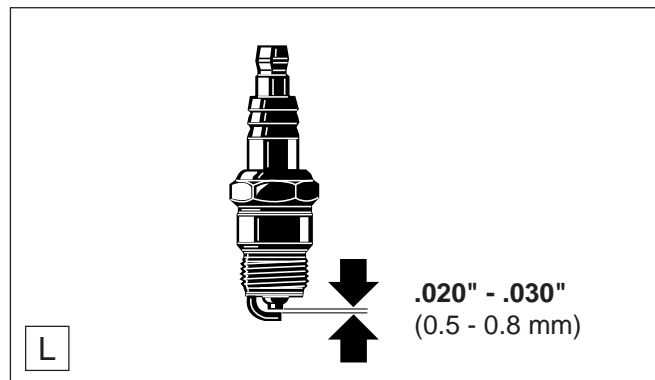
Risque de brûlure le moteur étant chaud. Porter des gants de protection!



Changer la bougie en cas d'endommagement de l'isolateur ou de forte usure des électrodes ou d'électrodes fortement encrassées ou huilées.

- Retirer la fiche de bougie (K/18) de la bougie. Utiliser la clé combinée livrée avec pour démonter la bougie.

**Attention:** Au changement, n'utiliser que la bougie **CHAMPION RCJ-6Y, BOSCH WSR 6F, NGK BPMR 7A.**



#### Ecartement des électrodes

L'ecartement des électrodes doit être de .020" - .030" (0,5 à 0,8 mm).

#### Contrôle de l'étincelle

- Appuyer la bougie desserrée contre le cylindre avec le câble d'allumage au moyen d'une pince isolée (pas à proximité du trou de la bougie!).
- Interrupteur marche/arrêt sur position "I".
- Tirer le câble de lancement énergiquement.

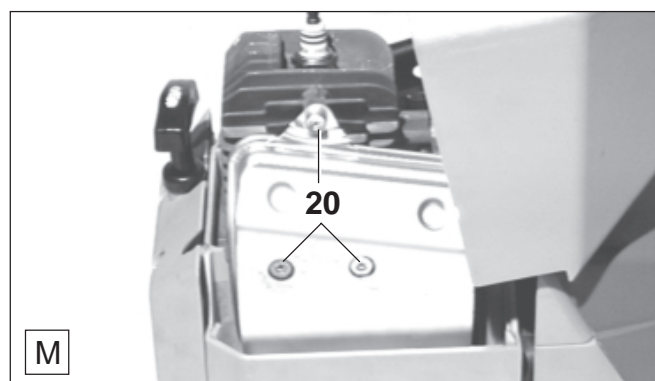
Si le fonctionnement est impeccable, une étincelle doit être visible aux électrodes.

## Contrôle des vis du silencieux



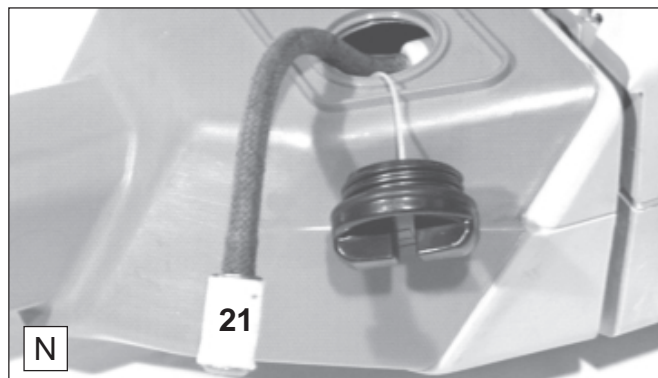
**Attention:** Les vis du silencieux ne doivent pas être revissées le moteur étant chaud!

- Enlever la fiche de bougie (K/18), dévisser et enlever le couvercle de filtre (K/15)).
- Dévisser les 4 vis de fixation du capot (K/19) et retirer celui-ci.
- Contrôler avec la clé si les vis du silencieux (M/20) sont bien logées. Si elles sont desserrées, serrer à la main (attention de ne pas trop serrer).



## Entretien périodique

### Tête d'aspiration dans réservoir de carburant

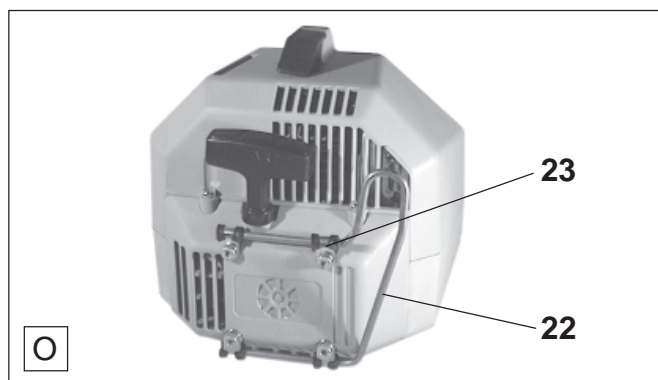


Le carburant aspiré par le carburateur est filtré par le feutre (N/21) de la tête d'aspiration.

L'état du feutre doit être soumis périodiquement à une vérification visuelle. Pour cela, sortir du réservoir la tête d'aspiration à l'aide d'un crochet en fil de fer. Le filtre en feutre encrassé, dur ou collant doivent être remplacé (voir "Extrait de la liste des pièces de rechange").

La diminution de l'alimentation en carburant peut provoquer le danger que la vitesse maximale autorisée du moteur soit dépassée. Pour garantir une alimentation correcte du carburateur, le filtre en feutre doit être changé environ tous les trimestres.

### Protège-silencieux

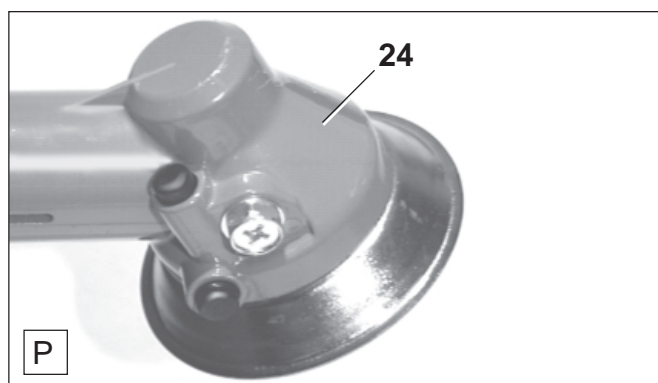


Vérifiez si le protège-silencieux (O/22) est en bon état. Un protège-silencieux défectueux, rompu ou manquant peut provoquer le feu notamment en cas de temps sec.

Remplacez immédiatement le protège-silencieux en cas de mauvais fonctionnement!

Vérifiez également les quatre bagues de serrage (O/23) avant d'utiliser la débroussailleuse. Remplacez immédiatement les bagues de serrage endommagées ! Le montage et le positionnement corrects du silencieux est essentiel pour garantir une protection contre toute incendie éventuelle provenant de l'échappement de l'appareil.

### Réducteur angulaire



Le réducteur angulaire (P/24) a un graissage permanent et ne demande pas d'entretien.

Si une quantité de graisse importante devait sortir du réducteur angulaire, présenter alors l'appareil à un atelier spécialisé MAKITA.

#### Service et entretien

Nous recommandons de faire régulièrement effectuer une vérification et un entretien profonds par un atelier spécialisé MAKITA.

**Tous les travaux d'entretien et de ré-lage non décrits dans les instructions d'emploi doivent être effectués par un atelier spécialisé MAKITA.**

## Mise hors-service et stockage

Si la débroussailleuse ne doit pas être utilisée pendant plus de 6 semaines, observer alors les conseils suivants.

- Observer les opérations d'entretien décrites aux pages 42 à 48.
- Vider complètement le réservoir et démarrer le moteur jusqu'à ce qu'il s'arrête par manque de carburant. Les carburants actuels peuvent seulement être stockés pendant un temps limité et peuvent provoquer des dépôts dans le réservoir ou dans le carburateur.
- Les restes de carburant en bidon doivent être utilisés pour d'autres moteurs ou éliminés.
- Nettoyer les outils de coupe métalliques et les huiler légèrement.
- Emmagasiner la débroussailleuse dans une pièce sèche.
- A la remise en service, utiliser du carburant frais et faire le mélange 2 temps prescrit.

## Indications de maintenance et d'entretien périodiques

De manière à garantir une longue durée de vie et le plein fonctionnement des dispositifs de sécurité et à éviter des détériorations, il faut effectuer régulièrement les travaux de maintenance décrits ci-dessous. Les réclamations ne pourront être reconnues comme telles si ces travaux ont été effectués régulièrement et correctement. Des accidents risquent de se produire en cas de non-observation.

			Page
<b>En général</b>	machine complète	Contrôle visuel des détériorations éventuelles et fixations éventuellement desserrées et de l'étanchéité du réservoir à essence	44-46
<b>après chaque remplissage du réservoir</b>	manette des gaz touche de verrouillage interrupteur marche-arrêt	Contrôle de fonctionnement	40
		Contrôle de fonctionnement	40
		Contrôle de fonctionnement	40
<b>journallement</b>	Filtre à air Outil de coupe Vitesse au ralenti	nettoyer	44
		vérifier l'absence d'endommagement et le tranchant	42
		contrôler (l'outil ne doit pas tourner avec)	41
<b>toutes les semaines</b>	bougie silencieux échappement	vérifier, au besoin changer	45
		contrôler, revisser les vis	45
<b>tous les trimestres</b>	tête d'aspiration réservoir	changer nettoyer	46
<b>longue mise hors-service</b>	réservoir carburateur	vidanger faire tourner mot. jusqu'à arrêt par manque de carb.	

## Service atelier, pièces de rechange et garantie

### Entretien et réparation

L'entretien et la réparation de débroussailleuses modernes ainsi que d'unités nécessitant une sécurité particulière exigent une qualification spécialisée et un atelier équipé de l'outillage spécial et des appareils de contrôle-

Par conséquent, MAKITA recommande de faire effectuer tous les travaux n'étant pas décrits dans le présent manuel par un atelier spécialisé MAKITA. Le spécialiste dispose de la qualification, des expériences et de l'équipement nécessaires pour vous soumettre la solution la plus avantageuse et pour vous donner des conseils

Veuillez relever sur le répertoire des points de service ci-jointe l'atelier spécialisé le plus proche de chez vous.

### Pièces de rechange

L'utilisation longue durée fiable et la sécurité de votre appareil dépend de la qualité des pièces de rechange utilisées. N'utilisez que des pièces de rechange d'origine MAKITA, signalées par



Seulement les pièces d'origine proviennent de la production de l'appareil et garantissent donc une qualité optimale en ce qui concerne les matériaux, le respect de cotes, le fonctionnement et la sécurité.

Les pièces de rechange d'origine et accessoires sont disponibles chez votre revendeur. Ils possèdent les listes de pièces de rechange nécessaires pour déterminer les numéros de pièces détachées et sont informés continuellement sur les améliorations de détails ou nouveautés dans l'offre des pièces de rechange.

La garantie de l'organisation MAKITA est supprimée à l'utilisation de pièces n'étant pas d'origine MAKITA.

## Garantie

MAKITA garantit une très bonne qualité et prend en charge les frais pour une amélioration par changement des pièces défectueuses en cas de défaut de matériel ou de fabrication se présentant dans le délai de garantie après la date de vente.

Observez que dans certains pays, des conditions spéciales de garantie sont valables. En cas de doute, demandez à votre vendeur. Comme vendeur du produit, il est responsable de la garantie.

Nous demandons votre compréhension du fait que la garantie ne couvre pas les causes d'endommagement suivantes:

- Non-observation des instructions d'emploi.
- Non-observation des travaux de nettoyage et d'entretien nécessaire.
- Dépassement de la vitesse de rotation maximale autorisée à cause d'un mauvais réglage du carburateur.
- Endommagement à cause d'un mauvais réglage du carburateur.
- usure normale
- une surcharge visible par dépassement permanent de la limite supérieure de puissance.
- utilisation de la force, manipulation non correcte, à d'autres fins ou cas d'accident.
- endommagement par surchauffage à cause d'encrassement au canal d'air de refroidissement.
- interventions de personnes non spécialisées ou essais de maintenance non corrects.
- utilisation de pièces de rechange non adéquates ou n'étant pas d'origine MAKITA si celles-ci sont la cause de l'endommagement.
- utilisation d'ingrédients non adéquats ou trop vieux.
- endommagements provenant des conditions d'utilisation à la location de l'appareil.
- endommagements causés par fixation dévissée et non resserrée à temps.

La garantie ne couvre pas les frais pour les travaux de nettoyage, d'entretien et de réglage. Tous les travaux de garantie doivent être effectués par un revendeur MAKITA.

## Recherche des causes de panne

Dérangement	Provenance	Observation	Cause
Le moteur ne démarre pas ou très mal	allumage	étincelle présente à la bougie  aucune étincelle à la bougie	Défaut dans alim. en carb., compression, défaut mécanique  interrupt. arrêt/marche en fausse pos..défaut ou court-circuit dans câblage, fiche de bougie défectueuse, bougie defect., allumage defec.
	alimentation carburant	réservoir est plein	starter en mauvaise position, carburat. defec., tête d'aspiration encrassée, tuyau de carb. plié ou coupé
	compression	à l'intérieur de l'appareil	joint défectueux du pied du cylindre, joints à lèvres endommagés du vilebrequin, cylindre ou segment du piston endommagé
	défaut mécanique	à l'extérieur de l'appareil  le dispositif de lancement ne s'enclenche pas	mauvaise étanchéité au filetage de la bougie  ressort cassé dans dispositif de lancement pièce cassée à l'intérieur du moteur
problème au démarrage à chaud		réservoir est plein étinc. prés. à la bougie	réglage non correct du carburateur
le moteur démarre, mais s'arrête immédiatement après	alimentation en carburant	carburant dans réservoir	réglage non correct du ralenti, tête d'aspiration ou carburateur encrassé  Aération du réservoir défectueuse, tuyau de carburant coupé, câble défectueux, interrupt. arrêt -marche défectueux
manque de puissance	plusieurs provenances simultanées peuvent en être la cause	appareil tourne au ralenti	filtre à air encrassé, mauvais réglage du carb.. silencieux d'échappement encrassé, dépôt important dans canal d'échappement du cylindre





## Agradecemos su confianza.

MAKITA desea tener en Ud. un cliente satisfecho. Ud. ha optado por una de las desbrozadoras a motor más modernas de MAKITA.

Las desbrozadoras DBC3310, DBC4010 y DBC4510 reúnen las ventajas de la técnica moderna y de un diseño ergonómico, para su empleo profesional y universal.

El mecanismo propulsor de alto rendimiento - el corazón de la desbrozadora - tiene una tecnología completamente nueva: El motor con un óptimo diseño de cilindro, los tiempos de mando controlados por computador y un encendido electrónico exento de mantenimiento posibilitan un rendimiento alto con un bajo consumo de combustible. El árbol de transmisión está diseñado para un exigente uso continuado, con nueve rodamientos y un robusto embrague de fuerza centrífuga. El depósito de combustible está montado delante, para lograr un centro de gravedad favorable y un buen equilibrio de la desbrozadora durante el trabajo.

Otras ventajas técnicas especiales de la desbrozadora de MAKITA son:

### - **Óptima amortiguación de vibraciones**

Cuatro elementos huecos de amortiguación cónicos montados entre el motor y el tubo principal por un lado, y el depósito de combustible con mangos por el otro, suprimen las vibraciones en forma considerable, facilitando al operador un trabajo descansado y confortable, incluso durante el uso continuado.

### - **Mango multifuncional**

Todas las funciones importantes están integradas en el mangoderecho.

### - **Fácil recambio de las herramientas de corte**

Gracias a un dispositivo de retención especial -una nueva tecnología de MAKITA- la herramienta de corte se bloquea simplemente presionando un botón, para poder cambiar la herramienta fácil y seguramente.

### - **Óptima insonorización**

El encapsulado completo del motor y la amortiguación del ruido de aspiración a través de una cámara de resonancia permiten un trabajo especialmente silencioso de la desbrozadora.

En el equipo están realizados los siguientes derechos de propiedad industrial: US 512606, EP 0438611, EP 0696414, GBM 9106194, GBM 9412925.

A efectos de garantizar su seguridad personal y un funcionamiento óptimo de la desbrozadora, le solicitamos que observe lo siguiente:

**Es indispensable leer con mucha atención las instrucciones de manejo antes de utilizar la desbrozadora por primera vez. ¡Preste especial atención a las recomendaciones de seguridad! ¡La no observación de estas instrucciones puede ocasionar lesiones con peligro de muerte!**



## Embalaje

Su desbrozadora MAKITA se encuentra en un cartón que la protege durante el transporte.

Los cartonajes son materias primas que se pueden volver a utilizar o bien se pueden reciclar (recuperación de papel usado).



## Indice

Página

<b>Embalaje</b> .....	50
<b>Volumen de suministro</b> .....	51
<b>Explicación de símbolos</b> .....	51

## INSTRUCCIONES DE SEGURIDAD

Recomendaciones generales .....	52
Accesorios de protección personal .....	52
Combustibles / Cargar combustible .....	53
Puesta en funcionamiento .....	53-54
Repulsiones (kickback) .....	54
Comportamiento y técnica de trabajo .....	55
Herramientos de corte .....	55
Transporte .....	55
Almacenamiento .....	55
Mantenimiento .....	56
Primeros auxilios .....	56

<b>Datos técnicos</b> .....	57
-----------------------------	----

<b>Denominación de piezas</b> .....	57
-------------------------------------	----

## PUESTA EN MARCHA

Montaje del mango tubular .....	58
Montaje de la cubierta protectora .....	58-59
Montaje de la cuchilla, de la hoja de sierra de 8 dientes o de la lama de 4 dientes .....	59-60
Montaje de la cabeza de hilos cortantes .....	60
Montaje de la cuchilla de hilos .....	60
Montaje de la cubierta protectora de metal y de la hoja con dentado de cincel .....	61
El engranaje angular .....	61
Mezcla de combustible .....	62
Almacenamiento de combustible .....	62
Carga .....	62
Bandolera portadora .....	63
Equilibrado de la desbrozadora .....	63
Arrancar el motor .....	64
Ajuste del carburador .....	65

## MANTENIMIENTO Y CUIDADO

Reafilarse las herramientas de corte .....	66
Cabeza cortadora de hilos .....	67
Recambiar el cable de arranque .....	67-68
Limpiar el filtro de aire .....	68
Recambio/limpieza de la rejilla parachispas .....	69
Control de bujías / recambio .....	69
Controlar los tornillos del silenciador .....	69
Cabezal de aspiración en el depósito .....	70
Protección del silenciador (por Estados Unidos) .....	70
Recomendación para el engranaje angular .....	70
Puesta fuera de funcionamiento y almacenamiento .....	70

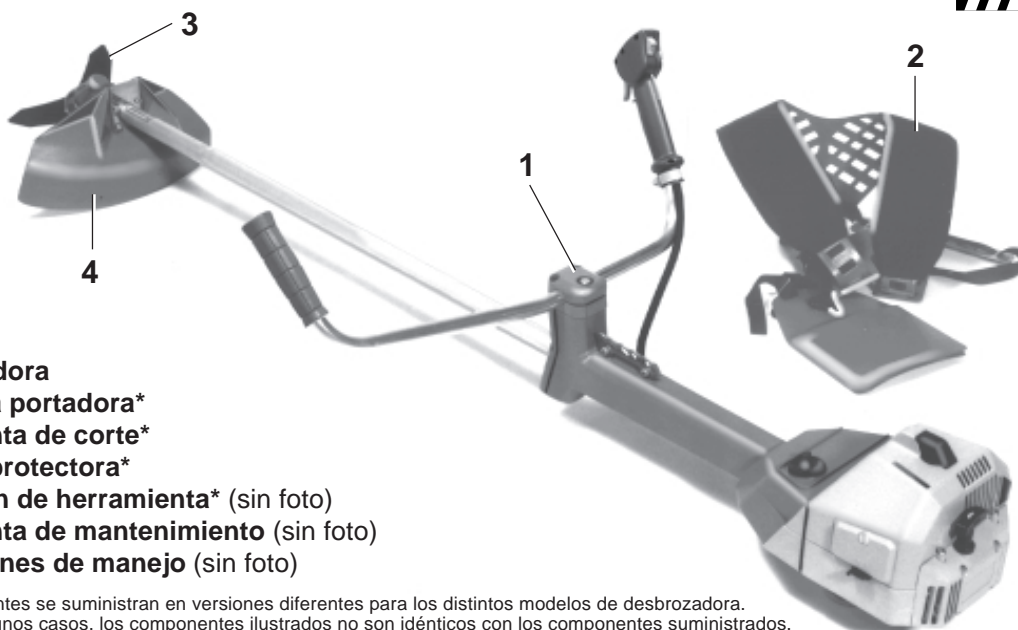
<b>Servicio de taller, repuestos y garantía</b> .....	71-72
---	-------

<b>Localización de desperfectos</b> .....	72
---	----

<b>Extracto de la lista de repuestos</b> .....	73
--	----

<b>Notas</b> .....	73
--------------------	----

<b>Estaciones de servicio (ver anexo)</b>	
---	--



- 1. Desbrozadora
- 2. Bandolera portadora\*
- 3. Herramienta de corte\*
- 4. Cubierta protectora\*
- 5. Protección de herramienta\* (sin foto)
- 6. Herramienta de mantenimiento (sin foto)
- 7. Instrucciones de manejo (sin foto)

\* Estos componentes se suministran en versiones diferentes para los distintos modelos de desbrozadora. Por eso, en algunos casos, los componentes ilustrados no son idénticos con los componentes suministrados.

Si uno de los componentes indicados en la lista no estuviera incluido en el volumen de suministro, póngase en contacto con su vendedor!

### Explicación de símbolos

En el equipo y durante la lectura de las instrucciones de manejo, Ud. se encontrará con los siguientes símbolos:

	¡Leer las instrucciones de manejo y observar las advertencias e instrucciones de seguridad!		Ajuste del carburador
	¡Poner especial cuidado y atención!		Choke
	¡Prohibido!		Arrancar el motor
	¡Llevar guantes protectores!		¡Parar el motor!
	¡Calzar zapatos de seguridad!		¡Prohibido fumar!
	¡Usar sin falta casco y protección del rostro, de los ojos y del oído! (la protección visual debe cumplir con la norma ANSI Z87-1)		¡Prohibido el fuego!
	¡Observar la distancia de seguridad de 15 metros!		Mezcla de combustible
	¡Peligro: poner atención en piezas lanzadas!		Primeros auxilios
	¡ATENCIÓN: Kickback! (repulsion)		Reciclaje
	Máximas revoluciones de la herramienta de corte		
	Dirección de giro de la herramienta de corte		

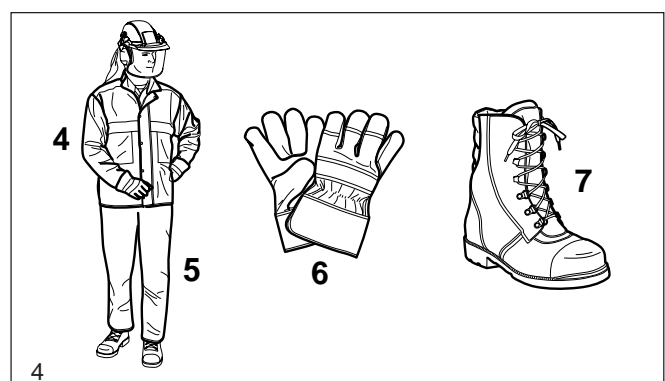
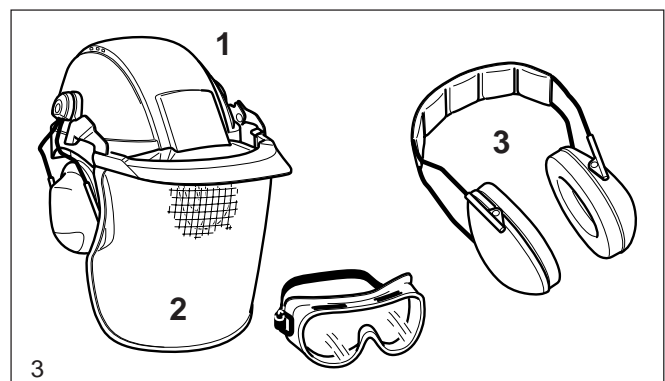
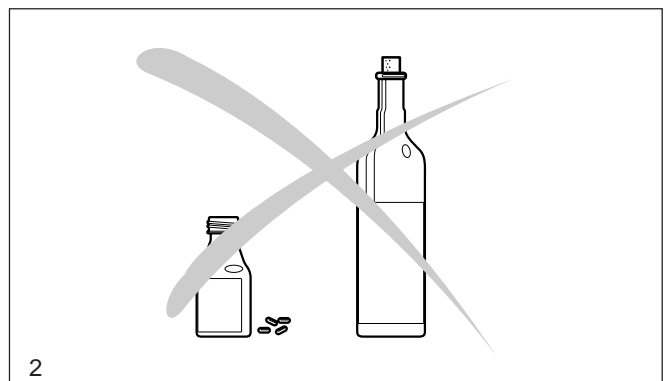
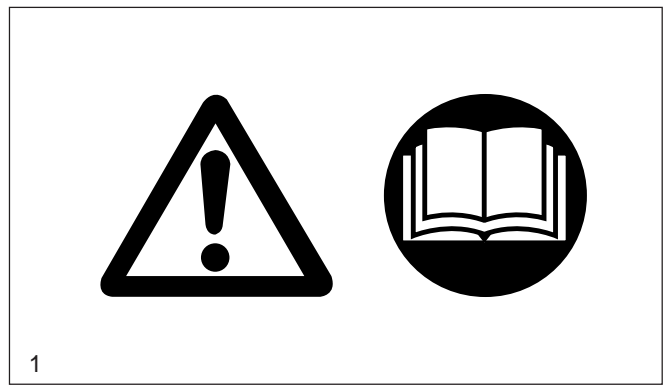
# INSTRUCCIONES DE SEGURIDAD

## Recomendaciones generales

- Para asegurar un manejo seguro y para familiarizarse con la desbrozadora, es absolutamente necesario que el operador lea las instrucciones de manejo con mucha atención. Los operadores no bien informados pueden arriesgar su propia seguridad y la de otras personas por un manejo inadecuado de la desbrozadora (1).
- Preste la desbrozadora únicamente a personas experimentadas en su manejo, adjuntando las instrucciones de manejo.
  - Las personas que utilicen por primera vez una desbrozadora deberían dejarse instruir por el vendedor o acudir a una escuela de montes. Para familiarizarse con las características del corte a motor, use primero la función de guadaña y más adelante la de sierra.
  - Los niños y menores de 18 años no deben utilizar la desbrozadora con herramientas de corte metálicas (cuchilla de 3 dientes, lama, etc.). Se exceptúan de esta prohibición los mayores de 16 años, siempre que bajo la vigilancia de un instructor actúen con fines de aprendizaje.
  - El trabajo con la desbrozadora requiere la atención completa.
  - Trabajar sólo en buen estado físico. Todos los trabajos deben realizarse con calma y prudencia. El operador es responsable de la seguridad de terceros.
  - Nunca use la desbrozadora después de haber consumido alcohol, drogas o medicamentos (2).

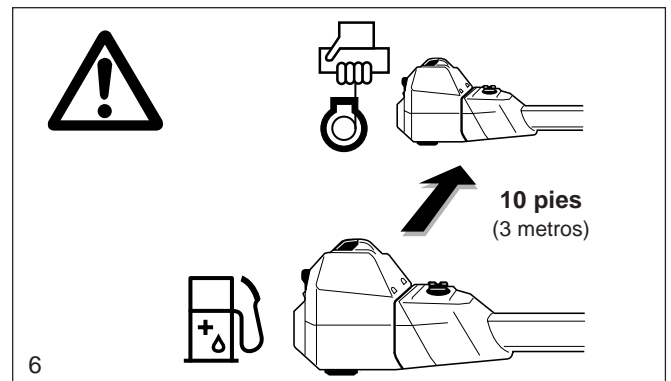
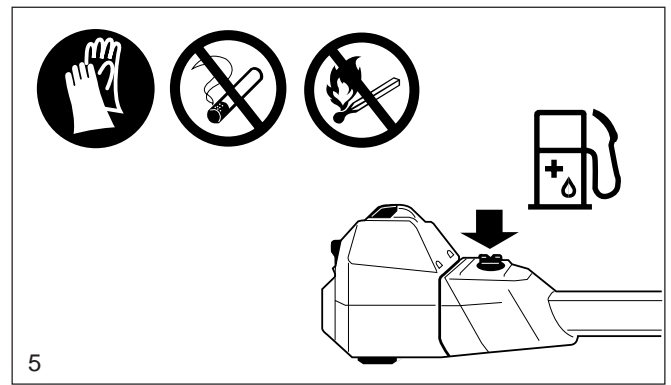
## Accesorios de protección personal

- La vestimenta debe ser adecuada; ajustada al cuerpo pero sin que estorbe. No llevar joyas ni prendas que puedan engancharse en arbustos o malezas.
- **A efectos de evitar heridas en la cabeza, los ojos y las manos, así como daños del oído durante el desbrozado, deben llevarse los equipos de protección personal descritos a continuación.**
- Es recomendable llevar un casco de protección; para realizar trabajos en el monte, es indispensable. Controlar periódicamente si el **casco de seguridad** (1) está dañado y reemplazarlo a más tardar después de 5 años. Usar sólo cascos de seguridad certificados. Recoger cabellos largos con una redcilla.
- La **protección de la cara** (2) del casco detiene piezas cortadas torbellinadas u objetos lanzados. A efectos de evitar lesiones en los ojos, deben llevarse, además de la protección de la cara, unas gafas de protección.
- Para evitar daños del oído, usar **elementos de protección acústica** (protección de los oídos (3), cápsulas de protección, algodón encerado, etc.) Análisis de banda de octava, a pedido.
- La **chaqueta protectora de monte** (4) tiene hombreras en colores de señalización. Los brazos y el cuello deben protegerse siempre con ropa adecuada.
- El **pantalón protector con peto** (5) tiene 22 capas de nylon y protege contra cortaduras. Es sumamente recomendable llevarlo. De todas maneras, debe llevarse un pantalón largo de tejido resistente. No use pantalones cortos.
- **Los guantes de trabajo** (6) de cuero resistente forman parte del equipo reglamentario y deben llevarse permanentemente durante el trabajo con la desbrozadora.
- Para trabajar con la desbrozadora deben llevarse **zapatos de seguridad** o bien **botas de seguridad** (7) con suela antideslizante, puntera de acero y protección de la pierna. Los zapatos de seguridad con revestimiento especial protegen contra las cortaduras y garantizan la posición firme. No use sandalias ni ande descalzo.



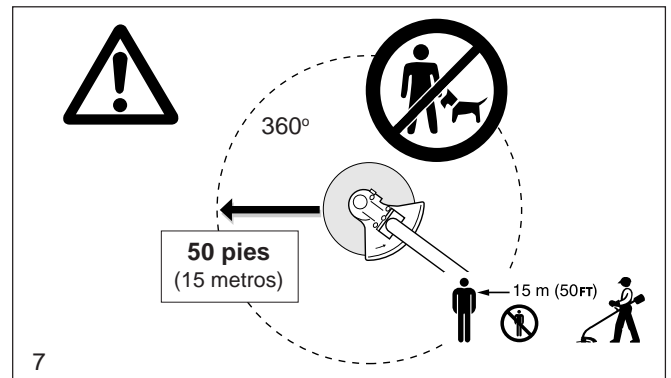
## Combustibles / Cargar combustible

- Parar el motor de la desbrozadora para cargar combustible.
- Es prohibido fumar o trabajar cerca de fuegos abiertos (5).
- Dejar enfriar el motor antes de cargar combustible.
- Combustibles pueden contener sustancias a modo de disolventes. Evitar el contacto de la piel y los ojos con el combustible. Llevar guantes al cargar combustible. Cambiar y limpiar su ropa de seguridad con frecuencia. No aspirar vapores de combustible. La inhalación de gases de escape puede perjudicar la salud.
- Antes de llenar el depósito, coloque la desbrozadora en una posición **firme**.
- No derramar combustible o aceite. Limpiar la desbrozadora inmediatamente si se ha derramado combustible o aceite. Evitar el contacto de su ropa con combustible. Cambiarse inmediatamente si su ropa ha tenido contacto con combustible.
- Prestar atención a que combustible no se fuguen por la tierra (protección del ambiente). Usar una base apropiada.
- No cargar combustible en lugares cerrados. El vapor de combustible se acumulará cerca del suelo (peligro de explosión).
- Cerrar firmemente el depósito de combustible con el tapone.
- Cambiar el lugar antes de arrancar el motor (al menos 10 pies del lugar donde se ha cargado combustible) (6).
- Combustibles son de conservabilidad limitada. No comprar más del que se pueda consumir pronto.
- Transportar y almacenar combustible y aceite sólo en bidones admitidos y marcados. Prestar atención a que combustibles y aceites no sean accesibles para niños.

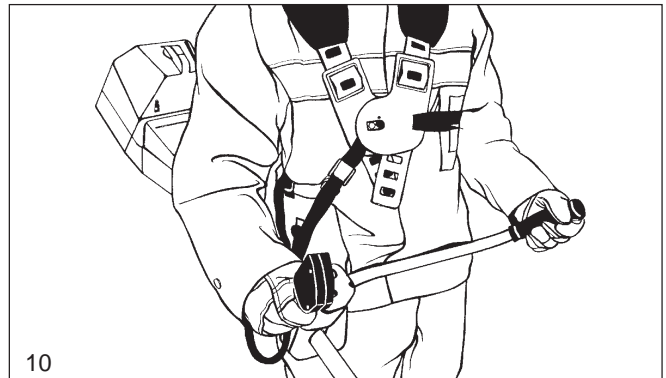
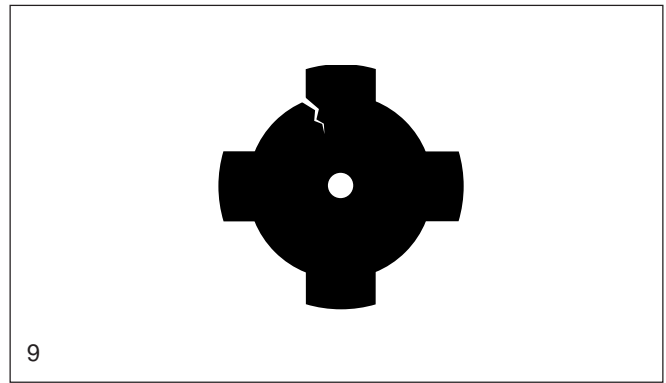


## Puesta en funcionamiento

- **No trabajar solo; para casos de emergencia, debe haber una persona cerca** (al alcance de la voz).
- Asegurarse de que no hayan niños u otras personas dentro del radio de trabajo de 50 pies (15 metros). Poner atención en los animales (7).
- **Antes iniciar la tarea, controlar el funcionamiento seguro de la desbrozadora:** el montaje firme de la herramienta de corte; al soltar el acelerador, éste tiene que volver automáticamente a la posición cero; el funcionamiento del bloqueo del acelerador; la herramienta de corte no debe girar durante la marcha en vacío; los asideros deben estar limpios y secos; funcionamiento del interruptor de arranque/parada (Start/Stop), los dispositivos de protección no deben estar dañados y deben estar montados fijamente en su posición correcta. **De lo contrario existe peligro de lesiones.**
- Arrancar la desbrozadora sólo conforme a las instrucciones de manejo. **¡Otras técnicas de arranque no son admisibles (8)!**
- La desbrozadora y las herramientas sólo deben usarse para los trabajos indicados en estas instrucciones.
- Nunca use, por ejemplo, alambres o cables de metal que se puedan romper y convertir en peligrosos proyectiles. Use solamente el hilo flexible, no metálico, recomendado en este manual.
- **La desbrozadora recién debe ponerse en marcha una vez completado el montaje y el control del equipo. Por principio, este equipo sólo debe usarse completamente montado.**
- **Las herramientas de corte deben estar provistas del dispositivo protector correspondiente. No usar nunca el equipo sin dispositivo protector.**
- La herramienta de corte no debe girar simultáneamente con la marcha en vacío; dado el caso, ajustar la marcha en vacío.



- Antes de arrancar la desbrozadora, asegurarse de que la herramienta de corte no tenga contacto con ningún objeto duro, como por ejemplo ramas, piedras, etc.
- Si se percibieran alteraciones en el comportamiento del equipo, desconectar inmediatamente el motor.
- Si la herramienta de corte chocara contra piedras u otros objetos duros, parar inmediatamente el motor y controlar el estado de la herramienta.
- Controlar periódicamente la herramienta de corte por daños (eventuales grietas invisibles se verifican por prueba de sonido). Las fisuras capilares pueden aparecer en los ángulos de la herramienta de corte (9) después de un uso prolongado. **¡Las herramientas de corte dañadas y las herramientas de corte con fisuras capilares o grietas invisibles no deben volver a utilizarse bajo ningún concepto!**
- Los trabajos con la desbrozadora debe realizarse siempre usando la bandolera portadora (10). Adaptarla previamente a la talla del operario, para prevenir síntomas de cansancio. No manejar nunca la desbrozadora con una mano sola.
- Al trabajar con la desbrozadora, sostenerla siempre con ambas manos (10). Mantenga el dispositivo cortador por debajo del nivel de la cintura. **Poner siempre atención en una posición firme.**
- Trabajar con la desbrozadora de manera que no pueda aspirarse el gas de escape. La desbrozadora no debe arrancarse ni usarse en recintos cerrados (peligro de intoxicación). El monóxido de carbono es un gas inodoro, y sus gases de escape pueden resultar letales. Trabajar solamente en sitios bien aireados.
- Cuando haga una pausa o deje la desbrozadora desatendida, apague la máquina (11), asegúrese de que el dispositivo cortador se ha detenido y deposite la desbrozadora de modo tal que quede excluido todo riesgo de lesiones para usted y otras personas.
- No colocar la desbrozadora calentada en hierba seca o sobre objetos inflamables.
- Parar el motor antes de transportar la desbrozadora y de cambiar el sitio de trabajo (11).
- No trabajar con un silenciador defectuoso. Si la rejilla parachispas estuviese dañada, reemplácela inmediatamente. El uso de una desbrozadora con parachispas dañado puede ocasionar incendios forestales.



### Repulsiones (kickback)

Al trabajar con la desbrozadora pueden producirse repulsiones incontroladas.

Este peligro aumenta cuando se trabaja en el sector entre „12 y 2“ (12).

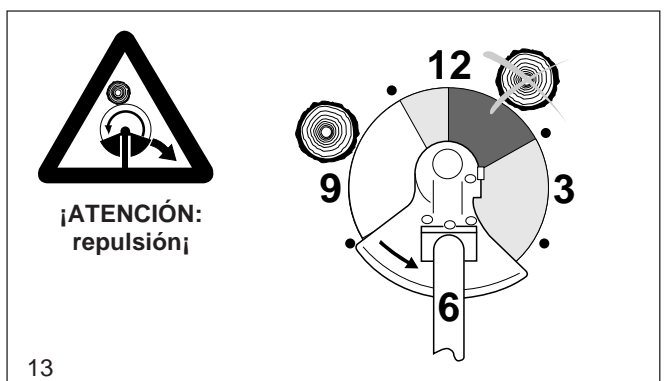
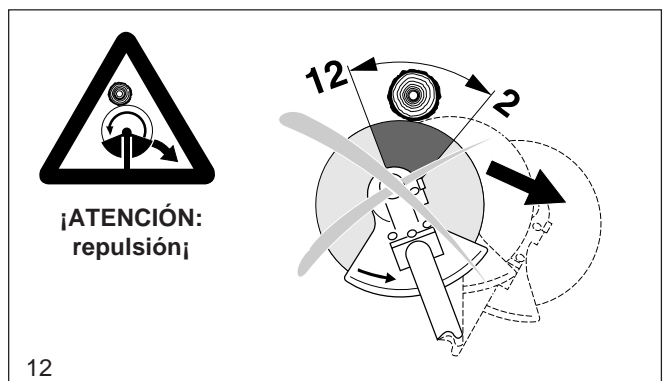
**En este sector, la herramienta jamás se debe aplicar al corte de materiales sólidos como maleza, broza, arbustos, etc.**

En tal caso, la desbrozadora será lanzada y/o acelerada de un lado al otro en forma incontrolada y con mucha energía (**¡riesgo de lesiones!**).

**¡Nunca inicie el corte con la herramienta entre „12 y 2“ (ilustración 12)!**

**Evitar repulsiones (13):**

- **Para evitar repulsiones, debe observarse lo siguiente:**
- Preste siempre atención al proceso de corte. Proseguir cuidadosamente los cortes ya iniciados.
- Antes de iniciar el corte, la herramienta de corte ya debe haber alcanzado el completo número de revoluciones de trabajo.
- En el sector entre „12 y 2“ el peligro de repulsiones es el mayor, y más que nada al usar herramientas de corte metálicas!
- En el sector „11 y 12“ o „2 y 5“ solamente deberán realizar las tareas los operadores instruidos, y a su propio riesgo.
- En el sector „8 y 11“ los cortes pueden realizarse fácilmente y con pocas repulsiones.



## Comportamiento y técnica de trabajo

- Trabajar sólo si las condiciones de visibilidad y de luz son buenas. En invierno, prestar atención a superficies heladas, humedad y nieve (peligro de deslizarse). Adoptar una posición estable.
- Nunca trabajar encima de la altura de los hombros.
- Nunca trabajar subido a una escalera.
- Nunca treparse en árboles para trabajar con la desbrozadora.
- Nunca trabajar sobre superficies inestables.
- Limpiar el sector del corte de cuerpos extraños, como por ejemplo piedras o piezas metálicas. Los cuerpos extraños podrían rebotar (peligro de lesiones, 14) o dañar la herramienta de corte, y podría producirse una peligrosa repulsión (kickback).
- La herramienta de corte tiene que haber alcanzado el número de revoluciones de trabajo antes de realizar el corte.

## Herramientas de corte

Utilice las herramientas de corte (15) solamente para los trabajos indicados. Otras aplicaciones no están permitidas.

### Cabeza de 2/4 hilos cortantes:

Exclusivamente para realizar cortes cerca de muros, cercados, bordes de césped, árboles, postes, etc. (complemento de la cortadora de césped).

### Hoja de sierra de 8 dientes, lama de 4 dientes, cuchilla de 3 dientes

Para cortar materiales robustos, como por ejemplo malas hierbas, hierbas altas, zarzas, arbustos, malezas, etc., con un diámetro del material a cortar de max. 2 cm. Para estos trabajos se describe con la desbrozadora un semicírculo, de la derecha a la izquierda, (como con una guadaña) (16).

### Hoja con dentado de cincel:

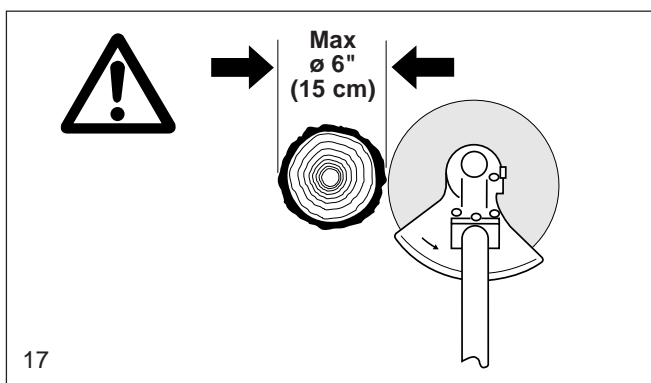
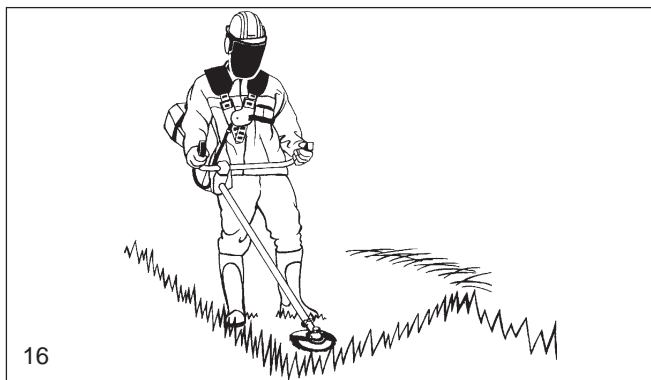
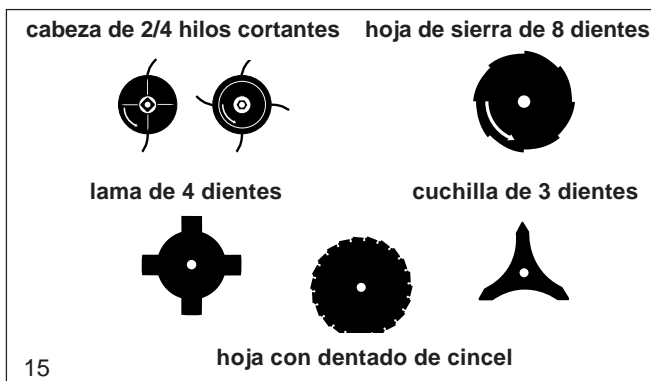
Para limpieza en bosques y eliminación de ramas débiles, con un diámetro máximo de 15 cm (17). Realizar los cortes con una presión constante.

## Transporte

- **Para el transporte o cambio de sitio durante el trabajo deberá desconectarse la desbrozadora, para evitar un arranque imprevisto de la herramienta de corte.**
- **¡La desbrozadora no debe transportarse o portarse, bajo ningún concepto, con la herramienta de corte en funcionamiento!**
- Para un transporte de mayor distancia deberá colocarse sin falta la protección de herramienta incluida en el volumen suministrado.
- Para el transporte en automóvil deberá observarse la posición segura de la desbrozadora. Para el transporte deberá vaciarse completamente el depósito de combustible.
- Antes de la expedición de la desbrozadora deberá vaciarse completamente el depósito de combustible.

## Almacenamiento

- Almacenar la desbrozadora en un recinto seco y colocar la protección de herramienta para herramientas de corte metálicas. Almacenar la desbrozadora fuera del alcance de los niños.
- En caso de almacenamiento prolongado, encomendar el mantenimiento completo y una examinación exhaustiva de la desbrozadora a un taller especializado MAKITA.
- En caso de almacenamiento prolongado de la desbrozadora el depósito de combustible debe vaciarse completamente y el carburador debe vaciarse mediante marcha en vacío. Los combustibles sólo pueden almacenarse un tiempo limitado y podrían crear sedimentos en el tanque o en el carburador.
- Los restos de combustible en el bidón de reserva deben usarse para otros motores o eliminarse.



## Mantenimiento

- Cada vez, antes de iniciar el trabajo debe controlarse el estado de funcionamiento seguro del equipo, especialmente de la herramienta de corte, del dispositivo protector y de la bandolera portadora así como la hermeticidad del sistema de combustible. Poner especial atención en que la herramienta esté afilada correctamente.

**PRECAUCION: Las herramientas de corte metálicas solamente deberán ser reafiladas por un taller especializado.**

**Las herramientas reafiladas inadecuadamente pueden provocar el desequilibrio del equipo, con el consiguiente peligro de lesiones. Además, las posibles vibraciones pueden dañar el equipo.**

- Antes de recambiar las herramientas de corte, o de limpiar el equipo y la herramienta de corte, etc., **debe desconectarse el motor y extraerse el capuchón de la bujía.**
- No enderezar o soldar herramientas dañadas.
- Trabajar siempre con un mínimo de ruido y de emisión de contaminantes. Prestar atención a un ajuste correcto del carburador.
- Limpiar la desbrozadora con regularidad y controlar si los tornillos y las tuercas están firmes.
- ¡No depositar ni manipular la desbrozadora cerca de fuego abierto (18)!
- En recintos cerrados, la desbrozadora solamente deberá almacenarse con el depósito de combustible vacío. Almacenar la desbrozadora fuera del alcance de los niños.

**Observar los reglamentos de prevención de accidentes de las asociaciones profesionales competentes y de las entidades aseguradoras. No realizar bajo ningún aspecto modificaciones constructivas en la desbrozadora. Ud. arriesgará su propia seguridad.**

Efectuar sólo los trabajos de mantenimiento y reparación descritos en estas instrucciones de manejo. Todos los demás trabajos tendrá que efectuarlos el servicio técnico de MAKITA (19).

**Utilizar sólo piezas de repuesto y accesorios originales de MAKITA.**

Al utilizarse repuestos, accesorios o herramientas que no sean originales de MAKITA aumentará el riesgo de sufrir accidentes. Si ocurrieran accidentes o daños con herramientas de corte, sujeciones de herramientas de corte o accesorios no autorizados, caducará toda garantía.

## Primeros auxilios

Para casos de accidentes siempre debería encontrarse un botiquín en el lugar de trabajo.

Reponer inmediatamente todo material extraído del botiquín.

**En caso de pedir auxilio, dar las informaciones siguientes:**

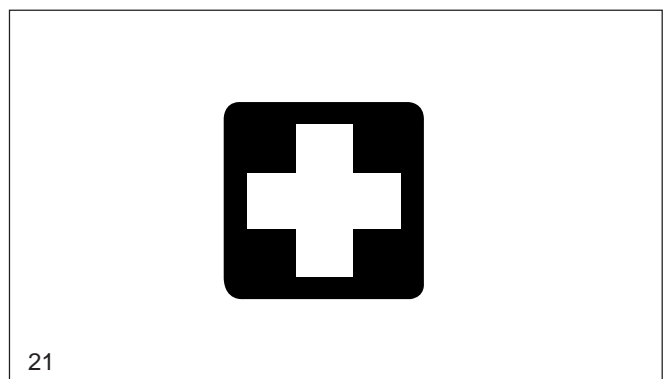
- dónde fue accidente
- qué sucedió
- cuantos heridos
- qué tipo de lesiones
- quién informa

## Advertencia

Si las personas que sufren de afecciones cardiovasculares se exponen con demasiada frecuencia a las vibraciones se puede producir un daño en los vasos sanguíneos o en el sistema nervioso.

Las vibraciones pueden producir los siguientes síntomas en los dedos, las manos o las muñecas: entumecimiento de las partes del cuerpo, cosquilleo, dolor, dolor punzante, cambio de color de la piel o de la piel.

**Si se comprobaren estos síntomas, acudir a un médico.**





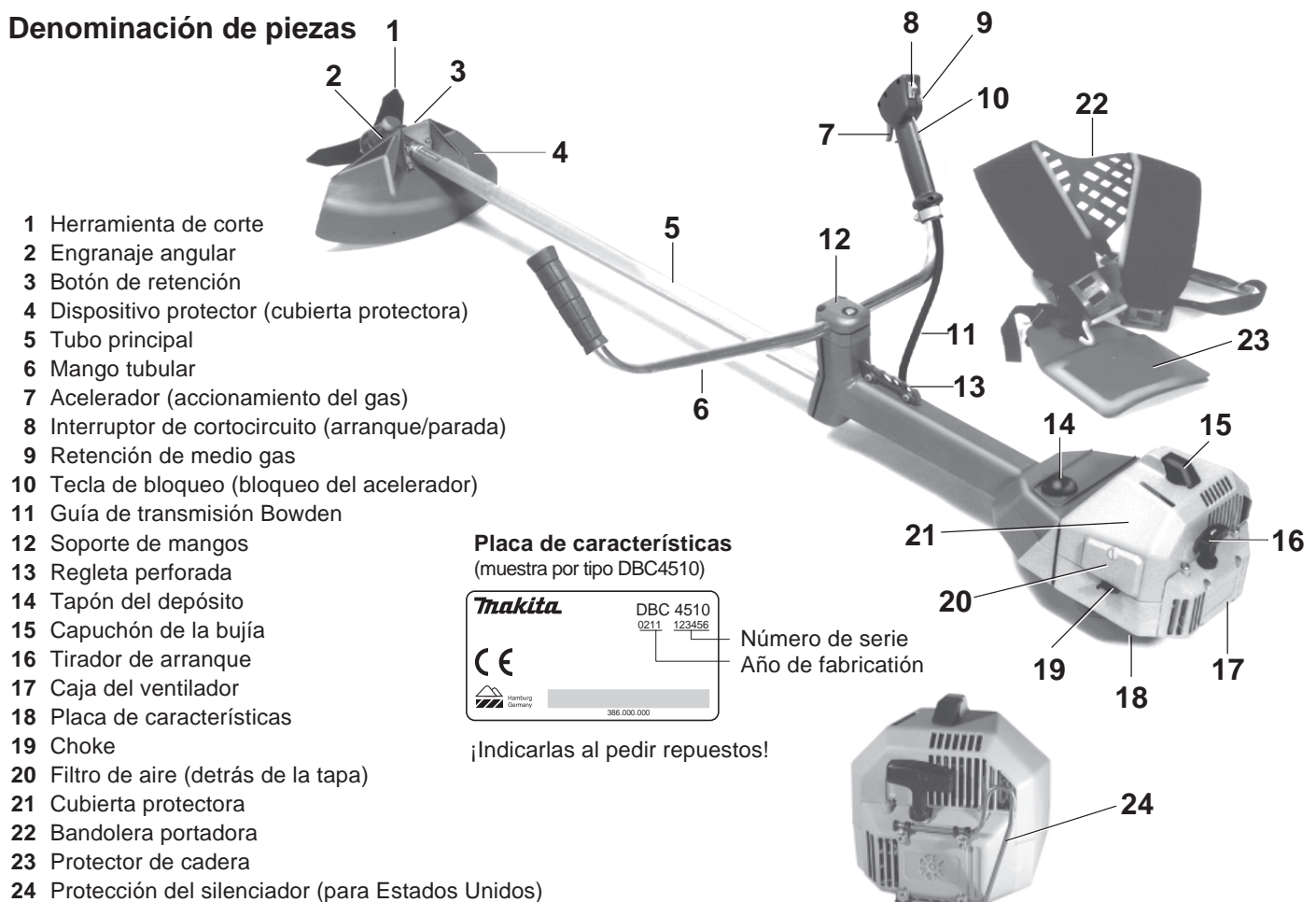
## Datos técnicos

		DBC3310	DBC4010	DBC4510
Cilindrada	cu. in	2.0 (33 cm <sup>3</sup> )	2.4 (39 cm <sup>3</sup> )	2.7 (45 cm <sup>3</sup> )
Diámetro de cilindro	inch	1.46 (37 mm)	1.57 (40 mm)	1.69 (43 mm)
Carrera	inch	1.22 (31 mm)	1.22 (31 mm)	1.22 (31 mm)
Potencia nominal según ISO 8893	kW	1.6	1.8	2.3
Número de revoluciones nominal	rpm	9,000	9,000	9,000
Max. número de revoluciones del motor con herramienta de corte de una pieza <sup>1)</sup>	rpm	13,500	13,500	13,500
Máximo número de revol. del husillo portaherramientas herramienta de corte de una pieza <sup>1)</sup>	rpm	10,400	10,400	10,400
Número de revoluciones en vacío	rpm	2,500	2,500	2,500
Número de revoluciones de embrague	rpm	3,500	3,500	3,500
Nivel de presión sonora en el oído del operador <sup>3)</sup>	dB (A)	98 <sup>a)</sup> / 101 <sup>b)</sup>	98 <sup>a)</sup> / 102 <sup>b)</sup>	99 <sup>a)</sup> / 102 <sup>b)</sup>
Nivel de presión sonora en la posición de la persona acompañante (50 ft) <sup>3)</sup>	dB (A)	75 <sup>a)</sup> / 77 <sup>b)</sup>	76 <sup>a)</sup> / 78 <sup>b)</sup>	76 <sup>a)</sup> / 78 <sup>b)</sup>
Carburador (de membrana)	Tipo	WALBRO WT-225 A	WALBRO WT-225 A	WALBRO WT-225 A
Instalación del encendido	Tipo	Encendido transistorado	Encendido transistorado	Encendido transistorado
Bujía	Tipo	CHAMPION RCJ6Y	CHAMPION RCJ6Y	CHAMPION RCJ6Y
Distancia entre electrodos	inch	.020-.030 (0.5-0.8 mm)	.020-.030 (0.5-0.8 mm)	.020-.030 (0.5-0.8 mm)
Consumo de combustible según ISO 8893 <sup>2)</sup>	kg/h	0.72	0.81	1.03
Consumo espec. según ISO 8893 <sup>2)</sup>	g/kWh	450	450	450
Capacidad del depósito	oz.	31.7 (0.9 l)	31.7 (0.9 l)	31.7 (0.9 l)
Relación de mezcla (combustible/aceite de 2 tiempos)				
- al emplear aceite de MAKITA		50 : 1	50 : 1	50 : 1
- al emplear aceite de MAKITA HP 100		100 : 1	100 : 1	100 : 1
- al emplear otros aceites		40 : 1	40 : 1	40 : 1
Transmisión de engranajes		1 : 1.3	1 : 1.3	1 : 1.3
Dimensiones, montada				
largo / ancho / altura	inch	71.1 / 26.8 / 8.9	71.1 / 26.8 / 8.9	71.1 / 26.8 / 8.9
Peso con cubierta protectora de plástico (sin herramienta de corte)	lbs	17.42 (7.9 kg)	17.42 (7.9 kg)	17.42 (7.9 kg)

<sup>1)</sup> Al usarse cabezas de hilos cortantes MAKITA no se sobrepasa el máximo número de revoluciones admitido para las cabezas cortantes.

<sup>2)</sup> Con máxima potencia. <sup>3)</sup> Según ANSI B.175.3. <sup>a)</sup> Con herramienta de corte de una pieza. <sup>b)</sup> Con cabeza de 2 hilos cortantes.

## Denominación de piezas



## PUESTA EN MARCHA

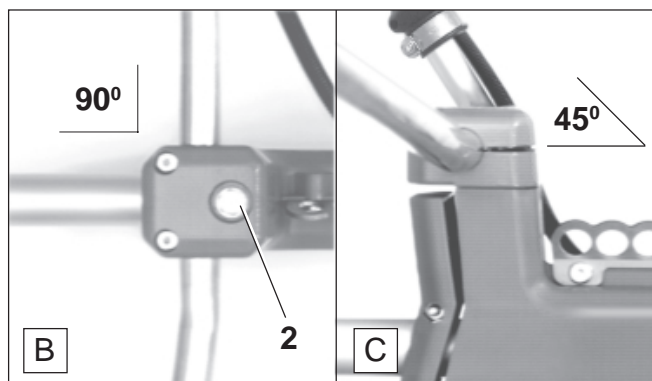
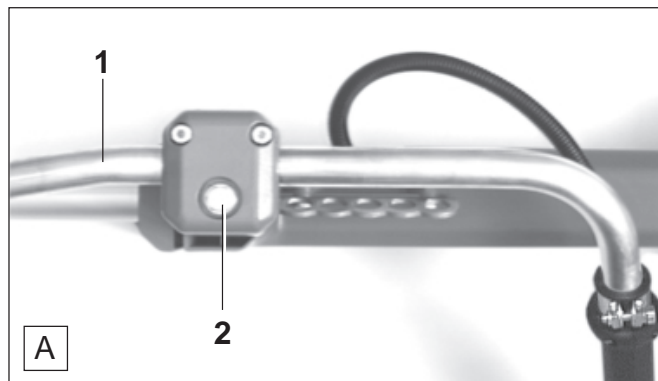


**PRECAUCION:** Antes de cualquier trabajo en la desbrozadora, desconectar sin falta el motor, extraer el capuchón de bujía y llevar guantes de seguridad.

**PRECAUCION:** ¡Solamente está permitido poner en marcha la desbrozadora una vez completados el montaje y el control de la misma!

### Montaje del mango tubular

A la entrega, el mango tubular (A/1) está montado paralelamente al tubo principal.



- Soltar el tornillo de fijación (A/2) con la llave universal en el sentido contrario a las agujas del reloj, hasta que se puede girar el mango tubular en 90°.

- Una vez que el mango tubular encaeste sensiblemente en esta posición (90°), apretar ligeramente el tornillo de fijación (B/2), ya que debe ajustarse el mango tubular a su talla (ver detalles en: „Equilibrar la desbrozadora“).


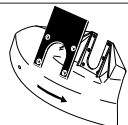

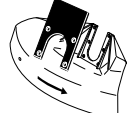


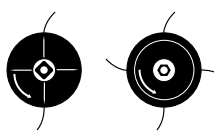
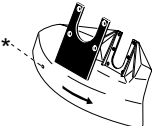
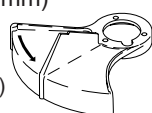
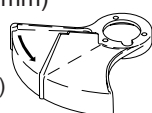
- Posicionar el mango tubular a 45° del tubo principal (C).

### Montaje de la cubierta protectora

**Atención:** Conforme a las disposiciones de seguridad vigentes sólo deben usarse las combinaciones de herramientas/cubiertas protectoras indicadas en el listado. Es absolutamente necesario montar la cubierta correspondiente al recambiar la herramienta de corte.

**Precaución:** ¡Use solamente las herramientas de corte indicadas aquí! El uso de otras herramientas de corte puede aumentar el peligro de lesiones y ocasionar daños en el equipo; por esta razón, no está permitido.

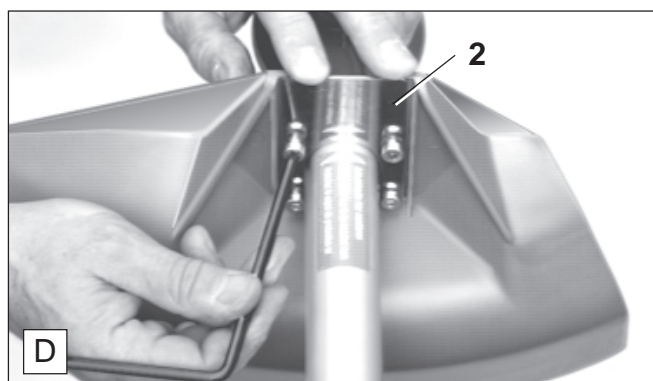
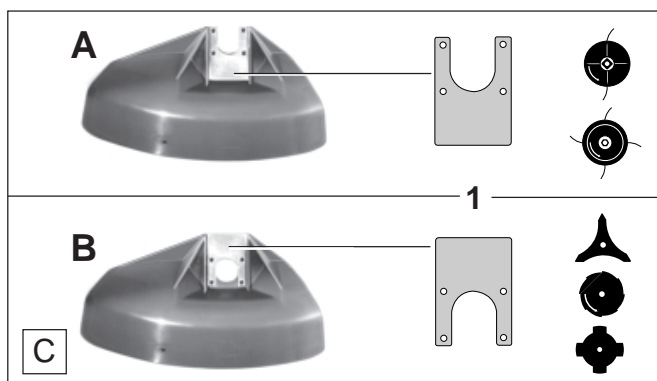
### Combinación de herramientas/cubiertas protectoras para DBC3310, DBC4010 y DBC4510

Herramienta de corte	Cubierta protectora
<b>Cuchilla de 3 dientes</b> Pieza N° 385 224 130 Diámetro exterior: 300 mm, perforación: 20,0 mm	 Pieza N° 010 341 612 
<b>Hoja de sierra de 8 dientes</b> Pieza N° 385 224 180 Diámetro exterior: 255 mm, perforación: 20,0 mm	 Pieza N° 010 341 612 
<b>Lama de 4 dientes</b> Pieza N° 385 224 140 Diámetro exterior: 255 mm, perforación: 20,0 mm	 Pieza N° 010 341 612 
<b>Cabeza de 2 hilos cortantes</b> Pieza N° 385 224 502 <b>Cabeza de 4 hilos cortantes</b> Pieza N° 385 224 540 Sector de corte: $\varnothing$ 400 mm/Usar solamente hilos de repuesto de $\varnothing$ 2,4 mm 15 m Pieza N° 369 224 670 120 m Pieza N° 369 224 672	 Pieza N° 010 341 612 * ¡Montar el dispositivo cortante (cuchilla) Pieza N° 957 341 010! 
<b>Hoja con dentado de cincel</b> Pieza N° 385 224 160 Diámetro exterior: 225 mm, perforación: 20,0 mm	Pieza N° 010 341 640 (para 225 mm) Impresión: 385 341 045 
<b>Hoja con dentado de cincel</b> Pieza N° 385 224 170 Diámetro exterior: 200 mm, perforación: 20,0 mm	Pieza N° 010 341 030 (para 200 mm) Impresión: 385 341 630 

### Atención:

Para su propia seguridad y para cumplir con los reglamentos de prevención de accidentes, es indispensable montar en su posición correcta la cubierta protectora suministrada.

¡Es inadmisibles trabajar con la desbrozadora sin cubierta protectora!



La posición de montaje de la placa de fijación (C/1) depende de la herramienta empleada (cabeza de hilos o herramientas metálicas).

Las diferentes posiciones ocasionan una posición más alta o más baja de la cubierta protectora.

Para trabajos con la cabeza de hilos cortantes, seleccionar la posición de montaje (A).

Seleccionar la posición de montaje (B) para trabajar con las herramientas metálicas siguientes:

- Lama de 4 dientes
- Hoja de sierra de 8 dientes
- Cuchilla de 3 dientes

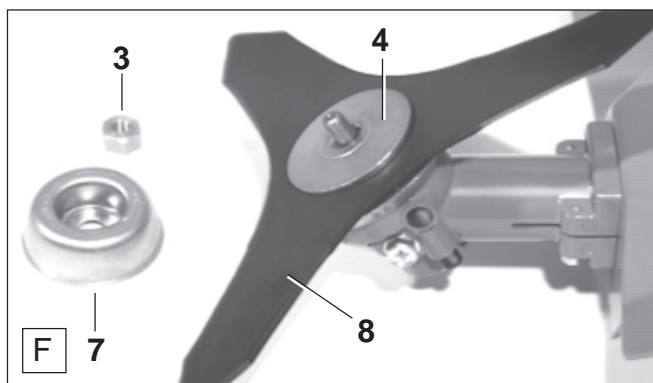
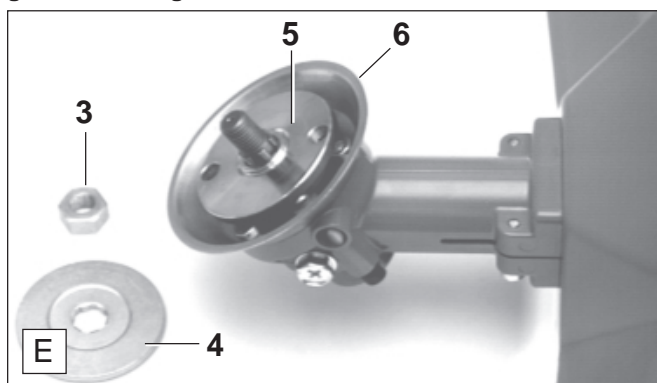
**Atención:** Para trabajar con la hoja de dientes de cincel debe montarse la cubierta protectora de metal (ver página 61).

- Para montar la cubierta protectora, colocarla sobre el asiento del engranaje angular, colocar la placa de fijación (D/2) según la aplicación de herramienta seleccionada (A o B) sobre la cubierta protectora y ajustar los tornillos de fijación con la llave.

### Montaje de la cuchilla, de la hoja de sierra de 8 dientes o de la lama de 4 dientes



Antes de montar herramientas de corte: ¡Apagar sin falta el motor, extraer el capuchón de bujía y colocarse los guantes de seguridad!



Para usar las herramientas arriba mencionadas debe montarse la cubierta protectora con la placa de fijación en la posición de montaje (B) (ver: "Montaje de la cubierta protectora")

- Soltar la tuerca de fijación (E/3) del árbol en el sentido de las agujas del reloj.

**Atención:** ¡La tuerca de fijación tiene una rosca a la izquierda!

- Quitar el disco de presión (E/4) y el disco de retención (E/5).
- Ajustar la tapa protectora (E/6) con los 3 tornillos.
- Volver a colocar el disco de retención (E/5). (Observar la posición de montaje).

- Colocar la herramienta (F/8) y luego el disco de presión (F/4) como indica la ilustración.



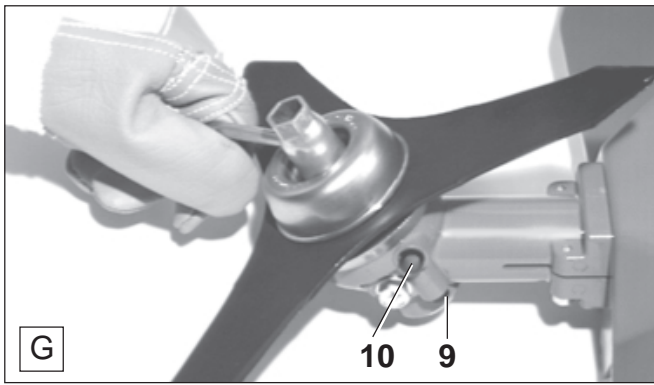
**Atención:** La ilustración muestra una cuchilla. Al colocar la hoja de sierra de 8 dientes debe observarse sin falta el sentido de giro (indicada por las flechas en herramienta y cubierta protectora).

- Colocar el anillo deslizante (F/7) y enroscar la tuerca de sujeción (F/3) a mano en el árbol.

El anillo deslizante se suministra con la desbrozadora!



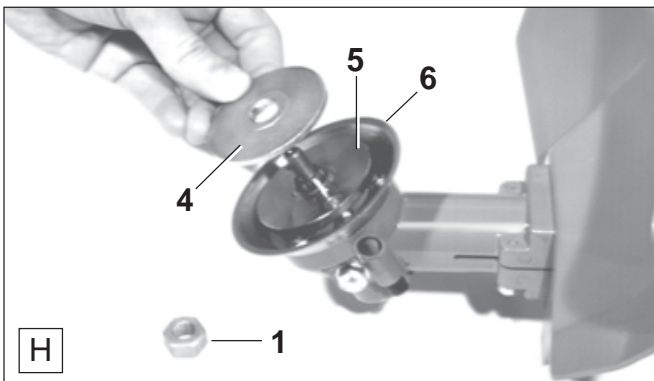
**Atención:** La tuerca de fijación (F/3) tiene un seguro de plástico. Por razones de seguridad, hay que recambiarla en caso de marcha fácil o a más tardar después de 10 empleos. (N° MAKITA 385 228 041)



- Oprimir el botón de retención (G/9) y mantenerlo presionado, girar el árbol con la llave universal en el sentido contrario de las agujas del reloj, hasta que encastre el botón de retención y bloquee el árbol.
  - Fijar la tuerca de fijación con la llave universal en el sentido contrario de las agujas del reloj.
  - Oprimir el botón de desencastre (G/10) para desbloquear el árbol. El botón de retención (G/9) va a saltar. (Eventualmente, girar levemente la herramienta).
  - Controlar la libertad de marcha de la herramienta de corte.
- Para desmontar las herramientas de corte debe usarse igualmente el dispositivo de retención.

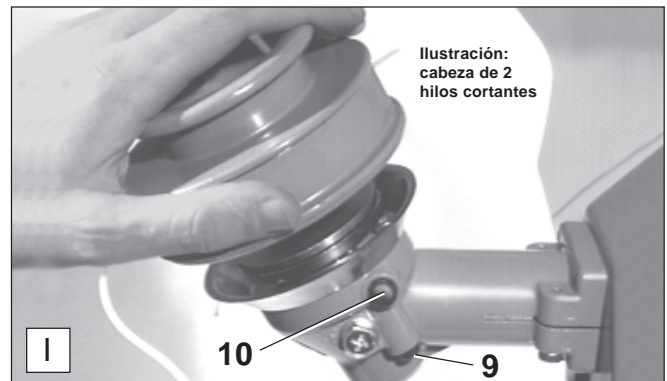
## Montaje de la cabeza de hilos cortantes

Antes de montar el hilo cortante, apagar sin falta el motor y extraer el capuchón de bujía.



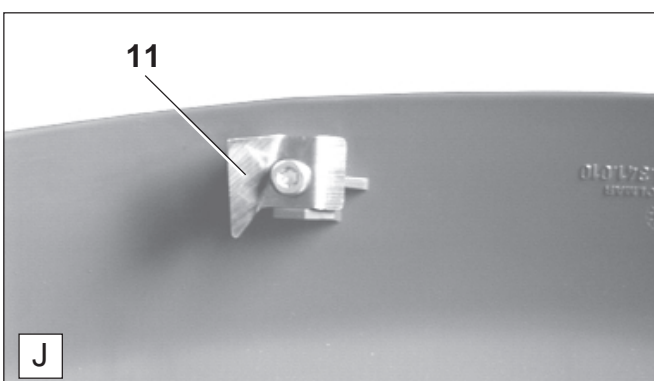
Al usar la cabeza de hilos cortantes, debe montarse la cubierta protectora con la placa de sujeción en la posición de montaje (A). (Véase: „Montaje de la cubierta protectora“). **Debe montarse sin falta la cuchilla de hilos** (véase: „Montaje de la cuchilla de hilos“).

- Soltar la tuerca de fijación (H/1) del árbol en el sentido de las agujas del reloj.
- Atención: ¡La tuerca de fijación tiene una rosca a la izquierda!**
- Quitar el disco de presión (H/4) según indica la ilustración.



- Eventualmente, montar la tapa protectora (H/6) (tres tornillos). Para ello, quitar previamente el disco de retención (H/5) (observar la posición de montaje).
- Enroscar la cabeza de hilos en el árbol, en el sentido contrario a las agujas del reloj.
- Presionar el botón de retención (I/9) y mantenerlo presionado, girar la cabeza de hilos en sentido contrario a las agujas del reloj hasta que encastre el botón de retención y bloquee el árbol.
- Ajustar a mano firmemente la cabeza de hilos cortantes.
- Oprimir el botón de desencastre (I/10) para devolver la libertad de marcha al árbol encastrado. El botón de retención (I/9) saltará (eventualmente, girar levemente la cabeza de hilos).
- Controlar la libertad de marcha de la cabeza de hilos.

## Montaje de la cuchilla de hilos



La cuchilla y el tornillo correspondiente vienen suministrados con la desbrozadora.

- Fijar la cuchilla de hilos (J/11) con el tornillo en la cubierta protectora.

### Observación:

Si se realizó un reajuste del largo del hilo (ver pág. 67), la cuchilla de hilos cortará los extremos de los hilos automáticamente a un mismo largo durante la marcha.

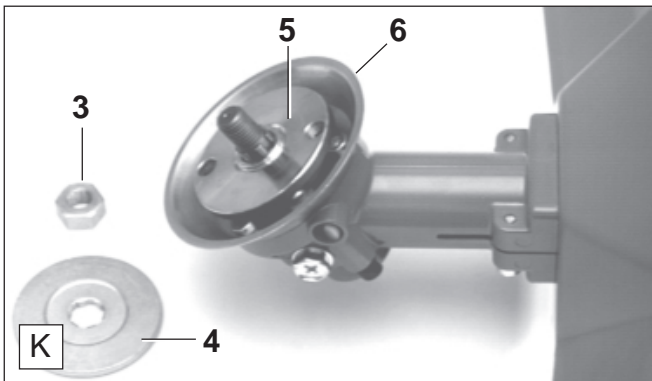
### Atención:

**El reajuste del largo del hilo solamente deberá efectuarse con el motor apagado.**

## Montaje de la cubierta protectora de metal y de la hoja con dentado de cincel



Antes de montar herramientas de corte: ¡Apagar sin falta el motor, extraer el capuchón de bujía y colocarse los guantes de seguridad!

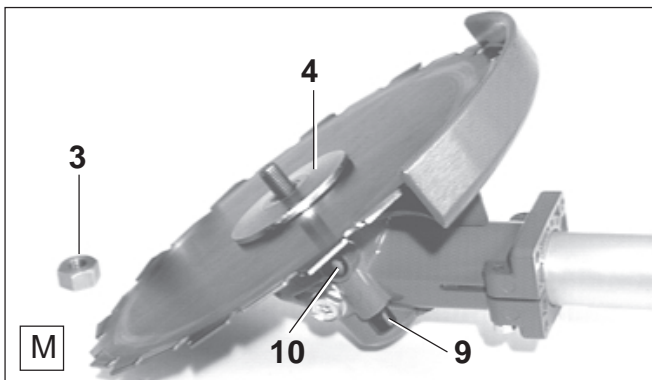


Al usar la herramienta arriba citada debe montarse la cubierta protectora de metal.

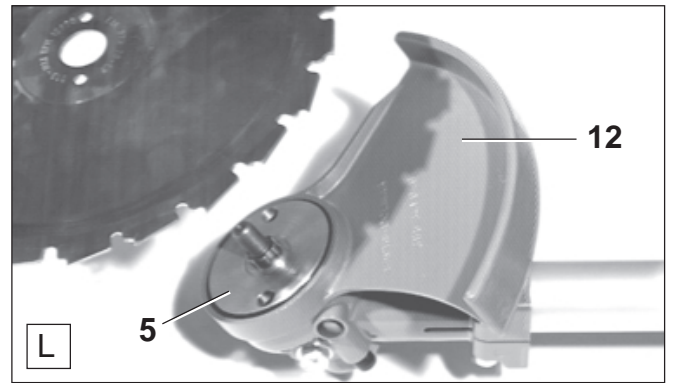
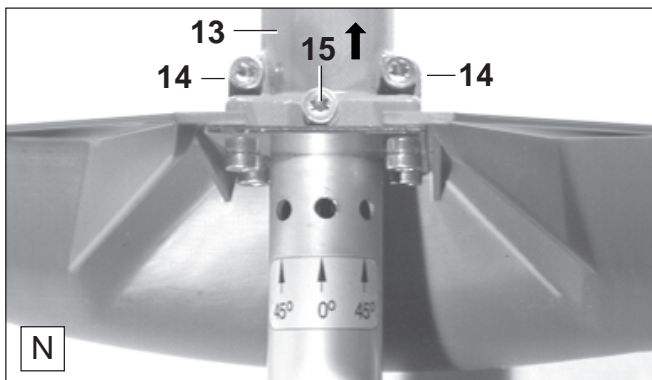
- Desenroscar del árbol la tuerca de sujeción (K/3), en el sentido contrario a las agujas del reloj.

**Observación:** La tuerca de sujeción tiene rosca izquierda.

- Quitar el disco de presión (K/4) y el disco de retención (K/5).



## El engranaje angular



- Desenroscar la tapa protectora (K/6), si estuviera montada (tres tornillos).
- Atornillar firmemente la cubierta protectora de acero (L/12).
- Colocar el disco de retención (L/5).
- Colocar la hoja dentada y luego el disco de presión (M/4) como indica la ilustración.



**Atención:** Al colocar la hoja dentada, observar sin falta la dirección de giro (la flecha sobre la cubierta protectora metálica y sobre la hoja dentada indican la misma dirección).



**Atención:** La tuerca de fijación (K/3) tiene un seguro de plástico. Por razones de seguridad, hay que recambiarla en caso de marcha fácil o a más tardar después de 10 empleos. (N° MAKITA 385 228 041)!

- Enroscar a mano la tuerca de fijación (M/3) en el árbol.
- Oprimir el botón de retención (M/9) y mantenerlo presionado, girar el árbol con la llave universal en el sentido contrario a las agujas del reloj, hasta que encastre el botón de retención y bloquee el árbol.
- Fijar la tuerca de fijación con la llave universal en el sentido contrario de las agujas del reloj.
- Oprimir el botón de desencastre (M/10) para desbloquear el árbol. El botón de retención (M/9) saltará. (Eventualmente, girar levemente la herramienta).
- Controlar la libertad de marcha de la hoja dentada.

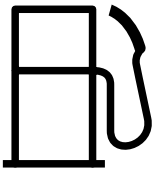
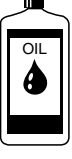
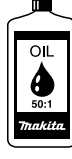

Para facilitar los trabajos, por ejemplo, cerca de escarpas o de zanjas, se puede girar el engranaje angular (N/13) desde su posición normal a cada costado por 45°.

### El ajuste:

- Soltar ambos tornillos (N/14).
- Casi desatornillar el tornillo (N/15) y empujar el engranaje angular en el sentido de la flecha hasta que se puedan ver 3 perforaciones en el tubo principal.
- Girar el engranaje angular en el sentido deseado hasta que la posición del tornillo (N/15) coincida con la perforación.
- Volver a empujar el engranaje angular a su posición de salida, primero volver a fijar, con igual firmeza, el tornillo (N/15) y luego los tornillos (N/14).

## Mezcla de combustible



Combustible	40:1 Otro aceite	50:1 Aceite MAKITA	100:1 Aceite MAKITA
			
1.0 Us-gal. (3.7 l)	3.2 fl oz. (94 cm <sup>3</sup> )	2.5 fl oz. (75 cm <sup>3</sup> )	1.3 fl oz. (38 cm <sup>3</sup> )
2.5 Us-gal. (9.4 l)	8.0 fl oz. (236 cm <sup>3</sup> )	6.4 fl oz. (189 cm <sup>3</sup> )	3.2 fl oz. (94 cm <sup>3</sup> )
5.0 Us-gal. (18.9 l)	16.0 fl oz. (473 cm <sup>3</sup> )	12.8 fl oz. (378 cm <sup>3</sup> )	6.4 fl oz. (189 cm <sup>3</sup> )

La desbrozadora tiene un motor de dos tiempos de alto rendimiento. Es necesario emplear una mezcla de combustible y aceite para motores de dos tiempos.

El motor está construido para gasolina normal sin plomo, con un número de octano mínimo de 91 ROZ. En el caso de que no se consiga gasolina normal se podrá emplear gasolina con un número de octano más alto. Estas gasolinas no causan daños al motor, pero pueden desmejorar el funcionamiento del equipo.

**Lo mismo vale para gasolina con plomo. ¡Use siempre gasolina sin plomo para lograr un funcionamiento óptimo del motor y para proteger su propia salud! La Gasolina que contiene alcohol no debe usarse con productos de MAKITA.**

Para lubricar el motor, emplear aceite para motores de dos tiempos (calidad API-TC), añadirlo al combustible. El motor está construido para aceite para motores de dos tiempos de alto rendimiento de MAKITA HP 100 con una relación de mezcla de 100:1, que es favorable al ambiente. Esta mezcla garantiza una duración larga y un funcionamiento seguro del motor con una emisión baja de humos.

El aceite para motores de dos tiempos de alto rendimiento MAKITA HP 100 se comercializa en la siguiente unidad:

0,5 l número de pedido 980 008 609

El aceite de dos tiempos de alto rendimiento MAKITA se suministra, según el consumo, en los siguientes envases:

1 l número de pedido 980 008 607

100 ml número de pedido 980 008 606

Si no estuviera disponible el aceite para motores de dos tiempos de MAKITA, debe observarse sin falta una relación de mezcla de 40:1, ya que de lo contrario no puede garantizarse el perfecto funcionamiento.

### La relación de mezcla correcta:

**50:1** Al emplear aceite para motores de dos tiempos de alto rendimiento de MAKITA, es decir mezclar 50 partes de combustible con 1 parte de aceite.

**100:1** Al emplear aceite para motores de dos tiempos de alto rendimiento de MAKITA HP 100 es decir mezclar 100 partes de combustible con 1 parte de aceite.

**40:1** Al emplear otros aceites para motores de dos tiempos de alto rendimiento, es decir mezclar 40 partes de combustible con 1 parte de aceite.

### Recomendación:

Para preparar la mezcla de combustible y aceite, mezclar primero todo el aceite con la mitad del combustible y añadir luego el combustible restante. Antes de incorporar la mezcla en el depósito, agitarla a fondo.

No es recomendable aumentar la parte de aceite en la mezcla de dos tiempos por una exagerada conciencia de seguridad, ya que esto aumentaría los residuos de combustión perjudiciales para el ambiente y que obturan el canal de salida de gases de escape en el cilindro, silenciador en el rejilla parachispas. Además, aumentaría el consumo de combustible y simultáneamente se reduciría la potencia.

## ¡EVITAR EL CONTACTO CON OJOS Y PIEL!

Los combustibles deben manejarse con cuidado y prudencia. Pueden contener sustancias semejantes a disolventes. Cargar combustible sólo en lugares bien aireados o al aire libre. No aspirar vapores de combustible. Los vapores de combustible son tóxicos y pueden perjudicar la salud. Evitar el contacto directo de la piel con combustibles o aceites. Productos de aceite mineral, y también aceites, desgrasan la piel. Por frecuentes contactos largos la piel se seca. Pueden resultar diversas enfermedades de la piel. Además, se conocen reacciones alérgicas. El contacto de aceite con los ojos causa afecciones. En este caso inmediatamente enjuagar los ojos con agua limpia.

**¡En caso de una afección continua, inmediatamente acuda a un médico!**

## Almacenamiento de combustible

Los carburantes son almacenables únicamente de forma restringida. Los carburantes y las mezclas de carburantes envejecen. Los carburantes almacenados durante un tiempo prolongado pueden causar problemas en el arranque. Comprar sólo la cantidad de carburante necesario para el consumo en un periodo de varios meses.

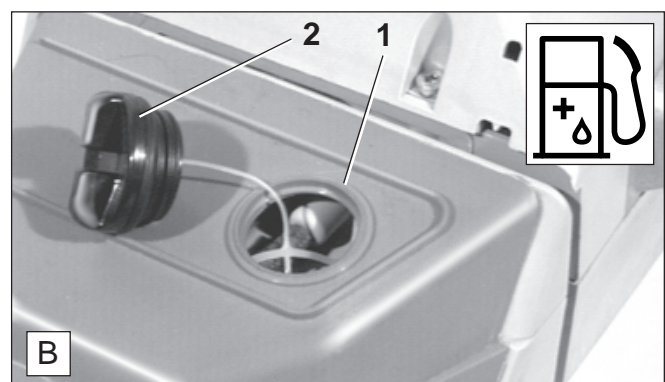
**¡Almacenar el carburante en recipientes homologados en sitio seco y seguro!**

## Carga



## ¡PRESTAR ATENCIÓN A LAS RECOMENDACIONES DE SEGURIDAD!

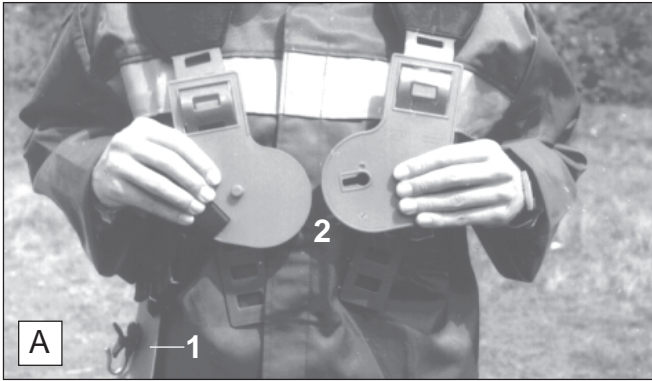
**Los combustibles deben manejarse con cuidado y prudencia. ¡Sólo si el motor está desconectado!**



- Limpiar cuidadosamente las inmediaciones del cierre del depósito (B/1) para que no penetre suciedad en el depósito de combustible.
- Antes de llenar el depósito, coloque la desbrozadora en una posición **firme**.
- Desenroscar la tapa del depósito (B/2) e incorporar cuidadosamente la mezcla de combustible hasta la marca inferior del tubo de carga, evitando los derrames de combustible.
- Atornillar firmemente el tapón.

**¡Limpiar el tapón y el alrededor del tapón después de rellenar los depósitos!**

## Bandolera portadora

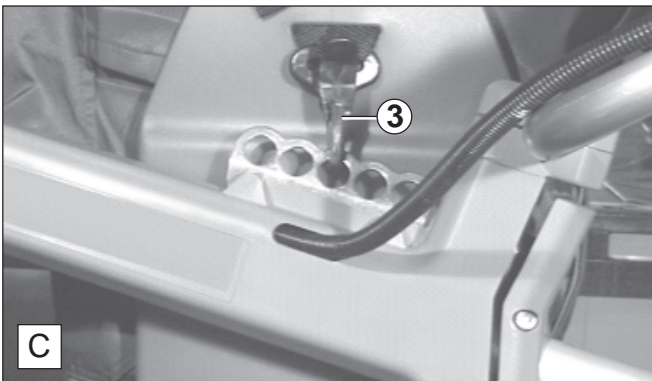


- Colocarse la bandolera portadora sobre los hombros de manera que el protector de cadera (A/1) quede colgado a la derecha.
- Ajustar la bandolera portadora de modo que el protector de pecho (A/2) esté posicionado sobre el pecho.

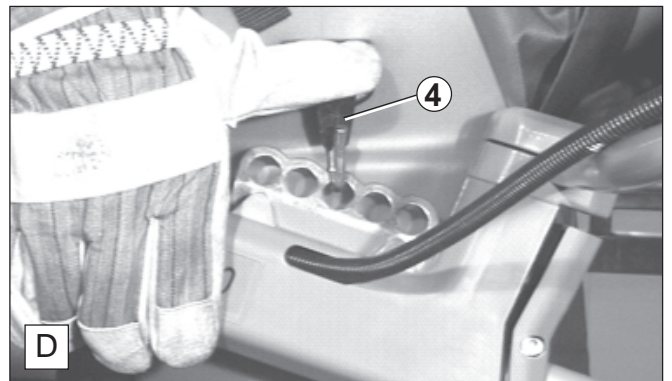


- Ajustar con la correa de pecho el protector de cadera, de modo que el gancho de fijación quede a un palmo, aproximadamente, por encima del hueso ilíaco.
- Para abrir la cinta portadora, separar los protectores de pecho. Así pueden quitarse rápidamente la cinta portadora y la desbrozadora.

## Equilibrado de la desbrozadora



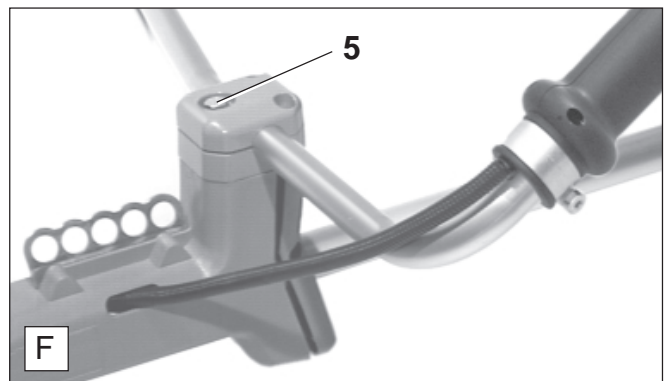
- Cargar el depósito de combustible.
- Colgar la desbrozadora en el gancho de fijación (C/3) del protector de cadera.
- Para equilibrar la desbrozadora, seleccionar uno de los 5 taladros en la regleta perforada.



- Para quitarse la desbrozadora, primero oprimir el bloqueo (D/4), luego desenganchar la desbrozadora.



- La altura sobre el suelo depende de la herramienta de corte utilizada.
- Para trabajos con la cabeza de hilos cortantes/cuchilla de 3 dientes sobre terreno llano, es recomendable que la cabeza de hilos cortantes o el anillo deslizante descansen ligeramente sobre el suelo, sin tocar la desbrozadora con las manos.
- Para trabajos con la lama o la hoja de sierra así como sobre terreno quebrado, la herramienta de corte debe estar a aproximadamente 12" (30 cm) encima del suelo, sin tocar la desbrozadora con las manos.



- Corregir la posición del mango según las condiciones de trabajo (F/5) y ajustar el tornillo de fijación.

## Puesta en marcha



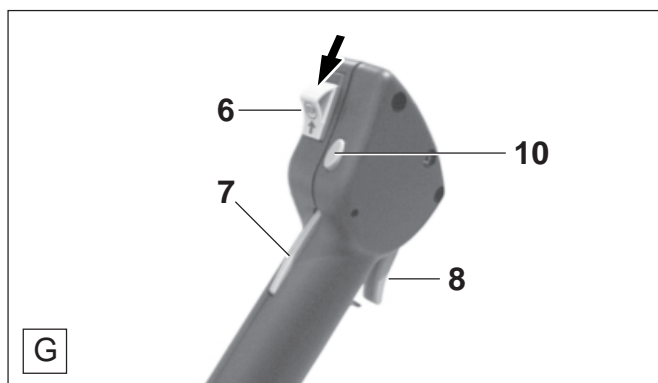
¡Observar las indicaciones sobre prevención de accidentes!

¡Solamente está permitido usar la desbrozadora después de haber completado su montaje y su control!

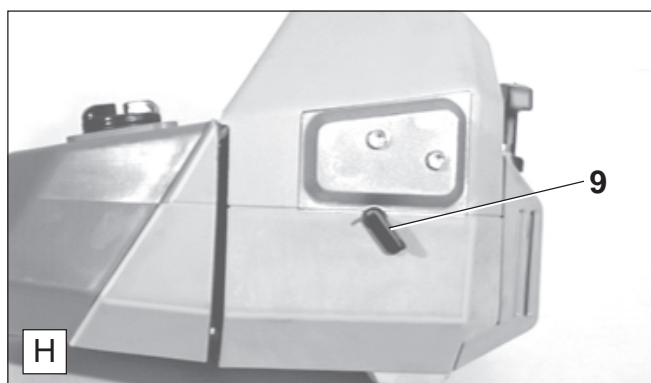
### Arrancar el motor

- Alejarse por lo menos 10 pies (3 m) del lugar de carga de combustible.
- Adoptar una posición firme y colocar la desbrozadora en el suelo de manera que la herramienta de corte no toque el suelo ni otros objetos.

### Arranque en frío



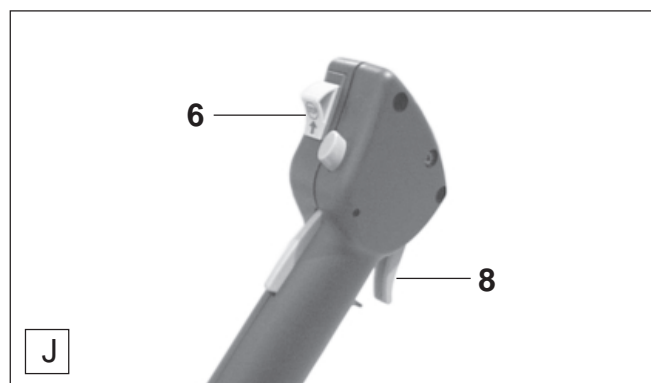
- Accionar el conmutador (G/6) en el sentido de la flecha.
- Encastrar la retención de medio gas; para ello, mantener presionado el botón de bloqueo de seguridad (G/7), presionar el acelerador (G/8) y luego el botón de retención (G/10). A continuación, soltar el acelerador (G/8) y luego el bloqueo de seguridad (G/7).



- Girar el choke (H/9) hacia abajo.



- Mantener sujeta la desbrozadora con una mano, como muestra la foto.
- Tirar lentamente del asidero de arranque, hasta percibir una resistencia, luego seguir tirando rápida y vigorosamente.
- No tirar totalmente hasta el final de la cuerda de arranque ni dejar rebotar el asidero de arranque, sino devolverlo lentamente.
- Repetir el proceso de arranque hasta que se produzcan los primeros encendidos audibles.
- Devolver el choke (H/9) hacia arriba y tirar nuevamente de la cuerda de arranque hasta que marche el motor.



- Después de arrancar el motor, presionar a fondo el acelerador (J/8) y soltarlo otra vez inmediatamente, y la posición de medio gas se desencastra.
- Antes de trabajar a plena carga dejar que el motor se caliente aprox. 1 min. a un número medio de revoluciones.

### Arranque en caliente

Arrancar el motor como en frío, pero sin activar el choke.

### Parar el motor

Empujar el interruptor (J/6) a la posición:





## Ajuste del carburador

### Información importante:

El carburador de esta herramienta viene equipado con capuchones limitadores que limitan la gama de ajuste y previenen ajustes que den lugar a una mezcla demasiado rica. Esto asegura una buena prestación del motor y un consumo eficaz del combustible. Antes de instalar los capuchones, el fabricante realiza un „ajuste básico“.

**El ajuste del carburador sirve para lograr el máximo de potencia. Debe efectuarse estando el motor calentado y el filtro de aire limpio. En lo posible, este trabajo debe realizarlo un técnico especializado.**

El carburador ha sido ajustado a una presión atmosférica del nivel normal cero. Otras condiciones de presión atmosférica o el proceso de suavización el motor pueden hacer necesario un reajuste del carburador.

Para un ajuste exacto del carburador es indispensable utilizar un cuentarrevoluciones (N° de pedido 950 233 210).

Antes de ajustar el carburador, instalar el cuentarrevoluciones y calentar el motor con una marcha de 3 a 5 min.

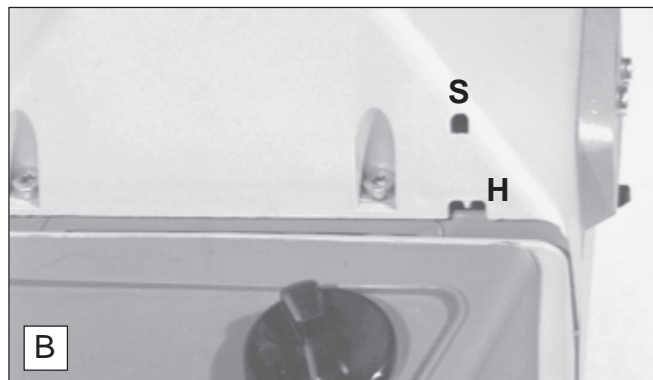
### Ejecutar las siguientes instrucciones para el ajuste correcto:

1. ajuste básico
2. arrancar el motor
3. poner en vacío
4. ajustar el número de revoluciones
5. controlar el número de revoluciones sin carga
6. controlar la aceleración
7. controlar el número de revoluciones o la potencia max.
8. repetir el proceso de ajuste empezando con punto 3 hasta lograr el número de revoluciones sin carga, el número de revoluciones max. y la aceleración correspondientes al ajuste efectuado.



#### ajuste básico (punto 1)

- Antes de la primera operación, asegúrese de que los tornillos de ajuste (H y L) no estén completamente atornillados. Los capuchones limitadores no protegen al motor de una mezcla demasiado pobre.
- Gire los dos tornillos de ajuste (H y L) en el sentido de las agujas del reloj hasta donde sea posible.
- Ponga en marcha el motor para que se caliente (punto 2)



#### poner en vacío (punto 3)

- Si la herramienta girara al marchar el motor, desatornillar el tornillo de tope de la válvula de mariposa (S), hasta que la herramienta deje de girar. El número de revoluciones en vacío debe ser de 2.300 - 2.500 1/min.

#### ajustar el número de revoluciones (punto 4)

- Ajustar el número de revoluciones a 13.000 - 13.500 1/min. girando el tornillo del surtidor principal (H).

Para reducir la parte del combustible en la mezcla de combustible y aire y aumentar simultáneamente el número de revoluciones del motor, enroscar el tornillo del surtidor principal (H).

#### Atención:

Un número de revoluciones superior a 13.500 1/min. reduce la vida útil de la desbrozadora.



#### controlar el número de revoluciones sin carga (punto 5)

- El número de revoluciones en vacío debe controlarse (la herramienta no debe girar) o reajustarse después del ajuste del número máximo de revoluciones a 2.300-2.500 1/min. girando el tornillo del surtidor de ralentí (L). Para aumentar el número de revoluciones, enroscar el tornillo (L) y para reducirlo, desenroscar el tornillo (L).

#### controlar la aceleración (punto 6)

- Controlar la aceleración, es decir el tiempo necesario para aumentar el número de revoluciones desde cero hasta el valor máximo, accionando de golpe el acelerador.
- Si la aceleración es demasiado lenta, desatornillar el tornillo del surtidor de ralentí (L) por aproximadamente 1/8 vuelta.

## MANTENIMIENTO Y CUIDADO

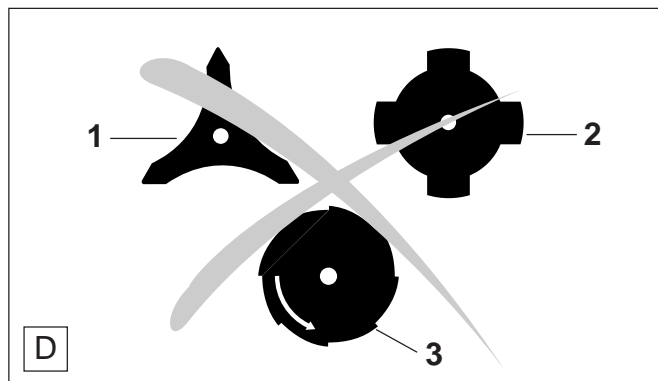


**ATENCIÓN:** Los trabajos de mantenimiento sólo deben realizarse con el motor parado.  
¡Retirar el capuchón de la bujía y llevar guantes de protección!

**ATENCIÓN:** ¡La desbrozadora debe utilizarse únicamente después de haber completado su montaje y su control!

### Reafilar las herramientas de corte

Atención: ¡Usar guantes de protección para el reafilado!



**Atención:** Las herramientas siguientes solamente deben ser reafiladas por un taller especializado. Un reafilado a mano causa desequilibrios de la herramienta y vibraciones y daños de la desbrozadora.

- Cuchilla de 3 dientes (D/1)
- Lama de 4 dientes (D/2)
- Hoja de sierra de 8 dientes (D/3)

Cualquier taller MAKITA efectúa un reafilado y equilibrado correctos.

**Observación:** Para prolongar la duración de la cuchilla de 3 dientes y de la lama de 4 dientes, invertirlos una vez, hasta que ambos filos estén desgastados.

### Hoja con dentado de cincel

Al reafilar la hoja con dentado de cincel (E/4) con una lima redonda, poner atención en un reafilado uniforme de todos los filos.

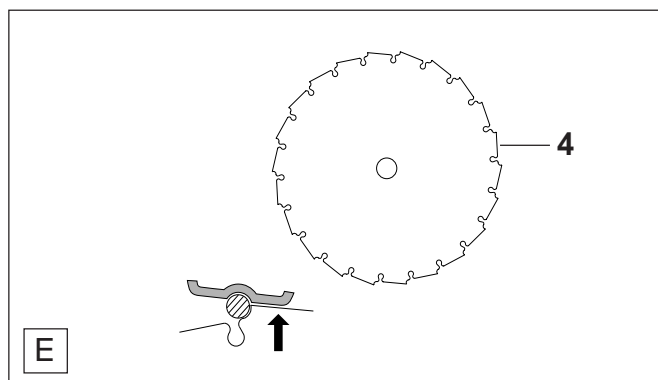
Si un solo diente está dañado, es necesario reafilar todos los dientes hasta adaptarlos al mismo.

Si un diente está desportillado, es necesario recambiar la hoja con dentado de cincel.

Una herramienta de afilado irregular causa vibraciones fuertes por desequilibrios. Estas vibraciones producen daños de la desbrozadora y de por sí vibraciones en las muñecas.

Reafilar la hoja con dentado de cincel con una lima redonda especial de  $\varnothing$  5,5 mm con mango (N° de pedido 953 009 000). Las demás limas redondas son inadecuadas.

Si se afila a mano la hoja dentada montada, la desbrozadora debe estar colocada sobre una base segura.

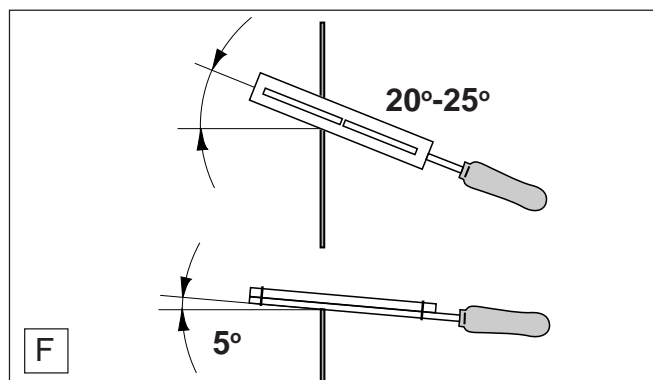


Reafilar sólo la cara de ataque del diente. El mango debe apoyarse en el lomo del diente (flecha).

Después de repetidos reafilados es necesario hacer reafilar y equilibrar la hoja con dentado de cincel por un taller especializado.

**Atención:**

Por razones de seguridad, no enderece ni solde una herramienta de corte dañada.

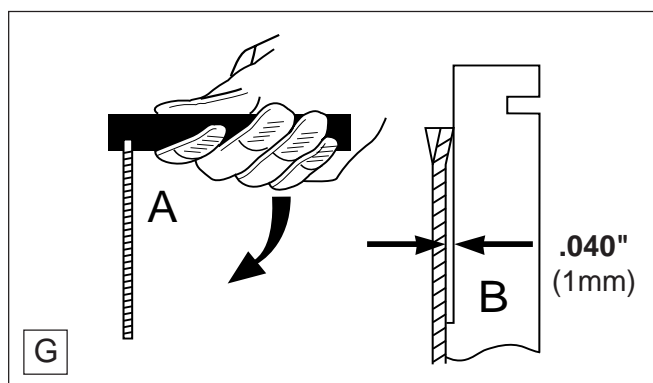


El ángulo de afilado debe ser siempre de 20°-25° (F).

Para ello debe conducirse la marcación del mango de la lima paralelamente a la hoja dentada.

El ángulo de inclinación es unos 5° (F).

### Triscado



Si la hoja de sierra agarrota al cortar, controlar el triscado de los dientes.

El triscado debe ser de .040" (1 mm).

Para retriscar los dientes, utilizar un triscador (N° de pedido 953 385 010). El triscador forma parte de nuestros accesorios.

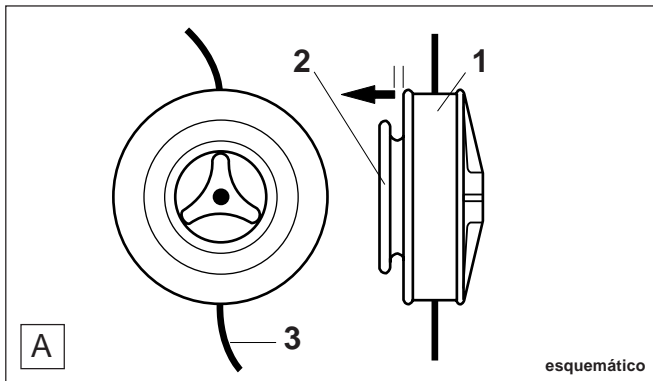
El sentido de triscado de los dientes no debe cambiarse.

Presionar el triscador hacia abajo (figura A).

Para controlar el sentido correcto, colocar la hoja de sierra junto al triscador. El diente debe tener contacto con el escalón del triscador (figura B).

## Cabeza cortadora de hilos

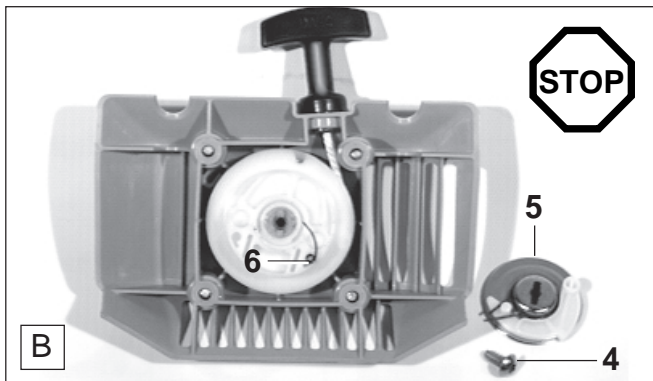
### Reajustar el hilo:



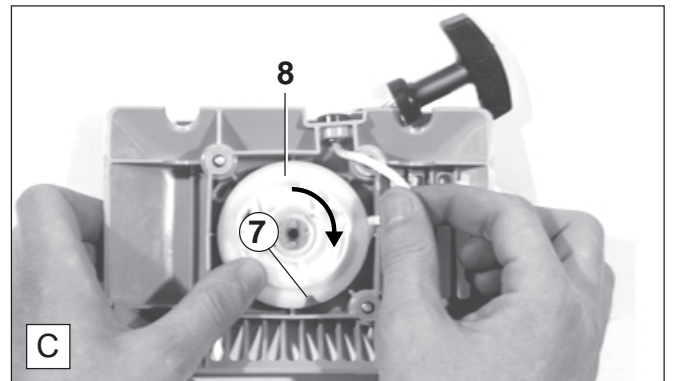
- Mantener sujeta la caja (A/1) y tirar fuertemente de la tapa (A/2) en el sentido de la flecha y en el sentido contrario de la presión del muelle, hasta que la tapa (A/2) pueda girarse en el sentido contrario a las agujas del reloj.
- Volver a soltar la tapa de la caja (A/2) y seguir girando contra el sentido de las agujas del reloj hasta que vuelva a encastrar automáticamente.
- Tirar de ambos extremos del hilo (A/3) hasta el tope. Repetir el proceso hasta que el hilo tenga una longitud de unos 6" (15 cm).

La cabeza de hilos cortantes se suministra con una descripción detallada para el recambio de hilos.

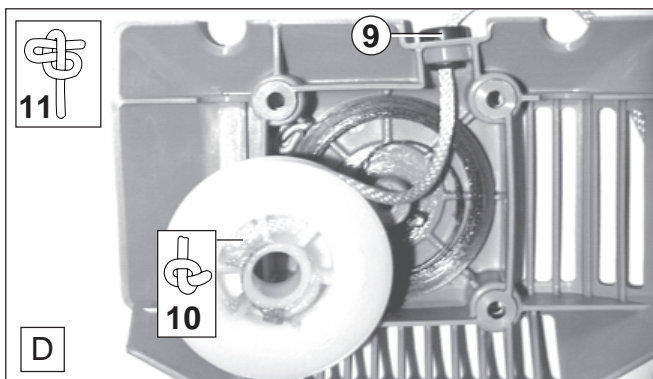
### Recambiar el cable de arranque



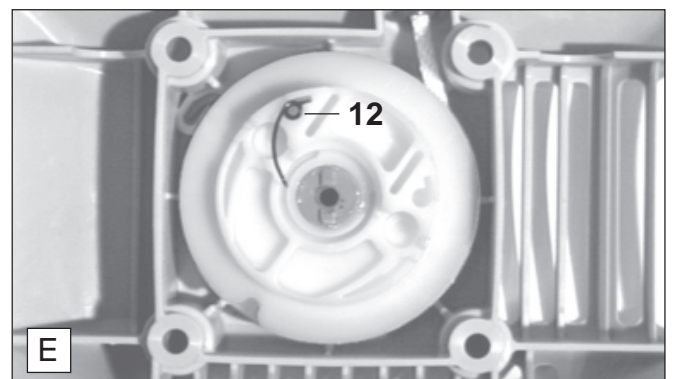
- Desatornillar el cárter del ventilador.
- Desatornillar el tornillo central (B/4).
- Quitar la polea conductora (B/5) con trinquete de arranque y muelle de freno.
- Quitar el muelle del trinquete (B/6).



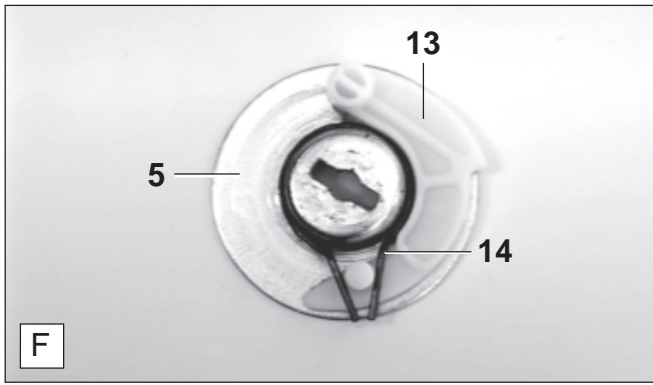
- Tirar del asidero de arranque hasta unos 12" (30 cm).
- Mantener sujeta el tambor del cable y tirar hacia afuera el cable con un atornillador o algo similar.
- Estando el cable en la ranura (C/7), dejar girar (en el sentido de la flecha) el tambor lentamente hacia atrás hasta que quede aflojado el muelle.
- Quitar el tambor (C/8).
- Si el cable de arranque está roto, sacarlo del tambor y del asidero de arranque.
- Antes de volver a montar el tambor del cable, lubricar ligeramente el eje central con grasa universal (N° 944 360 000).



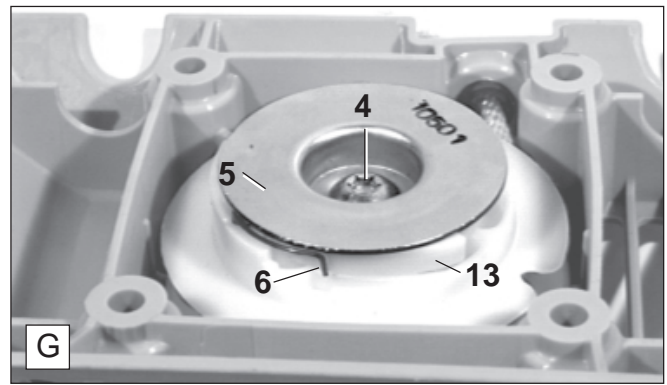
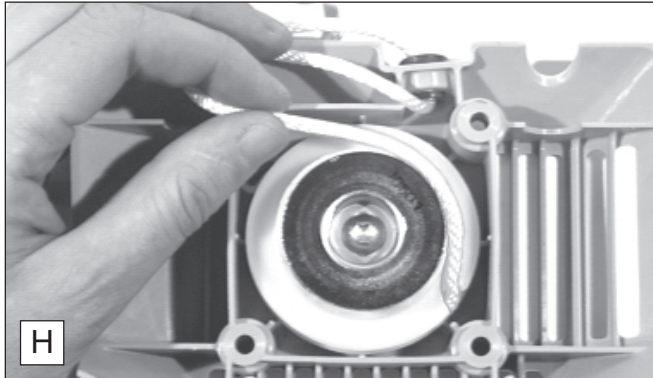
- Tirar el cable a través del casquillo guía (D/9) y enhebrarlo desde afuera en el agujero del tambor del cable.
- Introducir, presionando, un extremo del cable con un nudo (D/10) en el tambor.
- Fijar el otro extremo del cable (D/11) en el asidero de arranque.
- Enrollar el cable aproximadamente 3 1/4 vueltas alrededor del tambor. ¡Poner atención en el sentido de giro (en el sentido de montaje, el sentido contrario a las agujas del reloj)!



- Montar el tambor en la caja y, girándolo en el sentido contrario a las agujas del reloj, controlar si el muelle recuperador está enganchado correctamente.
- Montar el muelle del trinquete (E/12) en el tambor, como indica la ilustración.



- Lubricar ligeramente la polea de guía (F/5) con grasa universal y montar el trinquete (F/13) y el muelle de freno (F/14) como indica la ilustración.



- Montar la polea conductora (G/5) con el trinquete y el muelle de freno en el tambor de modo que el muelle del trinquete (G/6) haga presión contra el trinquete (G/13).
- Girar la polea conductora (G/5) de modo que la guía de la caja esté en la ranura de la polea conductora.
- Ajustar el tornillo (G/4).
- Tirar el cable hacia afuera, introducirlo en la ranura del tambor y girarlo junto con el tambor, por 1 vuelta, en el sentido contrario a las agujas del reloj. Soltar el tambor y dejar que el tambor, por la tensión del muelle, enrolle el cable.
- Repetir el proceso, hasta que el asidero de arranque quede erguido en el cárter del ventilador.
- Volver a montar el cárter del ventilador.

## Recomendaciones para el mantenimiento

Los usuarios de desbrozadoras solamente podrán realizar los trabajos de mantenimiento y cuidado descritos en estas instrucciones de manejo. Todas las demás tareas solamente podrán ser realizadas por un taller especializado de MAKITA.

Después de cada 50 cargas del depósito deberá encomendarse el mantenimiento a fondo y una inspección exhaustiva de la desbrozadora a un taller especializado de MAKITA.

### Mantenimiento diario

Efectuar los trabajos de mantenimiento siguientes a diario, después del uso:

- Limpiar el exterior de la desbrozadora y controlar si está dañada.
- Limpiar el filtro de aire (descrito en lo siguiente). Si se trabaja bajo condiciones extremadamente polvorientas, hacerlo con mayor frecuencia.
- Controlar si la herramienta está dañada o soltada.
- Controlar si la diferencia entre el número de revoluciones en vacío y el número de revoluciones de embrague es lo suficientemente grande para asegurar que la herramienta quede detenida cuando el motor marcha en vacío (si es necesario, reducir el número de revoluciones en vacío (ver página 65). Si la herramienta sigue girando, acudir a un taller especializado.
- Controlar la función del pulsador de bloqueo, del interruptor de cortocircuito y del acelerador (ver página 64).

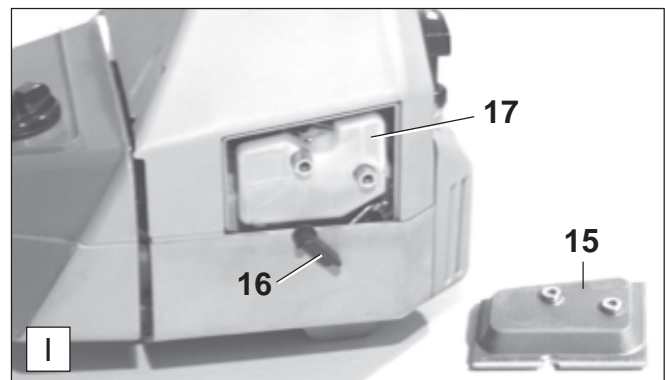
### Limpiar el filtro de aire



- Quitar la tapa del filtro (I/15). Cerrar la palanca del choke (I/16) para evitar que penetren en el carburador partículas de suciedad.
- Quitar el filtro de aire (I/17) y limpiarlo con un pincel o un cepillo blando.

**Atención:** Para evitar lesiones en los ojos, las partículas de suciedad no deben eliminarse mediante el soplado.

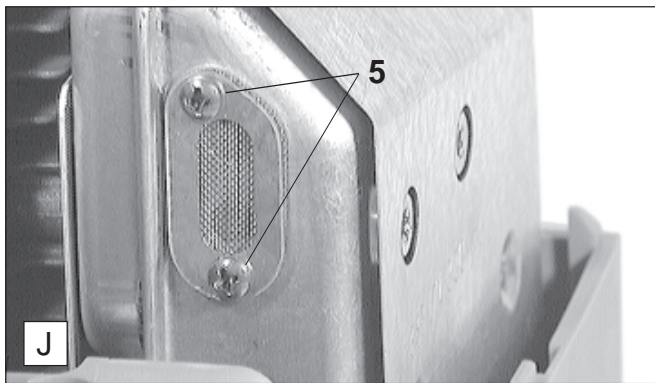
- Lavar los filtros de aire muy ensuciados en lejía tibia con detergentes de vajilla usuales.
- Si es necesario, limpiar el filtro frecuentemente (varias veces al día), porque sólo un filtro limpio asegura una potencia óptima del motor.
- Antes de montar el filtro de aire, controlar la palanca del choke por eventuales partículas de suciedad y si las hubiera, eliminarlas con un pincel.



- Montar el filtro de aire en la desbrozadora cuando esté bien seco.

**Atención:** Recambiar inmediatamente los filtros de aire dañados. Los pedazos de tejido desgarrado o las partículas de suciedad gruesas pueden destruir el motor.

## Recambio/limpieza de la rejilla parachispas



La rejilla parachispas debe examinarse y limpiarse a intervalos regulares.

- Remueva la tapa del filtro (ver: „Controlar los tornillos del silenciador“).
- Suelte los 2 tornillos (J/5) y remueva la rejilla parachispas
- Limpie la rejilla parachispas con un cepillo suave.

**PRECAUCIÓN:** No use objetos afilados ni puntiagudos para limpiar la rejilla parachispas, ya que podría deteriorar o deformar los alambres de la rejilla.

**IMPORTANTE:** ¡Si la rejilla parachispas estuviera dañada, reemplácela inmediatamente!

- Vuelva a montar la rejilla parachispas y ajuste los tornillos.

## Mantenimiento semanal

### Control de bujías/ recambio

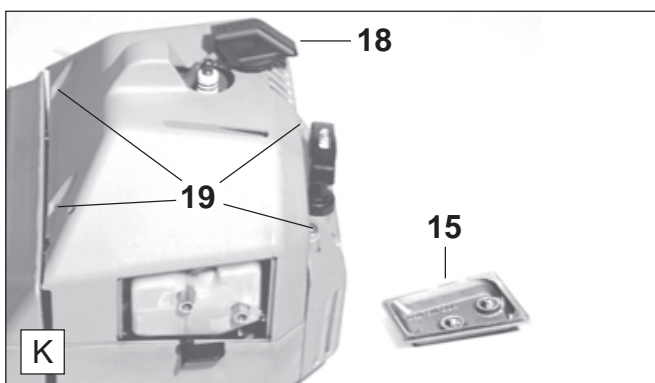


#### ATENCIÓN:

Con el motor en marcha no deben tocarse ni la bujía ni el capuchón de la bujía (alta tensión).

Los trabajos de mantenimiento sólo deben realizarse con el motor parado.

El motor calentado puede ocasionar quemaduras. ¡Llevar guantes de protección!



En los casos de daños del cuerpo aislante, grandes desgastes de electrodos o electrodos muy ensuciados o aceitados debe recambiarse la bujía.

- Retirar el capuchón de la bujía (K/18) de la bujía. La bujía sólo debe desmontarse con la llave universal suministrada.

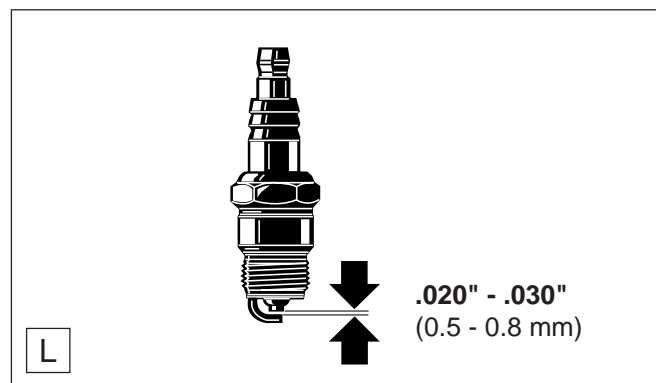
**Atención:** Como repuesto debe usarse solamente la bujía **CHAMPION RCJ-6Y, BOSCH WSR 6F** o **NGK BPMR 7A**.

### Controlar los tornillos del silenciador



**Atención:** ¡Los tornillos del silenciador no deben reajustarse con el motor caliente!

- Quitar la caperuza de la bujía (K/18), y desatornillar y quitar la tapa del filtro (K/15).
- Soltar cuatro tornillos de fijación de la cubierta protectora (K/19) y quitarla.
- Controlar la firmeza de los tornillos del silenciador (M/20) con la llave universal. Si estuvieran flojos, ajustarlos a mano (atención: no pasarlos de rosca).



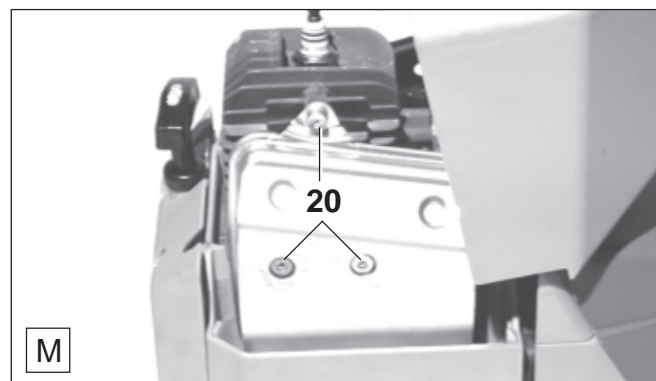
### Distancia entre electrodos

La distancia entre los electrodos debe ser de .020\" - .030\" (0.5 - 0.8 mm).

### Control de la chispa de encendido

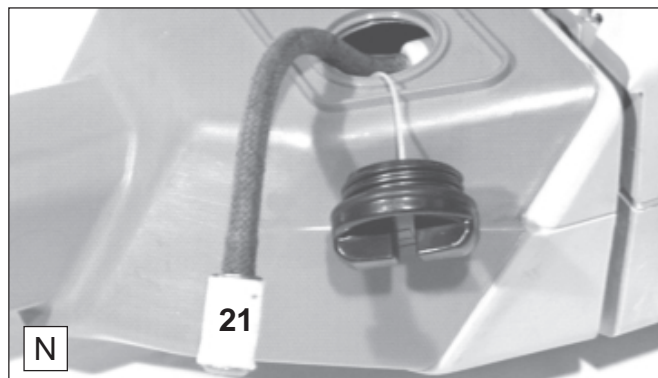
- Mediante una pinza aislada, presionar la bujía desenroscada, con el cable de encendido firmemente colocado, contra el cilindro (no hacerlo cerca del agujero de la bujía).
- Poner el interruptor Start/Stop en posición „I“.
- Tirar fuertemente de la cuerda de arranque.

Si el funcionamiento es normal, debe verse una chispa en los electrodos.



## Mantenimiento periódico

### Cabezal de aspiración en el depósito

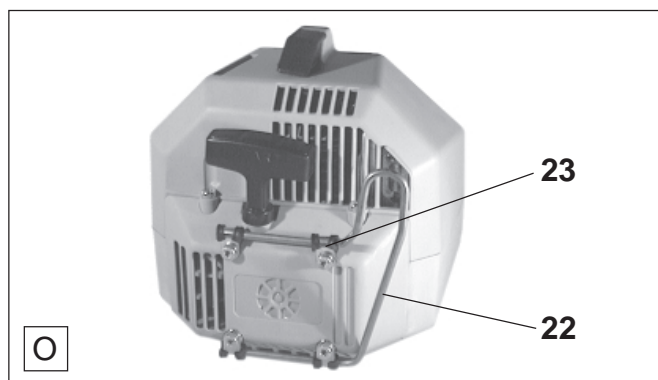


El combustible es limpiado por el fieltro (N/21) del cabezal de aspiración antes de llegar al carburador.

Efectuar periódicamente un examen visual del fieltro. Para ello, tirar el cabezal de aspiración mediante un alambre curvado a través de la abertura del depósito de combustible. Si el filtro de fieltro está solidificado, aglutinado o está sucio, recambiarlo (ver: „Extracto del listado de repuestos“).

Una alimentación de combustible demasiado baja puede causar un número de revoluciones del motor que supera el máximo valor admisible. Para asegurar una alimentación óptima de combustible, cambiar el filtro de fieltro aproximadamente una vez por trimestre.

### Protección del silenciador

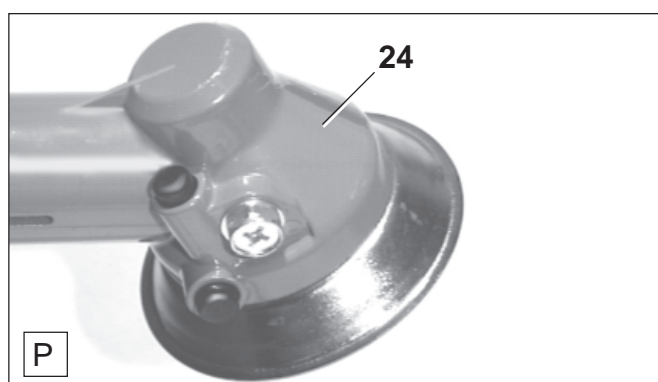


Compruebe si la protección del silenciador (O/22) está en buenas condiciones. Una protección de silenciador deformada, rota o faltante puede ocasionar incendios forestales, especialmente con tiempo seco.

¡Reemplace inmediatamente el silenciador si estuviese defectuoso!

Examine también los cuatro anillos de apriete (O/23) antes de usar la desbrozadora. Reemplace inmediatamente los anillos de apriete si estuvieran dañados. El montaje y posicionamiento correcto del silenciador es fundamental para garantizar una protección contra el peligro de incendio causado por escapes de chispas del motor.

### Recomendación para el engranaje angular



El engranaje angular (P/24) está equipado con un depósito de grasa para una lubricación permanente. Por eso no requiere mantenimiento.

Si saliera una mayor cantidad de grasa del engranaje angular, acudir a un taller de MAKITA.

#### Servicio y mantenimiento

Le recomendamos efectuar un mantenimiento y un examen visual completos por un taller especializado MAKITA en periodos regulares.

**Todos los trabajos de mantenimiento y ajuste no descritos en estas instrucciones de manejo deberían ser realizados por un taller especializado de MAKITA.**

## Puesta fuera de funcionamiento y almacenamiento

Si no se necesita la desbrozadora durante más de 6 semanas, deben observarse las recomendaciones siguientes.

- Ejecutar el mantenimiento descrito en las páginas 66 - 72.
- Descargar el depósito completamente, arrancar el motor y dejarlo en marcha hasta que se pare por falta de combustible. Los combustibles modernos tienen una propiedad de almacenamiento limitada y pueden generar sedimentos en el depósito de combustible o en el carburador.
- El combustible de bidones de reserva debe usarse para otros motores o eliminarse.
- Limpiar herramientas de corte metálicas y lubricarlas ligeramente.
- Almacenar la desbrozadora sólo en recintos secos.
- Al ponerla nuevamente en marcha, usar combustible fresco y preparar la mezcla de dos tiempos anteriormente descrita.

## Instrucciones para el mantenimiento regular

A efectos de lograr una prolongada vida útil, de evitar daños y de asegurar el pleno funcionamiento de los dispositivos de seguridad, los trabajos de mantenimiento descritos a continuación deberán realizarse con regularidad. Los derechos de garantía se reconocerán solamente si estos trabajos se han realizado de forma regular y reglamentaria. ¡La no observación de estas instrucciones puede originar accidentes!

Página

<b>En general</b>	Desbrozadora completa	Inspección visual en cuanto a avatauales daños, fijaciones sueltas y hermeticidad del depósito de combustible	68-70
<b>Después de cada carga del depósito</b>	Accelerador Tecla de bloqueo Interruptor de parada STOP	Prueba de funcionamiento Prueba de funcionamiento Prueba de funcionamiento	64 64 64
<b>Cada día</b>	Filtro de aire Herramienta de corte r.p.m. en vacío	Limpiar Control: daños y filo Controlar (herramienta de corte no debe girar)	68 66 65
<b>Cada semana</b>	Bujía Silenciador	Controlar, cambiar si fuese necesario Controlar, reajustar los tornillos	69 69
<b>Cada tres meses</b>	Cabezal de aspiración Depósito de combustible	Recambiar Limpiar	70
<b>Antes de almacenar</b>	Depósito de combustible Carburador	Descargar Eliminar con la marcha del motor	

## Servicio de taller, repuestos y garantía

### Mantenimiento y reparaciones

El mantenimiento y la reparación de modernas desbrozadoras y de subconjuntos de seguridad requieren una preparación técnica cualificada y un taller equipado con herramientas e instrumentos de ensayo especiales.

Por ello, MAKITA recomienda que todos los trabajos que no estén descritos en este manual de manejo se encomienden a un taller especializado de MAKITA. El técnico especializado cuenta con la preparación, la experiencia y el equipamiento necesarios para brindarle la solución más económica en cada caso, brindándole el apoyo que Ud. necesite.

Por favor, ver por el taller más próximo en la lista de direcciones adjuntada.

### Repuestos

La seguridad funcional en el servicio permanente y la seguridad del operador de la desbrozadora dependen entre otras cosas de la calidad de los repuestos usados.

Por eso deben utilizarse sólo REPUESTOS ORIGINALES DE MAKITA, identificados con: 

Únicamente las piezas originales son parte de la producción del equipo, garantizando con ello una máxima calidad en cuanto a materiales, exactitud de dimensiones, función y seguridad.

Los repuestos y accesorios originales se pueden comprar en el comercio especializado, que también tiene las listas de repuestos con los números de pedido requeridos y siempre está al corriente sobre mejoras e innovaciones de la oferta de repuestos.

Tenga Ud. en cuenta que si se utilizan piezas que no son originales de MAKITA, la organización MAKITA no podrá prestar su garantía.

Si los repuestos que no son originales de MAKITA ocasionaran desperfectos no se asumirán los costos ocasionados por los mismos.

## Garantía

MAKITA garantiza una calidad inmejorable y asume los costos de enmiendas, recambiando las piezas defectuosas por razón de defectos del material o de fabricación que ocurran dentro del plazo de garantía a partir del día de compra.

Tenga en cuenta que en algunos países rigen condiciones de garantía especiales. En caso de dudas, diríjase a su vendedor, quien como vendedor del producto, es responsable de la garantía del mismo.

Esperamos contar con su comprensión de que en los siguientes casos de defectos no podemos prestar garantías

- No observación de las instrucciones de manejo.
- Omisión de los trabajos de mantenimiento o limpieza necesarios.
- Exceso del número max. de revoluciones admisible por causa de un ajuste defectuoso del carburador.
- Daños por causa de un ajuste inadecuado del carburador.
- Desgaste normal.
- Sobrecarga evidente por exceso permanente del límite de potencia.
- Uso de fuerza, manejo inadecuado, uso impropio o accidente.
- Recalentamiento por ensuciamiento del aire de refrigeración.
- Manejo por personas incompetentes o intentos de reparación ejecutados inadecuadamente.
- Uso de piezas de repuesto inadecuadas o no originales de MAKITA, si ocasionaran el daño.
- Uso de combustibles inadecuados o caducados.
- Daños ocasionados por condiciones de servicio atribuibles al negocio de alquiler.
- Por omisión del reajuste en tiempo oportuno de los tornillos externos.

Los trabajos de limpieza, conservación y ajuste no son reconocidos como prestación de garantía. Todo trabajo de garantía debe ser realizado por un vendedor especializado de MAKITA.

## Localización de desperfectos

Desperfecto	Sistema	Observación	Causa
No arranca el motor, o arranca con grandes dificultades	Sistema de encendido	Hay chispa de encendido	Defecto en alimentación de combustible, sistema de compresión, defecto mecánico
	Alimentación de combustible	No hay chispa de encendido	Interruptor STOP activado, defecto en cableado capuchón de la bujía defectuosa, módulo de encendido defectuosa
		Depósito de combustible cargado	Posición del choke incorrecto, carburador defectuosa, cabezal de aspiración sucio, tubería de combustible quebrada o interrumpida
		Sistema interior	Junta de la base del cilindro defectuosa, retenes radiales del eje dañados, cilindro o aros de pistón defectuosas
Defecto mecánico	Sistema exterior	Bujía no cierra herméticamente	
	No engancha el arranque	Muelle en dispositivo de arranque roto, componentes rotos en el interior del motor	
Problemas de arranque en caliente		Depósito cargado Hay chispa de encendido	Ajuste del carburador incorrecto
El motor arranca, pero no marcha	Alimentación de combustible	Depósito cargado	Ajuste incorrecto de las r.p.m. en marcha en vacío, cabezal de aspiración o carburador ensuciados Ventilación del depósito defectuosa, tubería de combustible interrumpida, cable defectuoso, interruptor STOP defectuoso
Potencia insuficiente	Varios sistemas pueden estar afectados al mismo tiempo	Motor marcha en vacío	Filtro de aire sucio, ajuste del carburador incorrecto, silenciador obturado, conducto de gases de escape del cilindro embotado







**Makita U.S.A., Inc.**  
14930 Northam Street  
La Mirada  
CA 90638-5753  
USA

**Makita Canada Inc.**  
DOLMAR Division  
1950 Forbes Street  
Whitby, Ontario  
Canada, L1N 7B7

Form: 995 707 237 (9.03 GB, F, E)  
Specifications subject to change without notice  
Changements sans préavis  
Mejoras constructivas sin previo aviso

## Free Manuals Download Website

<http://myh66.com>

<http://usermanuals.us>

<http://www.somanuals.com>

<http://www.4manuals.cc>

<http://www.manual-lib.com>

<http://www.404manual.com>

<http://www.luxmanual.com>

<http://aubethermostatmanual.com>

Golf course search by state

<http://golfingnear.com>

Email search by domain

<http://emailbydomain.com>

Auto manuals search

<http://auto.somanuals.com>

TV manuals search

<http://tv.somanuals.com>