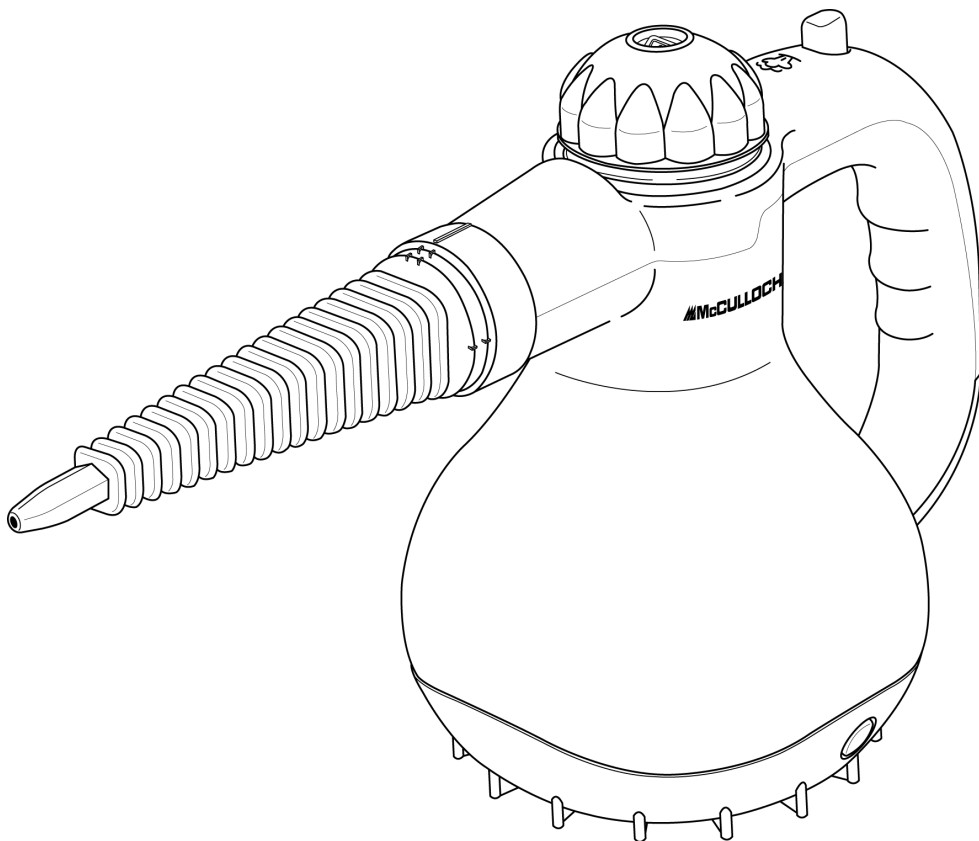




Handheld Steam Cleaner

MODEL MC1226

Owner's Guide



Please read all instructions before use.

KEEP YOUR RECEIPT FOR WARRANTY PURPOSES.

Download from [Www.Somanuals.com](http://www.Somanuals.com). All Manuals Search And Download.

IMPORTANT SAFETY INSTRUCTIONS



WARNING: To reduce risk of fire, electrical shock or injury, the following basic safety precautions should always be followed when using an electrical appliance.

WARNING: To reduce the risk of electrical shock, this appliance uses a grounded (three-pronged) plug. This plug will fit in a grounded wall outlet only one way. If the plug does not correctly fit in the outlet, contact a licensed electrician to install a proper outlet. **DO NOT** attempt to modify the plug or defeat this safety feature.

READ ALL INSTRUCTIONS BEFORE USE



DANGER

Any appliance is electrically live even when switched off. To reduce risk of electrical shock:

1. Always unplug power cord immediately after using.
2. Do not place or store unit where it can fall or be pulled into a sink or tub.
3. Do not place in, or drop into water or other liquid.
4. If unit falls into water, immediately unplug power cord. Do not reach into the water.



WARNING

To reduce risk of burns, electrocution, fire, or injury to persons:

1. Use Handheld Steam Cleaner only for its intended purpose as indicated in this manual.
2. If an extension cord is necessary, use a properly rated cord (15 ampere, 14 gauge). Use care to position extension cord where it is least likely to be damaged or tripped over during use.
3. Before plugging power cord into electrical outlet, be sure that all electrical information on rating label agrees with your power supply.
4. To reduce likelihood of circuit overload, **DO NOT** operate another high wattage appliance on the same circuit as this unit.
5. To protect against risk of electrical shock, do not immerse unit in water or other liquids. Do not use power cord as handle, let it hang over edges of counters, or be crimped or closed in doors.
6. Never yank power cord to disconnect from outlet; instead, grasp plug and pull to disconnect.
7. Do not operate unit with a damaged power cord or if the unit has been dropped or damaged. To avoid risk of electrical shock, do not disassemble unit; contact Steamfast Consumer Service for examination and repair. Incorrect reassembly can cause a risk of electrical shock when unit is used.
8. Close supervision is required for any appliance being used near children, pets and plants. Do not leave unit unattended while plugged in.
9. This unit is not intended for use by persons (including children) with reduced physical, sensory or mental capabilities, or lack of experience and knowledge, unless they have been given supervision or instruction concerning use of the unit by a person responsible for their safety.

10. Do not use unit where aerosol-based products are being used, or where oxygen is being administered.
11. Unit is only meant to be used with recommended Handheld Steam Cleaner (model MC1226) accessories. Using other types of attachments may cause damage to unit or injury.
12. If Heating Indicator Light does not illuminate when power cord is plugged in, unit is not operating normally. Immediately disconnect cord from power supply, then refer to troubleshooting guide on Page 12 of this manual for assistance.
13. Do not attempt to use unit without properly filling Boiler with water.
14. When filling unit, only water should be used – other cleaning agents could damage unit or cause injury. Distilled or de-mineralized water is highly recommended, in order to minimize potential build-up of mineral deposits.
15. To reduce risk of contact with hot water emitting from Steam Aperture, check appliance before each use by positioning it away from body and turning it on. Do not operate unit if Steam Aperture is blocked.
16. Burns can occur from touching hot metal parts, hot water, or steam. Do not touch Steam Aperture or attempt to connect any accessories while unit is in use. Use caution when you turn unit upside-down – there may be hot water inside.
17. When steaming any surface for the first time, it is recommended that you consult the manufacturer's guidelines for the material being steamed. For items in question, test on an inconspicuous area before proceeding.
18. Do not allow power cord to touch hot surfaces during use. Loosely bundle cord when storing.
19. Always allow Handheld Steam Cleaner to cool (at least 30 minutes for complete cooling) and empty Boiler before storing.

SAVE THESE INSTRUCTIONS!

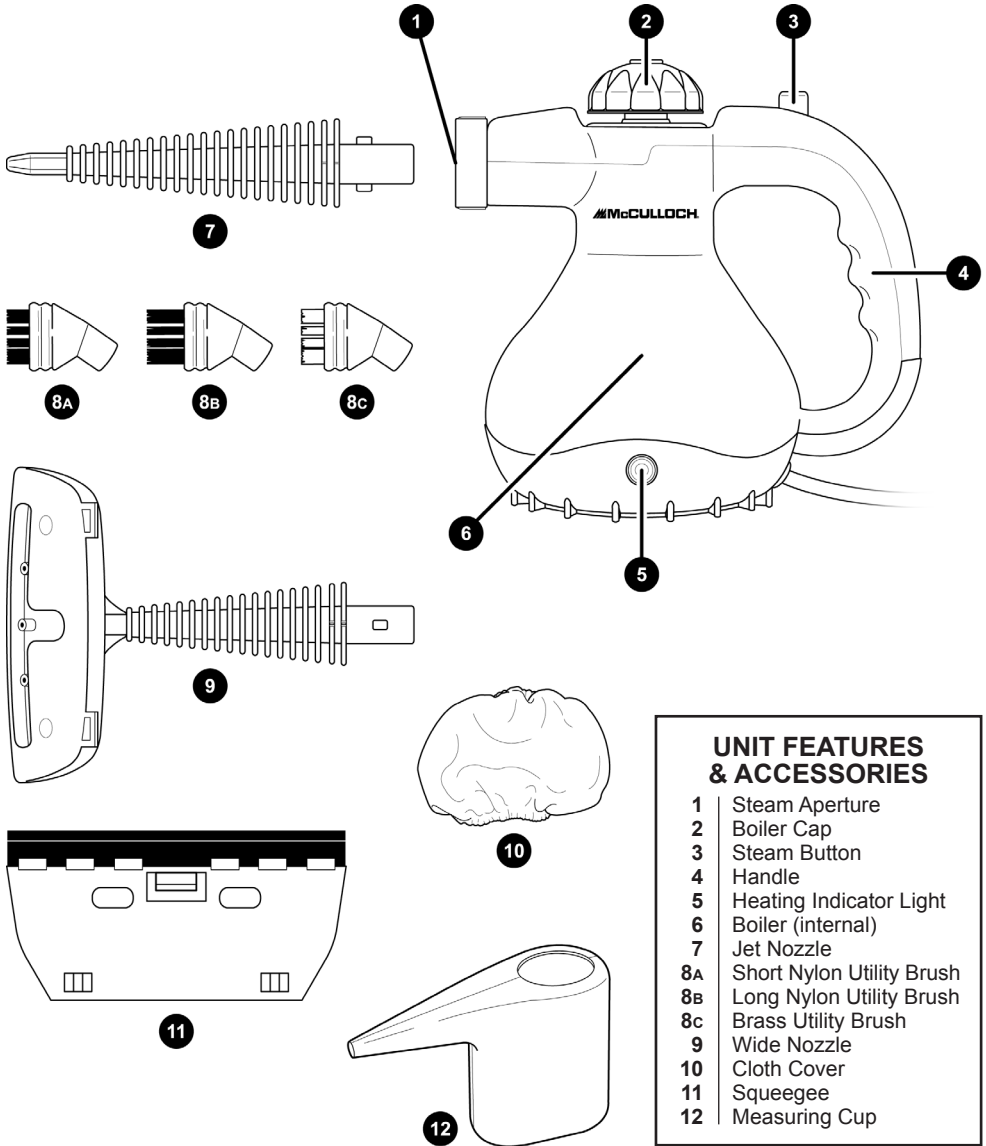
FOR HOUSEHOLD USE ONLY

Questions or comments?

- www.steamfast.com
- consumerservice@steamfast.com
- 1-800-711-6617

Speak your mind! We invite you to review this product online:
www.steamfast.com/reviews

The following features and accessories are included with your Handheld Steam Cleaner. Carefully inspect the packing material for all parts listed below. To obtain possible missing parts, refer to **Product Support** on Page 14 of this manual for Consumer Service contact information.



- The *Steam Aperture* (1) emits a flow of hot, penetrating steam whenever the *Steam Button* is pressed and held. Either the *Jet Nozzle* or *Wide Nozzle* should always be connected to the *Steam Aperture* when the unit is in use.
- The *Boiler Cap* (2) is designed to safely contain steam inside the *Boiler*. The *Boiler Cap* must be unscrewed and removed in order to fill the *Boiler* with water.
- The *Steam Button* (3) is pressed and held in order to start the flow of steam from the *Steam Nozzle*, then released when you wish to stop.
- The *Handle* (4) is engineered to stay cool while providing maximum grip and comfort.
- The *Heating Indicator Light* (5) illuminates when the power cord is plugged in and the *Boiler* has begun heating. The *Heating Indicator Light* will turn off when the *Boiler* is fully heated and the unit is ready to begin producing steam.
- The *Boiler* (6) is the internal reservoir where water is held and heated into steam. For optimal steam production, the *Boiler* should be filled with no more than 6 oz. (180 ml.) of water.
- The *Jet Nozzle* (7) connects to the *Steam Aperture* and is designed to focus the flow of steam for concentrated cleaning. The *Nylon Utility Brushes* and *Brass Utility Brush* all connect to the *Jet Nozzle*.
- The *Short Nylon Utility Brush* (8A), *Long Nylon Utility Brush* (8B) and *Brass Utility Brush* (8C) all connect to the *Jet Nozzle* and are designed for scrubbing especially tough stains. The *Nylon Utility Brushes* are ideal for use on many surfaces around the home, including carpet, ceramic tile, grouting, and more. The *Brass Utility Brush* is perfect for use on BBQ grills, oven racks, automobile engines, shop tools and other hard metal surfaces.

NOTE: Some delicate surfaces, such as painted wood or stainless steel, may be scratched or damaged by the bristles of the *Utility Brushes* – especially the *Brass Utility Brush*. Use careful judgement when deciding what surface to clean with any of the *Utility Brushes*. If you are unsure if a surface will be damaged, it is recommended that you test a small inconspicuous spot before proceeding.

- The *Wide Nozzle* (9) connects to the *Steam Aperture*, dispersing the flow of steam over a wider area for more gentle cleaning. The *Squeegee* and *Cloth Cover* both connect to the *Wide Nozzle*.
- The *Cloth Cover* (10) stretches over the *Wide Nozzle* and is designed to absorb excess moisture, helping to prevent water spotting. This allows effective steaming of fabrics and upholstery.
- The *Squeegee* (11) connects to the *Wide Nozzle* and is designed for cleaning windows, mirrors, and other smooth surfaces.
- The *Measuring Cup* (12) provides an easy and convenient way to consistently fill the *Boiler* with the optimum amount of water (6 oz. / 180 ml.).

CONNECTING JET NOZZLE / WIDE NOZZLE

WARNING: DO NOT attempt to connect any accessories while unit is emitting steam. Doing so could result in burns or other injury.

1. Insert cylinder on back of Jet Nozzle or Wide Nozzle (FIGURE 1-A) into opening of Steam Aperture (FIGURE 1-B). Align it so that two tabs on sides of cylinder fit into two guide grooves on sides of opening, as indicated in FIGURE 1. Be sure to push accessory in as far as possible.

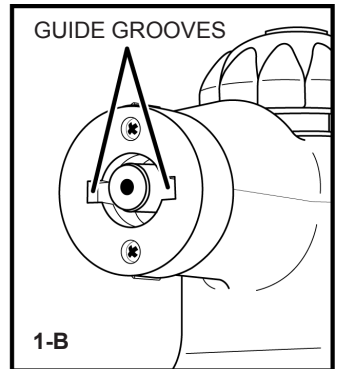
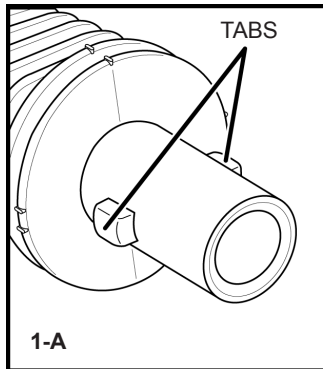


FIGURE 1

2. Rotate Jet Nozzle or Wide Nozzle in a clockwise direction as indicated (FIGURE 2-A). Twist until you feel it "lock" into place and it will move no further. Note that single guide line above Steam Aperture aligns between dual guide lines on Jet Nozzle / Wide Nozzle (FIGURE 2-B).

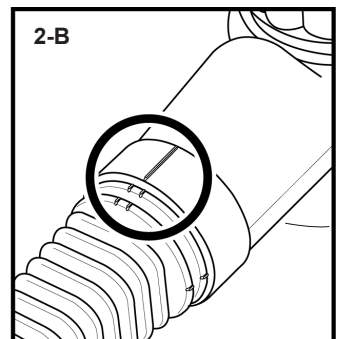
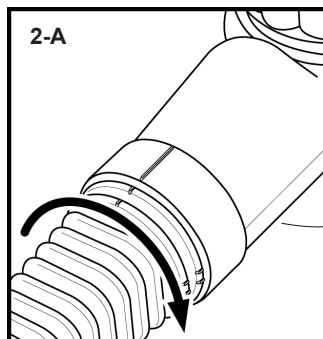


FIGURE 2

3. Note the color difference between the Jet Nozzle or Wide Nozzle (gray) and the Steam Aperture (yellow). When removing the Jet Nozzle or Wide Nozzle, be sure you are only trying to rotate and remove the gray accessory. The Steam Aperture will not rotate and cannot be removed.

CONNECTING UTILITY BRUSHES

NOTE: Both Nylon Utility Brushes and the Brass Utility Brush are all attached in the same manner.

1. Begin by aligning hexagonal-shaped hole on back of Utility Brush (FIGURE 3-A) with hexagonal tip of Jet Nozzle (FIGURE 3-B).
2. Firmly press Utility Brush onto tip of Jet Nozzle (FIGURE 3-C).

CAUTION: Make sure Utility Brush is pushed as far as possible onto tip to ensure that it is seated securely. This will prevent steam leaks and ensure that Utility Brush is not forced off of Jet Nozzle by steam pressure.

3. To remove Utility Brush, simply grasp and firmly pull until it disconnects from Jet Nozzle.

CAUTION: Make sure unit is unplugged and has had sufficient time to cool down before attempting to remove any accessories.

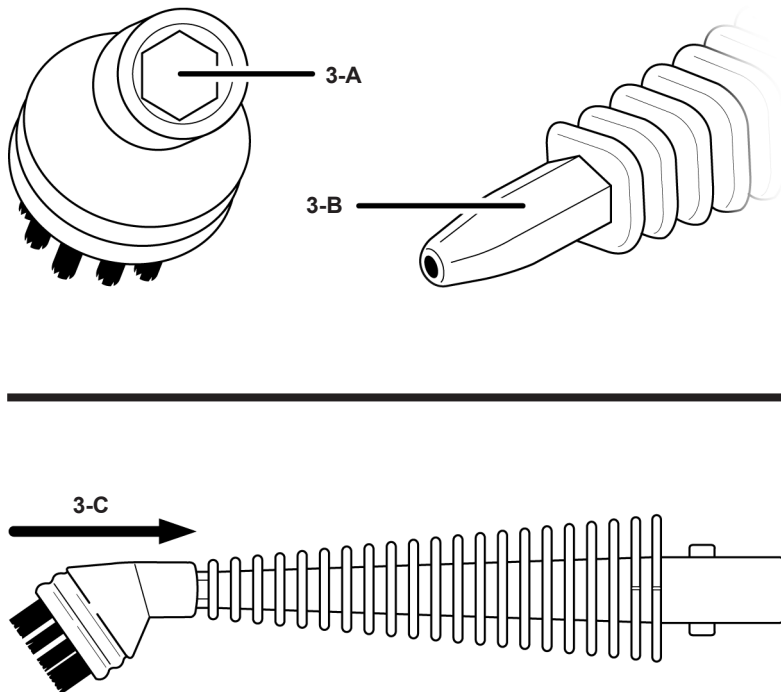


FIGURE 3

CONNECTING SQUEEGEE

1. Connect Squeegee to Wide Nozzle by inserting hook tabs on Squeegee (FIGURE 4-B) into slots on Wide Nozzle (FIGURE 4-A).
2. Swing Squeegee backwards until hook latch on back snaps over tab on top of Wide Nozzle.
3. Connect Wide Nozzle to Steam Aperture as normal (refer to Page 6 for details).

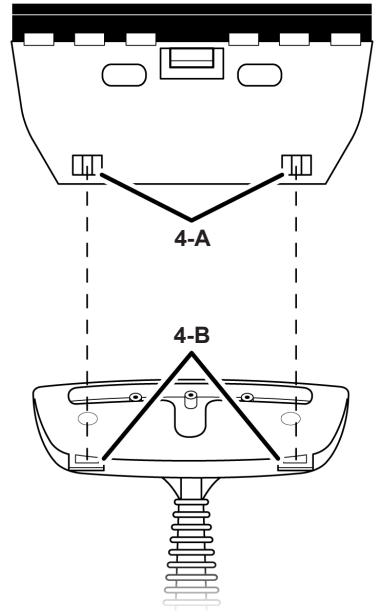


FIGURE 4

USING CLOTH COVER

1. Simply stretch Cloth Cover around Wide Nozzle (FIGURE 5). Cloth Cover should fit snugly enough to stay in place while steaming.
2. Connect Wide Nozzle to Steam Aperture as normal (refer to Page 6 for details).

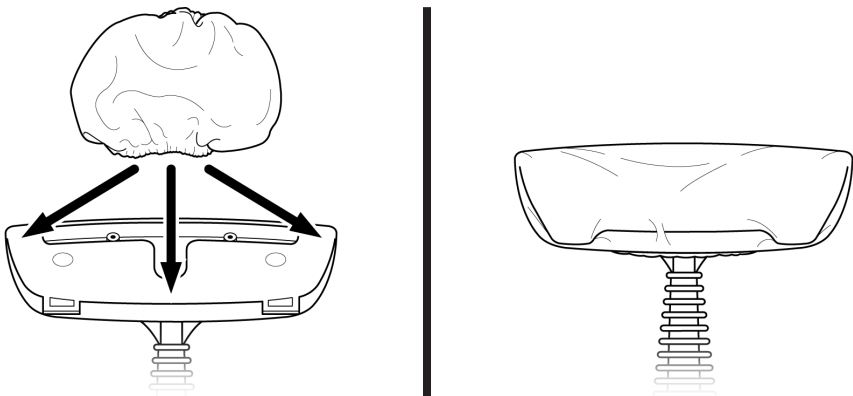


FIGURE 5

FILLING BOILER

1. Place Handheld Steam Cleaner on a flat, level surface.
2. Make sure power cord is unplugged from electrical outlet.
3. Cautiously remove Boiler Cap by unscrewing it in a counter-clockwise direction, and lift it off.

CAUTION: Refer to Refilling procedure below for additional safety precautions that must be taken when refilling the unit after it has been in use.

4. Boiler should always be emptied after each use. If it was not emptied after the previous use, empty it now – this will make it easier to fill with the correct amount of water.
5. Fill included Measuring Cup with 6 oz. (180 ml.) of water.

NOTE: In order to extend the life of your Handheld Steam Cleaner and keep it functioning at it's maximum potential, it is highly recommended that distilled or de-mineralized water be used in Boiler.

6. Carefully pour water from Measuring Cup into Boiler through fill hole.

NOTE: Do not exceed the Boiler's maximum capacity of 6 oz. (180 ml.). This will ensure a better flow of steam with minimal dripping water.

7. Replace Boiler Cap, screwing it in a clockwise direction to tighten. Make sure it is screwed on securely to prevent hot water or steam from escaping.

REFILLING



If unit has been in use, always use the following safety precautions before removing the Boiler cap to add water:

1. Unplug power cord from electrical outlet.
2. Allow 5-10 minutes for Boiler to cool.
3. Press and hold Steam Button to release any remaining steam pressure. **Steam can remain pressurized inside Boiler for up to one hour after use.**
4. Slowly remove Boiler Cap and add water as outlined in Steps 3-7 of **Filling with Water** procedure above.

CAUTION: Boiler may contain some amount of water that is still hot – use care when refilling to avoid burns or other injury.

WARNING: Extreme caution should be used when pouring water into a Boiler that was recently heated – cool water introduced into a warm Boiler may result in a small burst of steam and water. Do not look directly down into fill hole when filling. Keep your free hand and any children or pets at a safe distance.

STEAM CLEANING

NOTE: Before operating, make sure all desired accessories are connected and Boiler is filled with the correct amount of water (refer to Pages 6-9 for details).

1. For first-time use, remove protective plastic cover that is shipped on electrical plug. Plug power cord into a convenient 3-prong electrical outlet. Heating Indicator Light will illuminate to show that unit is receiving power and Boiler has begun to heat.

CAUTION: This unit uses a grounded (3-prong) electrical plug. Use only in properly installed 3-prong electrical outlets. Do not attempt to alter plug or circumvent this safety feature in any way.

2. After approximately 3 minutes, Heating Indicator Light will turn off. This indicates that Boiler is fully heated, and unit is ready to begin steaming.

NOTE: Heating Indicator Light may cycle off and on during use, accompanied by a slight temporary drop in steam pressure – this is a normal part of operation, as the Boiler works to maintain a steady optimal temperature.

3. Point Steam Aperture (and any connected accessories) towards surface you wish to steam, and press Steam Button. Hold Button down for a continuous flow of steam.

CAUTION: Always be sure that Steam Aperture and other accessories are pointed in a safe direction (away from yourself, other people, pets, and plants) before pressing Steam Button.

NOTE: When steaming any surface for the first time, it is recommended that you consult the manufacturer's guidelines for material being steamed. For items in question, test steam on an inconspicuous area before proceeding.

4. Using a slight back-and-forth motion over the area you are steaming will enhance the cleaning process, as will scrubbing the area (if a Utility Brush is connected). Wipe steamed areas with a clean cloth to remove loosened dirt and grime.

CAUTION: Wiping an area while it is still wet is recommended, but use care when wiping surfaces such as metal that may still be hot.

5. To effectively kill bacteria and other microorganisms, hold Steam Aperture (and any connected accessories) approximately 1/2 inch from surface and press Steam Button. Keep Steam Button held and concentrate steam on the same spot for at least 5 seconds.
6. At its maximum capacity (6 oz. / 180 ml.), the Boiler will provide approximately 8 minutes of continuous steam. If you wish to continue steaming, refer to **Refilling** procedure on Page 10 to refill Boiler.
7. Once you are finished using your Handheld Steam Cleaner, immediately unplug power cord from electrical outlet. Refer to **Storage & Care** guidelines on Page 11 for proper cleaning and storage procedures.

PROPER STORAGE

Preparing your Handheld Steam Cleaner for storage is quick and simple. When you have finished your steaming tasks, follow the steps listed below.

1. Unplug power cord from electrical outlet.
2. Allow unit to cool (at least 30 minutes for complete cooling).
3. Press and hold Steam Button to release any remaining steam pressure.
4. Remove any connected accessories from unit.
5. Unscrew and remove Boiler Cap. Drain any remaining water in Boiler into a sink or tub – this will help to minimize potential mineral build-up in the Boiler, as well as prevent unintentional overfilling during your next use.
5. Loosely replace Boiler Cap. Do not screw on tightly, as this may make it difficult to remove in the future.
6. Loosely bundle power cord and store Handheld Steam Cleaner and all accessories in a cool, dry location.

MINERAL BUILD-UP

A common maintenance need for steam appliances is the removal of build-up caused by high mineral content in many municipal water supplies. This mineral build-up may limit the effectiveness and reduce the life of your Handheld Steam Cleaner.

The best way to minimize mineral build-up is to use distilled or de-mineralized water when using your Handheld Steam Cleaner. In addition, it is recommended that the unit be cleaned at least once a month in order to remove any deposits that form. This will help to extend the life of your Handheld Steam Cleaner and keep it functioning at its maximum potential.

To remove mineral build-up:

1. Unplug power cord from electrical outlet.

NOTE: Unit should remain unplugged for duration of cleaning procedure.

2. Allow unit to cool (at least 30 minutes for complete cooling).
3. Press and hold Steam Button to release any remaining steam pressure.
4. Remove any connected accessories from unit.
5. Unscrew and remove Boiler Cap. Drain any remaining water in Boiler into a sink or tub.
6. Fill Measuring Cup with 6 oz. (180 ml.) vinegar.
7. Carefully pour vinegar into Boiler through fill hole.
8. Slowly shake or move unit around to agitate vinegar.
9. Allow vinegar to soak in Boiler for at least 40 minutes, or more if possible.
10. Drain vinegar out of Boiler into a sink or tub.
11. Thoroughly rinse Boiler with fresh water, drain and repeat until vinegar odor dissipates.
12. Loosely replace Boiler Cap and follow normal storage procedure as outlined in **Proper Storage** section above.

PROBLEM	POSSIBLE CAUSE	SOLUTION
Unit fails to heat up and begin steaming. Heating Indicator Light DOES NOT illuminate.	Unit is not plugged in.	Plug power cord into electrical outlet.
	Household circuit breaker / ground fault interrupter has tripped or blown a fuse.	Reset circuit breaker / ground fault interrupter, or replace fuse. For assistance, contact a licensed electrician.
	Unit is damaged or otherwise in need of repair.	Immediately cease usage and unplug. Contact Consumer Service for assistance (see Page 13 for details).
Unit fails to heat up and begin steaming. Heating Indicator Light DOES illuminate. NOTE: Always allow sufficient time for unit to heat up and begin producing steam.	No water in Boiler.	Refer to Filling With Water procedure on Page 9 to fill unit with water.
	Mineral build-up in unit.	Refer to Mineral Build-up section on Page 11 for cleaning procedure.
	Unit is damaged or otherwise in need of repair.	Immediately cease usage and unplug. Contact Consumer Service for assistance (see Page 13 for details).
Steam output is weak or intermittent.	Water level in Boiler is running low.	Refer to Filling With Water procedure on Page 9 to refill unit with water.
	Mineral build-up in unit.	Refer to Mineral Build-up section on Page 11 for cleaning procedure.
Boiler Cap cannot be unscrewed.	Boiler Cap has been overtightened after previous use.	Boiler Cap should always be replaced <u>loosely</u> when storing. For assistance with a Cap that has become stuck, contact Consumer Service (see Page 13 for details).
Jet Nozzle / Wide Nozzle cannot be removed.	Attempting to disconnect accessory at the wrong point.	Check to be certain that you are attempting to remove the accessory only (gray), and not the Steam Aperture as well (yellow).

CONSUMER SERVICES

For problems with your Handheld Steam Cleaner, please refer to the troubleshooting guide located on Page 12 of this manual. Additional inquiries should be directed to our consumer support services through our Web site, www.steamfast.com.

If you do not have internet access, you may also contact our Consumer Service Department by telephone, at **1-800-711-6617**.

NOTE: In order for our Consumer Service representatives to help you as quickly and efficiently as possible, please have the following information ready before calling:

- Purchase information (where and when you purchased this product)
- Copy of purchase receipt / proof of purchase
- Product serial number (located on electrical specification label on bottom of unit)
- Date code (4-digit number located on electrical specification label)

For information regarding your 1 year limited warranty, refer to Page 15 of this manual.

PRODUCT SPECIFICATIONS

MODEL	MC1226
VOLTAGE	120V
WATTAGE	900W
AMPERAGE	7.5A
WATER CAPACITY	6 OZ. (180 ML.)
HEATING TIME	3 MIN. (APPROXIMATE)
CONTINUOUS STEAM TIME	8 MIN. (APPROXIMATE)
UNIT WEIGHT	2.8 LBS. (1.3 KG.)
UNIT DIMENSIONS	14.6" (37.0 CM.) x 5.9" (15.0 CM.) x 8.4" (21.3 CM.)
POWER CORD LENGTH	12.5' (380.0 CM.)

REPLACEMENT ACCESSORIES

When ordering accessories for your Handheld Steam Cleaner, you may refer to the part numbers below. Replacement accessories may be ordered through our Web site:

www.steamfast.com

You may also contact Consumer Service directly:

consumerservice@steamfast.com or 1-800-711-6617



SHORT UTILITY BRUSH
A220-002R-



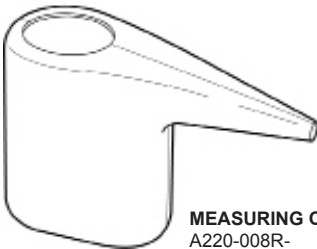
LONG UTILITY BRUSH
A220-003R-



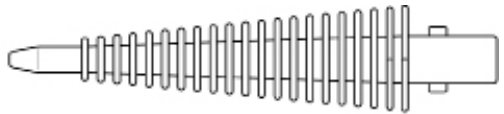
BRASS UTILITY BRUSH
A220-004R-



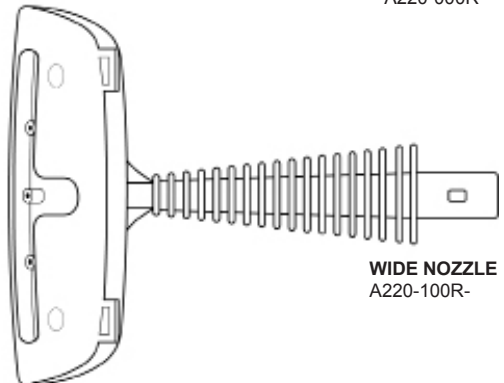
CLOTH COVER
A220-006R-



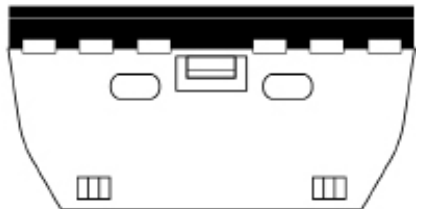
MEASURING CUP
A220-008R-



JET NOZZLE
A220-000R-



WIDE NOZZLE
A220-100R-



SQUEEGEE
A220-011R-

NOTE: Due to continuing improvements, part numbers listed above may change. For assistance ordering parts, please contact Consumer Service directly.

1 YEAR LIMITED WARRANTY

Steamfast, a division of Vornado Air LLC, ("Steamfast") warrants to the original consumer or purchaser this McCulloch Handheld Steam Cleaner SF-226 ("Product") is free from defects in material or workmanship for a period of one (1) year from the date of purchase. If any such defect is discovered within the warranty period, Vornado, at its discretion, will repair or replace the Product at no cost if the Product is returned to Steamfast postage-paid. Repairs not covered by the warranty or outside the warranty period will require a fee to cover the cost of materials, handling and shipping.

This warranty does not apply to defects resulting from abuse of the Product, modification, alteration, repair or service of the Product by anyone other than Steamfast, mishandling, improper maintenance, commercial use of the Product, damages which occur in shipment or are attributed to acts of God.

REPAIR OR REPLACEMENT AS PROVIDED UNDER THIS WARRANTY IS THE EXCLUSIVE REMEDY OF THE CONSUMER. STEAMFAST SHALL NOT BE LIABLE FOR ANY INCIDENTAL OR CONSEQUENTIAL DAMAGES FOR BREACH OF ANY EXPRESS OR IMPLIED WARRANTY ON THIS PRODUCT. EXCEPT TO THE EXTENT PROHIBITED BY APPLICABLE LAW, ANY IMPLIED WARRANTY OF MERCHANTABILITY OR FITNESS FOR A PARTICULAR PURPOSE ON THIS PRODUCT IS LIMITED IN DURATION TO THE DURATION OF THIS WARRANTY.

Some states do not allow the exclusion or limitation of incidental or consequential damages, or allow limitations on how long an implied warranty lasts, so the above limitations or exclusions may not apply to you. This warranty gives you specific legal rights, and you may have other rights that vary from state to state.

For warranty or repair service, call 1-800-711-6617 or email consumerservice@steamfast.com to obtain a Return Authorization ("RA") form. Please have or include your Product's model number, date code and serial number, as well as your name, address, city, state, zip code and phone number when contacting Steamfast for warranty service. You may be required to provide the original sales receipt. For your records: Staple or attach your original sales receipt to this Owner's Guide. Please also write your Product's serial number below (located on product specs decal).

Serial No. _____

After receiving the RA form, ship your Product to:

Steamfast
Attn: Warranty & Repair
415 East 13th
Andover, KS 67002

To assure proper handling, packages must be clearly marked with the RA number. Packages not clearly marked with the RA number may be refused at the receiving dock.

Please allow 1-2 weeks for repair and return of your Product after the Product is received.

Product registration available online at www.steamfast.com

© 2011 Vornado Air LLC • Andover, KS 67002
Specifications subject to change without notice.
Steamfast® is a trademark owned by Vornado Air LLC.
Manufactured in China.

Steamfast Consumer Service
W: www.steamfast.com | P: 1-800-711-6617 | E: consumerservice@steamfast.com



review this product online
www.steamfast.com/reviews

Steamfast

415 East 13th, Andover, KS 67002

1-800-711-6617 | www.steamfast.com | consumerservice@steamfast.com

Free Manuals Download Website

<http://myh66.com>

<http://usermanuals.us>

<http://www.somanuals.com>

<http://www.4manuals.cc>

<http://www.manual-lib.com>

<http://www.404manual.com>

<http://www.luxmanual.com>

<http://aubethermostatmanual.com>

Golf course search by state

<http://golfingnear.com>

Email search by domain

<http://emailbydomain.com>

Auto manuals search

<http://auto.somanuals.com>

TV manuals search

<http://tv.somanuals.com>