

Nikon

1 NIKKOR VR 10-100mm f/4-5.6

- En** User's Manual
- De** Benutzerhandbuch
- Fr** Manuel d'utilisation
- Es** Manual del usuario
- Nv** Bruksanvisning
- Sw** Användarhandbok
- Ki** Käyttöohje
- Ru** Руководство пользователя
- Dk** Brugervejledning
- Nl** Gebruiksaanleiding
- Pl** Manual do Utilizador
- Ma** Manuale d'uso
- Gr** Εγχειρίδιο Χρήστη
- Pi** Instrukcja obsługi
- Hu** Nézvétel és használat
- Cz** Návod k obsluze
- Sk** Uživatelská príručka
- Ua** Листок користувача
- Kk** Қолданушы нұсқаулығы

Printed in China
ZM211(K)S
SBA11K5-01

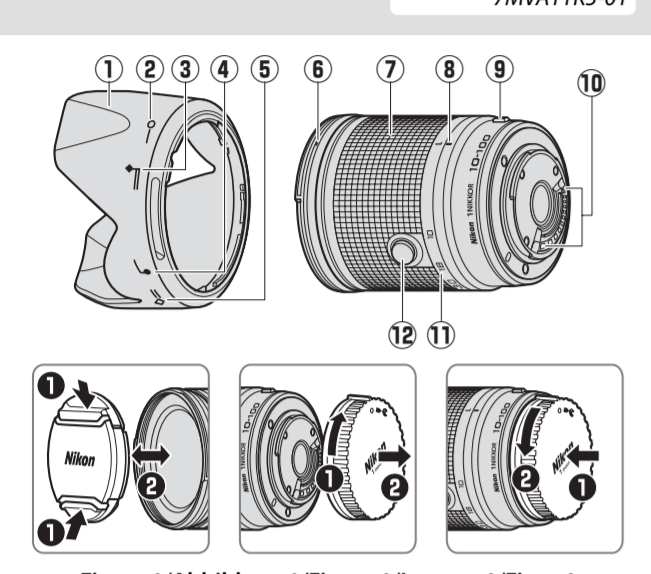


Figure 1/Abbildung 1/Figure 1/Imagen 1/Figur 1
Figura 1/kuva 1/Рисунки 1/1/Figur 1



Figure 2/Abbildung 2/Figure 2/Imagen 2/Figur 2
Figura 2/kuva 2/Рисунки 2/2/Figur 2

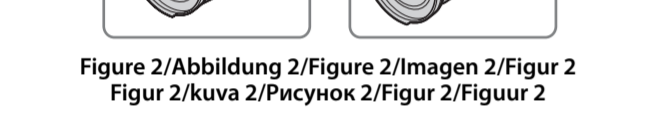


Figure 3/Abbildung 3/Figure 3/Imagen 3/Figur 3
Figura 3/kuva 3/Рисунки 3/3/Figur 3

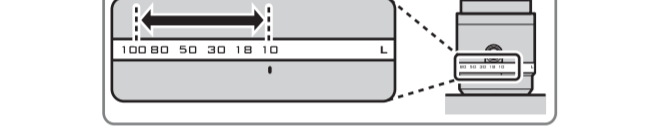


Figure 4/Abbildung 4/Figure 4/Imagen 4/Figur 4
Figura 4/kuva 4/Рисунки 4/4/Figur 4



Figure 5/Abbildung 5/Figure 5/Imagen 5/Figur 5
Figura 5/kuva 5/Рисунки 5/5/Figur 5

Using an Optional Lens Hood
Lens hoods protect the lens and block stray light that would otherwise cause flare or ghosting.

- Attaching a Lens Hood (when in use)**
Attach the hood as shown in Figure 4. Align the hook (—) with the lens hood mounting mark (☐) on the lens (Figure 4).
- When attaching or removing the hood, hold it near the (☐) symbol on its base and avoid gripping it too tightly.
- Viewing may appear off if the hood is not correctly attached.

Attaching a Lens Hood (when storing)
The hood is not stored and mounted on the lens when not in use (Figure 5).

Using the Flash
Viewing (shadows created where the lens hood or lens obscures the flash) may occur at some focus or shooting distances in photographs taken with a flash.

Other Settings
Use the camera to:
Adjust aperture
Control focus
Vibration Reduction (NORMAL/ACTIVE/OFF)
This lens supports both normal and active vibration reduction.

Lens Care
When using an optional lens hood, do not pick up or hold the lens or camera using only the hood.
Keep the CPU contacts clean.
Use a blower to remove dust and lint from the lens surfaces. To remove smudges and fingerprints, apply a small amount of ether or lens cleaner to a soft, clean cotton cloth or lens-cleaning tissue and clean from the center outward using a circular motion, taking care not to leave smears or spots that block the glass with your fingers.
This lens will not be used for an extended period, store it in a cool, dry location to prevent mold and rust. Do not store in direct sunlight or with naphtha or camphor moth balls.
Keep the lens dry. Drying the internal mechanism can cause irreparable damage.
Leaving the lens uncapped or the hood open for a long period may cause mold on the lens.
Wipe the lens with a soft, lint-free cloth.
Do not use lens caps or lens caps made from reinforced plastic.

Using an Optional Lens Hood
Lens hoods protect the lens and block stray light that would otherwise cause flare or ghosting.

- Attaching a Lens Hood (when in use)**
Attach the hood as shown in Figure 4. Align the hook (—) with the lens hood mounting mark (☐) on the lens (Figure 4).
- When attaching or removing the hood, hold it near the (☐) symbol on its base and avoid gripping it too tightly.
- Viewing may appear off if the hood is not correctly attached.

Attaching a Lens Hood (when storing)
The hood is not stored and mounted on the lens when not in use (Figure 5).

Using the Flash
Viewing (shadows created where the lens hood or lens obscures the flash) may occur at some focus or shooting distances in photographs taken with a flash.

Other Settings
Use the camera to:
Adjust aperture
Control focus
Vibration Reduction (NORMAL/ACTIVE/OFF)
This lens supports both normal and active vibration reduction.

Lens Care
When using an optional lens hood, do not pick up or hold the lens or camera using only the hood.
Keep the CPU contacts clean.
Use a blower to remove dust and lint from the lens surfaces. To remove smudges and fingerprints, apply a small amount of ether or lens cleaner to a soft, clean cotton cloth or lens-cleaning tissue and clean from the center outward using a circular motion, taking care not to leave smears or spots that block the glass with your fingers.
This lens will not be used for an extended period, store it in a cool, dry location to prevent mold and rust. Do not store in direct sunlight or with naphtha or camphor moth balls.
Keep the lens dry. Drying the internal mechanism can cause irreparable damage.
Leaving the lens uncapped or the hood open for a long period may cause mold on the lens.
Wipe the lens with a soft, lint-free cloth.
Do not use lens caps or lens caps made from reinforced plastic.

Using an Optional Lens Hood
Lens hoods protect the lens and block stray light that would otherwise cause flare or ghosting.

- Attaching a Lens Hood (when in use)**
Attach the hood as shown in Figure 4. Align the hook (—) with the lens hood mounting mark (☐) on the lens (Figure 4).
- When attaching or removing the hood, hold it near the (☐) symbol on its base and avoid gripping it too tightly.
- Viewing may appear off if the hood is not correctly attached.

Attaching a Lens Hood (when storing)
The hood is not stored and mounted on the lens when not in use (Figure 5).

Using the Flash
Viewing (shadows created where the lens hood or lens obscures the flash) may occur at some focus or shooting distances in photographs taken with a flash.

Other Settings
Use the camera to:
Adjust aperture
Control focus
Vibration Reduction (NORMAL/ACTIVE/OFF)
This lens supports both normal and active vibration reduction.

Lens Care
When using an optional lens hood, do not pick up or hold the lens or camera using only the hood.
Keep the CPU contacts clean.
Use a blower to remove dust and lint from the lens surfaces. To remove smudges and fingerprints, apply a small amount of ether or lens cleaner to a soft, clean cotton cloth or lens-cleaning tissue and clean from the center outward using a circular motion, taking care not to leave smears or spots that block the glass with your fingers.
This lens will not be used for an extended period, store it in a cool, dry location to prevent mold and rust. Do not store in direct sunlight or with naphtha or camphor moth balls.
Keep the lens dry. Drying the internal mechanism can cause irreparable damage.
Leaving the lens uncapped or the hood open for a long period may cause mold on the lens.
Wipe the lens with a soft, lint-free cloth.
Do not use lens caps or lens caps made from reinforced plastic.

Using an Optional Lens Hood
Lens hoods protect the lens and block stray light that would otherwise cause flare or ghosting.

- Attaching a Lens Hood (when in use)**
Attach the hood as shown in Figure 4. Align the hook (—) with the lens hood mounting mark (☐) on the lens (Figure 4).
- When attaching or removing the hood, hold it near the (☐) symbol on its base and avoid gripping it too tightly.
- Viewing may appear off if the hood is not correctly attached.

Attaching a Lens Hood (when storing)
The hood is not stored and mounted on the lens when not in use (Figure 5).

Using the Flash
Viewing (shadows created where the lens hood or lens obscures the flash) may occur at some focus or shooting distances in photographs taken with a flash.

Other Settings
Use the camera to:
Adjust aperture
Control focus
Vibration Reduction (NORMAL/ACTIVE/OFF)
This lens supports both normal and active vibration reduction.

Lens Care
When using an optional lens hood, do not pick up or hold the lens or camera using only the hood.
Keep the CPU contacts clean.
Use a blower to remove dust and lint from the lens surfaces. To remove smudges and fingerprints, apply a small amount of ether or lens cleaner to a soft, clean cotton cloth or lens-cleaning tissue and clean from the center outward using a circular motion, taking care not to leave smears or spots that block the glass with your fingers.
This lens will not be used for an extended period, store it in a cool, dry location to prevent mold and rust. Do not store in direct sunlight or with naphtha or camphor moth balls.
Keep the lens dry. Drying the internal mechanism can cause irreparable damage.
Leaving the lens uncapped or the hood open for a long period may cause mold on the lens.
Wipe the lens with a soft, lint-free cloth.
Do not use lens caps or lens caps made from reinforced plastic.

Compatibles Zubehör
Bajonet-Gegenschraubfl. HB-N100 / 55-mm-Schraubfl. / Objektivbeutel CL-N101

Technische Daten

• Objektivtyp: M1-Bajonetverschluss	• Blendenelemente: 7 (abgerundet)
• Brennweite: 10–100 mm	• Blendeneinstellung: vollautomatisch
• Lichtstärke: f/4–5,6	• Blendenschleife:
• Optischer Aufbau: 10-100 mm in 12 Gruppen (einschließlich 3 aspherischer Linsen, 2 ED-Elemente)	• 10 mm Brennweite: 4 bis 16
• Bildaufbau: B-Weg-Hi-Linse (Hi)	• 100 mm Brennweite: 5 bis 16
• Bildstabilisator: Bewegliche Linsengruppe mit Voice Coil-Motoren (VCMs)	• Filtergröße: 55 mm (φ) (P/75 mm)
• Haltekontakt: M1	• Brennweiteverhältnis: 10:1
• Haltekontakt: M2	• Durchmesser x Länge ab Bajonettaufgabe bei eingelegtem Objektiv
• Haltekontakt: M3	• Gewicht: ca. 298 g

Änderungen und Irrtümer vorbehalten.

Français
Nous vous remercions d'avoir acheté un objectif 1 NIKKOR VR 10-100mm f/4-5.6. Avant d'utiliser ce produit, veuillez lire attentivement la fois ces instructions et le manuel d'utilisateur qui accompagne votre appareil.

Pour votre sécurité

ATTENTION
■ **Ne pas démonteur.** Toucher les parties internes de l'appareil photo ou de l'objectif peut provoquer des blessures. En cas de dysfonctionnement, le produit devra être réparé par un technicien qualifié uniquement. Si le produit tombe à cause d'une chute ou de tout autre accident, restez à l'écart de l'appareil photo ou de l'objectif et vérifiez l'état de votre produit et de votre appareil photo.

■ **Ne pas utiliser de produits inflammables.** L'utilisation d'équipement électronique en présence d'un gaz inflammable peut provoquer une explosion ou un incendie.

■ **Ne pas regarder le soleil avec l'objectif ou l'appareil photo.** Regarder le soleil ou une autre source lumineuse intense avec l'objectif ou le viseur peut provoquer des troubles de la vision irréversibles.

■ **Tenir éloigné des enfants.** Le non-respect de cette précaution peut provoquer des blessures.

■ **Ne pas laisser l'objectif à la fois exposé à des températures élevées, comme un volateur en plein soleil, et à la fois exposé à des températures basses, comme un volateur en plein soleil.**

Deutsch
Vielen Dank, dass Sie sich für ein 1 NIKKOR VR 10-100 mm f/4-5.6 entschieden haben. Bitte lesen Sie vor der Verwendung dieses Produkts sowohl diese Anleitung als auch das Handbuch der Kamera sorgfältig.

SICHERHEITSANWEISUNGEN
■ **Nehmen Sie das Objektiv nicht auseinander.** Berühren Sie niemals Teile im Gehäuseinneren. Sie könnten sich verletzen. Im Falle einer Fehlfunktion sollte das Produkt ausschließlich von einem fachkundigen Person repariert werden. Falls die Gehäuse der Kamera anhand eines anderen Zubehörs (z. B. des Blitzes) verwendet werden, können das Objektiv oder die Kamera beschädigt werden.

■ **Benutzen Sie die Kamera nicht in der Nähe von brennbarem Gas.** Der Betrieb von Elektrogeräten in der Nähe von brennbarem Gas können zu einer Explosion oder zu einem Brand führen.

■ **Benutzen Sie die Kamera niemals direkt auf die Sonne, wenn Sie durch den Sucher bzw. durch das Objektiv schauen.** Schauen Sie niemals durch den Sucher oder das Objektiv direkt in die Sonne oder eine andere hell leuchtende Quelle. Dies könnte Licht in Ihre Augen einschleusen und zu einer dauerhaften Sehbehinderung führen.

Compats Accessoires
Bajonet HD HB-N106 / 55 mm screw-on filters / Semi-sof Case CL-N101

Specifications

• Type: 1 mount lens	• Diaphragm blades: 7 (rounded diaphragm opening)
• Maximum aperture: f/4–5.6	• Lens construction: Fully automatic
• Lens construction: 19 elements in 12 groups (including 3 aspherical lens elements, 2 ED lens elements, and Hi lens elements)	• 10 mm focal length: f/4 to f/16
• Angle of view: 77–9° 10'	• Filter size: 55 mm (φ) (P/75 mm)
• Vibration reduction: Lens shift using voice coil motors (VCMs)	• Dimensions: Approx. 60.5 mm diameter x 70.5 mm (distance from camera lens mount to rear element)
• Weight: Approx. 298 g (0.1 lb)	• Weight: Approx. 298 g (0.1 lb)

Änderungen und Irrtümer vorbehalten.

Compats Accessoires
Bajonet HD HB-N106 / 55 mm screw-on filters / Semi-sof Case CL-N101

Specifications

• Type: 1 mount lens	• Diaphragm blades: 7 (rounded diaphragm opening)
• Maximum aperture: f/4–5.6	• Lens construction: Fully automatic
• Lens construction: 19 elements in 12 groups (including 3 aspherical lens elements, 2 ED lens elements, and Hi lens elements)	• 10 mm focal length: f/4 to f/16
• Angle of view: 77–9° 10'	• Filter size: 55 mm (φ) (P/75 mm)
• Vibration reduction: Lens shift using voice coil motors (VCMs)	• Dimensions: Approx. 60.5 mm diameter x 70.5 mm (distance from camera lens mount to rear element)
• Weight: Approx. 298 g (0.1 lb)	• Weight: Approx. 298 g (0.1 lb)

Änderungen und Irrtümer vorbehalten.

Deutsch
Vielen Dank, dass Sie sich für ein 1 NIKKOR VR 10-100 mm f/4-5.6 entschieden haben. Bitte lesen Sie vor der Verwendung dieses Produkts sowohl diese Anleitung als auch das Handbuch der Kamera sorgfältig.

SICHERHEITSANWEISUNGEN
■ **Nehmen Sie das Objektiv nicht auseinander.** Berühren Sie niemals Teile im Gehäuseinneren. Sie könnten sich verletzen. Im Falle einer Fehlfunktion sollte das Produkt ausschließlich von einem fachkundigen Person repariert werden. Falls die Gehäuse der Kamera anhand eines anderen Zubehörs (z. B. des Blitzes) verwendet werden, können das Objektiv oder die Kamera beschädigt werden.

■ **Benutzen Sie die Kamera nicht in der Nähe von brennbarem Gas.** Der Betrieb von Elektrogeräten in der Nähe von brennbarem Gas können zu einer Explosion oder zu einem Brand führen.

■ **Benutzen Sie die Kamera niemals direkt auf die Sonne, wenn Sie durch den Sucher bzw. durch das Objektiv schauen.** Schauen Sie niemals durch den Sucher oder das Objektiv direkt in die Sonne oder eine andere hell leuchtende Quelle. Dies könnte Licht in Ihre Augen einschleusen und zu einer dauerhaften Sehbehinderung führen.

Compats Accessoires
Bajonet HD HB-N106 / 55 mm screw-on filters / Semi-sof Case CL-N101

Specifications

• Type: 1 mount lens	• Diaphragm blades: 7 (rounded diaphragm opening)
• Maximum aperture: f/4–5.6	• Lens construction: Fully automatic
• Lens construction: 19 elements in 12 groups (including 3 aspherical lens elements, 2 ED lens elements, and Hi lens elements)	• 10 mm focal length: f/4 to f/16
• Angle of view: 77–9° 10'	• Filter size: 55 mm (φ) (P/75 mm)
• Vibration reduction: Lens shift using voice coil motors (VCMs)	• Dimensions: Approx. 60.5 mm diameter x 70.5 mm (distance from camera lens mount to rear element)
• Weight: Approx. 298 g (0.1 lb)	• Weight: Approx. 298 g (0.1 lb)

Änderungen und Irrtümer vorbehalten.

Compats Accessoires
Bajonet HD HB-N106 / 55 mm screw-on filters / Semi-sof Case CL-N101

Specifications

• Type: 1 mount lens	• Diaphragm blades: 7 (rounded diaphragm opening)
• Maximum aperture: f/4–5.6	• Lens construction: Fully automatic
• Lens construction: 19 elements in 12 groups (including 3 aspherical lens elements, 2 ED lens elements, and Hi lens elements)	• 10 mm focal length: f/4 to f/16
• Angle of view: 77–9° 10'	• Filter size: 55 mm (φ) (P/75 mm)
• Vibration reduction: Lens shift using voice coil motors (VCMs)	• Dimensions: Approx. 60.5 mm diameter x 70.5 mm (distance from camera lens mount to rear element)
• Weight: Approx. 298 g (0.1 lb)	• Weight: Approx. 298 g (0.1 lb)

Änderungen und Irrtümer vorbehalten.

Compats Accessoires
Bajonet HD HB-N106 / 55 mm screw-on filters / Semi-sof Case CL-N101

Specifications

• Type: 1 mount lens	• Diaphragm blades: 7 (rounded diaphragm opening)
• Maximum aperture: f/4–5.6	• Lens construction: Fully automatic
• Lens construction: 19 elements in 12 groups (including 3 aspherical lens elements, 2 ED lens elements, and Hi lens elements)	• 10 mm focal length: f/4 to f/16
• Angle of view: 77–9° 10'	• Filter size: 55 mm (φ) (P/75 mm)
• Vibration reduction: Lens shift using voice coil motors (VCMs)	• Dimensions: Approx. 60.5 mm diameter x 70.5 mm (distance from camera lens mount to rear element)
• Weight: Approx. 298 g (0.1 lb)	• Weight: Approx. 298 g (0.1 lb)

Änderungen und Irrtümer vorbehalten.

Compats Accessoires
Bajonet HD HB-N106 / 55 mm screw-on filters / Semi-sof Case CL-N101

Specifications

• Type: 1 mount lens	• Diaphragm blades: 7 (rounded diaphragm opening)
• Maximum aperture: f/4–5.6	• Lens construction: Fully automatic
• Lens construction: 19 elements in 12 groups (including 3 aspherical lens elements, 2 ED lens elements, and Hi lens elements)	• 10 mm focal length: f/4 to f/16
• Angle of view: 77–9° 10'	• Filter size: 55 mm (φ) (P/75 mm)
• Vibration reduction: Lens shift using voice coil motors (VCMs)	• Dimensions: Approx. 60.5 mm diameter x 70.5 mm (distance from camera lens mount to rear element)
• Weight: Approx. 298 g (0.1 lb)	• Weight: Approx. 298 g (0.1 lb)

Änderungen und Irrtümer vorbehalten.

Compats Accessoires
Bajonet HD HB-N106 / 55 mm screw-on filters / Semi-sof Case CL-N101

Specifications

• Type: 1 mount lens	• Diaphragm blades: 7 (rounded diaphragm opening)
• Maximum aperture: f/4–5.6	• Lens construction: Fully automatic
• Lens construction: 19 elements in 12 groups (including 3 aspherical lens elements, 2 ED lens elements, and Hi lens elements)	• 10 mm focal length: f/4 to f/16
• Angle of view: 77–9° 10'	• Filter size: 55 mm (φ) (P/75 mm)
• Vibration reduction: Lens shift using voice coil motors (VCMs)	• Dimensions: Approx. 60.5 mm diameter x 70.5 mm (distance from camera lens mount to rear element)
• Weight: Approx. 298 g (0.1 lb)	• Weight: Approx. 298 g (0.1 lb)

Änderungen und Irrtümer vorbehalten.

Compats Accessoires
Bajonet-Gegenschraubfl. HB-N100 / 55-mm-Schraubfl. / Objektivbeutel CL-N101

Technische Daten

• Objektivtyp: M1-Bajonetverschluss	• Blendenelemente: 7 (abgerundet)
• Brennweite: 10–100 mm	• Blendeneinstellung: vollautomatisch
• Lichtstärke: f/4–5,6	• Blendenschleife:
• Optischer Aufbau: 10-100 mm in 12 Gruppen (einschließlich 3 aspherischer Linsen, 2 ED-Elemente)	• 10 mm Brennweite: 4 bis 16
• Bildaufbau: B-Weg-Hi-Linse (Hi)	• 100 mm Brennweite: 5 bis 16
• Bildstabilisator: Bewegliche Linsengruppe mit Voice Coil-Motoren (VCMs)	• Filtergröße: 55 mm (φ) (P/75 mm)
• Haltekontakt: M1	• Brennweiteverhältnis: 10:1
• Haltekontakt: M2	• Durchmesser x Länge ab Bajonettaufgabe bei eingelegtem Objektiv
• Haltekontakt: M3	• Gewicht: ca. 298 g

Änderungen und Irrtümer vorbehalten.

Compats Accessoires
Bajonet HD HB-N106 / 55 mm screw-on filters / Semi-sof Case CL-N101

Specifications

• Type: 1 mount lens	• Diaphragm blades: 7 (rounded diaphragm opening)
• Maximum aperture: f/4–5.6	• Lens construction: Fully automatic
• Lens construction: 19 elements in 12 groups (including 3 aspherical lens elements, 2 ED lens elements, and Hi lens elements)	• 10 mm focal length: f/4 to f/16
• Angle of view: 77–9° 10'	• Filter size: 55 mm (φ) (P/75 mm)
• Vibration reduction: Lens shift using voice coil motors (VCMs)	• Dimensions: Approx. 60.5 mm diameter x 70.5 mm (distance from camera lens mount to rear element)
• Weight: Approx. 298 g (0.1 lb)	• Weight: Approx. 298 g (0.1 lb)

Änderungen und Irrtümer vorbehalten.

Compats Accessoires
Bajonet HD HB-N106 / 55 mm screw-on filters / Semi-sof Case CL-N101

Specifications

• Type: 1 mount lens	• Diaphragm blades: 7 (rounded diaphragm opening)
• Maximum aperture: f/4–5.6	• Lens construction: Fully automatic
• Lens construction: 19 elements in 12 groups (including 3 aspherical lens elements, 2 ED lens elements, and Hi lens elements)	• 10 mm focal length: f/4 to f/16
• Angle of view: 77–9° 10'	• Filter size: 55 mm (φ) (P/75 mm)
• Vibration reduction: Lens shift using voice coil motors (VCMs)	• Dimensions: Approx. 60.5 mm diameter x 70.5 mm (distance from camera lens mount to rear element)
• Weight: Approx. 298 g (0.1 lb)	• Weight: Approx. 298 g (0.1 lb)

Änderungen und Irrtümer vorbehalten.

Compats Accessoires
Bajonet HD HB-N106 / 55 mm screw-on filters / Semi-sof Case CL-N101

Specifications

• Type: 1 mount lens	• Diaphragm blades: 7 (rounded diaphragm opening)
• Maximum aperture: f/4–5.6	• Lens construction: Fully automatic
• Lens construction: 19 elements in 12 groups (including 3 aspherical lens elements, 2 ED lens elements, and Hi lens elements)	• 10 mm focal length: f/4 to f/16
• Angle of view: 77–9° 10'	• Filter size: 55 mm (φ) (P/75 mm)
• Vibration reduction: Lens shift using voice coil motors (VCMs)	• Dimensions: Approx. 60.5 mm diameter x 70.5 mm (distance from camera lens mount to rear element)
• Weight: Approx. 298 g (0.1 lb)	• Weight: Approx. 298 g (0.1 lb)

Änderungen und Irrtümer vorbehalten.

Compats Accessoires
Bajonet HD HB-N106 / 55 mm screw-on filters / Semi-sof Case CL-N101

Specifications

• Type: 1 mount lens	• Diaphragm blades: 7 (rounded diaphragm opening)
• Maximum aperture: f/4–5.6	• Lens construction: Fully automatic
• Lens construction: 19 elements in 12 groups (including 3 aspherical lens elements, 2 ED lens elements, and Hi lens elements)	• 10 mm focal length: f/4 to f/16
• Angle of view: 77–9° 10'	• Filter size: 55 mm (φ) (P/75 mm)
• Vibration reduction: Lens shift using voice coil motors (VCMs)	• Dimensions: Approx. 60.5 mm diameter x 70.5 mm (distance from camera lens mount to rear element)
• Weight: Approx. 298 g (0.1 lb)	• Weight: Approx. 298 g (0.1 lb)

Änderungen und Irrtümer vorbehalten.

Compats Accessoires
Bajonet HD HB-N106 / 55 mm screw-on filters / Semi-sof Case CL-N101

Specifications

• Type: 1 mount lens	• Diaphragm blades: 7 (rounded diaphragm opening)
• Maximum aperture: f/4–5.6	• Lens construction: Fully automatic
• Lens construction: 19 elements in 12 groups (including 3 aspherical lens elements, 2 ED lens elements, and Hi lens elements)	• 10 mm focal length: f/4 to f/16
• Angle of view: 77–9° 10'	• Filter size: 55 mm (φ) (P/75 mm)
• Vibration reduction: Lens shift using voice coil motors (VCMs)	• Dimensions: Approx. 60.5 mm diameter x 70.5 mm (distance from camera lens mount to rear element)
• Weight: Approx. 298 g (0.1 lb)	• Weight: Approx. 298 g (0.1 lb)

Änderungen und Irrtümer vorbehalten.

Compats Accessoires
Bajonet HD HB-N106 / 55 mm screw-on filters / Semi-sof Case CL-N101

Specifications

• Type: 1 mount lens	• Diaphragm blades: 7 (rounded diaphragm opening)
• Maximum aperture: f/4–5.6	• Lens construction: Fully automatic
• Lens construction: 19 elements in 12 groups (including 3 aspherical lens elements, 2 ED lens elements, and Hi lens elements)	• 10 mm focal length: f/4 to f/16
• Angle of view: 77–9° 10'	• Filter size: 55 mm (φ) (P/75 mm)
• Vibration reduction: Lens shift using voice coil motors (VCMs)	• Dimensions: Approx. 60.5 mm diameter x 70.5 mm (distance from camera lens mount to rear element)
• Weight: Approx. 298 g (0.1 lb)	• Weight: Approx. 298 g (0.1 lb)

Änderungen und Irrtümer vorbehalten.

Compats Accessoires
Bajonet HD HB-N106 / 55 mm screw-on filters / Semi-sof Case CL-N101

Specifications

• Type: 1 mount lens	• Diaphragm blades: 7 (rounded diaphragm opening)
• Maximum aperture: f/4–5.6	• Lens construction: Fully automatic
• Lens construction: 19 elements in 12 groups (including 3 aspherical lens elements, 2 ED lens elements, and Hi lens elements)	• 10 mm focal length: f/4 to f/16
• Angle of view: 77–9° 10'	• Filter size: 55 mm (φ) (P/75 mm)
• Vibration reduction: Lens shift using voice coil motors (VCMs)	• Dimensions: Approx. 60.5 mm diameter x 70.5 mm (distance from camera lens mount to rear element)
• Weight: Approx. 298 g (0.1 lb)	• Weight: Approx. 298 g (0.1 lb)

Änderungen und Irrtümer vorbehalten.

Compats Accessoires
Bajonet HD HB-N106 / 55 mm screw-on filters / Semi-sof Case CL-N101

Specifications

• Type: 1 mount lens	• Diaphragm blades: 7 (rounded diaphragm opening)
• Maximum aperture: f/4–5.6	• Lens construction: Fully automatic
• Lens construction: 19 elements in 12 groups (including 3 aspherical lens elements, 2 ED lens elements, and Hi lens elements)	• 10 mm focal length: f/4 to f/16
• Angle of view: 77–9° 10'	• Filter size: 55 mm (φ) (P/75 mm)
• Vibration reduction: Lens shift using voice coil motors (VCMs)	• Dimensions: Approx. 60.5 mm diameter x 70.5 mm (distance from camera lens mount to rear element)
• Weight: Approx. 298 g (0.1 lb)	• Weight: Approx. 298 g (0.1 lb)

Änderungen und Irrtümer vorbehalten.

Andra inställningar
Bruka kameratillägget till inställningsmenyerna. Se bruksanvisningen för ytterligare information.
Justera bildstörningen.
Fokusera.
Ställa in bildstabilisatorn (NORMAL/ACTIVE/OFF).
Detta objektivet stöder både normal och aktiv bildstabilisering.

Objektivfel
När du brukar en solbländare (ekstrastrykt), må du ikke løfte eller holde objektivet eller kameraet med solen i retning av objektivet. Ellers kan det oppstå synlige problemer.
Hold CPU-kontaktene rene.
Bruk en bløtdahter til å fjerne støv og rusk fra objektivoverflaten. For å fjerne fingeravtrykk eller andre flekker, bruk der det er aktuelt et objektivrensingsmediddel på et mykt, rent bomullstykke eller fuktig rengjøringsvæske. Ikke bruk et hardt eller skarpt objektivrengingsmiddel.
Mikslutt eller objektivrenseapparat og rengjør fra midten og utover i sirkulære bevegelser.
Pass på ikke å smøre utover eller berøre glasset med fingrene dine.
Du må aldri bruke originale batterier med manglende eller berentet for å ladinge objektivet.
Sønderblender eller MC-filter kan skade eller forårsake skade på objektivet.
Sett på låst- og badeklemme når objektivet ikke skal brukes.
Demper objektivet ikke skal brukes i en lengre periode, må du oppbevare det på et kjølig, tørt sted for å forhindre mug og rust. Må ikke oppbevares i direkte sollys eller sammen med metall eller nafta eller karber.
Hold objektivet rent. Rusk på innvendige mekanismer kan forårsake skade som ikke kan repareres.
Omsorg om etere objektivet på ekstremt varme steder, kan dette skade eller forverre det.
Mens du bruker objektivet, må du ikke trykke på knappen for innrettabar objektivet når du er objektivet.

Medfølgende tilbehør
Sønderblender HB-N106 med bajonettett / 55 mm filter til å skru på / Halvmøys veske CL-N101

Kompatibelt tilbehør
Sønderblender HB-N106 med bajonettett / 55 mm filter til å skru på / Halvmøys veske CL-N101

Spesifikasjoner

• Objektivtype: M1-fatning	• Blendeelementer: 7 (avrundet blendepanning)
• Brennvidde: 10–100 mm	• Blendeeinstilling: fullautomatisk
• Lykstyrke: f/4–5,6	• Blendesleife:
• Optisk oppbygg: 19 elementer i 12 grupper (inkludert 3 asferiske linseelement, 2 ED-linseelement og Hi-linseelement)	• 10 mm Brennvidde: f/4 til f/16
• Bildvinkel: 77–9° 10'	• 100 mm Brennvidde: f/5,6 til f/16
• Bildstabilisator: Objektivforskyvning ved bruk av stemmingsmotorer (VCM)	• Filterstørrelse: 55 mm (φ) (P/75 mm)
• Haltekontakt: M1	• Vekt: Ca. 298 g
• Haltekontakt: M2	• Vikt: Ca. 298 g
• Haltekontakt: M3	• Vikt: Ca. 298 g

Änderungen und Irrtümer vorbehalten.

Medfølgende tilbehør
Sønderblender HB-N106 med bajonettett / 55 mm filter til å skru på / Halvmøys veske CL-N101

Kompatibelt tilbehør
Sønderblender HB-N106 med bajonettett / 55 mm filter til å skru på / Halvmøys veske CL-N101

Spesifikasjoner

• Objektivtype: M1-fatning	• Blendeelementer: 7 (avrundet blendepanning)
• Brennvidde: 10–100 mm	• Blendeeinstilling: fullautomatisk
• Lykstyrke: f/4–5,6	• Blendesleife:
• Optisk oppbygg: 19 elementer i 12 grupper (inkludert 3 asferiske linseelement, 2 ED-linseelement og Hi-linseelement)	• 10 mm Brennvidde: f/4 til f/16
• Bildvinkel: 77–9° 10'	• 100 mm Brennvidde: f/5,6 til f/16
• Bildstabilisator: Objektivforskyvning ved bruk av stemmingsmotorer (VCM)	• Filterstørrelse: 55 mm (φ) (P/75 mm)

Free Manuals Download Website

<http://myh66.com>

<http://usermanuals.us>

<http://www.somanuals.com>

<http://www.4manuals.cc>

<http://www.manual-lib.com>

<http://www.404manual.com>

<http://www.luxmanual.com>

<http://aubethermostatmanual.com>

Golf course search by state

<http://golfingnear.com>

Email search by domain

<http://emailbydomain.com>

Auto manuals search

<http://auto.somanuals.com>

TV manuals search

<http://tv.somanuals.com>