

BRUSH BLAZER

OWNERS MANUAL



MODEL TBB-3000

PART# Q0373



PECO BRUSH BLAZER

TABLE OF CONTENTS

SECTION	PAGE	SECTION	PAGE
Safety Alert Symbols	2	Deck And Drive Belt	
General Safety Rules	3	Removal And Replacement	19-20
Safety Decals	4	Track Adjustment/Removal/Replacement	21
Peco Limited Warranty	5	Charging The Hydraulic System	22-23
Features And Controls	6-9	Wiring Diagram	24-25
Operation	10-13	Blade Shaft Assembly	26
Pump Adjustment	14	Label Replacement Part Numbers	27
Pump Belt Adjustment	15	Regular Maintenance	28
Drive Belt Idler Adjustment	16	Scheduled Replacement Parts List	29
Drive Belt Adjustment	17	Hydraulic Oil Specifications	29
Deck Belt Adjustment	18	Exploded Views And Parts Lists	30-44
Mower Deck Pulley Alignment	18		

SAFETY ALERT SYMBOLS

Safety Alert Symbol



This Safety Alert Symbol means: **“ATTENTION! BECOME ALERT! YOUR SAFETY IS INVOLVED!”**

This symbol is used to call attention to safety precautions that should be followed by the operator to avoid accidents. When you see this symbol, carefully read the message that follows and heed its advice. Failure to comply with safety precautions could result in death or serious bodily injury.

Safety Signs

The signal words **DANGER**, **WARNING**, and **CAUTION** are used on the equipment safety signs. These words are intended to alert the viewer to the existence and the degree of hazard seriousness.



*This signal word indicates a potentially hazardous situation which, if not avoided, will result in death or serious injury.



*This signal word indicates a potentially hazardous situation which, if not avoided, could result in death or serious injury.
*It may also be used to alert against unsafe practices.



*This signal word indicates a potentially hazardous situation exist which, if not avoided, will result in minor or moderate injury.
*It may also be used to alert against unsafe practices.

GENERAL SAFETY RULES



READ THIS OWNERS MANUAL CAREFULLY BEFORE OPERATING THE PECO BRUSH BLAZER. DO NOT ALLOW ANYONE WHO IS NOT FAMILIAR WITH THE SAFETY AND OPERATING INSTRUCTIONS TO OPERATE THE PECO BRUSH BLAZER. FAILURE TO DO SO MAY RESULT IN SERIOUS INJURY OR DEATH

- Read all safety and operating instructions before using the machine.
- Do not operate the machine near people or animals.
- Remove any objects that could be thrown by the rotating blades.
- Always wear eye and ear protection when operating the machine.
- Keep body parts away from rotating belts and blades.
- Use caution when operating the machine on slopes. Keep a firm grip on the handle bars.
- Keep combustibles away from the engine when it is hot.
- Disengage the blades when crossing roads, sidewalks or gravel drives.
- Use extra caution when operating in slippery or wet conditions.
- Do not cut while in reverse or moving backwards. Use extra caution while moving backwards.
- Do not remove or alter standard parts on the machine. Doing so may result in serious injury and will void the warranty.
- Do not operate the machine when excessive noise or vibration is present. Immediately shut off the engine, disconnect the spark plug wire and allow all moving parts to come to a complete stop. Inspect for damage, then clean or repair damaged parts if necessary.
- Do not operate the machine while under the influence of alcohol or medication.
- Do not operate the machine in poor light conditions. Doing so may result in serious injury.
- Do not move up and down the face of slopes, always move across the face.
- Watch for holes, ruts and bumps. Tall grass can hide obstacles.
- Do not operate the machine on slopes greater than 20 degrees.
- Do not operate the machine on slopes that are wet or excessively steep.
- Keep children and pets out of the operating area, and under close adult supervision.
- Stop the machine immediately if children or pets enter the work area.
- Never allow children to operate the machine.
- Use extra caution when approaching shrubs, trees or other objects that may obscure your vision.
- Never run the engine in an enclosed area without proper ventilation. The exhaust contains carbon monoxide, which is a colorless, odorless, deadly poisonous gas.
- Allow the engine to cool down before filling the gas tank.
- Never make adjustments or repairs while the engine is running.
- Do not change the engine governor speed. Doing so may result in injury and will void the warranty.
- No list of warnings and cautions can be all-inclusive. If situations occur that are not covered by this manual, the operator must apply common sense and operate this machine in a safe manner.
- WARNING TO PURCHASERS OF INTERNAL COMBUSTION ENGINE EQUIPPED MACHINERY OR DEVICES IN THE STATE OF CALIFORNIA:** The Brush Blazer does not have a spark arrester muffler. If this machine is to be used on any forest covered or brush covered land in the state of California, the law requires that a spark arrester must be attached to the exhaust system and must comply with Section 4442 of the California Public Resources Code.

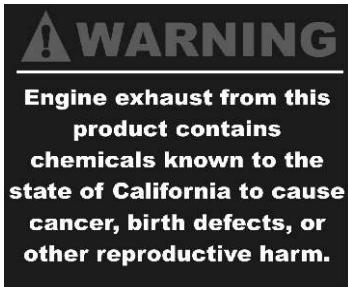
SAFETY DECALS



This label reminds you that flying debris is projected in the direction of these arrows. Anything or anyone within this field is in danger of being hit by flying debris.



This label lists safe operation procedures.



This label warns you of the dangers of carbon monoxide.



Do not operate the Brush Blazer without the hoods in place. Keep hands and other body parts away from rotating belts.



Keep hands and feet clear of the deck edge. Never reach under the mower deck until the blades have come to a complete stop.



This label reminds you that other people are in danger of being hurt by the blades and flying debris.

PECO LIMITED WARRANTY FOR NEW PRODUCTS

A. WHAT IS WARRANTED?

PECO extends the following warranties to the original purchaser of each new PECO consumer product subject to the following limitations:

- 1. PRODUCT WARRANTY:** Any part of any consumer product, which is defective in material or workmanship as delivered to the purchaser will be repaired or replaced, as PECO elects, without charge for parts or labor, if the defect appears within 90 days from the date of delivery of the product to the original purchaser. **ALL DEFECTIVE PARTS MUST BE RETURNED TO PECO FOR INSPECTION TO DETERMINE VALIDITY OF WARRANTY CLAIMS.** Freight and mailing will be borne by the customer.
- 2. PARTS REPLACED DURING WARRANTY:** Any new PECO part which is furnished in performance of this warranty and is defective in material or workmanship as delivered to the purchaser will be repaired or replaced, as PECO elects, without charge if the defect appears within 90 days from the date of installation of such part or before the expiration of the original warranty period, whichever is later.

B. SECURING WARRANTY ADJUSTMENTS.

Call PECO for Return Authorization. Damaged or broken parts, other than engines or batteries, must be returned to PECO Inc., 100 Airport Road, Arden, NC 28704 before any warranty adjustment can be authorized. At the time of requesting warranty adjustment, the purchaser must present evidence for date of delivery of the product. The purchaser shall pay any charge for the product to and from Arden, NC.

C. ITEMS NOT COVERED BY PECO WARRANTY.

Engines and batteries attached to PECO products are covered under a separate warranty by the respective manufacturer.

D. UNAPPROVED ALTERATION OR MODIFICATION.

All obligations of PECO Inc., under this warranty, shall be terminated if products are altered or modified in ways not approved by PECO Inc..

E. ACCIDENTS AND NORMAL MAINTENANCE.

The warranty covers only defective material and workmanship. It does not cover depreciation or damage caused by normal wear, accident, improper use or abuse of products. The cost of normal maintenance and normal replacement of service items such as belts, cutting blades, hoses, etc., which are not defective shall be paid for by the purchaser.

F. NO REPRESENTATIONS ADDITIONAL WARRANTIES, DISCLAIMER.

Neither PECO Inc. nor any company affiliated with it makes any warranties, representations or promises as to the quality of performance of its products other than those set forth herein. Except as described above, PECO Inc. makes no other warranties **AND SPECIFICALLY DISCLAIMS ANY AND ALL IMPLIED WARRANTIES OF FITNESS AND MERCHANTABILITY.**

G. ANY MACHINE USED FOR RENTAL PURPOSES ARE GUARANTEED FOR 45 DAYS FROM DATE OF ORIGINAL SALE ONLY.

H. REMEDIED EXCLUSIVE.

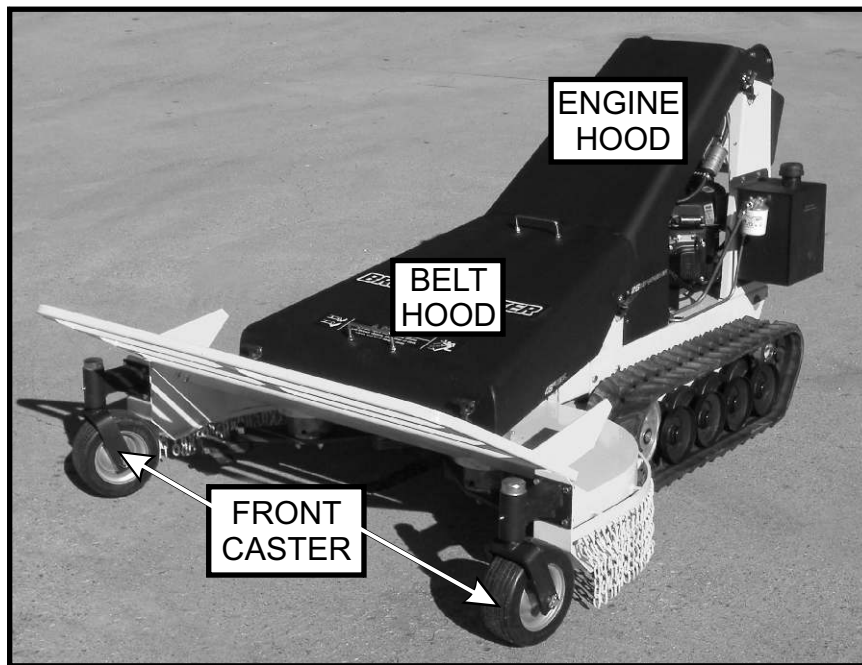
The only remedies the purchaser has in connection with the breach or performance of any warranty on PECO Inc. consumer products are set forth above. In no event will PECO be liable for special incidental or consequential damages.

1. NO SERVICE CENTER WARRANTY.

The selling Service Center makes no warranty on his own on any item warranted by PECO Inc. unless he delivers to purchaser a separate written warranty certificate specifically warranting the item. The dealer has no authority to make any representation or promise on behalf of PECO or to modify the terms of this warranty in any way.

FEATURES AND CONTROLS

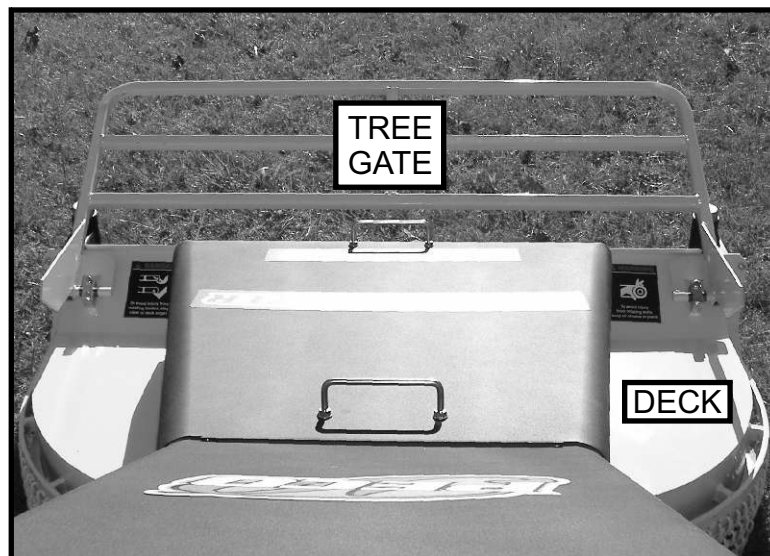
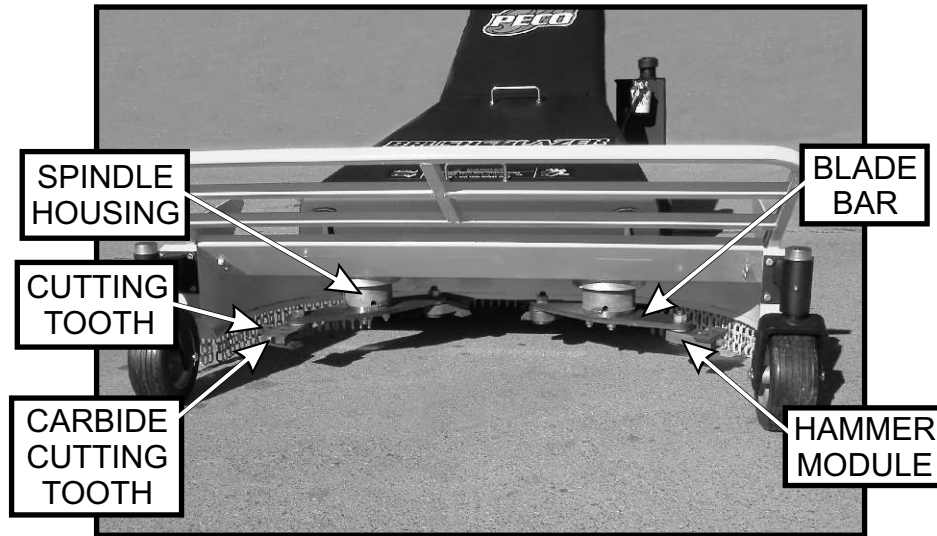
THE BRUSH BLAZER



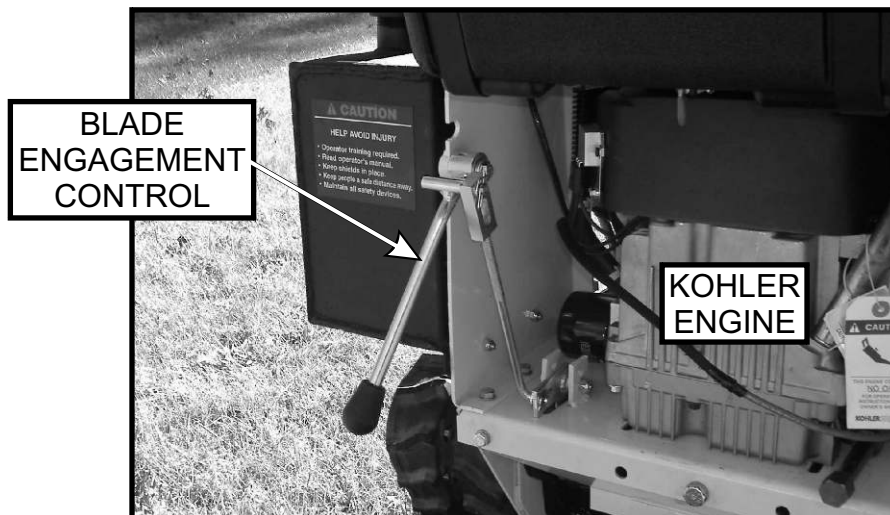
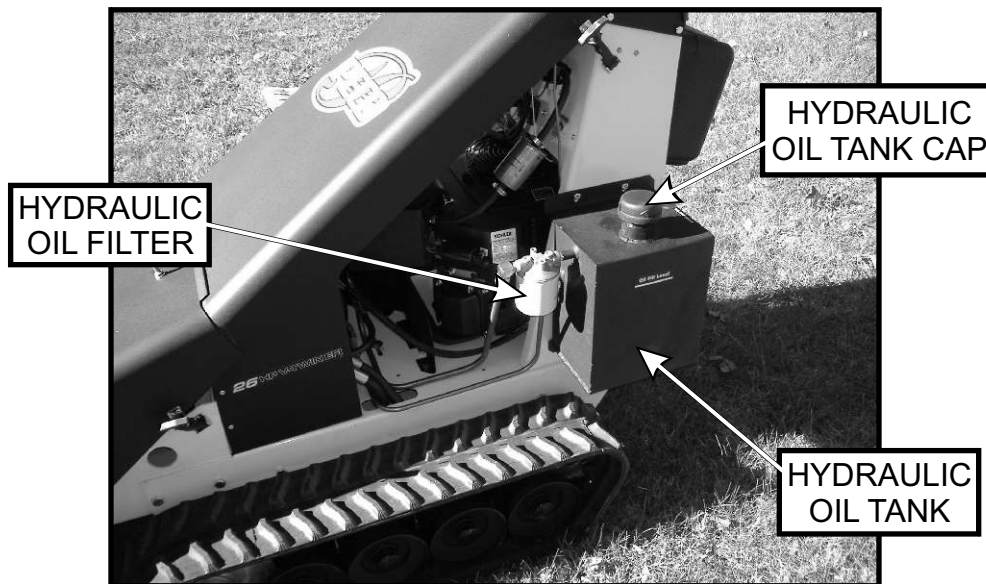
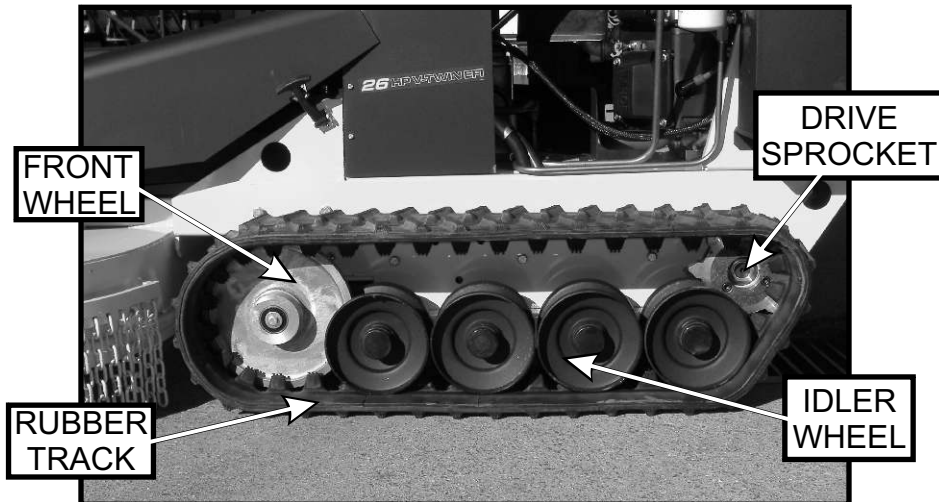
INSTRUMENT CLUSTER



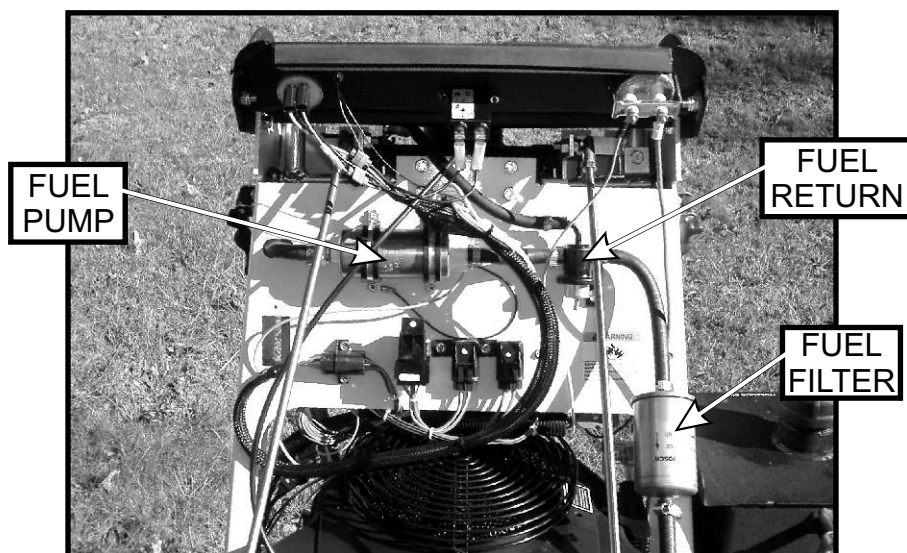
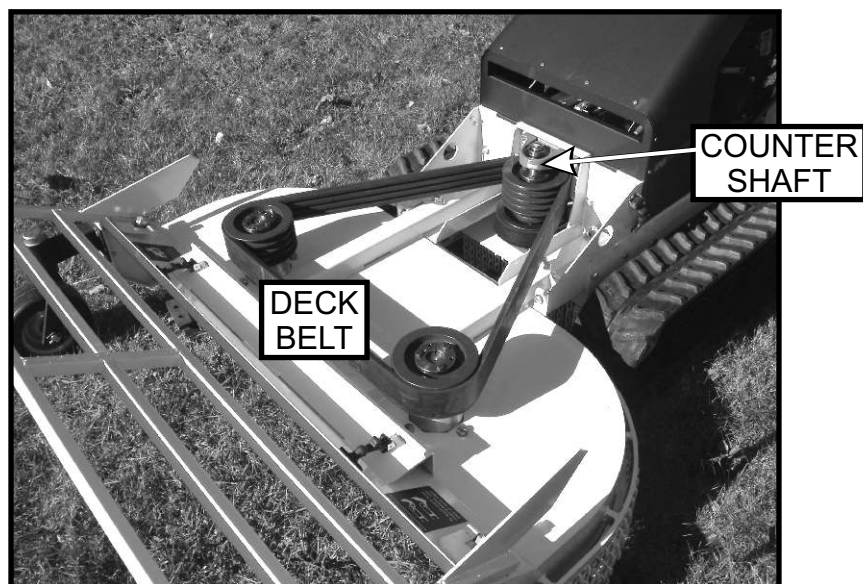
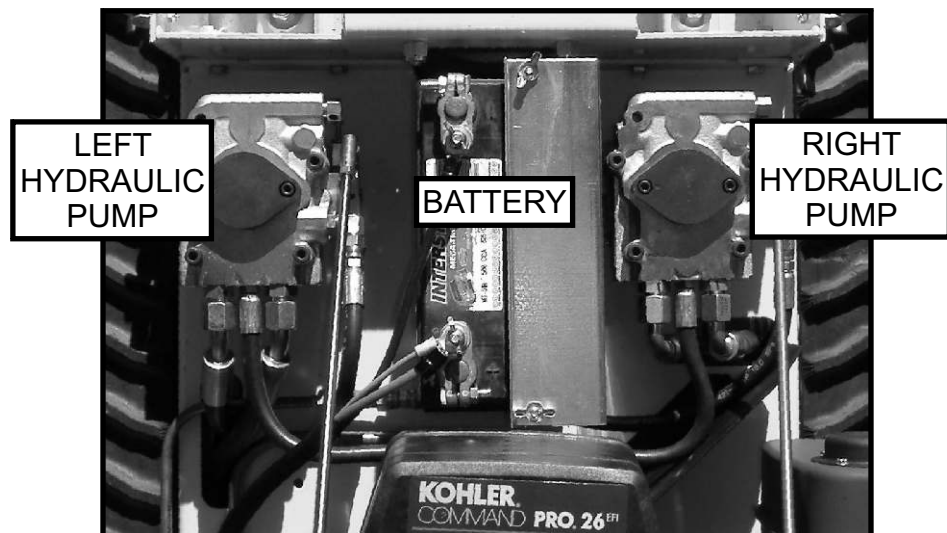
FEATURES AND CONTROLS



FEATURES AND CONTROLS



FEATURES AND CONTROLS

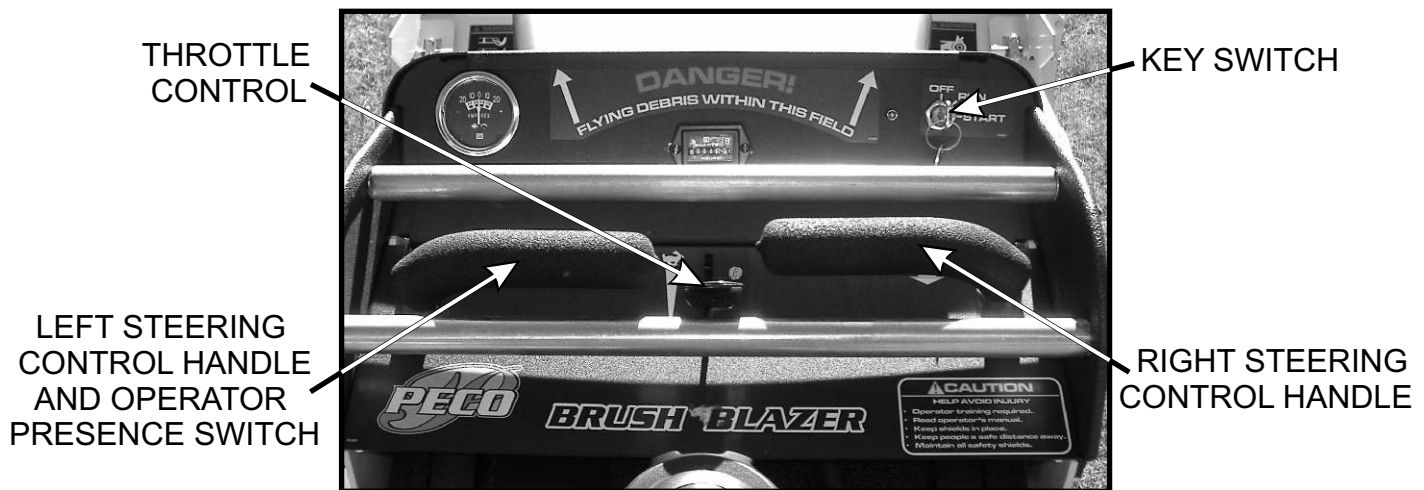


OPERATION

WARNING

READ THE SAFETY AND OPERATION PROCEDURES BEFORE USING THE PECO BRUSH BLAZER. DO NOT LET ANYONE OPERATE THE PECO BRUSH BLAZER IF THEY HAVE NOT READ AND ARE FAMILAIR WITH THE SAFETY AND OPERATION PROCEDURES. FAILURE TO DO SAY MAY RESULT IN SERIOUS INJURY OR DEATH.

The PECO Brush Blazer is equipped with an operator presence switch located on the left steering control handle. Your left hand must be on the left steering control handle at all times when operating the machine. Removing your left hand from the left steering control handle will engage the kill switch on the engine. This featured is designed and installed for your safety. Familiarize yourself with the controls and descriptions in the section below.



1. PLACE YOUR LEFT HAND ON THE LEFT STEERING CONTROL HANDLE

STARTING THE BRUSH BLAZER

2. PUSH THE THROTTLE CONTROL FORWARD



3. TURN THE KEY SWITCH TO THE RUN POSITION AND WAIT FOR THE FUEL PUMP TO ENGAGE. ONCE THE FUEL PUMP IS ENGAGED, TURN THE KEY TO THE START POSITION AND RELEASE

OPERATION

FORWARD MOVEMENT



Grab the front handle bar with your fingers and the steering control handles with your thumbs. Push both steering control handles forward at the same time to move forward. Push the controls slightly to move forward slowly. Pushing harder will increase the speed of your forward movement.

REVERSE MOVEMENT



Grab the rear handle bar with your thumbs and the steering control handles with your fingers. Pull the steering control handles back, towards you, at the same time. Pull back slightly to move slowly in reverse. Pull back harder to increase the speed of your reverse movement.

STEERING LEFT



Keep your left hand on the left steering control handle. Push the right steering control handle forward to steer to the left. Push the right steering control slightly to steer slowly. Pushing the control harder will execute a sharper turn.

OPERATION

LEFT ZERO TURN MANEUVER



Grab the left steering control handle with your left hand and pull back while at the same time grabbing the right steering control handle with your right hand and pushing forward. This will spin the machine left, without mowing forward.

STEERING RIGHT



Keep your right hand on the right steering control handle. Grab the left steering control handle with your left hand and push forward to steer right. Push the control forward slightly to steer slowly. Pushing the control harder will execute a sharper turn.

RIGHT ZERO TURN MANUEVER



Grab the left steering control handle with your left hand and push forward while at the same time grabbing the right steering control handle with your right hand and pulling back. This will spin the machine right, without mowing forward.

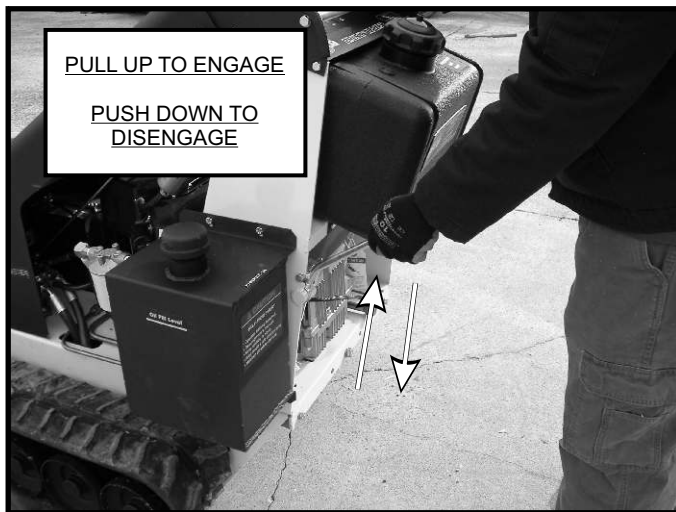
OPERATION

WARNING

THE BRUSH BLAZER CAN EASILY THROW STONES, STICKS AND OTHER DEBRIS AT GREAT VELOCITY, POSSIBLY CAUSING PROPERTY DAMAGE OR PERSONAL INJURY. DO NOT RUN THE BRUSH BLAZER OVER GRAVEL DRIVEWAYS, LOOSE STONES OR MULCH WITH THE BLADES ENGAGED.

IF NECESSARY TO CLEAR DEBRIS FROM MOWER DECK, DISENGAGE THE BLADE, TURN THE KEY SWITCH TO THE OFF POSITION AND DISCONNECT THE SPARK PLUG WIRE.

BLADE ENGAGEMENT/DISENGAGEMENT



ENGAGEMENT

While holding the left steering control handle with your right hand, reach down and pull up on the blade engagement control with your left hand.

DISENGAGEMENT

While holding the left steering control handle with your right hand, push the blade control down with your left hand.

TIPS ON BRUSH CUTTING

OBSTACLES: Always check your work area before mowing and remove any debris that might get tangled in or damage the machine. If the mower becomes tangled, turn off the engine and disconnect the spark plug wire before reaching into the mower deck area.

SLOPES: Do not operate the brush blazer on slopes more than 20 degrees. If you have to operate the machine on sloping terrain, move across the face of the slope, not up and down.

IF THE MACHINE GETS HUNG UP: Disengage the blade immediately. Try moving in reverse and backing away from the obstacle.

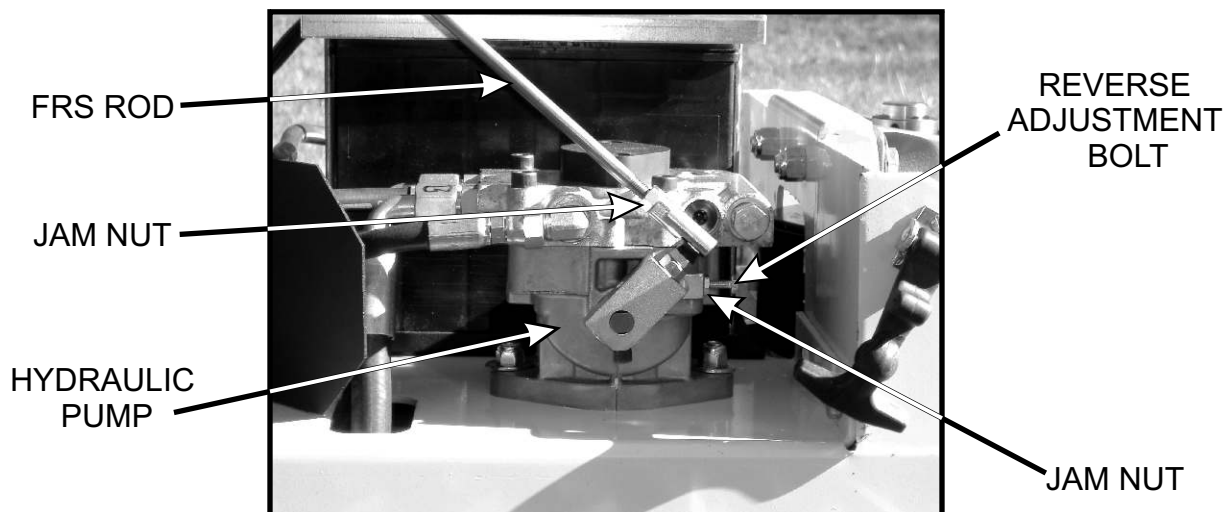
CUTTING BRUSH AND SAPLINGS: The Brush Blazer can cut saplings up to 4" in diameter. When cutting saplings or brush, allow the Brush Blazer to ride up and over the material slowly. Adjust your forward speed to varying conditions. After cutting brush or saplings, you may want to mow over it again to remove any remaining branches. It is recommended to mow from the trunk end toward the top as the brush lies on the ground.

CUTTING IN WET CONDITIONS: Use extreme caution when cutting in wet or slippery conditions. Avoid steep slopes or other slippery areas. Use a lower speed when conditions are wet or slippery.

PUMP ADJUSTMENT



BEFORE ADJUSTING THE PUMPS ON THE BRUSH BLAZER, USE A FLOOR JACK TO RAISE THE TRACKS OFF OF THE GROUND. USE BLOCKS UNDERNEATH THE MOWER DECK AND THE REAR CHASSIS TO SUPPORT THE MACHINE.



TRAVEL ADJUSTMENT:

1. With the machine securely supported on blocks, loosen the jam nut at the end of one or both FRS rods to be adjusted.
2. Turn the FRS rods either clockwise or counter clockwise until the tracks do not move when the machine idles.*
3. After making the necessary adjustments, tighten the jam nut at the end of one or both FRS rods.

*If the machine travels forward when idling, the FRS rods should be turned clockwise until the tracks do not move when the machine idles.

*If the machine travels in reverse when idling, the FRS rods should be turned counter-clockwise until the tracks do not move when the machine idles.

*If the machine pulls to the left when traveling forward, adjust the right FRS rod by turning the rod clockwise until the track does not move when the machine idles.

*If the machine pulls to the right when traveling forward, adjust the left FRS rod by turning the rod clockwise until the track does not move when the machine idles.

REVERSE SPEED ADJUSTMENT:

1. With the machine securely supported on blocks, loosen the jam nuts on both reverse adjustment bolts.
2. Turn the reverse adjustment bolts clockwise to slow the reverse speed or counter-clockwise to increase the reverse speed.
3. After adjustment, tighten the jam nuts on the reverse adjustment bolts.

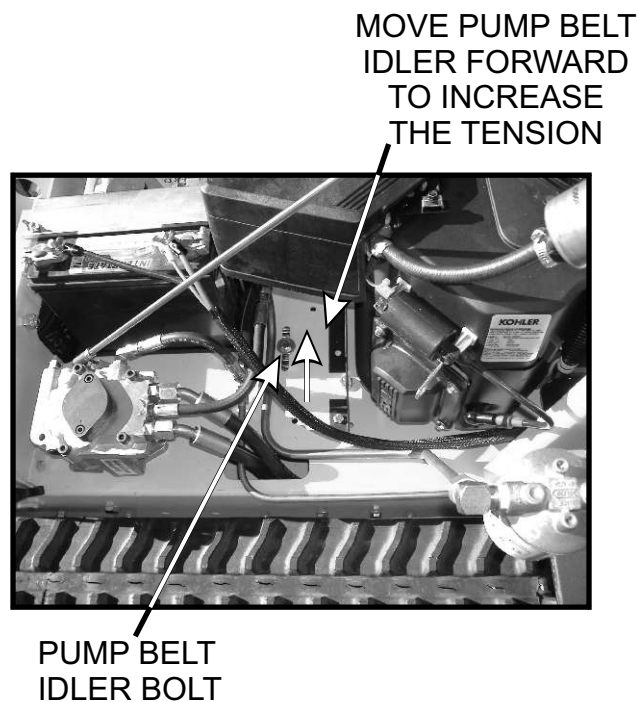
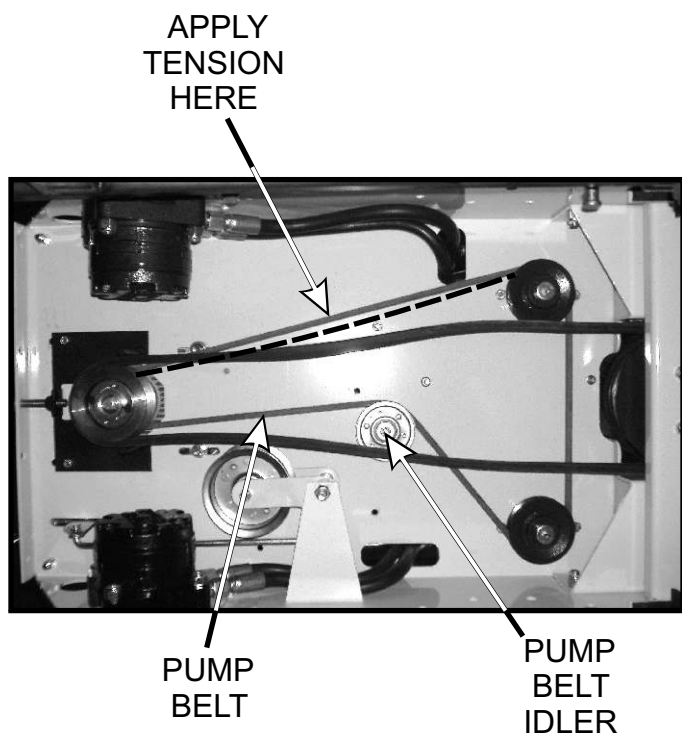


DO NOT INCREASE THE REVERSE SPEED FASTER THAN THE OPERATOR CAN SAFELY WALK BACKWARDS

PUMP BELT ADJUSTMENT

The pump belt should be checked periodically for the correct tension. There should be 1" of movement for 10 lbs. of tension applied to the center of the belt. To adjust the belt, follow the steps below and refer to the figures for reference:

1. Use a floor jack to raise the machine off the ground and blocks to support the chassis and deck.
2. Remove the engine deck rear guard and the lower deck pan.
3. Check the tension on the belt using a belt tension gauge.
4. If the belt tension needs adjustment, loosen the pump belt idler bolt.
5. Push the pump belt idler forward to increase the tension, then tighten the pump belt idler bolt.
6. Check the tension on the belt again, and adjust the pump belt idler if necessary.
7. Replace the lower deck pan and engine deck rear guard.



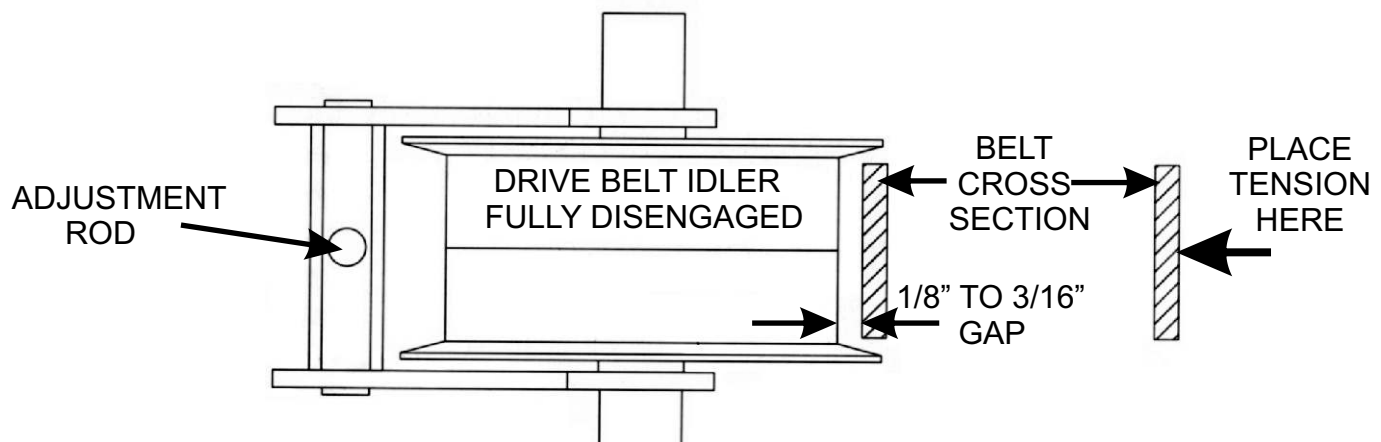
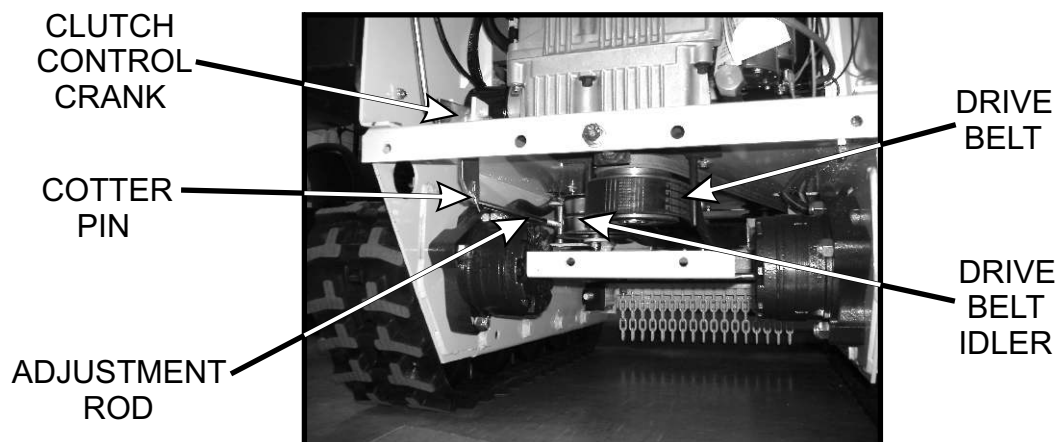
DRIVE BELT IDLER ADJUSTMENT

When the blade engagement control is disengaged, the drive belt idler puts tension on the drive belt, allowing the drive belt to spin without turning the blades. The drive belt idler must be checked periodically to ensure that the tension is correct, Follow the steps below and refer to the figures for reference:

1. Make sure the blade engagement control handle is disengaged.
2. Remove the engine deck rear guard.
3. Place tension on the drive belt as shown in the figure.
4. Measure the gap between the idler and the belt. There should be 1/8"-3/16" gap between the idler and the belt.

If the idler needs to be adjusted:

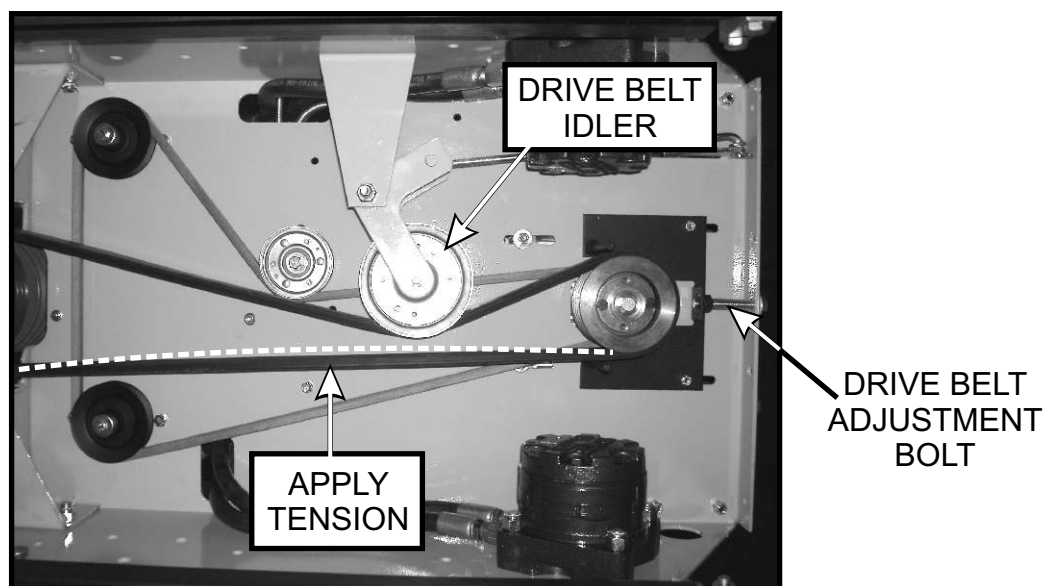
1. Remove the cotter pin from the end of the adjustment rod and remove the end of the adjustment rod from the clutch control crank.
2. Turn the adjustment rod clockwise to move the idler closer to the belt, or counter-clockwise to move the idler away from the belt.
3. Once the gap between the idler and the belt is correct, insert the adjustment rod into the clutch control crank and fasten with the cotter pin.
4. Replace the engine deck rear guard.



DRIVE BELT ADJUSTMENT

The drive belt should be checked periodically for the correct tension. There should be 1" of movement for 16 lbs. of tension applied to the center of the belt. Apply the tension to the center of the belt, on the side of the belt opposite the drive belt idler. To adjust the belt, follow the steps below and refer to the figures for reference:

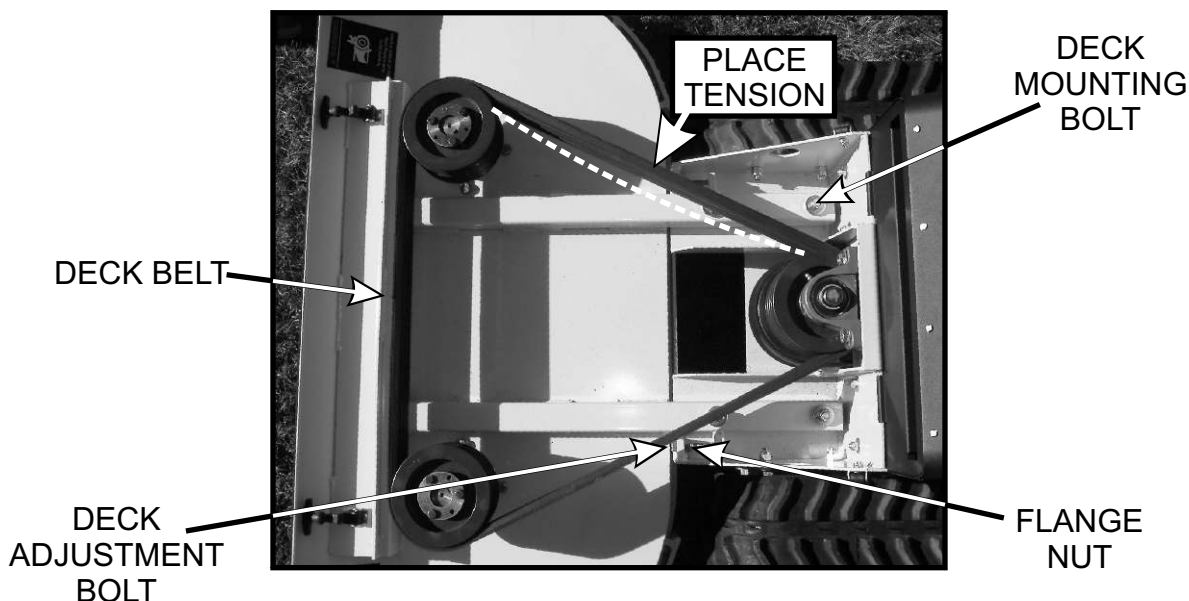
1. Use a floor jack to raise the machine off the ground and blocks to support the chassis and deck.
2. Remove the engine deck rear guard and the lower deck pan.
3. Engage the blade control.
4. Use a tension gauge to check the tension on the drive belt. Apply tension to the center of the belt, on the side opposite the drive belt idler. The correct tension is 1" of movement for 16 lbs. of tension applied to the center of the belt.
5. If the belt needs adjustment, turn the drive belt adjustment bolt clockwise to increase the tension or counter-clockwise to decrease the tension.
6. Disengage the blade control.
7. Replace the engine deck rear guard and lower deck pan.



DECK BELT ADJUSTMENT

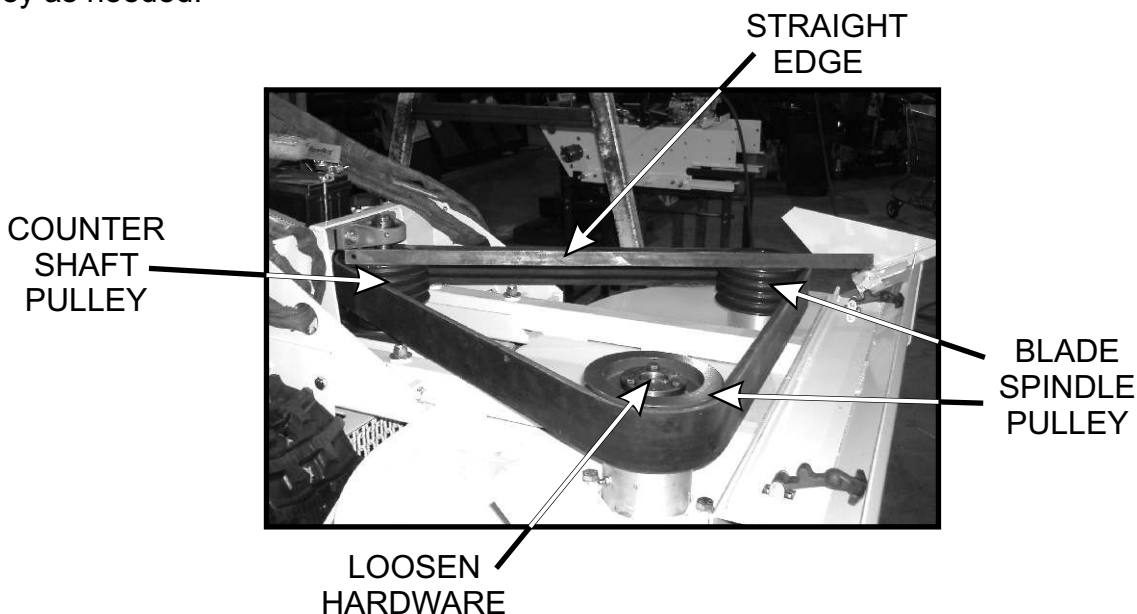
The deck belt should move 1/2" with 18 lbs. of tension on the belt. To adjust the tension on the belt follow the steps below and use the figure for reference:

1. Place tension on the center of the deck belt as shown.
2. If the belt needs adjustment, loosen the deck mounting bolts.
3. Break the flange nuts loose on the deck adjustment bolts.
4. Turn the adjustment bolt clockwise to increase tension or counter-clockwise to decrease tension.
5. Tighten the flange nuts on the adjustment bolts.
6. Tighten the deck mounting bolts.



MOWER DECK PULLEY ALIGNMENT

1. Use a plumbers level on the counter shaft pulley.
2. Use a 30" straight edge to level the blade spindle pulleys with the counter shaft pulley.
3. Use a 30" straight edge to level the blade spindle pulleys with each other.
4. If necessary, loosen the hardware on the pulley sleeve shown in the figure and adjust the pulley as needed.



DECK AND DRIVE BELT REMOVAL/REPLACEMENT

Use the following procedure for removal and replacement of the drive and deck belts:

REMOVAL:

1. Remove the drive belt adjustment bolt from the rear chassis of the machine. (Figure 1)
2. Loosen the two front engine mounting bolts. (Figure 2)
3. Remove the two rear engine mounting bolts along with the main drive take-up. (Figure 2)
4. Loosen the tension on the drive belt by pushing the engine forward.
5. Remove one end of the drive belt from the engine pulley. (Figure 3)
6. Loosen the four deck mounting bolts. (Figure 4)
7. Remove the deck adjustment bolts. (Figure 4)
8. Push the deck back as far as possible to loosen the tension on the deck belt. (Figure 5)
9. Remove the two bolts on the pillow block bearing. (Figure 6)
10. Pivot the counter shaft forward. (Figure 7)
11. With the counter shaft pivoted forward, remove the deck belt and drive belt from the pulleys on the counter shaft. (Figure 8)

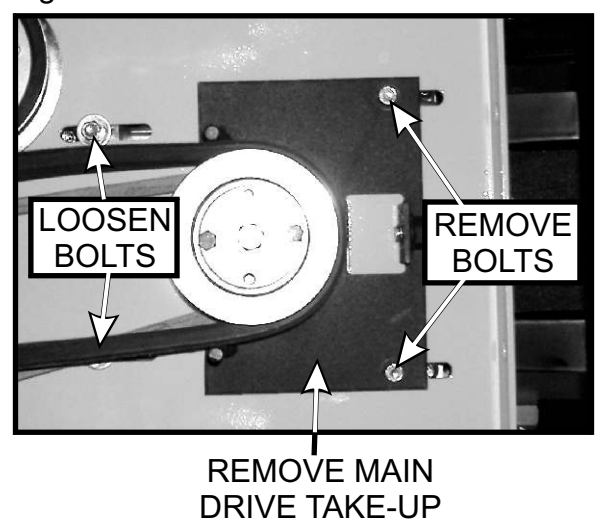
REPLACEMENT:

1. Wrap one end of the drive belt around the lower pulley on the counter shaft and feed the belt towards the engine pulley.
2. Wrap the deck belt pulley around both blade pulleys and the counter shaft pulley.
3. Pivot the counter shaft backwards and replace the two bolts in the pillow block bearing.
4. Wrap the other end of the drive belt around the engine pulley.
5. Replace the main drive take-up and rear engine mounting bolts. Leave the engine mounting bolts loose at this time.
6. Replace the drive belt tension bolt.
7. Slide the engine as far back as possible to increase the tension on the belt.
8. Tension the drive belt. See page 17 for drive belt tensioning procedure.
9. Tighten the engine mounting bolts after the drive belt has the correct tension.
10. Pull the deck forward to increase the tension on the deck belt.
11. Replace the deck adjustment bolts.
12. Tension the deck belt. See page 18 for deck belt tensioning procedure.

Figure 1



Figure 2



DECK AND DRIVE BELT REMOVAL AND REPLACEMENT

Figure 3

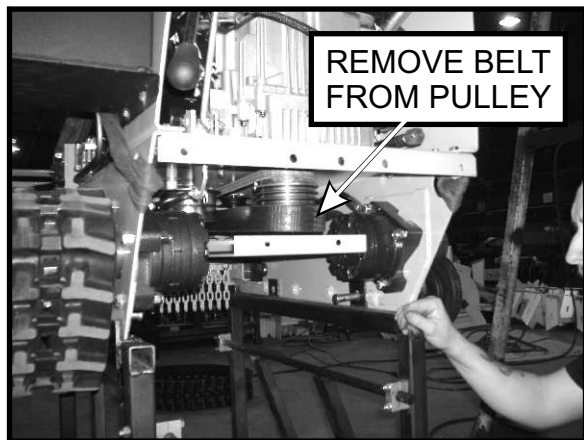


Figure 4

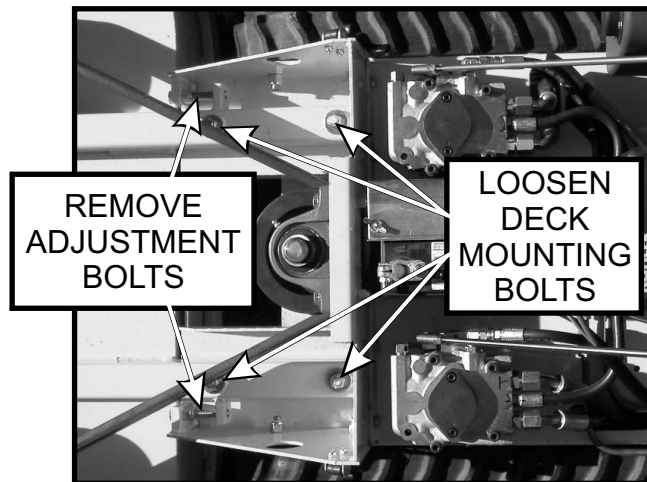


Figure 5

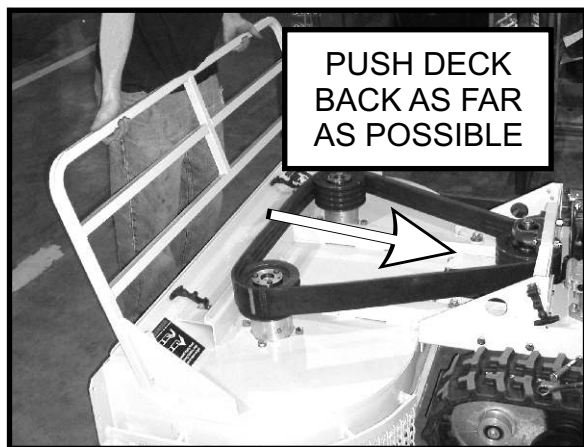


Figure 6

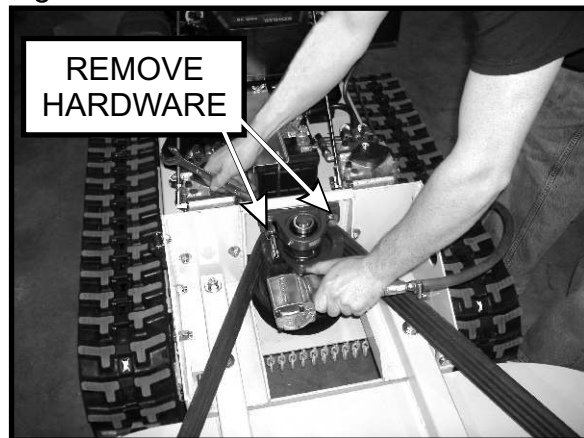


Figure 7

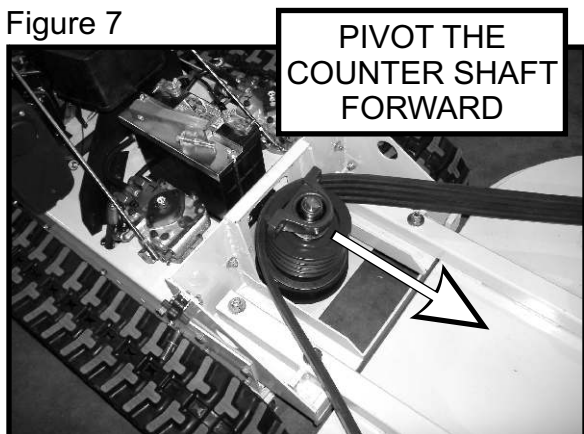
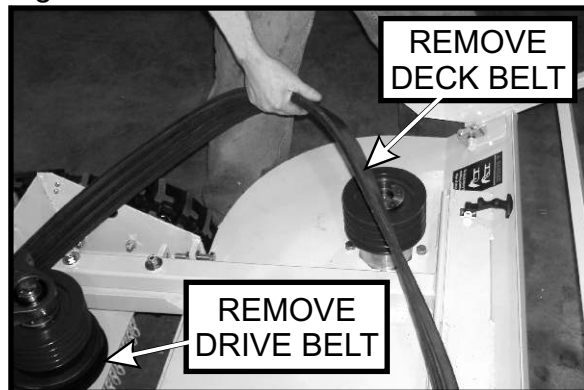


Figure 8



TRACK ADJUSTMENT/REMOVAL/REPLACEMENT

REMOVAL:

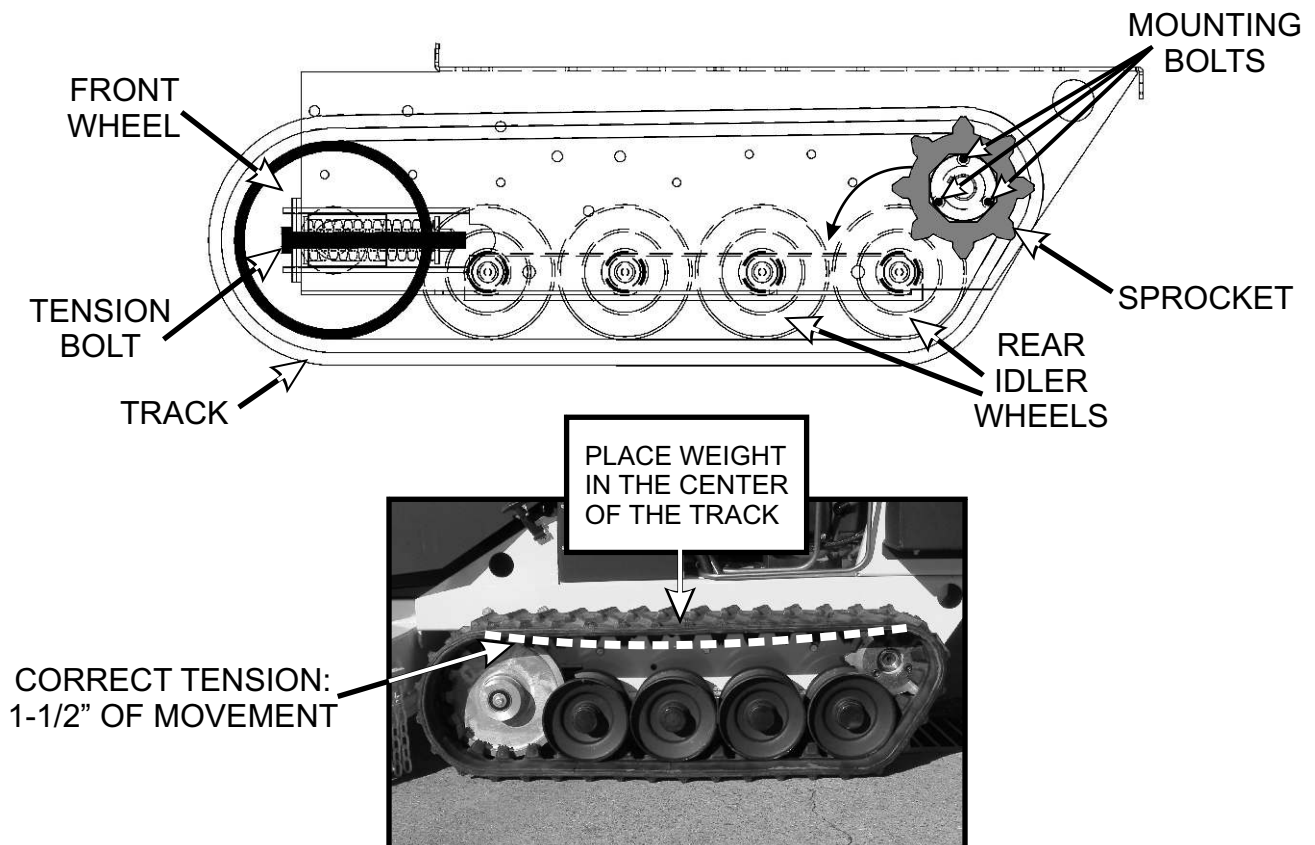
1. Remove the tension from the front wheel by turning the tension bolt clockwise. The tension bolt is located behind the front wheel.
2. Remove the three bolts from the sprocket hub and pull the sprocket towards you.
3. Once the sprocket is loose from the hub, use a pry bar to pivot the sprocket forward, resting in between the two rear idler wheels.
4. With the front wheel and the sprocket loose, the track can be removed.

REPLACEMENT:

1. With the front wheel and sprocket loose, place the track onto the wheel assembly.
2. Align the sprocket teeth with the center grooves on the track.
3. Rotate the sprocket from in between the rear idler wheels and align the sprocket mounting bolts with the holes on the sprocket hub.
4. Tighten the sprocket mounting bolts.
5. Tighten the track tension with the tension bolt.

ADJUSTMENT:

1. When adjusting the tension of the tracks, you will need 170 lbs. of weight resting on the center of the track. Someone approximately 170 lbs. can stand on the track, if necessary.
2. Use a scale to measure the distance the track moves once the weight is applied.
3. There should be 1-1/2" of movement in the track after the weight is applied.
4. Turn the tension bolt clockwise to decrease tension, or counter-clockwise to increase tension.



CHARGING THE HYDRAULIC SYSTEM



DANGER

DO NOT EXCEED MORE THAN 10 POUNDS OF PRESSURE WHEN CHARGING THE HYDRAULIC SYSTEM. FAILURE TO DO SO MAY RESULT IN SYSTEM FAILURE AND/OR PERSONAL INJURY.

CONTACT YOUR BRUSH BLAZER DEALER FOR THE HYDRAULIC CHARGING KIT ORDERING INFORMATION:

- **HYDRAULIC CHARGING KIT (PART#: TBB2-0068) INCLUDES:**
 - (1) 1/4" AIR REGULATOR WITH GAUGE (PART#: TBB2-0067)
 - (1) 1/4" FEMALE COUPLER (PART#: TBB2-0066)
 - (1) 1/4" MALE PLUG (PART#: TBB2-0063)
 - (1) HYDRAULIC OIL TANK CAP WITH FITTING (PART#: TBB2-0065) INCLUDES:
 - (1) HYDRAULIC OIL TANK CAP DRILLED FOR 1/4" NPT (PART#: TBB2-0064)
 - (1) 1/4" MALE PLUG (PART#: TBB2-0063)

TOOLS REQUIRED:

- (1) AIR COMPRESSOR
- (1) AIR HOSE WITH 1/4" FEMALE COUPLER
- (1) CONTAINER FOR COLLECTING FLUID
- (1) HYDRAULIC CHARGING KIT

PROCEDURE:

1. Loosen, but do not remove the charge relief valve on both hydraulic pumps. Figure 1
2. Disconnect the return line. Attach a hose to the end of the return line and use a suitable container to collect any fluid leakage that may occur. Figure 2



FIGURE 1



FIGURE 2

CHARGING THE HYDRAULIC SYSTEM

3. Attach the air regulator to the hydraulic oil tank cap with fitting and to the air hose. See Figure 3. Make sure the air regulator is in the off position. Figure 4
4. Turn the air compressor on and dial in 7 pounds on the air regulator gauge. Do not exceed more than 10 pounds of pressure, doing so may result in system failure and/or personal injury.
5. With the air regulator attached to the hydraulic oil tank cap, carefully screw the tank cap onto the hydraulic tank. Figure 5
6. Watch the return line for hydraulic oil. When the oils flows through the return line, the hydraulic system has been charged. Figure 6
7. Tighten the charge relief valves on both pumps.
8. Remove the hydraulic charging kit and replace the hydraulic oil tank cap.

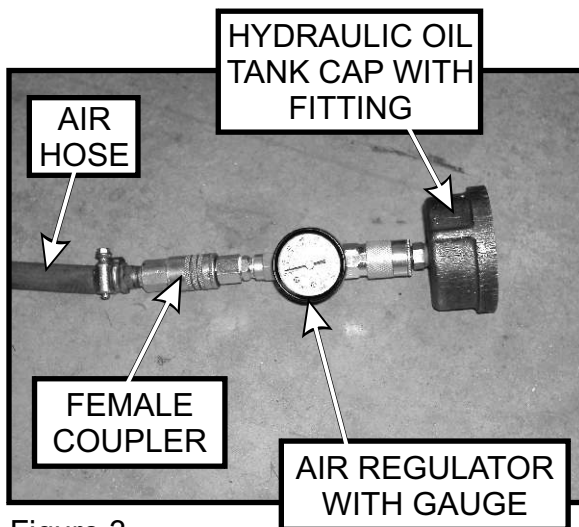


Figure 3

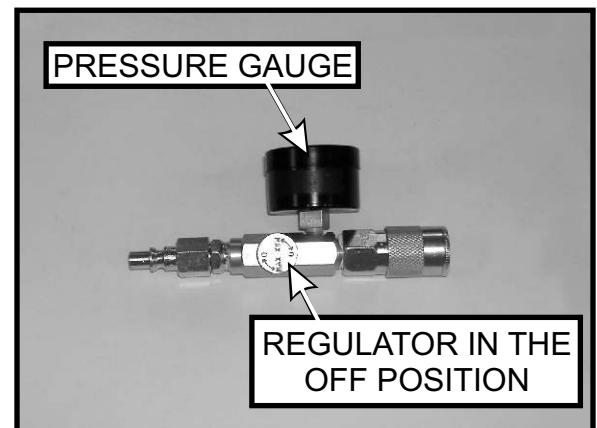


Figure 4



Figure 5

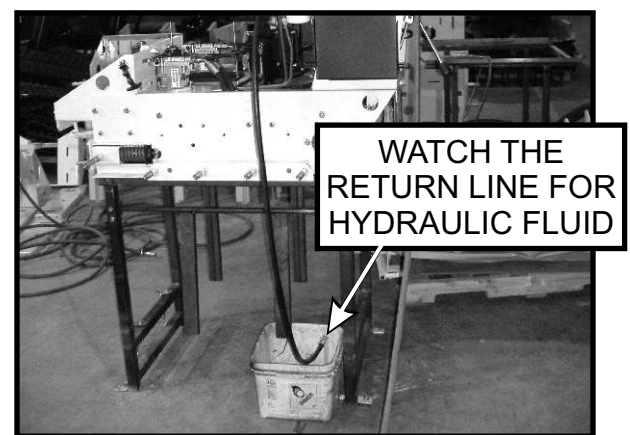
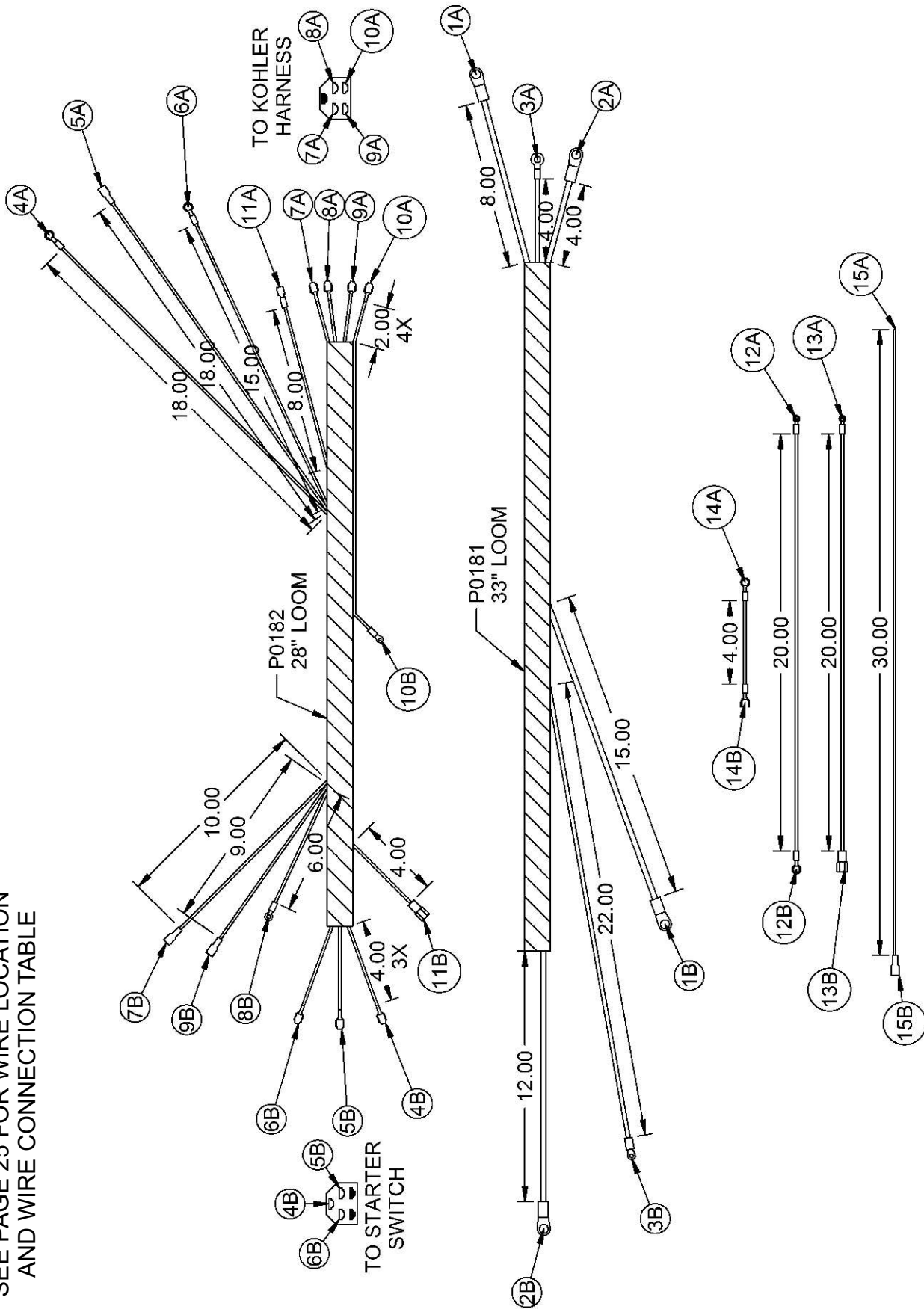


Figure 6

WIRING DIAGRAM

SEE PAGE 25 FOR WIRE LOCATION
AND WIRE CONNECTION TABLE



WIRING DIAGRAM

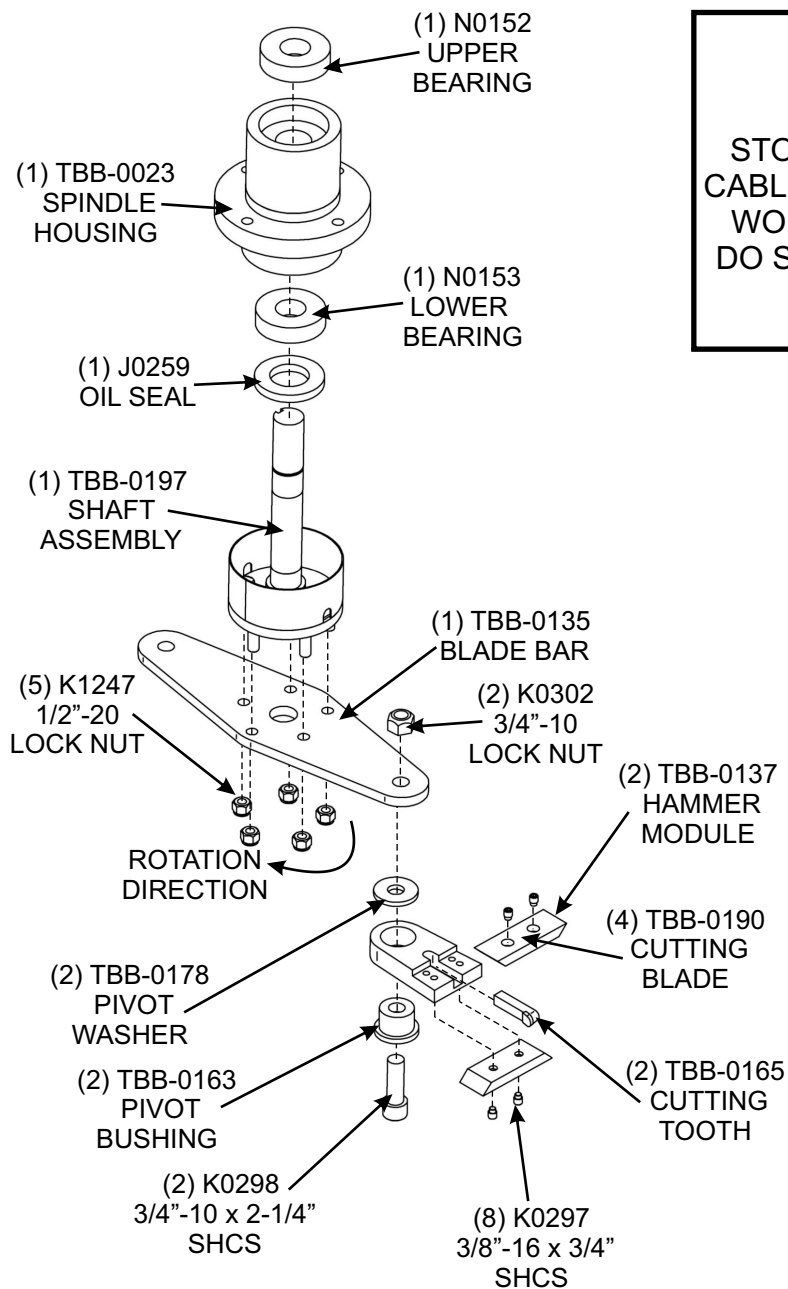
WIRE LOCATIONS

WIRE#	PART#	COLOR	LENGTH	GAGE	CONNECTION
1A-1B	P0166	BLACK	40"	6	BATTERY TO GROUND
2A-2B	P0167	RED	50"	6	BATTERY TO STARTER
3A-3B	P0168	RED	46"	10	BATTERY TO AMP METER
4A-4B	P0169	BLACK	40"	14	STARTER TO STARTER SWITCH
5A-5B	P0170	ORANGE	40"	14	STARTER TO STARTER SWITCH
6A-6B	P0171	GREEN	38"	14	STARTER TO STARTER SWITCH
7A-7B	P0172	RED	32"	18	KOHLER HARNESS TO LED NEG.
8A-8B	P0173	GREEN	30"	14	KOHLER HARNESS TO AMP METER
9A-9B	P0174	WHITE	32"	18	KOHLER HARNESS TO LED POS.
10A-10B	P0175	ORANGE	14"	14	KOHLER HARNESS TO FUEL PUMP
11A-11B	P0176	YELLOW	30"	14	KOHLER KILL SWITCH TO WIRE 13
12A-12B	P0177	BLACK	20"	14	KILL SWITCH TO GROUND
13A-13B	P0178	WHITE	20"	14	KILL SWITCH TO WIRE 11
14A-14B	P0179	BLACK	4"	14	FUEL PUMP TO GROUND
15A-15B	P0180	BLACK	30"	14	HOUR METER TO SPARK PLUG

WIRE CONNECTIONS

WIRE END	PART#	DESCRIPTION	WIRE END	PART#	DESCRIPTION
1A	P0091	6 GAGE RING TERMINAL 5/16"	8B	P0109	16-14 RING TERMINAL #10
1B	P0091	6 GAGE RING TERMINAL 5/16"	9A	P0109	16-14 FEMALE TERMINAL
2A	P0091	6 GAGE RING TERMINAL 5/16"	9B	P0106	16-14 FEMALE PUSH ON
2B	P0091	6 GAGE RING TERMINAL 5/16"	10A	P0109	16-14 FEMALE TERMINAL
3A	P0092	12-10 GAGE RING TERMINAL 5/16"	10B	P0165	16-14 RING TERMINAL #6
3B	P0093	12-10 GAGE RING TERMINAL #10	11A	P0111	16-14 MALE DISCONNECT
4A	P0098	16-14 GAGE RING TERMINAL 5/16"	11B	P0099	16-14 MALE PUSH ON
4B	P0109	16-14 FEMALE TERMINAL	12A	P0098	16-14 RING TERMINAL 5/16"
5A	P0106	16-14 FEMALE PUSH ON	12B	P0107	16-14 RING TERMINAL #10
5B	P0109	16-14 FEMALE TERMINAL	13A	P0099	16-14 MALE PUSH ON
6A	P0098	16-14 GAGE RING TERMINAL 5/16"	13B	P0107	16-14 RING TERMINAL #10
6B	P0109	16-14 FEMALE TERMINAL	14A	P0098	16-14 RING TERMINAL 5/16"
7A	P0109	16-14 FEMALE TERMINAL	14B	P0113	16-14 FORK TERMINAL
7B	P0106	16-14 FEMALE PUSH ON	15A	*****	NO TERMINAL
8A	P0109	16-14 FEMALE TERMINAL	15B	P0106	16-14 FEMALE PUSH ON

BLADE SHAFT ASSEMBLY



WARNING

STOP THE ENGINE, REMOVE BATTERY CABLE AND SUPPORT THE DECK BEFORE WORKING UNDERNEATH. FAILURE TO DO SO MAY RESULT IN SERIOUS INJURY OR DEATH.

Figure 2-1a

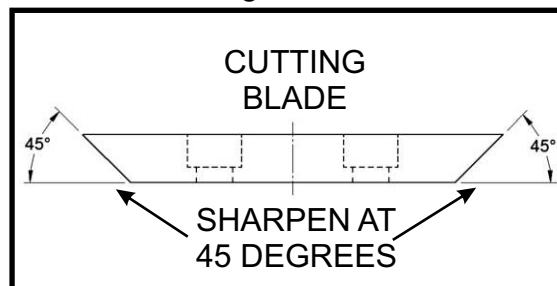
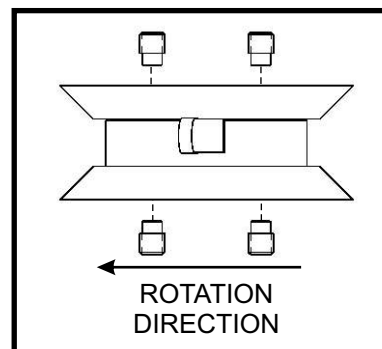


Figure 2-1b



BLADE REPLACEMENT

1. Secure the deck and position the blades for easy access.
2. Remove the (8) cap screws P#(K0297) from the cutting blades.
3. Inspect the cutting blade P#(TBB-0190), and sharpen if possible. When sharpening, use Figure 2-1a for reference.
4. Check the cutting tooth P#(TBB-0165) for wear. If the cutting tooth needs replacement, mount the new tooth 5/8" from the tip of the tooth to the face of the hammer module P#(TBB-0137).
5. Install the cutting blades as shown in Figure 2-1b.

LABEL REPLACEMENT PART NUMBERS

R2002



R1040



R1099



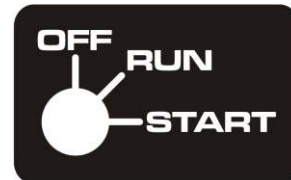
R1093



R1047



R2000



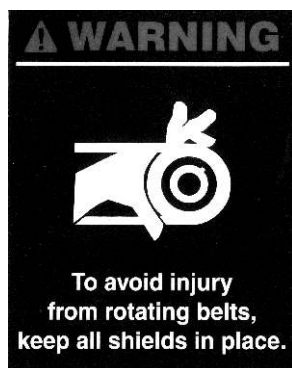
R2004



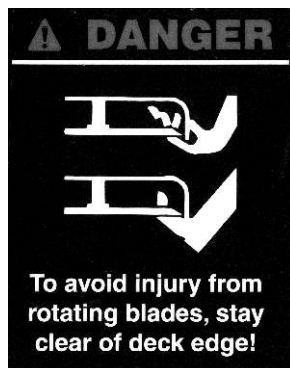
R2005



R1045



R1044



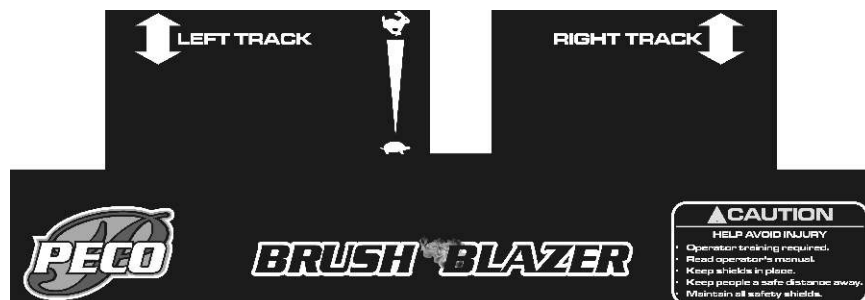
R1091



R1098



R2001



R2003



REGULAR MAINTENANCE

BATTERY REPLACEMENT:

1. Remove the deck and engine hood.
2. Disconnect the negative (-) battery cable.
3. Disconnect the positive (+) battery cable.
4. Remove the battery hold down clamp.
5. Remove the battery.
6. Clean the terminals and cable ends.
7. Install the new battery and replace battery hold down clamp.
8. Connect the positive (+) battery cable.
9. Connect the negative (-) battery cable.
10. Replace the deck and engine hood.

ELECTRICAL SYSTEM SERVICE:

1. Make sure the battery cables and terminals are clean and fastened tightly.
2. Check the electrolyte level in the battery often.
3. Remove any build-up or corrosion on the battery with a baking soda and water solution.
4. Cover the battery terminals with grease to prevent corrosion.
5. Check all electrical wires for loose connections.

AIR CLEANER SERVICE:

1. Remove the deck and engine hood.
2. Remove the outer air filter cover.
3. Remove the wing nut and inner air filter cover.
4. Remove the pre-cleaner from the filter and clean with warm water and detergent.
5. Squeeze dry the pre-cleaner and add one tablespoon of SAE 30 oil evenly to the pre-cleaner. 6. Work the oil into the pre-cleaner and wring out the excess oil.
7. Replace the pre-cleaner onto the inner air filter cover.
8. Replace the inner air filter cover and wing nut.
9. Replace the outer air filter cover, deck and engine hood.

ELEMENT REPLACEMENT:

1. Remove the deck and engine hood.
2. Remove the outer air filter cover.
3. Remove the wing nut and inner air filter cover.
4. Replace the filter element.
5. Replace the inner air filter cover and wing nut.
6. Replace the outer air filter cover deck and engine hood.

END OF SEASON STORAGE

- Change the oil and oil filter.
- Clean and replace the pre-cleaner filter.
- Clean any dirt and debris from the muffler area of the engine.
- If storing longer than 30 days, use a gas stabilizer.
- Close the fuel shut-off valve.
- Remove any grass, weeds or brush from the blade and deck area.
- Store the battery in a dry area that will not freeze.
- Remove and sharpen or replace blades as necessary.

ENGINE SERVICE: Refer to the Kohler 26HP service manual for instructions.

SCHEDULED REPLACEMENT PARTS LIST

PLEASE NOTE: These are only recommended replacement times. The replacement times on the parts in this list will vary depending on the work environment and operating habits.

<u>DESCRIPTION</u>	<u>PART #</u>	<u>HOURS</u>	<u>REQUIRED</u>
BANDED KEVLAR DECK BELT	M0232	400	01
B SECTION KEVLAR PUMP BELT	M0260	500	01
BANDED KEVLAR DRIVE BELT	M0233	300	01
CUTTING BLADES	TBB-0190	016	08
CUTTING TEETH	TBB-0165	004	04
CUTTING BLADE SHCS (3/8"-16 x 3/4")	K0297	025	16
HAMMER MODULE	TBB-0137	300	04
HAMMER MODULE PIVOT BUSHING	TBB-0163	300	04
HAMMER MODULE WASHER	TBB-0178	300	04
HAMMER MODULE SHCS (3/4"-10 x 2-1/4")	K0298	300	04
HAMMER MODULE NYLOC NUT (3/4"-10)	K0302	300	04
BLADE BAR	TBB-0135	600	02
BLADE BAR NYLOC NUT (1/2"-13)	K1247	600	10
ZINGA HYDRO OIL FILTER	U0030	050	01
KOHLER ENGINE OIL FILTER (KOHLER# 1205001)	TBB-0239	200	01
IGNITION SPARK PLUG (KOHLER# 1213202 RC12YC)	TBB-0236	200	01
KOHLER PRE-CLEANER ELEMENT (KOHLER# 2408305)	TBB-0238	025	01
KOHLER AIR CLEANER ELEMENT (KOHLER# 2408303)	TBB-0237	100	01
KOHLER FUEL FILTER (KOHLER# 25 050 10S)	TBB-0243	200	01

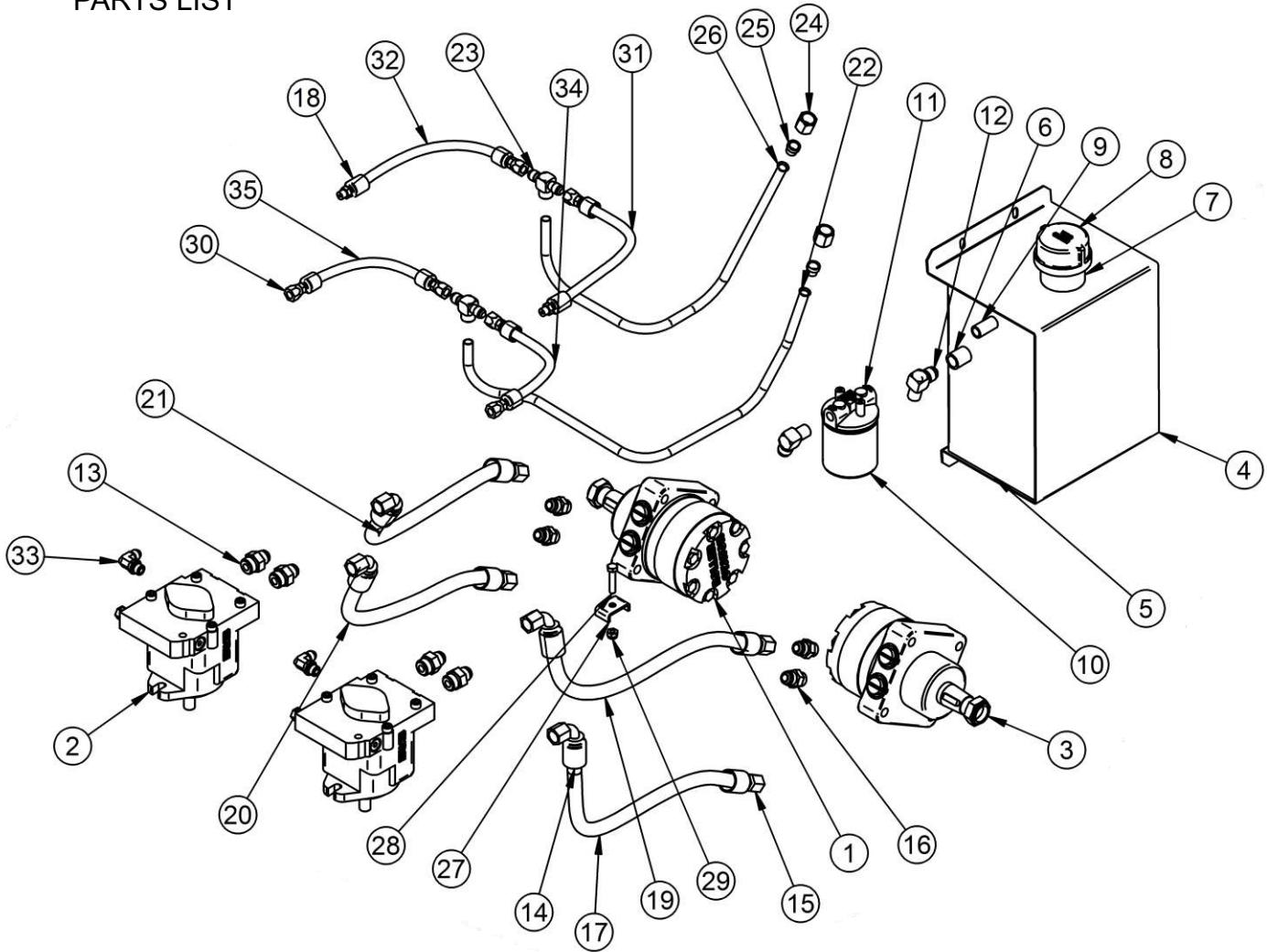
HYDRAULIC OIL

When replacing hydraulic fluid, the following grades and levels are approved for the Brush Blazer:

Mobil 1 Synthetic 5W-30, 10W-30, 15W-50
 Amoco Ultimate 10W-40
 Shell Gemini 10W-40, 15W-50
 Helix Ultra 5W-40, 10W-40
 Mobil Super HP 10W-40, 20W-50
 Viscosity Oil 10W-40
 Aero Shell 15W-50

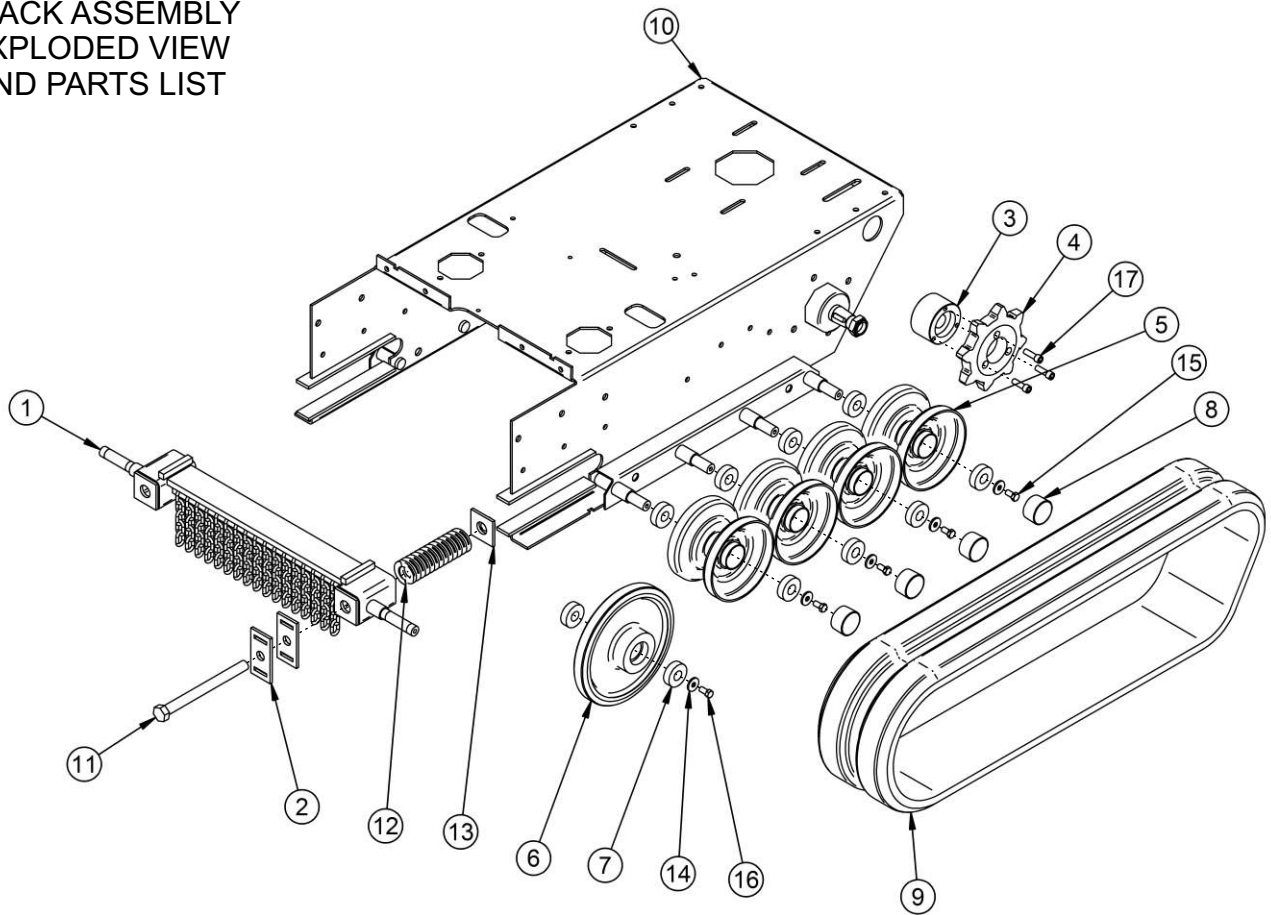
The Brush Blazer comes equipped with Aero Shell 15W-50

HYDRAULIC SYSTEM EXPLODED VIEW AND PARTS LIST



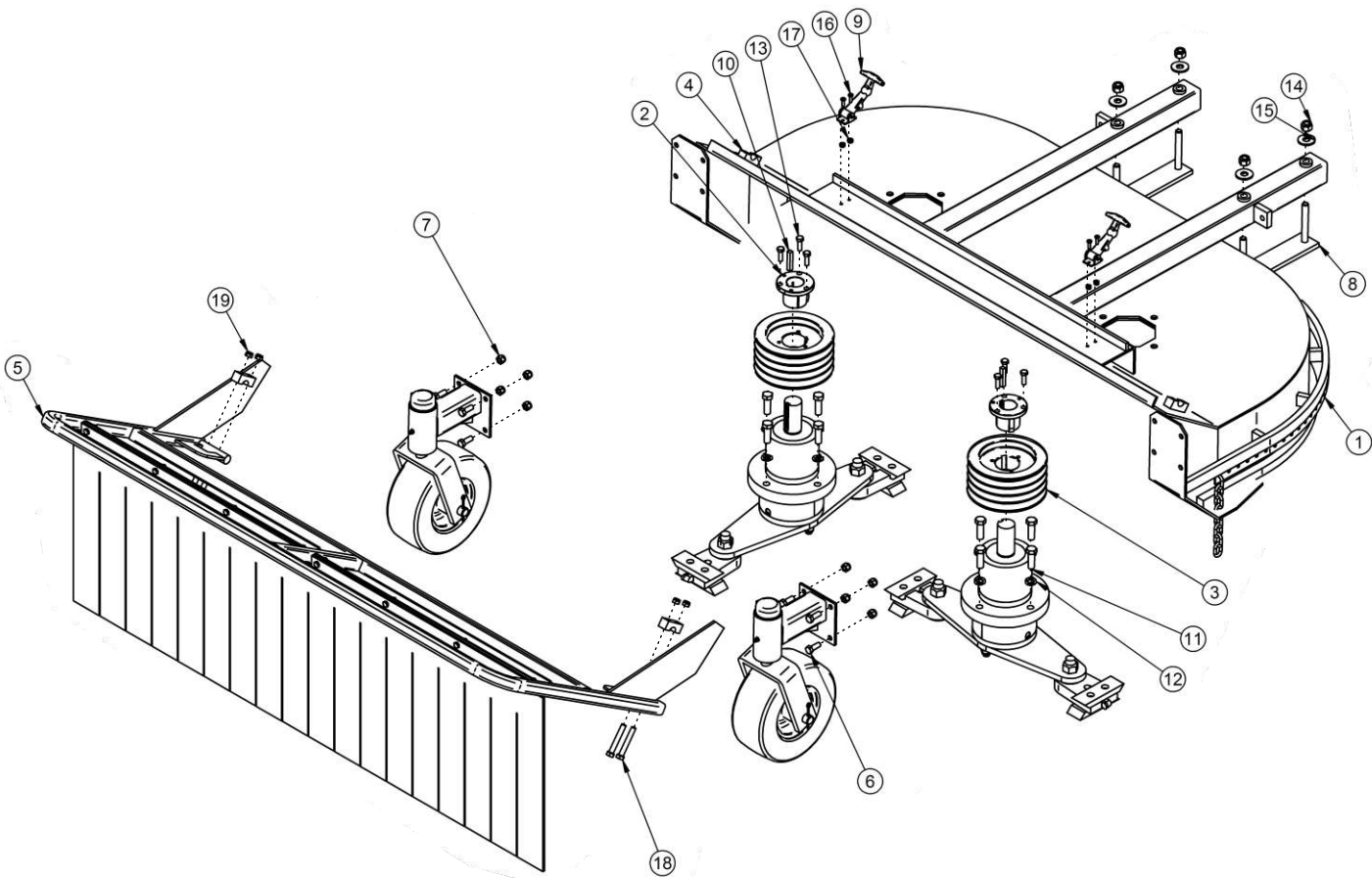
Item#	Part#	Title	Quantity	Item#	Part#	Title	Quantity
1	U0070	RIGHT HYDRO MOTOR - 501	1	19	U0092	1/2" x 18" HYDRAULIC HOSE	1
2	U0032	HYDRO PUMP	2	20	U0093	1/2" x 17-1/2" HYDRAULIC HOSE	1
3	U0069	LEFT HYDRO MOTOR - 500	1	21	U0094	1/2" x 17-1/2" HYDRAULIC HOSE	1
4	TBB-0043	HYDRO TANK T,B,S	1	22	U0090	HYDRAULIC RETURN LINE	1
5	TBB-0044	HYDRO TANK SIDES & BACK	1	23	U0084	TEE FITTING	2
6	S0203	3/8" NPT BLACK IRON COUPLER	1	24	U0087	TUBE NUT	2
7	TBB-0046	HYDRO TANK FILLER	1	25	U0088	TUBE SLEEVE	2
8	U0026	HYDRO TANK FILLER CAP	1	26	U0089	HYDRAULIC FLOW LINE	1
9	TBB-0101	HYDRO TANK SUCTION TUBE	1	27	TBB2-0071	HYDRO LINE CLAMP	1
10	U0030	ZINGA OIL FILTER	1	28	K1157	5/16"-18 x 1-1/2" ALL THREAD HHCS	1
11	U0031	OIL FILTER CAP	1	29	K1180	5/16"-18 NYLOC NUT	1
12	U0085	90 MALE ELBOW FITTING	2	30	U0044	3/8" CRIMP FITTING	6
13	U0038	3/4" STRAIGHT THREAD CONNECTOR	4	31	U0095	1/4" x 10" HYDRAULIC HOSE	1
14	U0050	1/2" 90 ELBOW	4	32	U0096	1/4" x 10" HYDRAULIC HOSE	1
15	U0049	1/2" CRIMP FITTING FEMALE	4	33	U0042	STRAIGHT THREAD 90 ELBOW	2
16	U0039	3/4" STRAIGHT THREAD CONNECTOR	4	34	U0097	1/4" x 8-1/4" HYDRAULIC HOSE	1
17	U0091	1/2" x 18" HYDRAULIC HOSE	1	35	U0098	1/4" x 8-1/4" HYDRAULIC HOSE	1
18	U0043	1/4" MALE CRIMP FITTING	2				

TRACK ASSEMBLY
EXPLODED VIEW
AND PARTS LIST



Item#	Part#	Title	Quantity
1	TBB-0007	SPRING HSG. ASSY.	1
2	TBB2-0040	SPRING HSG. TAKE-UP PL.	2
3	TBB-0139	SPROCKET HUB	1
4	TBB-0126	DRIVE SPROCKET	1
5	TBB-0157	IDLER WHEEL ASSY.	4
6	TBB-0188	FRONT AXLE WHEEL	1
7	N0151	IDLER WHEEL BRG.	2
8	V1007	IDLER WHEEL END CAP	4
9	H1043	RUBBER TRACK	1
10	TBB-0129	CHASSIS ASSY.	1
11	K0307	3/4"-10 x 8-1/2" HHCS	1
12	J0257	HEAVY DUTY DIE SPRING	1
13	TBB-0224	SPRING TENSION NUT ASSY.	1
14	S0175	WHEEL WASHER	5
15	K1190	3/8"-16 x 3/4" HHCS	4
16	K0340	3/8"-24 X 3/4" HHCS G5	1
17	K0309	3/8"-16 x 1" SHCS	3

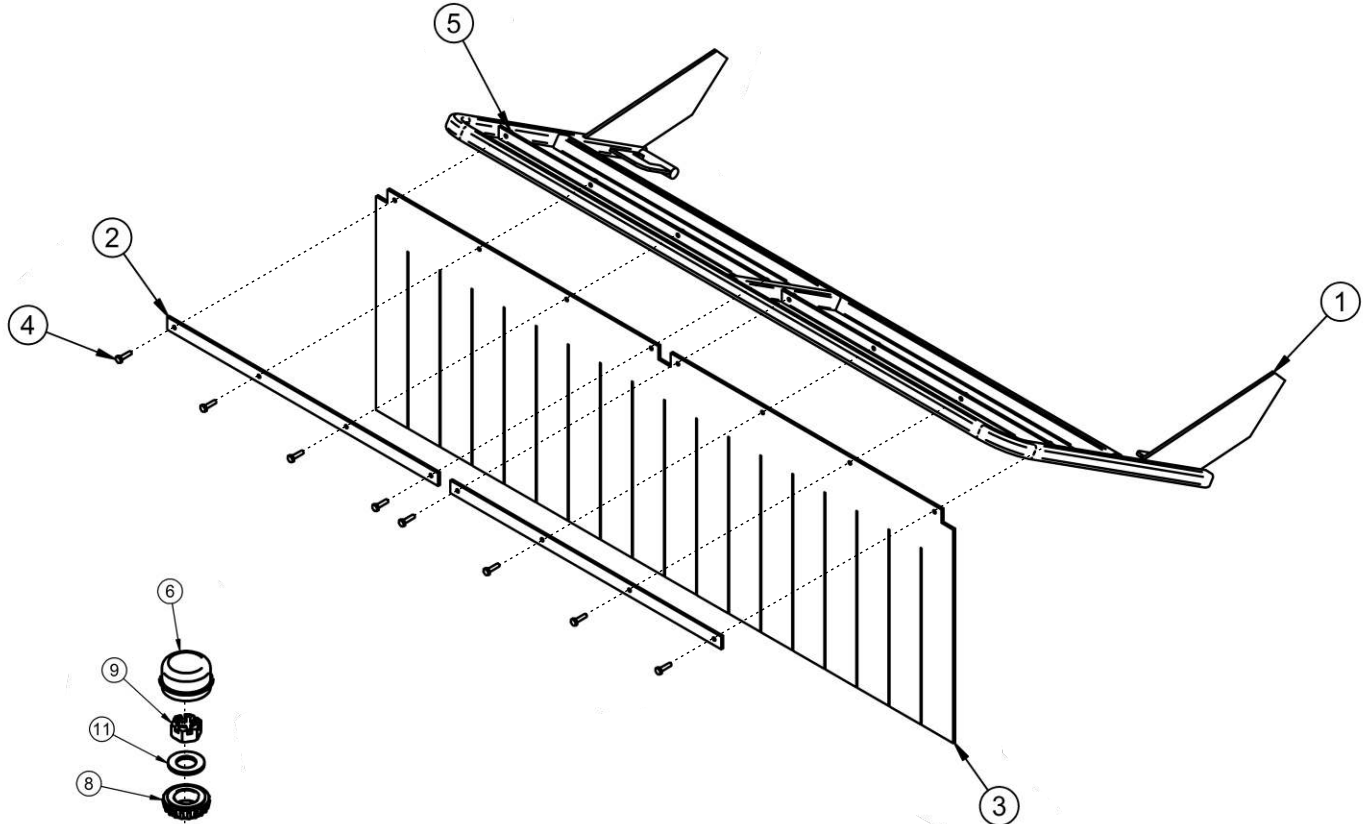
DECK ASSEMBLY
EXPLODED VIEW
AND PARTS LIST



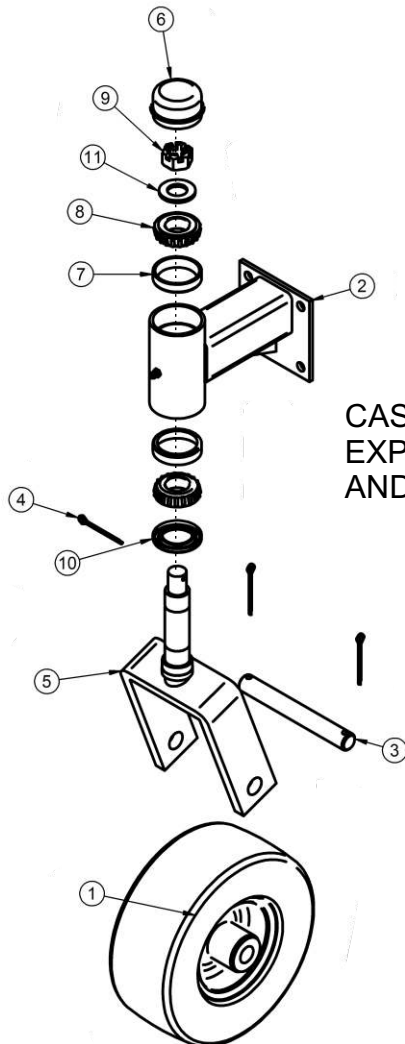
Item#	Part#	Title	Quantity	Item#	Part#	Title	Quantity
1	TBB-0029	DECK ASSY.	1	11	K0392	1/2"-13 x 1-1/2" HHCS GR8	8
2	S0163	DECK SHEAVE BUSHING	2	12	K0056	7/16" LOCK WASHER	8
3	TBB-0161	DECK SHEAVE	2	13	K1154	5/16"-18 x 1" HHCS	6
4	C7001	BRG. BLOCK	4	14	K1247	1/2"-13 NYLOC NUT	4
5	TBB-0012	GATE WELDMENT	1	15	K0055	1/2" FLAT WASHER 1.383 OD x .560 ID x .120 T	4
6	K1191	3/8"-16 x 1" HHCS	8	16	K0237	10-24 x 5/8" PSLMS	4
7	K1216	3/8"-16 NYLOC NUT	8	17	K1068	10-24 NYLOC NUT	4
8	TBB2-0018	DECK MNTG. PLATE ASSY.	2	18	K1197	3/8"-16 X 2 1/2" HHCS	4
9	J0240	DRAW LATCH	2	19	K1180	5/16"-18 NYLOC NUT	4
10	K0341	5/16" x 1-3/4" KEYSTOCK	2				

TREE GATE ASSEMBLY
EXPLODED VIEW AND
PARTS LIST

Item#	Part#	Title	Quantity
1	TBB-0012	GATE WELDMENT	1
2	TBB2-0062	DEBRIS SHIELD CLAMP PL.	2
3	V0012	DEBRIS SHIELD	1
4	K1125	1/4"-20 X 1" HHCS	8
5	K1128	1/4"-20 NYLOC NUT	8



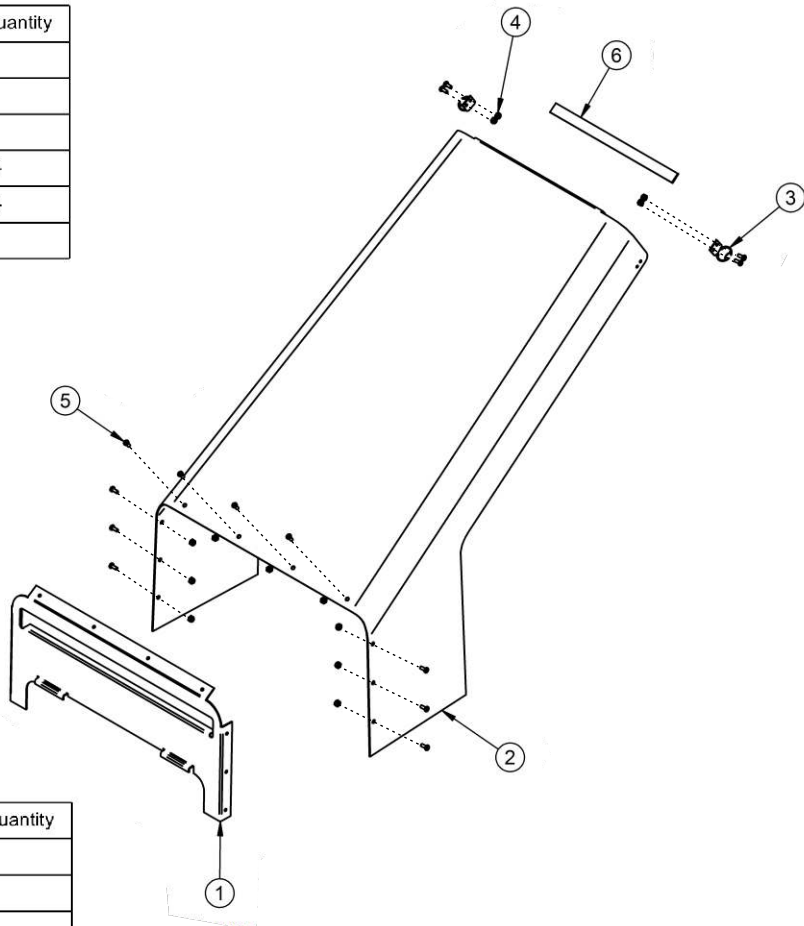
CASTER ASSEMBLY
EXPLODED VIEW
AND PARTS LIST



Item#	Part#	Title	Quantity
1	H3408	SOLID WHEEL	1
2	TBB2-0027	MNT. TUBE ASSY.	1
3	TBB2-0030	CASTER AXLE	1
4	K0089	3/16" x 2" COTTER PIN	3
5	TBB2-0028	CASTER FORK ASSY.	1
6	N0164	DUST CAP	1
7	N0162	BRG. RACE	2
8	N0161	CASTER BRG.	2
9	K0396	3/4"-16 SLOTTED HEX NUT	1
10	N0163	GREASE SEAL	1
11	K0399	3/4" AXLE WASHER GR2	1

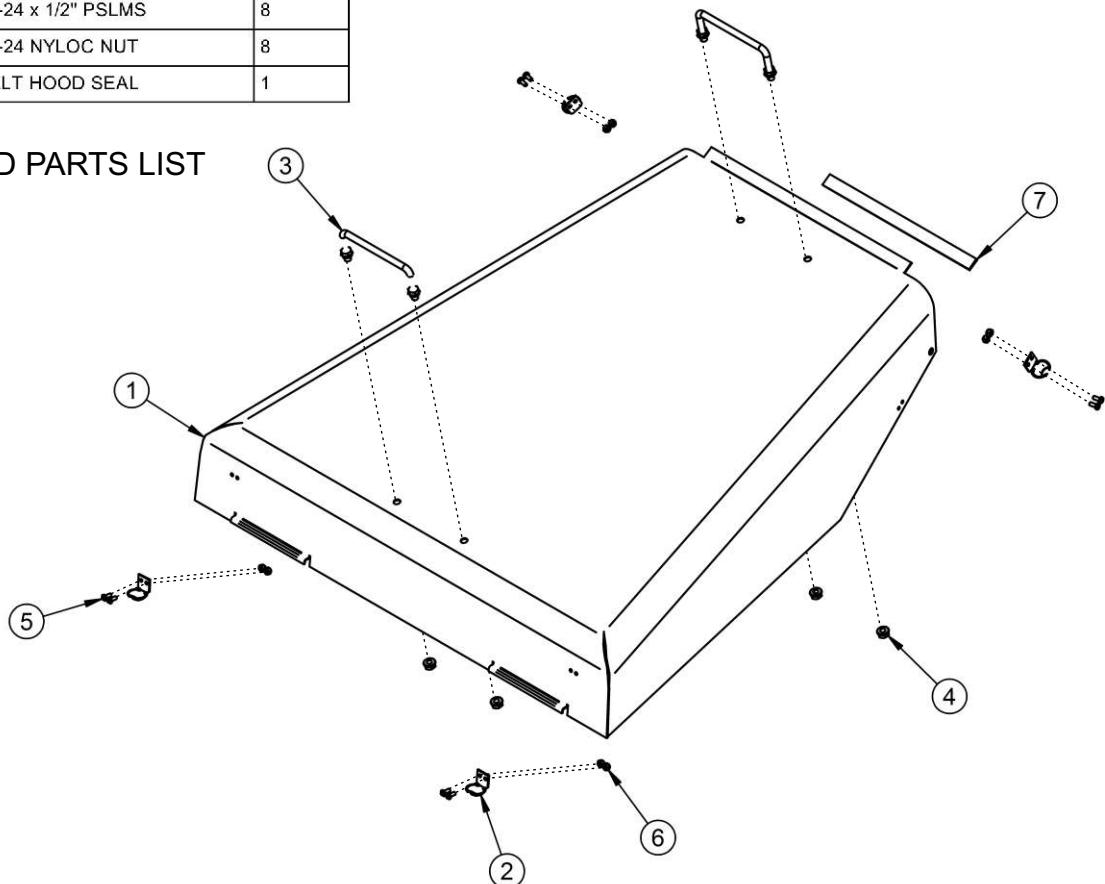
Item#	Part#	Title	Quantity
1	TBB2-0044	CHASSIS HOOD MNT. PL.	1
2	TBB2-0045	CHASSIS HOOD	1
3	J0240A	DRAW LATCH CONNECTOR	2
4	K1068	10-24 NYLOC NUT	14
5	K1064	10-24 x 1/2" PSLMS	14
6	V0014	BELT HOOD SEAL	1

ENGINE HOOD EXPLODED VIEW AND PARTS LIST

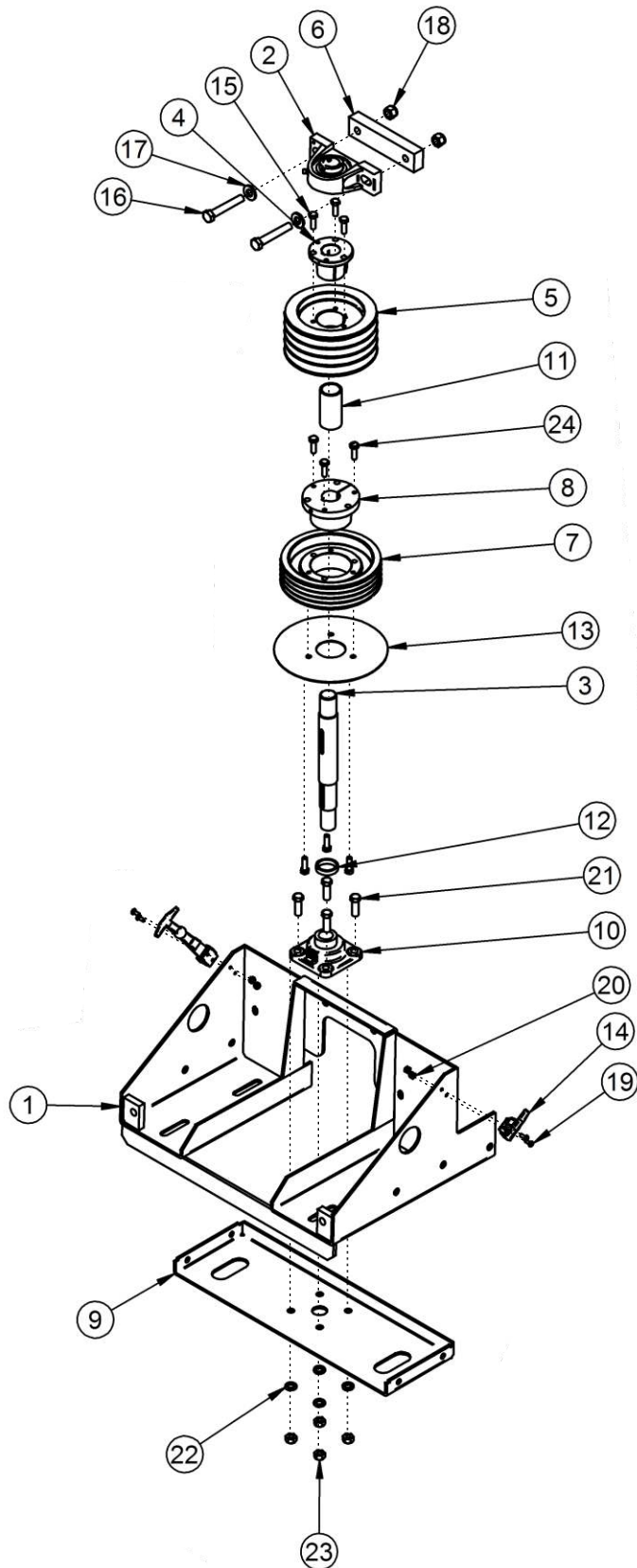


Item#	Part#	Title	Quantity
1	TBB-0052	BELT HOOD	1
2	J0240A	DRAW LATCH CONNECTOR	4
3	K0323	HOOD HANDLE	2
4	K1215	3/8"-16 FLANGE NUT	8
5	K1064	10-24 x 1/2" PSLMS	8
6	K1068	10-24 NYLOC NUT	8
7	V0014	BELT HOOD SEAL	1

VIEW AND PARTS LIST

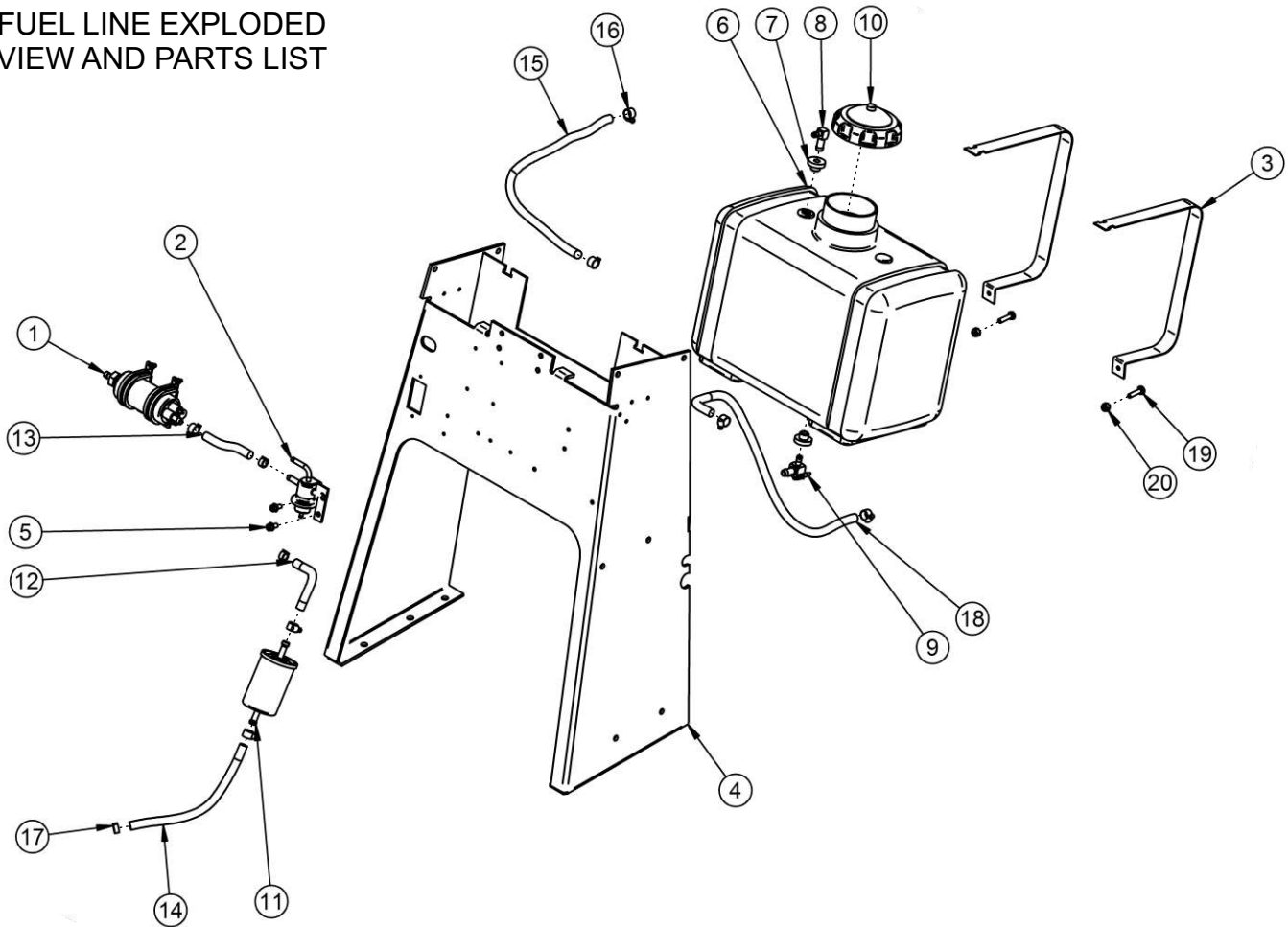


COUNTER SHAFT EXPLODED VIEW AND PARTS LIST



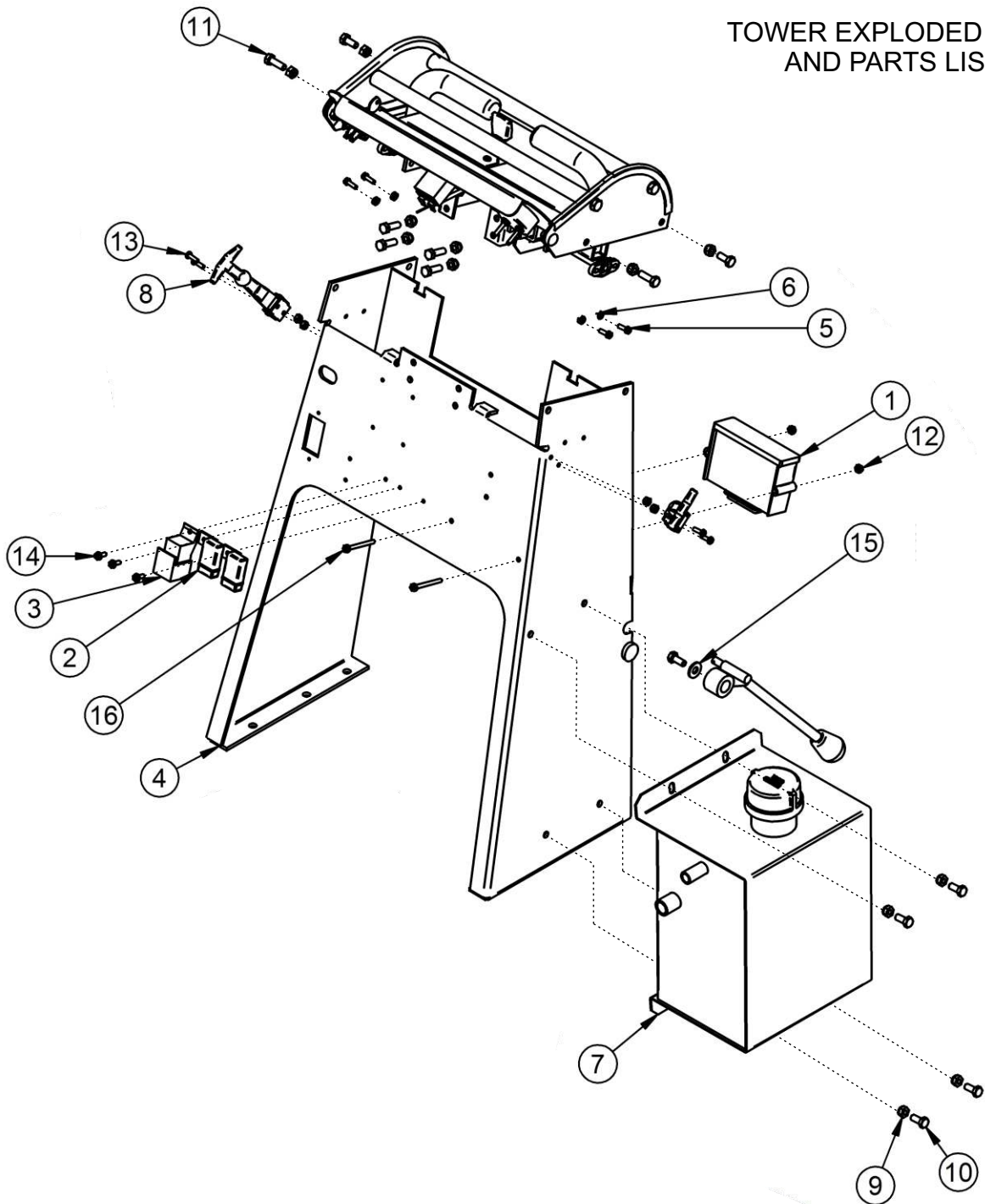
Item#	Part#	Title	Quantity
1	TBB-0250	C. SHAFT ASSY.	1
2	N0149	C. SHAFT PILLOW BEARING	1
3	TBB-0247	C. SHAFT	1
4	S0160	C. SHAFT SHEAVE BUSHING	1
5	TBB-0161	DECK SHEAVE	1
6	TBB-0021	BEARING SPACER BLOCK	1
7	TBB-0162	C. SHAFT DRIVE SHEAVE	1
8	S0187	C. SHAFT DRIVE SHEAVE BUSHING	1
9	TBB-0233	LWR. C. SHAFT MNT.	1
10	N0150	FAFNIR FLANGE CARTRIDGE RCJ 1	1
11	S0179	LRG. C. SHAFT SPACER	1
12	S0173	SML. C. SHAFT SPACER	1
13	TBB-0267	BELT RETAINER DISC	1
14	J0240	DRAW LATCH	2
15	K1154	5/16"-18 x 1" HHCS	9
16	K1236	1/2"-13 x 3" HHCS	2
17	K0400	1/2" SAE FLAT WASHER ZINC	2
18	K1247	1/2"-13 NYLOC NUT	2
19	K1064	10-24 x 1/2" PSLMS	4
20	K1068	10-24 NYLOC NUT	4
21	K0328	7/16"-14 x 1-1/4" HHCS	4
22	K0053	7/16" LOCK WASHER	4
23	K0329	7/16"-14 x 2" HHCS	4
24	K0043	5/16" LOCK WASHER	3

FUEL LINE EXPLODED VIEW AND PARTS LIST



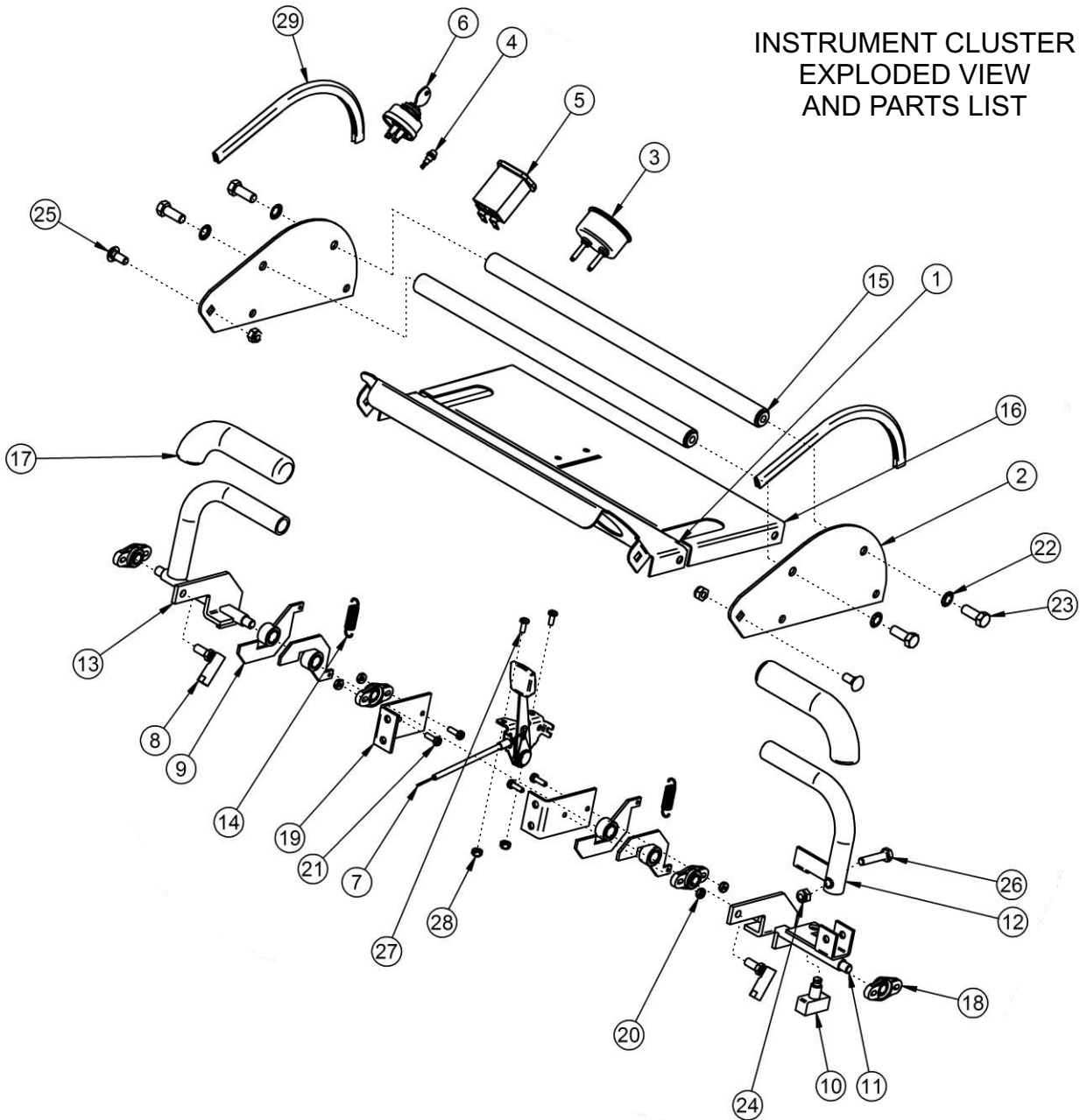
Item#	Part#	Title	Quantity
1	P0185	FUEL PUMP	1
2	P0186	RETURN FUEL VALVE	1
3	TBB2-0039	FUEL TANK STRAP	2
4	TBB2-0047	TOWER ASSY.	1
5	K0353	1/4"-20 x 1/2" HHSTS	2
6	X1049	FUEL TANK	1
7	X1051	FUEL VALVE BUSHING	2
8	X1060	FUEL TANK ELBOW	1
9	X1050	FUEL VALVE	1
10	X1052	FUEL TANK CAP	1
11	X1026	FUEL FILTER EFI	1
12	X1066	FUEL LINE	1
13	X1067	FUEL LINE	1
14	X1065	FUEL LINE	1
15	X1069	FUEL LINE	1
16	J0129	THREADED HOSE CLAMP	7
17	J0130	CRIMP HOSE CLAMP	3
18	X1068	FUEL LINE	1
19	K1125	1/4"-20 X 1" HHCS	2
20	K1128	1/4"-20 NYLOC NUT	2

TOWER EXPLODED VIEW AND PARTS LIST



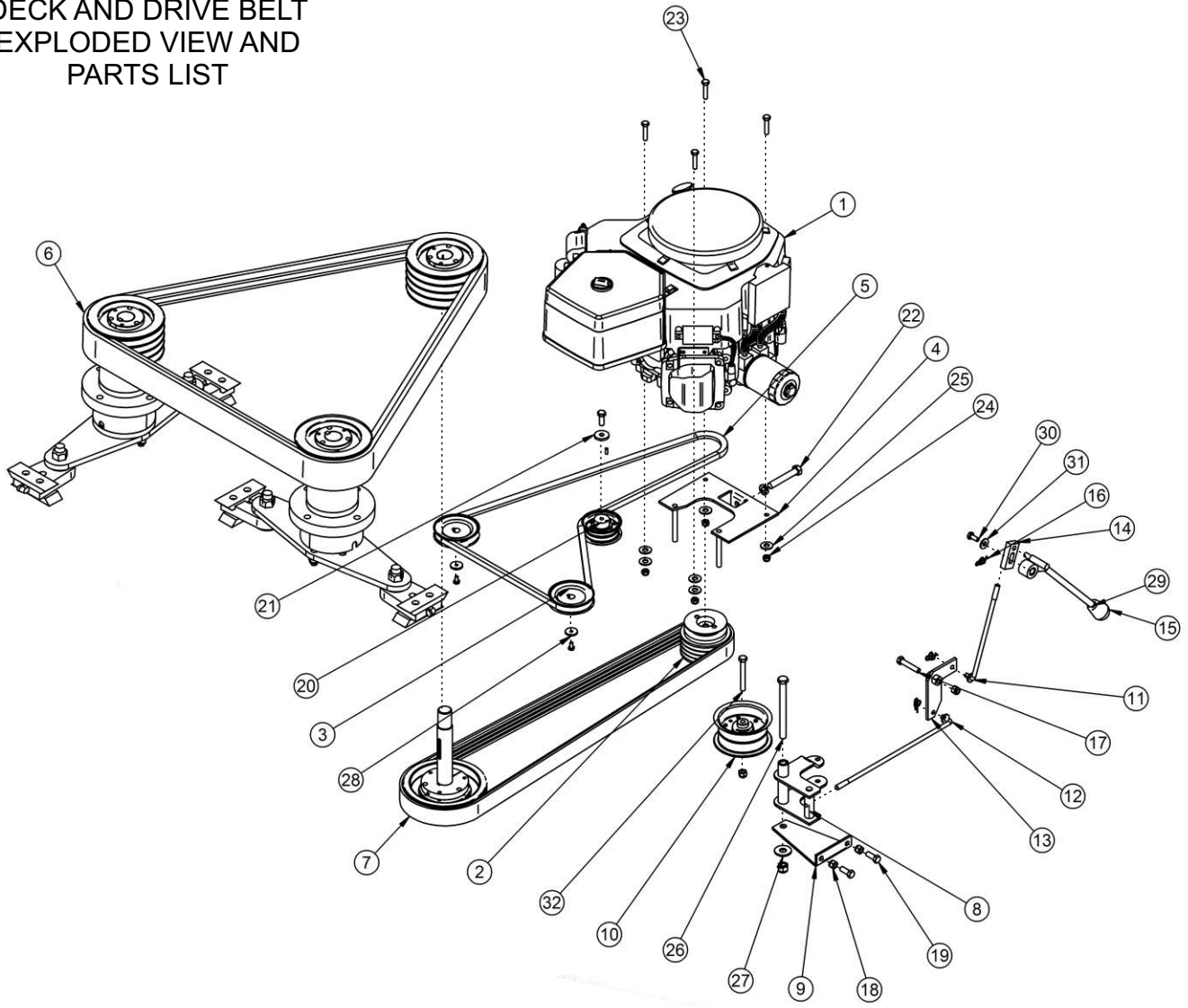
Item#	Part#	Title	Quantity	Item#	Part#	Title	Quantity
1	P0184	ENGINE COMPUTER	1	9	K1180	5/16"-18 NYLOC NUT	12
2	P0187	FUSE BLOCK	2	10	K1153	5/16"-18 x 3/4" HHCS	5
3	P0188	RELAY	1	11	K1154	5/16"-18 x 1" HHCS	8
4	TBB2-0047	TOWER ASSY.	1	12	K1068	10-24 NYLOC NUT	6
5	K0393	10-24 x 5/8" HWHSMS	4	13	K0237	10-24 x 5/8" PSLMS	4
6	K0394	10-24 HEX NUT WITH SERRATED WASHER	4	14	K0354	10-24 x 1/2" HHSTS	3
7	TBB-0042	HYDRO TANK ASSY.	1	15	K0042	5/16" FLAT WASHER .875 OD x .380 ID x .075 T	1
8	J0240	DRAW LATCH	2	16	K0019	10-24 x 2" SLOTTED HEX	2

INSTRUMENT CLUSTER EXPLODED VIEW AND PARTS LIST

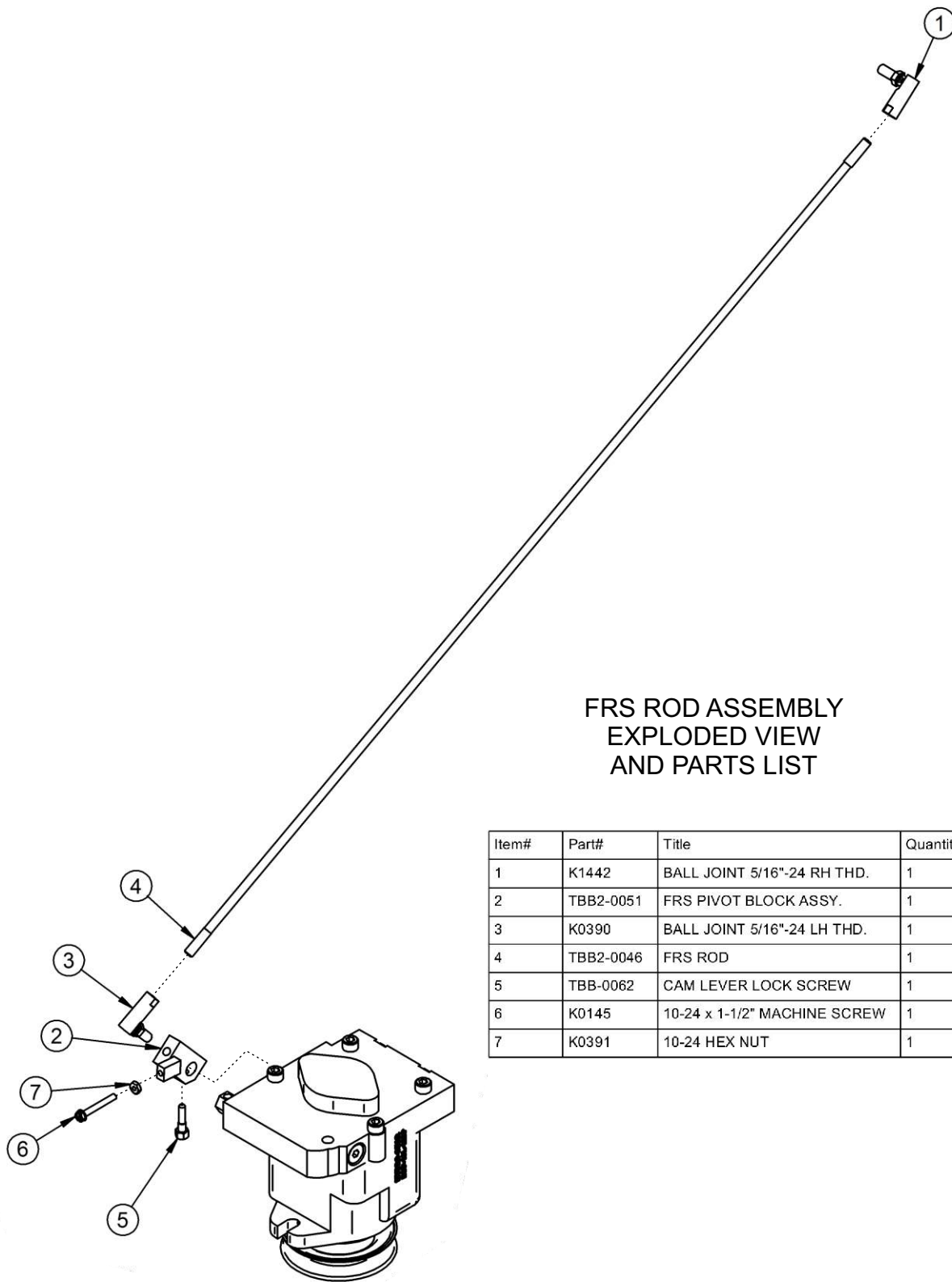


Item#	Part#	Title	Quantity	Item#	Part#	Title	Quantity
1	TBB2-0034	GAGE DASH PANEL	1	16	TBB2-0049	CONTROL DASH PANEL	1
2	TBB2-0035	DASH PANEL GUARD	2	17	J0281	BLACK GRIP .840 ID x 6 L x .187 WALL	2
3	P0081	AMP METER	1	18	N0155	FLANGE MNT. BRG.	4
4	P0119	ENGINE LED LIGHT	1	19	FRS-011	FRS MNT. BRKT.	2
5	P0164	SENDEC HOUR METER	1	20	K0394	10-24 HEX NUT WITH SERRATED WASHER	4
6	P0183	KEY SWITCH	1	21	K0393	10-24 x 5/8" HWHSMS	4
7	J0262	THROTTLE CABLE	1	22	K0049	5/16" INTERNAL LOCK WASHER	4
8	K1442	BALL JOINT 5/16"-24 RH THD.	2	23	K1191	3/8"-16 x 1" HHCS	4
9	FRSA-001	PIVOT BRKT. ASSY.	4	24	K1180	5/16"-18 NYLOC NUT	4
10	P0082	OPS SWITCH	1	25	K1142	5/16"-18 x 3/4" CARRIAGE BOLT	2
11	FRSA-003	FRS OPS SHAFT ASSY.	1	26	K1157	5/16"-18 x 1-1/2" ALL THREAD HHCS	1
12	FRSA-004	FRS OPS HANDLE ASSY.	1	27	K1064	10-24 x 1/2" PSLMS	2
13	FRSA-002	FRS HANDLE ASSY.	1	28	K1068	10-24 NYLOC NUT	2
14	J0280	FRS SPRING	2	29	V0013	DASH PANEL GUARD COVER	2
15	TBB2-0048	FRS GRAB BAR ASSY.	2				

DECK AND DRIVE BELT EXPLODED VIEW AND PARTS LIST



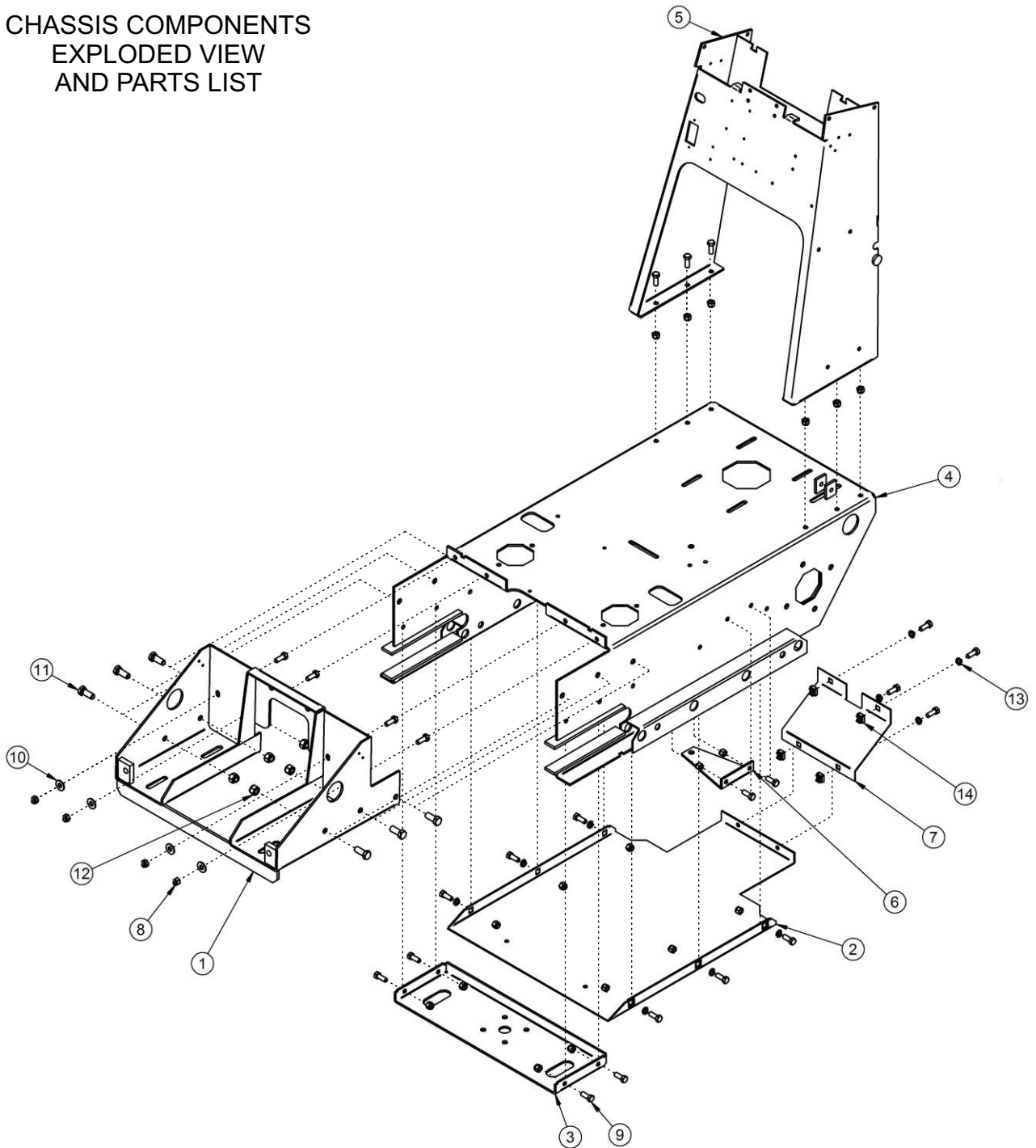
Item#	Part#	Title	Quantity	Item#	Part#	Title	Quantity
1	D1018	KOHLER 26HP CV26	1	17	K1208	3/8"-16 x 2" HHCS	1
2	TBB2-0052	ENGINE PULLEY	1	18	K1216	3/8"-16 NYLOC NUT	4
3	TBB2-0053	PUMP PULLEY	2	19	K1191	3/8"-16 x 1" HHCS	3
4	TBB-0241	MAIN DRIVE TAKE-UP ASSY.	1	20	TBB2-0059	TENSIONER PULLEY ASSY.	1
5	M0260	PUMP BELT	1	21	K1446	1.187 OD x .380 ID x .187 WASHER	1
6	M0232	DECK BELT	1	22	K1036	1/2"-13 x 3" ALL THREAD HHCS	1
7	M0233	DRIVE BELT	1	23	K0316	5/16"-18 x 1-1/2" HHCS G8	4
8	TBB-0207	CLUTCH IDLER ASSY.	1	24	K1180	5/16"-18 NYLOC NUT	4
9	TBB-0206	CLUTCH PULLEY MNTG. BRKT.	1	25	K0047	3/8" FLAT WASHER 1.00 OD x .446 ID x .075 T	6
10	TBB-0056	CLUTCH IDLER PULLEY	1	26	K0314	1/2"-13 HHCS X 5-5/8"	1
11	TBB-0066	VERT. CLUTCH ROD	1	27	K0055	1/2" FLAT WASHER 1.383 OD x .560 ID x .120	1
12	TBB-0094	HORIZ. CLUTCH ROD ASSY.	1	28	K0369	1/4" ID x 1" OD WASHER	2
13	TBB-0225	CLUTCH CONTROL CRANK ASSY.	1	29	TBB-0244	BLADE ENGAGEMENT CONTROL	1
14	TBB-0103	VERT. CLUTCH ROD ADJ. BLOCK	1	30	K1153	5/16"-18 x 3/4" HHCS	1
15	J0260	HANDLE KNOB	1	31	K0042	5/16" FLAT WASHER .875 OD x .380 ID x .075	1
16	K1437	RUE RING COTTER PIN	3	32	K1198	3/8"-16 X 3" HHCS	1



FRS ROD ASSEMBLY
EXPLODED VIEW
AND PARTS LIST

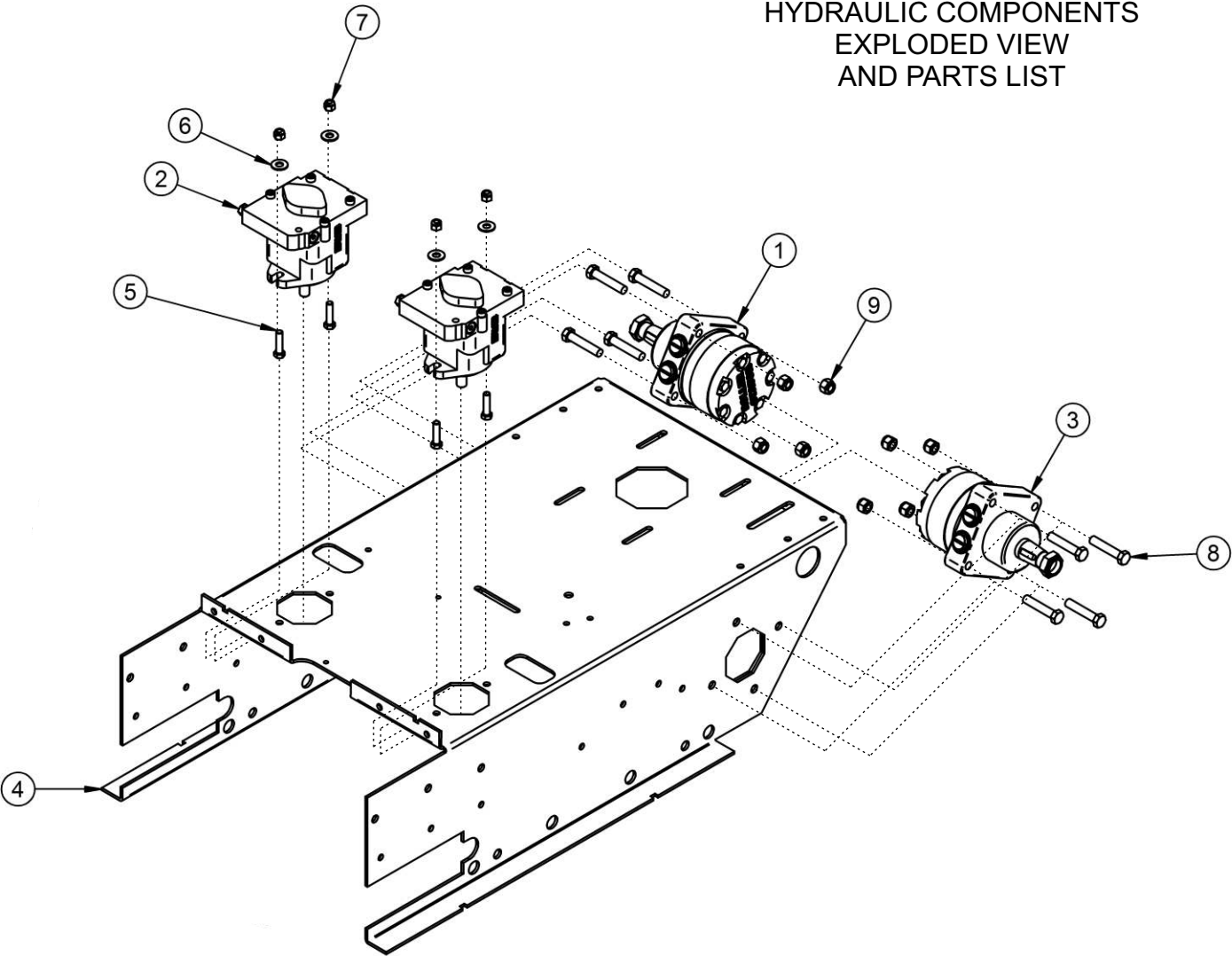
Item#	Part#	Title	Quantity
1	K1442	BALL JOINT 5/16"-24 RH THD.	1
2	TBB2-0051	FRS PIVOT BLOCK ASSY.	1
3	K0390	BALL JOINT 5/16"-24 LH THD.	1
4	TBB2-0046	FRS ROD	1
5	TBB-0062	CAM LEVER LOCK SCREW	1
6	K0145	10-24 x 1-1/2" MACHINE SCREW	1
7	K0391	10-24 HEX NUT	1

CHASSIS COMPONENTS
EXPLODED VIEW
AND PARTS LIST



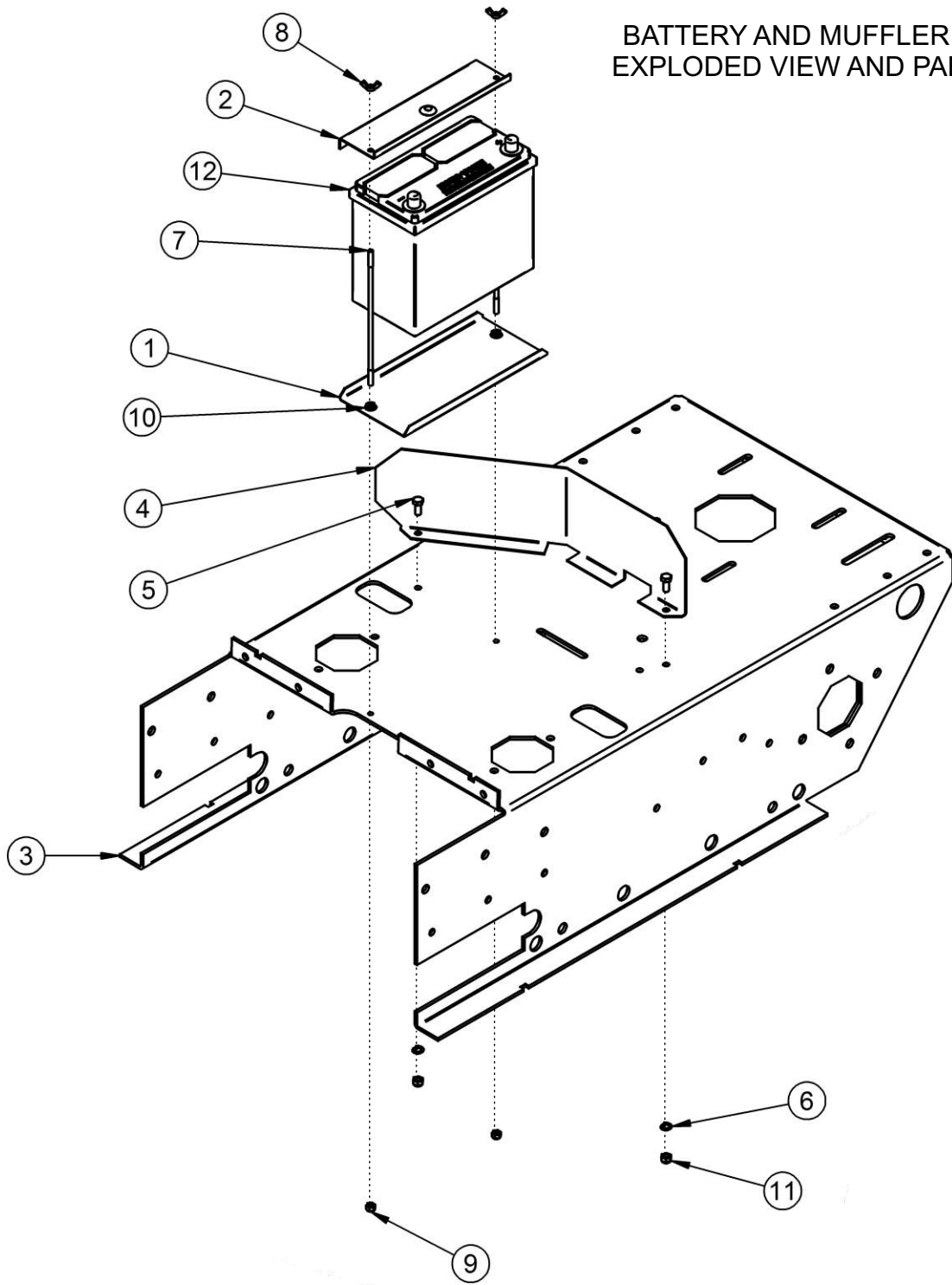
Item#	Part#	Title	Quantity	Item#	Part#	Title	Quantity
1	TBB-0250	C. SHAFT ASSY.	1	9	K1191	3/8"-16 x 1" HHCS	23
2	TBB-0010	CHASSIS LOWER PAN	1	10	K0047	3/8" FLAT WASHER 1.00 OD x .446 ID x .075 T	4
3	TBB-0233	LWR. C. SHAFT MNT.	1	11	K1232	1/2-13 HHCS X 1-1/4	6
4	TBB-0129	CHASSIS ASSY.	1	12	K1247	1/2"-13 NYLOC NUT	6
5	TBB2-0047	TOWER ASSY.	1	13	K0048	3/8" LOCK WASHER	10
6	TBB-0206	CLUTCH PULLEY MNTG. BRKT.	1	14	K0296	3/8"-16 TINNERMAN NUT	4
7	TBB-0108	CHASSIS REAR GUARD	1				
8	K1216	3/8"-16 NYLOC NUT	22				

HYDRAULIC COMPONENTS EXPLODED VIEW AND PARTS LIST



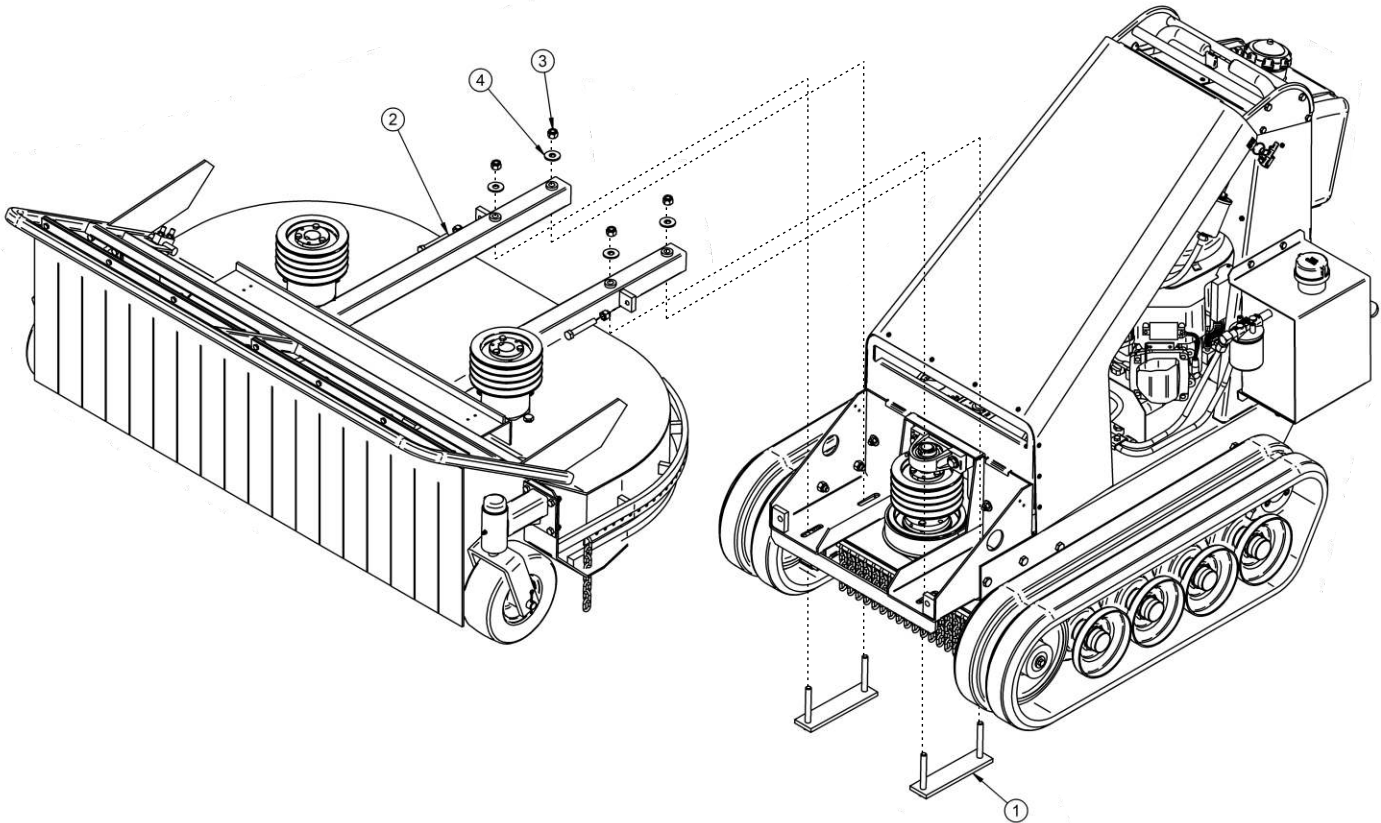
Item#	Part#	Title	Quantity
1	U0070	RIGHT HYDRO MOTOR - 501	1
2	U0032	HYDRO PUMP	2
3	U0069	LEFT HYDRO MOTOR - 500	1
4	TBB-0129	CHASSIS ASSY.	1
5	K1337	3/8"-16 x 2-1/4" HHCS	4
6	K0047	3/8" FLAT WASHER 1.00 OD x .446 ID x .075 T	4
7	K1216	3/8"-16 NYLOC NUT	4
8	K1317	1/2"-13 x 2-1/4" HHCS	8
9	K1247	1/2"-13 NYLOC NUT	8

BATTERY AND MUFFLER GUARD EXPLODED VIEW AND PARTS LIST



Item#	Part#	Title	Quantity	Item#	Part#	Title	Quantity
1	TBB-0274	BATTERY MNT. PLATE	1	7	K0310	BATTERY HOLD DOWN BOLT	2
2	TBB-0031	BATTERY HOLD DOWN BRKT.	1	8	K1129	1/4"-20 WING NUT	2
3	TBB-0129	CHASSIS ASSY.	1	9	K1128	1/4"-20 NYLOC NUT	2
4	TBB-0268	MUFFLER GUARD	1	10	K1126	1/4"-20 FLANGE NUT	2
5	K1153	5/16"-18 x 3/4" HHCS	2	11	K1180	5/16"-18 NYLOC NUT	2
6	K0043	5/16" LOCK WASHER	2	12	K0085	BATTERY	1

DECK TO CHASSIS
EXPLODED VIEW
AND PARTS LISTS



Item#	Part#	Title	Quantity
1	TBB2-0018	DECK MNTG. PLATE ASSY.	2
2	K1036	1/2"-13 x 3" ALL THREAD HHCS	2
3	K1247	1/2"-13 NYLOC NUT	6
4	K0055	1/2" FLAT WASHER 1.383 OD x .560 ID x .120 T	4

NOTES



**P.O. BOX 1197
ARDEN, NORTH CAROLINA 28704
(800) 438-5823 OR (828) 684-1234 FAX: (828) 684-0858
EMAIL: peco@lawnvac.com
WEBSITE: www.lawnvac.com**

Free Manuals Download Website

<http://myh66.com>

<http://usermanuals.us>

<http://www.somanuals.com>

<http://www.4manuals.cc>

<http://www.manual-lib.com>

<http://www.404manual.com>

<http://www.luxmanual.com>

<http://aubethermostatmanual.com>

Golf course search by state

<http://golfingnear.com>

Email search by domain

<http://emailbydomain.com>

Auto manuals search

<http://auto.somanuals.com>

TV manuals search

<http://tv.somanuals.com>