

RMA429

Rack Mount Kit

Installation/Operation

Manual C979M (1/93)

1.0 WARNINGS

Prior to installation and use of this product, the following WARNINGS should be observed.

1. Installation and servicing should only be done by Qualified Service Personnel and conform to all Local codes.
2. Unless the unit is specifically marked as a NEMA Type 3, 3R, 3S, 4, 4X, 6, or 6P enclosure, it is designed for indoor use only and it must not be installed where exposed to rain and moisture.
3. Use only installation methods and materials capable of supporting four (4) times the maximum specified load.
4. Only use replacement parts recommended by Pelco.

Please thoroughly familiarize yourself with the information in this manual prior to installation and operation.

2.0 SCOPE

The information within this manual covers the installation of the RMA429 Rack Mount Kit.

3.0 DESCRIPTION

The RMA429 Rack Mount Kit is designed to provide rack mounting for single or dual Sanyo VM4509 and HR4512 9" (22.86 cm) monitors.

This versatile rack will fit any standard 19 inch (48.26 cm) wide console or rack configuration.

Pelco • 300 W. Pontiac Way, Clovis, CA 93612-5699 • USA • (800) 289-9100 or (1-209) 292-1981
FAX (800) 289-9150 or (1-209) 292-3827 • DataFAX (800) 289-9108 or (1-209) 292-0435
International customers call (1-209) 292-1981 or FAX (1-209) 348-1120

4.0 INSTALLATION

1. Remove rubber feet on bottom of monitor.
2. Install monitor through rear of rack and align holes in bottom of monitor with mounting holes in rack.
3. Use hardware from rubber feet to mount monitor to rack.
4. Install rack and monitor as an assembly into console and make any required electrical connections.
5. Hold into place, aligning mounting holes of the RMA429 with mounting holes in console, and insert and tighten required fasteners (not supplied). If only a single monitor is used, install cover plate up against window frame and then insert fasteners and tighten.

5.0 SPECIFICATIONS

Dimensions: See Figure 1

Construction: 16-gauge steel

Weight: 5.56 lbs (2.50 kg)

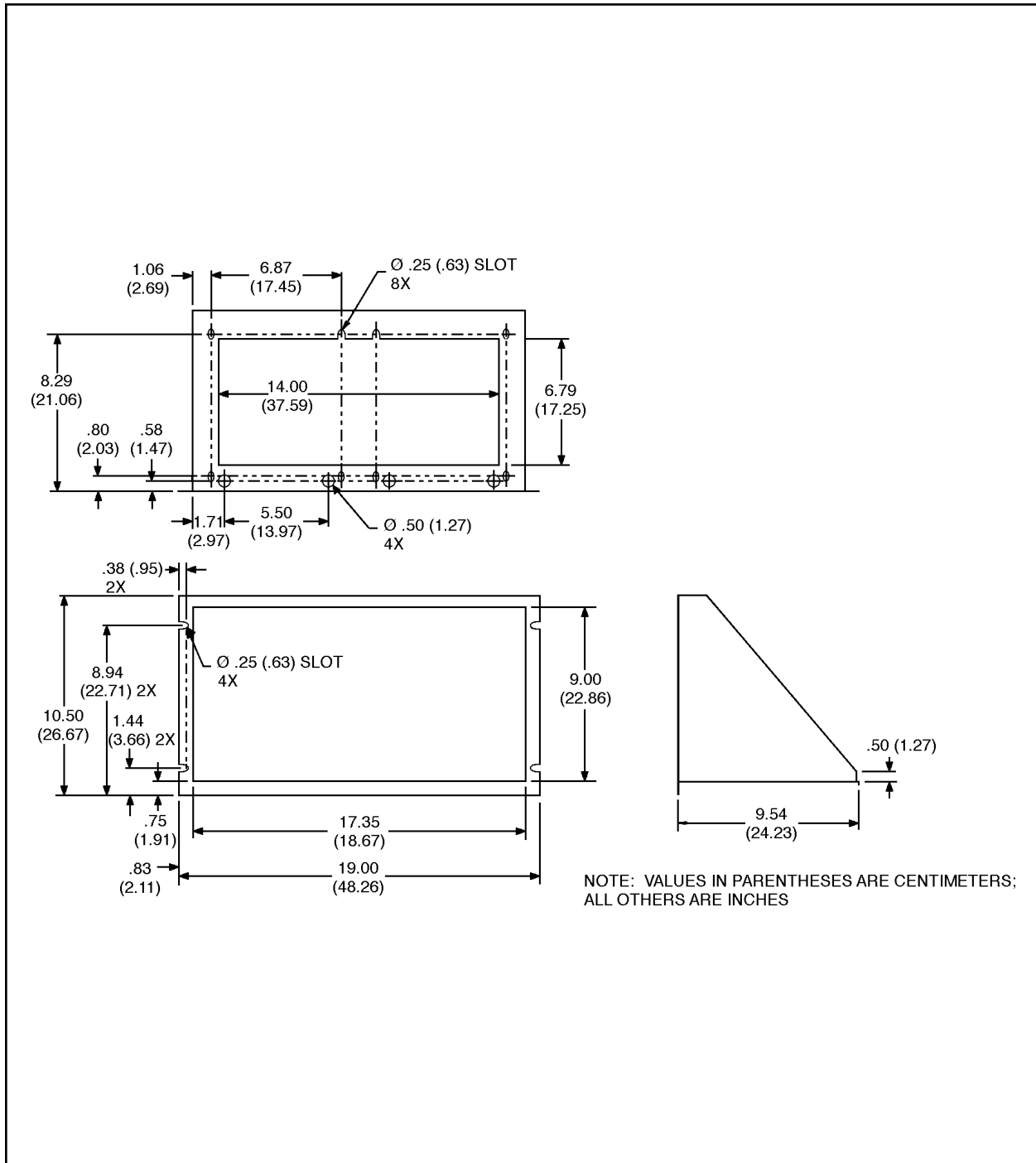


Figure 1. RMA429 Dimension Drawing

6.0 WARRANTY AND RETURN INFORMATION

WARRANTY

Pelco will repair or replace, without charge, any merchandise proved defective in material or workmanship for a period of one (1) year after the date of shipment. Exceptions to this warranty are as noted below:

- Two (2) years on all standard motorized and fixed focal length lenses.
- Two (2) years on Legacy®, Intercept®, CM8500/CM9500/CM9750 Matrix and DF8 Fixed Dome products.
- Two (2) years on WW5700 series window wiper (excluding wiper blades).
- Two (2) years on cameras.
- Six (6) months on all pan and tilts, scanners or preset lenses used in continuous motion applications (e.g., preset scan, tour and auto scan modes).

Pelco will warranty all replacement parts and repairs for 90 days from the date of shipment. All goods for warranty work shall be sent freight prepaid to our Clovis, California facility. Repairs made necessary by reason of misuse, alteration, normal wear, or accident are not covered under this warranty. Pelco is not liable for any incidental or consequential expenses or liability incurred by the customer as a result of field repair, installation, or any other reason.

The above warranty is in lieu of any other expressed or implied warranty, condition, or guarantee by Pelco of the equipment listed herein. Pelco makes no warranties except for intended use and will not be liable for any loss, damage, or costs arising, whether consequential or incidental, from the use of said merchandise.

This warranty gives you specific legal rights. You may also have additional rights, which are subject to variation from state to state.

If a warranty repair is required, contact Pelco at **(800) 289-9100** or **(209) 292-1981** for a Repair Authorization number (RA), and provide the following information:

1. Model and serial number
2. Date of shipment, P.O. number, Sales Order number, or Pelco invoice number
3. Details of the defect or problem

If there is a dispute regarding the warranty of a product which does not fall under the warranty conditions stated above, please include a written explanation with the product when returned.

Ship freight prepaid to: Pelco
300 West Pontiac Way
Clovis, CA 93612-5699

Method of return shipment shall be the same as method by which the repair item is received by Pelco.

RETURNS

In order to expedite parts returned to the factory for repair or credit, please call the factory at **(800) 289-9100** or **(209) 292-1981** to obtain an authorization number (CA number if returned for credit, and RA number if returned for repair). Goods returned for repair or credit should be clearly identified with the assigned CA/RA number and freight should be prepaid. All merchandise returned for credit may be subject to a 20% restocking and refurbishing charge.

Ship freight prepaid to: Pelco
300 West Pontiac Way
Clovis, CA 93612-5699

Free Manuals Download Website

<http://myh66.com>

<http://usermanuals.us>

<http://www.somanuals.com>

<http://www.4manuals.cc>

<http://www.manual-lib.com>

<http://www.404manual.com>

<http://www.luxmanual.com>

<http://aubethermostatmanual.com>

Golf course search by state

<http://golfingnear.com>

Email search by domain

<http://emailbydomain.com>

Auto manuals search

<http://auto.somanuals.com>

TV manuals search

<http://tv.somanuals.com>