

53DS900077
53DS900078

DUCT-FREE SYSTEMS

Wall Mounting Kit Accessory

Size 018-060 Cooling-Only and Heat Pump Units

Installation Instructions

GENERAL

These instructions cover the installation of the accessory wall mounting kit. The kit is provided for mounting cooling only, multi-split, and heat pump units to a wall due to space limitations.

IMPORTANT: Read these installation instructions thoroughly BEFORE starting installation.

Refer to Table 1 for kit contents and usage.

Table 1—KIT CONTENTS AND USAGE

MOUNTING KIT PART NUMBER	USAGE	KIT CONTENTS*
53DS900077	All 018, 024 Sizes Plus 38HDF/538E-F 030 38QRF/638Q-F030	2 – Long Bracket Section
		2 – Horizontal Bracket Section
		2 – Angled Bracket Section
		6 – Wall Lag Bolts
		6 – Lag Bolt Washers
		6 – Wall Lag Bolt Shields (Anchors)
53DS900078	All Else 030 – 060	4 – Mounting Feet Bolts (1 in.)
		4 – Mounting Feet Locknuts
		10 – Bracket Assy. Locknuts
		10 – Bracket Assy. Bolts (1/2 in.)
		10 – Bracket Assy. Lockwashers


*The contents for both kits are the same; however, the items are different sizes for specific applications.

SAFETY CONSIDERATIONS

Installation of this equipment can be hazardous due to system pressures, electrical components and equipment location. Only trained, qualified installers and service technicians should install, start up and service this equipment. Observe all applicable precautions.

Improper installation, adjustment, alteration, service, maintenance, or use can cause explosion, fire, electrical shock, or other conditions which may cause personal injury or property damage. Consult a qualified installer, service agency, or your distributor or branch for information or assistance. The qualified installer or agency must use factory-authorized kits or accessories when modifying this product. Refer to the individual instructions packaged with kits or accessories when installing.

Follow all safety codes. Wear safety glasses and work gloves. Use quenching cloth for brazing operations. Have fire extinguisher available. Read these instructions thoroughly and follow all warnings or cautions attached to the unit. Consult local building codes and National Electrical Code (NEC) for special requirements.

Recognize safety information. This is the safety-alert symbol . When you see this symbol on the unit and in instruction manuals, be alert to the potential for personal injury.

Understand the signal words DANGER, WARNING, CAUTION, and NOTE. These words are used with the safety-alert symbol. DANGER identifies the most serious hazards which **will** result in severe personal injury or death. WARNING signifies hazards which **could** result in personal injury or death. CAUTION is used to identify unsafe practices which **may** result in minor personal injury or product and property damage. NOTE is used to highlight suggestions which **will** result in enhanced installation, reliability, or operation.



WARNING

ELECTRICAL SHOCK HAZARD

Failure to follow this warning could result in personal injury or death.

Before installation, always check to be sure main power to system is OFF.

INSTALLATION

1. Unpack accessory from carton. Check to be sure contents are not damaged or missing. See Table 1.
2. Select mounting location on the wall. The location must allow for use of wall studs for mounting security. Check local building codes and building construction to ensure that there is adequate wall strength to support the mounted unit. The location must also allow for condensate drainage from the unit. Be sure this drainage does not cause a problem for the area beneath the unit.

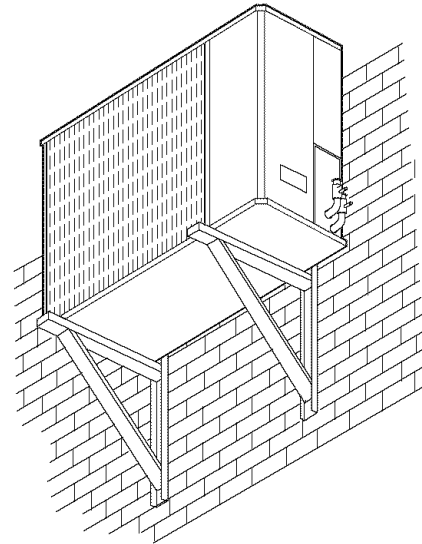
IMPORTANT: Ensure that the unit will be mounted at least 6 in. from the wall for proper airflow. Also ensure that there will be at least 6 in. of airflow clearance on the coil end and 18 in. on the compressor end for service access.

IMPORTANT: Do not drill new holes in the bracket assembly in order to move the unit closer to the wall.

3. Use the enclosed long bracket sections as a template for marking the mounting kit location on the wall. Both long bracket sections must line up with the middle and coil end mounting feet of the unit. See Fig. 1.

4. Drill 6 mounting holes in marked-off locations on the wall. For wood wall mounting, drill 5/16-in. diameter holes. For masonry wall mounting, drill 5/8-in. diameter holes and insert 3/8-in. steel shields (anchors).
5. Assemble the bracket sections as shown in Fig. 2, using bracket assembly bolts, lockwashers and bracket assembly locknuts. Do not tighten the bracket assembly bolts until the assembled kit is mounted on the wall. Mount the bracket assembly to the wall as shown in Fig. 2, using the 6 wall lag bolts and washers provided. Once mounted, tighten the bracket assembly bolts securely at all six mounting locations.
6. Check that all bracket assembly sections are secure.

NOTE: For 38BN units only, a rubber spacer is provided to fill space in the wall bracket channel underneath the mounting feet. See Fig. 3.



NOTE: Unit must be at least 6 in. from wall.

D06006

Fig. 1 – Typical Installation

⚠ CAUTION

EQUIPMENT DAMAGE HAZARD

Failure to follow this caution may result in equipment and/or property damage.

To avoid damage to the wall or unit, check to be sure that all accessory parts are fastened tightly before mounting the unit on the wall brackets.

7. Mount the unit on the wall brackets using the 1-in. mounting feet bolts and mounting feet locknuts provided. Tighten with the mounting feet locknuts. Use 2 bolts on the coil end of the unit, and 2 bolts beneath the compressor section. See Fig. 2.

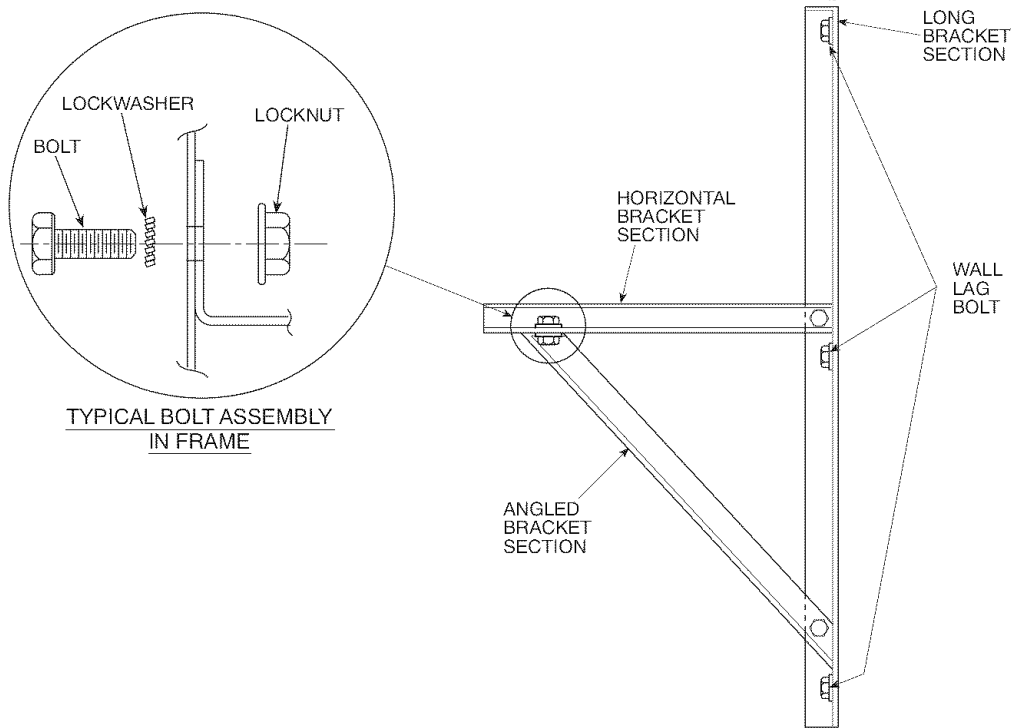


Fig. 2 – Assembled Mounting Kit (One Section)

D06007

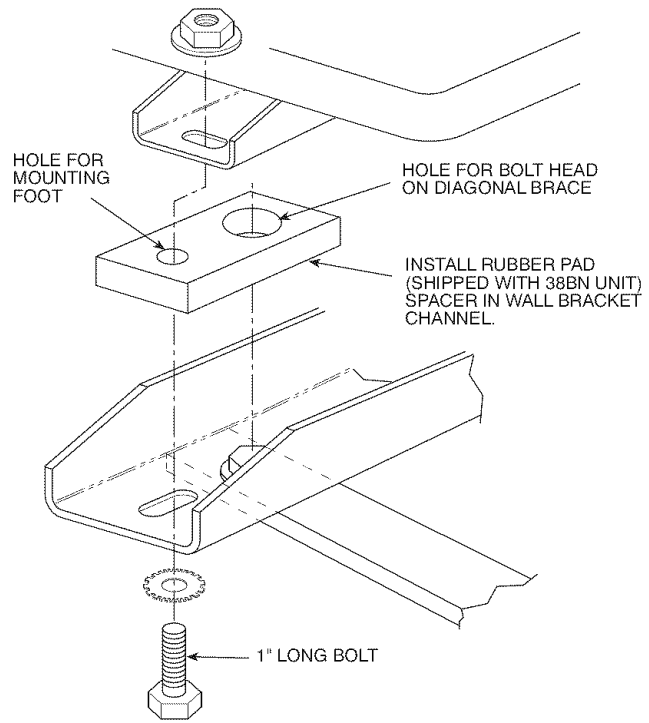


Fig. 3 – 38BN Units Only

D06008

Free Manuals Download Website

<http://myh66.com>

<http://usermanuals.us>

<http://www.somanuals.com>

<http://www.4manuals.cc>

<http://www.manual-lib.com>

<http://www.404manual.com>

<http://www.luxmanual.com>

<http://aubethermostatmanual.com>

Golf course search by state

<http://golfingnear.com>

Email search by domain

<http://emailbydomain.com>

Auto manuals search

<http://auto.somanuals.com>

TV manuals search

<http://tv.somanuals.com>