



# INSTRUCTION SHEET

## ASSEMBLY OF CAR-TOP CARRIER

### MODEL 300.7271 (18 CU. FT.)

#### PARTS LIST

DESCRIPTION	PART NO.	QUAN.
Hardshell Top (18 cu. ft.)	N/A	1
Hardshell Bottom	N/A	1
Master Parts Bag	04870	1

#### MASTER PARTS BAG 04870

Camlock with Keys	03807	(R)	2
Lock Bracket	00841	(M)	2
Lock Locator	03808	(S)	2
Snap Latch	03347	(P)	2
Support Assembly	03810	(O)	2
Foam Gasket	01315	(A)	1
Instruction Sheet	04857		1
Small Parts Bag	04864		1

#### SMALL PARTS BAG 04864

Large Flat Washer	00070	(G)	8
1/4" Flatwasher	00017	(H)	2
Small Flat Washer	03668	(B)	4
1/4" x 20 Plastic Insert Nut	00115	(J)	10
1/4" x 20 x 5/8" Screw	04103	(E)	6
1/4" x 20 Universal Drive Screw	03948	(F)	4
#10-24 x 5/8" Screw	01010	(D)	4
#10-24 Plastic Insert Nut	00764	(I)	4

PRE-ASSEMBLED ON CARRIER AT FACTORY.

Hinge	03396	(L)	2
-------	-------	-----	---

#### PARTS AVAILABLE

Save this instruction sheet for future reference when ordering replacement parts. Refer to Model 300.7271. Replacement parts are available through Sears Parts Department.

**(800) 366-7278**

#### IMPORTANT - MUST READ BEFORE ASSEMBLING

Before assembling and installing the carrier please carefully read the guidelines for installation and use of the carrier below. Proper assembly and installation of the carrier is the customer's responsibility. The manufacturer's warranty is limited to the repair or replacement of a defective carrier. Damage to the vehicle, the carrier's contents, or to any person or property is excluded.

**No more than 100 pounds of evenly distributed weight should ever be transported in the carrier.**

Do not travel with an empty carrier at speeds over 40 MPH. Keep a minimum of 50 lbs. in the carrier at higher speeds to avoid undesirable wind effects. **It is recommended to remove carrier from vehicle when not in use.**

All carrier hardware and straps must be firmly attached. When traveling, periodically check all hardware and straps to assure it is fastened securely. Each time the carrier is installed check hardware and straps for sign of corrosion or excessive wear.

**When using carrier the front and rear back latches must be closed, and the two locks must be locked and the keys removed. Then locking carrier be sure latches on upper hardshell are engaging brackets on lower hardshell before turning key. Top hardshell will not pull up from lower hardshell when carrier is properly locked.**

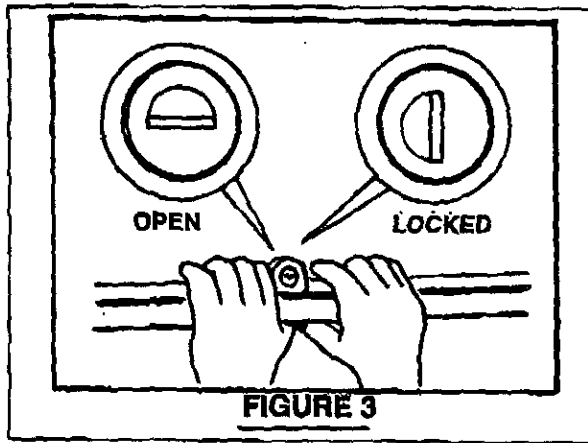
The carrier is water resistant, not waterproof. Always protect contents accordingly.

Do NOT place valuable or fragile items in the carrier. Sudden stops may cause contents to shift, possible damaging valuable or fragile items. The carrier is not designed to be accident or theft proof. The manufacturer and retailer cannot be held responsible for damage to or theft of carrier's contents.

#### - INSTALLATION OPTIONS -

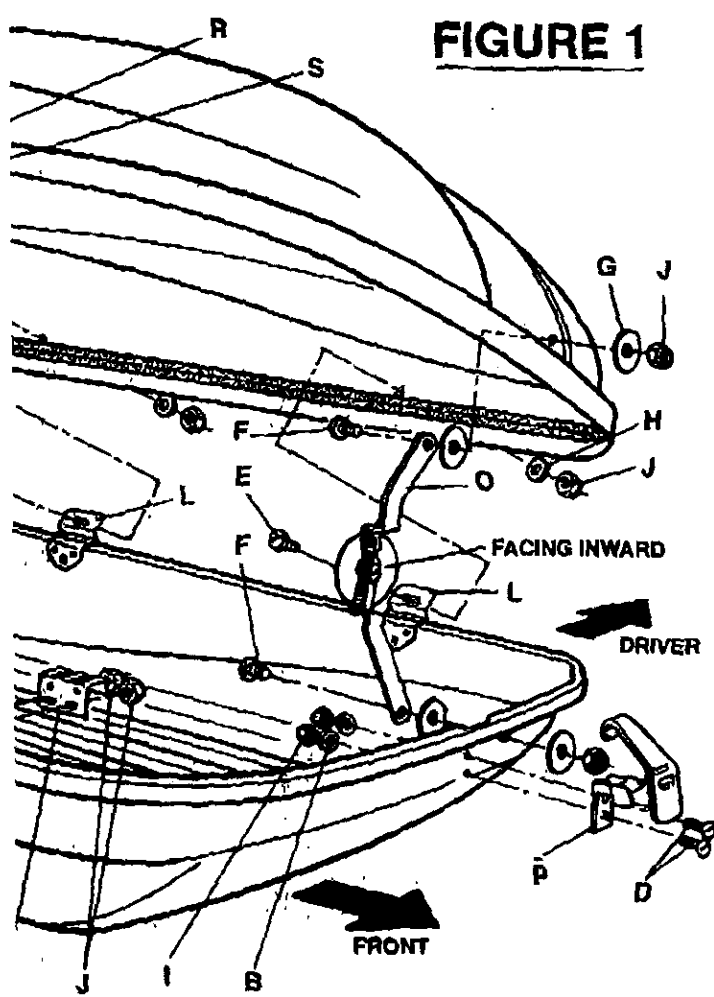
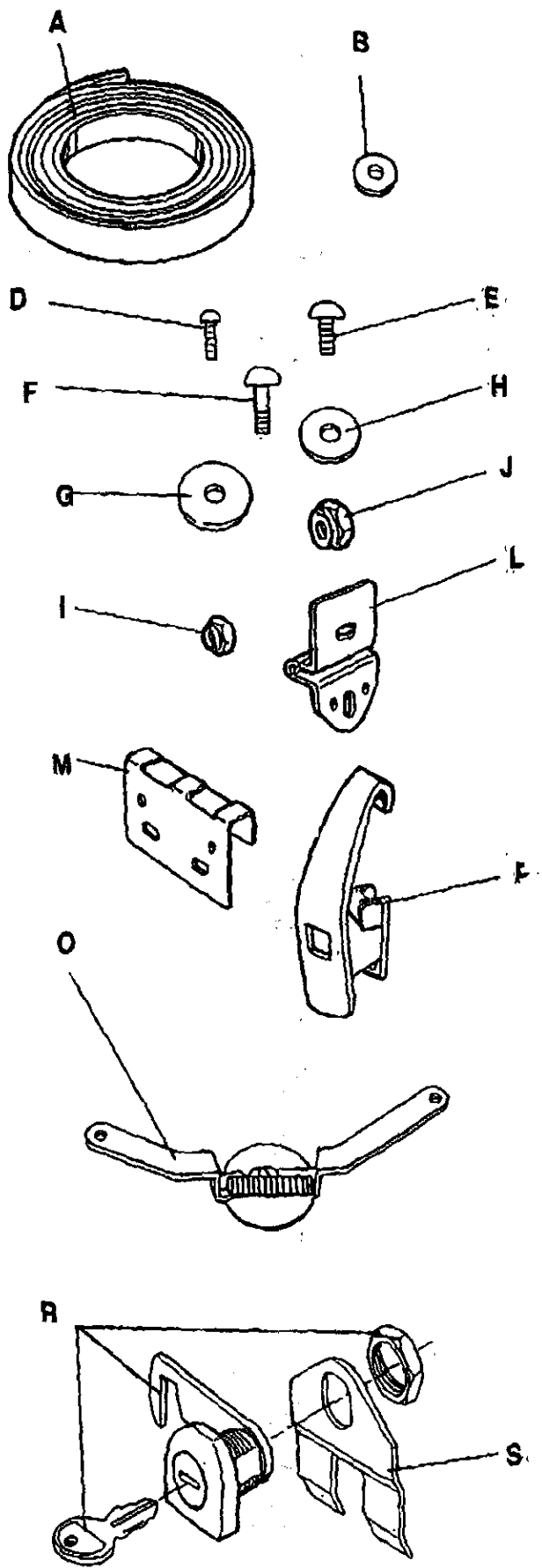
- If you intend to attach the Carrier to a vehicle by using mounting hooks, both the mounting hooks and 7228 strap kit are purchased separately. See Application Chart on store display for specific vehicle fitment.

- If you intend to attach the Carrier to a vehicle with a factory installed or aftermarket roof rack, you must purchase the U-Bolt Kit #7215 separately. See application Chart on store display for specific vehicle fitment. Roof racks must have a capacity of at least 150 lbs. Consult your owner's manual for capacity



Check that latches are engaging brackets. Top should not lift up when pulled. All locking devices must be engaged (and keys removed) whenever the vehicle is in motion.

**ASSEMBLY COMPONENTS**



## TOP ASSEMBLY

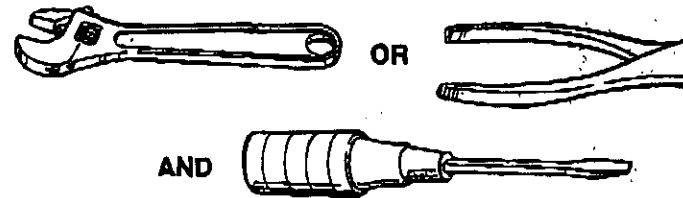
1. Attach foam weather stripping (A) to inside of Carrier top; as shown in figure 1 and detail. DO NOT CUT! Roll out in one piece and trim excess.

## ASSEMBLING TOP TO BOTTOM

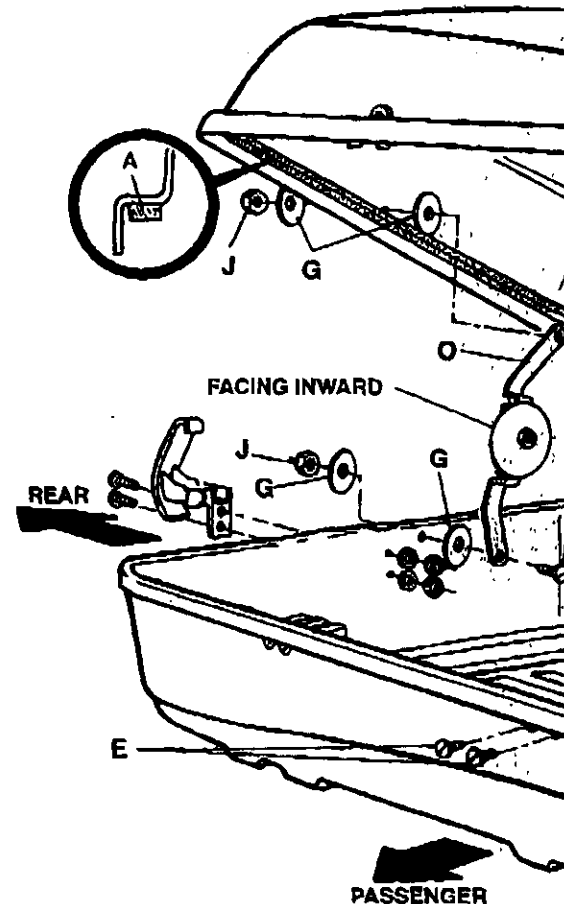
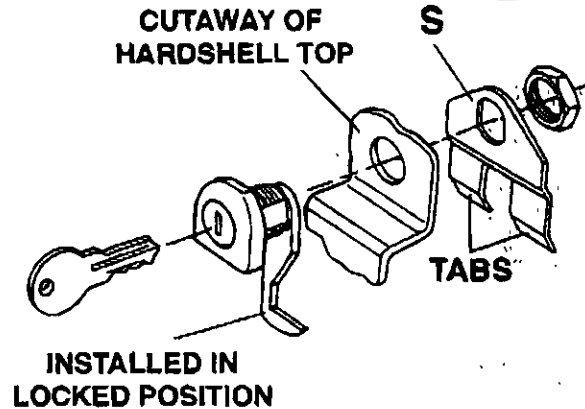
2. While someone holds the top, align the slot in the hinges (L) on the Carrier bottom with the Carrier top and attach medium screws (E), medium flatwashers (H) and large plastic insert nuts (J). Do not fully tighten at this time. Turn carrier upside down and position top to the bottom with the same spacing in front and rear of carrier. Tighten screws.
3. While someone holds the top in an open position, attach the support assemblies (O) (Note proper positioning as shown in figure 1) with the 2 large screws (F), 4 large flatwashers (G) and 2 large plastic insert nuts (J). Tighten screws until snug. Note: White round plastic protectors in the center of the support assemblies should be facing inward as shown in figure 1.
4. Attach front and back snap latches (P) to bottom with 4 small screws (D), small flatwashers (B) and small plastic insert nuts (I).
5. Install lock assemblies (R) as shown in figure 2. Note: The locks need to be in the "locked" position for assembly to the carrier top and for assembly of the lock locators. Remove key to prevent movement of lock hook. Lock locator (S) tabs should be pointing toward the inside of the carrier.
6. Attach lock brackets (M) to Carrier bottom on passenger side with medium screws (E) and large plastic insert nuts (J). Use lower slots in lock brackets. Do not fully tighten.
7. Check lock assembly alignment by closing and locking the Carrier to check for correct fit. If they align and lock properly, open the Carrier and tighten the hinge (L) hardware and the lock bracket (M) hardware. If they do not align and lock properly, adjust both hinges and lock hardware until they align and lock. Once they are properly aligned, tighten both the hinges and lock bracket hardware.
8. To close Carrier, make sure the locks are in the open (horizontal) position with the key removed and pull Carrier top downward from both ends.
9. To lock Carrier, insert key, pull down on flange and turn key to the locked position (vertical). See figure 3. Place snap latches into top flange depressions and push front of snap latches down until they engage. **For safety, the Carrier locks (R) must be properly engaged whenever the vehicle is in motion.**

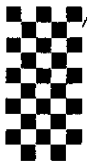
**Note:** Some distortion of the plastic top may occur in shipping or improper storage. It may be necessary to reshape the hardshell top over the hardshell bottom by pressing in on the top flange against the bottom flange all around the Carrier and locking the Carrier. Within 48 hours the top and bottom will reshape and fit together more readily. The Carrier can be used during this reshaping period.

## TOOLS REQUIRED



## FIGURE





# SEARS 4-Door Vehicle Instruction Sheet

MOUNTING WITH STRAP KIT # 7228

Used with Model 300.7271 (18 cu.ft.)

## Strap Kit Contents

DESCRIPTION	PART NO.	QUAN	
Gray Straps - 42"	00286	4	(A)
*Black Straps - 48"	04865	2	(B)
Strap Bracket	04866	4	(C)
*Slide Bracket	04867	2	(D)
Sponge Foot Pads	00264	16	(E)
Gray Bolt Covers	02985	8	(F)
Hardware Bag	04872	1	
Instruction Sheet	04868	1	

(\*) Reflects parts not used with mounting to 4-Door vehicles

### Mounting Instructions for 4 Door Sedans

1. Turn assembled carrier upside down and place foot pads (E) on the raised section of the inverted carrier bottom as shown in Figure 1.
2. Attach strap brackets (C) to bottom of carrier with screws, large washers, and large plastic insert nuts. See Figure 2. Place Gray bolt covers (F) over bolts attaching the strap brackets (C) on the inside of the carrier bottom to prevent possible damage to contents. Note: plastic insert nuts are meant to hold very securely. Screws cannot be tightened by hand, they must be driven through with a screwdriver and pliers or adjustable wrench.
3. Route gray straps (A) through the strap brackets and mounting hook as shown on Figure 3.
4. Center carrier on roof. **NOTE: WIPE CLEAN AREA OF ROOF UNDER FOOT PADS.**
5. Put mounting hooks over external gutter or beneath door frame. Pull bottom portion of loops towards you to center the carrier and to tighten. See Figure 4. When tight, pull strap end toward carrier. To prevent flapping, wrap straps around buckle area and tie off loose ends.
6. Mounting straps should be retightened after carrier is loaded and periodically checked for tightness when traveling. **FOR SAFETY, THE CARRIER LOCKS MUST BE PROPERLY ENGAGED AND THE FRONT AND REAR BLACK LATCHES CLOSED WHENEVER THE VEHICLE IS IN MOTION.**

Save this Instruction sheet for future reference.  
Replacement parts are available through Sears Parts Department, 800-366-7278

Figure 1

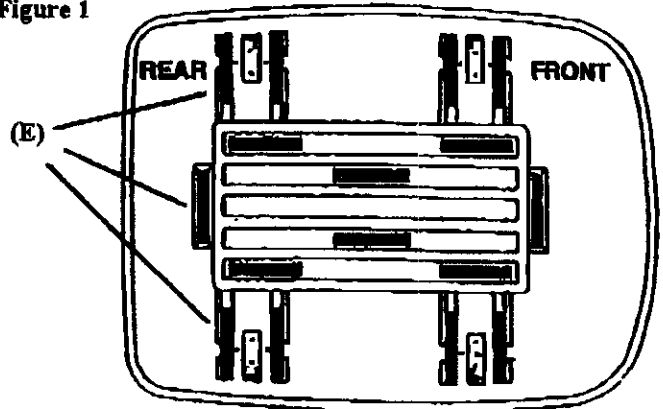


Figure 2

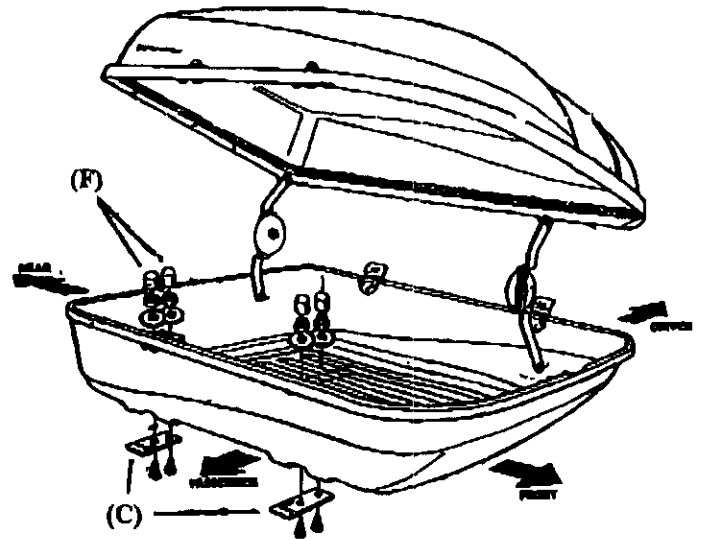


Figure 3

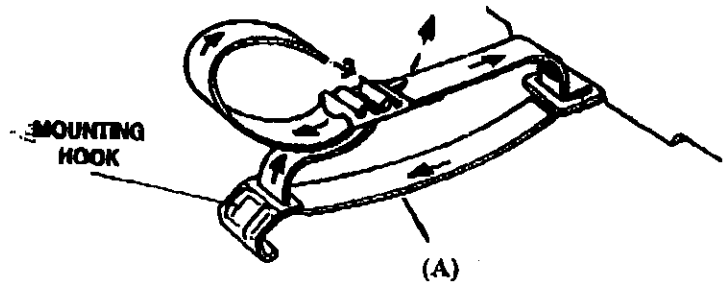
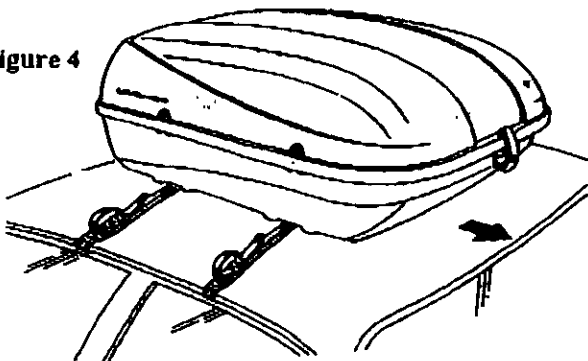


Figure 4



## LIMITED WARRANTY

The warranty is limited to (1) year from the date of purchase. Manufacturer's warranty obligation is exclusively limited to the replacement or repair, at Manufacturer's sole discretion, of any Car-Top Carrier (the "Carrier") that the Manufacturer finds to be defective in material or workmanship. If the Purchaser believes the Carrier to be defective, Purchaser must return the Carrier within the (1) year warranty period, with receipt of the original sale, to the place of purchase.

Manufacturer will have no warranty obligation for normal wear and tear of a Carrier or if you fail to properly attach the Carrier to the roof of your vehicle. No warranty is given if the Carrier is subjected to abuse, misuse, negligence, accidents or alterations.

*The warranty printed above is the only express warranty by Manufacturer applicable to this purchase. The implied warranties of merchantability and fitness for a particular purpose are also limited to (1) year from the date of purchase. It is understood and agreed that manufacturer's liability, whether in contract, in tort, under any warranty, in negligence, or otherwise, shall not exceed the return of the amount of the purchase price paid by purchaser and under no circumstances shall manufacturer be liable for special, indirect, or consequential damages.*

(Some states do not allow limitations on how long an implied warranty will last or the exclusion or limitation of incidental or consequential damages, so the above limitations or exclusions may not apply to you.)

## LOST KEYS

Most Sears Auto Centers have lock accessory kits available containing two locks, two keys, and mounting hardware. If just replacement or additional keys are needed, call 1-800-527-7483 with the four digit number stamped on the lock. Two keys will be mailed to you for \$5.00.

Allow two weeks for delivery.



## DON'T LET DIRT DAMAGE YOUR VEHICLE!

Dirt and dust scratch paint! To prevent damage to your vehicle's finish, it is strongly recommended that your Carrier be removed when not in use. If prolonged use is anticipated, or dusty conditions exist, Carrier must be removed to clean surfaces that come in contact with the Carrier.

## STORAGE

*To avoid distortion when storing, close and latch. Do not store items on top of carrier.*

## Free Manuals Download Website

<http://myh66.com>

<http://usermanuals.us>

<http://www.somanuals.com>

<http://www.4manuals.cc>

<http://www.manual-lib.com>

<http://www.404manual.com>

<http://www.luxmanual.com>

<http://aubethermostatmanual.com>

Golf course search by state

<http://golfingnear.com>

Email search by domain

<http://emailbydomain.com>

Auto manuals search

<http://auto.somanuals.com>

TV manuals search

<http://tv.somanuals.com>