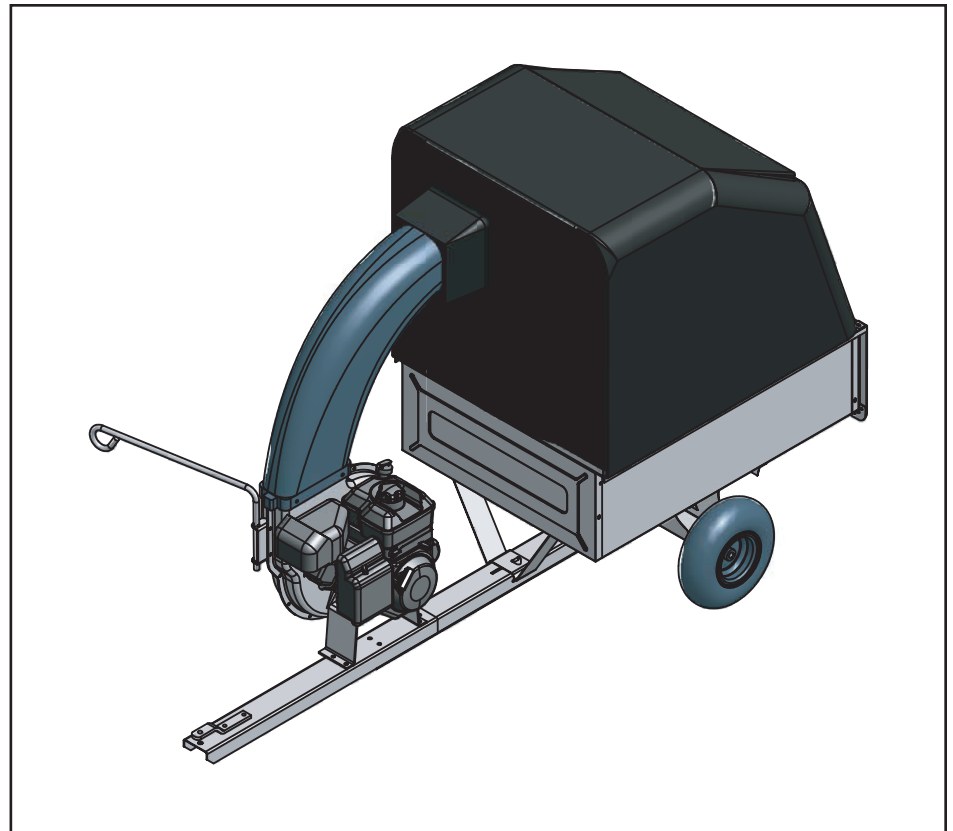




OWNERS MANUAL

**Model No.
45-04071**



5.5 HP MOW-N-VAC

CAUTION:
Read Rules for
Safe Operation
and Instructions
Carefully

- **Safety**
- **Assembly**
- **Operating**
- **Maintenance**
- **Repair Parts**

SpeedPart *the fastest way to purchase parts* www.speedepart.com

SAFETY RULES

Remember, any power equipment can cause injury if operated improperly or if the user does not understand how to operate the equipment. Exercise caution at all times when using power equipment.



Look for this symbol to point out important safety precautions. It means — Attention!! Become alert!! Your safety is involved.

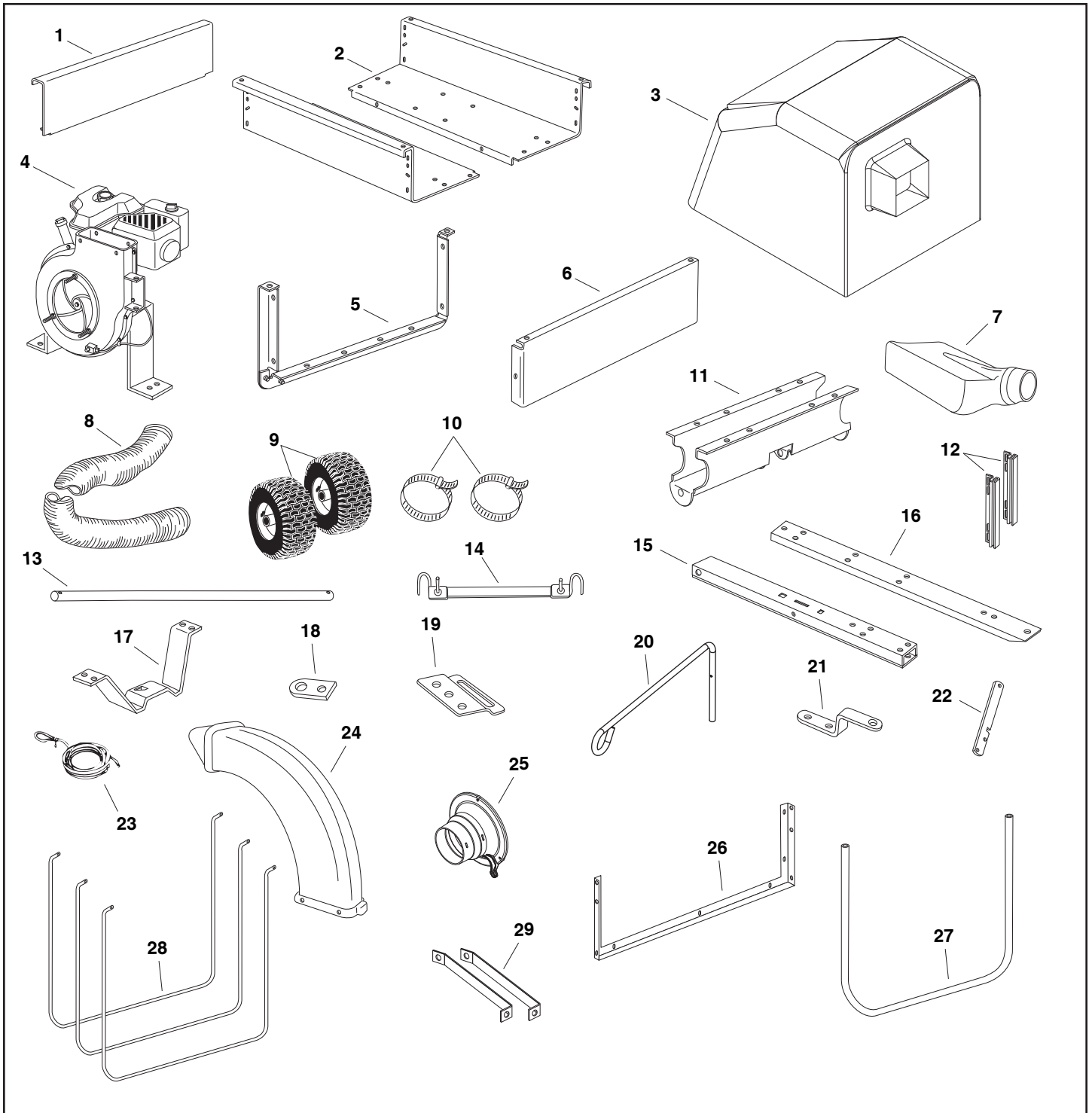
- Read and follow all instructions in this manual before attempting to assemble or operate this equipment. Failure to comply with these instructions may result in personal injury. Keep this manual in a safe place for future reference and for ordering replacement parts.
- Read this operating and service instruction manual carefully. Be thoroughly familiar with the controls and proper use of this power vacuum.
- Read the vehicle owners manual and vehicle safe operation rules before using this equipment.
- Never allow children under 16 to operate this Vac System. Children 16 years and older should only operate under close parental supervision.
- Do not allow anyone to operate this equipment without proper instructions.
- Do not allow passengers to ride on this equipment or on the towing vehicle.
- Keep the area of operation clear of others, particularly small children and pets.
- Check fuel before starting engine. Do not fill fuel tank indoors, or while engine is running or hot. Wipe off any spilled fuel before starting engine.
- Engine and muffler get hot. Do not touch! To avoid fire hazard, keep clean of debris and other accumulations.
- Never store Vac System with fuel in tank. Allow engine to cool before storing in any enclosure.
- Do not change engine governor settings.
- Do not operate engine if air cleaner or cover is removed, except for adjustment. Removal of these parts could create a fire hazard.
- Keep hands, feet, face, long hair and clothing out of inlet and discharge area. There are ROTATING BLADES inside these openings.
- Before cleaning, repairing or inspecting, make certain all moving parts come to a complete stop. Disconnect spark plug wire and keep wire away from plug to prevent accidental starting. Keep throttle control lever in stop position.
- If the Vac System should become blocked with debris at any point, shut engine off and wait until the impeller comes to a complete stop before attempting to remove the obstruction. Disconnect spark plug wire to prevent accidental starting.
- If the cutting mechanism strikes a foreign object, or if your Mow-n-vac should start to vibrate abnormally, stop the engine immediately, disconnect the spark plug wire and move the wire away from the spark plug. Allow the machine to stop and take the following steps.
 - a. Inspect for damage.
 - b. Repair or replace any damaged parts.
 - c. Check for loose parts and tighten to assure continued safe operation.
- Check all bolts for tightness at frequent intervals to help insure safe operation.
- Check cart cover frequently for wear. Replace if worn or damaged.
- Never operate Mow-N-Vac unless deck adapter, hose, hose adapter (nozzle), discharge chute (elbow), and cart cover are properly attached in their place.
- Do not remove cart cover or attempt to empty contents of cart while engine is running.
- Never attempt to change hose adapter (nozzle) or to install remote hose attachment when engine is running.
- Keep all shields and guards (e.g. discharge chute (elbow) and hose adapter (nozzle) in place and securely attached.
- Always wear safety glasses or other suitable eye protection when operating or maintaining this equipment.
- Do not stand behind cart in exhaust discharge area while engine is running.
- Do not operate this equipment while intoxicated or while taking drugs or medication that impairs the senses and reactions.
- When using this equipment, start with the vehicle transmission in first (low) gear and then gradually increase speed only as conditions permit.
- Operate this equipment at reduced speed on rough terrain, along creeks and ditches and on slopes to prevent tipping or loss of control. Do not drive too close to a creek or ditch.
- Vehicle braking and stability are affected by the addition of this equipment. Do not fill the Mow-N-Vac to its full capacity without checking the capability of the towing vehicle to safely pull and stop with the Mow-N-Vac attached.
- Before operating on any grade (hill) refer to the safety rules in the vehicle owner's manual concerning safe operation on slopes. Also refer to the SLOPE GUIDE on page 25 of this owner's manual. Do not operate on slopes in excess of 10 degrees. **STAY OFF STEEP SLOPES.**
- Follow the maintenance instructions outlined in this manual.



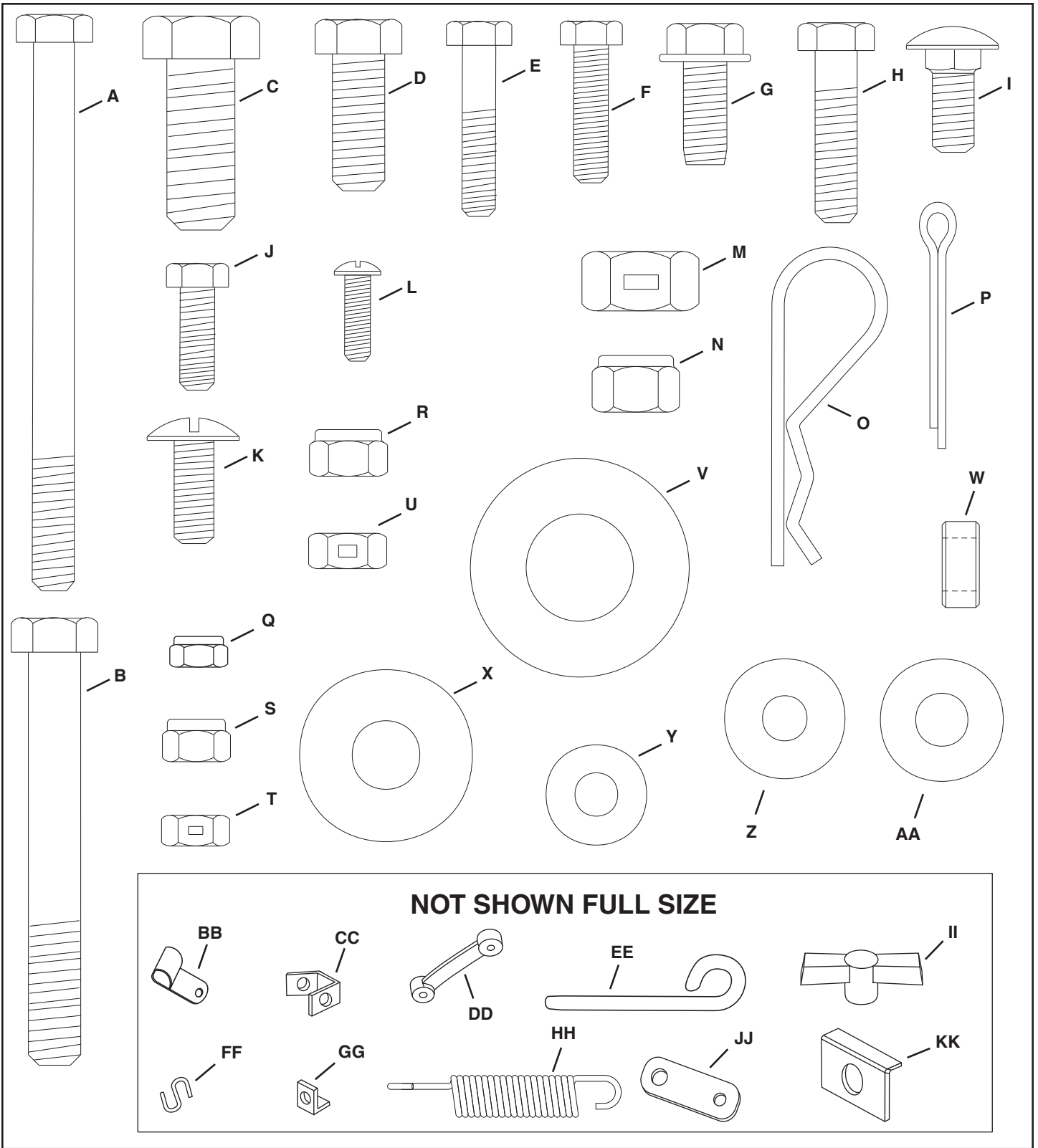
DANGER: This Vac System was built to be operated according to the rules for safe operation in this manual. As with any type of power equipment, carelessness or error on the part of the operator can result in serious injury. This unit is capable of amputating fingers and hands and throwing objects. Failure to observe the following safety instructions could result in serious injury or death.

CARTON CONTENTS (NOT SHOWN FULL SIZE)

- | | | |
|-----------------------------------|-------------------------|---------------------------|
| 1. Tailgate | 11. Wheel Support | 21. Hitch Bracket |
| 2. Cart Body (2) | 12. Tailgate Guide (2) | 22. Latch Lock Lever |
| 3. Cart Cover | 13. Axle | 23. Tailgate Rope |
| 4. Engine | 14. Tarp Strap, 25" | 24. Deflector w/ Elbow |
| 5. Tailgate Reinforcement Bracket | 15. Rear Tongue | 25. Hose Adapter |
| 6. Front Panel | 16. Front Tongue | 26. Top Support Angle |
| 7. Mower Adapter | 17. Latch Stand Bracket | 27. Front Support Tube |
| 8. Hose | 18. Hitch Plate | 28. Lower Support Rod (3) |
| 9. Wheel (2) | 19. Adapter Bracket | 29. Brace (2) |
| 10. Hose Clamp (2) | 20. Hose Hanger Rod | |



CARTON CONTENTS

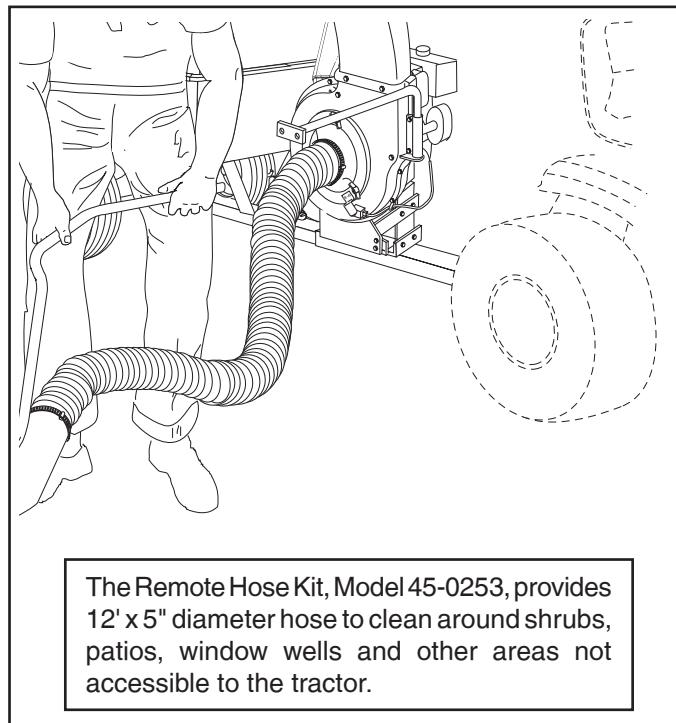


HARDWARE PACK

HARDWARE PACK

REF.	QTY.	DESCRIPTION	REF.	QTY.	DESCRIPTION
A	1	Hex Bolt, 5/16" x 4"	T	8	Lock Nut, 1/4"
B	5	Hex Bolt, 3/8" x 3"	U	1	Lock Nut, 5/16"
C	1	Hex Bolt, 1/2" x 1-1/4"	V	4	Flat Washer
D	4	Hex Bolt, 3/8" x 1"	W	2	Spacer
E	6	Hex Bolt, 1/4" x 1-1/4"	X	1	Washer, 7/16" Std.
F	6	Hex Bolt, 1/4" x 1"	Y	20	Washer, 1/4" Std.
G	4	Hex Bolt, 5/16" x 3/4" (self thread)	Z	9	Nylon Washer
H	2	Hex Bolt, 5/16" x 1-1/4"	AA	14	Washer, 5/16" Std.
I	2	Carriage Bolt, 5/16" x 3/4"	BB	2	Hose Clip
J	23	Hex Bolt, 1/4" x 3/4"	CC	1	Mounting Bracket
K	12	Truss Head Bolt, 5/16" x 3/4"	DD	2	Tarp Strap
L	2	Slotted Head Bolt, 10-32 x 5/8"	EE	1	Hitch Pin
M	1	Lock Nut, 1/2"	FF	2	"S" Hook
N	9	Nylock Nut, 3/8"	GG	1	Angle Bracket
O	1	Hair Cotter Pin, 3/32"	HH	1	Spring
P	2	Cotter Pin, 1/8" x 1-1/4"	II	3	Plastic Wing Nut
Q	2	Nylock Nut, 10-32	JJ	1	Mounting Strap
R	15	Nylock Nut, 5/16"	KK	2	Axle Clip
S	33	Nylock Nut, 1/4"			

OPTIONAL ACCESSORY MODEL NO. 45-0253 12 FT. REMOTE HOSE KIT



ASSEMBLY INSTRUCTIONS

TOOLS REQUIRED FOR ASSEMBLY

- (2) 3/4" Wrench
- (2) 9/16" Wrench
- (2) 1/2" Wrench
- (2) 7/16" Wrench
- (1) Screwdriver
- (1) Pliers

Spray adhesive is recommended for easier assembly!

This unit is shipped WITHOUT GASOLINE or OIL. After assembly, see separate engine manual for proper fuel and engine oil recommendations.



CAUTION

DO NOT LEAVE THE MOW-N-VAC UNATTENDED DURING ASSEMBLY. A FALLING MOW-N-VAC CAN CAUSE PERSONAL INJURY! PAY CLOSE ATTENTION TO THE STABILITY OF THE MOW-N-VAC. ASSEMBLE ON A SMOOTH, LEVEL SURFACE.

1. Remove the hardware pack and all loose parts from the carton. Be sure the carton is empty before discarding.
2. Lay out all the parts as shown in the carton contents.
3. Position cart body halves upright on a smooth level surface such as a garage floor or a paved driveway. See figure 1.
4. Assemble halves together using two 1/4" x 3/4" hex bolts and 1/4" nylock nuts as shown in figure 1. **Do not tighten.**

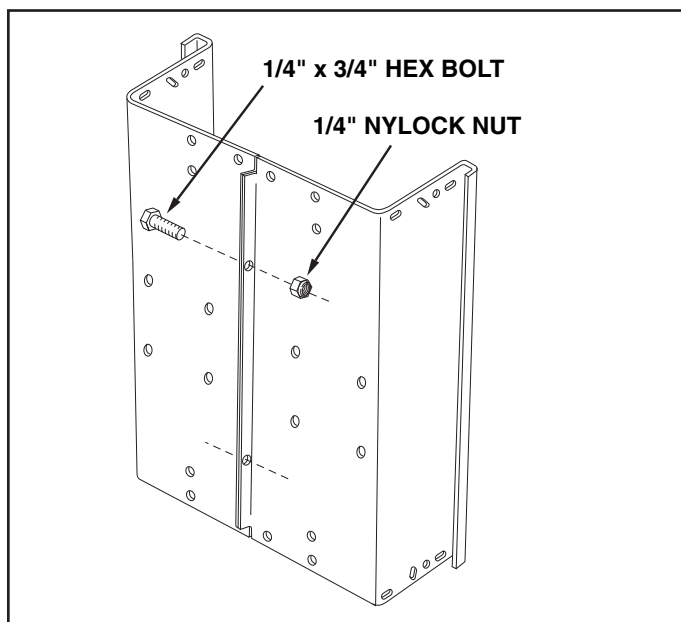


FIGURE 1

5. Position the tailgate reinforcement bracket on outside of cart as shown in figure 2. Assemble to the bottom of the cart body using four 5/16" x 3/4" truss head bolts and 5/16" nylock nuts. **Do not tighten.** See figure 2.
6. Position the tailgate guides on the inside of the cart bodies with guide channels to the front as shown in figure 2. Assemble using four 1/4" x 3/4" hex bolts and 1/4" nylock nuts. **Do not tighten.**
7. At this time, with the cart body halves pulled together, **tighten** the four truss head bolts assembled in step 5 and then **tighten** the four hex bolts assembled in step 6. **Do not tighten** the two hex bolts that were assembled in step 4.

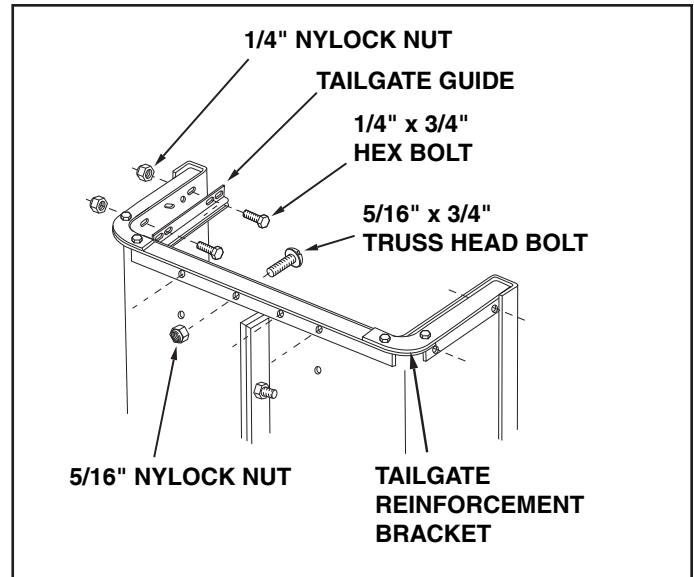


FIGURE 2

8. Remove the bottom two pre-assembled bolts in the tailgate reinforcement bracket. Assemble a 5/16" washer and spacer onto the bolt and reassemble it to the tailgate reinforcement bracket. See figure 3.

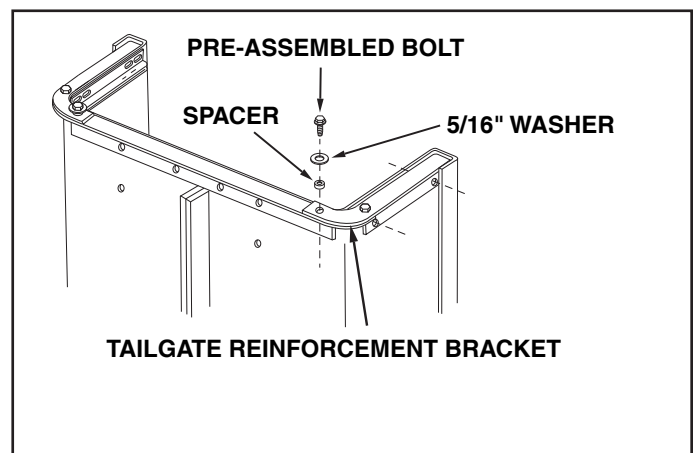


FIGURE 3

9. Assemble the front panel over the opposite end of the cart using four 1/4" x 3/4" hex bolts and 1/4" nylock nuts as shown in figure 4. Leave two holes open in the bottom of the panel as shown in figure 4. With the cart body halves pulled together, **tighten** the two bolts in the bottom of the front panel, then **tighten** the bolt in each side.

At this time **tighten** the two bolts on the bottom of the cart which were assembled in step 4.

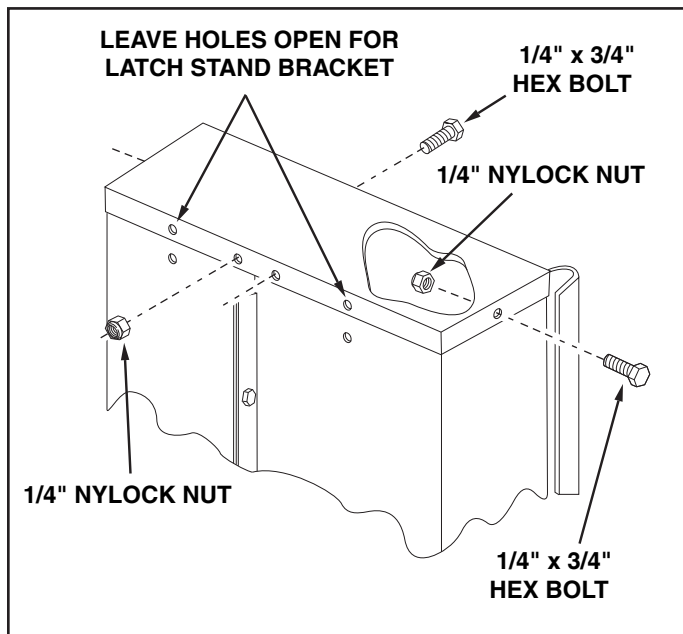


FIGURE 4

10. Assemble the wheel support to the cart using eight 5/16" x 3/4" truss head bolts and 5/16" nylock nuts as shown in figure 5. Heads of bolts go on the inside of cart. **Tighten**.

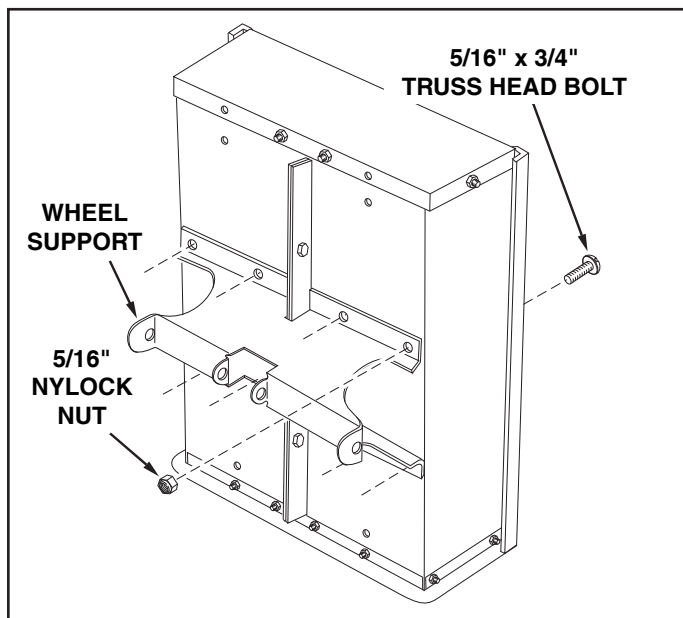


FIGURE 5

11. Turn the latch stand bracket so that the aligning tab is at the rear (bottom) of the bracket. Assemble the latch stand bracket to the cart using four 1/4" x 3/4" hex bolts and 1/4" nylock nuts. **Tighten**. See figure 6.

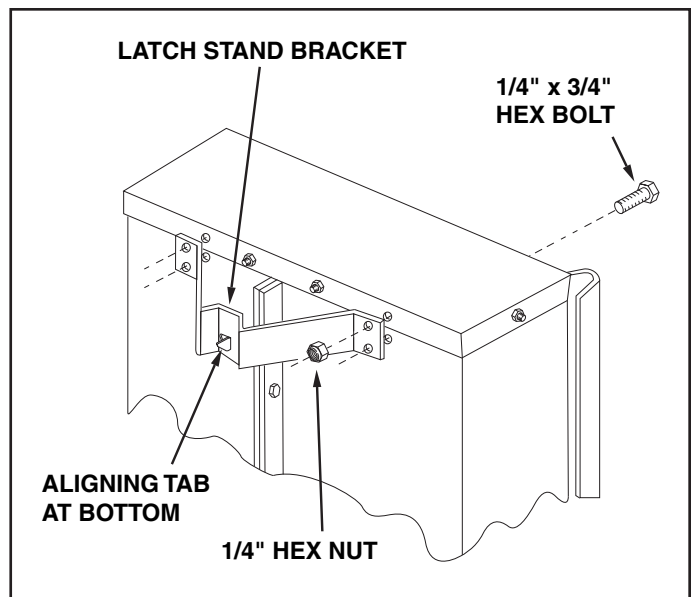


FIGURE 6

12. Assemble two 1/4" x 3/4" hex bolts and 1/4" nylock nuts to the two rear corners of the cart. **Tighten**. See figure 7.

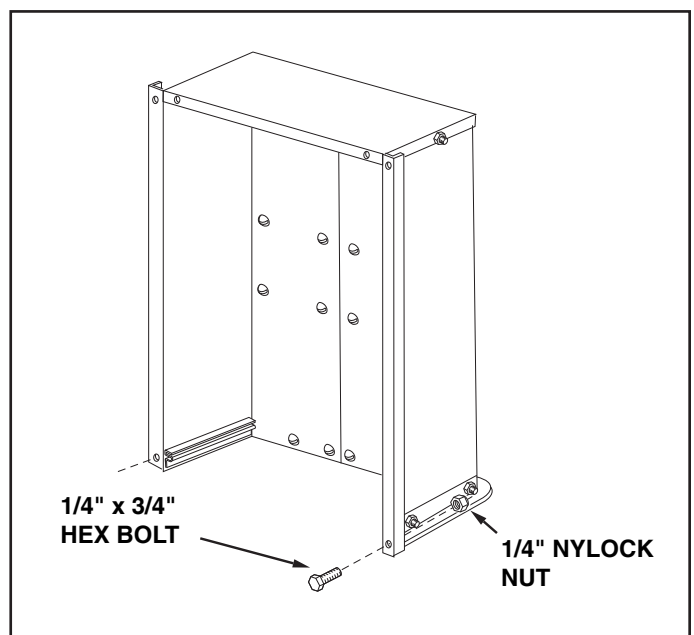


FIGURE 7

13. Insert the latch lock lever into the rear tongue as shown in figure 8A. Secure it in place using the 5/16" x 4" hex bolt and 5/16" nylock nut.
14. Attach the spring to the hole in the rear tongue and the lower hole in the latch lock lever as shown in figure 8B.

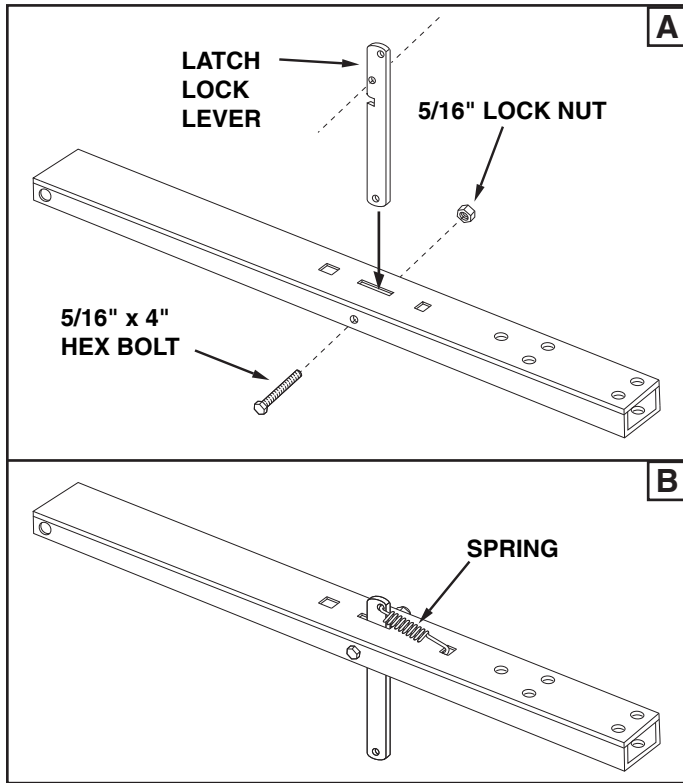


FIGURE 8

15. To prevent accidental tipping during the following assembly procedures, lower the cart to rest upside down on its top flanges, so that the wheel support is facing up. See figure 9.
16. Lay the drawbar tongue onto the Wheel Support and the Latch Stand Bracket. Assemble the axle through the wheel support and the tongue. See figure 9.

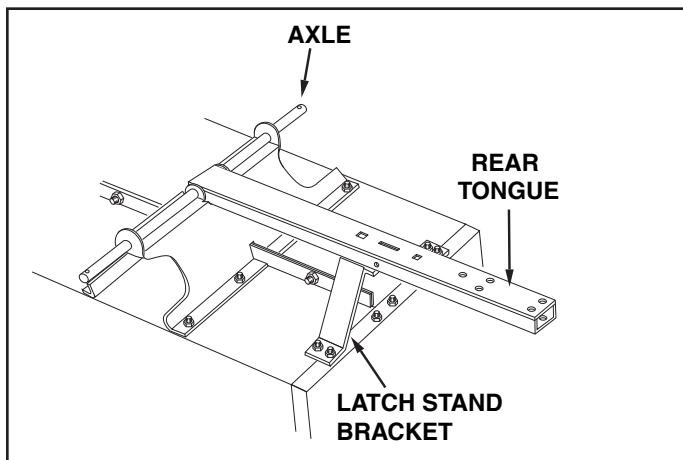


FIGURE 9

IMPORTANT: Make sure drawbar tongue is securely locked to the latch stand bracket by the latch lock lever.

17. Assemble a flat washer, a wheel with the valve stem facing out, another flat washer and an axle clip onto the axle as shown in figure 10. Secure the wheel on the axle with a cotter pin, spreading the ends. Repeat on other end of axle.

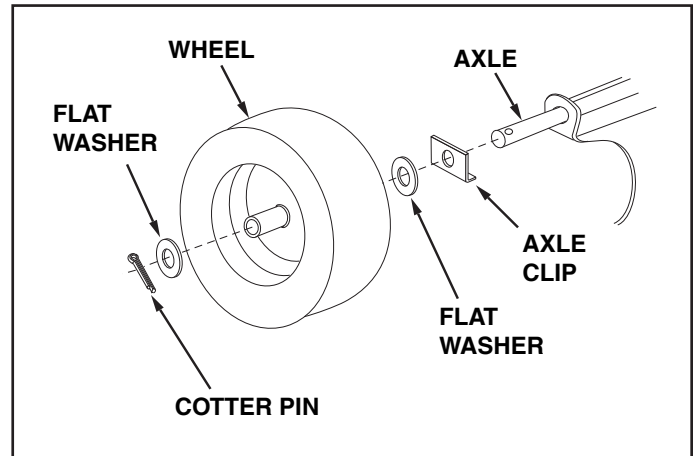


FIGURE 10

18. Assemble the hitch bracket to the front tongue using two 3/8" x 1" hex bolts and 3/8" nylock nuts. See figure 11.

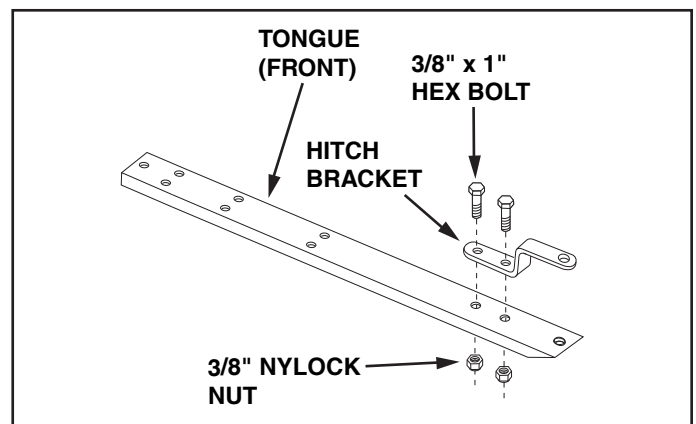


FIGURE 11

19. Flip the cart over so that it rests on its wheels.
 20. Assemble the front tongue on top of the rear tongue using three 3/8" x 3" hex bolts and 3/8" hex lock nuts. See figure 12.
- HINT:** For easier assembly, support the rear tongue with a block of wood.
21. Assemble the hitch pin to the hitch bracket and tongue, securing it with the 1/8" hair cotter pin. See figure 12.

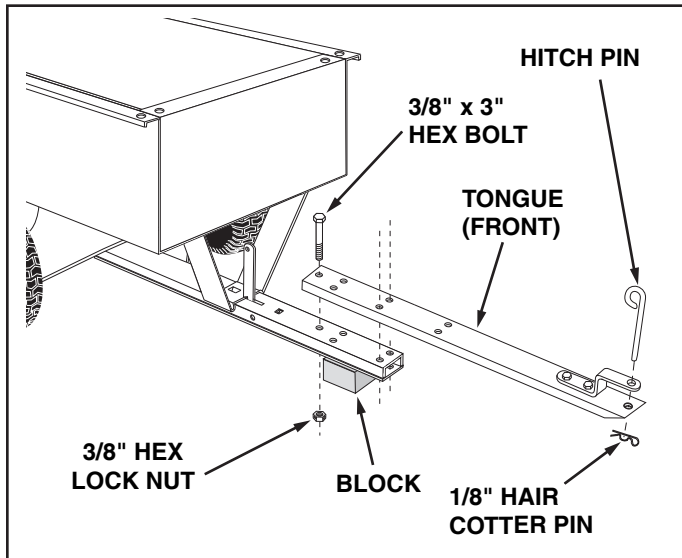


FIGURE 12

24. Assemble the engine to the tongue using two 3/8" x 3" hex bolts in the rear holes, two 3/8" x 1" hex bolts in the front holes and four 3/8" nylock nuts. See figure 14.
- HINT:** Use caution when assembling engine to tongue. Have another person assist you if you are having difficulty.
- HINT:** For easier assembly, support the tongue with a block of wood.

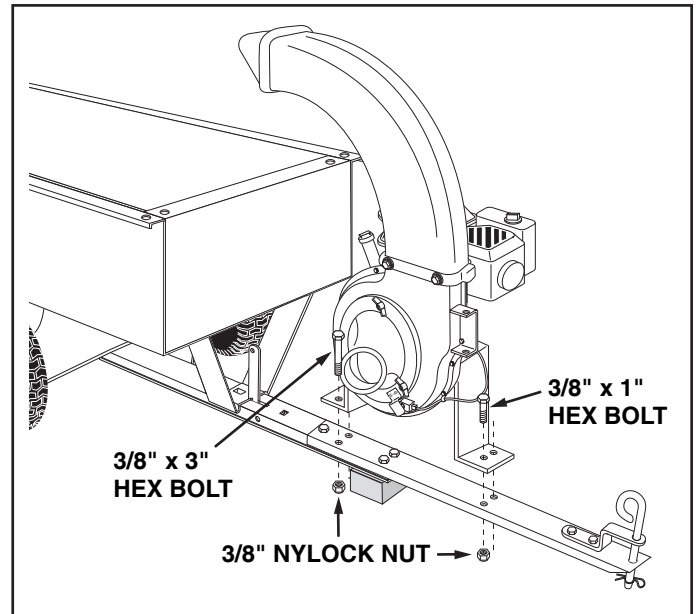


FIGURE 14

22. Attach the plastic elbow to the top of the engine housing using four 5/16" x 3/4" hex bolts (self tapping) and nylon washers. See figure 13.
- HINT:** Push in on hex bolts as you tighten to form threads.
23. Connect the hose adapter to the engine housing by fastening three wing nuts to the pre-assembled bolts in the engine housing. See figure 13.

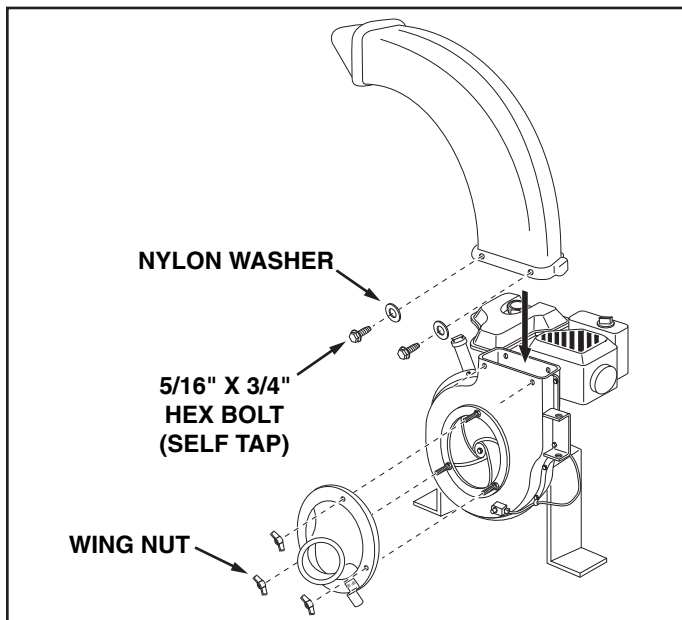


FIGURE 13

25. Place the hose hanger rod down into the hose hanger bracket on the impeller housing assembly. See figure 15.

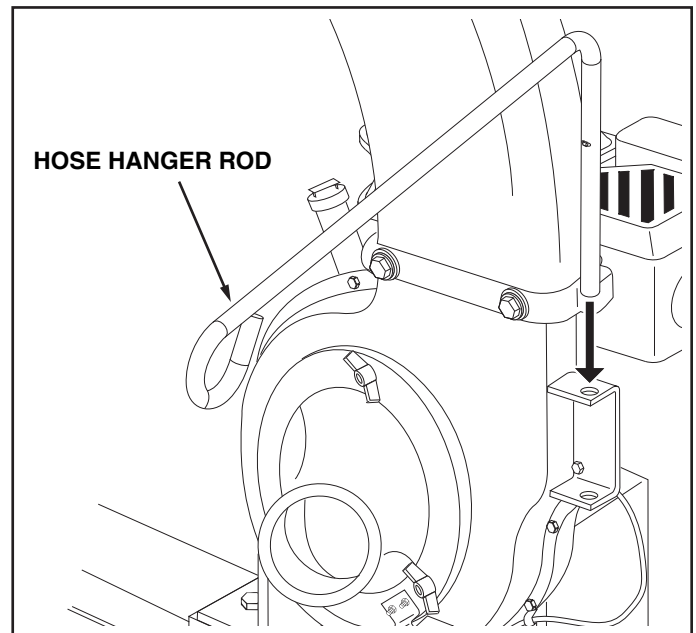


FIGURE 15

26. Place a hose clamp onto the end of the hose. Push the hose onto the hose adapter (nozzle). Tighten the hose clamp onto the hose and hose adapter. **Do not collapse the hose adapter when tightening the clamp.** See figure 16.
27. The remaining hose clamp will be used later to fasten the hose to the deck adapter.

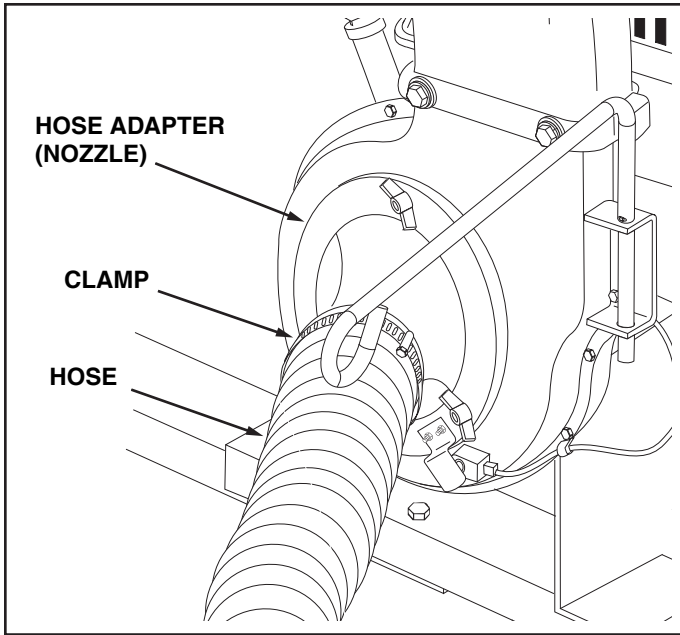


FIGURE 16

29. Assemble the hitch plate to the tractor hitch if:
- Your tractor has a square (straight) hitch frame, to help prevent binding.
 - Your tractor has a lightweight hitch frame that needs reinforcement for towing.
- Use a 1/2" x 1-1/2" hex bolt, a 7/16" flat washer and a 1/2" lock nut. See figure 18.

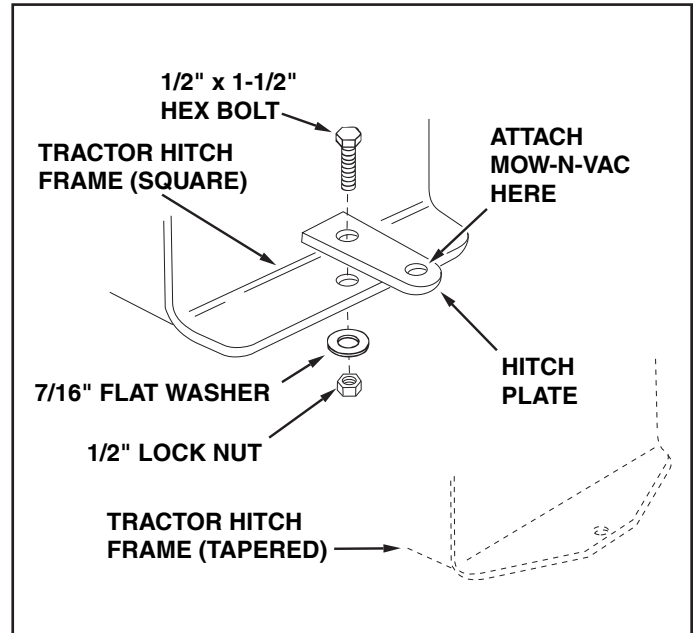


FIGURE 18

28. Loop the 25" tarp strap under the hose. Fasten the hooks to the hose hanger rod. See figure 17.

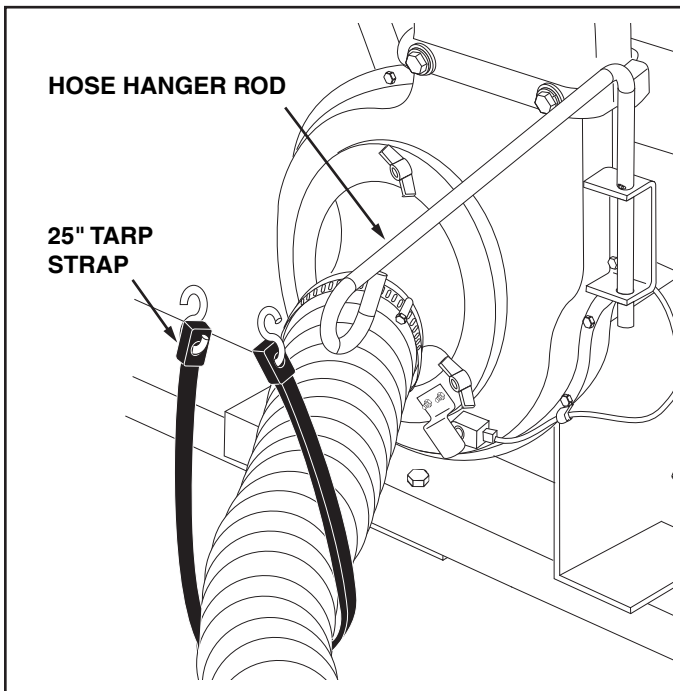


FIGURE 17

ASSEMBLING CART COVER

1. Slide the front support tube through the double loops located near the front of the cart cover. See figure 19.

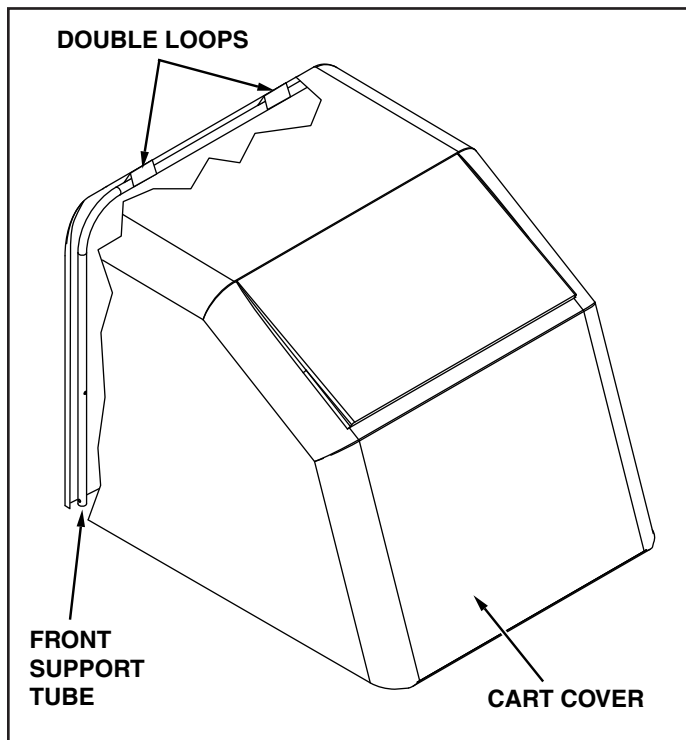


FIGURE 19

2. Slide two of the lower support rods through the center loops located in the top of the cart cover as shown in figure 20.

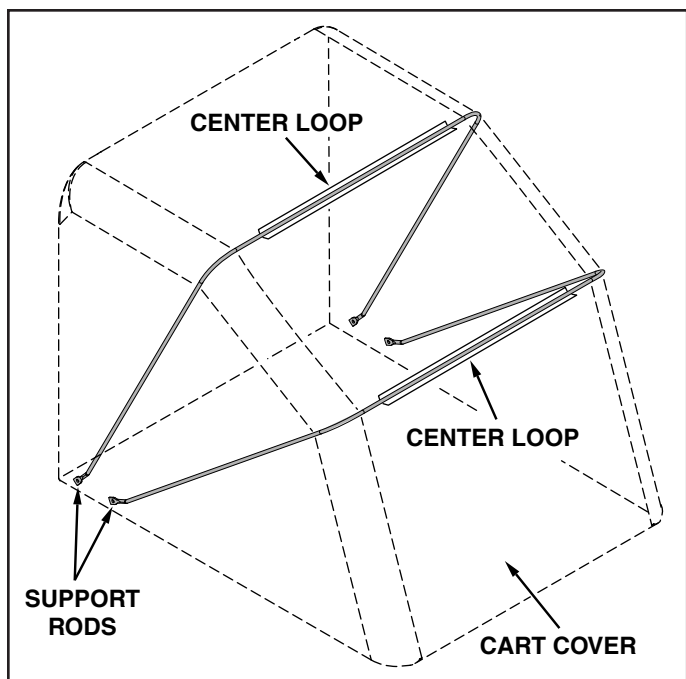


FIGURE 20

3. Slide the last lower support rod through outer edge of the cart cover. The **bend** in the rod must face in the direction shown in figure 21.

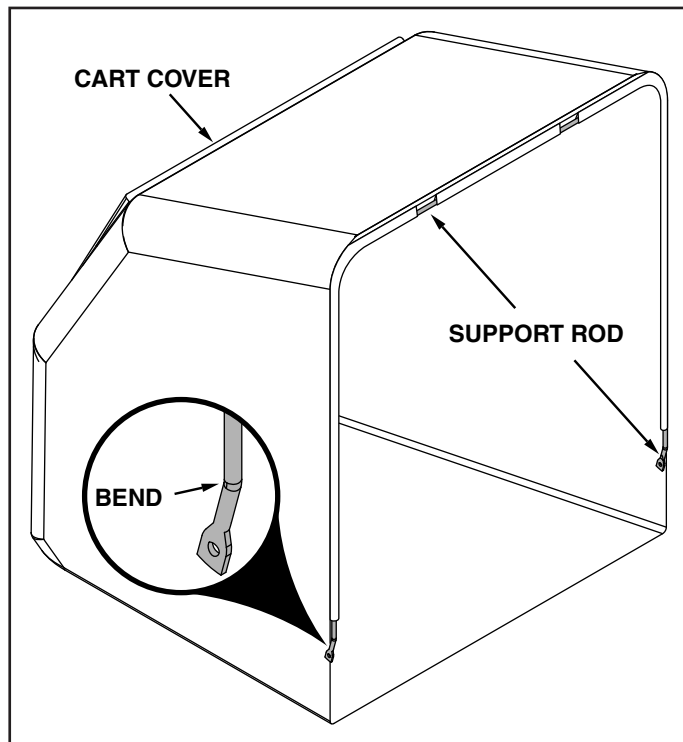


FIGURE 21

PERFORM STEPS 4-6 IF YOU ARE USING SPRAY ADHESIVE (RECOMMENDED). IF YOU ARE NOT USING SPRAY ADHESIVE, SKIP TO STEP 7 ON PAGE 12.

4. Apply spray adhesive to the side of the top support angle shown in grey. Follow directions on spray adhesive for proper application. See figure 22.
5. Once the spray adhesive is tacky to touch, place top support angle inside of cart cover and fold the edges of the cover onto side of support angle with spray adhesive. See figure 22.
6. Wait until adhesive dries, securing support angle in place, before continuing to step 7.

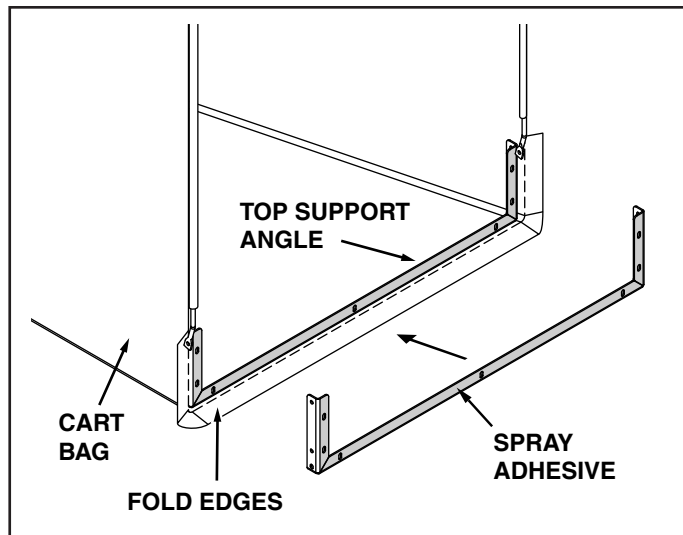


FIGURE 22

7. Secure front support tube to top angle support using two 1/4" x 1-1/4" hex bolts and 1/4" lock nuts. **DO NOT TIGHTEN YET.** See figure 23.

NOTE: Cart bag not shown for clarity.

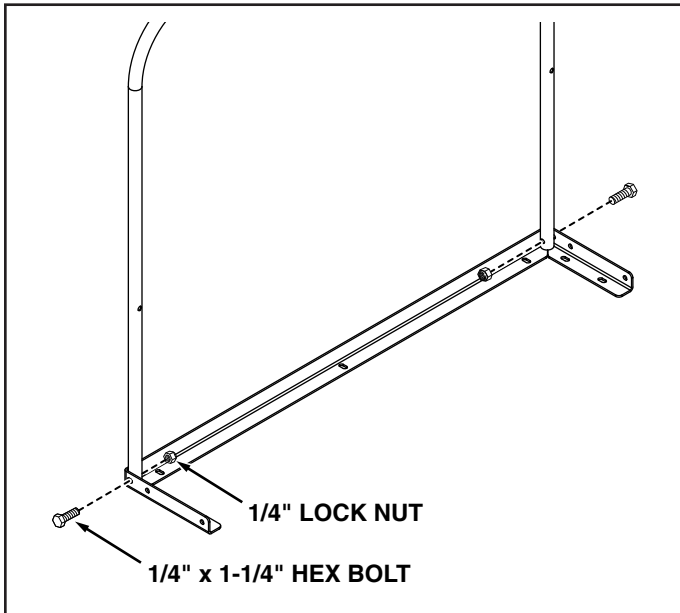


FIGURE 23

8. Attach the lower support rod closest to front support tube to the outside of the top angle support using two 1/4" x 3/4" hex bolts and 1/4" lock nuts. **DO NOT TIGHTEN YET.** See figure 24.

NOTE: Cart bag not shown for clarity.

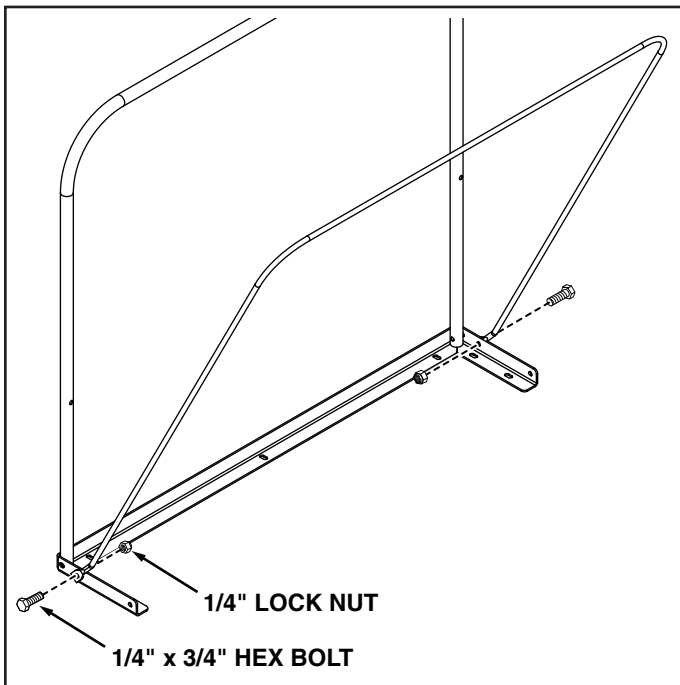


FIGURE 24

9. Attach the second lower support rod to the outside and the third lower support rod to the inside of the top angle support using two 1/4" x 3/4" hex bolts and 1/4" lock nuts. **DO NOT TIGHTEN YET.** See figure 25.

NOTE: Cart bag not shown for clarity.

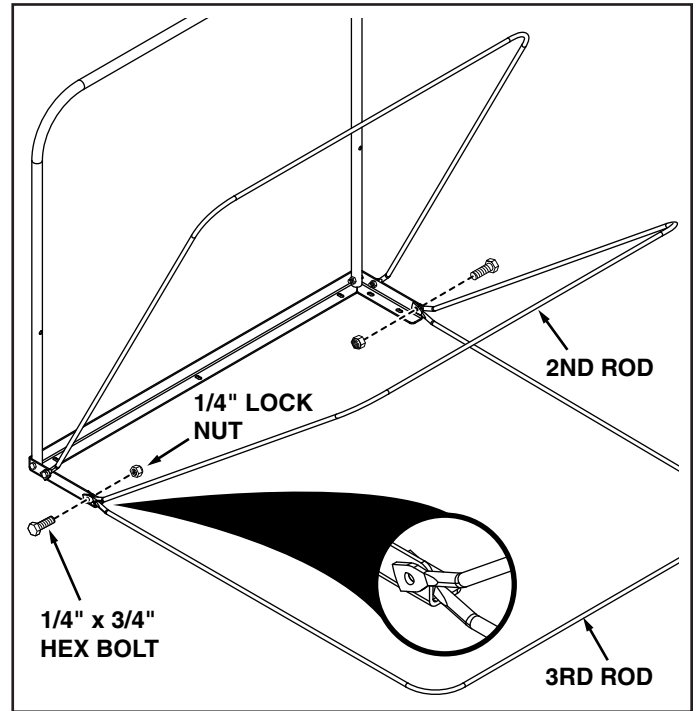


FIGURE 25

10. Attach the braces to the front support tube using two 1/4" x 1-1/4" hex bolts and 1/4" lock nuts. **DO NOT TIGHTEN YET.** See figure 26.

NOTE: Cart bag not shown for clarity.

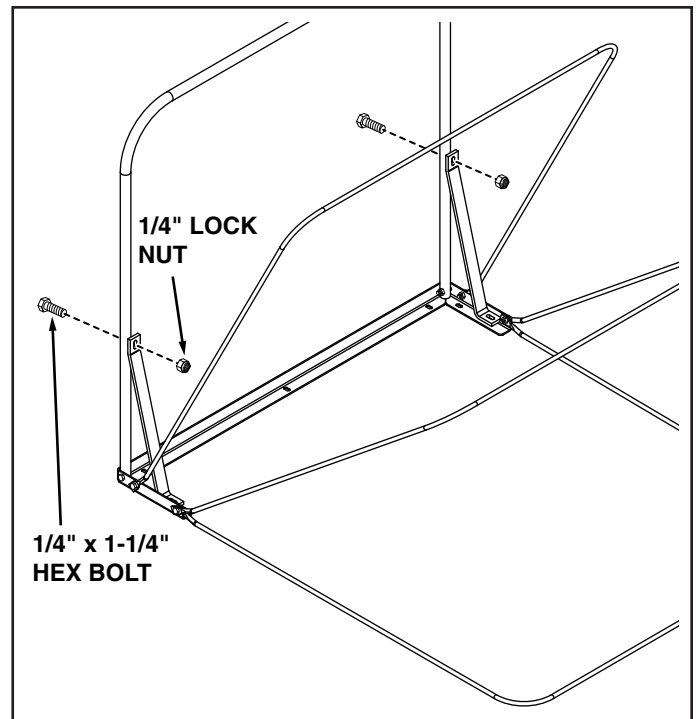


FIGURE 26

While performing the assembly operations in step 11, make sure the cart bag is between the top angle support and the cart.

11. Place the top angle support and cart bag on top of the cart as shown in figure 27. Then, using a screwdriver or other sharp object, poke holes through the cart bag for the bolts that will be assembled in step 12.
12. Attach the top angle support and braces to the cart using seven 1/4" x 3/4" hex bolts, fourteen 5/16" washers (one placed on each side) and seven 1/4" nylock nuts. **DO NOT TIGHTEN YET.** See figure 27.

NOTE: Cart bag not shown for clarity.

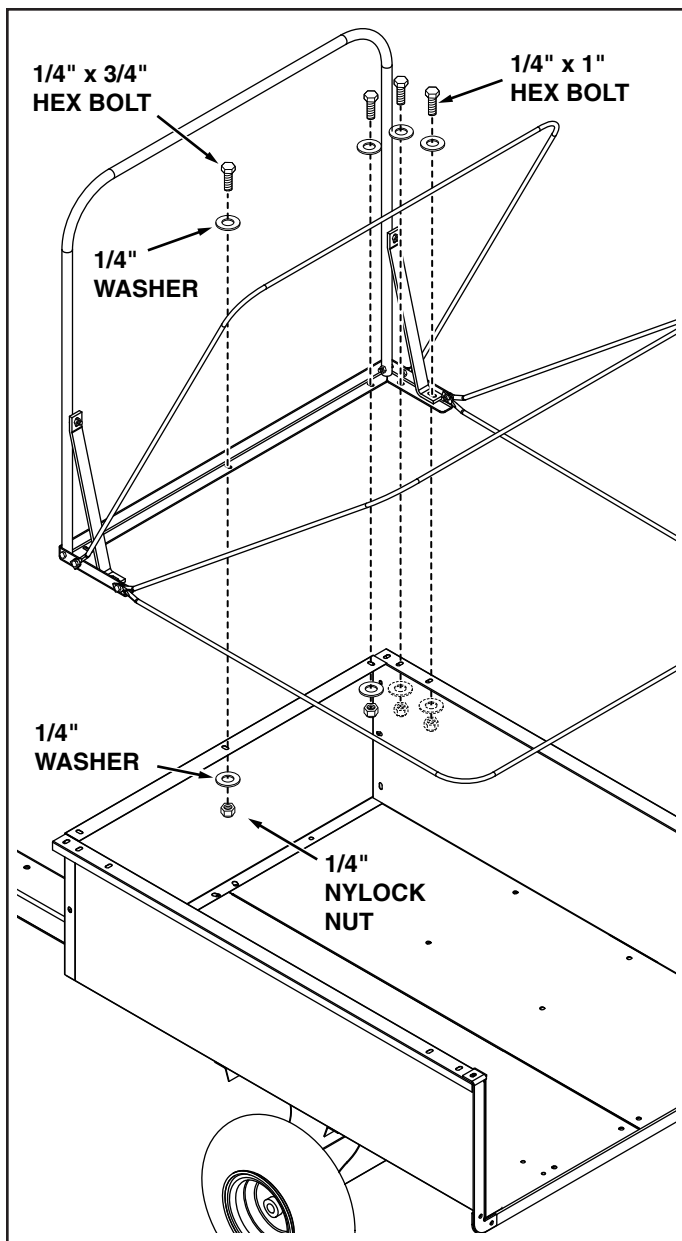


FIGURE 27

13. Slide each end of the rope through the holes in the tailgate shown in figure 28.
14. Tie a knot in the end of each side of the rope to secure the rope in place. Keep knot loose. See figure 28.

HINT: Knot may need to be moved up or down in rope to secure tailgate. See step 18 for more information.

15. Slide tailgate into tailgate guides.
16. Attach clips to 3rd lower support rod and fasten them to the tailgate using two #10 x 5/8" slotted head bolts and #10 nuts. See figure 28.
17. **TIGHTEN** all bolts assembled in steps 7 through 12.
18. Secure tailgate rope around the bolts shown in figure 28. If rope does not keep tailgate held down or rope is too short to secure around bolts, move the knot up the end of the rope to loosen or down to tighten. Once knot is in desired location, tighten the knot to secure it in place.

NOTE: Cart bag not shown for clarity.

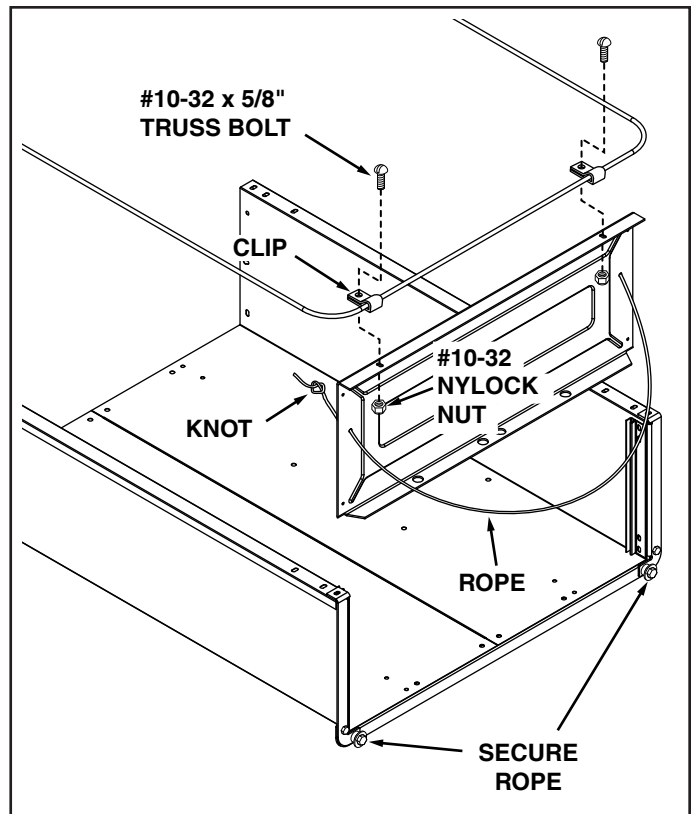


FIGURE 28



BEFORE PROCEEDING, look in the fold-out sheets to find the template for your mower deck. If written instructions are printed on the template, follow those instructions instead of the instructions in this manual.

ASSEMBLING THE #62468 DECK ADAPTER TO THE MOWER DECK

NOTE: Not all of the parts in the deck adapter hardware package will be used for any one particular fit up.

1. Remove the mower discharge deflector from your mower deck. Save the deflector and hardware for remounting deflector.



CAUTION: Mower deflector must be replaced when Vac System deck adapter is removed. Do Not operate mower unless adapter or deflector is in place and properly mounted.

2. Identify and cut out the template for your **brand and size** mower deck. If there is no template included for your deck size, you can make your own template by marking around a piece of cardboard held against the edge of the deck's discharge opening.
3. **FOLLOW THE INSTRUCTIONS PRINTED ON THE TEMPLATE.** If there are no instructions, use the following instructions as a general guide.
4. Tape the template to the face of the adapter, about 1/2" from front and 1/4" down from top for deeper decks. For shallow decks, position template low enough that adapter will not extend below bottom of deck. Mark outline of template on face of adapter using white crayon, nail or scribe. Drill a starting hole inside the outline, then use a saber saw or key hole saw to cut out the opening. See figure 29.

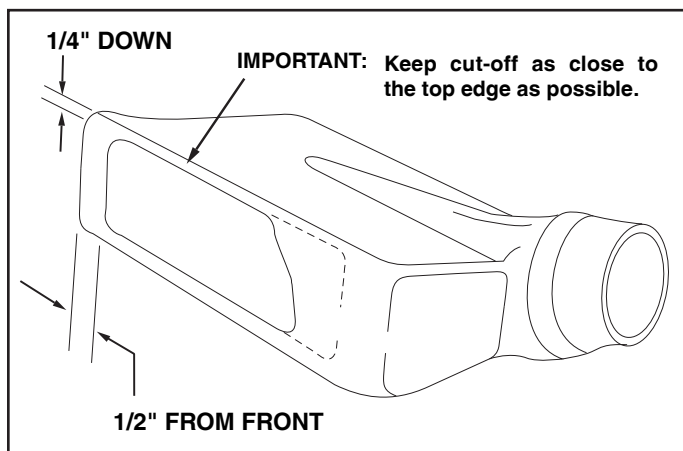


FIGURE 29

5. Position the adapter over the deck opening, and check for fit of cutout as shown in figure 30. Trim cutout, if necessary, to allow tilting of adapter, keeping the fit as close as possible for best vacuum suction.

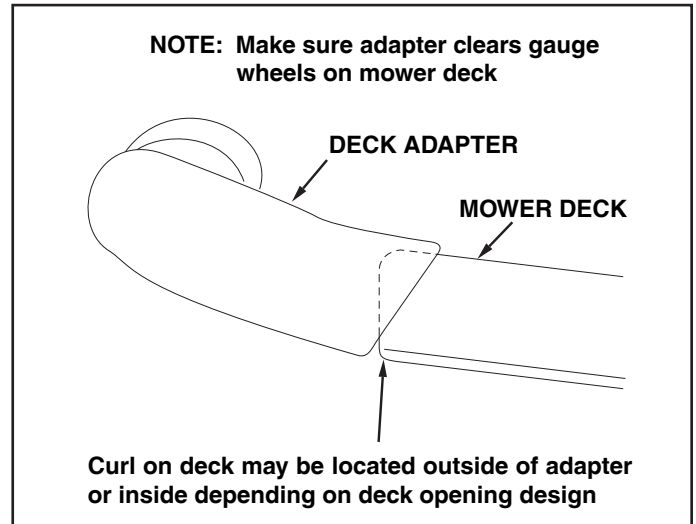


FIGURE 30

6. Holding the adapter bracket and the deck adapter together, position the deck adapter on the mower deck. Keeping the edge of deck adapter as close as possible to the offset in the adapter bracket, see if the slot in the adapter bracket can be aligned with one or two of the deflector holes in your mower deck's discharge opening. If the bracket can not be located correctly using existing holes, it will be necessary to drill one or two 5/16" diameter holes in the deck. See figure 31.

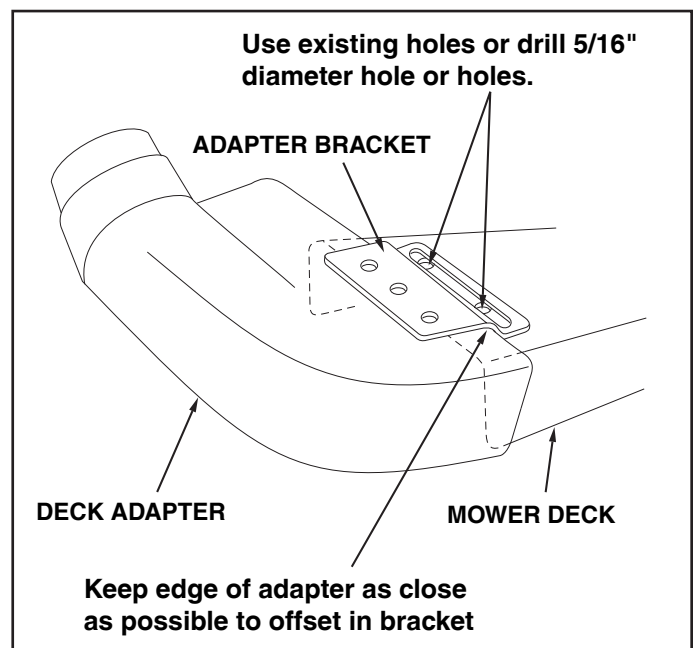


FIGURE 31

7. Assemble the adapter bracket to the deck using two 5/16" x 1-1/4" hex bolts, 5/16" flat washers and 5/16" nylock nuts. See figure 32.

NOTE: It may be necessary to use extra 5/16" flat washers to shim under the bracket next to the deck surface. Ten extra washers have been furnished as shims. See figure 32.

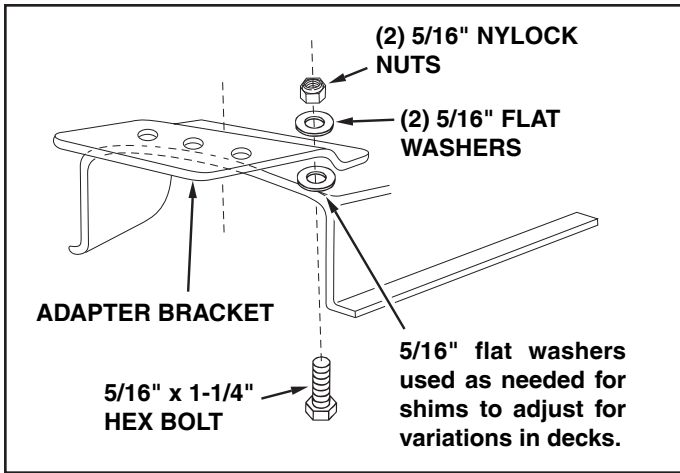


FIGURE 32

8. With deck adapter positioned correctly over the discharge opening, use the adapter bracket as a template and drill three 9/32" diameter holes in the top of the deck adapter. See figure 33.
9. Bolt deck adapter to bracket using three 1/4" x 1" bolts, nylon washers, 1/4" flat washers and 1/4" nylock nuts. Nylon washers should be against the inside of the deck adapter. See figure 33.

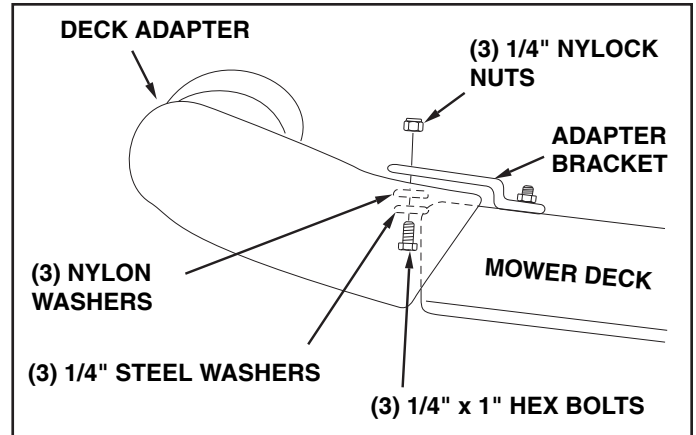


FIGURE 33

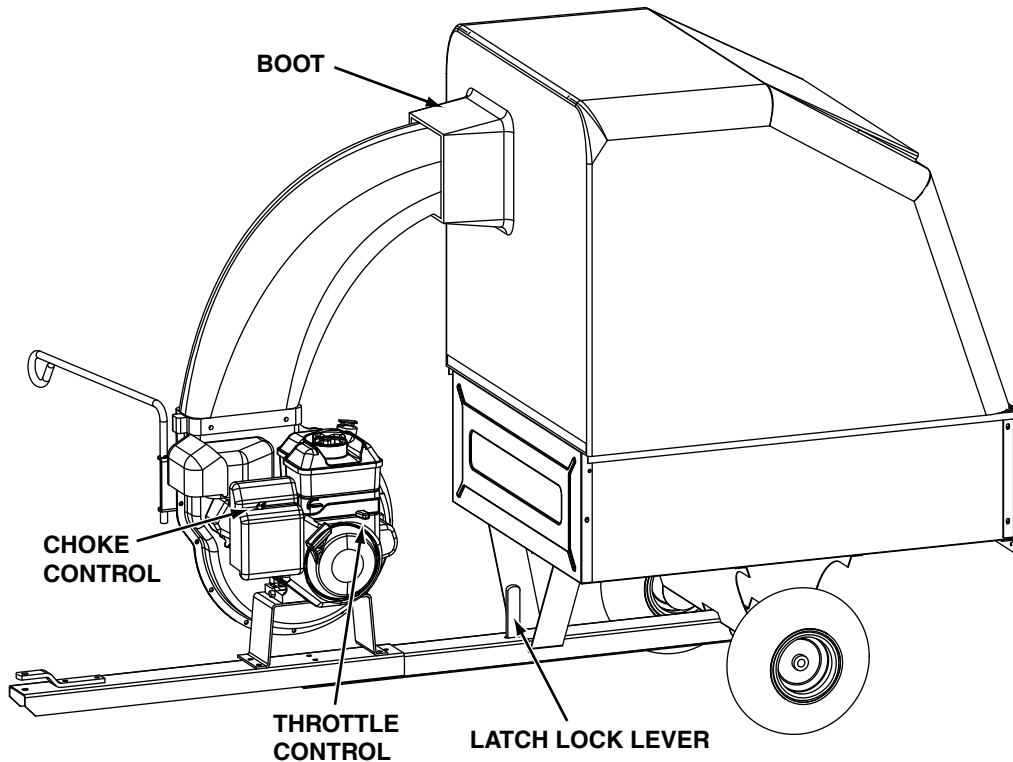
10. Assemble end of hose and a hose clamp over the round opening of deck adapter and tighten clamp.
GO DIRECTLY TO OPERATION INSTRUCTIONS ON PAGE 16.

OPERATION

KNOW YOUR VAC SYSTEM

Read this owner's manual and safety rules before operating your Vac System.

Compare the illustration below with your Vac System to familiarize yourself with the various controls and their locations.



LATCH LOCK LEVER Locks the cart bed down to the tongue. Releases to allow cart to be tipped back for dumping.

BOOT Connects the plastic elbow to the fabric top, directing discharged material into the cart.

THROTTLE CONTROL Controls speed of engine.

CHOKE CONTROL Adjust to allow cold starting.

CAUTION: Alcohol blended fuels (called gasohol or using ethanol or methanol) can attract moisture which leads to separation and formation of acids during storage. Acidic gas can damage the fuel system of an engine while in storage.

To avoid engine problems, the fuel system should be emptied before storage for 30 days or longer. Drain the gas tank, start the engine and let it run until the fuel lines and carburetor are empty. Use fresh fuel next season. See STORAGE Instructions for additional information.

Never use engine or carburetor cleaner products in the fuel tank or permanent damage may occur.



WARNING: Never fill fuel tank indoors, with the engine running, or while the engine is hot. Do not smoke while filling tank.

BEFORE STARTING

- Your Vac System engine is shipped without oil or gasoline. Service the engine with oil and gas as instructed in the separate engine manual.
- Inspect the Vac System to make sure all covers (rear door, vinyl boot, elbow, hose adapter, hose and deck adapter) are properly attached.
- Check tires for proper inflation (printed on tire).

HOW TO STOP YOUR VAC SYSTEM

- To stop engine, move the throttle control lever to the OFF position.
- Disconnect spark plug wire from plug to prevent accidental starting while equipment is unattended or is being worked on.



CAUTION: The muffler and adjacent areas are **hot!**

HOW TO START YOUR VAC SYSTEM



WARNING: Never start or run the engine without all covers being properly attached to the blower housing and cart.

- Check oil and gas in Vac engine.
- Attach spark plug wire to spark plug.
- Move choke lever on engine to CHOKE position. (A warm engine may not require choking.)
- Move throttle control lever on engine to FAST position.
- Grasp starter handle and pull rope out slowly until engine reaches start of compression cycle (rope will pull slightly harder at this point). Let the rope rewind slowly.
- Pull rope with a rapid, continuous, full arm stroke. Keep a firm grip on starter handle. Let rope rewind slowly. Do not let starter handle snap back against starter.
- Repeat instructions in two preceding paragraphs until engine fires. When engine starts, move choke control gradually to RUN position.

HOW TO USE YOUR VAC SYSTEM



CAUTION: Vehicle braking and stability may be affected with the addition of an accessory or an attachment. Be aware of changing conditions on slopes.

- Inspect the Vac to make sure the cover, rear door, boot, elbow, hose adapter (nozzle), hose and deck adapter are properly attached.
- Check tires for proper inflation (listed on tire).
- Check for oil and gas in Vac engine.
- Begin operation at low speed, adjusting forward speed to match grass height and/or moisture condition to prevent clogging.
- Do not attempt to vacuum up any material other than vegetation found in a normal yard, such as light branches, leaves, twigs, etc.



WARNING: Should your Vac System become clogged, shut off tractor and Vac engines. Before attempting to unclog, remove wire from spark plug to prevent accidental starting.

TO EMPTY THE CART

- Shut off the tractor engine and set the brake.
- Shut off the Vac engine.
- Loosen the draw string and pull the boot back from the elbow.
- Remove the tailgate and fold up bag as shown below.
- Use the rope from the tailgate to secure bag in upright position. Refer to illustration below.
- Release the latch lock lever on the tongue and tip the cart back.
- Using a rake or suitable tool, pull grass clippings and/or leaves out of the cart.
- After the cart is emptied, tip it forward and secure it to the tongue with the latch lock lever. Fold down bag and install the tailgate. Secure tailgate in place with the rope.



CAUTION: To avoid possible injury, be sure that no one is near the cart before releasing the latch lock lever.

TO USE THE CART WITHOUT THE VAC SYSTEM

- Remove bolts holding frame to cart and store bag and frame in a safe place.
- Keep removed bolts, washers and nuts in a safe place with bag.
- Remove and store the four bolts and nuts which fasten the engine base to the tongue.
- Slide the engine off the tongue and store in a safe storage area.



CAUTION: The muffler and adjacent areas are hot!

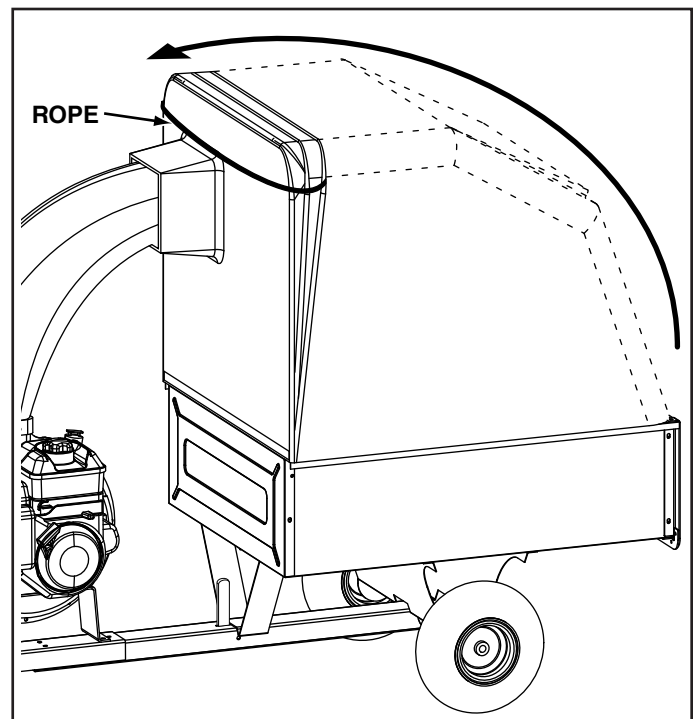


FIGURE 34

MAINTENANCE

CUSTOMER RESPONSIBILITIES

- Read and follow the maintenance schedule and the maintenance procedures listed in this section.

MAINTENANCE SCHEDULE Fill in dates as you complete regular service.	Service Dates											
	Before each use	After each use	Every season	Before storage								
Check for loose fasteners	X											
Check cover	X											
Check tire pressure	X											
Check engine oil level	X											
Lubricate		X										
Clean		X	X									
Maintain engine per instructions below and in engine manual.												

BEFORE EACH USE

CHECK FOR LOOSE FASTENERS

- Make a thorough visual check of the Vac System for any bolts and nuts which may have loosened. Retighten any loose bolts and nuts.

CHECK COVER

- Check the cover, especially the front boot and the rear flap for wear. Replace cover if worn or damaged.

CHECK TIRE PRESSURE

- Check tire pressure regularly. Recommended tire pressure is printed on tire.

CHECK ENGINE OIL LEVEL

- Check oil level before each use. Maintain engine oil as instructed in the separate engine manual.

LUBRICATION

- At the beginning of each season, lubricate the latch, latch pivot bolt, and the axle where the hitch tongue pivots, with a light machine oil.
- At least once a season, grease or oil the wheel bearings. Use automotive wheel bearing type grease or 20 weight oil.



WARNING: Always stop engine and disconnect spark plug wire before cleaning, lubricating or before performing any repairs or maintenance.

ENGINE MAINTENANCE

Only use high quality detergent oil rated with API service classification SF or SG. Select the oil's SAE viscosity grade according to your expected operating temperature. SAE 30 grade oil is recommended for warm weather use. For cold weather use refer to the engine manufacturer's Operating and Maintenance Manual.

- Check **oil level** before each use. Maintain engine oil as instructed in the separate engine manual.
- Service **air cleaner** every 25 hours under normal conditions. Clean every few hours under extremely dusty conditions. Poor engine performance and flooding usually indicates that the air cleaner should be serviced. To service the air cleaner, refer to the separate engine manual.
- The **spark plug** should be cleaned and the gap reset once a season. Spark plug replacement at the start of each season is recommended. Check the engine manual for correct plug type and gap specifications.

CLEANING

- Make sure the cart and top are cleaned after each use. Grass clippings and leaves left in the cart will mildew and cause damage if not cleaned out.
- **Clean the engine** regularly with a cloth or brush. Keep the cooling fins on the engine housing clean to permit proper air circulation which is essential to engine performance and life. Be sure to remove all dirt and debris from muffler area.

STORAGE

- Clean the engine and the entire unit thoroughly.
- Refer to engine manual for correct engine storage instructions.
- If storing in an unventilated or metal storage shed, coat metal parts with light oil or silicone to prevent rust.
- Store unit in a clean, dry area.

It is important to prevent gum deposits from forming in essential fuel system parts such as the carburetor, fuel filter, fuel hose or tank during storage. Also, alcohol blended fuels (called gasohol or using ethanol or methanol) can attract moisture which leads to separation and formation of acids during storage. Acidic gas can damage the fuel system of an engine while in storage.

To avoid engine problems, the fuel system should be emptied before storage of 30 days or longer. Follow the instructions in the engine's Operating & Maintenance Manual.

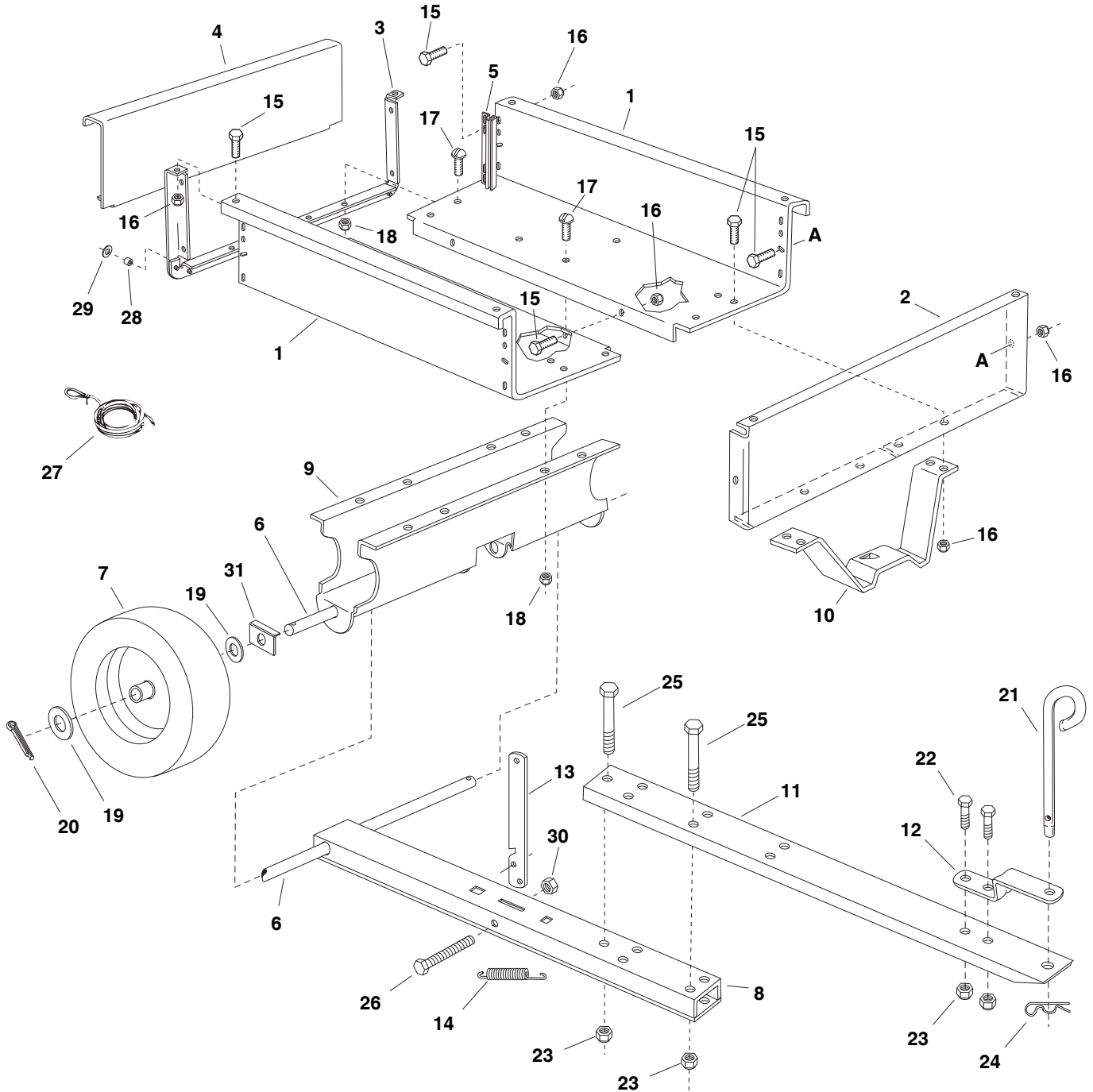
TROUBLESHOOTING

PROBLEM	POSSIBLE CAUSE(S)	CORRECTIVE ACTION
Engine fails to start	<ol style="list-style-type: none"> 1. Spark plug wire disconnected. 2. Safety switch not contacted. 3. Fuel tank empty, or stale fuel. 4. Fuel shut-off valve closed (if so equipped). 5. Faulty spark plug. 	<ol style="list-style-type: none"> 1. Connect wire to spark plug. 2. Correctly install hose adapter nozzle. 3. Fill tank with clean, fresh fuel. 4. Open fuel shut-off valve. 5. Clean, adjust gap or replace.
Loss of power; operation erratic.	<ol style="list-style-type: none"> 1. Spark plug wire loose 2. Unit running on CHOKE. 3. Blocked fuel line or stale fuel. 4. Water or dirt in fuel system. 5. Carburetor out of adjustment. 6. Dirty air cleaner. 	<ol style="list-style-type: none"> 1. Connect and tighten spark plug wire. 2. Move choke lever to OFF position. 3. Clean fuel line; fill tank with clean fresh gasoline. 4. Disconnect fuel line at carburetor to drain fuel tank. Refill with fresh fuel. 5. Adjust carburetor.* 6. Service air cleaner.*
Engine overheats	<ol style="list-style-type: none"> 1. Carburetor not adjusted properly. 2. Engine oil level low. 	<ol style="list-style-type: none"> 1. Adjust carburetor.* 2. Fill crankcase with proper oil.
Too much vibration	Loose parts or damaged impeller.	<ol style="list-style-type: none"> 1. Stop engine immediately and disconnect spark plug wire. Tighten all bolts and nuts. Make all necessary repairs. If vibration continues, have unit serviced by an authorized service dealer.
Unit does not discharge	<ol style="list-style-type: none"> 1. Discharge chute (elbow) clogged. 2. Foreign object lodged in impeller. 3. Vac Cart is full. 	<ol style="list-style-type: none"> 1. Stop engine immediately and disconnect spark plug wire. Clean inside of housing and discharge chute (elbow). 2. Stop engine immediately and disconnect spark plug wire. Remove lodged object. 3. Empty cart.

*Refer to the engine manual packed with your unit.

NOTE: For repairs beyond the minor adjustments listed above, please contact your nearest authorized service dealer.

CART REPAIR PARTS FOR 45-04071 5.5 HP MOW-N-VAC

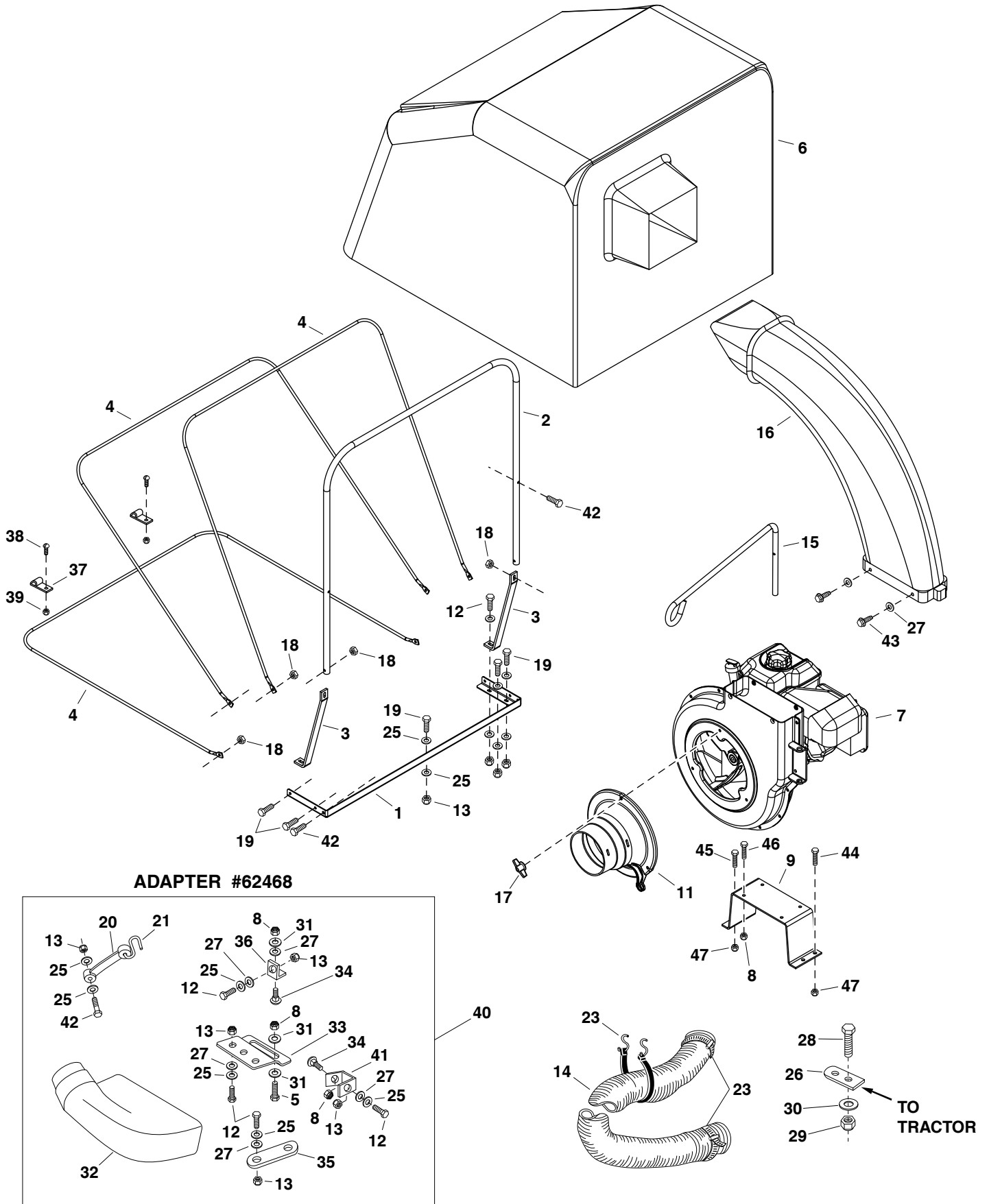


REPAIR PARTS LIST FOR 45-04071 5.5 HP MOW-N-VAC

REF. NO.	PART NO.	QTY.	DESCRIPTION	REF. NO.	PART NO.	QTY.	DESCRIPTION
1	23912	2	Cart Body	17	43814	12	Truss Head Bolt, 5/16-18 x 3/4"
2	24906	1	Front Panel	18	47810	13	Nylock Nut, 5/16-16
3	62458	1	Tailgate Reinforcement Bracket	19	43009	4	Washer
4	24907	1	Tailgate	20	43010	2	Cotter Pin
5	23548	2	Tailgate Guide	21	23353	1	Hitch Pin
6	24896	1	Axle	22	43001	2	Hex Bolt, 3/8-16 x 1"
7	44456	2	Wheel	23	HA21362	5	Nylock Nut, 3/8-16
8	65426	1	Rear Tongue	24	43343	1	Hair Cotter Pin, 3/32"
9	25996	1	Wheel Support	25	43574	3	Hex Bolt, 3/8-16 x 3"
10	24497	1	Latch Stand Bracket	26	47407	1	Hex Bolt, 5/16-18 x 4"
11	25742	1	Front Tongue	27	49868	1	Rope, 36"
12	23475	1	Hitch Bracket	28	23625	2	Spacer, .38" x .62" x .27"
13	25010	1	Latch Lock Lever	29	43081	2	Washer, 5/16" Std.
14	HA20186	1	Spring	30	43064	1	Lock Nut, 5/16-16
15	43012	16	Hex Bolt, 1/4-20 x 3/4"	31	25912	2	Axle Clip
16	47189	16	Nylock Nut, 1/4-20				

SpeedEPart *the fastest way to purchase parts* www.speedepart.com

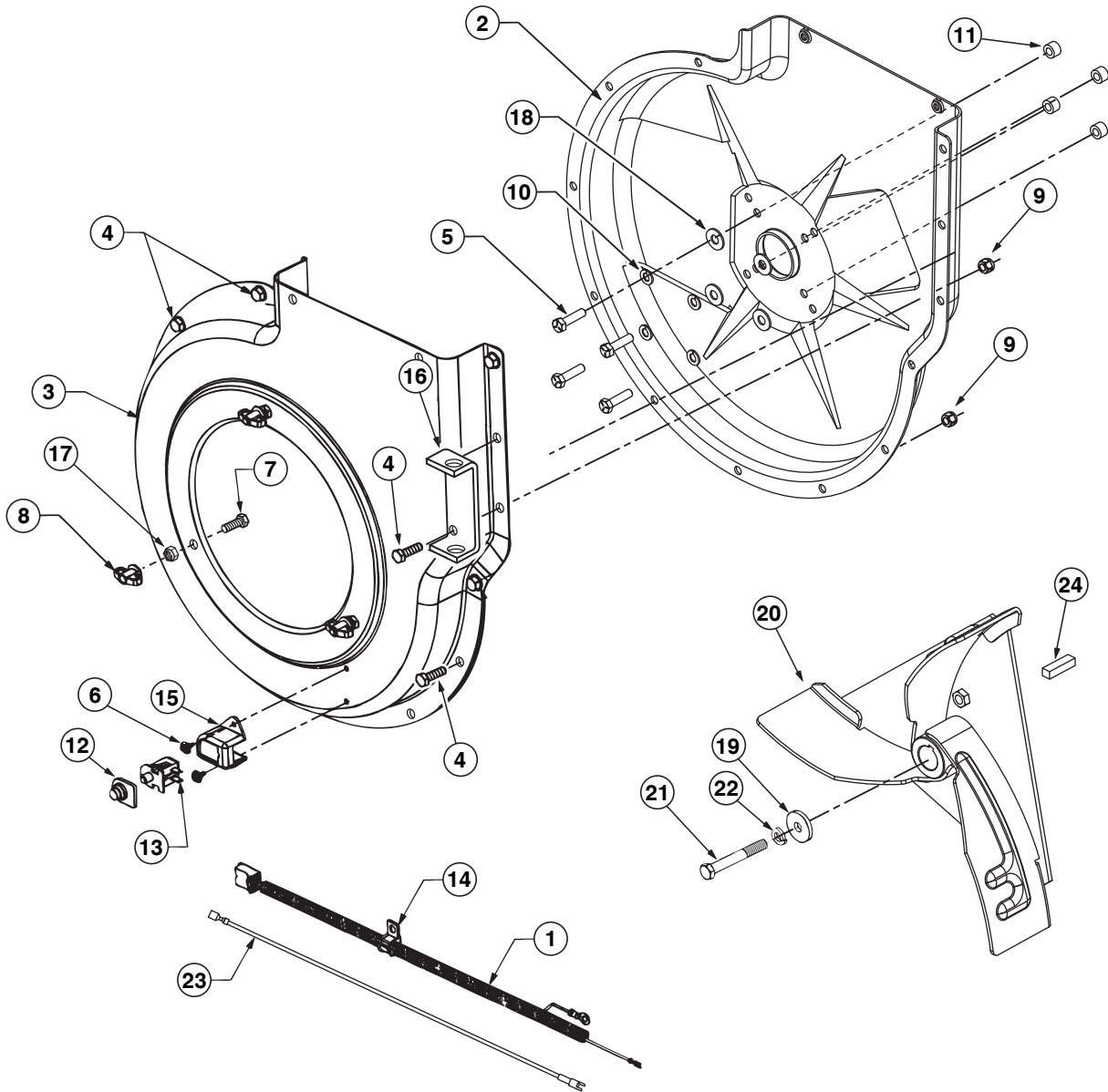
REPAIR PARTS FOR MODEL 45-04071 SOFT TOP MOW-N-VAC



REPAIR PARTS FOR MODEL 45-04071 SOFT TOP MOW-N-VAC

REF. NO.	PART NO.	QTY.	DESCRIPTION	REF. NO.	PART NO.	QTY.	DESCRIPTION
1	25836	1	Top Support Angle	26	23540	1	Hitch Plate
2	25740	1	Front Support Tube	27	1543-69	9	Nylon Washer
3	25876	2	Brace	28	43351	1	Hex Bolt, 1/2-13 x 1-1/4"
4	49864	3	Lower Support Rod	29	43262	1	Lock Nut, 1/2-13
5	43840	2	Hex Bolt, 5/16-18 x 1-1/4"	30	43352	1	Flat Washer, 7/16"
6	49865	1	Cart Cover	31	43081	12	Washer, 5/16" Std.
7	1263020127E1	1	Engine, 5.5 HP	32	43830	1	Deck Adapter
8	47810	7	Nylock Nut, 5/16-18	33	23560	1	Deck Adapter Bracket
9	25834	1	Engine Mounting Base	34	43080	2	Carriage Bolt, 5/16" x 3/4"
10	65428	1	Impeller Assembly	35	23825	1	Mounting Strap
11	43791	1	Hose Adapter	36	23826	1	Angle Bracket
12	43661	4	Hex Bolt, 1/4-20 x 1"	37	HA23761	2	Clip
13	47189	17	Nylock Nut, 1/4-20	38	43346	2	Truss Head Bolt, #10-32 x 5/8"
14	43792	1	Hose	39	47171	2	Nylock Nut, #10-32
15	49974	1	Hose Hanger Rod	40	62486	1	Deck Adapter Kit
16	46420	1	Deflector w/ Elbow	41	23827	1	Mounting Bracket
17	712-0421	3	Wing Nut	42	1509-90	6	Hex Bolt, 1/4-20 x 1-1/4"
18	43013	8	Lock Nut, 1/4-20	43	47630	4	Hex Bolt, 5/16-18 x 3/4" (Thread Forming)
19	43012	9	Hex Bolt, 1/4-20 x 3/4"	44	43001	2	Hex Bolt, 3/8-16 x 1"
20	44850	2	Tarp Strap	45	43574	2	Hex Bolt, 3/8-16 x 3"
21	44849	2	"S" Hook	46	43085	4	Hex Bolt, 5/16-18 x 1-1/2"
22	43793	2	Hose Clamp	47	HA21362	4	Nylock Nut, 3/8-16
23	43790	1	Tarp Strap, 25"		40510	1	Owners Manual
24	24958	1	Hose Hanger Bracket				
25	43088	20	Washer, 1/4" Std.				

REPAIR PARTS FOR MODEL 45-04071 SOFT TOP MOW-N-VAC IMPELLER HOUSING ASSEMBLY

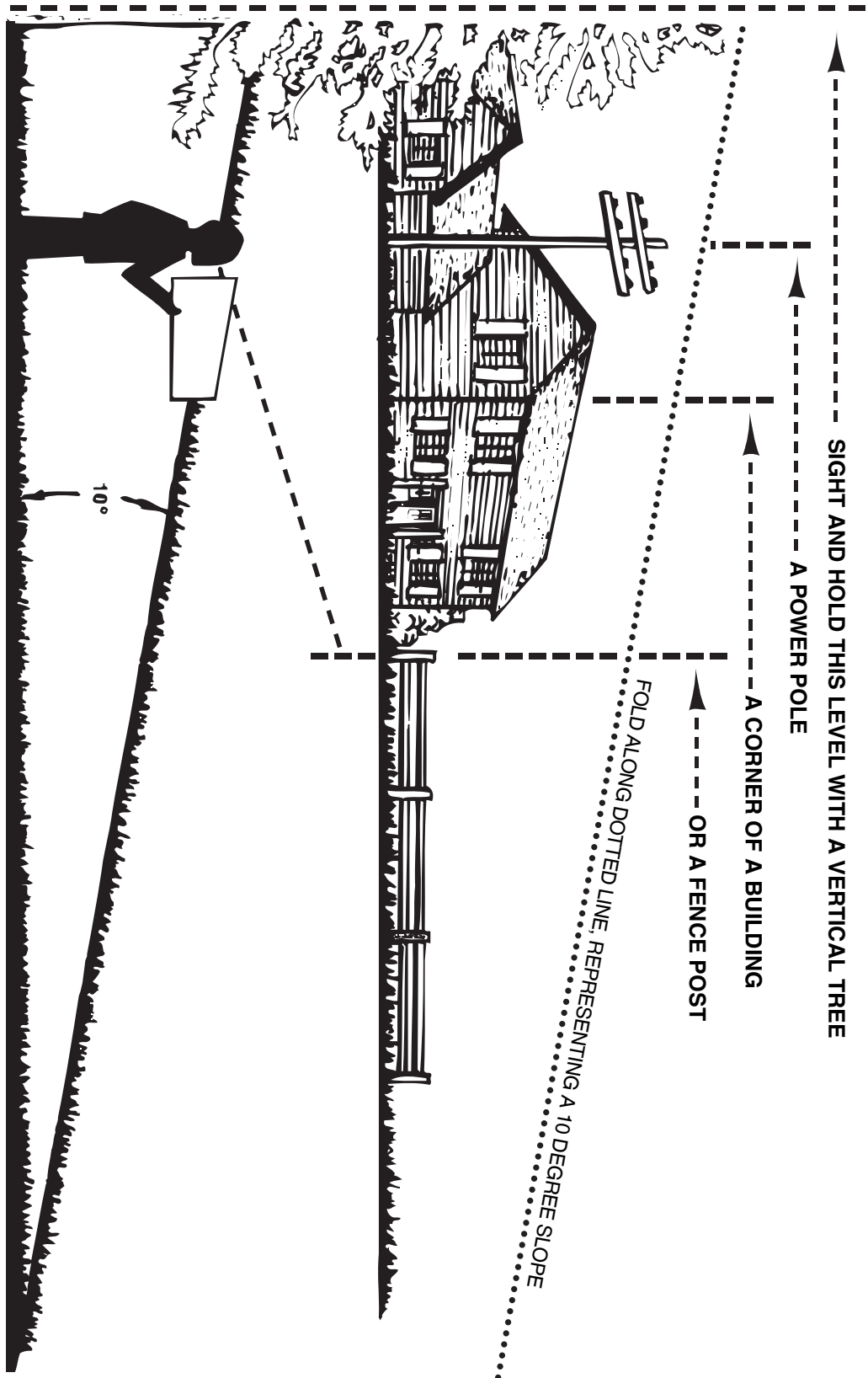


REF. NO.	PART NO.	QTY.	DESCRIPTION	REF. NO.	PART NO.	QTY.	DESCRIPTION
1	629-0241a	1	Harness, Wire	13	725-3166	1	Snap Mount Switch
2	24634	1	Housing Assembly, Inner	14	726-0272	1	Clamp
3	24633	1	Housing Assembly, Outer	15	731-1613	1	Switch Cover
4	43182	10	Hex Bolt, 5/16-18 x 3/4"	16	24958	1	Hose Hanger Bracket
5	40320	4	Hex Bolt, 5/16-24 x 1-1/4"	17	48848	3	Nylock Jam Nut, 5/16-18
6	710-1268	2	Screw, Self Tap #10-16 x 3/8"	18	43081	4	Washer, 5/16" Std.
7	43063	3	Hex Bolt, 5/16-18 x 1"	19	736-0247	1	Washer, 13/32" x 1-1/4"
8	712-0421	3	Wingnut	20	65428	1	Impeller Assembly
9	47810	12	Nylock Nut, 5/16-18	21	44377	1	Hex Bolt, 3/8-24 x 1"
10	43086	4	Lock Washer, 5/16"	22	43003	1	Lockwasher, 3/8"
11	23727	4	Spacer	23	49869	1	Wire Mag. Ground
12	725-1700	1	Switch Cover	24	23477	1	Key, 1/4" Sq. 2" Long

SLOPE GUIDE

(Keep this sheet in a safe place for future reference.)

Use this guide to determine if a slope is safe for the operation of your tractor and Vac. Refer also to the instructions in your vehicle owners manual.




CAUTION: DO NOT OPERATE YOUR TRACTOR AND CART ON A SLOPE IN EXCESS OF 10 DEGREES. BE SURE OF YOUR TRACTOR'S TOWING AND BRAKING CAPABILITIES BEFORE OPERATING ON A SLOPE. AVOID ANY SUDDEN TURNS OR MANEUVERS WHILE ON A SLOPE.

NOTES

NOTES

SpeedEPart *the fastest way to purchase parts* www.speedepart.com

REPAIR PARTS

Agri-Fab, Inc.
809 South Hamilton
Sullivan, IL. 61951
217-728-8388
www.agri-fab.com

This document (or manual) is protected under the U.S. Copyright Laws and the copyright laws of foreign countries, pursuant to the Universal Copyright Convention and the Berne convention. No part of this document may be reproduced or transmitted in any form or by any means, electronic or mechanical, including photocopying or recording, or by any information storage or retrieval system, without the express written permission of Agri-Fab, Inc. Unauthorized uses and/or reproductions of this manual will subject such unauthorized user to civil and criminal penalties as provided by the United States Copyright Laws.

Free Manuals Download Website

<http://myh66.com>

<http://usermanuals.us>

<http://www.somanuals.com>

<http://www.4manuals.cc>

<http://www.manual-lib.com>

<http://www.404manual.com>

<http://www.luxmanual.com>

<http://aubethermostatmanual.com>

Golf course search by state

<http://golfingnear.com>

Email search by domain

<http://emailbydomain.com>

Auto manuals search

<http://auto.somanuals.com>

TV manuals search

<http://tv.somanuals.com>