

SEARS

OWNER'S
MANUAL

MODEL NO.
536.255870

Caution:
Read and follow
all Safety Rules
and Instructions
Before Operating
This Equipment



CRAFTSMAN[®]

**15.0 HP TWIN CYLINDER
ALL-WHEEL STEER
43" MOWER DECK
6-SPEED TRANSAXLE
LAWN TRACTOR**

- Assembly
- Operation
- Customer Responsibilities
- Service and Adjustment

SEARS, ROEBUCK AND CO., HOFFMAN ESTATES, IL 60179



SAFETY RULES



THESE INSTRUCTIONS ARE FOR YOUR PROTECTION. PLEASE READ THEM CAREFULLY.

IMPORTANT

THIS CUTTING MACHINE IS CAPABLE OF AMPUTATING HANDS AND FEET AND THROWING OBJECTS. FAILURE TO OBSERVE THE FOLLOWING SAFETY INSTRUCTIONS COULD RESULT IN SERIOUS INJURY OR DEATH.

I. GENERAL OPERATION:

- Know controls and how to stop quickly.
- Read, understand, and follow all instructions in the manual and on the machine before starting.
- Only allow responsible adults, who are familiar with instructions, to operate the machine.
- Wear safety glasses or eye shields when assembling or operating the machine.
- Do not operate machine when barefooted. Always wear substantial footwear, preferably steel-toed shoes.
- Do not wear loose fitting clothing that could get caught in moving parts.
- Clear the area of objects such as rocks, toys, wire, etc., which could be picked up and thrown by the blade(s).
- Be sure the area is clear of other people before mowing. Stop machine if anyone enters the area.
- Never carry passengers.
- Do not mow in reverse unless absolutely necessary. Always look down and behind before and while backing.
- Be aware of the mower discharge direction and do not point it at anyone. Do not operate the mower without either the entire grass catcher or the guard in place.
- Slow down before turning.
- Never leave a running machine unattended. Always turn off blades, set parking brake, stop engine, and remove keys before dismounting.
- Turn off blade(s) when not mowing.
- Stop engine before removing grass catcher or unclogging chute.
- Mow only in daylight or good artificial light.
- Do not operate the machine while under the influence of alcohol or drugs.
- Watch for traffic when operating near or crossing roadways.
- Use care when mowing around a fixed object to prevent the blade(s) from striking it. Never deliberately run over any foreign object.
- Use extra care when loading or unloading the machine into a trailer or truck.
- Use care when pulling loads of using heavy equipment.
 - a. Use only approved drawbar hitch points.
 - b. Limit loads to those that you can safely control.
 - c. Do not turn sharply. Use care when backing.
 - d. Use counterweight(s), wheel weight or tire chains when suggested in attachment(s) instructions.

II. SLOPE OPERATION:

Slopes are a major factor related to loss-of-control and tip-over accidents, which can result in severe injury or death. *All slopes require extra caution.* If you cannot back up the slope or if you feel uneasy on it, do not mow it.

DO

- Mow up and down slopes, not across.
- Remove obstacles such as rocks, tree limbs, etc.
- Watch for holes, ruts, or bumps. Uneven terrain could overturn the machine. *Tall grass can hide obstacles.*
- Use slow speed. Choose a low gear so that you will not have to stop or shift while on the slope.
- Follow the manufacturer's recommendations for wheel weights or counterweights to improve stability.
- Use extra care with grass catchers or other attachments. These can change the stability of the machine.
- Keep all movement on the slopes *slow and gradual*. Do not make sudden changes in speed or direction.
- Avoid starting or stopping on a slope. If tires lose traction, turn off the blade(s) and proceed slowly *straight* down the slope.

DO NOT

- Do not turn on slopes unless necessary, and then slowly and gradually downhill, if possible.
- Do not mow near drop-offs, ditches or embankments. The

mower could suddenly turn over if a wheel is over the edge of a cliff or ditch, or if an edge caves in.

- Do not mow on wet grass. Reduced traction could cause sliding.
- Do not try to stabilize the machine by putting your foot on the ground.
- Do not use grass catcher on steep slopes.

III. CHILDREN:

Tragic accidents can occur if the operator is not alert to the presence of children. Children are often attracted to the machine and the mowing activity. *Never* assume that children will remain where you last saw them.

- Keep children out of the mowing area and under the watchful care of another responsible adult.
- Be alert and turn machine off if children enter the area.
- Before and when backing, look behind and *down* for small children.
- Never carry children. They may fall off and be seriously injured or interfere with safe machine operation.
- Never allow children to operate the machine.
- Use extra care when approaching blind corners, shrubs, trees, or other objects that may obscure vision.

IV. SERVICE:

- Use extra care in handling gasoline and other fuels. They are flammable and vapors are explosive.
 - a. Use only an approved container.
 - b. Never remove gas cap or add fuel with the engine running. Allow engine to cool before re-fueling. Do not smoke.
 - c. Never re-fuel the machine indoors.
 - d. Never store the machine or fuel container inside where there is an open flame, such as in a water heater.
- Check fuel supply before each use allowing space for expansion as the heat of the engine and/or sun can cause gasoline to expand and overflow the tank.
- Use extra care when handling battery acid. Acid contact with skin may cause severe burns. Eye contact may cause blindness.
- Use extra care when servicing the battery. Explosive gas is produced in the battery. Do not service the battery while smoking or near an open spark or flame. This may cause the battery to explode causing serious injury.
- Never run a machine inside a closed area. Exhaust fumes contain CARBON MONOXIDE, an ODORLESS and DEADLY GAS.
- Keep nuts and bolts, especially blade attachment bolts, tight and keep equipment in good condition.
- Never tamper with safety devices. Check their operation regularly.
- Do not change the engine governor settings or over speed engine.
- Reduce fire hazards. Keep machine free of grass, leaves, or other debris build-up. Clean up oil or fuel spillage. Allow machine to cool before storing.
- Stop and inspect the equipment if you strike an object. Repair, if necessary, before restarting.
- Never make adjustments or repairs with the engine running.
- Grass catcher components are subject to wear, damage, and deterioration, which could expose moving parts or allow objects to be thrown. Frequently check components and replace with manufacturer's recommended parts, when necessary.
- Mower blade(s) are sharp and can cut. Wrap the blade(s) or wear gloves, and use extra caution when servicing them.
- Check brake operation frequently. Adjust and service as required.



LOOK FOR THIS SYMBOL TO POINT OUT IMPORTANT SAFETY PRECAUTIONS. IT MEANS--ATTENTION!!! BECOME ALERT!!! YOUR SAFETY IS INVOLVED.

CONGRATULATIONS on your purchase of a Sears Craftsman Tractor. It has been designed, engineered and manufactured to give you the best possible dependability and performance.

Should you experience any problem you cannot easily remedy, please contact your nearest Sears Service Center/Department. We have competent, well-trained technicians and the proper tools to service or repair this unit.

Please read and retain this manual. The instructions will enable you to assemble and maintain your tractor properly. Always observe the "SAFETY RULES."

<p>MODEL NUMBER 536.255870</p> <p>SERIAL NUMBER _____</p> <p>DATE OF PURCHASE _____</p> <p>THE MODEL AND SERIAL NUMBERS WILL BE FOUND ON A PLATE UNDER THE SEAT.</p> <p>YOU SHOULD RECORD BOTH SERIAL NUMBER AND DATE OF PURCHASE AND KEEP IN A SAFE PLACE FOR FUTURE REFERENCE.</p>
--

MAINTENANCE AGREEMENT

A Sears Maintenance Agreement is available on this product. Contact your nearest Sears Store for details.

CUSTOMER RESPONSIBILITIES

- Read and observe safety rules.
- Follow a regular schedule in maintaining, caring for and using your unit.
- Follow the instructions under "Customer Responsibilities" and "Storage" sections of this manual.

PRODUCT SPECIFICATIONS

HORSE POWER:	15.0		
GASOLINE CAPACITY:	2 GALLONS UNLEADED REGULAR		
OIL (3.0 Pints)	SAE 30 - above 32°F. 5W - 30* - below 32°F.		
SPARK PLUG :	Champion RJ19LM (GAP .030 in.)		
VALVE CLEARANCE:	Intake: .004 - .006 In. Exhaust: .007 - .009 In.		
GROUND SPEED:	FORWARD		
	1st	1.22	MPH
	2nd	2.51	MPH
	3rd	3.21	MPH
	4th	3.79	MPH
	5th	4.76	MPH
	6th	5.92	MPH
	REVERSE:	2.70	MPH
TIRE PRESSURE:	FRONT:	14 PSI	
	REAR:	10 PSI	
CHARGING SYSTEM:	2.4 AMPS @ 3300 RPM		
BLADE BOLT TORQUE:	30-35 FT. LBS.		

WARNING: This unit is equipped with an internal combustion engine and should not be used on or near any unimproved forest-covered, brush-covered or grass-covered land unless the engine's exhaust system is equipped with a spark arrester meeting applicable local or state laws (if any). If a spark arrester is used, it should be maintained in effective working order by the operator.

In the state of California the above is required by law (Section 4442 of the California Public Resources Code). Other states may have similar laws. Federal laws apply on federal lands. A spark arrester for the muffler is available through your nearest Sears Authorized Service Center (See REPAIR PARTS section in this manual).

CRAFTSMAN ELECTRIC START RIDING EQUIPMENT

LIMITED TWO YEAR WARRANTY ON ELECTRIC START RIDING EQUIPMENT

For two (2) years from the date of purchase, if this riding equipment is maintained, lubricated and tuned-up according to the instructions in the owner's manual, Sears will repair or replace, any parts found to be defective in material or workmanship.

This warranty does not cover:

- Expendable items which become worn during normal use, such as blades, spark plugs, air cleaners and belts.
- Tire replacement or repair caused by punctures from outside objects, such as nails, thorns, stumps, or glass.
- Repairs necessary because of operator abuse, negligence, improper storage or accident or the failure to maintain the equipment according to the instructions contained in the operator's manual.
- Riding equipment used for commercial or rental purposes.

LIMITED 90 DAY WARRANTY ON BATTERY

For 90 days from the date of purchase, if any battery included with this riding equipment proves defective in material or workmanship and our testing determines the battery will not hold a charge, Sears will replace the battery at no charge.

WARRANTY SERVICE IS AVAILABLE BY RETURNING THE RIDING EQUIPMENT TO THE NEAREST SEARS SERVICE CENTER/DEPARTMENT IN THE UNITED STATES.

This warranty gives you specific legal rights, and you may also have other rights which may vary from state to state.

SEARS, ROEBUCK AND CO., D/817WA, HOFFMAN ESTATES, IL 60179

TABLE OF CONTENTS

SAFETY RULES	2	OPERATION	12-16
PRODUCT SPECIFICATIONS	3	SERVICE AND ADJUSTMENTS	23-33
CUSTOMER RESPONSIBILITIES	3, 17-22	TROUBLE SHOOTING	34-35
WARRANTY	3	STORAGE	36
TABLE OF CONTENTS	4	REPAIR PARTS	38-63
INDEX	4	ENGINE REPAIR PARTS	64-71
TRACTOR ACCESSORIES	5	TRANSAXLE REPAIR PARTS	72-73
CONTENTS OF HARDWARE PACK	6	PARTS ORDERING/SERVICE	Back Cover
ASSEMBLY	7-11		

INDEX



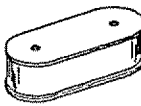
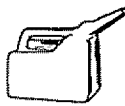

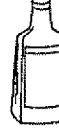


<p style="text-align: center;">A</p> <p>Accessories 5</p> <p>Adjustments:</p> <p style="padding-left: 20px;">Blade Brake 26</p> <p style="padding-left: 20px;">Brake 29</p> <p style="padding-left: 20px;">Carburetor 33</p> <p style="padding-left: 20px;">Mower Deck Leveling:</p> <p style="padding-left: 40px;">Front-To-Rear 25</p> <p style="padding-left: 40px;">Side-To-Side 24</p> <p style="padding-left: 20px;">Mower Deck Height 25</p> <p style="padding-left: 20px;">Seat 28</p> <p style="padding-left: 20px;">Throttle Control Cable 33</p> <p>Air Screen, Engine 21</p> <p>Assembly 7-11</p> <p style="text-align: center;">B</p> <p>Battery:</p> <p style="padding-left: 20px;">Charging 9</p> <p style="padding-left: 20px;">Cleaning 20</p> <p style="padding-left: 20px;">Installation 10-11</p> <p style="padding-left: 20px;">Battery Acid Levels 9, 20</p> <p style="padding-left: 20px;">Preparation 8</p> <p style="padding-left: 20px;">Starting with Weak Battery 31</p> <p style="padding-left: 20px;">Storage 36</p> <p style="padding-left: 20px;">Terminals 20</p> <p>Belt:</p> <p style="padding-left: 20px;">Tractor Drive</p> <p style="padding-left: 40px;">Removal/Replacement 27</p> <p style="padding-left: 20px;">Mower Blade Drive</p> <p style="padding-left: 40px;">Removal/Replacement 27</p> <p>Blade:</p> <p style="padding-left: 20px;">Sharpening 20</p> <p style="padding-left: 20px;">Replacement 19</p> <p>Brake Adjustment 29</p> <p style="text-align: center;">C</p> <p>Carburetor Adjustment 33</p> <p>Controls, Tractor 12</p> <p>Customer Responsibilities 3, 17-22</p> <p style="padding-left: 20px;">Air Screen, Engine 21</p> <p style="padding-left: 20px;">Battery 20</p> <p style="padding-left: 20px;">Blade 19-20</p> <p style="padding-left: 20px;">Brake Operation 19</p> <p style="padding-left: 20px;">Cooling Fins, Engine 21</p> <p style="padding-left: 20px;">Engine Oil 3, 21</p> <p style="padding-left: 20px;">Fuel Filter 22</p> <p style="padding-left: 20px;">Lubrication Chart 18</p> <p style="padding-left: 20px;">Schedule 17</p> <p style="padding-left: 20px;">Spark Plugs 22</p> <p style="padding-left: 20px;">Tire Care 9, 19, 30</p> <p>Cutting Height, Mower 14</p> <p style="text-align: center;">E</p> <p>Electrical:</p> <p style="padding-left: 20px;">Interlocks and Relays 31</p>	<p>Engine:</p> <p style="padding-left: 20px;">Air Filter 22</p> <p style="padding-left: 20px;">Air Screen 21</p> <p style="padding-left: 20px;">Cooling Fins 21</p> <p style="padding-left: 20px;">Oil Change 21</p> <p style="padding-left: 20px;">Oil Level 15, 21</p> <p style="padding-left: 20px;">Oil Type 3, 21</p> <p style="padding-left: 20px;">Preparation 15</p> <p style="padding-left: 20px;">Starting 15</p> <p style="padding-left: 20px;">Storage 36</p> <p style="text-align: center;">F</p> <p>Filter:</p> <p style="padding-left: 20px;">Fuel 22</p> <p>Fuel:</p> <p style="padding-left: 20px;">Type 3, 15</p> <p style="padding-left: 20px;">Storage 36</p> <p style="text-align: center;">H</p> <p>Headlights 31</p> <p>Hood Removal/Installation 32</p> <p style="text-align: center;">L</p> <p>Leveling, Mower Deck 24-25</p> <p>Lubrication:</p> <p style="padding-left: 20px;">Chart 18</p> <p style="text-align: center;">M</p> <p>Mower:</p> <p style="padding-left: 20px;">Adjustment, Front-To-Rear 25</p> <p style="padding-left: 20px;">Adjustment, Side-To-Side 24</p> <p style="padding-left: 20px;">Adjustment, Deck Height 25</p> <p style="padding-left: 20px;">Blade Sharpening 20</p> <p style="padding-left: 20px;">Blade Replacement 19</p> <p style="padding-left: 20px;">Brake Adjustment 29</p> <p style="padding-left: 20px;">Cutting Height 14</p> <p style="padding-left: 20px;">Installation 23-24</p> <p style="padding-left: 20px;">Operation 14</p> <p style="padding-left: 20px;">Removal 23</p> <p style="padding-left: 20px;">Mowing Tips 16</p> <p style="padding-left: 20px;">Mulching Mowing Tips 16</p> <p style="padding-left: 20px;">Muffler 22</p> <p style="padding-left: 20px;">Spark Arrester 3, 22</p> <p>Mulching Plug:</p> <p style="padding-left: 20px;">Removal 20</p> <p style="text-align: center;">O</p> <p>Oil:</p> <p style="padding-left: 20px;">Cold Weather Conditions 15, 21</p> <p style="padding-left: 20px;">Engine 21</p> <p style="padding-left: 20px;">Storage 36</p> <p style="padding-left: 20px;">Type 3, 15, 21</p> <p>Operation 12-16</p> <p>Operating Your Mower 14</p> <p>Options:</p> <p style="padding-left: 20px;">Accessories 5</p> <p style="padding-left: 20px;">Spark Arrester 3, 22</p>	<p style="text-align: center;">P</p> <p>Parking Brake 13-14</p> <p>Parts Bag 6</p> <p>Product Specifications 3</p> <p style="text-align: center;">R</p> <p>Repair Parts:</p> <p style="padding-left: 20px;">Engine 64-71</p> <p style="padding-left: 20px;">Tractor 38-63</p> <p style="padding-left: 20px;">Transaxle 72-73</p> <p style="text-align: center;">S</p> <p>Safety Rules 2</p> <p>Service and Adjustments 23-33</p> <p style="padding-left: 20px;">Blade Brake 26</p> <p style="padding-left: 20px;">Brake Rod 29-30</p> <p style="padding-left: 20px;">Carburetor 33</p> <p style="padding-left: 20px;">Choke Control 32</p> <p style="padding-left: 20px;">Control Lever 30</p> <p style="padding-left: 20px;">Fuse 31</p> <p style="padding-left: 20px;">Hood Removal/Installation 32</p> <p style="padding-left: 20px;">Tractor Drive Belt:</p> <p style="padding-left: 40px;">Removal/Replacement 27-28</p> <p style="padding-left: 20px;">Mower Blade Drive Belt:</p> <p style="padding-left: 40px;">Removal/Replacement 27</p> <p style="padding-left: 20px;">Mower Deck Adjustment:</p> <p style="padding-left: 40px;">Front-To-Rear 25</p> <p style="padding-left: 40px;">Side-To-Side 24</p> <p style="padding-left: 20px;">Mower Deck Height 25</p> <p style="padding-left: 20px;">Mower Deck Removal 23</p> <p style="padding-left: 20px;">Mower Deck Installation 23-24</p> <p style="padding-left: 20px;">Seat 28</p> <p style="padding-left: 20px;">Steering Gear 29</p> <p style="padding-left: 20px;">Tire Care 9, 19, 30</p> <p style="padding-left: 20px;">Throttle Control 33</p> <p style="padding-left: 20px;">Wheel Repair 30</p> <p>Spark Plugs 22</p> <p>Specifications 3</p> <p>Starting the Engine 15</p> <p>Steering Wheel 7</p> <p>Stopping the Tractor 13</p> <p>Storage 36</p> <p style="text-align: center;">T</p> <p>Table of Contents 4</p> <p>Throttle Control Cable</p> <p style="padding-left: 20px;">Adjustment 33</p> <p>Tires 9, 19, 30</p> <p>Tire Pressure 3, 9, 19</p> <p>Transaxle:</p> <p style="padding-left: 20px;">Cooling 20</p> <p>Troubleshooting Points 34-35</p> <p style="text-align: center;">W</p> <p>Warranty 3</p>
---	--	--

ACCESSORIES AND ATTACHMENTS

These accessories and attachments were available when the unit was purchased. They are also available at most Sears retail outlets, catalog and service centers. Most Sears stores can order these items for you when you provide the model number of your tractor.

ENGINE

CUSTOMER MAINTENANCE

SPARK PLUG	MUFFLER	AIR FILTER	GAS CAN	ENGINE OIL	STABILIZER	BLADES	BELTS
							

PERFORMANCE

Sears offers a wide variety of attachments that fit your vehicle. Many of these are listed below with brief explanations of how they can help you. This list was current at the time of publication; however, it may change in future years - more attachments may be added, changes may be made in these attachments, or some may no longer be available or fit your model. **Contact your nearest Sears store for the accessories and attachments that are available for your unit.**

Most of these attachments do not require additional hitches or conversion kits (those that do are indicated) and are designed for easy attaching and deattaching

GRASS CATCHER - lets you collect grass clippings and leaves for a healthier, neater looking lawn.

LAWN SWEEPERS - lets you collect grass clippings and leaves.

CARTS - make hauling easy. Variety of sizes available.

ROLLER - for smoother lawn surface, 36-inch wide, 18 inch diameter water tight drum holds up to 390 lbs. of weight. Rounded edges prevent harm to turf. Adjustable scraper automatically cleans drum.

SPREADERS/SEEDERS - make seeding, fertilizing and weed killing easy. Broadcast spreaders are also useful for granular deicers and sand.

CORING AERATOR - takes small plugs out of soil to allow moisture and nutrients to reach grass roots. 36-inch swath. 24 hardened steel coring tips. 150 lbs. capacity weight tray.

AERATOR - promotes deep root growth for a healthy lawn. Tapered 2.5" steel spikes mounted on 10-inch diameter discs puncture holes in soil at close intervals to let moisture soak in. Steel weight tray for increased penetration.

MULCH RAKE/DETHATCHER - loosens soil and flips thatch and matted leaves to lawn surface to easy pick up. Twenty spring tine teeth. Useful to prepare bare areas for seeding. Available for rear mounting.

SPRAYERS - use 12-volt DC electric motor that connects to the tractor battery or other 12-volt source. Includes booms for automatic spraying when pulling and hand held wand for spot spraying. Wand has adjustable spray pattern. For applying herbicides, insecticides, fungicides, and liquid fertilizers.

48" SNOW BLADE - has a rugged, heavy gauge steel blade. Spring loaded blade glides over uneven surfaces. Can be adjusted from seat for straight position, or 35 degrees left or right. Locks in raised position for traveling. Wheel weights and tire chains are recommended.

TWO-STAGE SNOW THROWER - has a 42-inch swath and a second stage impeller capable of moving more than 70 tons of snow per hour and throwing it accurately in any direction you choose. Driver controlled discharge chute turns a 160 degree arc. Wheel weights and tire chains are recommended.

TIRE CHAINS - are heavy duty: closely spaced extra-large cross links give smooth ride, outstanding traction

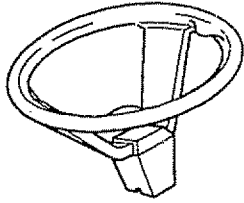
WHEEL WEIGHTS - for rear wheels provide needed traction for snow removal or dozing heavy materials. In pairs (80 lbs. each).

TRACTOR COVER protects tractor from weather. Made of Evolution 3 fabric (water-repellent, extremely breathable, light weight, soft, non-abrasive, pliable in all temperatures, durable, stain/tear/puncture resistant, will not shrink or stretch. (CATALOG ONLY)

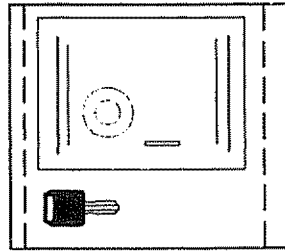
TILLER has 5 hp engine and 36" swath to prepare seed beds, cultivate and compost garden residue. Tiller has its own built-in lift and depth control system and does NOT require a sleeve hitch. Fits any lawn, yard, or garden tractor. Simply hook up to the tractor drawbar and go!

CONTENTS OF HARDWARE PACK

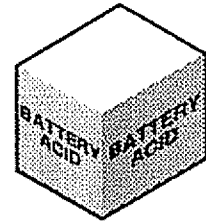
Parts packed separately in carton



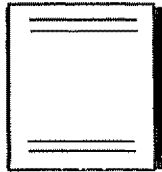
Steering Wheel



Parts Bag



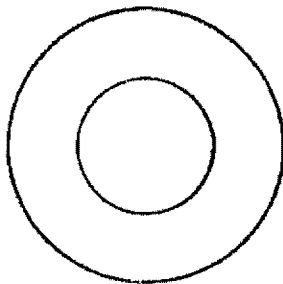
Battery Acid



Owner's Manual

Parts Bag contents shown actual size unless noted

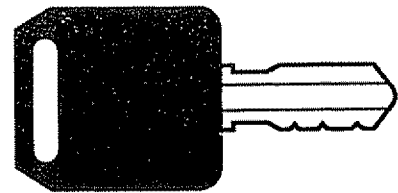
Steering Wheel Assembly Parts



1 - Spacer



1 - Spring Pin



1 - Spare Key

ASSEMBLY

TOOLS REQUIRED FOR ASSEMBLY

A socket wrench will make assembly easier. Standard wrench sizes are listed.

- (1) 3/8 inch wrench
- (1) Pliers
- (1) Utility knife
- (1) Screwdriver (Small Phillips with a 1/4 inch shank)
- (1) Hammer
- (1) Tire pressure gauge
- (2) 7/16 inch wrenches
- (1) 9/16 inch wrench
- (1) Tape measure

When right and left hand is mentioned in this manual, it means when you are in the operating position (seated behind the steering wheel).

TO REMOVE TRACTOR FROM CARTON

UNPACK CARTON

- Open top flaps. Remove cardboard from top of wood crate.

IMPORTANT: FOR SHIPPING PURPOSES THE MOWER DECK WAS NOT ASSEMBLED ON TRACTOR. THE MOWER DECK IS ATTACHED TO TOP FRAME AND SIDE PANEL OF CARTON. WHEN REMOVING MOWER DECK FROM CARTON, MAKE SURE IT DOES NOT TOUCH TRACTOR.

- Using a 3/8" wrench, remove bolt that secures mower deck hitch to top frame in top of carton.
- Remove top frame from carton.
- Carefully remove contents of parts box (see CONTENTS OF HARDWARE PACK on page 6).
- Cut down corners of side panel across from mower deck with a utility knife and lay side panel down.
- Hold side panel (with mower deck attached) upright and cut down corners.
- Carefully lower side panel with mower deck.
- Lay down end panels of carton and discard cardboard from alongside tractor.
- Remove bolt that secures mower deck to side panel of carton with 3/8" wrench.
- Remove mower deck from carton. Lay aside for installation later. Remove cardboard from discharge chute.
- Remove plastic wrap from seat and hood.

TO INSTALL STEERING WHEEL (See Fig. 1)

- Position front wheels straight forward.
- Place spacer on steering shaft.
- Place steering wheel on steering shaft. Push steering wheel down firmly.

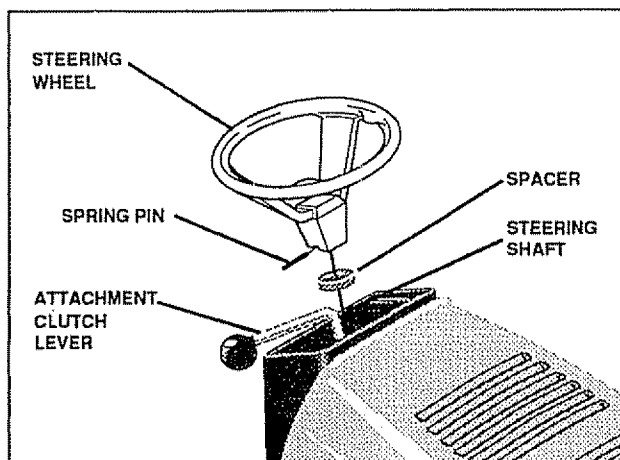
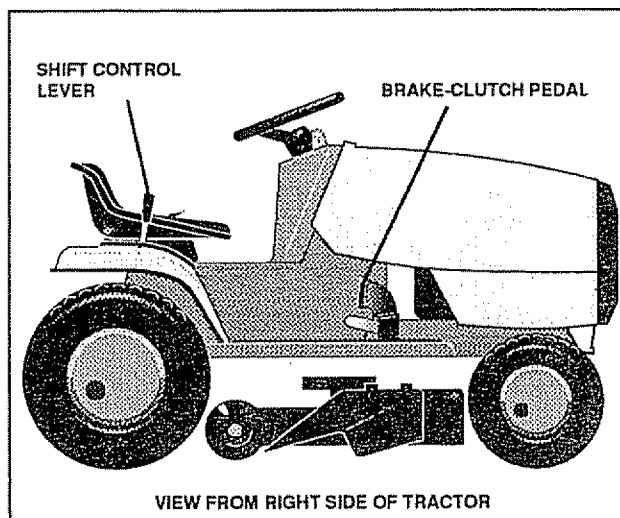


FIG. 1



VIEW FROM RIGHT SIDE OF TRACTOR

FIG. 2

- Align cross holes in steering wheel with holes in steering shaft. **NOTE:** Use a small Phillips screwdriver with a 1/4 inch shaft to align the holes. Keep screwdriver in place as you drive the spring pin in.
- From the left side, drive spring pin (found in parts bag) through opposite side with a hammer.

BEFORE ROLLING TRACTOR OFF SKID (See Fig. 2)

IMPORTANT: CHECK FOR AND REMOVE STAPLES IN SKID THAT MAY PUNCTURE TIRES OF TRACTOR BEFORE ATTEMPTING TO ROLL OFF SKID.

- Carefully cut wire ties (front and back) holding tractor to skid.
- Release parking brake by depressing brake-clutch pedal.
- Place shift control lever in **NEUTRAL** position.
- Carefully roll tractor backwards off wood skid. (ASSISTANCE MAY BE REQUIRED.)

IMPORTANT: DO NOT LIFT TRACTOR BY HOOD OR FENDER.

ASSEMBLY

HOW TO SET UP YOUR TRACTOR PREPARE BATTERY

For shipping purposes, battery is installed. Remove battery (see TO REMOVE BATTERY instructions below).



CAUTION: Wear eye and face shield.

Wash hands or clothing immediately if accidentally in contact with battery acid.

Do not smoke. Fumes from charged battery acid are explosive.

Follow the CAUTIONS located on the battery. Always wear gloves, clothing and goggles to protect your hands, skin and eyes.

TO REMOVE BATTERY (See Fig. 3) -

- Lift seat.
- Disconnect negative (-) black battery cable with a 7/16" wrench.
- Slide battery boot away from positive (+) battery terminal and disconnect positive (+) red battery cable with a 7/16" wrench.
- Remove plastic wing nut from battery hold-down rod. **NOTE:** Lay aside for battery installation later.
- Remove battery hold-down rod and battery hold-down bracket. **NOTE:** Lay aside for battery installation later.
- Lift battery out of tractor.
- Place battery on level surface.
- Proceed TO ACTIVATE THE BATTERY instructions.



DANGER



Always disconnect negative (black) cable first. Removing positive cable first can result in sparks if the wrench touches any metal surface. Be sure battery hold-down bracket does not touch battery terminals and cause a spark.

TO ACTIVATE THE BATTERY (See Fig. 4) -

- Remove vent caps from battery.
- Fill battery with battery acid. Fill each cell until it reaches bottom of vent wells. Do not over fill.
- Allow battery to stand and settle for at least thirty minutes and then check level of acid. If acid is below level outlined on electrolyte package, add more acid until correct level is reached.

IMPORTANT: TO MAXIMIZE LIFE OF YOUR BATTERY, IT IS NECESSARY THE BATTERY BE CHARGED BEFORE USE. FAILURE TO CHARGE BATTERY CAN RESULT IN SHORTENED BATTERY LIFE.

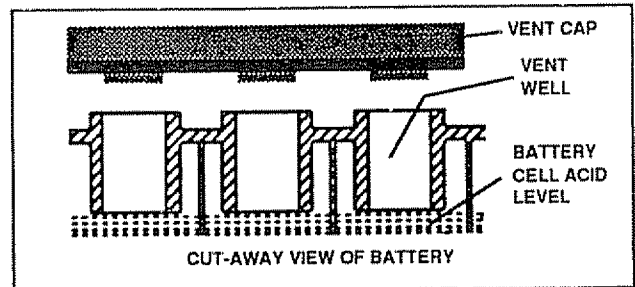


FIG. 4

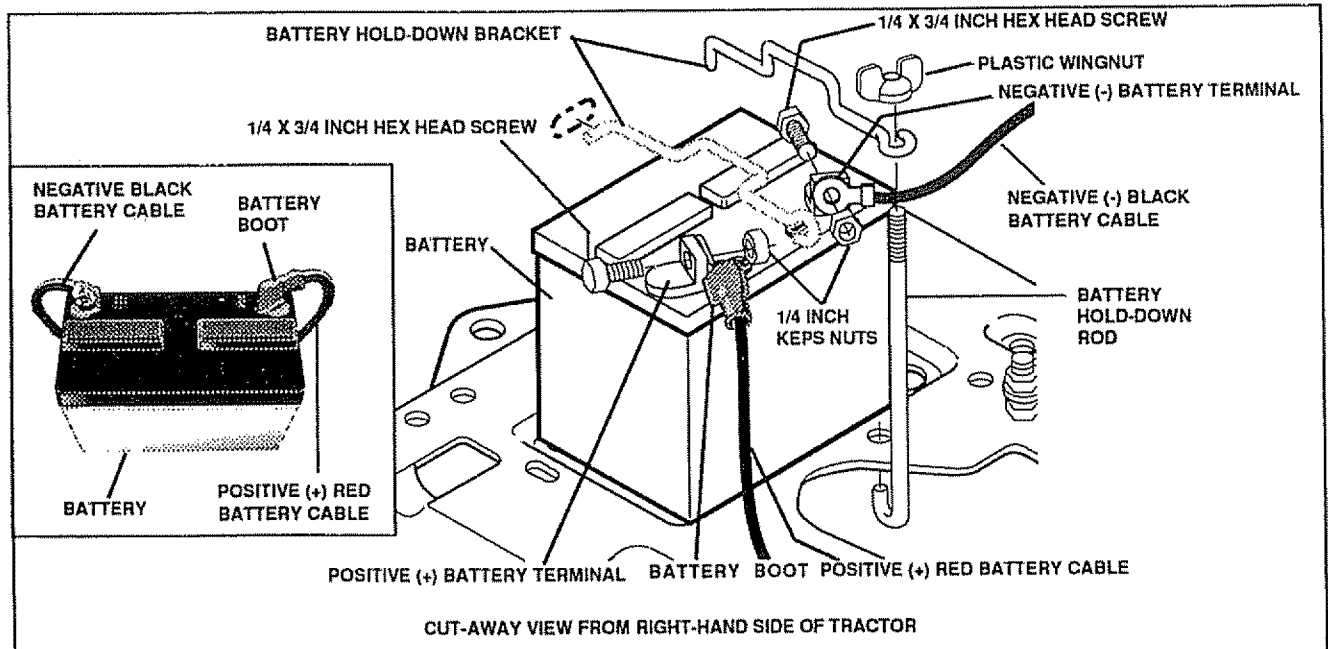


FIG. 3

ASSEMBLY



CAUTION: Handle electrolyte with care. It is an acid and poison. Always wear eye shields, and protect skin when handling acid or battery.

POISON - CAUSES SEVERE BURNS

Contains sulfuric acid.

Avoid contact with skin, eyes or clothing.

To prevent accidents, neutralize excess acid with baking soda and rinse empty container with water.

TREATMENT:

EXTERNAL - Flush with water.

INTERNAL - Drink large quantities of water or milk. Follow with milk of magnesia, beaten eggs or vegetable oil. Call physician immediately.

EYES - Flush with water for 15 minutes and get prompt medical attention.

KEEP OUT OF THE REACH OF CHILDREN

- Charge battery at a rate of six (6) amps for 1 hour. Use a 12-volt battery charger. Observe all safety precautions required for battery charging. Complete assembly section of this manual while waiting for battery to charge.
- Check acid level after the battery is charged. If acid has fallen below correct level, add distilled or iron free water.
- Install vent caps to cover vent wells. Wash top of battery with water to remove any acid, then wipe dry.
- Check battery case for leakage to make sure that no damage has occurred in handling.
- Dispose of excess battery acid. Neutralize acid for disposal by adding it to four inches of water in a five (5) gallon plastic container. Stir with a wooden or plastic paddle while adding baking soda until the addition of more soda causes no more foaming.

CHECK TIRE PRESSURE

For shipping purposes, the tires on your tractor were over-inflated at the factory. Correct tire pressure is important for best cutting performance.

- Remove hub caps by placing two fingers in hole in each cap and pulling them from the wheels.
- Use tire pressure gauge to check amount of air in tires.
- Reduce tire pressure to PSI shown in "PRODUCT SPECIFICATIONS" on page 3 of this manual
- Replace hub caps. Position on wheels and push firmly

TO INSTALL MOWER DECK

- Place cutting height adjustment in highest position by pressing cutting height adjustment pedal all the way down until it latches. See TO SELECT MOWER CUTTING HEIGHT in OPERATION section of this manual. If cutting height is not in highest position, the deck brackets will hit the lift arms while sliding the deck under the tractor.
- Place mower deck on right side of tractor with chute deflector away from tractor.

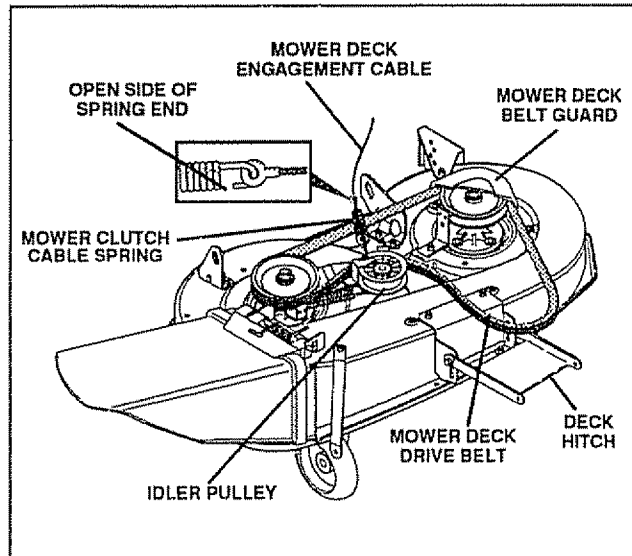


FIG. 5

- Turn front wheels of tractor to maximum left turn.
- Lift deck hitch and slide deck under tractor to a centered position.
- From left side of tractor, slide deck rearward. Then connect mower deck engagement cable to mower clutch cable spring (see Fig.5). Be sure open side of spring end is pointed down (see Fig. 5 inset).
- Verify that mower belt is routed as shown in Fig 5, and free of the deck hitch.
- Slide deck toward front of tractor. Pull lower engine pulley belt guides away from engine and slip mower deck drive belt onto lower engine pulley. Reposition belt guides to 1/16" from pulley if needed.

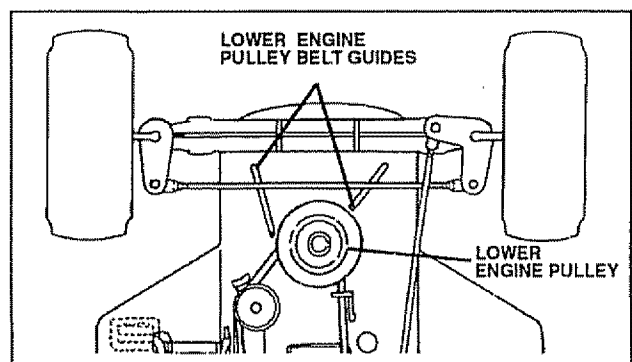


FIG. 6

ASSEMBLY

- Underneath the footrests of the tractor, remove hairpin cotters and flat washers from the left and right hand hanger pins and lay aside (see Fig. 7A).
- Remove hitch rod and hairpin cotter from front mounting bracket and lay aside (see Fig. 7B).
- Align holes in the mower deck hitch with the top set of holes in the front mounting bracket and reinstall the hitch rod and hairpin cotter (see Fig. 7B).
- Place cutting height adjustment pedal in lowest position by moving memory rod to position 1 and pressing pedal latch to release cutting height adjustment pedal. **NOTE:** Be sure left and right rear lift arms are to the inside of the left and right deck lift brackets (see Fig. 7A).
- Lift deck slightly and flex left rear hanger pin inward to snap hanger pin into left deck lift bracket slot. Secure hanger pin in place with flatwasher and hairpin cotter removed earlier.
- Lift deck slightly and flex right rear hanger pin inward to snap hanger pin into right deck lift bracket slot. Secure hanger pin in place with flatwasher and hairpin cotter removed earlier (see Fig. 7A).
- Check mower deck leveling and adjustment as required (See TO LEVEL MOWER DECK in SERVICE AND ADJUSTMENTS section of this manual).

CHECK FOR PROPER POSITION OF ALL BELTS

- See figures shown for replacing motion and mower blade drive belts in SERVICE AND ADJUSTMENTS section of this manual. Verify belts are routed correctly.

TO ADJUST MOWER DECK WHEELS (See Fig. 8)

Mower deck wheels may be adjusted to one of four positions. Always adjust both wheels to same position. **NOTE:** Do Not adjust wheels to support mower deck while mowing or uneven cutting will result

- Park tractor on a firm, level surface, such as a driveway or garage floor.
- Set cutting height adjustment to lowest anticipated cutting height. Deck wheels should be 1/4" off ground, if not, adjust as follows:
- Remove axle bolt and nut holding each wheel to wheel mounting bracket with two 9/16" wrenches.
- Change wheel height adjustment by relocating each wheel into desired hole of wheel mounting bracket.
- Reinstall bolt and nut on each side and secure nuts tightly.

CHECK BRAKE SYSTEM

- After you learn how to operate your tractor, check operation of tractor brake (see BRAKE OPERATION in CUSTOMER RESPONSIBILITIES section of this manual)

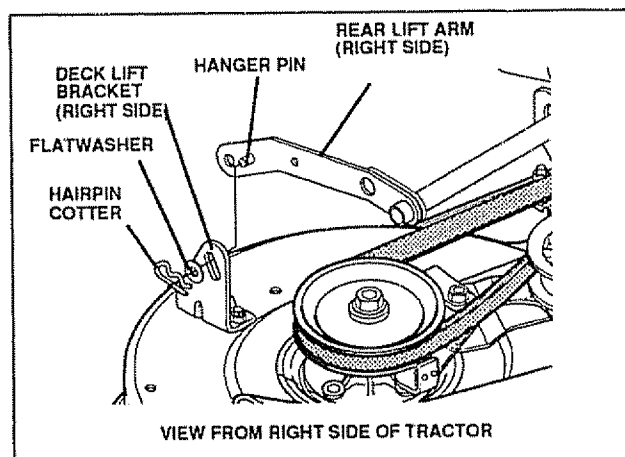


FIG. 7A

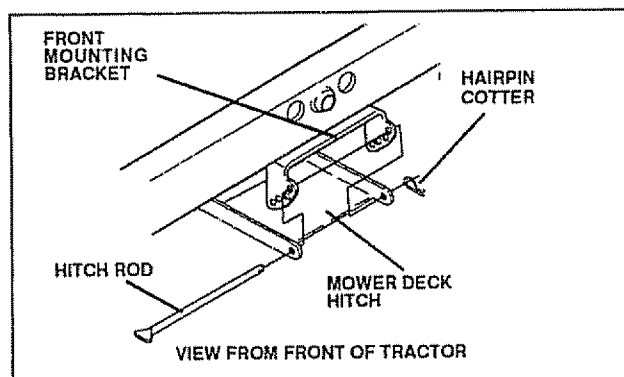


FIG. 7B

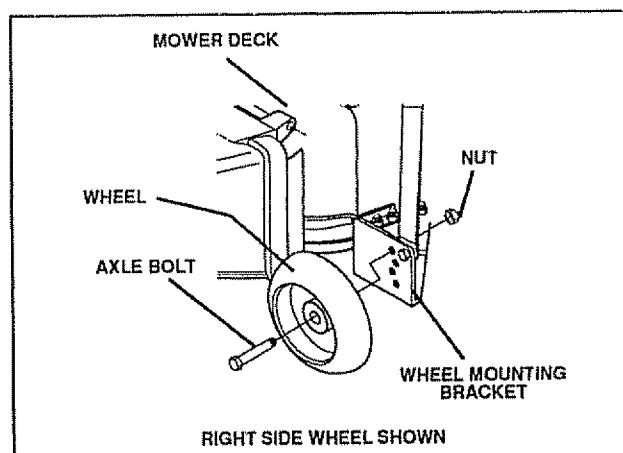


FIG. 8

REINSTALL CHARGED BATTERY (See Fig. 9)

- Raise seat and place battery back in tractor with positive (+) terminal toward right side of tractor. **NOTE:** Be sure ignition key is in OFF position.
- Place battery hold-down bracket through slot in back of console. **NOTE:** Turn bracket to side, place through slot in console and rotate upright.

ASSEMBLY



DANGER



Always connect positive (red) cable first. Connecting negative cable first can result in sparks if the wrench touches any metal surface. Be sure battery hold-down bracket does not touch battery terminals and cause a spark.

- Place hook end of battery hold-down rod through large hole in main frame and hook into small hole in front of battery.

- Place threaded end of hold-down rod through loop in bracket and secure with plastic wing nut. **NOTE:** Tighten with pliers if necessary.
- Attach positive (+) red battery cable to positive (+) terminal on battery with a 1/4 X 3/4 inch head screw and a 1/4 inch keps nut. Tighten nut securely.
- Place battery boot over positive (+) battery terminal (see Fig 9 inset).
- Attach negative (-) black battery cable to negative (-) terminal on battery with a 1/4 X 3/4 inch hex head screw and a 1/4 inch keps nut. Tighten nut securely.

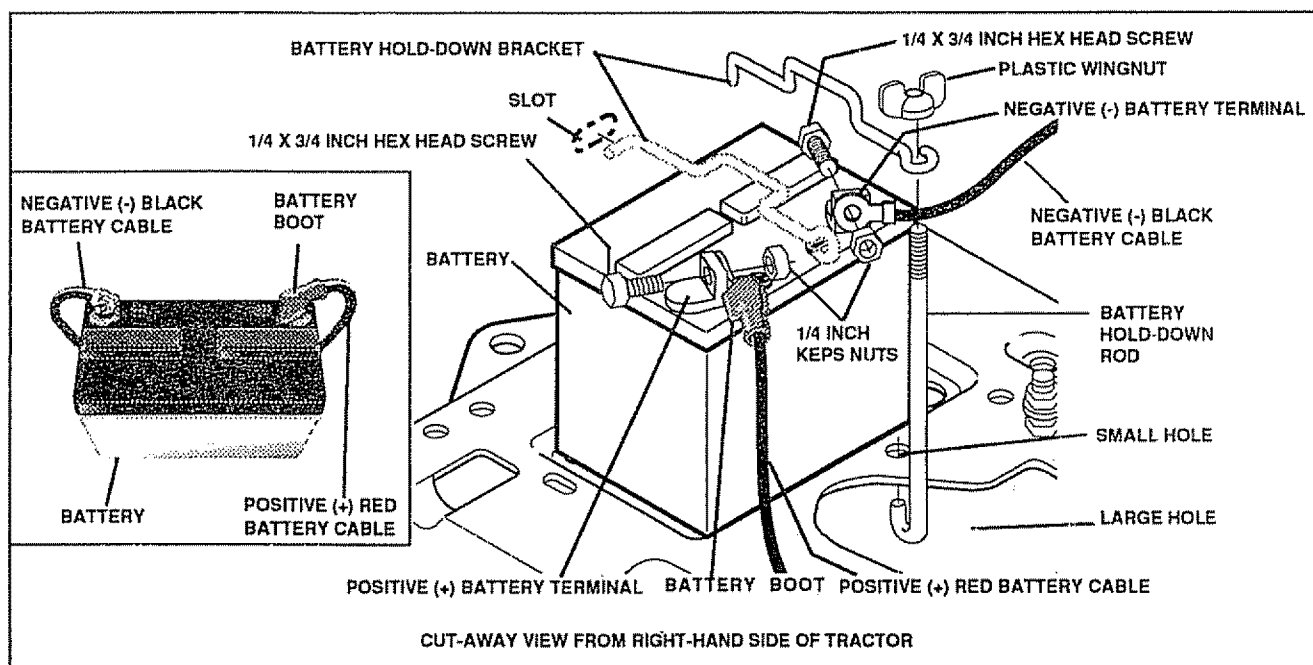


FIG. 9

✓ CHECKLIST

BEFORE YOU OPERATE AND ENJOY YOUR NEW TRACTOR, WE WISH TO ASSURE THAT YOU RECEIVE THE BEST PERFORMANCE AND SATISFACTION FROM THIS QUALITY PRODUCT.

PLEASE REVIEW THE FOLLOWING CHECKLIST:

- ✓ All assembly instructions have been completed.
- ✓ No remaining loose parts in carton.
- ✓ Battery is properly prepared and charged. (Minimum 1 hour at 6 amps).
- ✓ Seat is adjusted comfortably and tightened securely.
- ✓ All tires are properly inflated. (For shipping purposes, the tires were over-inflated at the factory).
- ✓ Be sure mower deck is properly leveled side-to-side/ front-to-rear for best cutting results. (Tires must be properly inflated for leveling).

- ✓ Check mower and drive belts. Be sure they are routed properly around pulleys and inside all belt guides.
- ✓ Check wiring. See that all connections are secure and wires are properly clamped.

WHILE LEARNING HOW TO USE YOUR TRACTOR, PAY EXTRA ATTENTION TO THE FOLLOWING IMPORTANT ITEMS:

- ✓✓ Engine oil is at proper level.
- ✓✓ Fuel tank is filled with fresh, clean, regular Unleaded gasoline.
- ✓✓ Become familiar with all controls-their location and function. Operate controls before starting engine.
- ✓✓ Be sure brake system is in safe operating condition.

OPERATION

KNOW YOUR TRACTOR

READ THIS OWNER'S MANUAL AND SAFETY RULES BEFORE OPERATING YOUR TRACTOR

Compare illustrations (see Fig. 10) with your tractor to familiarize yourself with locations of various controls and adjustments. Save this manual for future reference.

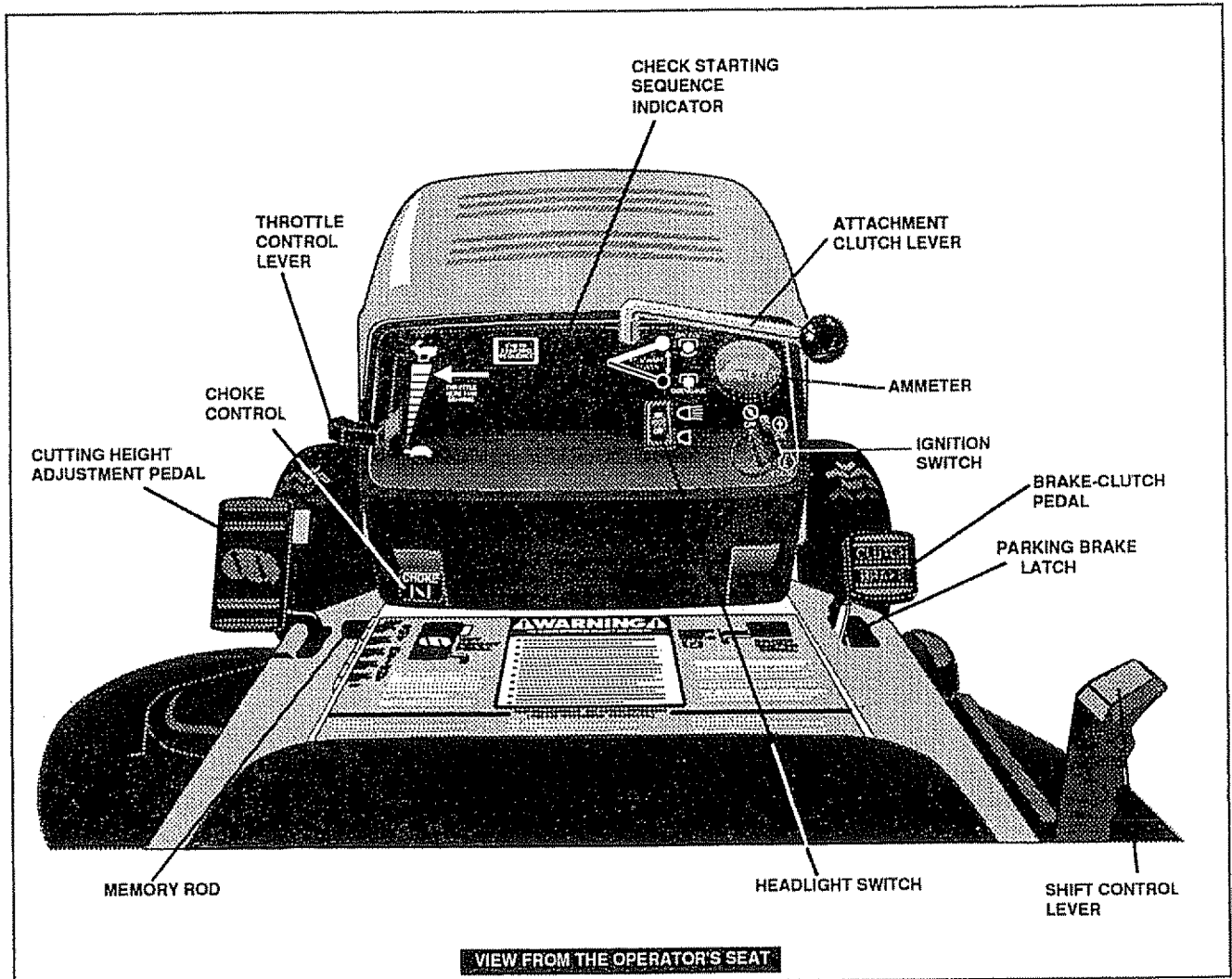


FIG. 10

SEARS LAWN TRACTORS conform to the safety standards of THE AMERICAN NATIONAL STANDARDS INSTITUTE

Ignition Switch - Used to start and stop engine.

Choke Control - Used to start a cold engine.

Throttle Control Lever - Controls speed of engine.

Headlight Switch - Turns headlights on or off.

Ammeter - Shows battery is being charged when engine is running.

Check Starting Sequence Indicator - Indicator lights if wrong starting procedure was used.

Brake-Clutch Pedal - Used to clutch and brake tractor and start engine.

Shift Control Lever - Used to select ground speed ranges and direction of motion (forward-neutral-reverse).

Parking Brake Latch - Used to lock brake-clutch pedal down in park position.

Cutting Height Adjustment Pedal - Used to change height of cut.

Memory Rod - Used with Cutting Height Adjustment Pedal to select cutting height.

Attachment Clutch Lever - Used to engage or disengage power to mower deck blades.

OPERATION



The operation of any tractor can result in foreign objects being thrown into the eyes, which can result in severe eye damage. Always wear safety glasses or eye shields while operating your tractor or performing any adjustments or repairs.

We recommend standard safety glasses, available at SEARS Retail or Catalog Stores, or a wide vision safety mask for over your glasses.

CUT HEIGHT

TO CHANGE CUT HEIGHT

1. FULLY DEPRESS CUT HEIGHT PEDAL
2. POSITION MEMORY ROD TO DESIRED HEIGHT
3. RELEASE CUT HEIGHT PEDAL

TO TRANSPORT

1. FULLY DEPRESS CUT HEIGHT PEDAL

! WARNING !

TO AVOID SERIOUS INJURY OR DEATH

- READ OPERATORS MANUAL(S)
- KNOW LOCATION & FUNCTION OF ALL CONTROLS
- KEEP GUARDS, SAFETY SHIELDS AND SWITCHES IN PLACE AND WORKING PROPERLY
- REMOVE OBJECTS THAT CAN BE THROWN BY BLADE(S)
- DO NOT MOW WHEN CHILDREN OR OTHERS ARE AROUND
- NEVER CARRY CHILDREN OR PASSENGERS
- LOOK DOWN AND BEHIND BEFORE AND WHILE BACKING
- DO NOT MOW WHERE MOWER CAN TIP OR SLIP
- IF MACHINE STOPS GOING UP HILL, DISENGAGE BLADE(S) AND BACK DOWN SLOWLY
- REMOVE KEY WHEN LEAVING MACHINE
- AVOID SUDDEN TURNS
- GO UP AND DOWN SLOPES, NOT ACROSS

OPERATING INSTRUCTIONS
(READ OWNERS MANUAL)

PARKING BRAKE LEVER

BRAKE CLUTCH PEDAL

ALWAYS SET PARKING BRAKE BEFORE LEAVING OR ENGINE WILL STOP

TO SET PARKING BRAKE

1. FULLY DEPRESS BRAKE/CLUTCH PEDAL
2. PUSH LEVER FORWARD AND HOLD
3. RELEASE BRAKE/CLUTCH PEDAL

TO RELEASE PARKING BRAKE

1. FULLY DEPRESS BRAKE/CLUTCH PEDAL LEVER WILL RELEASE

TO START

1. DISENGAGE ATTACHMENT CLUTCH
2. FULLY DEPRESS BRAKE/CLUTCH PEDAL
3. SHIFT TO NEUTRAL
4. SET THROTTLE TO FULL (CHOKE IF NEEDED)
5. TURN IGNITION TO START

TO STOP

1. FULLY DEPRESS BRAKE/CLUTCH PEDAL
2. DISENGAGE ATTACHMENT CLUTCH
3. SHIFT TO NEUTRAL
4. ENGAGE PARKING BRAKE
5. TURN IGNITION TO OFF

TO SHIFT GEARS

1. FULLY DEPRESS BRAKE/CLUTCH PEDAL
2. SHIFT TO DESIRED GEAR
3. RELEASE BRAKE/CLUTCH PEDAL SLOWLY

HOW TO USE YOUR TRACTOR

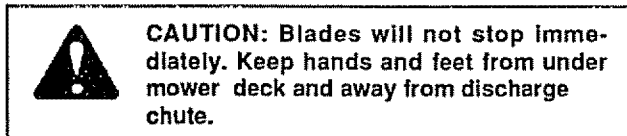
TO SET PARKING BRAKE

- Depress brake-clutch pedal fully (all the way down) and hold.
- Push parking brake lever forward and engage notch in parking brake lever against main frame.
- To release parking brake, apply pressure to brake-clutch pedal and spring will automatically release parking brake lever.

STOPPING

MOWER BLADES -

- Pull the clutch lever rearward to the **DISENGAGED** position.



TRACTOR -

- Depress brake-clutch pedal fully (all the way down).
- Place shift control lever in **NEUTRAL** position.
- Set parking brake before leaving tractor.

ENGINE -

- Move throttle control to **SLOW** position.
- Turn ignition key to **OFF** position and remove key. Always remove key when leaving vehicle to prevent unauthorized use.

- Never use choke to stop engine.

NOTE: Under certain conditions when unit is standing idle with engine running, hot engine gases may cause "browning" of grass. To eliminate this possibility, always stop engine when stopping tractor on grass areas.

TO USE CHOKE CONTROL

Use choke control whenever you are starting a cold engine. Do not use to start a warm engine.

- To engage choke control, pull knob out. Slowly push knob in as engine warms up to disengage.

TO USE THROTTLE CONTROL

- **FAST** throttle position is necessary for best bagging and mowing performance.
- Operating engine at other than **FAST** position reduces battery charging rate and the engine cooling air flow.

TO MOVE BACKWARD AND FORWARD

The direction of motion (forward - reverse) and ground speed ranges (1-2-3-4-5-6) are controlled by shift control lever.

- Start tractor with brake-clutch pedal depressed and shift control lever in **NEUTRAL** position.
- Move shift control lever to reverse or forward speed range. **NOTE:** Always come to a full stop before changing direction of motion.
- Slowly release brake-clutch pedal to start movement.

OPERATION

TO SELECT MOWER CUTTING HEIGHT (See Fig. 11)

The cutting height is selected by placing the memory rod in the desired height position. The cutting height range is approximately 2 to 4 inches.

- Press cutting height adjustment pedal all the way down until it latches.
- Move memory rod to desired cutting height. Lowest cutting height is toward front of tractor and highest is toward rear of tractor. The latched pedal position is the highest cutting position.
- Press pedal latch to release pedal, mower deck will lower to the desired cutting height.
- The memory positions (1 thru 5) change height of cut approximately 3/8 inch each. Total available cutting height adjustments exceeds 2 inches.
- The average lawn should be cut approximately 2-1/2" during cool season and over 3" during hot months. For healthier and better looking lawns, mow often and after moderate growth.
- For best cutting performance, grass over 6" in height should be mowed twice. Make the first cut at the highest position; the second to desired height.

If cutting blades do not cut evenly, go to "TO ADJUST MOWER DECK HEIGHT" and "TO LEVEL MOWER DECK" instructions.

TO OPERATE MOWER

Your tractor is equipped with an operator presence sensing switch. Any attempt by the operator to leave the seat with engine running and brake-clutch pedal not fully depressed with parking brake lever locked, and/or attachment clutch lever engaged, will shut off engine.

- Select desired height of cut with cutting height adjustment pedal.
- TO START MOWER - Slowly move attachment clutch lever to **ENGAGED** position.
- TO STOP MOWER - Move attachment clutch lever to **DISENGAGED** position.



CAUTION: Do not operate the mower without either discharge chute deflector, or entire grass catcher, on mowers so equipped, in place.

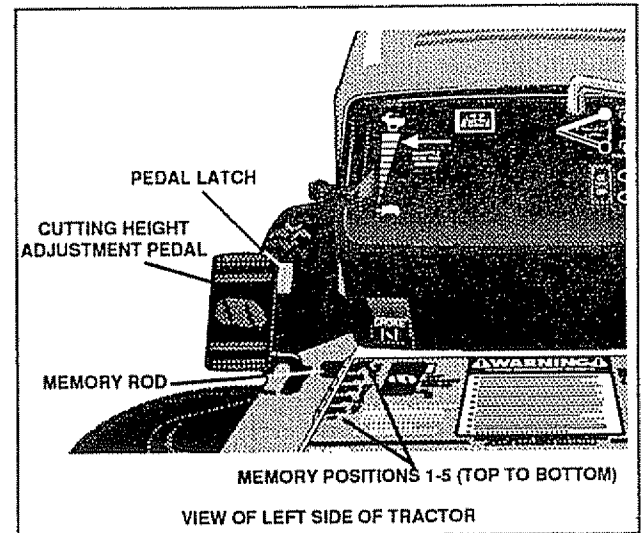


FIG. 11

TO OPERATE ON HILLS



CAUTION: On slopes, be very cautious and avoid sharp turns to prevent tipping or loss of control. **NEVER** carry passengers.

- Choose slowest speed before starting up or down hills.
- Avoid stopping, starting or changing speed on hills.
- If slowing is necessary, move throttle control lever to slower position.
- If stopping is necessary, push brake-clutch pedal fully (all way down) and engage parking brake.
- Move shift control lever to **NEUTRAL** position.
- To restart movement, release parking brake and move shift control lever to 1st gear. Be sure you have allowed enough room for unit to roll slightly as you restart movement.
- Make all turns slowly.

TO TRANSPORT TRACTOR

- Fully depress cutting height adjustment pedal into highest position.
- When pushing or towing your unit, be sure shift control lever is in **NEUTRAL** position.
- Slowly release parking brake and brake-clutch pedal.
- Do not push or tow tractor at more than five (5) MPH.

OPERATION

BEFORE STARTING THE ENGINE

CHECK ENGINE OIL LEVEL

Read OPERATION and CUSTOMER RESPONSIBILITIES sections of this manual before trying to start the engine.

- Check to make sure engine crankcase is full of oil. Never run engine unless crankcase is full of oil and dipstick is tightened securely into oil tube.
- To change engine oil, see ENGINE LUBRICATION in CUSTOMER RESPONSIBILITIES section of this manual.

ADD GASOLINE

- Fill tank (see Fig. 11A). Use fresh, clean, regular Unleaded gasoline. (Use of leaded gasoline will increase carbon and lead oxide deposits and reduce valve life).

IMPORTANT: WHEN OPERATING IN TEMPERATURES BELOW 32° F (0° C), USE FRESH, CLEAN WINTER GRADE GASOLINE TO HELP INSURE GOOD COLD WEATHER STARTING.

WARNING: Experience indicates that alcohol blended fuels (called gasohol or using methanol) can attract moisture which leads to separation and formation of acids during storage. Acidic gas can damage the fuel system of an engine while in storage. To avoid engine problems, the fuel system should be emptied before storage of 30 days or longer. Drain fuel tank, start engine and let it run until fuel lines and carburetor are empty. Use fresh fuel next season. See Storage Instructions for additional information. Never use engine or carburetor cleaner products in the fuel tank or permanent damage may occur.

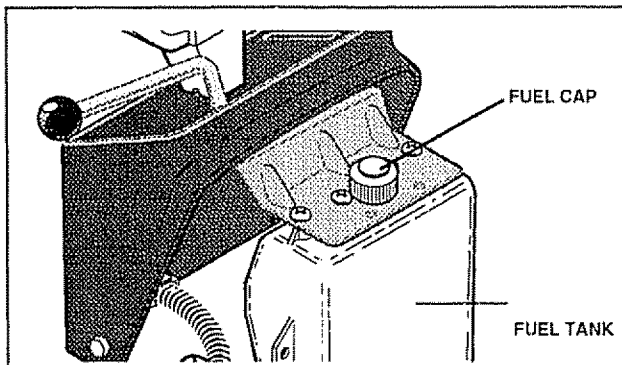


FIG. 11A



CAUTION: Fill to bottom of gas tank filler neck. Do not over fill. Wipe off any spilled oil or fuel. Do not store, spill or use gasoline near an open flame.

TO START ENGINE

When starting engine for first time or if engine has run out of fuel, it will take extra cranking time to move fuel from tank to engine.

Your tractor has two lockout switches that connect solenoid to brake-clutch pedal and attachment clutch lever. When starting engine, brake-clutch pedal must be fully depressed and attachment clutch lever must be in **DISENGAGED** position to engage lockout switches. The Check Starting Sequence indicator will light unless these conditions are met.

Your tractor is equipped with an operator presence sensing switch. The engine will stop if operator is not firmly seated in operator's seat when attachment clutch lever is engaged. Leaning forward or to one side on the seat may cause the engine to stop.

In addition, your tractor has a traction clutch switch. If operator must temporarily leave tractor seat to remove an obstruction, adjust engine, etc., the engine will stop unless the brake-clutch pedal is fully depressed and parking brake lever locked.

- Depress brake-clutch pedal and set parking brake.
- Place the shift control lever in **NEUTRAL** position.
- Move attachment clutch lever to **DISENGAGED** position.
- Pull choke control out to **CHOKE** position for cold engine start. For warm engine start, do not use choke control.
- Move throttle control to midway between **FAST** and **SLOW** positions.
- Turn ignition key clockwise to **START** position and release key as soon as engine starts. Do not run starter continuously for more than 15 seconds per minute. If engine does not start after several attempts, move throttle to **FAST** position, wait a few minutes and try again.

ALL-WHEEL STEERING FEATURE

Because both front and rear wheels turn, an all-wheel steering tractor is very maneuverable. If the tractor becomes wedged against a wall, fence or other obstruction, do the following:

- Move shift control lever to No. 1 position.
- Turn steering wheel slightly away from obstruction. **NOTE:** If you turn steering wheel sharply, rear wheels will turn in opposite direction of front wheels (turning into obstruction you are trying to move away from).
- Move shift control lever to reverse position to back out of dead ends. Be sure tractor is completely stopped before shifting into reverse.



CAUTION: Look down and behind before and while backing.

OPERATION

MOWING TIPS

- Do not use tire chains when mower housing is attached to unit
- Run the engine at **FAST** speed position.
- Control forward ground speed with shift control lever in accordance with type and quantity of grass being mowed. The more grass to be cut, a slower forward ground speed should be used. When cutting light grass, forward ground speed can be increased. By observing cutting action of your mower, you can determine the forward ground speed.
- Your mower may tend to leave unmowed strips when long and tender grass is being mowed. Tender grass has a high internal moisture content and is easily depressed by lawn tractor wheels, and may not always spring back in time to be cut. To overcome this condition, we advise mowing lawn in a counterclockwise direction, overlapping previous cut, which allows lifting action of rotating blades to lift grass into cutting path.
- When mowing large areas, start in a clockwise direction so clippings will be discharged away from shrubs, fences, driveways, etc. After one or two rounds, mow in counterclockwise direction until finished (see Fig 12).
- Be sure your mower is adjusted properly, front-to-rear and side-to-side, (see To Level Mower Deck in Service and Adjustments section)
- Only cut grass that is dry.
- Mow grass often. Short grass clippings will decay fast
- Keep blades sharp. Sharp blades will cut better.
- Your tractor is very maneuverable and can be reversed to back out of dead ends.

MULCHING MOWING TIPS

To mulch grass with a mulching mower, you will need to do several things differently than with a conventional mower.

You must change your mowing habits in order to maximize effectiveness of your mulching mower. This could mean slowing down the pace that you currently use to mow your lawn to allow the mulcher extra time to cut and recut the clippings into a fine mulch. The volume of grass that is under the deck of a mulcher is greater at any time than it is with a conventional lawn mower.

WHEN MULCHING LAWN FOR THE FIRST TIME-

- Set cutting height at highest setting and mow in one direction.
- Upon completion of first mowing, lower the cutting height to middle setting and mow a second time at 90° to first cut or in a criss-cross pattern. You can also recut in same direction by overlapping the center of the mower over the wheel tracks of the first cut.



CAUTION: Look down and behind before and while backing. Disengage mower blades before backing up.

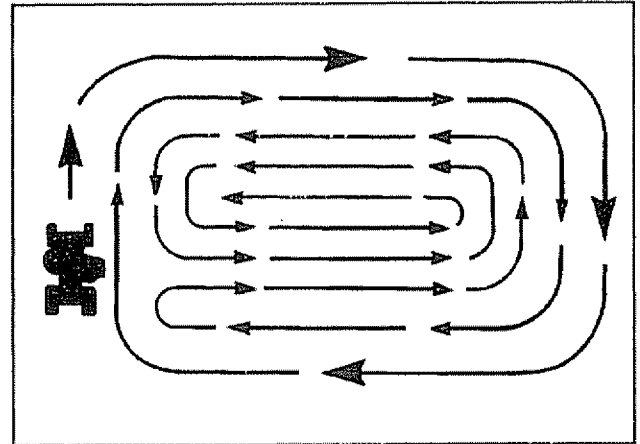


FIG. 12

RETRAINING LAWN TO BE CUT WITH MULCHING MOWER-

- Mow your lawn frequently.
- For a mulching mower to perform best, we recommend that you remove about 1" to 1-1/2" of grass with each cut. If your grass is very thick or lush, you may want to remove as little as 1/2" on final cut to produce the best possible result. This could mean that you must mow your lawn every 3-5 days under certain growing conditions.
- If the height of the grass should get out of control, we recommend that you follow instructions for first time mulching to bring lawn back to a manageable height. The optimum grass height is dependent on grass type and immediate local growing conditions. Consult your local agricultural extension office for this information.
- Keep your engine running at full speed (throttle at fast). If you slow down the engine running speed you will slow blade speed as well, which will impair the ability of the mower to cut grass properly.
- After mowing your lawn, check under the mower deck to be sure it is clean and free of grass buildup. Do not allow the grass to build up because it will impair ability of mower to cut properly.
- Keep the blade sharp. It needs to be kept sharp and free from nicks to keep from damaging the grass tips while cutting grass quickly and efficiently.
- Keep your lawn watered, fertilized frequently, and free of debris.
- Mulching mower will not perform properly in wet grass. Cut only when it is dry.

NOTE: To convert from mulching to conventional lawnmowing see TO REMOVE MULCHING PLUG in CUSTOMER RESPONSIBILITIES section of this manual.

CUSTOMER RESPONSIBILITIES

GENERAL RECOMMENDATIONS

The warranty on this tractor does not cover items that have been subjected to operator abuse or negligence. To receive full value from warranty, operator must maintain lawn tractor as instructed in this manual.

Some adjustments will need to be made periodically to properly maintain your unit.

All adjustments in the SERVICE AND ADJUSTMENTS section of this manual should be checked at least once each season.

- Once a year you should replace spark plug, clean or replace air filter, and check blades and belts for wear. A new spark plug and clean air filter assure proper air-fuel mixture and help your engine run better and last longer.

BEFORE EACH USE

- Check engine oil level.
- Check brake operation.
- Check tire pressure.
- Check for loose fasteners

CUSTOMER RESPONSIBILITIES SCHEDULE

FILL IN SERVICE DATES AS YOU COMPLETE REGULAR SERVICE

		BEFORE EACH USE						SERVICE DATES																			
		AFTER FIRST 5 HOURS		EVERY 8 HOURS		EVERY 25 HOURS																					
		EVERY 50 HOURS		EVERY 100 HOURS		BEGINNING EACH SEASON		BEFORE STORAGE																			
T R A C T O R	Check Brake Operation	✓	✓																								
	Check Tire Pressure	✓	✓																								
	Check for Loose Fasteners	✓																									
	Sharpen or Replace Mower Blades					✓ ³																					
	Lubrication Chart					✓																					
	Check Battery Level/Recharge					✓																					
	Clean Battery and Terminals					✓																					
	Check Transmission Cooling					✓																					
	Adjust Blade Belt(s) Tension										✓																
	Adjust Motion Drive Belt(s) Tension										✓																
E N G I N E	Check Engine Oil Level	✓	✓																								
	Change Engine Oil		✓			✓ ^{1,2}																					
	Clean Air Filter					✓ ²																					
	Clean Air Screen					✓ ²																					
	Inspect Muffler/Spark Arrester							✓																			
	Replace Oil Filter (if equipped)										✓ ^{1,2}																
	Clean Engine Cooling Fins										✓ ²																
	Replace Spark Plug										✓	✓															
	Replace Air Filter Paper Cartridge										✓ ²																
	Replace Fuel Filter																										

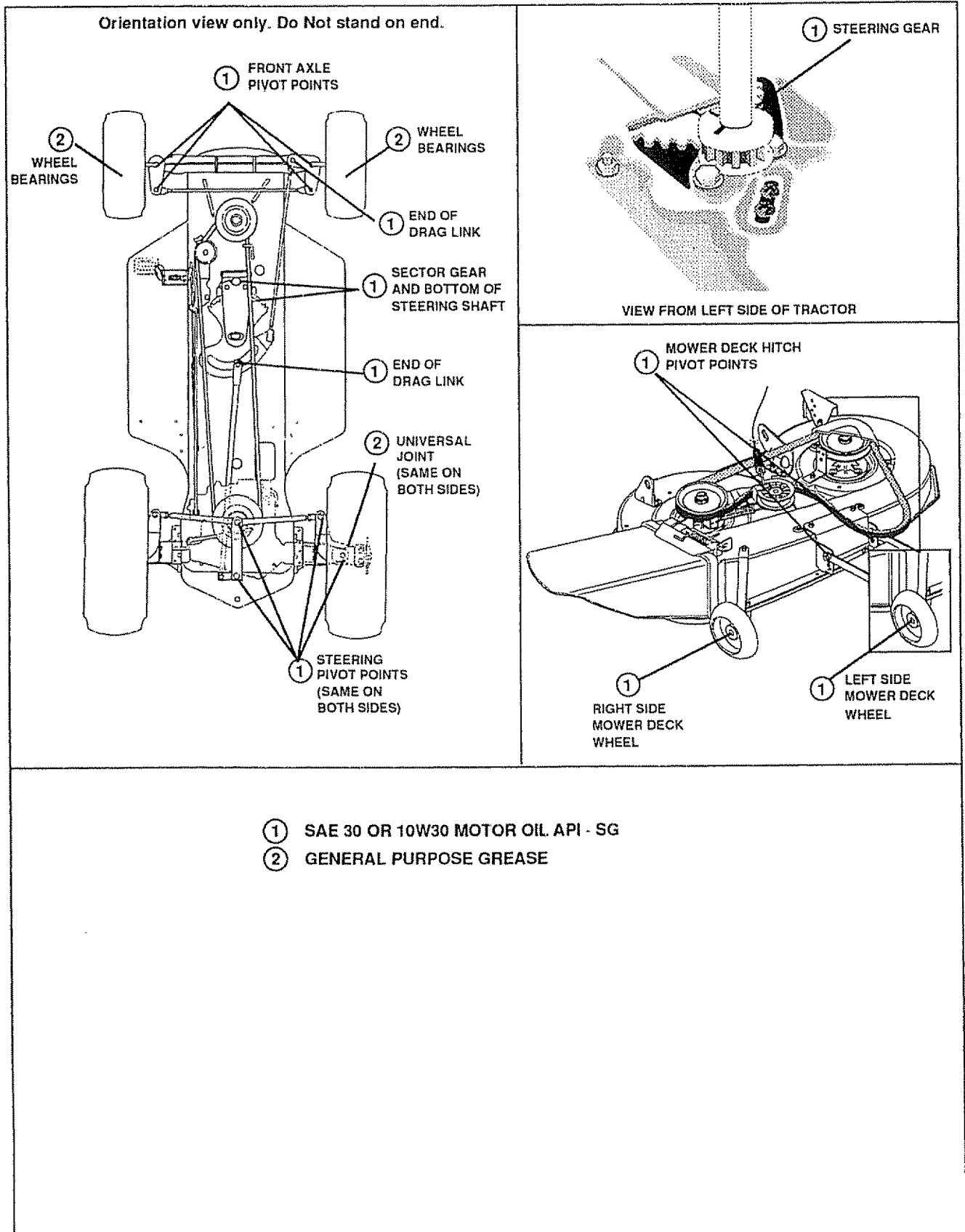
(1) Change more often when operating under a heavy load or in high ambient temperatures

(2) Service more often when operating in dirty or dusty conditions

(3) - Replace blades more often when mowing in sandy soil

CUSTOMER RESPONSIBILITIES

LUBRICATION CHART



CUSTOMER RESPONSIBILITIES

TRACTOR

Always observe safety rules when performing any maintenance.

BRAKE OPERATION

Your tractor is equipped with an adjustable disc brake. To check brake operation do the following:

- Stop tractor on a level surface and place shift control lever in **NEUTRAL** position.
- Depress brake-clutch pedal enough to latch parking brake in 2nd notch.
- Try to push tractor. If you are unable to push tractor, brake is too tight and should be loosened (see **TO ADJUST TRACTOR BRAKE** in **SERVICE AND ADJUSTMENTS** section of this manual).
- Depress brake-clutch pedal enough to latch parking brake in 4th notch.
- Try to push tractor. If you are able to push tractor, brake is too loose and should be tightened (see **TO ADJUST TRACTOR BRAKE** in **SERVICE AND ADJUSTMENTS** section of this manual).

During tractor operation, check for stopping distance. If tractor requires more than six (6) feet stopping distance at high speed in highest gear, the brake must be adjusted (see **TO ADJUST TRACTOR BRAKE** in **SERVICE AND ADJUSTMENTS** section of this manual).

TIRES

- Maintain proper air pressure in all tires. (See "PRODUCT SPECIFICATIONS" on page 3 of this manual).
- Keep tires free of gasoline, oil, or insect control chemicals which can harm rubber.
- Avoid stumps, stones, deep ruts, sharp objects and other hazards that may cause tire damage.

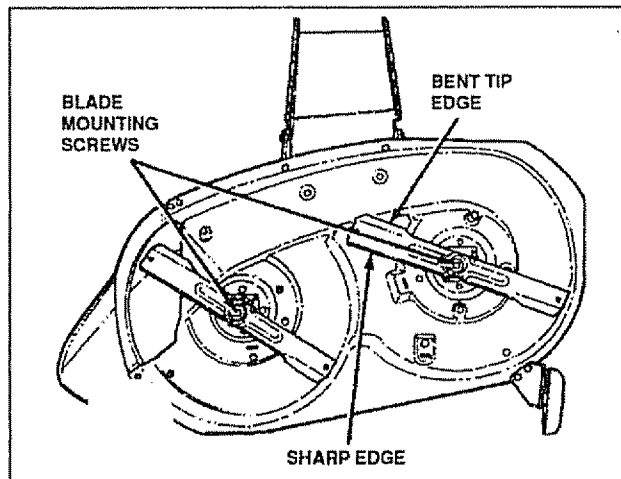


Fig. 13

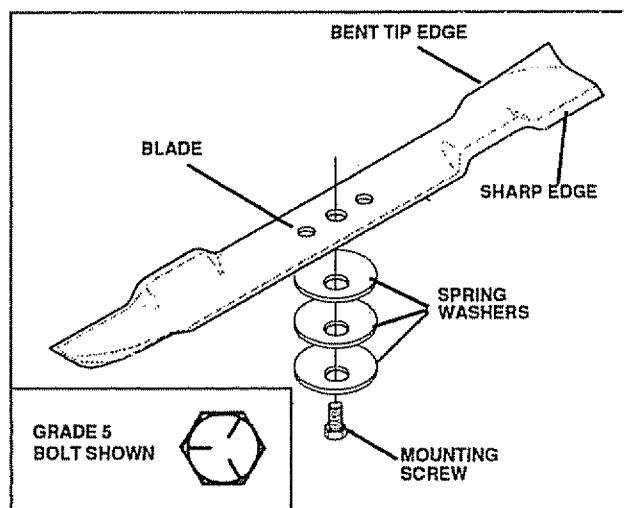


Fig. 14



CAUTION: BEFORE PERFORMING ANY SERVICE OR ADJUSTMENTS

- Fully depress brake-clutch pedal and set parking brake.
- Place shift control lever in **NEUTRAL** position.
- Place attachment clutch lever in **DISENGAGED** position.
- Turn ignition key **OFF** and remove key.
- Make sure the blades and all moving parts have completely stopped.
- **DO NOT** handle blades with bare hands. Wear gloves or wrap blade with newspaper or other material while removing or installing blade.

BLADE CARE

For best results mower blades must be kept sharp. The blades can be sharpened with a file or on a grinding wheel. We suggest they be sharpened or replaced after every 25 hours of mowing. Check blades more often if mowing in sandy conditions.

- Do not attempt to sharpen blades while they are on mower.
- Replace bent or damaged blades.

BLADE REMOVAL (See Figs. 13 and 14)

- Remove mower deck (see **TO REMOVE MOWER DECK** in this section).
- Remove blade mounting hardware securing blade.
- Install new blade with bent tip edges up. Blade will not cut if bent tip edges are not up toward top of mower deck.
- Secure blade to mower deck with mounting hardware removed earlier. Be sure all parts are re-assembled in proper order as shown.
- Tighten blade mounting bolts securely. We recommend using a 10 inch wrench or torque wrench. If a torque wrench is used, torque bolts to between 30 -35 ft lbs).

IMPORTANT: Blade mounting bolts are Grade 5 heat treated as shown in Fig. 14 inset.

CUSTOMER RESPONSIBILITIES

TO SHARPEN BLADE (See Fig. 15)

Care should be taken to keep blade balanced. An unbalanced blade will cause excessive vibration and eventual damage to mower and engine.

- Blade can be sharpened with a file or on a grinding wheel. Do not attempt to sharpen while on mower.
- Place center hole of blade over head of the nail or end of a screwdriver clamped horizontally in a vice. If blade is balanced, it should remain in a horizontal position. If either end of the blade moves downward, sharpen heavy end until the blade is balanced.

TO REMOVE MULCHING PLUG (See FIG. 16)

Your tractor has a mulching kit installed on the mower deck. To convert from mulching to regular lawnmowing, the mulching plug may be removed as follows:

- Remove the two 5/16-18 wing nuts and 5/16 lock washers from atop of mulching plug installed inside mower deck chute.
- The two 5/16-18 x .75 inch carriage bolts will drop and can be easily removed from underneath the mulching plug and toe guard.
- Remove mulching plug from mower chute. DO NOT remove toe guard. Your tractor is now ready to be used as a conventional mower.
- Store mulching plug and hardware in a safe place for future use.
- To reinstall plug reverse the above steps.

BATTERY (See Fig. 17)

Your tractor has a battery charging system which is sufficient for normal use. However, periodic charging of battery with an automotive charger will extend its life.

- The acid level in each battery should be even with bottoms of vent wells. Add only distilled or iron free water if necessary. Do not over fill.
- Keep battery and terminals clean.
- Keep battery bolts tight.
- Keep vent caps and small vent holes in caps open.
- Recharge at 6 amps for 1 hour.

TO CLEAN BATTERY AND TERMINALS -

Corrosion and dirt on battery and terminals can cause slow battery power drain.

- Remove terminal guard (if so equipped).
- Disconnect BLACK battery cable first then RED battery cable and remove battery from tractor (see **To Remove Battery** in **Assembly** section of this manual).
- Wash battery with solution of four tablespoons of baking soda to one gallon of water. Be careful not to get soda solution into cells.
- Rinse battery with plain water and dry.
- Clean terminals and battery cable ends with wire brush until bright.

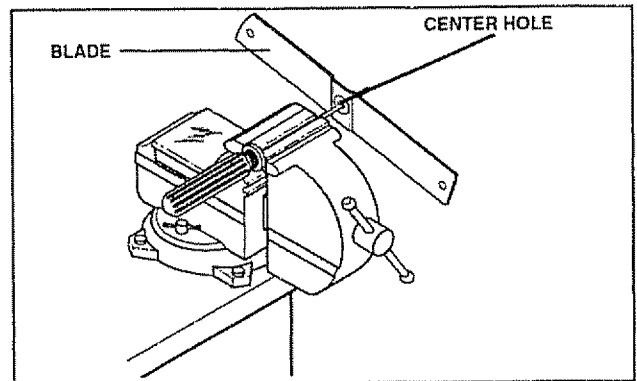


Fig. 15

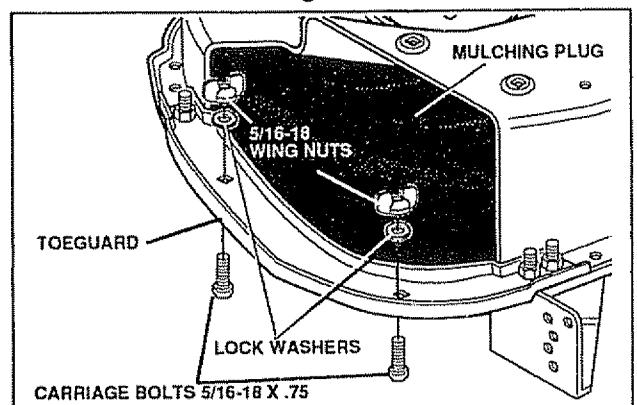


Fig. 16

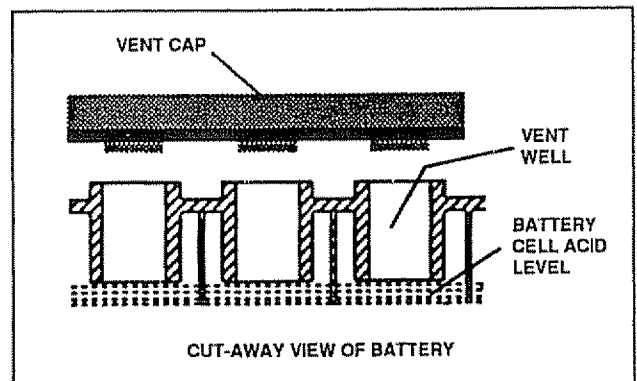


FIG. 17

- Coat terminals with grease or petroleum jelly.
- Reinstall battery (see **TO INSTALL BATTERY** in **ASSEMBLY** section of this manual).

V-BELTS

Check V-belts for deterioration and wear after 100 hours and replace if required. The mower blade drive belt and tractor drive belts can be adjusted to provide longer belt life (see **TO ADJUST BLADE DRIVE BELT** or **TO ADJUST TRACTOR DRIVE BELT** in **SERVICE AND ADJUSTMENTS** section of this manual).

TRANSAXLE COOLING

Keep transaxle free from build-up of dirt and chaff which can restrict cooling

CUSTOMER RESPONSIBILITIES

ENGINE

LUBRICATION

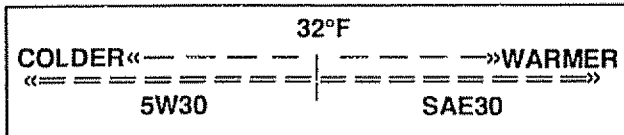
Read ENGINE instructions in this section and OPERATION section of this manual before trying to start engine.

NOTE: Be sure oil has been added to engine crankcase before trying to start engine.

OIL RECOMMENDATIONS

Only use high quality detergent oil rated with API service classification SG. Select the oil's SAE viscosity grade according to your expected operating temperature:

RECOMMENDED VISCOSITY GRADES



NOTE: Although multi-viscosity oils (5W30, 10W30, etc.) improve starting in cold weather, these multi-viscosity oils will result in increased oil consumption when used above 32°F. Check your engine oil level more frequently to avoid possible engine damage from running low on oil.

TO CHANGE ENGINE OIL (See Figs. 18 & 19)

Raise and lower hood slowly to avoid personal injury or damage to tractor.

- Be sure tractor is parked on a level surface.
- Oil will drain more freely when warm.
- Clean area around oil fill drain and cap before removing dipstick.
- Catch oil in a suitable container.
- Remove oil fill cap/dipstick. Be careful not to allow dirt to enter the engine when changing oil.
- Remove oil drain plug.
- After oil has drained completely, replace oil drain plug and tighten securely.
- Refill engine crankcase with oil through oil fill tube. Pour slowly. Do not over fill. For approximate capacity see PRODUCT SPECIFICATIONS on page 3 of this manual.
- Use gauge on oil fill cap/dipstick for checking level. Be sure oil fill cap is tightened securely for accurate reading. Keep oil at FULL line on dipstick.

AIR SCREEN (See Fig. 19)

Engine air screen must be kept free of dirt and chaff to prevent engine damage from overheating. Clean air screen with compressed air to remove dirt and stubborn dried gum fibers.

ENGINE COOLING FINS (See Fig. 20)

Grass, chaff or dirt may clog the rotating screen and the air cooling system, especially after prolonged service in cutting tall dry grasses. Yearly or every 100 hours, whichever occurs first, remove the blower housing and clean internal cooling fins and surfaces as shown to avoid overheating and engine damage. Clean more often if necessary.

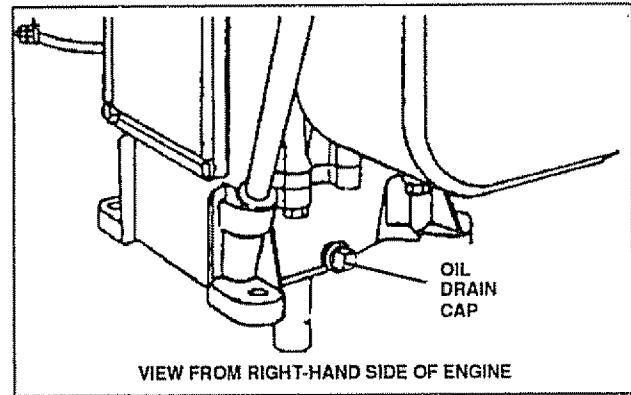


Fig. 18

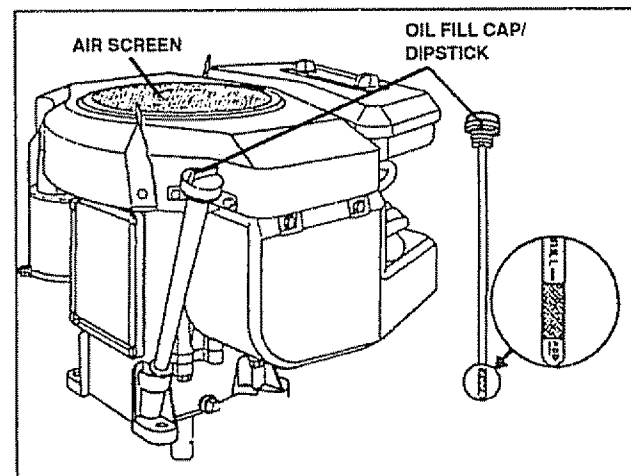


Fig. 19

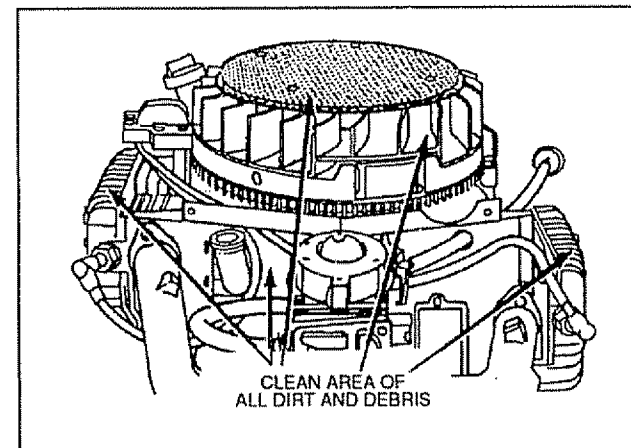


Fig. 20

CUSTOMER RESPONSIBILITIES

AIR FILTER (See Fig. 21)

Your engine will not run properly and may be damaged by using a dirty air filter. Clean foam pre-cleaner element after every 25 hours of operation or every season. Service paper cartridge every 100 hours or every season, whichever occurs first. Service air cleaner more often under dusty conditions.

- Remove knobs and air cleaner cover

TO SERVICE FOAM PRE-CLEANER-

- Remove foam pre-cleaner by sliding it off the cartridge.
- Wash foam pre-cleaner in liquid detergent and water.
- Squeeze foam pre-cleaner dry in a clean cloth.
- Saturate foam pre-cleaner in engine oil. Wrap foam pre-cleaner in clean, absorbent cloth and squeeze to remove **ALL EXCESS** oil.
- Reinstall foam pre-cleaner over cartridge.
- Reinstall air cleaner cover and tighten knobs securely.

TO SERVICE CARTRIDGE-

- Remove wing nuts and cover plate.
- Remove cartridge and clean by tapping gently on flat surface.
- If very dirty, replace or wash in a non-sudsing detergent and warm water solution. Rinse thoroughly with water from inside out until water runs clear. Let cartridge dry thoroughly before using.
- Reinstall cartridge, cover plate and wing nuts.
- Reinstall air cleaner cover and tighten knob securely

IMPORTANT: PETROLEUM SOLVENTS, SUCH AS KEROSENE, ARE NOT TO BE USED TO CLEAN CARTRIDGE. DO NOT OIL CARTRIDGE. DO NOT USE PRESSURIZED AIR TO CLEAN OR DRY CARTRIDGE.

MUFFLER

Inspect and replace corroded muffler and spark arrester (if so equipped) as it could create a fire hazard and/or damage.

SPARK PLUGS

Replace spark plugs at the beginning of each mowing season or after every 100 hours of use, whichever comes first. Spark plug type and gap setting is shown in **PRODUCT SPECIFICATIONS** on page 3 of this manual.

IN-LINE FUEL FILTER (See Fig. 22)

Fuel filter should be replaced once each season. If fuel filter becomes clogged, obstructing fuel flow to carburetor, replacement is required. Make sure new filter is installed with the **IN** marking toward the tank and the **OUT** marking toward the engine. Check fuel system components frequently and replace any parts showing wear or cracks.

- With engine cool, remove filter and plug fuel line sections.
- Place new fuel filter in position in fuel line with arrow pointing towards carburetor.
- Be sure there are no fuel line leaks and clamps are properly positioned.
- Immediately wipe up any spilled gasoline.

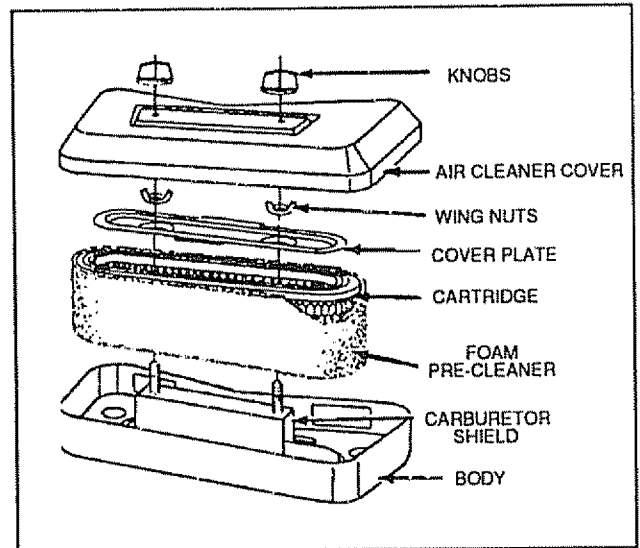


Fig. 21

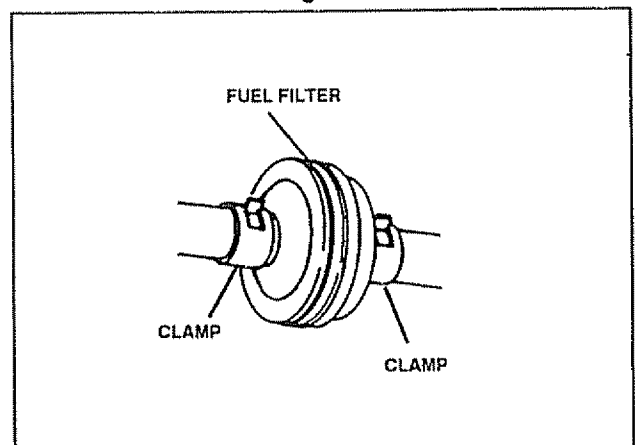


Fig. 22

CLEANING

- Clean engine, battery, seat, transaxle, finish, etc. of all foreign matter.
- Keep finished surfaces and wheels free of all gasoline, oil, etc.
- Protect painted surfaces with automotive type wax.

We do not recommend using a garden hose to clean your tractor unless electrical system, muffler, air filter and carburetor are covered to keep water out. Water in engine can shorten engine life.

SERVICE AND ADJUSTMENTS



CAUTION: BEFORE PERFORMING ANY SERVICE OR ADJUSTMENTS

- Depress brake-clutch pedal and set parking brake.
- Place shift control lever in **NEUTRAL** position.
- Place attachment clutch lever in **DISENGAGED** position.
- Turn ignition key **OFF** and remove key.
- Make sure the blades and all moving parts have completely stopped.

TRACTOR TO REMOVE MOWER DECK

Remove mower deck from right side of tractor.

- Place cutting height adjustment pedal in lowest cutting position by moving memory rod to position 1 and pressing pedal latch to release cutting height adjustment pedal.
- Turn front wheels all the way to the left to allow mower deck hitch to slide past right front wheel.
- Remove hairpin cotter from mower deck hitch and remove deck hitch rod from top holes of the front mounting bracket (see Fig. 23A).
- Lower deck hitch.
- Remove hairpin cotter and Flatwasher from hanger pin of right rear lift arm and slide off right mower deck lift bracket (see Fig. 23B).
- Remove hairpin cotter and Flatwasher from hanger pin of left rear lift arm and slide off left mower deck lift bracket (see Fig. 23B).
- Pull lower engine pulley belt guides away from pulley (see Fig. 24).
- Move mower deck forward and remove mower deck drive belt from lower engine pulley. Reposition belt guides.
- Disconnect mower deck engagement cable from mower clutch cable spring (see Fig. 25)
- Place cutting height adjustment pedal in highest cutting position.
- Pull mower deck out from under right side of tractor.

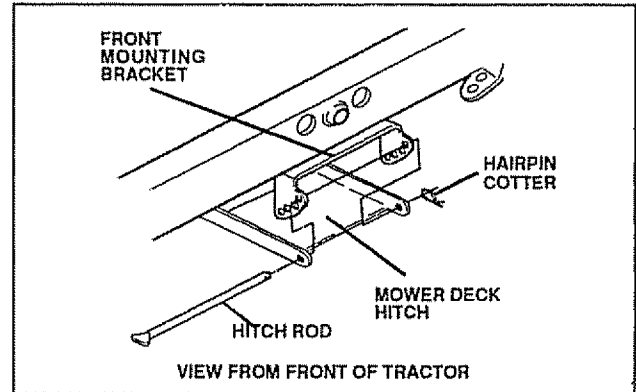


FIG. 23A

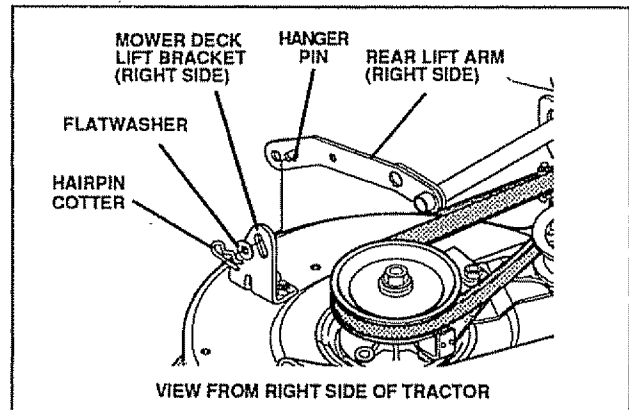


FIG. 23B

TO INSTALL MOWER DECK

- Place cutting height adjustment in highest position by pressing cutting height adjustment pedal all the way down until it latches. If cutting height is not in highest position, the deck brackets will hit the lift arms while sliding the deck under the tractor.
- Place mower deck on right side of tractor with chute deflector away from tractor.
- Turn front wheels of tractor to maximum left turn.
- Lift deck hitch and slide deck under tractor to a centered position.
- From left side of tractor, slide deck rearward. Then connect mower deck engagement cable to mower clutch cable spring (see Fig. 25). Be sure open side of spring end is pointed down (see Fig. 25 inset).

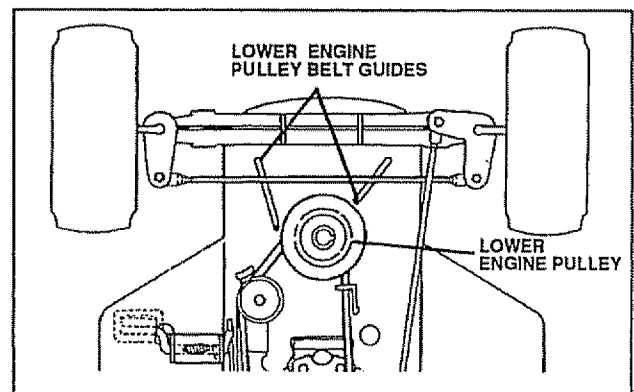


FIG. 24

SERVICE AND ADJUSTMENTS

- Slide deck toward front of tractor. Pull lower engine pulley belt guides away from engine and slip mower deck drive belt onto lower engine pulley. Reposition belt guides to 1/16" from pulley.
- Underneath the footrests of the tractor, remove hairpin cotter and flatwashers from left and right hand hanger pins and lay aside (see Fig. 23B).
- Remove hitch rod and hairpin cotter from front mounting bracket and lay aside (see Fig. 23A).
- Align holes in the mower deck hitch with the top set of holes in the front mounting bracket and reinstall the hitch rod and hairpin cotter.
- Place cutting height adjustment pedal in lowest position by moving memory rod to position 1 and pressing pedal latch to release cutting height adjustment pedal. **NOTE:** Be sure left and right lift arms are to the inside of left and right deck lift brackets (see Fig. 23B).
- Lift deck slightly and flex left rear hanger pin inward to snap hanger pin into left deck lift bracket slot. Secure hanger pin in place with Flatwasher and hairpin cotter removed earlier.
- Lift deck slightly and flex right rear hanger pin inward to snap hanger pin into right deck lift bracket slot. Secure hanger pin in place with Flatwasher and hairpin cotter removed earlier (see Fig. 23B).
- Check mower deck leveling and adjustment as required. See **TO LEVEL MOWER DECK** in this section of the manual.

TO LEVEL MOWER DECK

Adjust mower deck while tractor is parked on level ground or driveway. Make sure tires are properly inflated (see **PRODUCT SPECIFICATIONS** on page 3 of this manual). If tires are over or under inflated, you will not properly adjust your mower deck.

The tractor main frame should be level across front from left side to right side. If main frame will not sit level, two outside axle mounting screws may be too tight. The outside mounting screws must be loose enough to allow front axle to pivot. **NOTE: Do Not loosen center mounting screw.**

- Check and adjust height of mower deck (see **TO ADJUST MOWER DECK HEIGHT** in this section)
- Place mower deck cutting height adjustment in mid-cut position (No 3) for all adjustments.

SIDE-TO-SIDE ADJUSTMENT (See Fig. 26A)

- Measure height, from level surface, of left and right blade tips at outside edge of mower deck. If blades are equal or not more than 1/8 inch difference, no side-to-side adjustment is necessary.

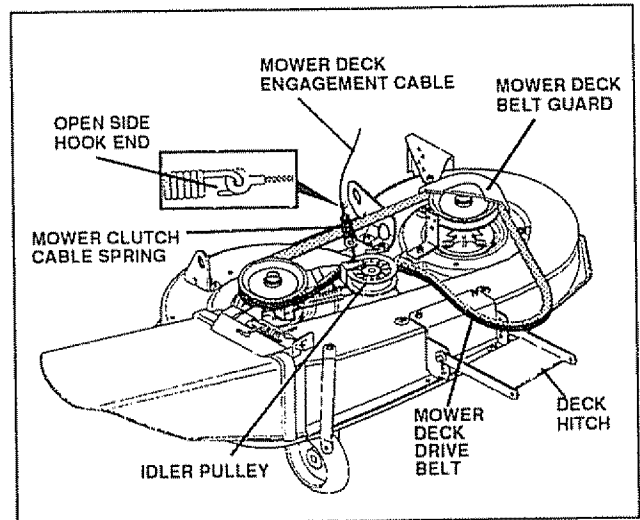


FIG. 25

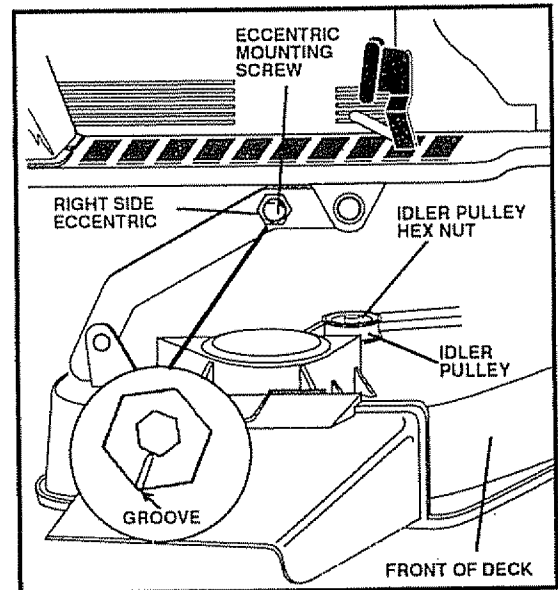


Fig. 26A

- If adjustment is necessary, loosen right side eccentric mounting screw and turn eccentric clockwise or counterclockwise as required to level mower deck. **NOTE:** When groove on eccentric is pointing down, right side of mower deck is at its lowest position. When groove is pointing up, right side of mower deck is at its highest position.
- Hold eccentric with a wrench while tightening eccentric mounting screws securely.

SERVICE AND ADJUSTMENTS

FRONT-TO-REAR ADJUSTMENT (See Fig. 26B)

- Measure height, from level surface, of right side blade tips at front and rear of mower deck. If distances are equal or not more than 1/8 inch lower in front, no adjustment is necessary.
- If adjustment is necessary, loosen front eccentric mounting screws and turn front adjustment eccentric clockwise or counterclockwise as required. **NOTE:** When groove on eccentric is pointed straight forward, front of mower deck is at lowest point. Turn both eccentrics so grooves are pointing same direction (up or down).

If more adjustment is necessary, front of mower deck may be raised or lowered by relocating eccentric mounting screws in higher or lower position on mower deck mounting bracket.

- Hold eccentric with a wrench while tightening eccentric mounting screws securely.

TO ADJUST MOWER DECK HEIGHT (See Fig. 27)

Before making any mower deck height adjustments check air pressure in all four tires. All tires must be properly inflated for mower deck height to be properly adjusted. For recommended air pressure, see "Product Specifications" on page 3.

The main frame on the lawn tractor should be level across the front from left side to right side. If main frame will not sit level, the two outside axle mounting screws must be too tight. The two outside mounting screws must be loose enough to allow front axle to pivot. **NOTE: Do Not loosen center mounting screw.**

- Place tractor on a level surface.
- Place cutting height in lowest position (No. 1 see inset).
- Measure height of mower deck from bottom edge of left front corner to ground. Height should be 1-3/4 inches. If adjustment is necessary, go to next step.
- Locate adjustment nut near left mower deck lift arm (see Fig. 27).
- Loosen jam nut on adjustment rod.
- Turn adjustment nut to obtain 1-3/4 inches. **NOTE:** Turn adjustment nut clockwise to raise mower deck or counterclockwise to lower mower deck.
- Re-check measurement as outlined above. If more adjustment is necessary, turn adjustment nut until height of mower deck is 1-3/4 inches.
- Tighten jam nut up against adjustment nut.
- Check and adjust level of mower deck as outlined in paragraph TO LEVEL MOWER DECK.

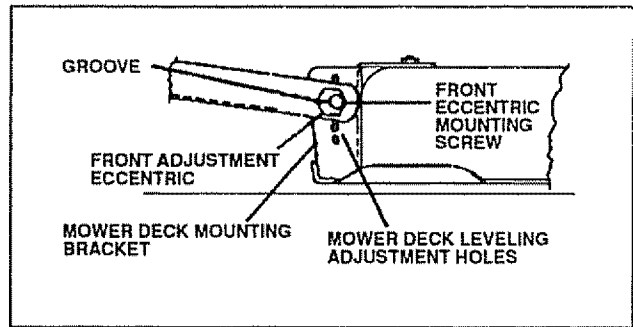


FIG. 26B

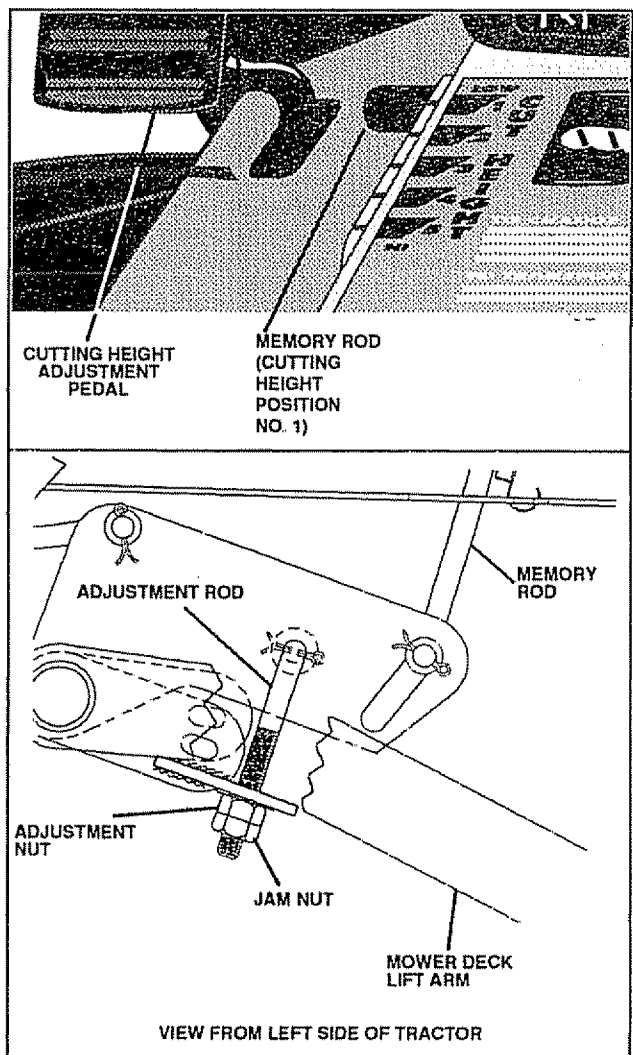


FIG. 27

SERVICE AND ADJUSTMENTS

TO ADJUST BLADE DRIVE BELT

(See Fig. 28)

When mower blade drive belt slips and blades will not turn at full speed when mowing, the blade drive belt should be tightened.

- Place attachment clutch lever in **DISENGAGED** position.
- Loosen idler pulley hex nut
- Slide idler pulley toward rear of mower deck to tighten belt. **NOTE:** Only a small amount of movement should be required
- Re-tighten hex nut on idler pulley
- To check adjustment:
 - a. Start engine and place throttle control lever in position **FAST**
 - b. Place attachment clutch lever in **ENGAGED** position and allow sufficient time for blades to run to full speed, then place attachment clutch lever in **DISENGAGED** position. Blades should stop within a few seconds and remain stopped. If blades do not stop or tend to creep, adjustment is too tight.
- To loosen blade drive belt, loosen idler pulley and move toward front of mower deck.

BLADE BRAKE ADJUSTMENT

(See Fig. 28)

Blade brakes should stop mower blades when attachment clutch lever is in **DISENGAGED** position. Blade brake pads should not come in contact with quill assemblies when attachment clutch lever is in **ENGAGED** position.

- Place cutting height adjustment in lowest cut position (No. 1).

TO CHECK RIGHT HAND BRAKE -

- Move attachment clutch lever backward to **DISENGAGED** position.
- Begin to move attachment clutch lever forward toward **ENGAGED** position and check distance lever moves before brake pad, on right hand quill assembly, begins to move.
- Attachment clutch lever should move at least 3/4 inch, but not more than 1 inch, before brake pad begins to move.
- If the distance is not between 3/4 and 1 inch, (see TO ADJUST RIGHT HAND BRAKE below).

TO ADJUST RIGHT HAND BRAKE -

- Note which one of five holes on front of idler arm extension is used for attaching mower clutch cable spring (see Fig. 28, inset B).
- If distance is more than 1 inch, move mower clutch cable spring to a hole toward bolts holding idler arm extension.
- If distance is less than 3/4 inch, move mower clutch cable spring to a hole toward free end of idler arm extension.
- Re-check right hand brake and adjust if required.

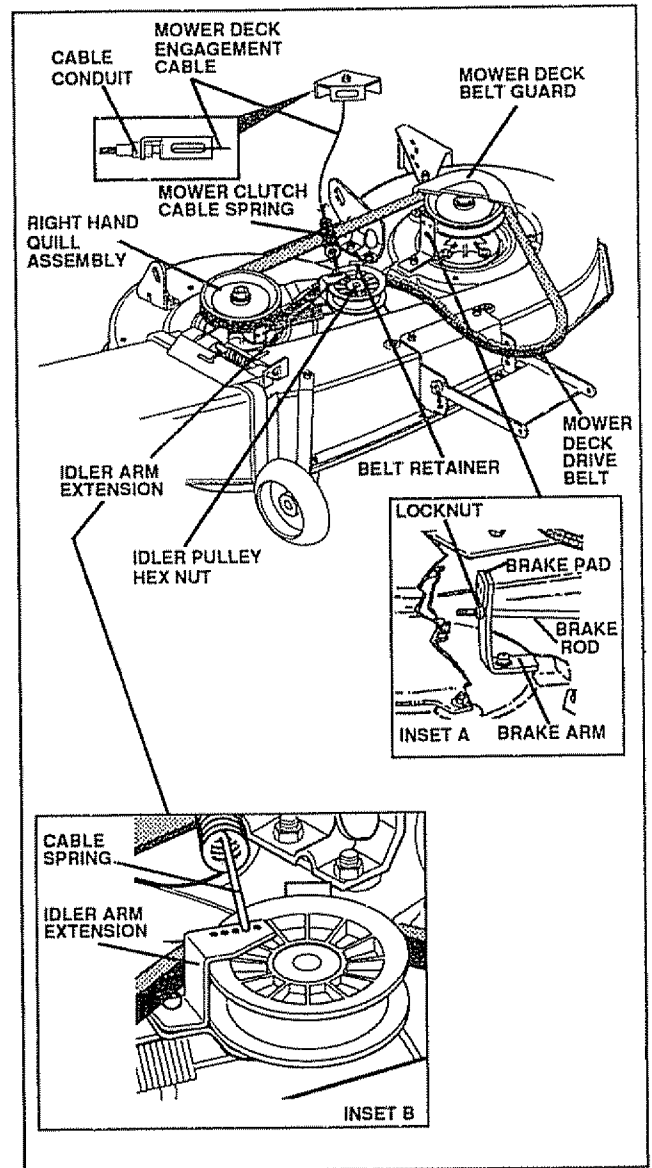


Fig. 28

TO CHECK LEFT HAND BRAKE -

- Place attachment clutch lever in **DISENGAGED** position.
- Locknut, on end of brake rod, should be approximately 1/8 inch from brake pad mounting bracket with left hand brake pad against pulley of left hand quill assembly (See Fig. 28, inset A).

TO ADJUST LEFT HAND BRAKE -

- Adjust locknut if necessary.

SERVICE AND ADJUSTMENTS

TO REPLACE MOWER BLADE DRIVE BELT (See Fig. 29)

- Remove mower deck (see TO REMOVE MOWER DECK in this section).
- Remove mower deck belt guard
- Note position of belt retainer on idler pulley so it can be repositioned properly after belt installation. Loosen idler pulley.
- Remove old belt and replace with a new original equipment belt.
- Reinstall belt guard.
- Reposition belt retainer and re-tighten idler pulley.
- Reinstall mower deck assembly.
- Adjust belt (see TO ADJUST TRACTOR DRIVE BELT below).

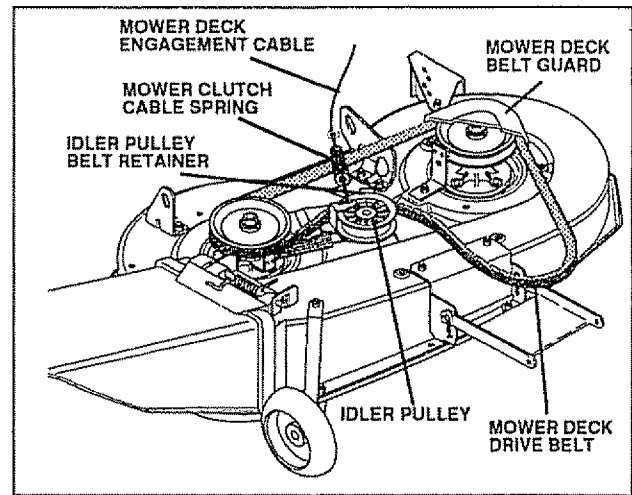


Fig. 29

TO ADJUST TRACTOR DRIVE BELT (See Figs. 30A and 30B)

The drive belt is kept tight by a spring attached to the brake-clutch pedal assembly. When the drive belt is properly adjusted, the brake-clutch pedal should appear as shown in fully released position.

- The brake-clutch pedal should appear as shown in Fig. 30A when in the fully released position. If not, then the following adjustment is necessary.
- Depress the brake-clutch pedal enough to latch the parking brake in the 3rd notch
- Loosen clutching idler pulley mounting screw.
- If brake-clutch pedal was too far forward, slide idler pulley in toward engine pulley. If pedal was too far rearward, slide idler pulley away from engine pulley.
- Re-tighten idler pulley mounting screw. **NOTE:** Belt retainer should point toward position where running board meets main frame.
- Release brake-clutch pedal and re-check pedal for proper position and readjust if necessary.
- Check tractor brake adjustment (see TO ADJUST TRACTOR BRAKE in this section).

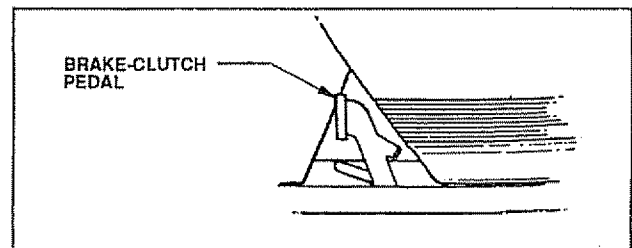


Fig. 30A

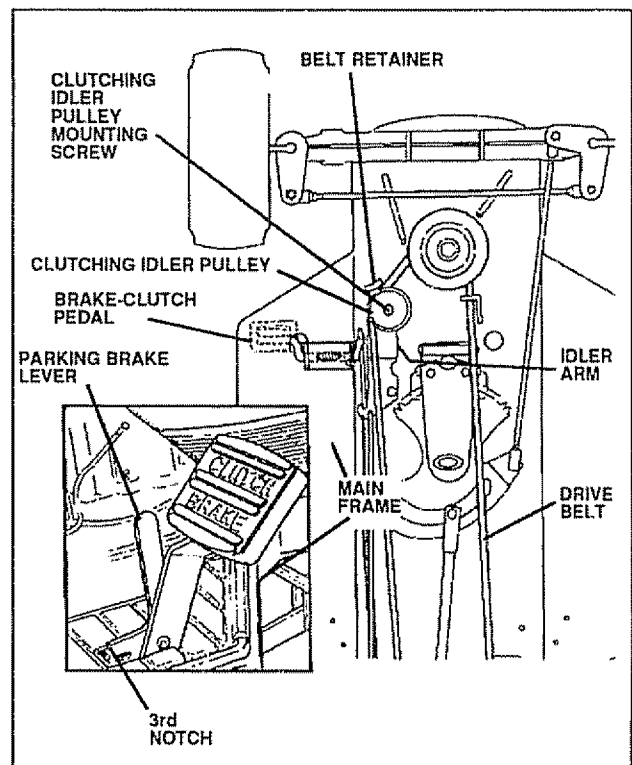


Fig. 30B

SERVICE AND ADJUSTMENTS

TO REPLACE TRACTOR DRIVE BELT (See Figs. 31 and 32)

Your tractor uses v-belts made of special compounds. If any belt becomes worn or breaks, replace with original equipment belt (see REPAIR PARTS section of this manual) NEVER USE A SUBSTITUTE

- Remove mower deck (see TO REMOVE MOWER DECK in this section).
- Fully depress brake-clutch pedal and set parking brake.
- Loosen clutching idler pulley mounting screw.
- Pull belt retainer away from pulley and remove belt from clutching idler pulley.
- Remove belt from engine pulley.
- Remove belt from transaxle pulley.
- Replace belt by reversing above instructions. Be sure belt is installed to inside of upper engine pulley belt guide.
- Before repositioning and tightening clutching idler pulley and belt retainer, adjust tractor drive belt (see TO ADJUST TRACTOR DRIVE BELT in this section)
- Check tractor brake adjustment (see TO ADJUST TRACTOR BRAKE in this section)

TO ADJUST SEAT (See Fig. 33)

The seat can be adjusted forward or rearward to desired operator's position.

- Raise rear of seat to horizontal position
- Loosen (do not remove) four hex head screws in seat plate
- Pull up on seat to move it toward rear of tractor, or push down on seat to move it toward front of tractor.
- Tighten hex head screws in seat plate.

If more adjustment is required:

- Remove seat and seat plate.
- Install seat and seat plate in either forward or backward holes of seat support bracket.

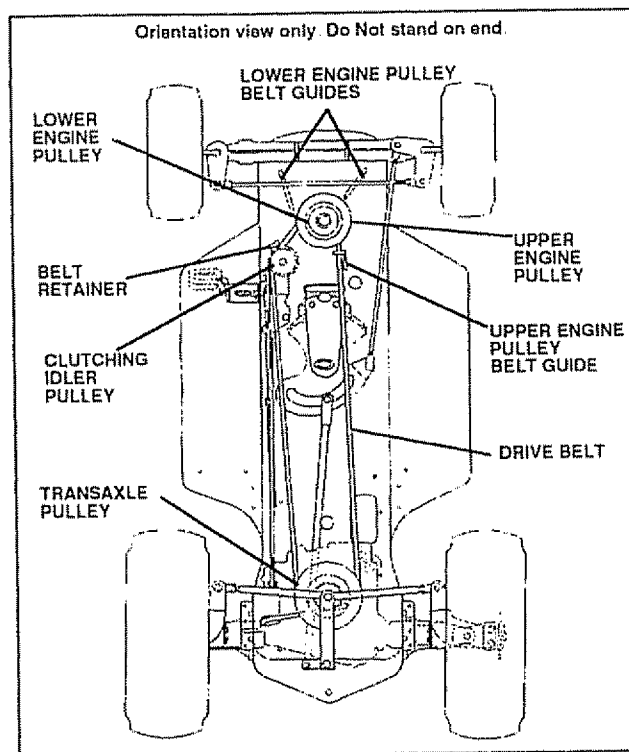


Fig. 31

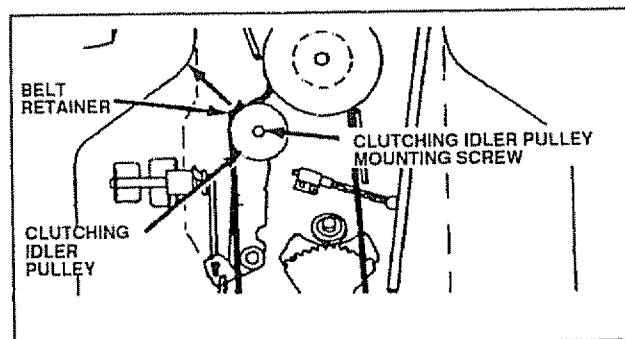


Fig. 32

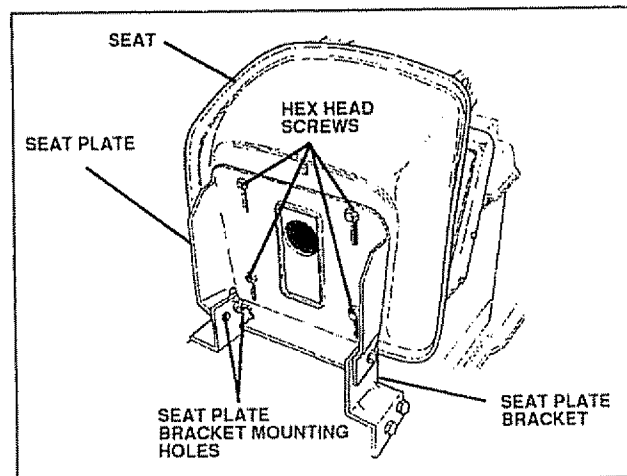


Fig. 33

SERVICE AND ADJUSTMENTS

TO ADJUST TRACTOR BRAKE (See Figs. 34A & 34B)

Your tractor is equipped with an adjustable disc brake mounted on the transaxle.

TO CHECK BRAKE OPERATION -

- Stop tractor on a hard flat surface and turn off engine.
- Place shift control lever in **NEUTRAL** position.
- Depress brake-clutch pedal enough to latch parking brake in 2nd notch.
- Try to push tractor. If you are unable to push tractor, brake is too tight and should be loosened (see **TO ADJUST TIGHT BRAKE** below).
- Depress brake-clutch pedal enough to latch parking brake in 4th notch.
- Try to push tractor. If you are able to push tractor, brake is too loose and should be tightened (see **TO ADJUST LOOSE BRAKE** below).

TO ADJUST LOOSE BRAKE -

- Place shift control lever in **NEUTRAL** position and depress brake-clutch pedal enough to latch parking brake in 4th notch.
- Turn brake adjusting nut clockwise until you cannot push tractor.
- Re-check tractor brake adjustment as outlined above.

TO ADJUST TIGHT BRAKE -

- Place shift control lever in **NEUTRAL** position and depress brake-clutch pedal enough to latch parking brake in 2nd notch.
- Turn brake adjusting nut counter-clockwise until you can push tractor.
- Re-check tractor brake adjustment as outlined above.

During tractor operation, check for stopping distance. If tractor requires more than six (6) feet for stopping distance at high speed in highest gear, the brake must be adjusted (see **TO ADJUST TRACTOR BRAKE** as described above).

TO ADJUST STEERING GEAR (See Fig. 35)

If excessive play develops in steering, adjust pinion and sector gears as follows:

- Position front wheels straight forward.
- Arrows should align in pinion and sector gear.
- Slightly loosen mounting screws in lower steering shaft bearing.
- Move lower steering bearing toward back of tractor, as needed.
- Hold bearing in place, tighten mounting screws securely. Use a 10-inch wrench or a torque wrench. If torque wrench is used, torque mounting screws to between 30 and 35 foot pounds.

TO ADJUST BRAKE ROD (See Fig. 36A)

- Check tractor drive belt for proper adjustment (see **TO ADJUST TRACTOR DRIVE BELT** in this section).

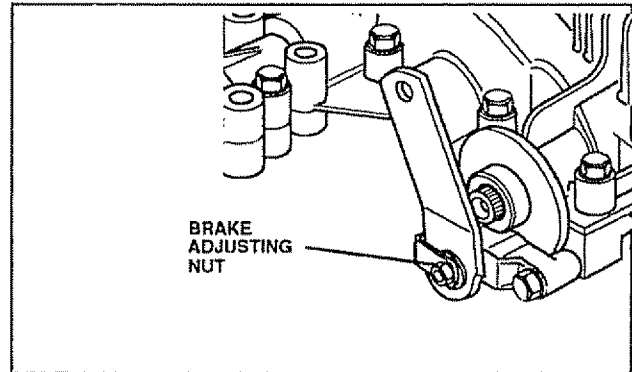


Fig. 34A

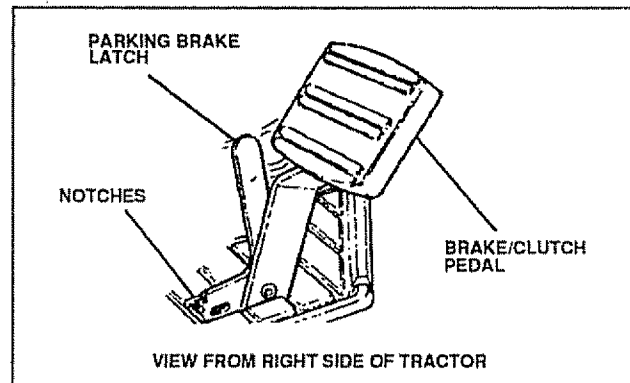


Fig. 34B

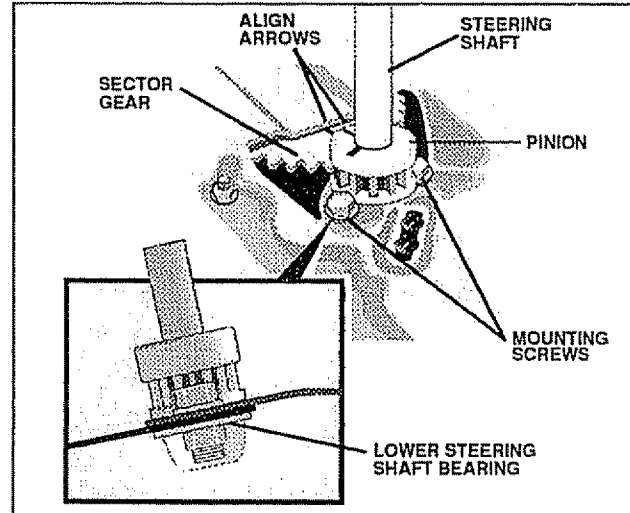


Fig. 35

- The brake-clutch pedal should appear as in Fig. 30A on page 27, when in the fully released position. If not, then the following adjustment is necessary.
- Loosen the two jam nuts that attach the brake rod to the brake rod bracket. Adjust until the brake lever bolt is centered in the brake rod bracket.
- Check **TO START ENGINE** in the **OPERATION** section and **TO ADJUST TRACTOR BRAKE** in the **SERVICE AND ADJUSTMENTS** section of this manual for proper operation.

SERVICE AND ADJUSTMENTS

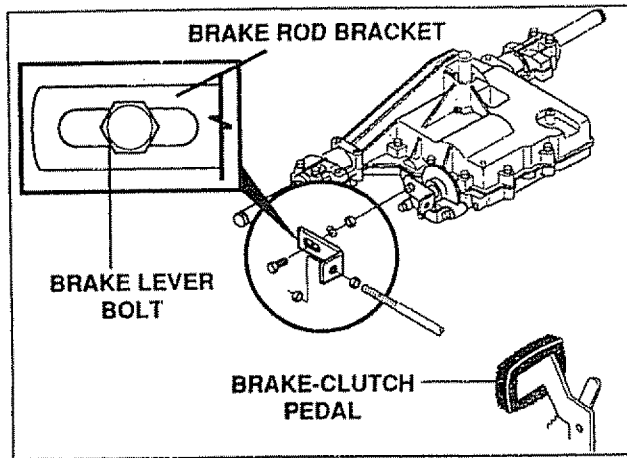


Fig. 36A

TO ADJUST SHIFT CONTROL LEVER (See Fig. 36B)

Adjustment is only required if neutral is not obtained when shift control lever is in neutral slot

- Place shift control lever in **NEUTRAL** position.
- Try to push tractor. You should be able to push when shift control lever is in neutral position. If you cannot push tractor, adjust as follows
- Locate neutral position with shift control lever.
- Loosen screw 'A' on shift bracket on top of transaxle.
- Place shift control lever into the neutral slot
- Tighten screw 'A'.
- Re-check adjustment as described above

NOTE: You should not be able to push tractor when shift control lever is in reverse or a forward range position.

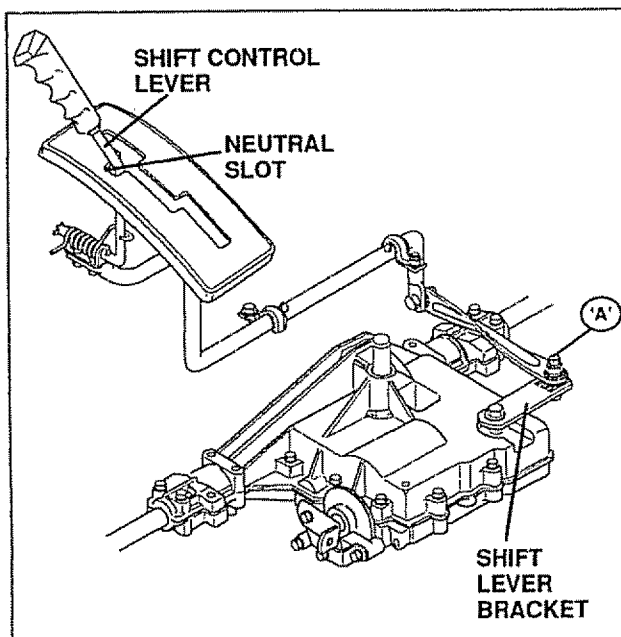


Fig. 36B

TO REMOVE WHEEL FOR REPAIRS (See Figs. 37A and 37B)

- Block up axle securely.
- On front wheels, remove hub cap, retaining ring and washer(s) to remove wheel.
- On rear wheels, remove hub cap and bolts to remove wheel.
- Repair tire and re-assemble
- On rear wheels, align holes and reinstall bolts. Torque bolts to 50 ft lbs
- On front wheels, replace washer(s), and retaining ring.
- Replace hub caps.

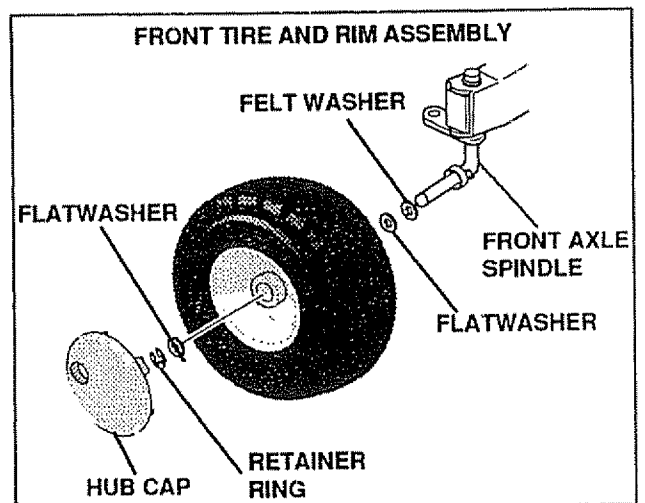


Fig. 37A

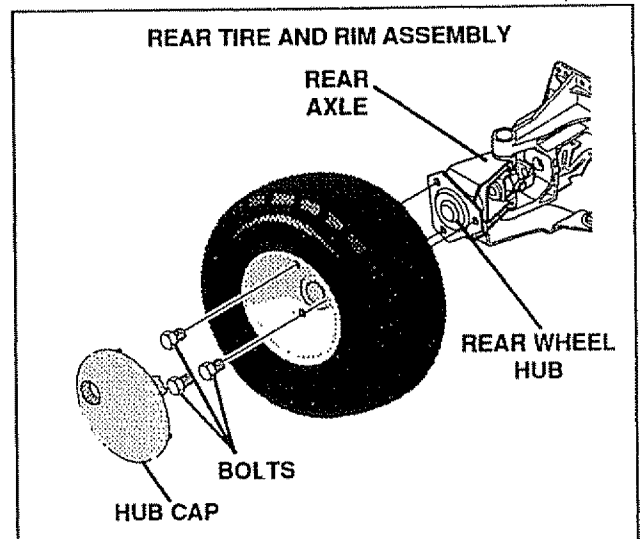


Fig. 37B

SERVICE AND ADJUSTMENTS

TO START ENGINE WITH A WEAK BATTERY (See Fig. 38)



CAUTION: Lead-acid batteries generate explosive gases. Keep sparks, flame and smoking materials away from batteries. Always wear eye protection when around batteries.

If your battery is too weak to start the engine, it should be recharged. If "jumper cables" are used for emergency starting follow this procedure.

IMPORTANT: YOUR TRACTOR IS EQUIPPED WITH A 12 VOLT NEGATIVE GROUND SYSTEM. OTHER VEHICLE MUST ALSO BE A 12 VOLT NEGATIVE GROUND SYSTEM. DO NOT USE YOUR TRACTOR BATTERY TO START OTHER VEHICLES

TO ATTACH JUMPER CABLES -

- Push battery boot away from POSITIVE (+) terminal.
- Connect RED (+) cable to POSITIVE (+) terminal on battery, taking care not to short against chassis.
- Connect BLACK (-) cable to NEGATIVE (-) terminal on battery.

TO REMOVE CABLES, REVERSE ORDER -

- BLACK (-) cable from battery.
- RED (+) cable from battery.

TO REPLACE FUSE (See Fig. 39)

- Raise hood.
- Locate fuse holder under dash.
- Remove fuse and replace with a 15 amp automotive-type plug in fuse (see REPAIR PARTS section for more information).

TO REPLACE HEADLIGHT BULB (See Fig. 40)

- Raise hood. **NOTE:** Do not remove plastic headlight lens when replacing headlight bulb.
- Turn headlight harness (holding bulb) 1/4 turn counter-clockwise and remove.
- Pull bulb out (do not unscrew) Push in new bulb.
- Replace headlight harness and turn 1/4 turn clockwise to lock in place.
- Close hood.

INTERLOCKS AND RELAYS

Loose or damaged wiring may cause your tractor to run poorly, stop running, or prevent it from starting.

- Check wiring. See electrical wiring diagram in the REPAIR PARTS section of this manual.

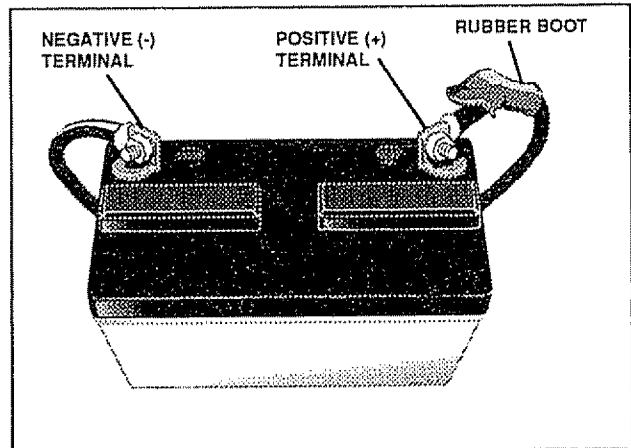


Fig. 38

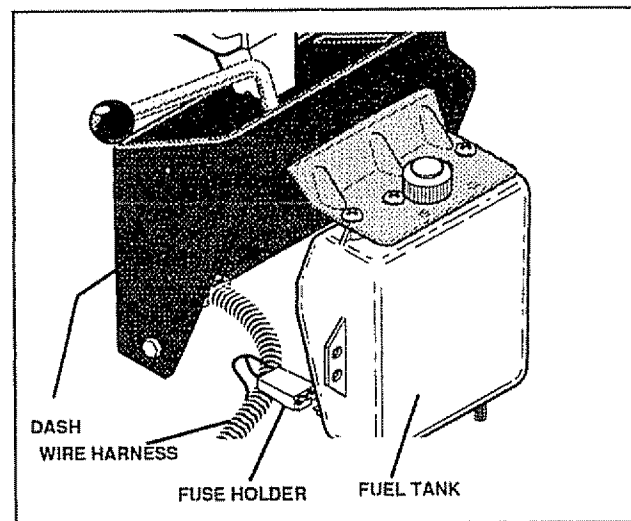


FIG. 39

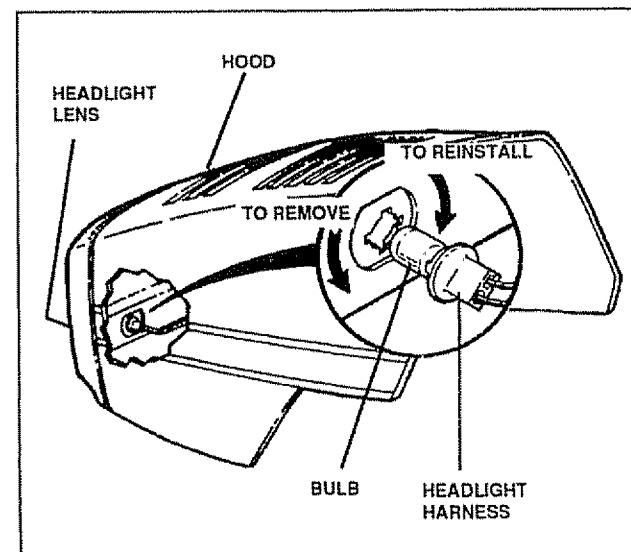


Fig. 40

SERVICE AND ADJUSTMENTS

TO REMOVE HOOD (See Figs. 41 and 42)

- Raise hood.
- Disconnect headlight wire harness connector
- Remove screw used to attach hood lanyard to front of engine. Hold hood securely to prevent hood from falling
- Remove clevis pins, flatwashers and hairpins used to attach hood to mounting brackets
- To reinstall, reverse above procedure

ENGINE

TO ADJUST CHOKE CONTROL (See Fig. 43)

The choke control has been preset at factory and adjustment should not be necessary. Check adjustment as described below before loosening clamp screw. If adjustment is necessary, proceed as follows

- Move choke control to "CHOKE" position. Carburetor choke should be closed. If not choke needs to be adjusted.
- Place control lever in "CHOKE" position. Loosen casing clamp screw.
- Move casing and wire until choke is completely closed
- Tighten casing clamp screw

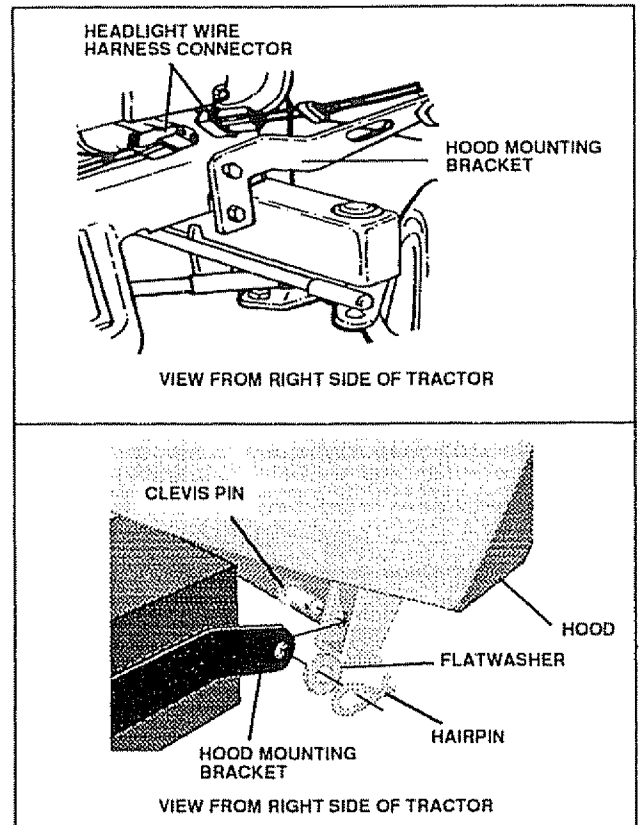


Fig. 41

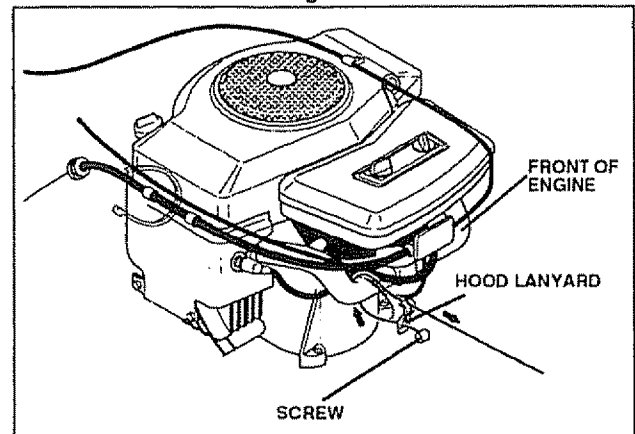


Fig. 42

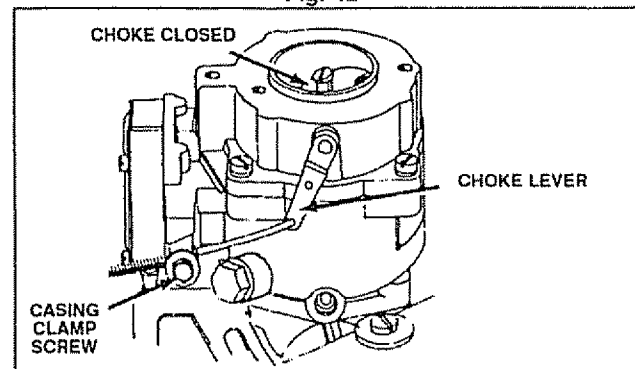


Fig. 43

SERVICE AND ADJUSTMENTS

THROTTLE CONTROL ADJUSTMENT (See Fig. 44)

The throttle control has been preset at factory and adjustment should not be necessary. Check adjustment as described below before loosening clamp screw. If adjustment is necessary, proceed as follows.

- Engine speed is controlled by movement of the throttle control lever.
- Move control "B" to 'FAST' position.
- Swivel "C" should be against side of quarter circle.

TO ADJUST-

- Loosen casing clamp screw "A".
- Move casing and wire in direction shown until swivel is against side of quarter circle.
- Re-tighten casing clamp screw "A".

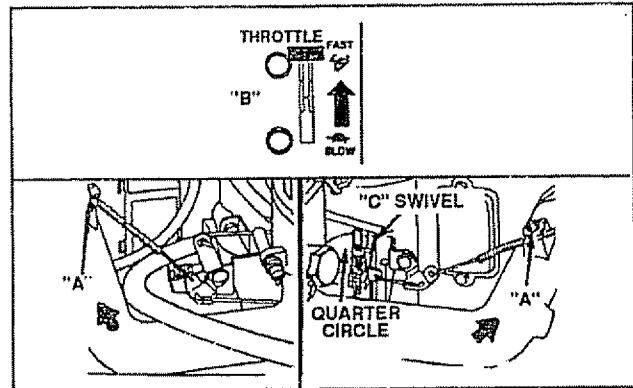


Fig. 44

CARBURETOR ADJUSTMENTS (See Fig. 45)

Minor carburetor adjustment may be required to compensate for differences in fuel, temperature, altitude or load.

NOTE: The air cleaner must be assembled to carburetor when running engine.

INITIAL ADJUSTMENT

- Gently turn the idle mixture screw clockwise until it just closes. Turning screw in too far may damage it.
- Next turn idle mixture screw 1-1/2 turns counterclockwise. This initial adjustment will permit the engine to be started and warmed up (approximately 5 minutes) prior to final adjustment.

FINAL ADJUSTMENT

- Start engine and place throttle control in **IDLE** or **SLOW** position.
- Hold throttle lever against idle stop, and adjust idle speed screw to obtain 1200 to 1400 RPM.
- While still holding throttle lever, turn idle mixture screw slowly clockwise (lean mixture) until engine just starts to slow.
- Still holding lever, turn screw slowly counterclockwise (rich mixture) until engine speed just starts to slow.
- Turn screw to midpoint between rich and lean.
- Adjust idle speed screw to obtain 900 to 1200 RPM.
- Release lever.
- If the engine does not accelerate properly, re-adjust carburetor to a slightly richer mixture.

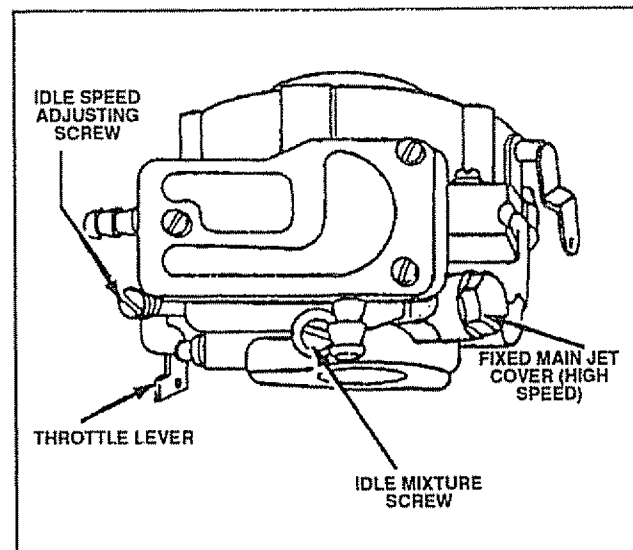


Fig. 45

TROUBLESHOOTING POINTS

PROBLEM	CAUSE	CORRECTION
Will not start	<ol style="list-style-type: none"> 1. Out of fuel 2. Engine not "CHOKED" properly. 3. Engine flooded. 4. Bad spark plug. 5. Dirty air filter. 6. Dirty fuel filter 7. Water in fuel. 8. Loose or damaged wiring 9. Carburetor out of adjustment 10. Engine valves out of adjustment 	<ol style="list-style-type: none"> 1. Fill fuel tank 2. See TO START ENGINE in Operation section. 3. Wait several minutes before attempting to start 4. Replace spark plug 5. Clean/replace air filter 6. Replace fuel filter 7. Drain fuel tank and carburetor, refill tank with fresh gasoline and replace fuel filter 8. Check all wiring. 9. Contact Sears Service Department. 10. Contact Sears Service Department.
Hard to start	<ol style="list-style-type: none"> 1. Dirty air filter. 2. Bad spark plug 3. Weak or dead battery 4. Dirty fuel filter. 5. Stale or dirty fuel 6. Loose or damaged wiring 7. Carburetor out of adjustment 8. Engine valves out of adjustment 	<ol style="list-style-type: none"> 1. Clean/replace air filter. 2. Replace spark plug 3. Recharge or replace battery. 4. Replace fuel filter. 5. Drain fuel tank and refill tank with fresh gasoline 6. Check all wiring. 9. Contact Sears Service Department. 10. Contact Sears Service Department
Engine will not turn over	<ol style="list-style-type: none"> 1. Brake-clutch pedal not depressed 2. Mower clutch lever is engaged 3. Weak or dead battery. 4. Blown fuse. 5. Corroded battery terminals 6. Loose or damaged wiring 7. Faulty ignition switch 8. Faulty solenoid. 9. Faulty operator presence switch(es) 	<ol style="list-style-type: none"> 1. Depress brake-clutch pedal. 2. Disengage mower clutch lever. 3. Recharge or replace battery. 4. Replace fuse 5. Clean battery terminals. 6. Check all wiring 7. Check/replace ignition switch 8. Check/replace solenoid or starter. 9. Contact Sears Service Department.
Engine clicks but will not start	<ol style="list-style-type: none"> 1. Weak or dead battery. 2. Corroded battery terminals 3. Loose or damaged wiring 4. Faulty solenoid or starter. 	<ol style="list-style-type: none"> 1. Recharge or replace battery. 2. Clean battery terminals. 3. Check all wiring. 4. Check/replace solenoid or starter.
Loss of power	<ol style="list-style-type: none"> 1. Cutting too much grass/too fast. 2. Throttle in "CHOKE" position. 3. Build-up of grass, leaves and trash under mower 4. Dirty air filter. 5. Low oil level/dirty oil 6. Faulty spark plug. 7. Dirty fuel filter. 8. Stale or dirty fuel 9. Water in fuel 10. Spark plug wire loose 11. Dirty engine air screen/fins 12. Dirty clogged muffler. 13. Loose or damaged wiring 14. Carburetor out of adjustment 15. Engine valves out of adjustment 	<ol style="list-style-type: none"> 1. Set in "Higher Cut" position/reduce speed 2. Adjust throttle control 3. Clean underside of mower housing. 4. Clean/replace air filter. 5. Check oil level/change oil 6. Clean and re-gap or change spark plug 7. Replace fuel filter. 8. Drain fuel tank and refill tank with fresh gasoline. 9. Drain fuel tank and carburetor, refill tank with fresh gasoline and replace fuel filter. 10. Connect and tighten spark plug 11. Clean engine air screen/fins. 12. Clean/replace muffler. 13. Check all wiring. 14. Contact Sears Service Department 15. Contact Sears Service Department.
Excessive vibration	<ol style="list-style-type: none"> 1. Worn, bent or loose blade. 2. Clutching idler assembly worn or damaged 3. Loose/damaged parts 	<ol style="list-style-type: none"> 1. Replace blade. Tighten blade bolt 2. Replace clutching idler assembly. 3. Tighten loose part(s). Replace damaged parts.
Unit will not propel itself when clutch is engaged	<ol style="list-style-type: none"> 1. Sheared or missing engine, transmission or transaxle pulley(s) key. 2. Transaxle not operable. 3. Relief valve rod incorrectly positioned (Units with hydrostatic drive transmissions only) 	<ol style="list-style-type: none"> 1. Replace key 2. Contact Sears Service Department. 3. Stop unit and place relief valve rod in NORMAL position

TROUBLESHOOTING POINTS

PROBLEM	CAUSE	CORRECTION
Unit will not shift or shifts hard	<ol style="list-style-type: none"> 1 Shifting procedure incorrect. 2 Tractor drive belt and/or brake out of adjustment 3 Transaxle not operating properly. 	<ol style="list-style-type: none"> 1. Check shifting procedure. Unit MUST come to a complete stop before changing directions. 2. Check adjustment of tractor drive belt and/or brake. Adjust if necessary. 3. Contact Sears Service Department.
Engine continues to run when operator leaves seat with mower clutch engaged	<ol style="list-style-type: none"> 1. Faulty operator-safety presence control system. 	<ol style="list-style-type: none"> 1. Check wiring, switches and connections. If not corrected, contact Sears Service Department.
Poor cut-uneven	<ol style="list-style-type: none"> 1. Worn, bent or loose blade 2. Mower deck not level. 3. Build-up of grass, leaves and trash under mower 	<ol style="list-style-type: none"> 1. Replace blade. Tighten blade bolt. 2. Replace blade mandrel. 3. Clean underside of mower housing.
Mower blades will not rotate	<ol style="list-style-type: none"> 1. Obstruction in clutch mechanism. 2. Mower drive belt out of adjustment. 3. Worn/damaged mower drive belt. 4. Frozen idler pulley. 	<ol style="list-style-type: none"> 1. Remove obstruction. 2. Adjust mower drive belt. 3. Replace mower drive belt. 4. Replace idler pulley.
Poor or no grass discharge	<ol style="list-style-type: none"> 1. Build-up of grass, leaves and trash under mower. 2. Wet grass 3. Engine speed too slow 4. Travel speed too fast. 5. Mowing to much grass 6. Mower deck not level. 7. Low/uneven tire air pressure. 8. Worn, bent or loose blade 9. Mower drive belt worn or out of adjustment 10. Blades improperly installed. 11. Improper blades used. 	<ol style="list-style-type: none"> 1. Clean underside of mower housing 2. Allow grass to dry before mowing. 3. Place throttle control in "FAST" position. 4. Shift to slower speed. 5. Set cutting height to higher setting. Then re-cut at normal setting. 6. Level mower deck 7. Check tires for proper air pressure 8. Replace/sharpen blade. Tighten blade bolt. 9. Replace/adjust mower drive belt. 10. Reinstall blades sharp edge down. 11. Replace with blades listed in this manual
Mower leaves unmowed strip between blades	<ol style="list-style-type: none"> 1. Mowing wet/high moisture content grass. 2. Mowing too much grass. 3. Mowing too fast. 4. Blades are worn or require sharpening. 5. Blade drive belt out of adjustment. 6. Worn or damaged quill assembly(s). 7. Damaged mower deck housing 	<ol style="list-style-type: none"> 1. Allow grass to dry before mowing. 2. Set cutting height to higher setting. 3. Place transmission control lever in lower setting 4. Sharpen or replace blades if necessary. 5. Check tension of blade drive belt. Adjust if necessary. 6. Replace quill assembly(s). 7. Repair or replace mower deck housing
Headlight(s) not working (if so equipped)	<ol style="list-style-type: none"> 1. Switch is "OFF". 2. Bulb(s) burned out. 3. Faulty light switch 4. Loose or damaged wiring. 5. Blown fuse. 	<ol style="list-style-type: none"> 1. Turn switch "ON". 2. Replace bulb(s). 3. Check/replace light switch. 4. Check wiring and connections. 5. Replace fuse.
Battery will not charge	<ol style="list-style-type: none"> 1. Poor cable connections. 2. Bad battery cells. 3. Faulty regulator (if so equipped). 	<ol style="list-style-type: none"> 1. Check/clean all connections. 2. Replace battery 3. Replace regulator.
Steering erratic	<ol style="list-style-type: none"> 1. Steering sector gear and pinion loose 2. Worn ball joints. 	<ol style="list-style-type: none"> 1. Check steering sector gear. Adjust if necessary 2. Check ball joints. Replace if necessary.
Steering difficulty	<ol style="list-style-type: none"> 1. Steering sector gear and pinion tight 2. Steering pivot points dry 	<ol style="list-style-type: none"> 1. Check steering sector gear. Adjust if necessary. 2. See Lubrication Chart

STORAGE

Immediately prepare your unit for storage at the end of the season or if the unit will not be used for 30 days or more.



DANGER



Never store the engine with fuel indoors or in a poorly ventilated enclosure, where fuel fumes may reach an open flame, spark or pilot light as on a furnace, water heater, clothes dryer, etc.

Handle the gasoline carefully. It is highly flammable and careless use could result in serious fire damage to your person and/or property.

Drain the fuel into an approved container outdoors away from an open flame.

TRACTOR

Remove mower deck from tractor for winter storage. When mower deck is to be stored for a period of time, clean it thoroughly, remove all dirt, grease, leaves, etc. Give blades and underside of mower deck housing a good coat of grease or rust preventative. Store in a clean, dry area.

- Clean entire tractor (See CLEANING in CUSTOMER RESPONSIBILITIES section of this manual).
- Inspect and replace belts, if necessary (See belt replacement instructions in the SERVICE AND ADJUSTMENTS section of this manual).
- Lubricate (see CUSTOMER RESPONSIBILITIES section of this manual).
- Be sure all nuts, bolts and screws are securely fastened. Inspect moving parts for damage, breakage and wear. Replace if necessary.
- Touch up all rusted or chipped paint surface; sand lightly before painting.

BATTERY

- Fully charge battery for storage.
- After a period of time in storage, battery may require recharging.
- To help prevent corrosion and power leakage during long periods of storage, battery cables should be disconnected and battery cleaned thoroughly (see TO CLEAN BATTERY AND TERMINALS in CUSTOMER RESPONSIBILITIES section of this manual).
- After cleaning, leave cables disconnected and place cables where they cannot come in contact with battery terminals.

ENGINE FUEL SYSTEM

IMPORTANT: IT IS IMPORTANT TO PREVENT GUM DEPOSITS FROM FORMING IN ESSENTIAL FUEL SYSTEM PARTS SUCH AS THE CARBURETOR, FUEL FILTER, FUEL HOSE, OR TANK DURING STORAGE. ALSO, EXPERIENCE INDICATES THAT ALCOHOL-BLENDED FUELS (CALLED GASOHOL OR USING ETHANOL OR METHANOL) CAN ATTRACT MOISTURE WHICH LEADS TO SEPARATION AND FORMATION OF ACIDS DURING STORAGE. ACIDIC GAS CAN DAMAGE THE FUEL SYSTEM OF AN ENGINE WHILE IN STORAGE.

- Drain fuel tank.
- Start engine and let it run until the fuel lines and carburetor are empty.
- Never use engine or carburetor cleaner products in fuel tank or permanent damage may occur.
- Use fresh fuel next season.

NOTE: Fuel stabilizer (such as STA-BIL) is an acceptable alternative in minimizing formation of fuel gum deposits during storage. Add stabilizer to gasoline in fuel tank or storage container. Always follow mix ratio found in stabilizer container. Run engine as least 10 minutes after adding stabilizer to allow stabilizer to reach the carburetor. Do not drain gas tank and carburetor if using stabilizer.

ENGINE OIL

Drain oil (with engine warm) and replace with clean engine oil. (See ENGINE IN CUSTOMER RESPONSIBILITIES section of this manual).

CYLINDERS

- Remove spark plugs.
- Pour one ounce of oil through spark plug holes into cylinders.
- Turn ignition key to START position for a few seconds to distribute oil.
- Replace with new spark plugs.

OTHER

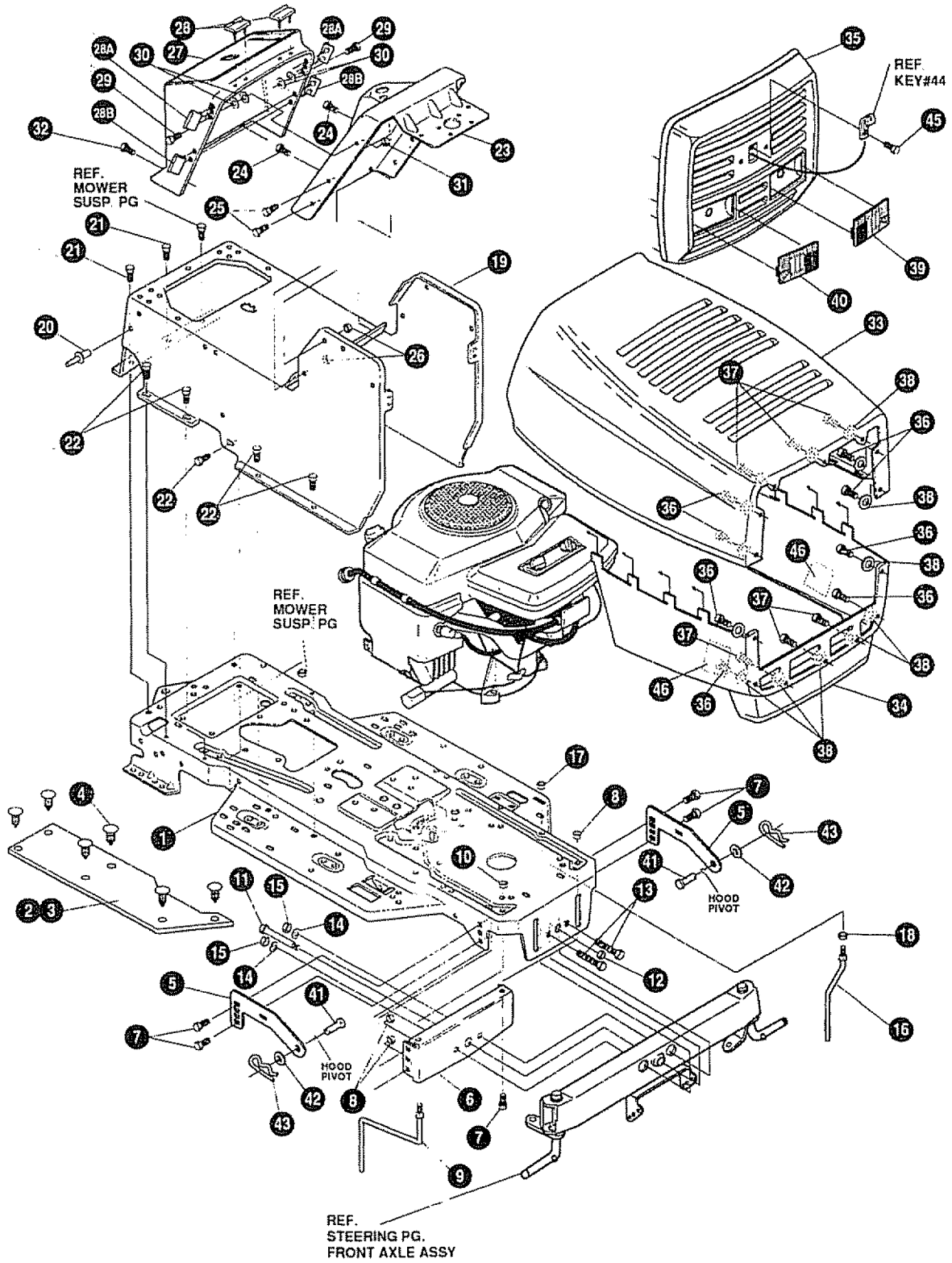
- Do not store gasoline from one season to another.
- Replace your gasoline can if your can starts to rust. Rust and/or dirt in your gasoline will cause problems.
- If possible, store your tractor indoors and cover it to give protection from dust and dirt.
- Cover tractor with a suitable protective cover that does not retain moisture. Do not use plastic. Plastic cannot breathe which allows condensation to form and will cause your tractor to rust.

IMPORTANT: NEVER COVER TRACTOR WHILE ENGINE AND EXHAUST AREAS ARE STILL WARM.

NOTES

CRAFTSMAN 43" LAWN TRACTOR MODEL 536.255870

CHASSIS & HOOD ASSEMBLY



NOTE: ALWAYS USE ORIGINAL EQUIPMENT PARTS. Use of service/replacement parts other than original equipment parts may void your warranty.

ALL UNNUMBERED ITEMS ARE INTERCHANGEABLE WITH OPPOSITE SIDE

328043A

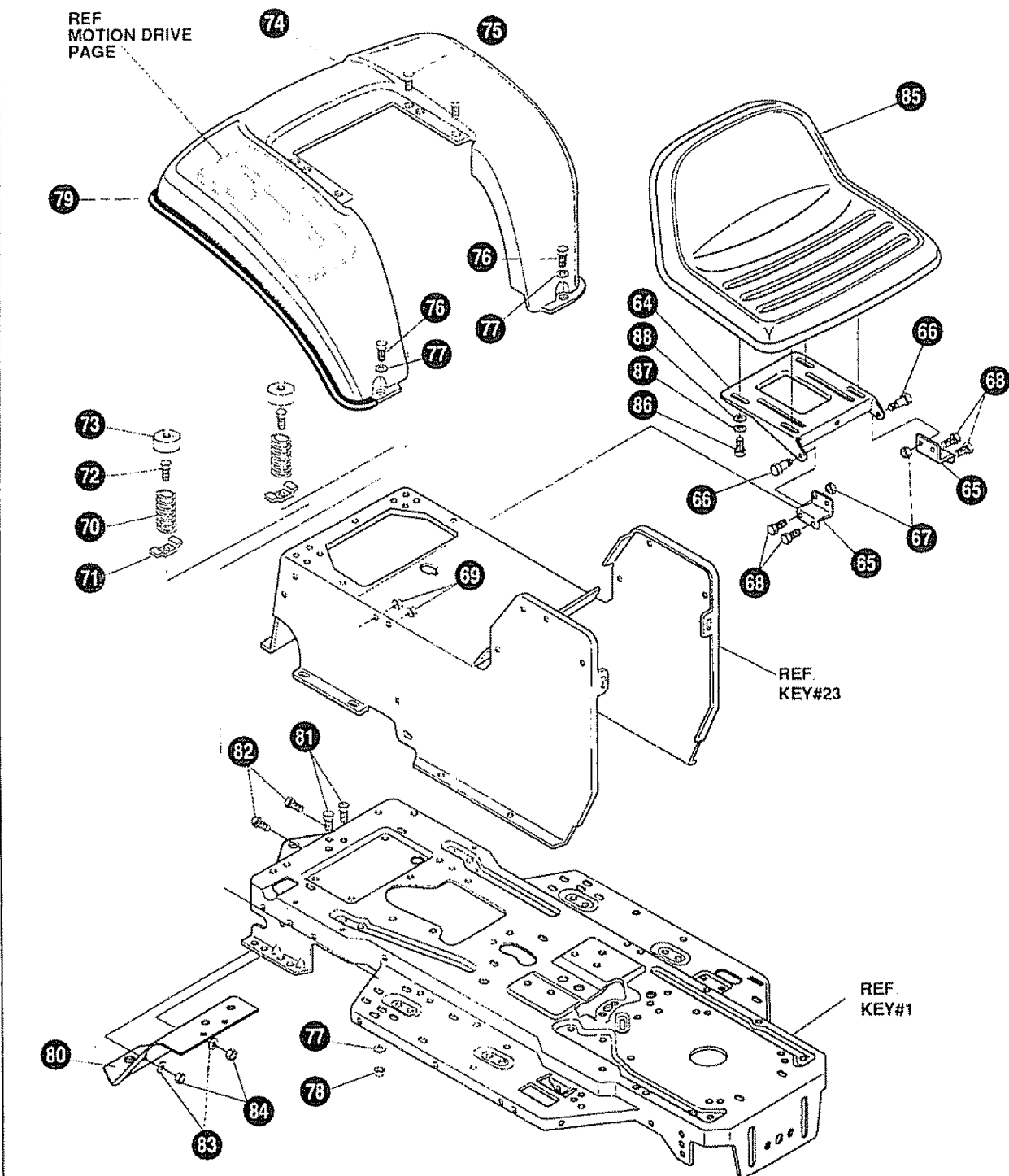
CRAFTSMAN 43" LAWN TRACTOR MODEL 536.255870

key#	part#	description	qty.
1	326580-829	FRAME,LH MAIN P920/F4360 SEARS	1
2	314799	FOOTPAD,LH PEDAL LIFT	1
3	310006	FOOTPAD,RH	1
4	309235	FASTENER, RATCHET	12
5	323068-853	BRACKET, GRILLE	2
6	313541-853	BRACKET, FRONT AXLE	1
7	56030	SCREW, 5/16-18X.75WDFLLK	5
8	55273	NUT, 5/16-18 HXWDFLLK	5
9	300440	GUIDE, BELT, RIDER	1
10	• 1498	NUT, 5/16-18 REGHEXCTRLK	1
11	308207	BOLT, 625X2 18 HHSH 1/2-13	1
12	309008	NUT, 1/2-13 HEXJAM CTRLK	1
13	• 122207	SCREW, 3/8-16X3.00 HHC	2
14	2483	WASHER, 39IDX1.25DX.07 BELLVIL	2
15	• 1499	NUT, 3/8-16 REGHXCTRLK	2
16	300635	GUIDE,BELT SHORT 15" WHEEL	1
17	• 124824	NUT, 5/16-18 HEXJAM	1
18	• 271190	NUT, 3/8-16 HEXKEPS	1
19	315120-829	CONSOLE, PEDAL LIFT	1
20	46763	RIVET, POP .187DIA X .450LG ST	3
21	35497	SCREW, 5/16-18X .50 WAHHTAP	2
22	995346	SCREW, 1/4-20X .50 WAHHTAP	9
23	324111-830	DASH, STEEL	1
24	995346	SCREW, 1/4-20X .50 WAHHTAP	2
25	995338	SCREW, 1/4-20X .63 HHWATAP	4
26	50352	NUT, 1/4-20 WDFLLK TOPLOCK	4
27	319718	DASH	1
28	321810	BUMPER TOP	2
28A	324491	BUMPER-HOOD/DASH SIDE TOP	4
28B	324492	BUMPER-HOOD/DASH SIDE BOTTOM	2
29	318139	SCREW, 1/4-20 PHPNHD	2
30	54569	WASHER, FLAT 281X .75X .090	4
31	• 1502	NUT, 1/4-20 REGHXCTRLK	2
32	318304	SCREW, 1/4-20X 50 PHPNTAP	2
33	328133	HOOD	1
34	328131	SKIRT, HOOD	1
35	328132	GRILLE	1
36	316043	SCR #10X1.0 UNSL-HWH-HILO ZINC	8
37	316881	SCR #10X.75 UNSL-HWH-HILO ZINC	6
38	1501	FLATWASHER #10	14
39	314967	LENS LH, SEARS	1
40	314968	LENS RH, SEARS	1
41	323044	PIN, CLEVIS	2
42	996425	FLATWASHER	2
43	8260	PIN, HAIR	14
44	328042	LANYARD,HOOD 18.00 LG LF	1
45	316042	SCR #10X.62 UNSL-HWH-HILO ZINC	1
46	301452	FOIL, HEAT REFLECTOR	2
	327865	OWNER'S MANUAL (NOT ILLUSTRATED)	1

• STANDARD HARDWARE ITEMS.

CRAFTSMAN 43" LAWN TRACTOR MODEL 536.255870

HOOD AND CHASSIS ASSEMBLY



NOTE: ALWAYS USE ORIGINAL EQUIPMENT PARTS. Use of service/replacement parts other than original equipment parts may void your warranty.

ALL UNNUMBERED ITEMS ARE INTERCHANGEABLE WITH OPPOSITE SIDE

328043A

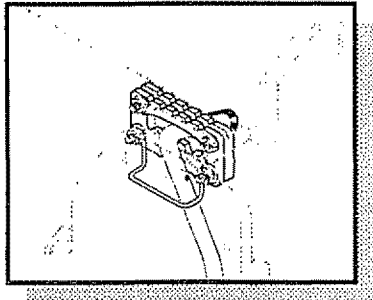
CRAFTSMAN 43" LAWN TRACTOR MODEL 536.255870

key#	part#	description	qty
64	58367-853	PLATE, SEAT	1
65	310660-853	BRACKET, F-5 SEAT SUPPORT	1
66	20507	BOLT, 437X 156 HSH 5/16-18	2
67	• 1498	NUT, 5/16-18 REGHEXCTRLK	2
68	48901	SCREW, 5/16-18X 63 HHC	4
69	• 1498	NUT, 5/16-18 REGHEXCTRLK	4
70	57153	SPRING,SEAT 2 63LG.1 49OD	2
71	1341	CLAMP,SPRING 1 17"ID	2
72	44811	SCREW, 1/4-20X .75 HXWATAP	2
73	56907	COVER,SEAT SPRING 1 51DX1 0LG	2
74	308654 -829	FENDER	1
75	995346	SCREW, 1/4-20X .50 WAHTAP	4
76	• 122017	SCREW, 5/16-18X1.00 HHC	2
77	446363	WASHER, FLAT .375X .88X 082	4
78	• 1498	NUT, 5/16-18 REGHEXCTRLK	2
79	55021	TRIM,STRIP,BLACK—SMALL.W/ ADH	75"
80	327061-829	HITCH, SEARS	1
81	48148	SCR, 3/8-16 X 1 000 HXWAHD TAP	2
82	180079	SCR, 5/16-18 X 63 HHC	2
83	120393	WASHER FLAT 344 X .69 X 065	2
84	1498	NUT, 5/16-18 REGHEXCTRLK	2
85	321863	SEAT, MV540 CRAFTSMAN	1
86	122007	SCREW, 5/16-18 X .75 HHC	4
87	120638	WASHER, HVSP TLK 328 X .60 X .09	4
88	120393	WASHER, FLAT 344 X 69 X 065	4

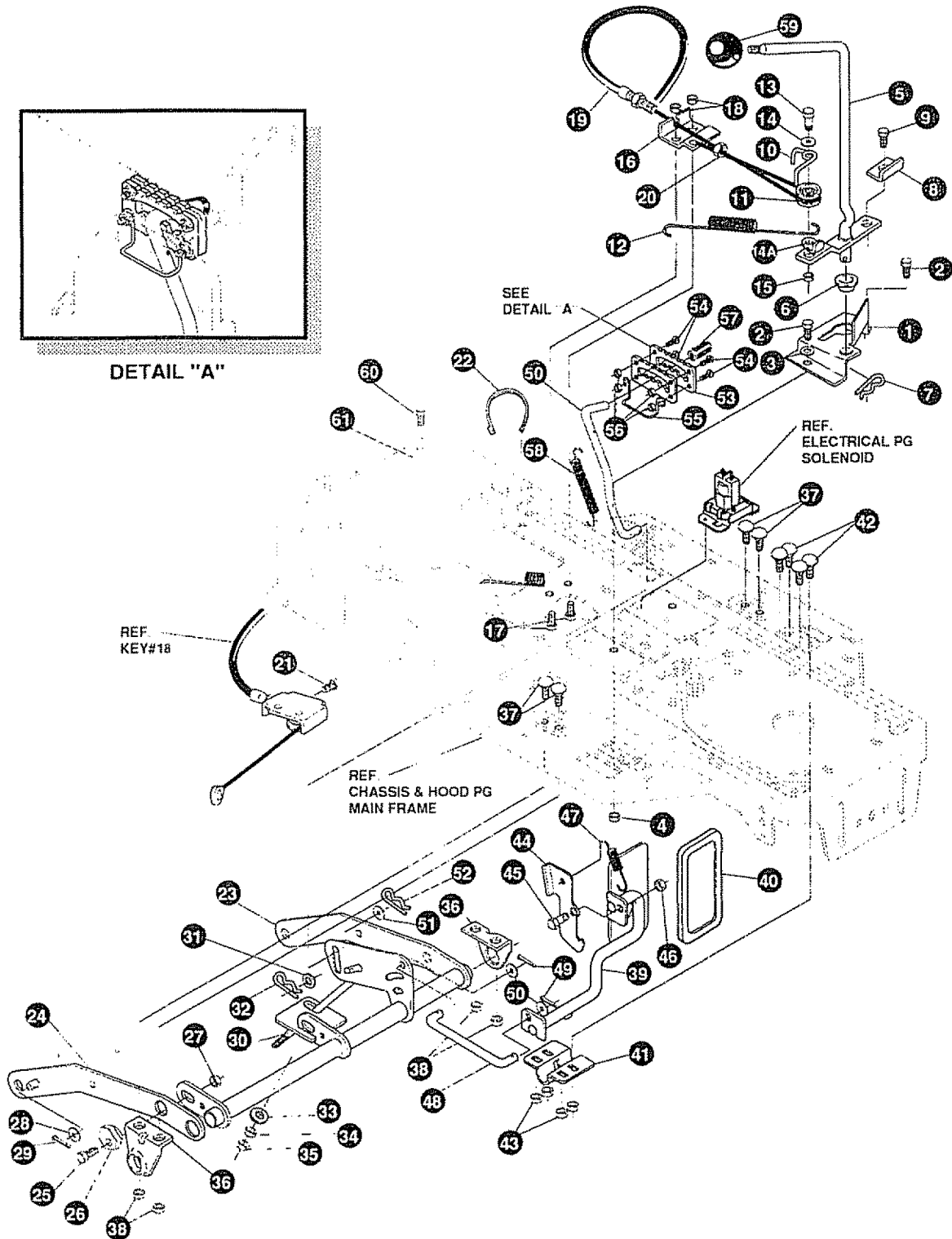
• STANDARD HARDWARE ITEMS.

CRAFTSMAN 43" LAWN TRACTOR MODEL 536.255870

MOWER SUSPENSION ASSEMBLY



DETAIL "A"



NOTE: ALWAYS USE ORIGINAL EQUIPMENT PARTS. Use of service/replacement parts other than original equipment parts may void your warranty.

ALL UNNUMBERED ITEMS ARE INTERCHANGEABLE WITH OPPOSITE SIDE

322997F

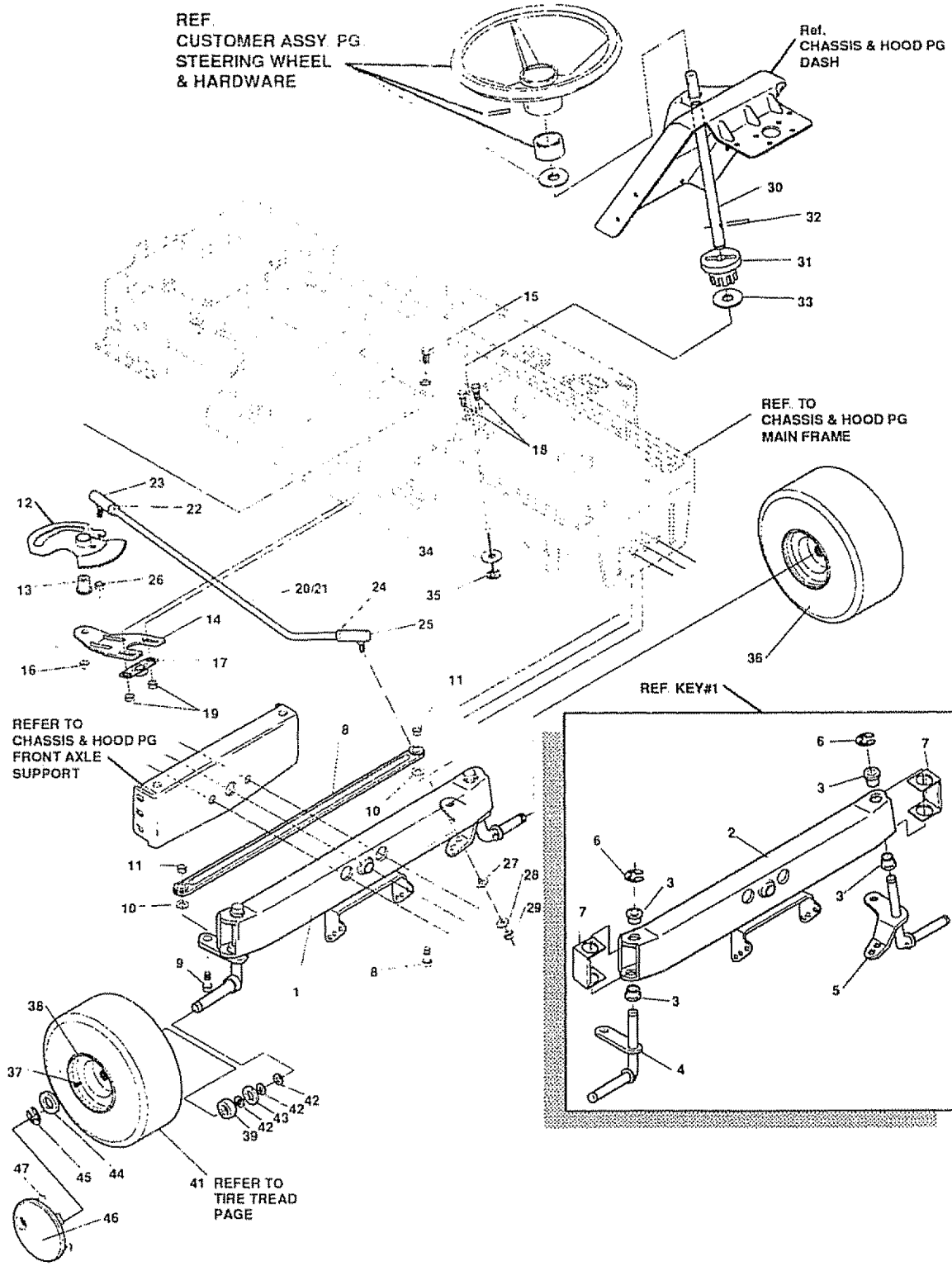
CRAFTSMAN 43" LAWN TRACTOR MODEL 536.255870

key#	part#	description	qty
1	320075-853	BRACKET,CLUT-ENGAGELEVERBLK	1
2	• 180079	SCREW, 5/16-18X1 00 HHC	2
3	120393	WASHER, FLAT .344X .69X 065	2
4	• 1498	NUT, 5/16-18 REGHEXCTRLK	2
5	317089	ASSY,CLUTCH LEVER	1
6	50148	BEARING,FL 503IDX 628OD	1
7	8260	PIN, HAIR 091 DIA X 1 66LG	1
8	318341	BRACKET,SWITCH ENGAGE	1
9	35498	SCREW, 5/16-18X 75 WAHHTAP	1
10	324032	CABLE KEEPER	1
11	48306	PULLEY, POWDER METAL	1
12	316648	SPRING 12 88 LONG	1
13	324045	BOLT, .375X 565 HHSH 1/4-20	1
14	315194	WASHER, FLAT 1 38 X 51 X 043 Z/YZ	1
14A	1288	BRACKET RETAINER	1
15	• 1502	NUT, 1/4-20 REGHEXCTRLK	1
16	300698-853	BRACKET, FRAME CABLE	1
17	• 180020	SCREW, 1/4-20X .75 HHC	2
18	• 1502	NUT, 1/4-20 REGHEXCTRLK	2
19	324055	ASSY,CABLE, BLADE ENGAGE	1
20	120613	NUT, 1/4-28 HJAM	1
21	35498	SCREW, 5/16-18X 75 WAHHTAP	1
22	57444	TIE, CABLE BLACK	1
23	322835-853	LIFT ASSY,LH P-LIFT J BLACK	1
24	300169-853	ASSY LINK RIGHT SIDE	1
25	• 180079	SCREW, 5/16-18X1 00 HHC	1
26	58247	ADJUSTING NUT	1
27	• 1498	NUT, 5/16-18 REGHEXCTRLK	1
28	417098	WASHER, FLAT 531X1.06X 095	2
29	8260	PIN, HAIR 091 DIA X 1 66LG	2
30	322821	ROD, ADJUSTING "J" P-LIFT	1
31	120394	WASHER, FLAT 406 X 81 X .065	1
32	36368	PIN, HAIR .072 DIA X 1 13 LG	1
33	996416	WASHER, FLAT 391 X 1 00 X .125	1
34	120377	NUT, 3/8-16 REG HX	1
35	322467	NUT, 3/8-16 REG HX NK LOC	1
36	58248-853	BRKT,REAR,HANG,SUSP	2
37	126211	BOLT, 5/16-18X 63 CARR	4
38	• 1498	NUT, 5/16-18 REGHEXCTRLK	4
39	314962-853	PEDAL ASSY, DECK HEIGHT BLK	1
40	314488	PAD, LIFT PEDAL	1
41	323751	BRACKET, LIFT ARM	1
42	126211	BOLT, 5/16-18X 63 CARR	4
43	44108	NUT, 5/16-18 HWDFLCTRLK	4
44	315342	LATCH,PEDAL LIFT	1
45	314829	BOLT, 5/8 X .13 HHSH 3/8-16	1
46	• 1499	NUT, 3/8-16 REGHXCTRLK	1
47	314489	SPRING, LIFT LATCH	1
48	314792	ROD, PIVOT	1
49	121222	PIN, COTTER .090/ 086X 75	2
50	321385	ROD, MEMORY	1
51	274517	WASHER, FLAT 406X 73X 063	3
52	36368	PIN,HAIR .072DIA X 1 13LG	1
53	315341	BRACKET,MEMORY	2
54	44811	SCREW, 1/4-20X .75 HXWATAP	4
55	324038	GUIDE, MEMORY ROD	1
56	• 1502	NUT, 1/4-20 REGHEXCTRLK	4
57	314969	CAP, MEMORY ROD 38ID X 75	1
58	314837	SPRING, MEMORY	1
59	321837	KNOB, MATTE BLACK	1
60	180077	SCREW, 5/16-18 X .75 HHC	1
61	1498	NUT, 5/16-18 REGHEXCTRLK	1

• STANDARD HARDWARE ITEMS.

CRAFTSMAN 43" LAWN TRACTOR MODEL 536.255870

FRONT STEERING ASSEMBLY



NOTE: ALWAYS USE ORIGINAL EQUIPMENT PARTS. Use of service/replacement parts other than original equipment parts may void your warranty

ALL UNNUMBERED ITEMS ARE INTERCHANGEABLE WITH OPPOSITE SIDE

328622A

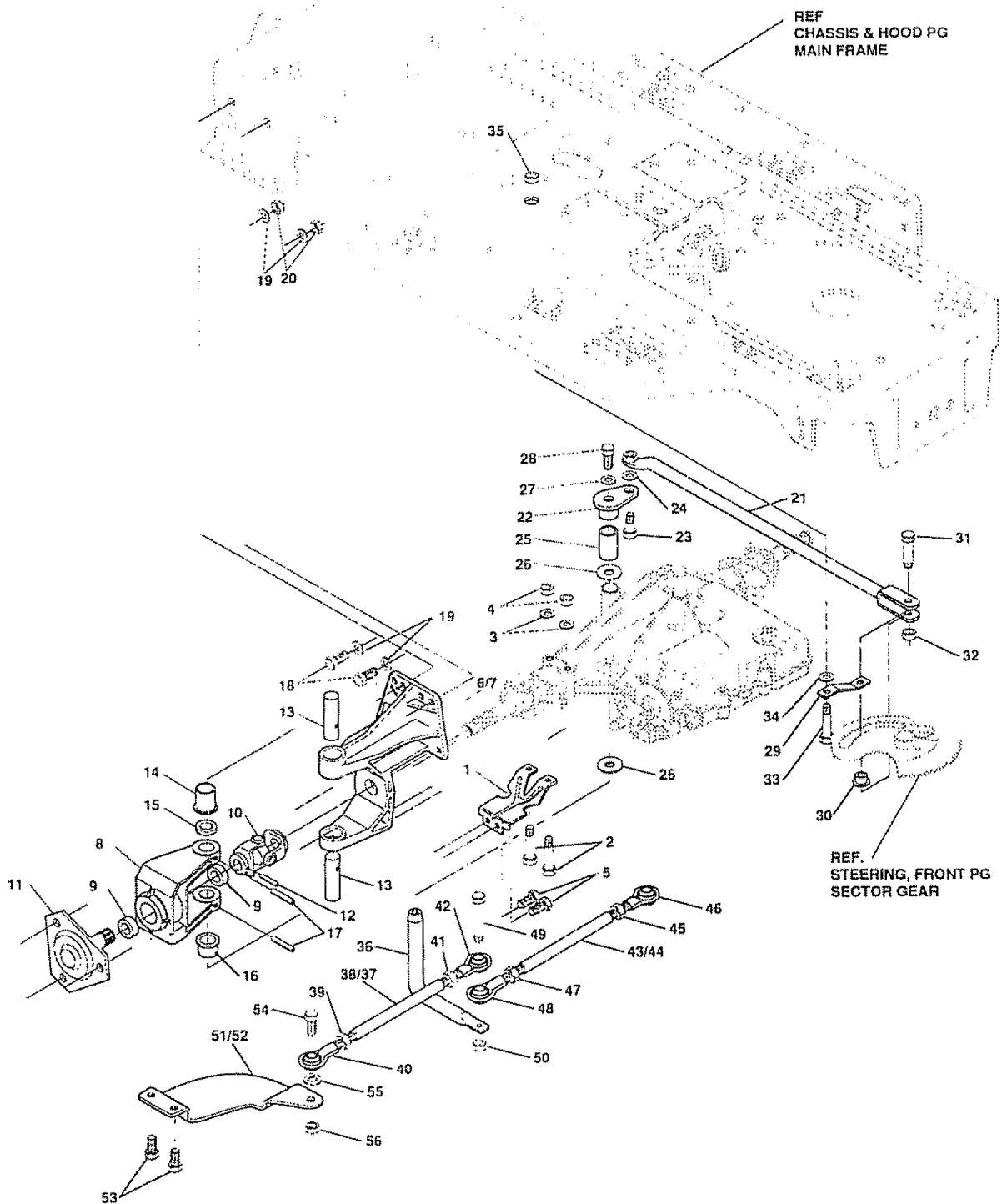
CRAFTSMAN 43" LAWN TRACTOR MODEL 536.255870

key#	part#	description	qty.
1	*	AXLE.FRONT ASSY SUS 4WS LF	1
2	300272-853	ASSY.FRONT AXLE SUS	1
3	52407	SPINDLE BEARING	4
4	318539	ASSY.SPINDLE RH LONG	1
5	318544	ASSY.SPINDLE,LH LONG	1
6	36625	RING. RETEX .57X.05TRU5133-75	2
7	53373-853	AXLE COVER	2
8	304590	TIE ROD ASSY 19 81LG W-SECTION	1
9	* 180128	SCREW, 3/8-16X1 75 HHC	2
10	* 120382	WASHER, REGSPTLK 393X 68X 10	2
11	* 120377	NUT, 3/8-16 REGHEX	2
12	313634	ASSY SECTOR GEAR 4WS LF	1
13	313629	BUSHING,SECTOR GEAR 4WS LF	1
14	313671-853	SUPPORT,SECTOR GEAR 4WS LF	1
15	315196	SCREW, 1/2-20X3.00 HHC	1
16	274654	NUT, 1/2-20 REGHXCTRLK	1
17	302498	BEARING FLANGE 0.5 BORE	1
18	323731	SCREW, 5/16-24 X.75 SQ CONE SEMS	2
19	71100	NUT, 5/16-24 HXWDFLLK	2
20	323752	ASM DRAGLINK 4WS LF	1
21	321449	DRAG LINK 625 DIA LF 4WS	1
22	124925	NUT, 3/8-24 REGHEXJAM	1
23	57158	BALL JOINT 3/8 THD SHORT STUD	1
24	272123	NUT, 7/16-20 HXJAM	1
25	302865	JOINT, BALL ASSY 7/16-20	1
26	46692	NUT, 3/8-24 WDFLHLK WHIZ	1
27	120396	WASHER. FLAT .531X1.06X 095	1
28	* 120383	WASHER. REGSPTLK 459X 78X 12	1
29	271506	NUT, 7/16-20 REGHX	1
30	318702	SHAFT, STEERING 4WS LF	1
31	302314	PINION STEERING	1
32	302524	PIN DOWEL STR ERO LT	1
33	315194	WASHER,FLAT 1.38 X .51X 043	1
34	2968	WASHER, FLAT .504X.75X .059	1
35	20864	RING. RET E .39X.04TRU5133-50	1
36	*	TIRE & RIM. PU 15X6 0X6 TURF SILVER 654	2
37	24167	VALVE STEM	1
38	321908	WHEEL W/BRG	1
39	314416	BEARING	1
40	706	ZERK FITTING	2
41	316702	REFER TO TIRE TREAD PAGE	
42	73840	WASHER	6
43	318550	WASHER. FELT	2
44	642	WASHER, FLAT .755 X 1.31 X .075	2
45	36625	RING, RETEX .57X.05TRU5133-75	2
46	306571	HUBCAP 6" SILVER 325/854	2
47	306669	CLIP	8

- * ORDER INDIVIDUAL PARTS.
- * STANDARD HARDWARE ITEMS.

CRAFTSMAN 43" LAWN TRACTOR MODEL 536.255870

REAR STEERING ASSEMBLY



NOTE: ALWAYS USE ORIGINAL EQUIPMENT PARTS. Use of service/replacement parts other than original equipment parts may void your warranty

ALL UNNUMBERED ITEMS ARE INTERCHANGEABLE WITH OPPOSITE SIDE

326137A

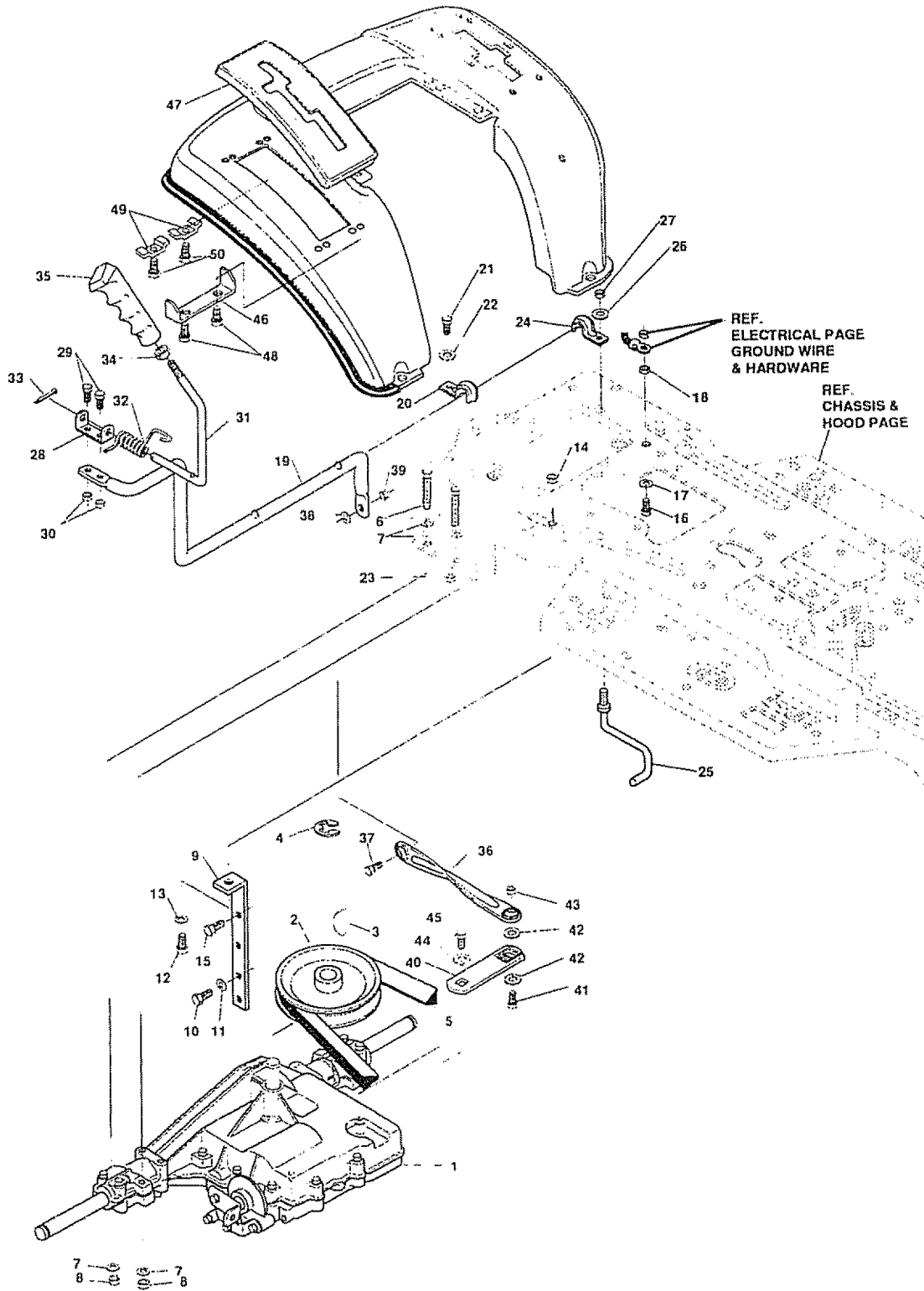
CRAFTSMAN 43" LAWN TRACTOR MODEL 536.255870

key#	part#	description	qty
1	303222-853	BRKT X-AXLE MTG	2
2	180091	◇ SCREW, 5/16-18X2 50 HHC	4
3	120393	WASHER, FLAT .344X .69X 065	4
4	1498	◇ NUT, 5/16-18 REGHEXCTRLK	4
5	35498	◇ SCREW, 5/16-18X .75 WAHHTAP	4
6	326135	U-JOINT ASM 4WS LD LF	2
7	314267	BRCKT,STRG PIVOT W/DRILL HOLES	2
8	12465	BRACKET,STR PIVOT	2
9	12325	BEARING	4
10	320531	U-JOINT ASSEMBLY (LONG)	2
11	12280-830	HUB ASSEMBLY GREY 861	2
12	36311	PIN, GROOVED .250 DIA X 1.50 LG	2
13	12289	PIN, STEERING HINGE	4
14	324578	BUSHING, SHOULDERED (OILITE	2
15	21682	WASHER, FLAT .765X1.25X.042 PL	2
16	324578	BUSHING, SHOULDERED (OILITE	2
17	456722	PIN, SPRING 250DIA X 1.50 LG HVPL	4
18	122017	◇ SCREW, 5/16-18X1.00 HHC	8
19	120393	WASHER, FLAT .344X .69X 065	16
20	1498	◇ NUT, 5/16-18 REGHEXCTRLK	8
21	324514	ROD ASM., DRAGLINK	1
22	308719	PIVOT, STEERING	1
23	12319	BOLT, .562X 340 HSH 3/8-24	1
24	120394	WASHER, FLAT 406X 81X.065	1
25	304115	SPACER, STEERING SHAFT	1
26	25177	WASHER, FLAT .765X1.19X 048	2
27	45602	WASHER, FLAT .333X .87X 119	1
28	421051	◇ SCREW, 5/16-24X1.00 HHC	1
29	302594	ARM ROLLER SWING 4 W	1
30	304116	CAM YOKE ROLLER	1
31	304122	SHOULDER BOLT CAM ROLLER	1
32	274654	◇ NUT, 1/2-20 REGHXCTRLK	1
33	324638	SHOULD BOLT CAM FOLLOWER	1
34	996307	WASHER, FLAT .391X1.00X 209	1
35	412349	◇ NUT, 3/8-24 HXCTRLK	1
36	308720	SHAFT, STEERING PIVOT	1
37	323634	TIE ROD ASSY RH	1
38	308447	ROD, TIE 1/2"D X 8.00 LG	1
39	308399	◇ NUT, 3/8-24 LH THD REGHJAM	1
40	308384	ROD, TIE END LH 3/8-24 EURO	1
41	124925	◇ NUT, 3/8-24 REGHEXJAM	1
42	304260	ROD, TIE END RH	1
43	323635	TIE ROD ASSY LH	1
44	308446	ROD, TIE 1/2"D X 9.5 LG	1
45	308399	NUT, 3/8-24 LH THD REGHJAM	1
46	308384	ROD, TIE END LH 3/8-24 EURO	1
47	124925	NUT, 3/8-24 REGHEXJAM	1
48	304260	ROD, TIE END RH	1
49	181646	◇ SCREW, 3/8-24X1.75 HHC	1
50	412349	◇ NUT, 3/8-24 HXCTRLK	1
51	304120-853	ARM RW STR ERO RH	1
52	304121-853	ARM RW STR ERO LH	1
53	39728	◇ SCREW, 3/8-16X .75WAHHTAP BK	4
54	181639	◇ SCREW, 3/8-24X1.25 HHC	2
55	120382	WASHER, REGSPTLK 393X 68X 10	2
56	412349	◇ NUT, 3/8-24 HXCTRLK	2

◇ Indicates STANDARD HARDWARE ITEMS

CRAFTSMAN 43" LAWN TRACTOR MODEL 536.255870

MOTION DRIVE ASSEMBLY



NOTE: ALWAYS USE ORIGINAL EQUIPMENT PARTS
Use of service/replacement parts other than original equipment parts may void your warranty.

**ALL UNNUMBERED
ITEMS ARE INTERCHANGEABLE
WITH OPPOSITE SIDE**

328041A

CRAFTSMAN 43" LAWN TRACTOR MODEL 536.255870

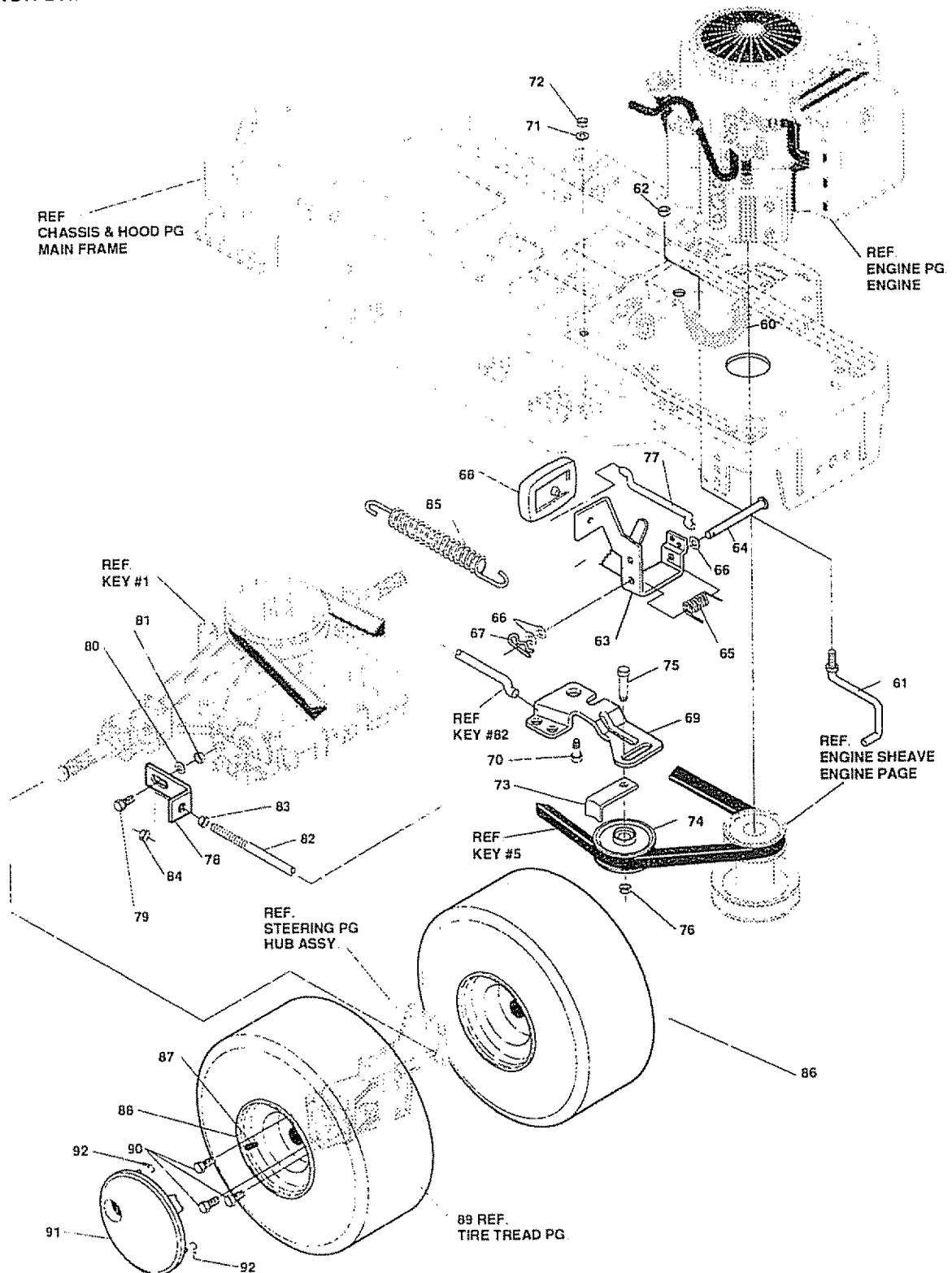
key#	part#	description	qty
1	*	TRANSAXLE P930-042 6SP	1
2	303109	PULLEY, V4L 920TA	1
3	3021	KEY, WDRF 606 750X.187X 312	1
4	22053	RING, RETEX 58X 04TRU5100-62	1
5	314120	BELT, V 4L 87 25	1
6	• 180089	SCREW, 5/16-18X2 25 HHC	4
7	120393	WASHER, FLAT .344X .69X 065	8
8	• 1498	NUT, 5/16-18 REGHEXCTRLK	4
9	323739	STABILIZER BRKT P920.F4150 930 OIL DIP	1
10	• 35498	SCREW, 5/16-18X 75 WAHHTAP	2
11	120638	WASHER, HVSPTLK 328X.60X 09	2
12	• 122017	SCREW, 5/16-18X1 00 HHC	1
13	120393	WASHER, FLAT .344X .69X 065	1
14	• 1498	NUT, 5/16-18 REGHEXCTRLK	1
15	50947	SCREW, 3/8-16X1 25 WAHHTAP	1
16	• 122007	SCREW, 5/16-18X .75 HHC	1
17	138538	WASHER, REGINTLK 320X.61X 03	1
18	• 1498	NUT, 5/16-18 REGHEXCTRLK	1
19	319111	LEVER,SHIFT,LWR 4360	1
20	310347-853	CLIP-SHIFT LEVER	1
21	• 180079	SCREW, 5/16-18X 1 00 HHC	1
22	996416	WASHER, FLAT .391X1.00X.125	1
23	• 1498	NUT, 5/16-18 REGHEXCTRLK	1
24	310347-853	CLIP-SHIFT LEVER	1
25	57259	GUIDE, BELT 5/16-18THD	1
26	996416	WASHER, FLAT .391X1.00X 125	1
27	• 1498	NUT, 5/16-18 REGHEXCTRLK	1
28	318544	PIVOT BRKT LEVER	1
29	• 180018	SCREW, 1/4-20X 62 HHC	2
30	• 1502	NUT, 1/4-20 REGHEXCTRLK	2
31	324798	LEVER, SHIFT UPPER	1
32	310265	SPRING, TORS 56X 95X 095	1
33	137185	PIN, COTTER .125 DIA X1 00LG	1
34	• 120238	NUT, 1/2-13 HEXJAM	1
35	306690	HANDLE 1/2-13	1
36	314965	LINK TIE ROD SHIFTER	1
37	• 180124	SCREW, 3/8-16X1.25 HHC	1
38	120382	WASHER, REGSPTLK .393X 68X 10	1
39	• 1499	NUT, 3/8-16 REGHXCTRLK	1
40	309637	BRACKET,SHIFT 5SP	1
41	• 180124	SCREW, 3/8-16X1 25 HHC	1
42	120394	WASHER, FLAT .406X .81X 065	2
43	• 1499	NUT, 3/8-16 REGHXCTRLK	1
44	57157	WASHER, 750X 250	1
45	• 56255	SCREW, 1/4-28X .75 NYLHHC	1
46	311257-853	BRACKET COVER	1
47	311209	COVER PLASTIC	1
48	311331	SCREW,1/4-15X 44/ 53 HILOHHWA	2
49	1341	CLAMP SPRING	2
50	311331	SCREW,1/4-15X 44/ 53 HILOHHWA	2

• Indicates STANDARD HARDWARE ITEMS

* See Transaxle Breakdown Pages

CRAFTSMAN 43" LAWN TRACTOR MODEL 536.255870

MOTION DRIVE ASSEMBLY



NOTE: ALWAYS USE ORIGINAL EQUIPMENT PARTS
Use of service/replacement parts other than original equipment parts may void your warranty.

**ALL UNNUMBERED
ITEMS ARE INTERCHANGEABLE
WITH OPPOSITE SIDE**

328041A

CRAFTSMAN 43" LAWN TRACTOR MODEL 536.255870

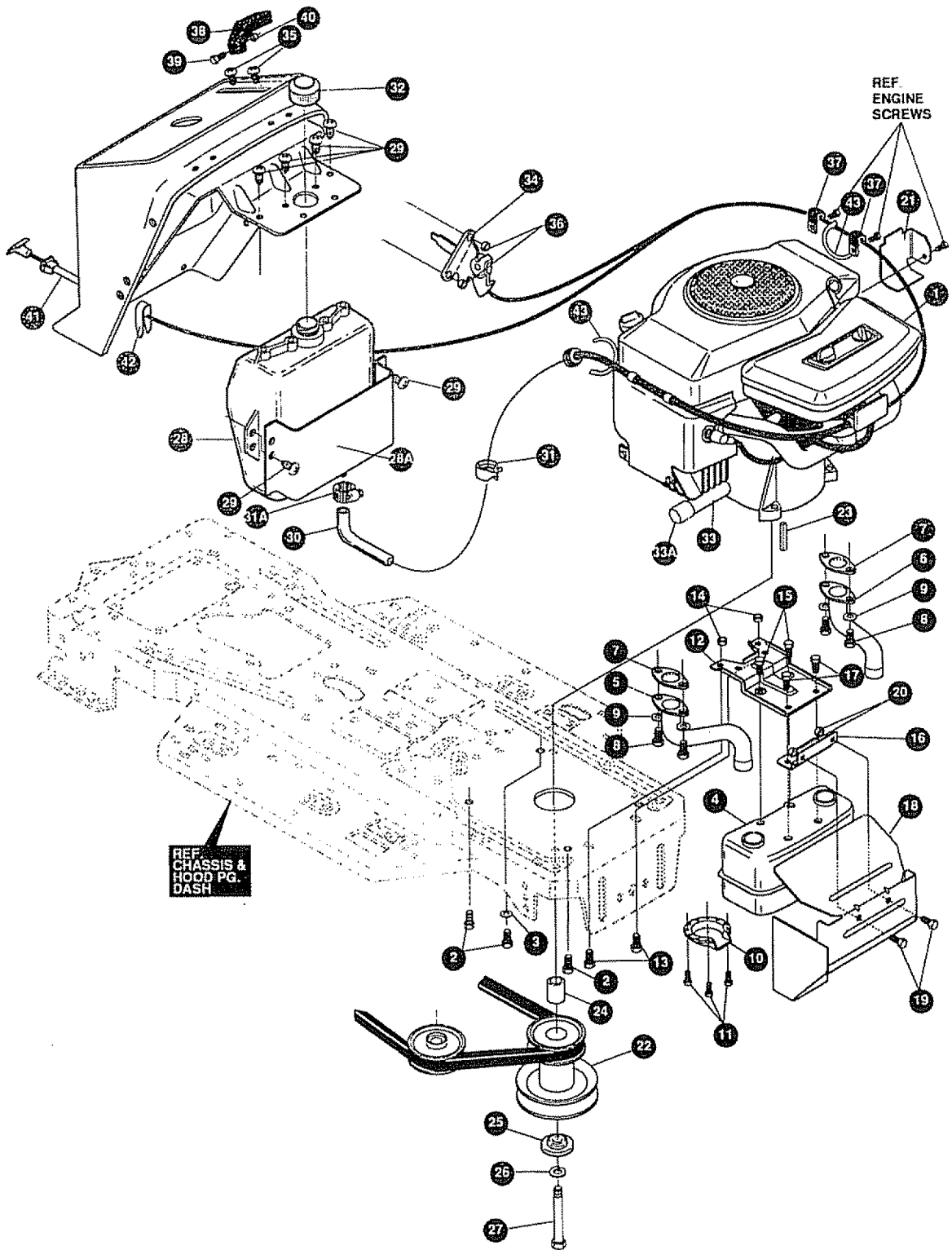
key#	part#	description	qty
60	321514	SPRING BIAS DRAGLINK	1
61	304016	GUIDE BELT	1
62	1498	NUT, 5/16-18 REGHEXCTRLK	1
63	325942	PEDAL ASSY.BRAKE/CLUTCH	1
64	319675	PIN CLEVIS	1
65	57847	SPRING, BRAKE PEDAL	1
66	2968	WASHER, FLAT 504X 75X 059	3
67	56180	PIN,HAIR	1
68	48160	PAD, CLUTCH BRAKE	1
69	320381-853	ARM, IDLER TRACTION DR.	1
70	300793	BOLT, .625X .135 HSSH 5/16-18	1
71	45602	WASHER, FLAT .333X .87X 119	1
72	• 1498	NUT, 5/16-18 REGHEXCTRLK	1
73	39659	RETAINER, STRAP BELT	1
74	35374	PULLEY, IDLER V4L 3.06X .62	1
75	45892	BOLT, 3/8-16X1.50 CARR	1
76	• 1499	NUT, 3/8-16 REGHXCTRLK	1
77	57204	ROD, CLUTCH	1
78	57217-853	BRACKET, BRAKE ROD	1
79	20507	BOLT, .437X 156 HSSH 5/16-18	1
80	45602	WASHER, FLAT .333X .87X 119	1
81	• 1498	NUT, 5/16-18 REGHEXCTRLK	1
82	313659	ROD, BRAKE P920 4WS	1
83	• 271184	NUT, 5/16-18 HEXKEPS	1
84	• 1498	NUT, 5/16-18 REGHEXCTRLK	1
85	313660	SPRING, CLUTCH 113X 750X8 75	1
86	*	TIRE & RIM, PU 20-10X8 Silver 654	2
87	24167	VALVE STEM	1
88	321915	RIM, WHEEL 20X8 854	1
89	319686	TIRE, PU 20X10X8 SQSH	1
90	• 123418	SCREW, 1/2-20X 50 HHC	6
91	306572	8" HUB CAP Silver 654	2
92	306669	CLIPS, HUB CAPS	10

* Order Individual Parts.

• Indicates STANDARD HARDWARE ITEMS

CRAFTSMAN 43" LAWN TRACTOR MODEL 536.255870

ENGINE & CONTROL ASSEMBLY



NOTE: ALWAYS USE ORIGINAL EQUIPMENT PARTS. Use of service/replacement parts other than original equipment parts may void your warranty.

ALL UNNUMBERED ITEMS ARE INTERCHANGEABLE WITH OPPOSITE SIDE

327961B

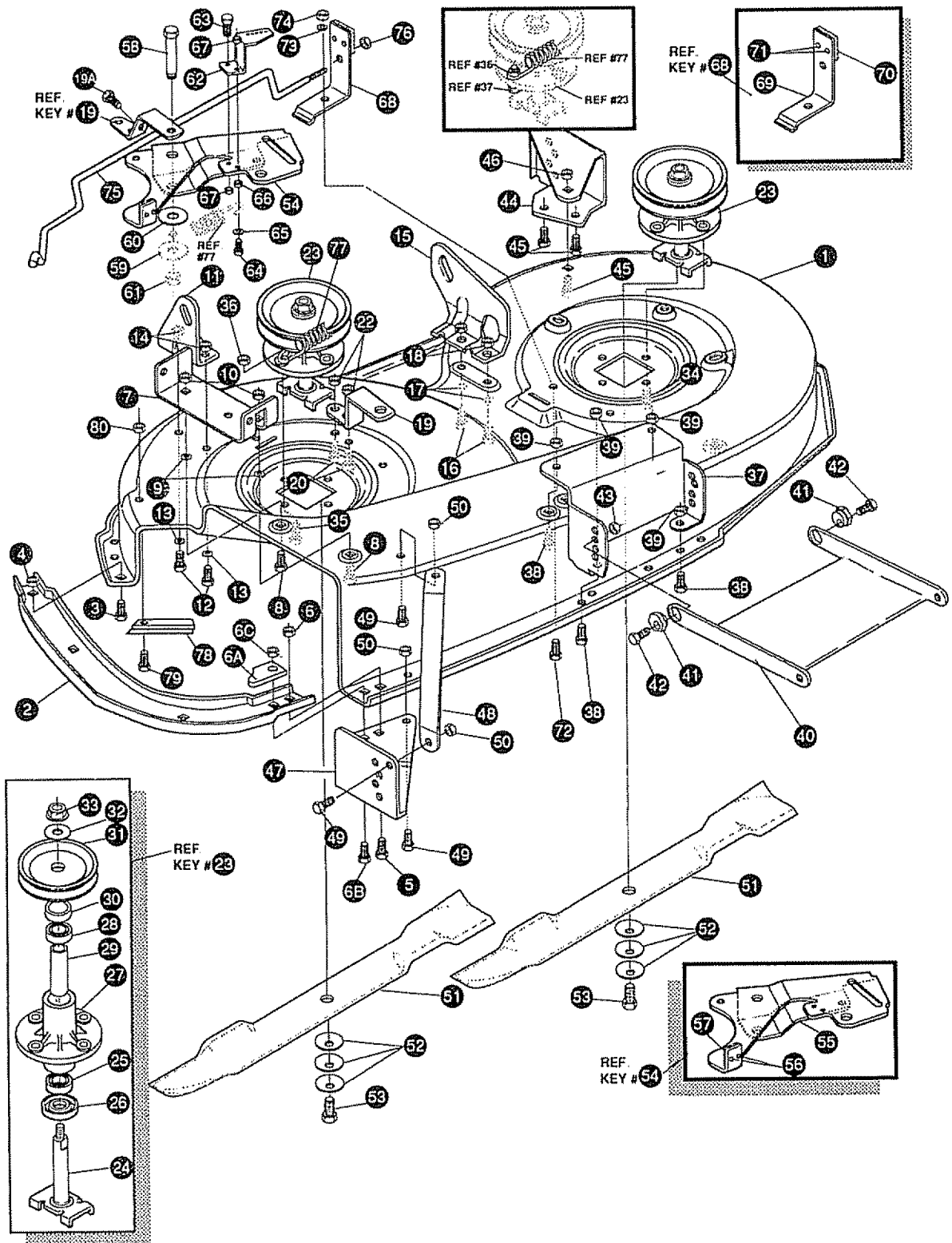
CRAFTSMAN 43" LAWN TRACTOR MODEL 536.255870

KEY#	PART#	DESCRIPTION	QTY.
1	*	ENGINE,B&S 15HP TWIN OPPI/C	1
2	50947	SCREW, 3/8-16X1.25 WAHHTAPBLKP	4
3	138489	WASHER, EXLK .384X.69X 04	1
4	305550	MUFFLER,16/18HP LARGE LO-TONE	1
5	305552	EXHAUST TUBE RH	1
6	305551	EXHAUST TUBE LH	1
7	56640	GASKET, MUFFLER	2
8	180020	SCREW, 1/4-20X .75 HHC	4
9	120380	WASHER, REGSPTLK.263X 49X.07	4
10	56472	DEFLECTOR SIDE OUT (BS222573)	1
11	35287	SCREW, #8-32X .38 HHWATAP	3
12	304709-853	BRACKET,MUFFLER	1
13	56030	SCREW, 5/16-18X.75WDFLLK	2
14	55273	NUT, 5/16-18 HXWDFLLK	2
15	995346	SCREW, 1/4-20X .50 WAHHTAP	2
16	9796	BRACKET, TRANSAXLE MOUNTING	1
17	995338	SCREW, 1/4-20X .63 HHWATAP	2
18	327938-853	SHIELD,MUFFLER HEAT	1
19	180077	SCREW, 5/16-18X .75 HHC	2
20	55273	NUT, 5/16-18 HXWDFLLK	2
21	56470-853	DEFLECTOR, COOL AIR	1
22	328034	PULLEY, ENG V3L 4 00 OFFSET	1
23	303151	KEY, SQUARE .249SQX4 50LG	1
24	304246	SPACER, SLEV1.01X1.484X .	1
25	56431	WASHER, 980IDX1.38ODX.437PILOT	1
26	120383	WASHER, REGSPTLK 459X 78X 12	1
27	433146	SCREW, 7/16-20X4 25 HHC BLK PH	1
28	314992	TANK, FUEL 2 GAL CLEAR	1
28A	301087-853	SHIELD, HEAT FUEL TANK	1
29	49050	SCREW, 1/4-10X .75PHPNTAP	6
30	41007	TUBING, .25X 50X BULK GAS LINE	15
31	47345	CLAMP HOSE, SCREW TYPE	1
31A	47345	CLAMP, FUEL LINE RED	2
32	46704	CAP, GAS 1-1/2-7 THD BLK	1
33	325547	OIL DRAIN	1
33A	47828	CAP, PIPE 3/89-18 NPT	1
34	309092	CONTROL, THROTTLE	1
35	320553	SCREW, 10-24X 63PHPNMA CRSS	2
36	271166	NUT, #10-24 HEXKEPS	2
37	57569	WIRE RETAINER	2
38	300508	KNOB, THROTTLE	1
39	159585	SCREW #8-32 X .38 PHPNMA	1
40	120622	NUT, #8-32 REHEX	1
38	56538	RETAINER, WIRE	1
39	35258	SCREW, 10-24X.38 SLHWATAP	1
40	50607	KNOB, ROUND THROTTLE BLACK	1
41	327986	CONTROL,CHOKE 42.25LG PAN TK	1
42	314522	CLIP, CHOKE RETAINER	1
43	57444	TIE, CABLE BLACK	2

* See Engine Pages.

CRAFTSMAN 43" LAWN TRACTOR MODEL 536.255870

PRE-PAINTED DECK ASSEMBLY



NOTE: ALWAYS USE ORIGINAL EQUIPMENT PARTS. Use of service/replacement parts other than original equipment parts may void your warranty.

ALL UNNUMBERED
ITEMS ARE INTERCHANGEABLE
WITH OPPOSITE SIDE

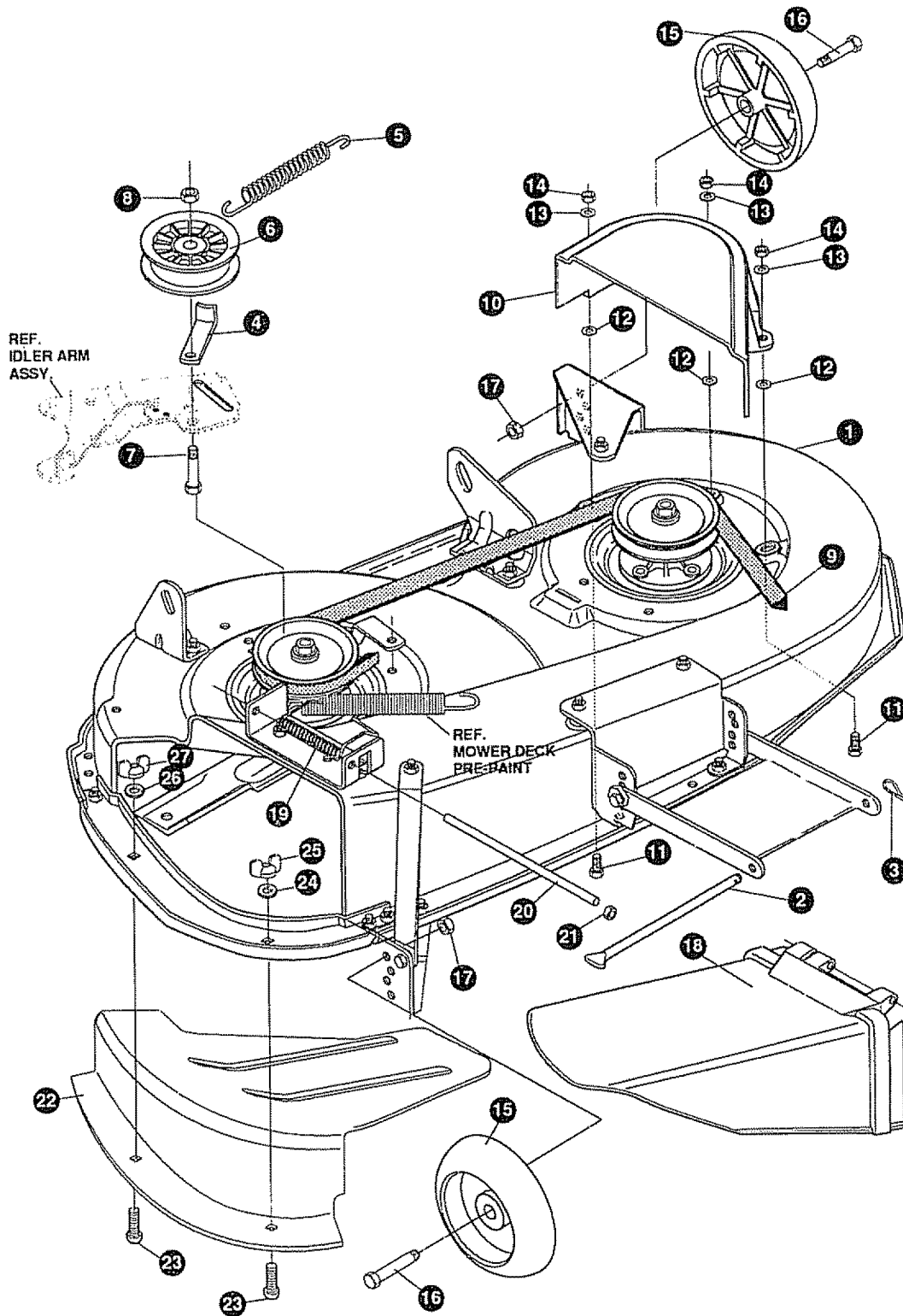
327957C

CRAFTSMAN 43" LAWN TRACTOR MODEL 536.255870

KEY#	PART#	DESCRIPTION	QTY.
1	327452	MOWER DECKS, RIDER 43" MULCHING	1
2	326480-853	TOE GUARD	1
3	180075	SCREW, 5/16-18X .63 HHC	1
4	1498	NUT, 5/16-18 REGHEXCTRLK	1
5	122007	SCREW, 5/16-18X .75 HHC	1
6	1498	NUT, 5/16-18 REGHEXCTRLK	1
6A	327280-853	BRACKET, REFLECTOR STOP	1
6B	122027	SCREW, 5/16-18X1.25	1
6C	1498	NUT, 5/16-18 REGHEXCTRLK	1
7	317017	BRACKET CHUTE MOUNT	1
8	180075	SCREW, 5/16-18X .63 HHC	2
9	120393	WASHER, FLAT .344X.69X.065	2
10	1498	NUT, 5/16-18 REGHEXCTRLK	2
11	313929	LIFT BRACKET, REAR, RH	1
12	180077	SCREW, 5/16-18X .75 HHC	2
13	120393	WASHER, FLAT .344X .69X 065	2
14	1498	NUT, 5/16-18 REGHEXCTRLK	2
15	310667	BRACKET, DECK LIFT REAR LH	1
16	180077	SCREW, 5/16-18X .75 HHC GR5	2
17	120393	WASHER, FLAT .344X .69X.065	2
18	1498	NUT, 5/16-18 REGHEXCTRLK	2
19	326893-853	BRACE IDLER	1
19A	308231	SCREW, 1/4-20X1.25 HHWATAP	1
20	180077	SCREW, 5/16-18X .75 HHC	2
22	44108	NUT, 5/16-18 HWDFLCTRLK	2
23	56424-853	QUILL ASSY, 36/39/40/43	2
24	56425	SHAFT/SADDLE 36"	1
25	49562	BRNG, BALL	1
26	50616	DUST SHIELD	1
27	55547	QUILL CASTING (1046)	1
28	49562	BRNG, BALL	1
29	50818	SPACER, 3.797LGX.669IDX.880D	1
30	51449	SPACER, .438LGX.932DDX.672ID	1
31	56390	PULLEY .26/36" QUILL V5L	1
32	313898	SPECIAL WASHER	1
33	1282	NUT, 7/16-20 WDFLLK	1
34	50634	SCREW, 5/16-18X .88 WAHTAP	7
35	300345	SCREW, 5/16-18X1.38 WATAP	1
36	1498	NUT, 5/16-18 REGHEXCTRLK	1
37	313778	BRACKET FRT.	1
38	180075	SCREW, 5/16-18X .63 HHC	4
39	1498	NUT, 5/16-18 REGHEXCTRLK	4
40	58305	LINK BRACKET, DECK FR	1
41	58247	ADJUSTING NUT	2
42	122017	SCREW, 5/16-18X1.00 HHC	2
43	1498	NUT, 5/16-18 REGHEXCTRLK	2
44	304426	BRACKET, GAGE WHEEL, L.H.	1
45	180075	SCREW, 5/16-18X .63 HHC	3
46	1498	NUT, 5/16-18 REGHEXCTRLK	3
47	322464	BRACKET, GAGE WHEEL, R.H. FRNT	1
48	314282	BRACKET, STABILIZER	1
49	180075	SCREW, 5/16-18X .63 HHC	3
50	1498	NUT, 5/16-18 REGHEXCTRLK	3
51	325762	BLADE, MULCHING 21.70	2
52	2483	WASHER, 39IDX1.25DX.07 BELLVIL	6
53	47665	SCREW, 3/8-24X1.25 NYLHHC GR5	2
54	320576	IDLER ARM ASSY	1
55	322116	IDLER ARM	1
56	41601	RIVET	2
57	306973	BRAKE PAD	1
58	304420	SHOULDER BOLT	1
59	996416	WASHER, FLAT 391X1.00X.125	1
60	996307	WASHER, FLAT 391X1.00X.209	1
61	45171	NUT, 3/8-16 HWDFL WHIZ-LOCK	1
62	326249	BRACKET, EXTENSION IDLER	1
63	180075	SCREW 5/16-18X.63 HHC GR 5	1
64	180083	SCREW, 5/16-18X1.50 HHC GR 5	1
65	446363	WASHER, FLAT	1
66	271184	NUT 5/16-18 HEX KEPS	1
67	1498	NUT	2
68	321828	BLADE BRAKE ASSY	1
69	304119-853	BRAKE ARM	1
70	306973	BRAKE PAD	1
71	135624	RIVET	2
72	180075	SCREW, 5/16-18X.63	1
73	120393	WASHER, FLAT .344X.69X.065	1
74	1498	NUT, 5/16-18 REGHEXCTRLK	1
75	314079	ROD, BRAKE	1
76	1502	NUT, 1/4-20 REGHEXCTRLK	1
77	35410	SPRING	1
78	327570	KICKER, MULCHER	1
79	126216	BOLT 5/16-18X .75	1
80	1498	NUT, 5/16-18 REGHEXCTRLK	1

CRAFTSMAN 43" LAWN TRACTOR MODEL 536.255870

FINAL DECK ASSEMBLY



NOTE: ALWAYS USE ORIGINAL EQUIPMENT PARTS.
Use of service/replacement parts other than original equipment parts may void your warranty

**ALL UNNUMBERED
ITEMS ARE INTERCHANGEABLE
WITH OPPOSITE SIDE**

3279588

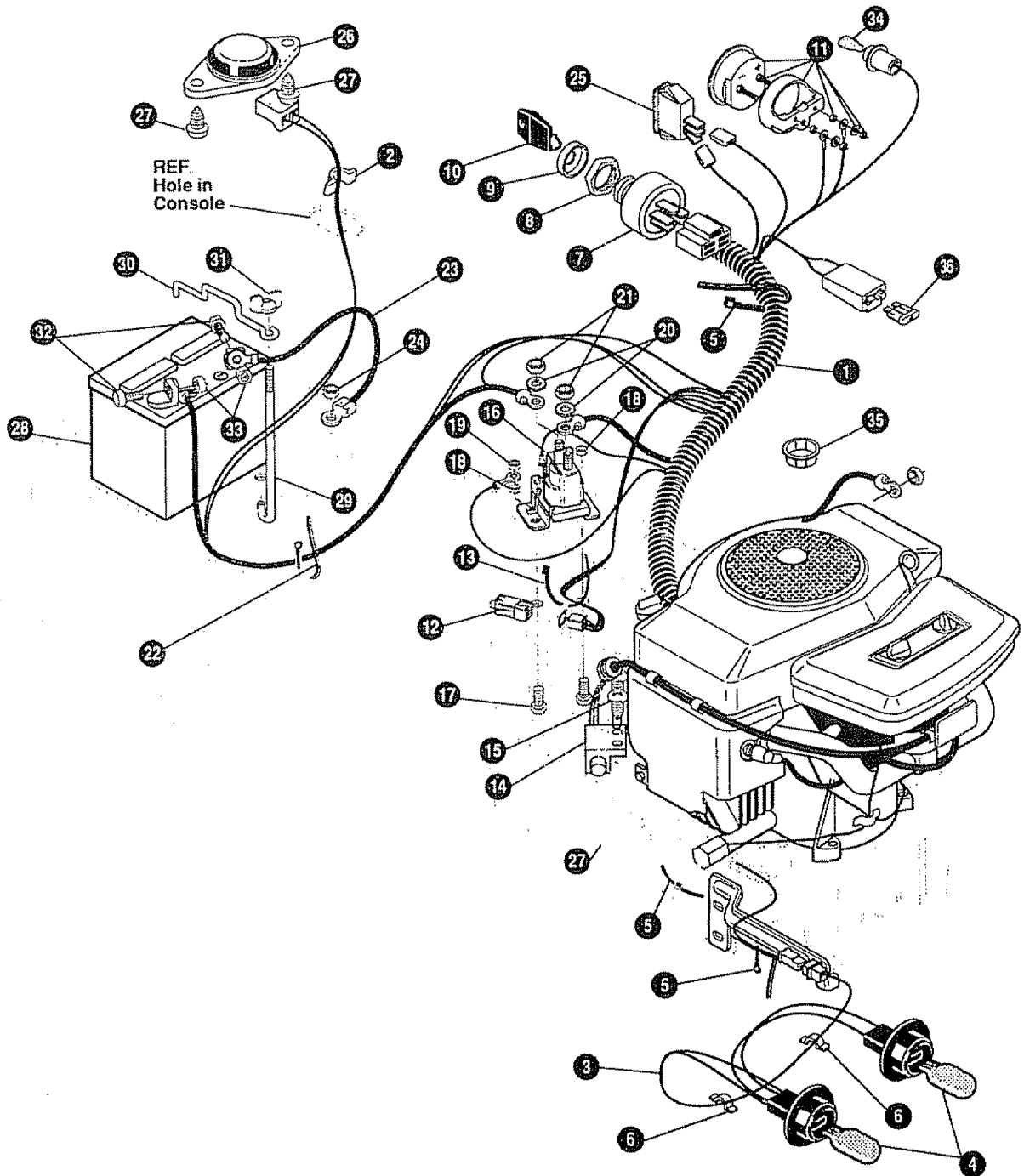
CRAFTSMAN 43" LAWN TRACTOR MODEL 536.255870

key#	part#	description	qty.
1	*	DECK,43" MOWER W/MULCHER BAFFLES	1
2	58306	ROD, DECK HITCH	1
3	8260	PIN. HAIR .091 DIA X 1.66LG	1
4	1346	GUIDE, BELT, IDLER	1
5	314107	SPRING, TENSION 5 00LG+17LB/IN	1
6	310326	PULLEY, IDLER BFF 4.00 WIDE FL	1
7	126416	BOLT, 3/8-16X1.75 CARR	1
8	• 44374	NUT, 3/8-16 HXWDFLLK	1
9	314108	BELT, V 5L 86.00 KEVLAR	1
10	324814	GUARD, BELT LH PLASTIC	1
11	57101	CARRIAGE BOLT 5/16-18X.75 GR2	3
12	309436	PUSHNUT 5/16 NON-SERVICEABLE	3
13	120393	WASHER, FLAT .344X .69X.065	3
14	• 1498	NUT, 5/16-18 REGHEXCTRLK	3
15	302611	GUAGE WHEELS	2
16	23763	BOLT, 500XX1.390 HSSH	2
17	1499	NUT, 3/8-16 REGHXCTRLK	2
18	304422	CHUTE DEFLECTOR	1
19	314975	TORSION SPRING	1
20	304424	ROD PIVOT DECK	1
21	3535	PUSH NUT	1
22	326369-853	MULCHER PLUG 43"	1
23	126216	BOLT 5/16-18X.75 CARR	2
24	138485	LOCKWASHER	2
25	327457	WINGNUT 5/16-18	2

* ORDER INDIVIDUAL PARTS.
 ° STANDARD HARDWARE PARTS

CRAFTSMAN 43" LAWN TRACTOR MODEL 536.255870

ELECTRICAL ASSEMBLY



NOTE: ALWAYS USE ORIGINAL EQUIPMENT PARTS
Use of service/replacement parts other than original equipment parts may void your warranty.

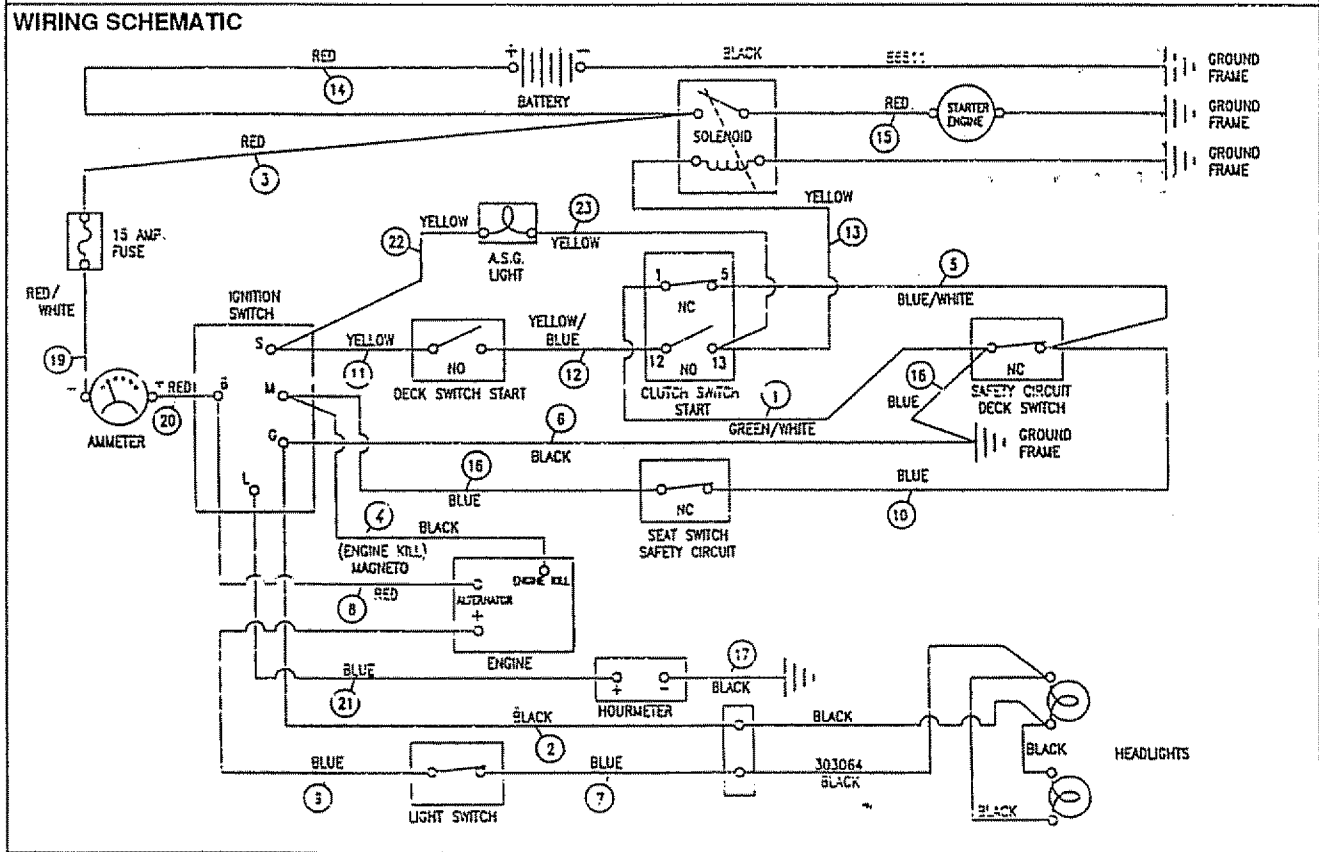
**ALL UNNUMBERED
ITEMS ARE INTERCHANGEABLE
WITH OPPOSITE SIDE**

327959A

CRAFTSMAN 43" LAWN TRACTOR MODEL. 536.255870

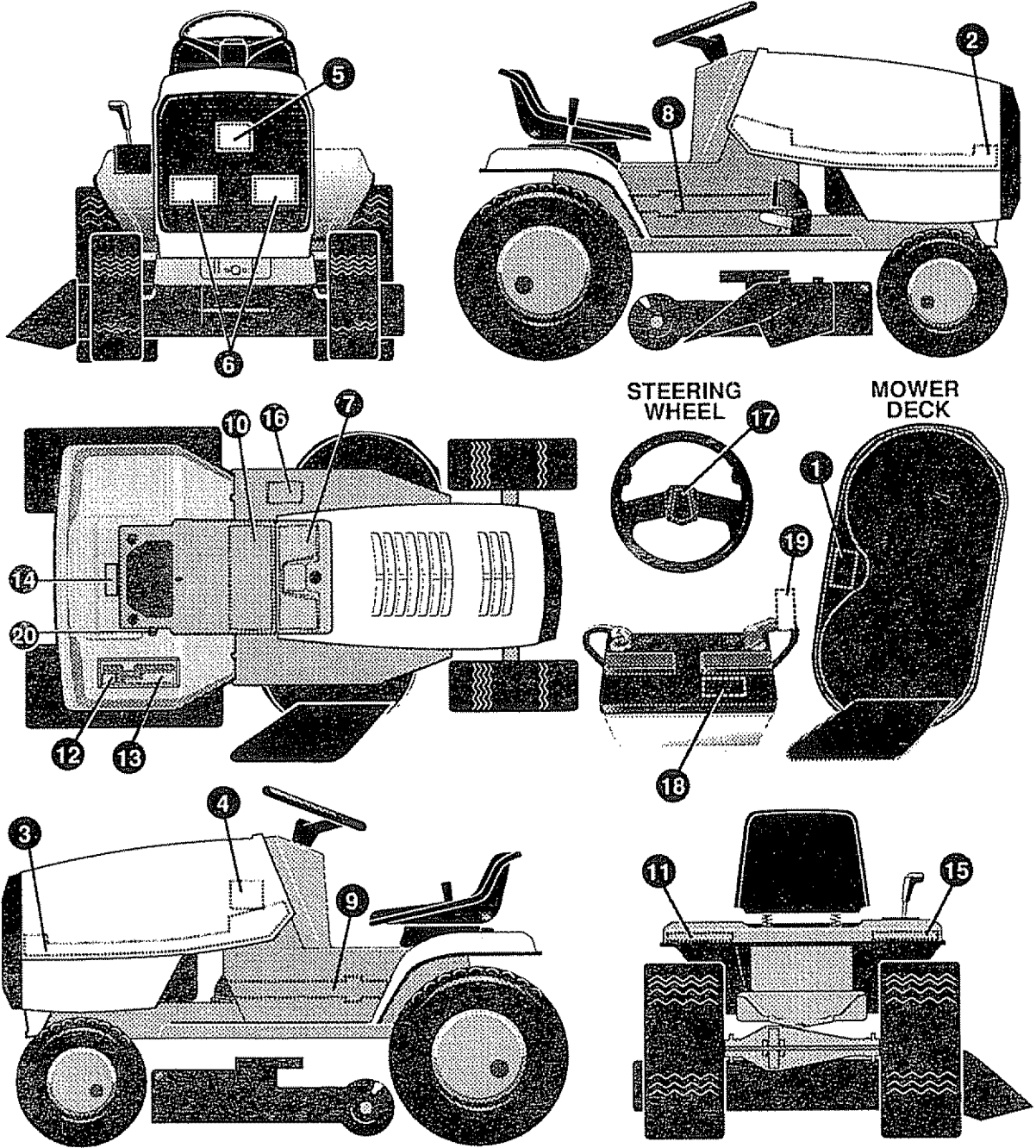
key#	part#	description	qty
1	326810	WIRE HARNESS 14-18 TWIN OPPOSED	1
2	41482	PRESS CLIP, 1.380LG .255ID	2
3	303064	ASSY. LIGHT WIRE-1/4 TURN	1
4	52572	BULB, HEADLAMP	2
5	57444	TIE, CABLE BLACK NYLON 5 62L	3
6	41482	PRESS CLIP, 1.380LG .255ID	2
7	327355	SWITCH-IGN.(AFTER FIRE) 3 POSN	1
8	327352	NUT, 5/8-32 ACC #125 PLAST BLK	1
9	300194	BOOT IGNITION SWITCH	1
10	327350	KEY, IGNITION SWITCH	1
11	315902	AMMETER ASSY=>309373,121685	1
12	320082	SWITCH,DOUBLE POLE NO/NC	1
13	57444	WIRE TIE	1
14	57476	SWITCH.SCR MNT DP NC NO	1
15	57220	SCREW, #12 X 50 PHPNHTAP	2
16	53716	SOLENOID	1
17	• 187745	SCREW, 1/4-20X .75 HXSEMMA	2
18	• 1502	NUT, 1/4-20 REGHEXCTRLK	2
19	• 271172	NUT, 1/4-20 REGHEXKEPS	1
20	138485	WASHER, EXLK 320X 61X 03	2
21	• 120368	NUT, 5/16-24 REGHEX	2
22	57444	TIE, CABLE BLACK NYLON	1
23	55511	WIRE, GROUND, 12.5"	1
24	• 271184	NUT, 5/16-18 HEXKEPS	1
25	• 300334	LIGHT SWITCH ON/OFF PANEL MNT	1
26	57547	SWITCH, SEAT	1
27	• 160505	SCREW, 1/4-20X .38PHPNHMA	2
28	306694	BATTERY U1-9L 12 VOLT 28 AMP HR	1
29	57551	ROD, BATTERY	1
30	57552	ROD, BATTERY, TOP	1
31	325232	NUT, WING 1/4-20 SMALL PLASTIC	1
32	• 120854	SCREW, 1/4-20X .63 HHC	2
33	• 271172	NUT, 1/4-20 REGHEXKEPS	2
34	57769	BULB INDICATOR	1
35	322998	SNAP BUSHING HEYCO #SB1250-16	1
36	•• 302031	FUSE, 15 AMP SPADE TYPE	1

• Indicates STANDARD HARDWARE ITEMS.
 •• SPADE TYPE FUSES ARE INCLUDED WITH THE WIRE HARNESS



CRAFTSMAN 43" LAWN TRACTOR MODEL 536.255870

DECALS



NOTE: ALWAYS USE ORIGINAL EQUIPMENT PARTS.
Use of service/replacement parts other than original equipment parts may void your warranty.

**ALL UNNUMBERED
ITEMS ARE INTERCHANGABLE
WITH OPPOSITE SIDE**

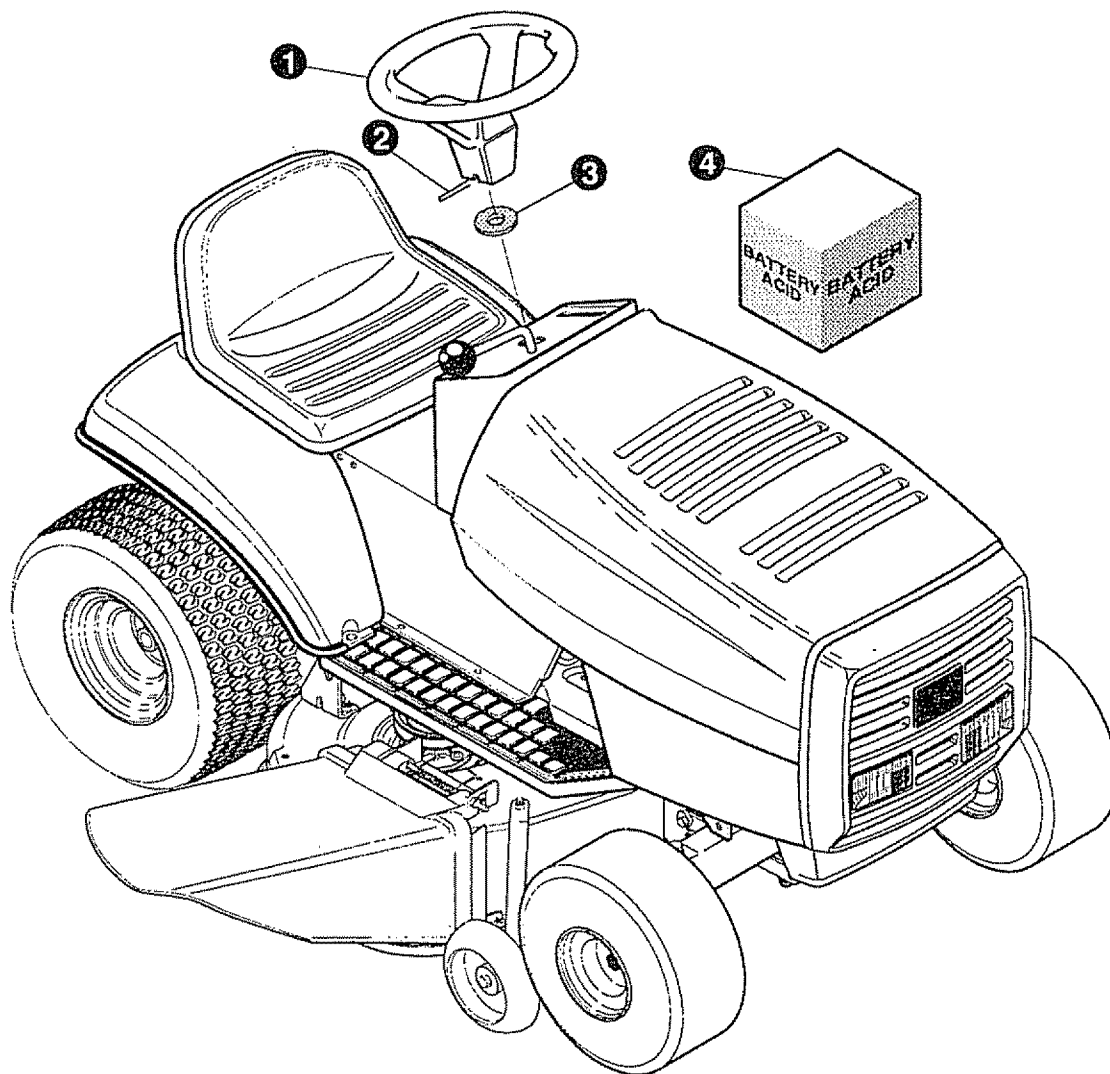
327962A

CRAFTSMAN 43" LAWN TRACTOR MODEL 536.255870

key#	part#	description	qty.
1	322896	DECAL. V-BELT SCHEMATIC MOWER	1
2	320864	DECAL. HOOD CRAFTSMAN RH	1
3	320865	DECAL, HOOD CRAFTSMAN LH	1
4	322898	DECAL, CUSTOMER RESPONSIBILITY	1
5	402156	DECAL. EMBLEM, CRAFTSMAN	1
6	322909	DECAL. REFLECTOR, MF GRILLE	2
7	328483	DECAL, DASH CRAFTSMAN	1
8	320866	DECAL. CONSOLE, 43/6SP RH	1
9	320867	DECAL, CONSOLE, 43/6SP LH	1
10.	322908	DECAL, CONSOLE CAUTION	1
11.	320868	DECAL. CRAFTSMAN WHITE	1
12.	311394	DECAL, SHIFT REV /NEUTRAL	1
13	314964	DECAL, SHIFTER POSITION P930-6	1
14.		REFERENCE ONLY	1
15	320869	DECAL. ALL WHEEL STEERING	1
16.	322897	DECAL, V-BELT SCHEMATIC. DRIVE	1
17.	322901	DECAL, CRAFTSMAN WHEEL	1
18.	324042	DECAL, BATTERY RATING	1
19	324043	DECAL, BATTERY REQD	1
20.	313039	DECAL. 4WS PATENT	1
21	402157	DECAL. 3'N' 1 MOWER DECK	1

CRAFTSMAN 43" LAWN TRACTOR MODEL 536.255870

CUSTOMER ASSEMBLY



CUSTOMER ASSEMBLY VIEW

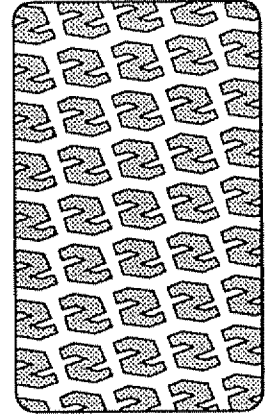
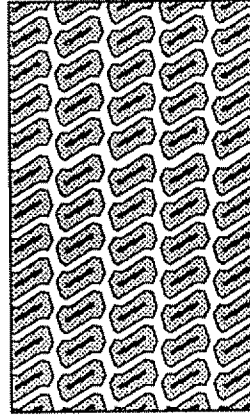
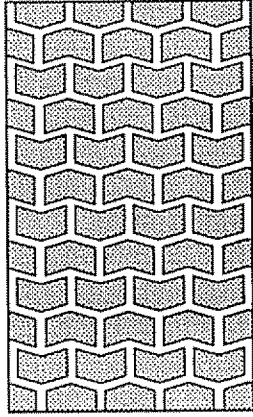
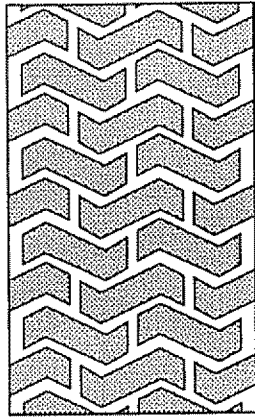
323357 PARTS BAG ASSY QTY1

key#	part#	decription	qty
1	306654	STEERING WHEEL	1
2	456378	PIN, SPRING .250DIA X 2.00LG	1
3	301413	SPACER, STEERING SHAFT	1
4	*	BATTERY ACID	1

* May Be Purchased Locally

323356A

TREAD PATTERNS



"A"

"B"

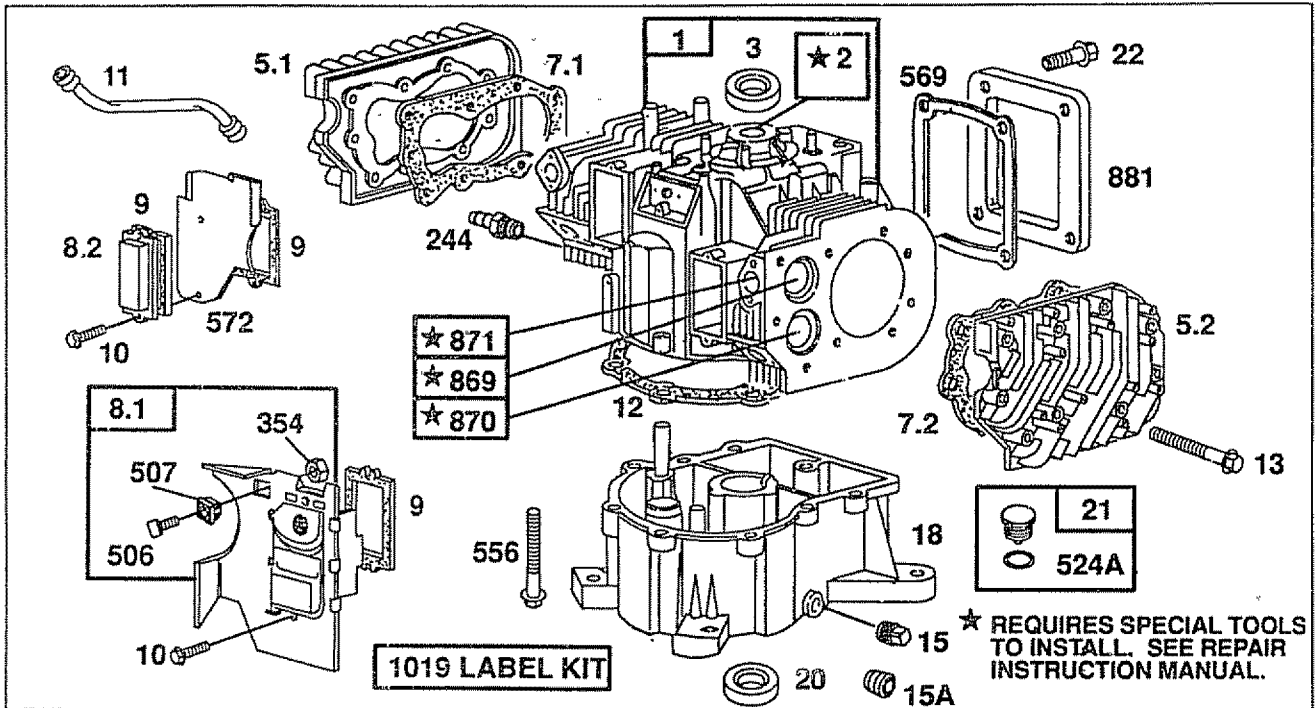
"C"

"D"

TIRE SIZE	"A"	"B"	"C"	"D"
11 X 4.00 - 5	42295	319679		
13 X 5.00 - 6	41060	319680		
15 X 6.00 - 6	39830	316702	301140	313952
16 X 6.50 - 8	41081	319682		314539
18 X 8.50 - 8	319683	317400		
18 X 9.50 - 8	41106	316701		313950
20 X 8.00 - 8	319685	319684	57164	314584
20 X 10.00 - 8	58276	319686		313654
20 X 10.00 - 10	55893	319687		
23 X 9.50 - 12	53655	319690	319689	314370

ENGINE REPAIR PARTS

ENGINE MODEL 402707-1235-01 FOR 43" TRACTOR MODEL 536.255870

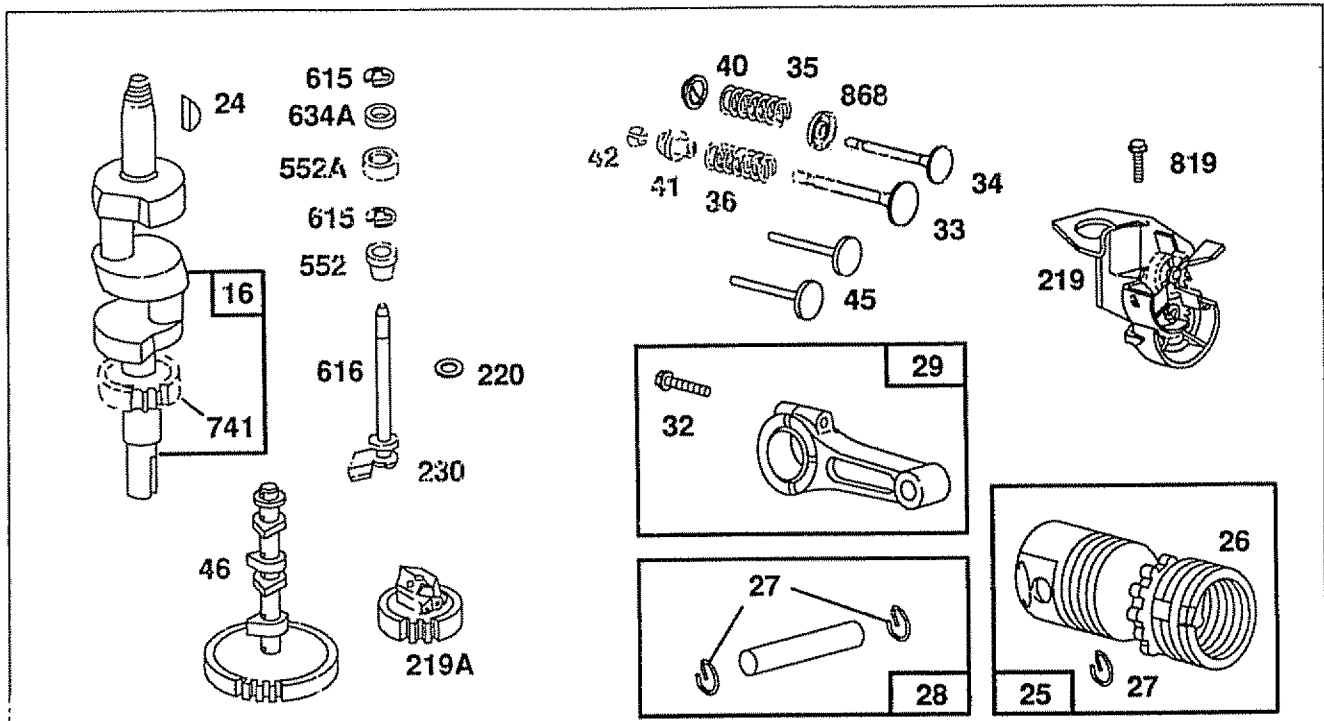


REF. NO.	PART NO.	DESCRIPTION	REF. NO.	PART NO.	DESCRIPTION	REF. NO.	PART NO.	DESCRIPTION
1	494533	Cylinder Assembly	12	★271703	Gasket-Crankcase Cover (1/64" Thick)	506	231174	Terminal
2	491756	Bearing-Cylinder				507	280180	Grommet-Insulator
3	★391086	Seal-Oil		★271188	Gasket-Crankcase Cover (.005" Thick)	524A	★271485	Seal-Plug
5.1	493457	Head-Cylinder #1				556	93585	Screw-Hex. Hd.
5.2	493458	Head-Cylinder #2		★271189	Gasket-Crankcase Cover (.009" Thick)	569	★270981	Gasket-Crankcase
7.1	★271867	Gasket-Cylinder Head #1	13	94565	Screw-Cylinder Head	572	224580	Baffle-Air (Cyl. #2)
7.2	★271868	Gasket-Cylinder Head #2	15	94239	Plug-Oil Drain	869	261463	Seat-Intake Valve (Standard)
8.1	398065	Breather Assembly #1	15A	94497	Plug-Pipe (1/8-27)	870	213316	Seat-Exhaust Valve (Standard)
8.2	222892	Cover-Breather Cylinder #2 (Used Only on Ref. 572 Air Baffle with Holes for Mounting)	18	493304	Base Assy.-Crankcase	871	261961	Guide-Exhaust Valve (Only)
9	★27803	Gasket-Valve Cover	20	★291675	Seal-Oil			Note: 231218 Guide-Intake (Brass)
10	94382	Screw-Sem	21	399195	Plug Assy.-Oil Fill			See Repair Manual
11	280225	Tube-Breather	22	93882	Screw-Crankcase Cover Mtg.	881	222860	Cover Plate-Crankcase
			244	230318	Connector-Impulse Pump	1019	491261	Label Kit
			354	90576	Nut-Hex.			

★ Included in Gasket Set-Part No. 491856.

Assemblies include all parts shown in frames.

ENGINE MODEL 402707-1235-01 FOR 43" TRACTOR MODEL 536.255870

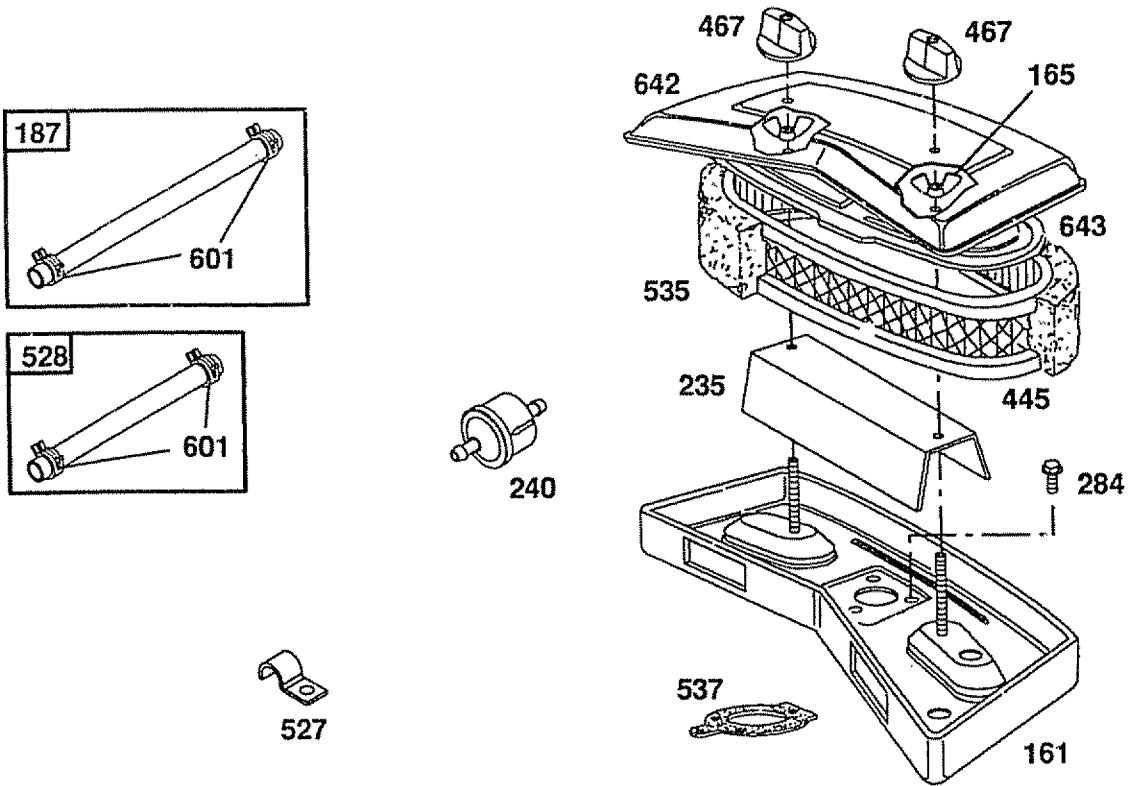


REF. NO.	PART NO.	DESCRIPTION	REF. NO.	PART NO.	DESCRIPTION	REF. NO.	PART NO.	DESCRIPTION
16	393382	Crankshaft	27	260924	Lock-Piston Pin	42	93630	Retainer-Exhaust Valve Rotocoil (2)
		Note: Order 94196 For Timing Gear Key.	28	299691	Pin Assy.-Piston (Standard)	45	261368	Tappet-Valve
24	222698	Key-Flywheel		391286	Pin Assembly-Piston (.005" O.S.)	46	213421	Gear-Cam
25	394955	Piston Assy. (Standard)	29	492667	Rod Assembly-Connecting	219	393415	Oil Slinger Assembly
	394956	Piston Assy. (.010" O.S.)			Note: For Connecting Rod With .020" Undersize Crankpin Bore-Order No. 397158.	219A	394348	Gear-Governor
	394957	Piston Assy. (.020" O.S.)				220	222773	Washer-Thrust
	394958	Piston Assy. (.030" O.S.)				230	223882	Washer-Gov. Crank (Inside)
PISTON RING SETS:			32	94671	Screw-Connecting Rod	552	262332	Lower Bushing-Gov.
26	394959	Ring Set-Piston (Standard)	33	390420	Valve-Exhaust	552A	262331	Upper Bushing-Gov.
	394960	Ring Set-Piston (.010" O.S.)	34	261528	Valve-Intake	615	94296	Retainer-E-Ring
	394961	Ring Set-Piston (.020" O.S.)	35	65906	Spring-Intake Valve	616	491530	Crank-Governor
	394962	Ring Set-Piston (.030" O.S.)	36	26828	Spring-Exhaust Valve	634A	★491287	Seal-Governor Shaft
			40	221596	Retainer-Intake Valve	741	262694	Gear-Timing
			41	292260	Rotocoil-Exhaust Valve	819	94675	Screw-Hex. Hd.
						868	393606	Seal Assy. & Retainer

* Included in Gasket Set-Part No. 491856.

Assemblies include all parts shown in frames.

ENGINE MODEL 402707-1235-01 FOR 43" TRACTOR MODEL 536.255870

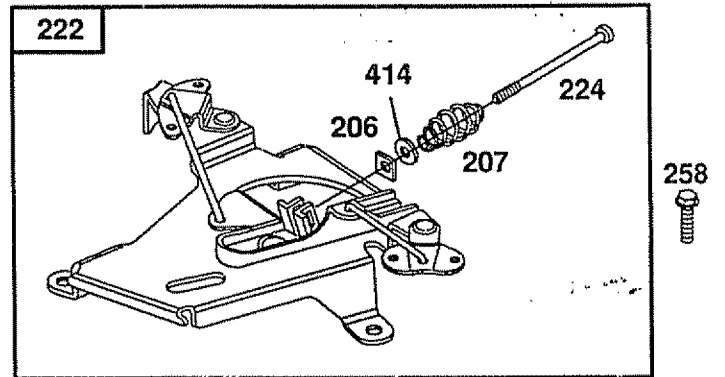
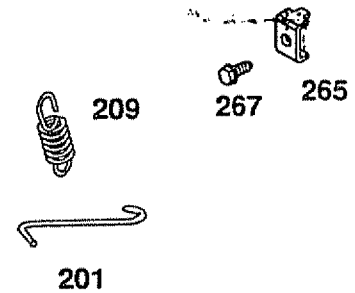
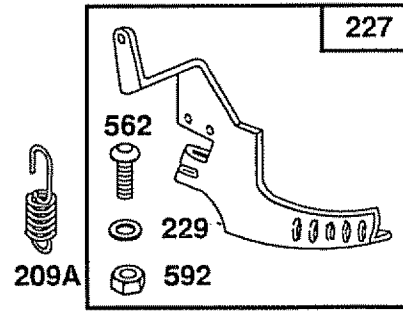
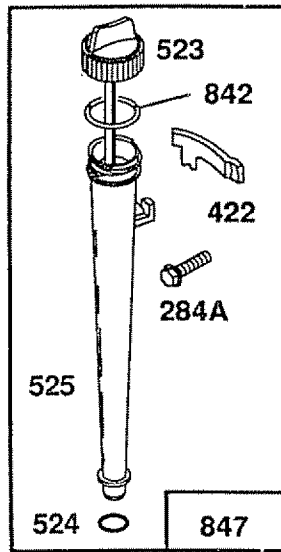


REF. NO.	PART NO.	DESCRIPTION	REF. NO.	PART NO.	DESCRIPTION	REF. NO.	PART NO.	DESCRIPTION
161	398826	Body-Air Cleaner	284	94264	Screw-Hex. Hd.	535	272490	Element-Air Cleaner
165	94289	Nut-Wing	445	394019	Cartridge-Air Cleaner	537	★271411	Gasket-Air Cleaner
187	299146	Line-Fuel (28" Long) (Cut to Required Length)	467	493903	Knob-Air Cleaner	601	93053	Clamp-Fuel Line
235	224039	Shield-Spitback	527	223167	Clamp-Fuel Pipe	642	223579	Cover-Air Cleaner
240	493629	Filter-Fuel	528	393815	Impulse Line and Clamp Assembly	643	223714	Cartridge Plate-Air Cleaner

- ★ Included in Gasket Set-Part No. 491856.
- Included in Carburetor Overhaul Kit-Part No. 491539.

Assemblies include all parts shown in frames.

ENGINE MODEL 402707-1235-01 FOR 43" TRACTOR MODEL 536.255870

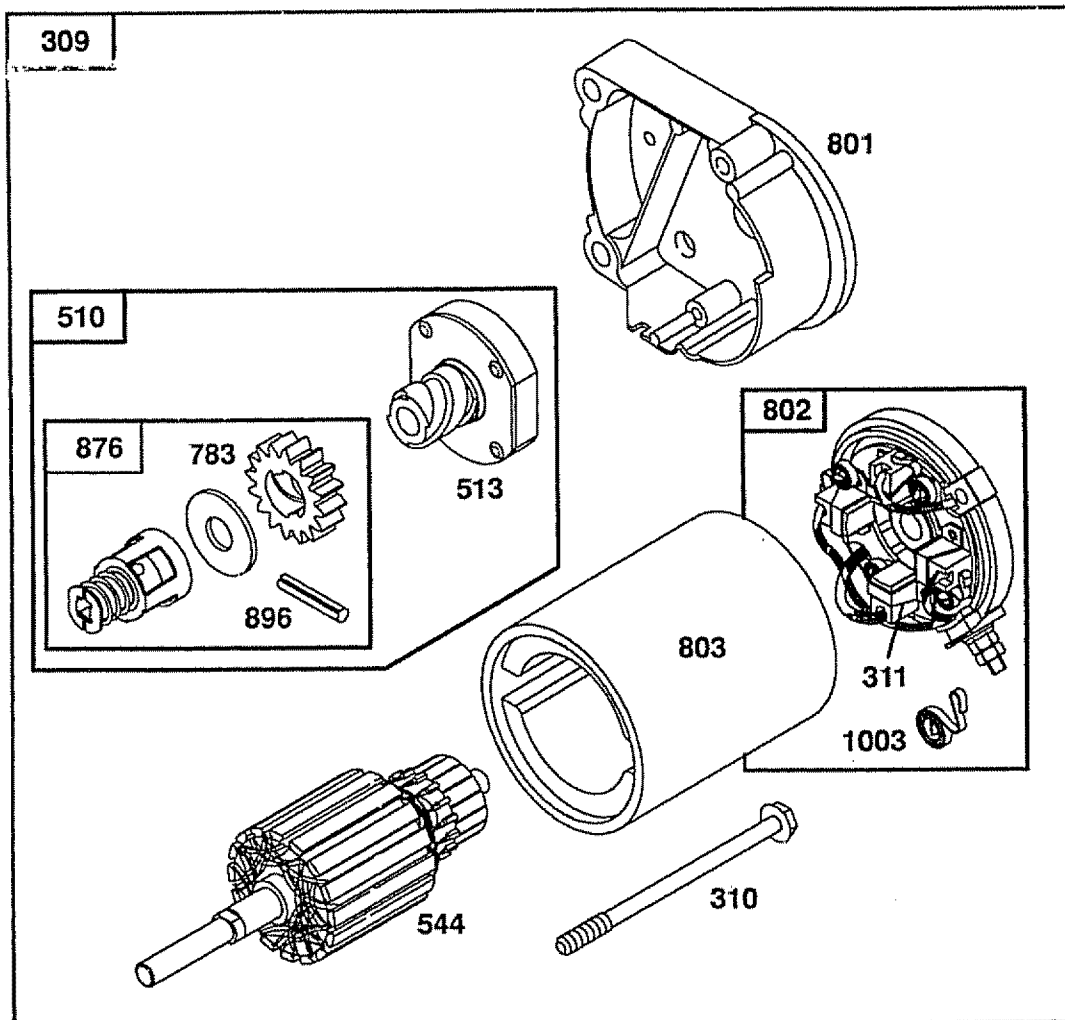


REF. NO.	PART NO.	DESCRIPTION	REF. NO.	PART NO.	DESCRIPTION	REF. NO.	PART NO.	DESCRIPTION
201	262683	Link-Governor	229	222289	Washer	524	*271157	Seal-Filler Tube
206	94298	Nut-Square	258	93949	Screw-Sem	525	495348	Tube-Oil Filler
207	262337	Spring-Compression	265	221535	Clamp-Casing	562	93853	Bolt-Gov. Lever
209	262441	Spring-Governor	267	93897	Screw-Hex. Hd.	592	92278	Nut-Hex.
209A	261563	Spring-Governor Idle	284A	93469	Screw-Hex. Hd.	842	*270920	Seal-Oil Filler Cap
222	491282	Plate Assembly-Governor Control	414	220680	Washer	847	495715	Dipstick and Tube Assembly.
224	94297	Screw-Pan Hd	422	222875	Clamp-Oil Filler			
227	491297	Lever Assy.-Governor	523	494947	Cap and Dipstick-Oil Filler			

* Included in Gasket Set-Part No. 491856.

Assemblies include all parts shown in frames.

ENGINE MODEL 402707-1235-01 FOR 43" TRACTOR MODEL 536.255870

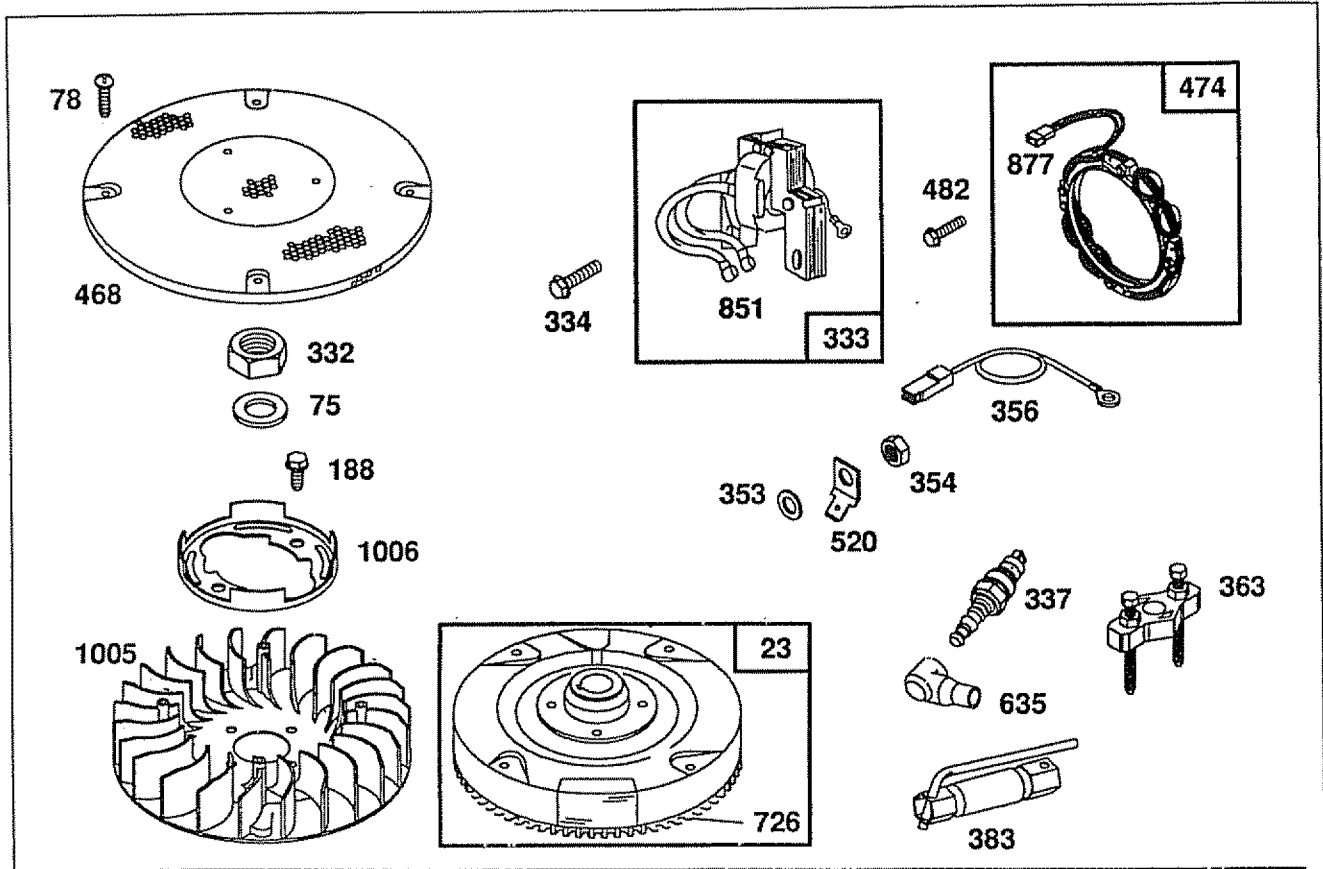


Reference Number	309	310	311	510	544	801	802	803	1003	
	Motor & Drive Assembly	Thru Bolt Assembly	Brush Assembly	Starter Drive Group	Armature Assembly	Drive End Cap Assembly	End Cap Assembly Commutator	Housing Assembly	Brush Spring	
Manufacturer										
Briggs & Stratton	Housing Length									
12V	4-1/2"	399928***	94169	490311	490421**	490309	394860	490310*	398892	490316

- * Includes Brush Set
- ** Includes #398003 Clutch Assembly (Ref. No. 513)
 #280104 Gear (Ref. No. 783)
 #490467 Retainer and Pin (Ref. No. 876)
 #94288 Roll Pin (Ref. No. 896)
- *** Uses #93585 Screw-Hex. Hd. (Ref. No. 653)

Assemblies include all parts shown in frames.

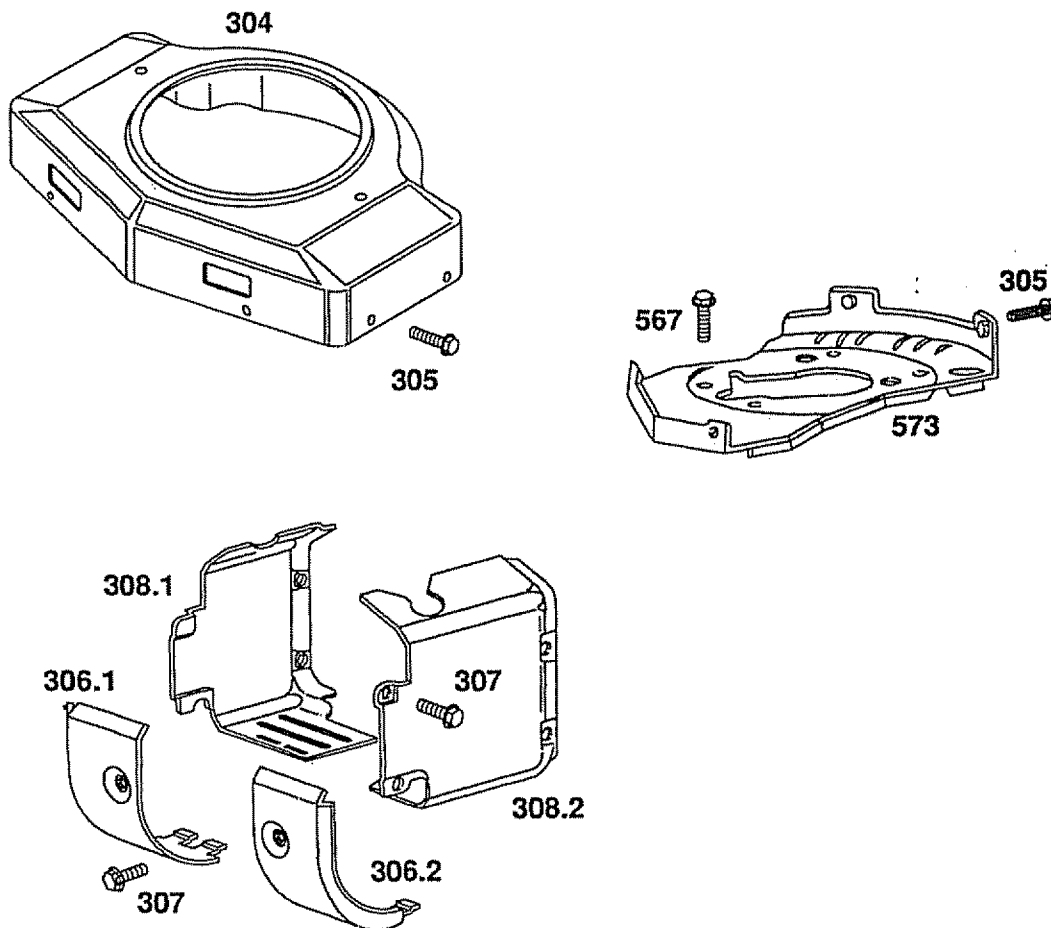
ENGINE MODEL 402707-1235-01 FOR 43" TRACTOR MODEL 536.255870



REF. NO.	PART NO.	DESCRIPTION	REF. NO.	PART NO.	DESCRIPTION	REF. NO.	PART NO.	DESCRIPTION
23	491180	Flywheel and Ring Gear Assy.-Magneto	353	92791	Washer-Lock	635	66538	Elbow-Spark Plug
75	222511	Washer-Spring	354	90576	Nut-Hex.	726	391362	Gear-Flywheel Ring (Includes Mounting Parts).
78	94326	Screw-Sem	356	398874	Wire-Ground	851	221798	Terminal-Ignition Cable
188	93535	Screw	363	19203	Puller-Flywheel	877	393456	Diode and Connector Assembly
332	230674	Nut-Hex.	383	89838	Wrench-Spark Plug	1005	280815	Fan-Flywheel
333	394891	Armature Group	468	224521	Screen-Flush Rotating (Dual Circuit)	1006	224413	Retainer-Fan
334	93381	Screw-Armature Mtg. Sem	474	393474	Stator-Alternator			
337	802592	Plug-Spark	482	93621	Screw-Sem			
			520	93722	Terminal Spade			

Assemblies include all parts shown in frames.

ENGINE MODEL 402707-1235-01 FOR 43" TRACTOR MODEL 536.255870

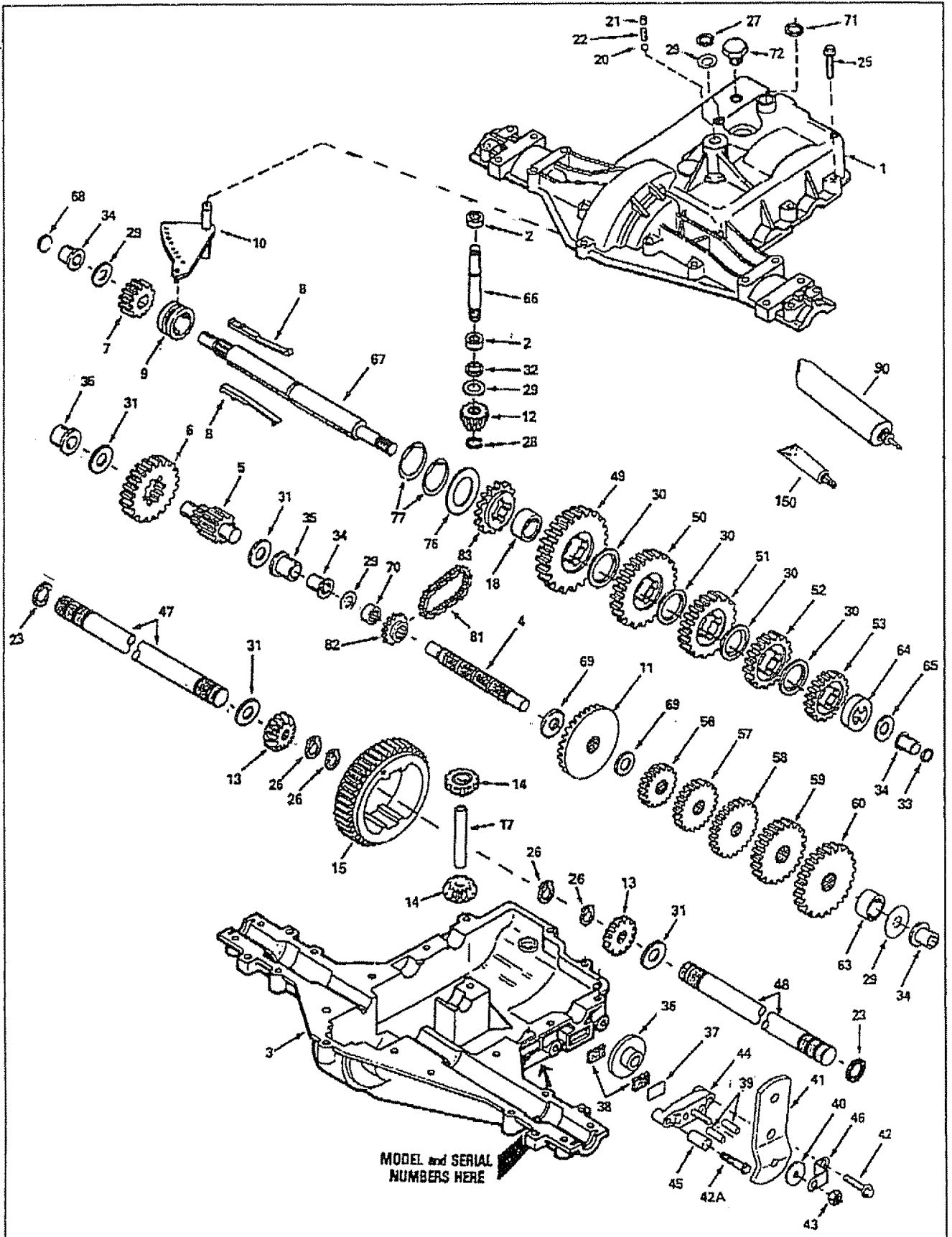


REF. NO.	PART NO.	DESCRIPTION	REF. NO.	PART NO.	DESCRIPTION	REF. NO.	PART NO.	DESCRIPTION
304	492656	Housing-Blower	307	94386	Screw	567	93777	Screw-Hex. Head (Back Plate to Cyl.)
305	93158	Screw-Sem	308.1	222848	Cover-Air Guide	573	491304	Back Plate Assy.
306.1	222846	Shield-Cylinder	308.2	222849	Cover-Air Guide			
306.2	223734	Shield-Cylinder						

Assemblies include all parts shown in frames.

TRANSAXLE REPAIR PARTS

PEERLESS TRANSAXLE MODEL 930-045 FOR 43" TRACTOR MODEL 536.255870



PEERLESS TRANSAXLE MODEL 930-045 FOR 43" TRACTOR MODEL 536.255870

Key No.	Part No.	Description	Key No.	Part No.	Description
1	772108A	Cover, Transaxle	43	792075	Nut, Lock, 5/16-24
2	780086	Bearing, Needle	44	790025	Holder, Brake pad
3	770102A	Case, Transaxle	45	786066	Spacer
4	776260	Shaft, Counter	46	786086	Brake Lever Bracket
5	776219A	Shaft & Pinion Assembly, Output	47	774951	Axle (8-15/16" long)
6	778139	Gear, Output	48	774952	Axle (13-17/32" long)
7	778136	Gear, Spur (15 teeth)	49	778183	Gear, Spur (35 teeth)
8	792136	Key	50	778124A	Gear, Spur (30 teeth)
9	784352	Collar, Shifter	51	778250	Gear, Spur (27 teeth)
10	784355	Rod & Fork Assembly, Shift	52	778123A	Gear, Spur (25 teeth)
11	778229	Gear, Bevel (42 teeth)	53	778121A	Gear, Spur (20 teeth)
12	778113A	Bevel Pinion, Input	56	778193	Gear, Spur (15 teeth steel)
13	778221	Gear, Bevel (16 Teeth)	57	778126A	Gear, Spur (20 teeth)
14	778068	Gear, Bevel Pinion	58	778249	Gear, Spur (23 teeth)
15	778260	Gear, Ring	59	778127A	Gear, Spur (25 teeth)
17	786139	Pin, Drive	60	778129A	Gear, Spur (30 teeth)
18	786102	Spacer	63	786071	Countershaft Spacer
20	792077	Ball, Steel (5/16" Dia.)	64	786072	Output Shaft Spacer
21	792078	Set Screw, 3/8-16 x 3/8	65	780109	Washer
22	792079	Spring	66	776135	Input Shaft
23	788061	Ring, Seal	67	776315A	Shifter & Brake Shaft
25	792073	Screw, Flanged Hex Hd, Thread forming, 1/4-20 x 1-1/4	68	786116	Disk
26	792125	Ring, Retainer (Pkg. of 2)	69	780051	Washer
27	792035	Ring, Retainer	70	786118	Spacer
28	788040	Ring, Retainer	71	788069	Square Cut Ring
29	780072	Washer, Thrust	72	792074	Threaded Plug
30	780108	Washer, Thrust	76	780090	Washer
31	780001	Washer	77	788078A	Inverted Retaining Ring (pkg. of 2)
32	792001	"O" Ring	81	786062A	Roller Chain (No. 41 chain, 22 links)
33	788051	Seal, Square cut	82	786061	Sprocket (10 teeth)
34	780105A	Bushing, Flanged	83	786124	Reverse Sprocket (14 teeth)
35	780118A	Bushing, Flanged	90	788067B	Grease (32 oz. btl. Bentonite grease)
36	790003	Disk, Brake	150	510334	Gasket Eliminator (Loctite #515)
37	790007	Plate, Brake pad			
38	79021	Pad, Brake (Pkg. of 2)			
39	786026	Pin, Dowel			
40	792076A	Washer, Flat			
41	790023A	Lever, Brake			
42	792085	Screw, Flanged Hex Hd, Thread forming, 1/4-20 x 2-1/4			

* THIS TRANSAXLE'S CAPACITY IS 24 OZ.

SEARS

OWNER'S MANUAL

**MODEL NO.
536.255870**

**HOW TO ORDER
REPAIR PARTS**

CRAFTSMAN®

15.0 HP TWIN CYLINDER ALL-WHEEL STEER 43" MOWER DECK 6-SPEED TRANSAXLE LAWN TRACTOR

Each tractor has its own model number. Each engine has its own model number.

The Model Number for your tractor will be found on the model plate located under the seat.

The model number for your engine will be found on the blower housing of the engine.

All parts may be ordered through Sears, Roebuck and Company Service Centers and most Retail Stores.

WHEN ORDERING REPAIR PARTS, ALWAYS GIVE THE FOLLOWING INFORMATION:

- **PRODUCT - LAWN TRACTOR**
- **MODEL NUMBER - 536.255870**
- **ENGINE MODEL NUMBER - 402707-1235-01**
- **PART NUMBER**
- **PART DESCRIPTION**

Your Sears merchandise has added value when you consider Sears has service units nationwide staffed with Sears trained technicians... professional technicians specifically trained to insure that we meet our pledge to you, we service what we sell.

SEARS, ROEBUCK AND CO., D/817WA, HOFFMAN ESTATES, IL 60179

Free Manuals Download Website

<http://myh66.com>

<http://usermanuals.us>

<http://www.somanuals.com>

<http://www.4manuals.cc>

<http://www.manual-lib.com>

<http://www.404manual.com>

<http://www.luxmanual.com>

<http://aubethermostatmanual.com>

Golf course search by state

<http://golfingnear.com>

Email search by domain

<http://emailbydomain.com>

Auto manuals search

<http://auto.somanuals.com>

TV manuals search

<http://tv.somanuals.com>