

SEARS

**OWNER'S
MANUAL**

**MODEL NO.
917.255590**

Caution:
Read and follow
all Safety Rules
and Instructions
Before Operating
This Equipment



CRAFTSMAN[®]

**12.5 HP IC
ELECTRIC START
38" MOWER DECK
AUTOMATIC (HYDROSTATIC)
DRIVE
LAWN TRACTOR**

- Assembly
- Operation
- Customer Responsibilities
- Service and Adjustment
- Repair Parts

Sears, Roebuck and Co., Chicago, IL 60684 U.S.A.



SAFETY RULES

Safe Operation Practices for Ride-On Mowers



IMPORTANT: THIS CUTTING MACHINE IS CAPABLE OF AMPUTATING HANDS AND FEET AND THROWING OBJECTS. FAILURE TO OBSERVE THE FOLLOWING SAFETY INSTRUCTIONS COULD RESULT IN SERIOUS INJURY OR DEATH.

I. GENERAL OPERATION

- Read, understand, and follow all instructions in the manual and on the machine before starting.
- Only allow responsible adults, who are familiar with the instructions, to operate the machine.
- Clear the area of objects such as rocks, toys, wire, etc., which could be picked up and thrown by the blade.
- Be sure the area is clear of other people before mowing. Stop machine if anyone enters the area.
- Never carry passengers.
- Do not mow in reverse unless absolutely necessary. Always look down and behind before and while backing.
- Be aware of the mower discharge direction and do not point it at anyone. Do not operate the mower without either the entire grass catcher or the guard in place.
- Slow down before turning.
- Never leave a running machine unattended. Always turn off blades, set parking brake, stop engine, and remove keys before dismounting.
- Turn off blades when not mowing.
- Stop engine before removing grass catcher or unclogging chute.
- Mow only in daylight or good artificial light.
- Do not operate the machine while under the influence of alcohol or drugs.
- Watch for traffic when operating near or crossing roadways.
- Use extra care when loading or unloading the machine into a trailer or truck.

II. SLOPE OPERATION

Slopes are a major factor related to loss-of-control and tipover accidents, which can result in severe injury or death. All slopes require extra caution. If you cannot back up the slope or if you feel uneasy on it, do not mow it.

DO:

- Mow up and down slopes, not across.
- Remove obstacles such as rocks, tree limbs, etc.
- Watch for holes, ruts, or bumps. Uneven terrain could overturn the machine. *Tall grass can hide obstacles.*
- Use slow speed. Choose a low gear so that you will not have to stop or shift while on the slope.
- Follow the manufacturer's recommendations for wheel weights or counterweights to improve stability.
- Use extra care with grass catchers or other attachments. These can change the stability of the machine.
- Keep all movement on the slopes *slow* and *gradual*. Do not make sudden changes in speed or direction.
- Avoid starting or stopping on a slope. If tires lose traction, disengage the blades and proceed slowly *straight* down the slope.

DO NOT:

- *Do not* turn on slopes unless necessary, and then, turn slowly and gradually downhill, if possible.
- *Do not* mow near drop-offs, ditches, or embankments. The mower could suddenly turn over if a wheel is over the edge of a cliff or ditch, or if an edge caves in.
- *Do not* mow on wet grass. Reduced traction could cause sliding.
- *Do not* try to stabilize the machine by putting your foot on the ground.
- *Do not* use grass catcher on steep slopes.

III. CHILDREN

Tragic accidents can occur if the operator is not alert to the presence of children. Children are often attracted to the machine and the mowing activity. *Never* assume that children will remain where you last saw them.

- Keep children out of the mowing area and under the watchful care of another responsible adult.
- Be alert and turn machine off if children enter the area.
- Before and when backing, look behind and *down* for small children.
- Never carry children. They may fall off and be seriously injured or interfere with the safe machine operation.
- Never allow children to operate the machine.
- Use extra care when approaching blind corners, shrubs, trees, or other objects that may obscure vision.

IV. SERVICE

- Use extra care in handling gasoline and other fuels. They are flammable and vapors are explosive.
 - Use only an approved container.
 - Never remove gas cap or add fuel with the engine running. Allow engine to cool before refueling. Do not smoke.
 - Never refuel the machine indoors.
 - Never store the machine or fuel container inside where there is an open flame, such as a water heater.
- Never run a machine inside a closed area.
- Keep nuts and bolts, especially blade attachment bolts, tight and keep equipment in good condition.
- Never tamper with safety devices. Check their proper operation regularly.
- Keep machine free of grass, leaves, or other debris build-up. Clean oil or fuel spillage. Allow machine to cool before storing.
- Stop and inspect the equipment if you strike an object. Repair, if necessary, before restarting.
- Never make adjustments or repairs with the engine running.
- Grass catcher components are subject to wear, damage, and deterioration, which could expose moving parts or allow objects to be thrown. Frequently check components and replace with manufacturer's recommended parts, when necessary.
- Mower blades are sharp and can cut. Wrap the blade(s) or wear gloves, and use extra caution when servicing them.
- Check brake operation frequently. Adjust and service as required.



Look for this symbol to point out important safety precautions. It means CAUTION!!! BECOME ALERT!!! YOUR SAFETY IS INVOLVED.



CAUTION: Always disconnect spark plug wire and place wire where it cannot contact spark plug in order to prevent accidental starting when setting up, transporting, adjusting or making repairs.

CONGRATULATIONS on your purchase of a Sears Tractor. It has been designed, engineered and manufactured to give you the best possible dependability and performance.

Should you experience any problem you cannot easily remedy, please contact your nearest Sears Service Center/Department. We have competent, well-trained technicians and the proper tools to service or repair this unit.

Please read and retain this manual. The instructions will enable you to assemble and maintain your unit properly. Always observe the "SAFETY RULES".

MODEL NUMBER	917.255590
SERIAL NUMBER	_____
DATE OF PURCHASE	_____

THE MODEL AND SERIAL NUMBERS WILL BE FOUND ON A PLATE UNDER THE SEAT.

YOU SHOULD RECORD BOTH SERIAL NUMBER AND DATE OF PURCHASE AND KEEP IN A SAFE PLACE FOR FUTURE REFERENCE.

MAINTENANCE AGREEMENT

A Sears Maintenance Agreement is available on this product. Contact your nearest Sears store for details.

CUSTOMER RESPONSIBILITIES

- Read and observe the safety rules.
- Follow a regular schedule in maintaining, caring for and using your unit.
- Follow the instructions under "Customer Responsibilities" and "Storage" sections of this owner's manual.

PRODUCT SPECIFICATIONS

HORSEPOWER:	12.5
GASOLINE CAPACITY:	5 QUARTS UNLEADED REGULAR
OIL (3.0 PINTS):	SAE 30 (or 10W-30) WINTER: SAE 5W-30
SPARK PLUG (GAP .030 IN.):	CHAMPION RJ-19LM STD361458
VALVE CLEARANCE:	INTAKE .005 - .007 IN. EXHAUST .009 - .011 IN.
GROUND SPEED:	FORWARD: 0-5.5 MPH REVERSE: 0-2.2 MPH
TIRE PRESSURE:	FRONT: 14 PSI REAR: 10 PSI
CHARGING SYSTEM:	3 AMPS BATTERY 5 AMPS HEADLIGHTS
BLADE BOLT TORQUE:	30-35 FT. LBS.

WARNING: This unit is equipped with an internal combustion engine and should not be used on or near any unimproved forest-covered, brush-covered or grass-covered land unless the engine's exhaust system is equipped with a spark arrester meeting applicable local or state laws (if any). If a spark arrester is used, it should be maintained in effective working order by the operator.

In the state of California the above is required by law (Section 4442 of the California Public Resources Code). Other states may have similar laws. Federal laws apply on federal lands. A spark arrester for the muffler is available through your nearest Sears Authorized Service Center (See REPAIR PARTS section of this manual).

LIMITED TWO YEAR WARRANTY ON ELECTRIC START RIDING EQUIPMENT

For two (2) years from the date of purchase, if this riding equipment is maintained, lubricated and tuned up according to the instructions in the owner's manual, Sears will repair or replace, free of charge, any parts found to be defective in material or workmanship.

This Warranty does not cover:

- Expendable items which become worn during normal use, such as blades, spark plugs, air cleaners and belts.
- Tire replacement or repair caused by punctures from outside objects, such as nails, thorns, stumps, or glass.
- Repairs necessary because of operator abuse, negligence, improper storage or accident or the failure to maintain the equipment according to the instructions contained in the owner's manual.
- Riding equipment used for commercial or rental purposes.

LIMITED 90 DAY WARRANTY ON BATTERY

For 90 days from date of purchase, if any battery included with this riding equipment proves defective in material or workmanship and our testing determines the battery will not hold a charge, Sears will replace the battery at no charge.

WARRANTY SERVICE IS AVAILABLE BY RETURNING THE RIDING EQUIPMENT TO THE NEAREST SEARS SERVICE CENTER/DEPARTMENT IN THE UNITED STATES.



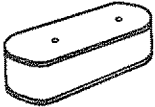



This Warranty gives you specific legal rights, and you may also have other rights which may vary from state to state.

SEARS, ROEBUCK AND CO., D/731CR-W, SEARS TOWER, CHICAGO, ILLINOIS 60684



ACCESSORIES AND ATTACHMENTS

These accessories and attachments were available when the unit was purchased. They are also available at most Sears retail outlets, catalog and service centers. Most Sears stores can order these items for you when you provide the model number of your tractor.

ENGINE

SPARK PLUG	MUFFLER	AIR FILTER	GAS CAN	ENGINE OIL	STABILIZER
					

MAINTENANCE

BLADES	BELTS
	

PERFORMANCE

Sears offers a wide variety of attachments that fit your vehicle. Many of these are listed below with brief explanations of how they can help you. This list was current at the time of publication; however, it may change in future years - more attachments may be added, changes may be made in these attachments, or some may no longer be available or fit your model. **Contact your nearest Sears store for the accessories and attachments that are available for your unit.**

Most of these attachments do not require additional hitches or conversion kits (those that do are indicated) and are designed for easy attaching and detaching.

PERMANEX BAGGER lets you collect grass clippings and leaves for a healthier, neater looking lawn. Two Permanex containers hold 30-gallon plastic bags.

LAWN SWEEPERS let you collect grass clippings and leaves.

LAWN VACS for powerful collection of heavy grass clippings and leaves. Wand attachment to pick up debris in hard-to-reach places.

CARTS make hauling easy. Variety of sizes available.

ROLLER for smoother lawn surface. 36-inch wide, 18-inch diameter water-tight drum holds up to 390 lbs. of weight. Rounded edges prevent harm to turf. Adjustable scraper automatically cleans drum.

SPREADER/SEEDERS make seeding, fertilizing, and weed killing easy. Broadcast spreaders are also useful for granular de-icers and sand.

CORING AERATOR takes small plugs out of soil to allow moisture and nutrients to reach grass roots. 36-inch swath. 24 hardened steel coring tips. 150 lb. capacity weight tray.

AERATOR promotes deep root growth for a healthy lawn. Tapered 2.5-inch steel spikes mounted on 10-inch diameter discs puncture holes in soil at close intervals to let moisture soak in. Steel weight tray for increased penetration.

MULCH RAKE/DETHATCHER loosens soil and flips thatch and matted leaves to lawn surface for easy pickup. Twenty spring tine teeth. Useful to prepare bare areas for seeding. Available for front or rear mounting.

SPRAYERS use 12-volt DC electric motor that connects to the tractor battery or other 12-volt source. Includes booms for automatic spraying when pulling, and hand held wand for spot spraying. Wand has adjustable spray pattern. For applying herbicides, insecticides, fungicides, and liquid fertilizers.

SNOW BLADE for snow removal only. 14-inch high, 42-inch wide blade clears 38-inch path when angled left or right. Raises, lowers with side lever. Adjustable skids; replaceable, reversible scraper bar. (Use with tire chains, wheel weights, or rear drawbar weight.)

SNOWTHROWER has 40-inch swath. Drum-type auger handles powdery and wet/heavy snow. Mounts easily with simple pin arrangement. Discharge chute adjusts from tractor seat. 6-inch diameter spout discharges snow 10 to 50 feet. Lift controlled at tractor seat. (Use with chains, wheel weights, or rear drawbar weight.)

TIRE CHAINS are heavy duty; closely spaced extra-large cross links give smooth ride, outstanding traction.

WHEEL WEIGHTS for rear wheels provide needed traction for snow removal or dozing heavy materials. In pairs. (30 lbs. each.)

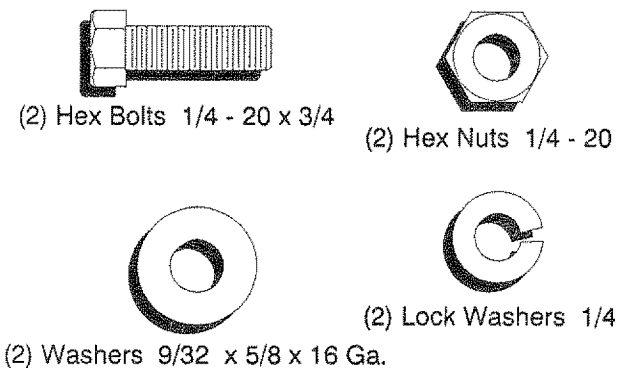
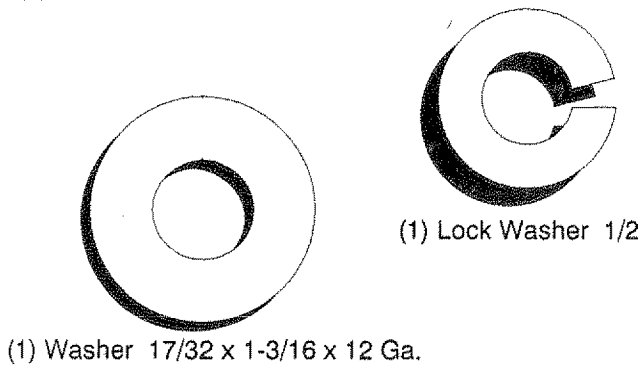
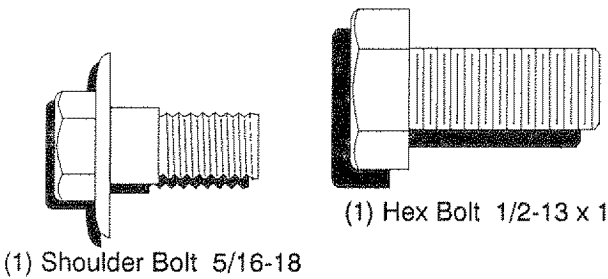
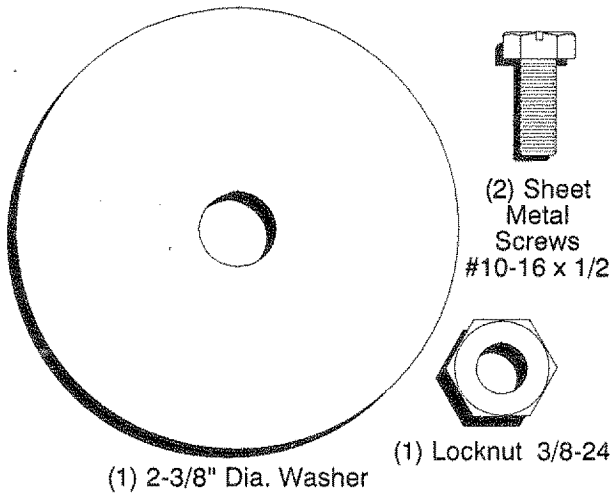
TRACTOR CAB has heavy duty vinyl fabric over tubular steel frame, ABS plastic top; clear plastic windshield offers 360 degree visibility. Hinged metal doors with catch. Keeps operator warm and dry. Remove vinyl and windshields for use as sun protector in summer. (Catalog only.)

Optional accessories for tractor cab: tinted/tempered solid safety glass windshield with hand operated wiper; 12-volt amber caution light for mounting on cab top. (Catalog only.)

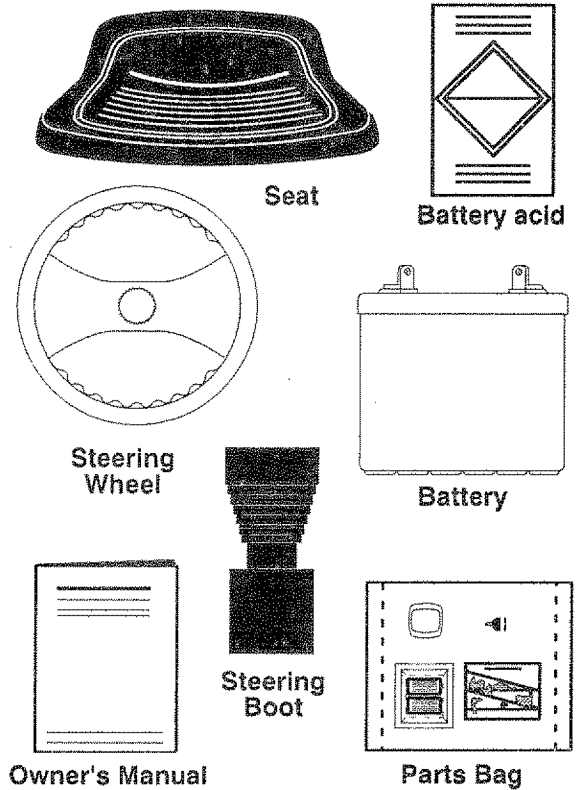
TRACTOR COVER protects tractor from weather. Made of Evolution 3 fabric (water-repellent, extremely breathable, light weight, soft, non-abrasive, pliable in all temperatures, durable, stain/tear/puncture resistant, will not shrink or stretch.) (Catalog only.)

CONTENTS OF HARDWARE PACK

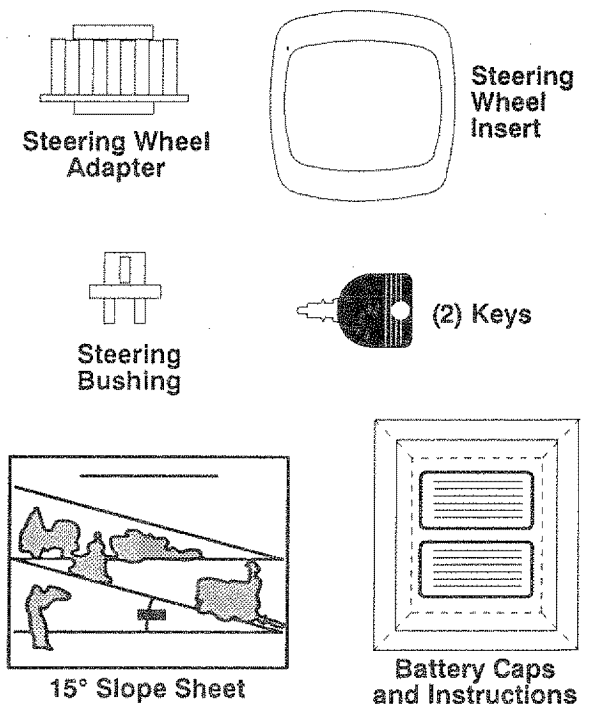
Parts Bag contents shown full size



Parts packed separately in carton



Parts bag contents not shown full size



ASSEMBLY

TOOLS REQUIRED FOR ASSEMBLY

A socket wrench set will make assembly easier. Standard wrench sizes are listed.

- | | |
|--------------------|---------------------|
| (1) 5/16" wrench | (1) 9/16" wrench |
| (2) 7/16" wrenches | Tire pressure gauge |
| (1) 1/2" wrench | Screwdriver |
- Utility knife

When right and left hand is mentioned in this manual, it means when you are in the operating position (seated behind the steering wheel).

TO REMOVE UNIT FROM CARTON

UNPACK CARTON

- Remove all accessible loose parts and parts cartons from carton (See page 6).
- Cut along dotted lines on carton, from top to bottom, all four corners of carton and lay panels flat.
- Check for any additional loose parts or cartons and remove.

BEFORE ROLLING UNIT OFF SKID

ATTACH STEERING WHEEL (See Fig. 1)

- Slide the steering bushing over the steering shaft.
- Raise steering shaft forward until screw holes in dash line up with steering bushing. Install two (2) sheet metal screws and tighten securely.
- Position steering boot over steering shaft.
- Place tabs of steering boot over slots in dash and push down to secure.
- Slide steering wheel adapter onto upper steering shaft.
- Position front wheels of the tractor so they are pointing straight forward.
- Position steering wheel so cross bars are horizontal (left to right) and slide onto adapter.
- Assemble large flat washer and 3/8-24 hex locknut and tighten securely.
- Snap insert into center of steering wheel.
- Remove protective plastic from tractor hood and grill.

IMPORTANT: CHECK FOR AND REMOVE ANY STAPLES IN SKID THAT MAY PUNCTURE TIRES WHERE UNIT IS TO ROLL OFF SKID.

(See Fig. 6)

- Raise attachment lift lever to its highest position.
- Release parking brake by depressing clutch/brake pedal.
- Pull freewheel knob up to disengage transmission.
- Roll unit backwards off skid.
- Remove banding holding discharge guard up against tractor.

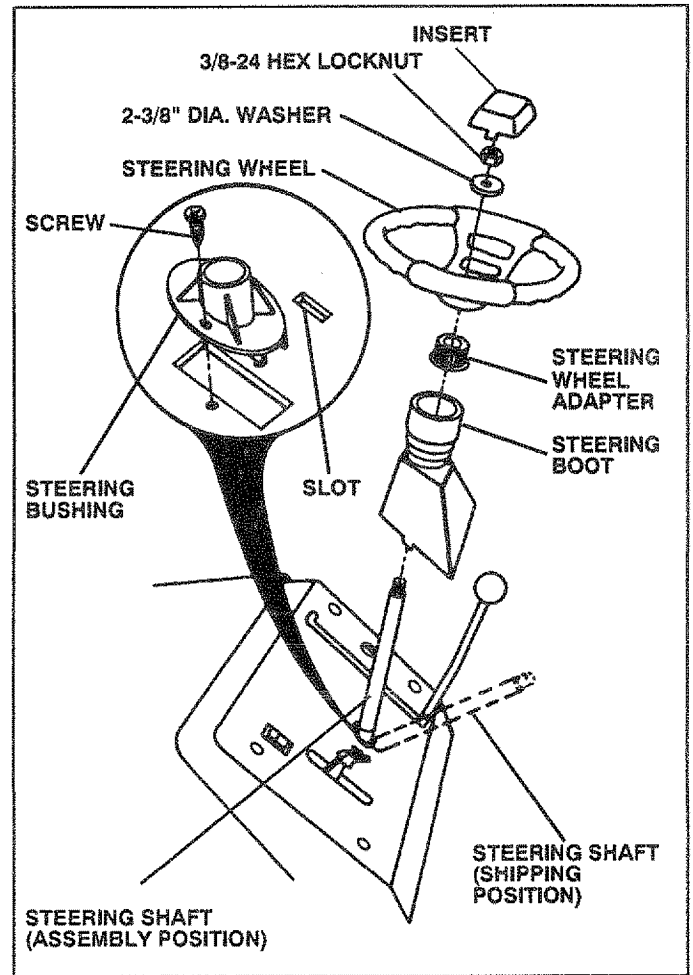


FIG. 1

ASSEMBLY

HOW TO SET UP YOUR TRACTOR

PREPARE BATTERY (See Fig. 2)

CAUTION: Wear eye and face shield.

Wash hands or clothing immediately if accidentally in contact with battery acid.

Do not smoke. Fumes from charged battery acid are explosive.

Read the instructions included with the battery vent caps. Always wear gloves, clothing and goggles to protect your hands, skin and eyes.



Your unit has a battery charging system which is sufficient for normal use. However, periodic charging of the battery with an automotive charger will extend its life.

- See instructions packed with vent caps in parts bag.
- Fill battery with acid. Fill each cell until it reaches the bottom of the vent wells. Do not overfill.
- Allow battery to stand and settle for at least thirty minutes. After standing, check the level of acid. If below the vent wells, add more acid until the correct level is reached.

While battery is standing (after adding acid) and later, while battery is being charged, continue with assembly of unit.

IMPORTANT: TO MAXIMIZE THE LIFE OF YOUR BATTERY, IT IS NECESSARY THAT THE BATTERY BE CHARGED BEFORE USE. FAILURE TO CHARGE BATTERY CAN RESULT IN A SHORTENED BATTERY LIFE.

- Charge battery at a rate of 6 amperes for 1 hour. Use a 12 volt battery charger. Observe all safety precautions required for battery charging.
- Check the acid level after the battery is charged. If the acid has fallen below the correct level, add distilled or iron free water.
- Install the vent caps to cover the vent wells. Wash the top of the battery with water to remove any acid, then wipe dry.
- Check battery case for leakage to make sure that no damage has occurred in handling.
- Dispose of excess battery acid. Neutralize acid for disposal by adding it to four inches of water in a five gallon plastic container. Stir with a wooden or plastic paddle while adding baking soda until the addition of more soda causes no more foaming.
- Follow instructions on how to install battery.

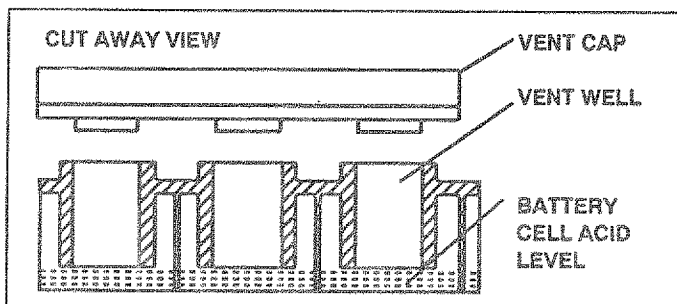


FIG. 2

INSTALL SEAT (See Fig. 3)

Adjust seat before tightening adjustment bolt.

- Remove cardboard packing on seat pan.
- Place seat on pan and assemble shoulder bolt.
- Assemble adjustment bolt, lock washer and flat washer loosely. Do not tighten.
- Tighten shoulder bolt securely.
- Lower seat into operating position and sit on seat.
- Slide seat until a comfortable position is reached which allows you to press clutch/brake pedal all the way down (See Fig. 6).
- Get off seat without moving its adjusted position.
- Raise seat and tighten adjustment bolt securely.

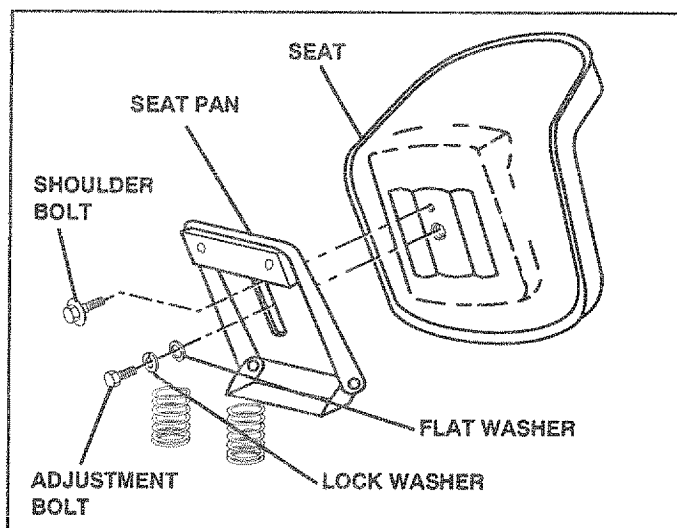


FIG. 3

CHECK TIRE PRESSURE

The tires on your unit were overinflated at the factory for shipping purposes. Correct tire pressure is important for best cutting performance.

- Reduce tire pressure to PSI shown in "PRODUCT SPECIFICATIONS" on page 3 of this manual.

CHECK DECK LEVELNESS

For best cutting results, mower housing should be properly leveled. See "TO LEVEL MOWER HOUSING" in the Service and Adjustments section of this manual.

CHECK FOR PROPER POSITION OF ALL BELTS

See the figures that are shown for replacing motion and mower blade drive belts in the Service and Adjustments section of this manual. Verify that the belts are routed correctly.

CHECK BRAKE SYSTEM

After you learn how to operate your tractor, check to see that the brake is properly adjusted. See "TO ADJUST BRAKE" in the Service and Adjustments section of this manual.

ASSEMBLY

INSTALL BATTERY (See Figs. 4 & 5)



CAUTION: Do not short battery terminals. Before installing battery, remove metal bracelets, wristwatch bands, rings, etc.

Positive terminal must be connected first to prevent sparking from accidental grounding.

- Lift seat to raised position.
- Open battery box door.
- Lower battery into battery box with battery terminals toward front of unit.
- Be sure battery drain tube is attached to battery box.
- First connect RED battery cable to positive (+) battery terminal with hex bolt, flat washer, lock washer and hex nut as shown. Tighten securely.
- Connect BLACK grounding cable to negative (-) battery terminal with remaining hex bolt, flat washer, lock washer and hex nut. Tighten securely.
- Close battery box door.

Open battery box door for:

- Inspection for secure connections (to tighten hardware).
- Inspection for corrosion.
- Testing battery.
- Jumping (if required).
- Periodic charging .

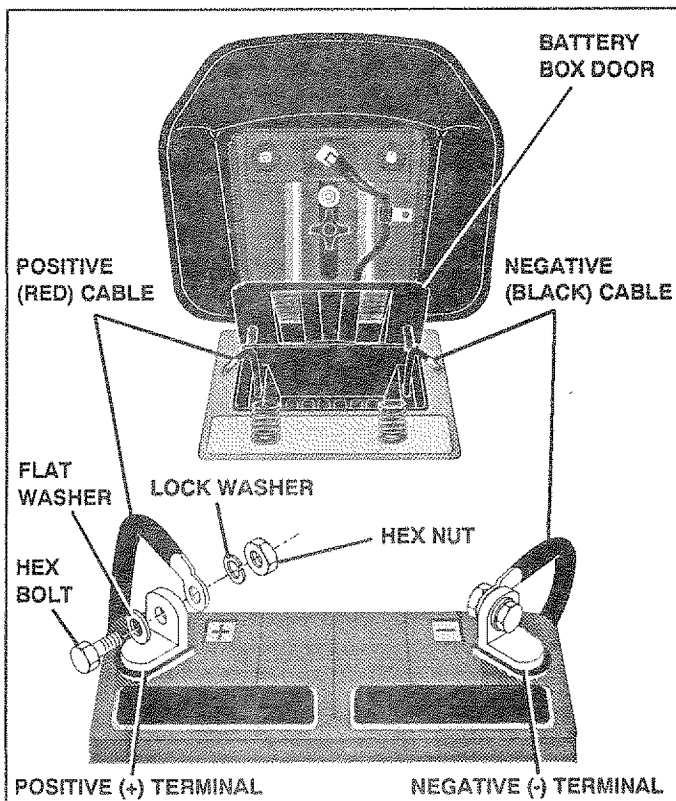


FIG. 4

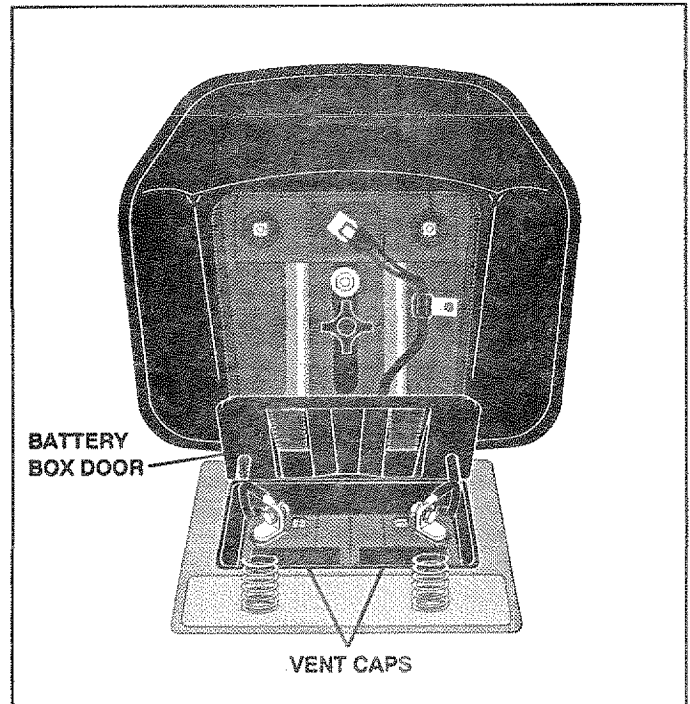


FIG. 5

✓ CHECKLIST

BEFORE YOU OPERATE AND ENJOY YOUR NEW TRACTOR, WE WISH TO ASSURE THAT YOU RECEIVE THE BEST PERFORMANCE AND SATISFACTION FROM THIS QUALITY PRODUCT.

PLEASE REVIEW THE FOLLOWING CHECKLIST:

- ✓ All assembly instructions have been completed.
- ✓ No remaining loose parts in carton.
- ✓ Battery is properly prepared and charged. (Minimum 1 hour at 6 amps).
- ✓ Seat is adjusted comfortably and tightened securely.
- ✓ All tires are properly inflated. (For shipping purposes, the tires were over-inflated at the factory).
- ✓ Be sure mower deck is properly leveled side-to-side/front-to-rear for best cutting results. (Tires must be properly inflated for leveling).
- ✓ Check mower and drive belts. Be sure they are routed properly around pulleys and inside all belt keepers.
- ✓ Check wiring. See that all connections are still secure and wires are properly clamped.

WHILE LEARNING HOW TO USE YOUR TRACTOR, PAY EXTRA ATTENTION TO THE FOLLOWING IMPORTANT ITEMS:

- ✓ Engine oil is at proper level.
- ✓ Fuel tank is filled with fresh, clean, regular unleaded gasoline.
- ✓ Become familiar with all controls - their location and function. Operate them before you start the engine.
- ✓ Be sure brake system is in safe operating condition.

OPERATION

KNOW YOUR TRACTOR

READ THIS OWNER'S MANUAL AND SAFETY RULES BEFORE OPERATING YOUR TRACTOR

Compare the illustrations with your tractor to familiarize yourself with the locations of various controls and adjustments. Save this manual for future reference.

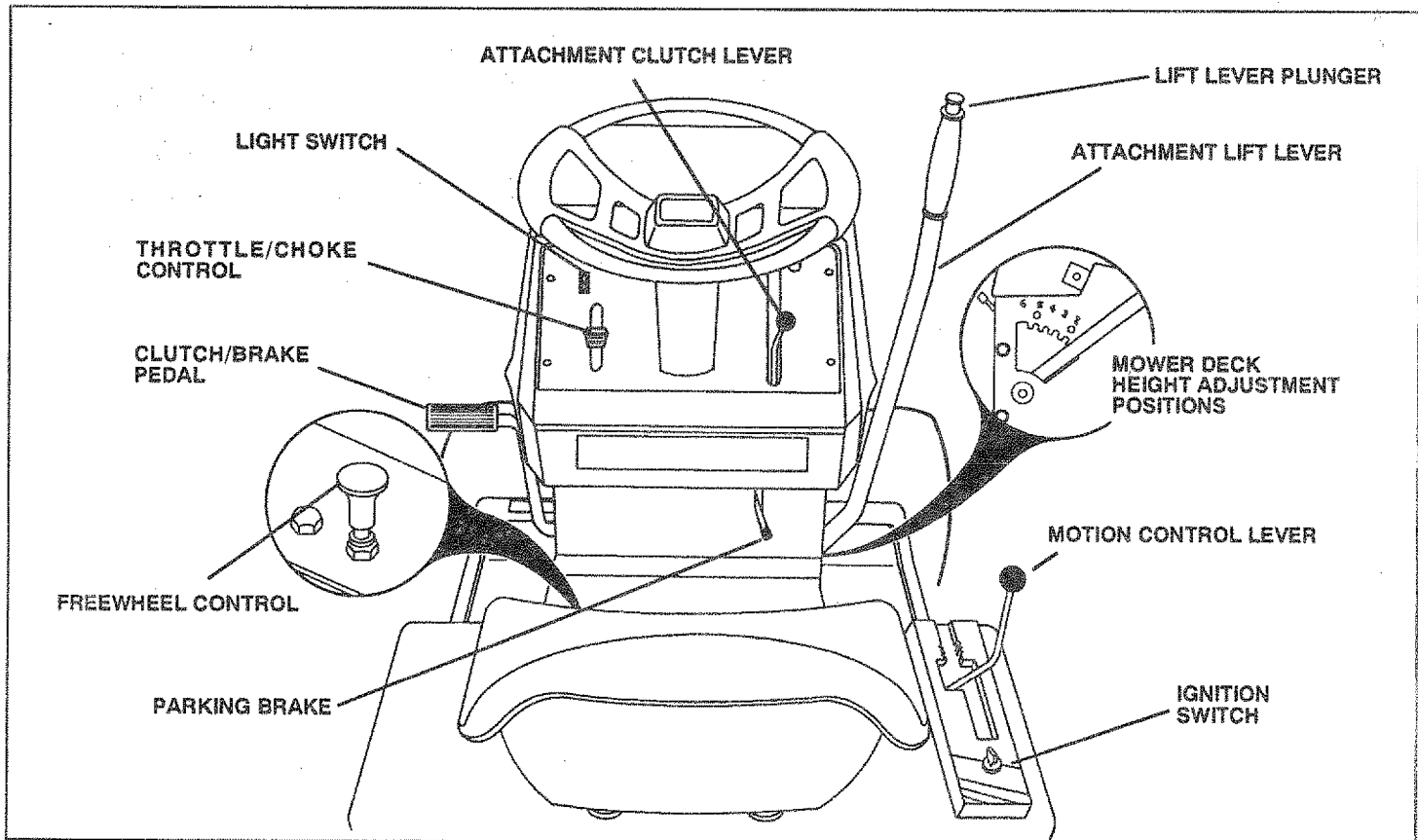


FIG. 6

Sears tractors conform to the safety standards of the American National Standards Institute.

ATTACHMENT CLUTCH LEVER: Used to engage the mower blades, or other attachments mounted to your tractor.

LIGHT SWITCH: Turns the headlights on and off.

THROTTLE/CHOKE CONTROL: Used for starting and controlling engine speed.

CLUTCH/BRAKE PEDAL: Used for declutching and braking the tractor and starting the engine.

PARKING BRAKE: Locks clutch/brake pedal into the brake position.

MOTION CONTROL LEVER: Selects the speed and direction of tractor.

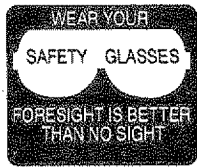
ATTACHMENT LIFT LEVER: Used to raise, lower, and adjust the mower deck or other attachments mounted to your tractor.

LIFT LEVER PLUNGER: Used to release attachment lift lever when changing its position.

IGNITION SWITCH: Used for starting and stopping the engine.

FREEWHEEL CONTROL: Disengages transmission for pushing or slowly towing the tractor with the engine off.

OPERATION



The operation of any tractor can result in foreign objects thrown into the eyes, which can result in severe eye damage. Always wear safety glasses or eye shields while operating your tractor or performing any adjustments or repairs. We recommend wide vision safety mask for over the spectacles or standard safety glasses, available at Sears Retail or Catalog stores.

HOW TO USE YOUR TRACTOR TO SET PARKING BRAKE (See Fig. 7)

Your unit is equipped with an operator presence sensing switch. When engine is running, any attempt by the operator to leave the seat without first setting the parking brake will shut off the engine.

- Depress clutch/brake pedal into full "BRAKE" position and hold.
- Place parking brake lever in "ENGAGED" position and release pressure from clutch/brake pedal. Pedal should remain in "BRAKE" position. Make sure parking brake will hold vehicle secure.

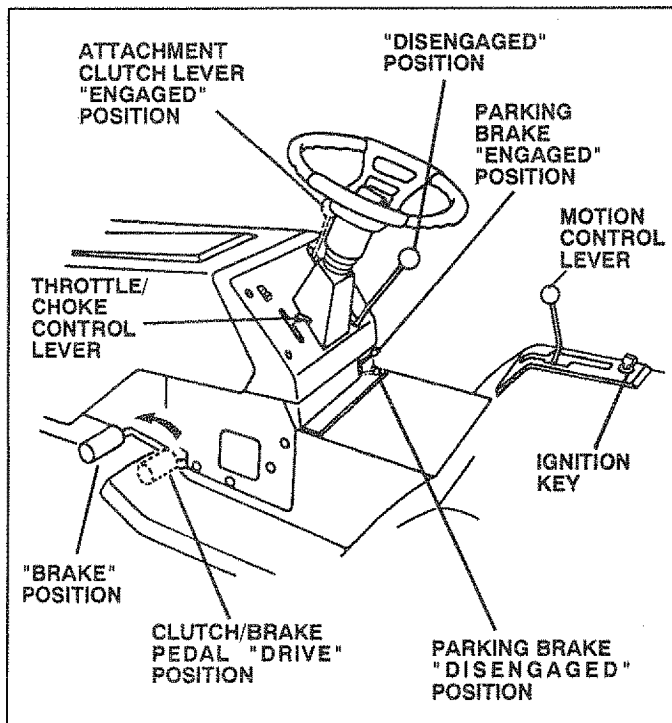


FIG. 7

STOPPING (See Fig. 7)

MOWER BLADES -

- Move attachment clutch lever to "DISENGAGED" position.

GROUND DRIVE -

- Depress clutch/brake pedal into full "BRAKE" position.
- Move motion control lever to "NEUTRAL" position.

IMPORTANT: THE MOTION CONTROL LEVER DOES NOT RETURN TO "NEUTRAL" POSITION WHEN THE CLUTCH/BRAKE PEDAL IS DEPRESSED.

ENGINE -

- Move throttle control to "SLOW" position.
- Turn ignition key to "OFF" position and remove key. Always remove key when leaving vehicle to prevent unauthorized use.
- Never use choke to stop engine.

NOTE: Under certain conditions when unit is standing idle with the engine running, hot engine exhaust gases may cause "browning" of grass. To eliminate this possibility, always stop engine when stopping unit on grass areas.



CAUTION: Always stop unit completely, as described above, before leaving the operator's position; to empty grass catcher, etc.

TO USE THROTTLE CONTROL (See Fig. 7)

Always operate engine at full throttle.

- Operating engine at less than full throttle reduces the battery charging rate and the engine cooling air flow.
- Full throttle offers the best bagging and mower performance.

TO MOVE FORWARD AND BACKWARD (See Fig. 6)

The direction and speed of movement is controlled by the motion control lever.

- Start tractor with motion control lever in "NEUTRAL" position.
- Release parking brake and clutch/brake pedal.
- Slowly move motion control lever to desired position.

TO ADJUST MOWER CUTTING HEIGHT (See Fig. 6)

The position of the attachment lift lever determines the cutting height.

- Grasp lift lever.
- Press plunger with thumb and move lever to desired position.

The cutting height range is approximately 1-1/2" to 4". The heights are measured from the ground to the blade tip with the engine not running. These heights are approximate and may vary depending upon soil conditions, height of grass and types of grass being mowed.

- The average lawn should be cut approximately 2-1/2 inches during the cool season and over 3 inches during hot months. For healthier and better looking lawns, mow often and after moderate growth.
- For best cutting performance, grass over 6 inches in height should be mowed twice. Make the first cut relatively high; the second to desired height.

OPERATION

TO OPERATE MOWER (See Fig. 8)

Your unit is equipped with an operator presence sensing switch. Any attempt by the operator to leave the seat with the engine running and the attachment clutch engaged will shut off the engine.

- Select desired height of cut.
- Engage mower by slowly moving attachment clutch lever to "ENGAGED" position.
- TO STOP MOWER - Move attachment clutch lever to "DISENGAGED" position.



CAUTION: Do not operate the mower without either the entire grass catcher, on mowers so equipped, or the discharge guard in place.

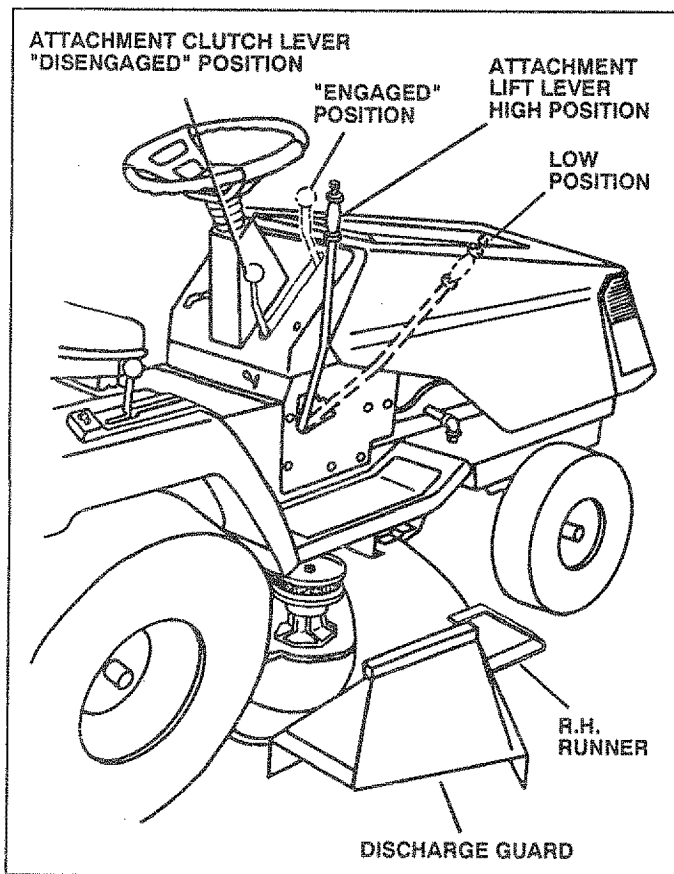


FIG. 8

TO OPERATE ON HILLS



CAUTION: Do not drive up or down hills with slopes greater than 15° and do not drive across any slope.

- Choose the slowest speed before starting up or down hills.
- Avoid stopping or changing speed on hills.
- If slowing is necessary, move throttle control lever to slower position.

- If stopping is absolutely necessary, push clutch/brake pedal quickly to brake position and engage parking brake.

- Move motion control lever to "NEUTRAL" position.

IMPORTANT: THE MOTION CONTROL LEVER DOES NOT RETURN TO "NEUTRAL" POSITION WHEN THE CLUTCH/BRAKE PEDAL IS DEPRESSED.

- To restart movement, slowly release parking brake and clutch/brake pedal.
- Slowly move motion control lever to slowest setting.
- Make all turns slowly.

TO TRANSPORT

- Pull freewheel control knob up to disengage transmission (See Fig. 6).
- When pushing or towing your unit, be sure motion control lever is in "NEUTRAL" position.
- Raise attachment lift control to highest position.
- Do not push or tow unit at more than five (5) MPH.

BEFORE STARTING THE ENGINE

CHECK ENGINE OIL LEVEL (See Fig. 15)

- The engine in your unit has been shipped, from the factory, already filled with summer weight oil.
- Check engine oil with unit on level ground.
- Remove oil fill dipstick and wipe clean, replace and screw cap tight, wait for a few seconds, remove and read oil level. If necessary, add oil until "FULL" mark on dipstick is reached. Do not overfill.
- For cold weather operation you should change oil for easier starting (see "OIL VISCOSITY CHART" in the Customer Responsibilities section of this manual).
- To change engine oil, see the Customer Responsibilities section in this manual.

ADD GASOLINE

- Fill fuel tank. Use fresh, clean, regular unleaded gasoline. (Use of leaded gasoline will increase carbon and lead oxide deposits and reduce valve life).

IMPORTANT: WHEN OPERATING IN TEMPERATURES BELOW 32°F (0°C), USE FRESH, CLEAN WINTER GRADE GASOLINE TO HELP INSURE GOOD COLD WEATHER STARTING.

WARNING: Experience indicates that alcohol blended fuels (called gasohol or using ethanol or methanol) can attract moisture which leads to separation and formation of acids during storage. Acidic gas can damage the fuel system of an engine while in storage. To avoid engine problems, the fuel system should be emptied before storage of 30 days or longer. Drain the gas tank, start the engine and let it run until the fuel lines and carburetor are empty. Use fresh fuel next season. See Storage Instructions for additional information. Never use engine or carburetor cleaner products in the fuel tank or permanent damage may occur.



CAUTION: Fill to bottom of gas tank filler neck. Do not overfill. Wipe off any spilled oil or fuel. Do not store, spill or use gasoline near an open flame.

OPERATION

TO START ENGINE (See Fig. 7)

When starting engine for the first time or if engine has run out of fuel, it will take extra cranking time to move fuel from the tank to the engine.

- Depress the clutch/brake pedal and set the parking brake.
- Place motion control lever in "NEUTRAL" position.
- Move attachment clutch to "DISENGAGED" position.
- Move throttle control lever to "CHOKE" position for cold engine start. For warm engine start, move throttle control to "FAST" position.
- Turn ignition key clockwise to "START" position and release key as soon as engine starts. Do not run starter continuously for more than fifteen seconds per minute. If engine does not start after several attempts, move throttle control to "FAST" position, wait a few minutes and try again.
- When engine starts, move throttle control to desired position.
- Allow engine to warm up for a few minutes before engaging drive or attachment clutch.

NOTE: If at a high altitude (above 3000 feet) or in cold temperatures (below 32° F), the carburetor fuel mixture may need to be adjusted for best engine performance. See "TO ADJUST CARBURETOR" in the Service and Adjustments section of this manual.

MOWING TIPS

- Tire chains cannot be used when the mower housing is attached to unit.
- Mower should be properly leveled for best mowing performance. See "TO LEVEL MOWER HOUSING" in the Service and Adjustments section of this manual.
- Use the runner on the right hand side of mower as a guide. The blade cuts approximately an inch outside the runner (See Fig. 8).
- The left hand side of mower should be used for trimming.

- Drive so that clippings are discharged onto the area that has been cut. Have the cut area to the right of the machine. This will result in a more even distribution of clippings and more uniform cutting.
- When mowing large areas, start by turning to the right so that clippings will discharge away from shrubs, fences, driveways, etc. After one or two rounds, mow in the opposite direction making left hand turns until finished (See Fig. 9).

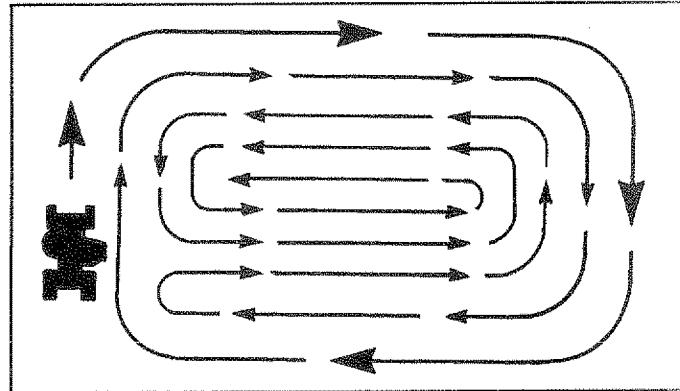


FIG. 9

- If grass is extremely tall, it should be mowed twice to reduce load and possible fire hazard from dried clippings. Make first cut relatively high; the second to the desired height.
- Do not mow grass when it is wet. Wet grass will plug mower and leave undesirable clumps. Allow grass to dry before mowing.
- Always operate engine at full throttle when mowing to assure better mowing performance and proper discharge of material. Regulate ground speed by selecting a low enough gear to give the mower cutting performance as well as the quality of cut desired.
- When operating attachments, select a ground speed that will suit the terrain and give best performance of the attachment being used.

CUSTOMER RESPONSIBILITIES

MAINTENANCE SCHEDULE FILL IN DATES AS YOU COMPLETE REGULAR SERVICE		BEFORE EACH USE							SERVICE DATES							
		FIRST 2 HOURS		EVERY 8 HOURS		EVERY 25 HOURS		EVERY 50 HOURS		EVERY 100 HOURS		BEFORE SEASON		BEFORE STORAGE		
TRACTOR	Check Brake Operation	✓		✓												
	Check Tire Pressure	✓		✓												
	Check for Loose Fasteners	✓								✓						
	Sharpen/Replace Mower Blades					✓ ₄										
	Lubrication Chart					✓				✓						
	Check Battery Level/Recharge					✓										
	Clean Battery and Terminals					✓					✓					
	Check Transmission Cooling					✓										
	Adjust Blade Belt(s) Tension								✓							
	Adjust Motion Drive Belt(s) Tension								✓							
ENGINE	Check Engine Oil Level	✓		✓												
	Change Engine Oil		✓			✓ _{1,2,3}				✓						
	Clean Air Filter					✓ ₂										
	Clean Air Screen					✓ ₂										
	Inspect Muffler/Spark Arrester						✓									
	Replace Oil Filter (If equipped)								✓ _{1,2}							
	Clean Engine Cooling Fins								✓ ₂							
	Replace Spark Plug								✓		✓					
	Replace Air Filter Paper Cartridge								✓ ₂							
	Replace Fuel Filter									✓						

1 - Change more often when operating under a heavy load or in high ambient temperatures.
2 - Service more often when operating in dirty or dusty conditions.

3 - If equipped with oil filter, change oil every 50 hours.
4 - Replace blades more often when mowing in sandy soil.

GENERAL RECOMMENDATIONS

The warranty on this vehicle does not cover items that have been subjected to operator abuse or negligence. To receive full value from the warranty, operator must maintain unit as instructed in this manual.

Some adjustments will need to be made periodically to properly maintain your unit.

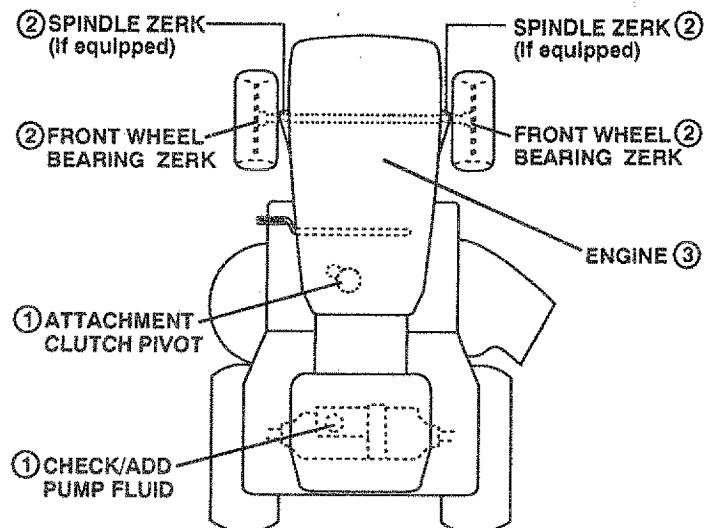
All adjustments in the Service and Adjustments section of this manual should be checked at least once each season.

- Once a year you should replace the spark plug, clean or replace air filter, and check blades and belts for wear. A new spark plug and clean air filter assure proper air-fuel mixture and help your engine run better and last longer.

BEFORE EACH USE

- Check engine oil level.
- Check brake operation.
- Check tire pressure.
- Check for loose fasteners.

LUBRICATION CHART



① SAE 10W30 MOTOR OIL API - SG

② GENERAL PURPOSE GREASE

③ REFER TO CUSTOMER RESPONSIBILITIES "ENGINE" SECTION

IMPORTANT: DO NOT OIL OR GREASE THE PIVOT POINTS WHICH HAVE SPECIAL NYLON BEARINGS. VISCOUS LUBRICANTS WILL ATTRACT DUST AND DIRT THAT WILL SHORTEN THE LIFE OF THE SELF-LUBRICATING BEARINGS. IF YOU FEEL THEY MUST BE LUBRICATED, USE ONLY A DRY, POWDERED GRAPHITE TYPE LUBRICANT SPARINGLY.

CUSTOMER RESPONSIBILITIES

TRACTOR

Always observe safety rules when performing any maintenance.

BRAKE OPERATION

If unit requires more than six (6) feet stopping distance at high speed in highest gear, than brake must be adjusted. (See "TO ADJUST BRAKE" in Service and Adjustments section of this manual).

TIRES

- Maintain proper air pressure in all tires (See "PRODUCT SPECIFICATIONS" on page 3 of this manual).
- Keep tires free of gasoline, oil, or insect control chemicals which can harm rubber.
- Avoid stumps, stones, deep ruts, sharp objects and other hazards that may cause tire damage.

BLADE CARE

For best results mower blades must be kept sharp. The blades can be sharpened with a file or on a grinding wheel. We suggest they be sharpened or replaced after every 25 hours of mowing. Check blades more often if mowing in sandy conditions.

- Do not attempt to sharpen blades while they are on the mower.
- Replace bent or damaged blades.

BLADE REMOVAL (See Fig. 10)

- Raise mower to highest position to allow access to blades.
- Remove hex bolt, lock washer and flat washer securing blade.
- Install new or resharpened blade with trailing edge up towards deck as shown.
- Reassemble hex bolt, lock washer and flat washer in exact order as shown.
- Tighten bolt securely (30-35 Ft. Lbs. torque).

IMPORTANT: BLADE BOLT IS GRADE 8 HEAT TREATED.

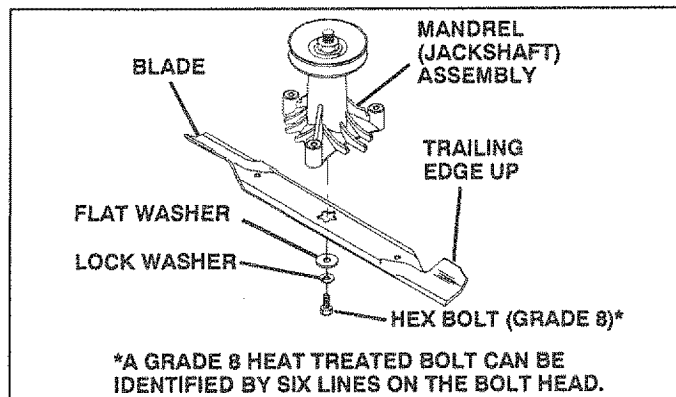


FIG. 10

TO SHARPEN BLADE (See Fig. 11)

Care should be taken to keep the blade balanced. An unbalanced blade will cause excessive vibration and eventual damage to mower and engine.

- The blade can be sharpened with a file or on a grinding wheel. Do not attempt to sharpen while on the mower.
- To check blade balance, you will need a 5/8" diameter steel bolt, pin, or a cone balancer. (When using a cone balancer, follow the instructions supplied with balancer).
- Slide blade on to an unthreaded portion of the steel bolt or pin and hold the bolt or pin parallel with the ground. If blade is balanced, it should remain in a horizontal position. If either end of the blade moves downward, sharpen the heavy end until the blade is balanced.

NOTE: Do not use a nail for balancing blade. The lobes of the center hole may appear to be centered, but are not.

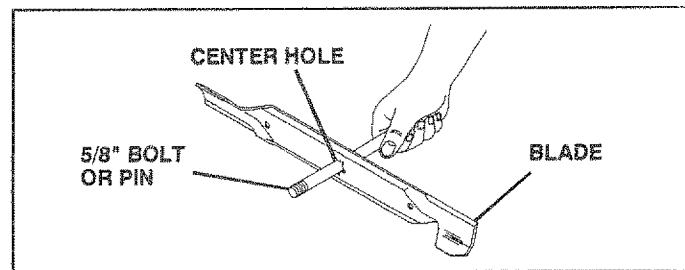


FIG. 11

BATTERY (See Fig. 12)

Your unit has a battery charging system which is sufficient for normal use. However, periodic charging of the battery with an automotive charger will extend its life.

- Acid solution level in each battery cell should be even with bottoms of vent wells. Add only distilled or iron free water if necessary. Do not overfill.

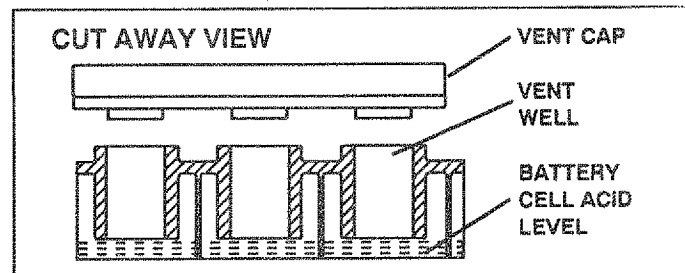


FIG. 12

- Keep battery and terminals clean.
- Keep battery bolts tight.
- Keep vent caps tight and small vent holes in caps open.
- Recharge at 6 amperes for 1 hour.

TO CLEAN BATTERY AND TERMINALS -

Corrosion and dirt on the battery and terminals can cause the battery to "leak" power.

- Remove terminal guard.
- Disconnect BLACK battery cable first then RED battery cable and remove battery from tractor.
- Wash battery with solution of four tablespoons of baking soda to one gallon of water. Be careful not to get the soda solution into the cells.
- Rinse the battery with plain water and dry.
- Clean terminals and battery cable ends with wire brush until bright.
- Coat terminals with grease or petroleum jelly.
- Reinstall battery (See "INSTALL BATTERY" in Assembly section of this manual).

CUSTOMER RESPONSIBILITIES

TRANSAXLE PUMP FLUID LEVEL (See Figs. 13 & 14)

Check fluid level after every 25 hours of use. Rear drawbar must be removed to check fluid level.

- Remove the four (4) fasteners to remove the drawbar.
- Clean reservoir thoroughly before removing cap.
- Check for proper fluid level in reservoir (should be above the "OIL LEVEL COLD" line).
- If oil is needed, remove cap on reservoir (with a clockwise rotation), and fill to "OIL LEVEL COLD" line with SAE 10W30 oil.
- Replace cap securely (do not overtighten).
- Reassemble drawbar and tighten fasteners securely.

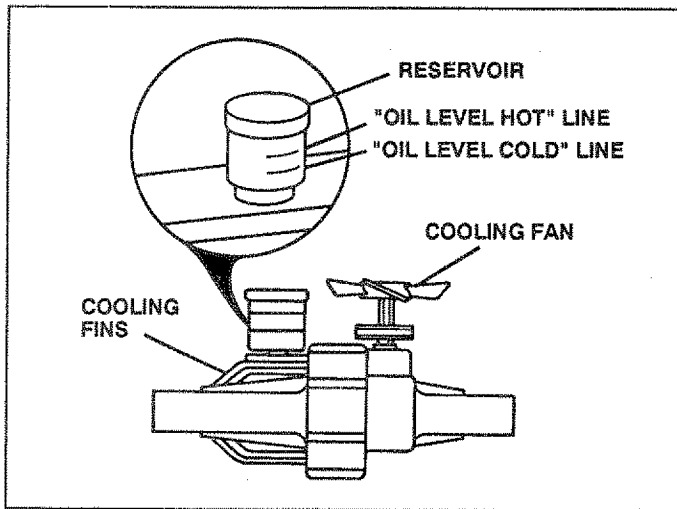


FIG. 13

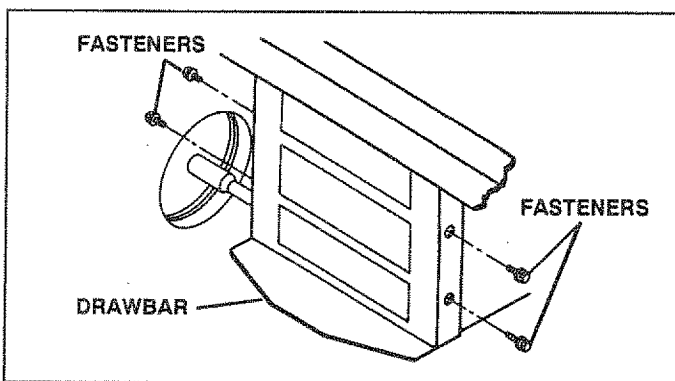


FIG. 14

V-BELTS

Check V-belts for deterioration and wear after 100 hours and replace if necessary. The belts are not adjustable. Replace belts if they begin to slip from wear.

TRANSAXLE COOLING

Keep transaxle free from build-up of dirt and chaff which can restrict cooling.

ENGINE

LUBRICATION

Change the oil after the first two hours of operation and every 25 hours thereafter or at least once a year if the tractor is not used for 25 hours in one year.

Check the crankcase oil level before starting the engine and after each eight (8) hours of continuous use. Add SAE 30W motor oil or equivalent. Tighten oil fill cap/dipstick securely each time you check the oil level. SAE 5W-30 motor oil may be used to make starting easier in areas where temperature is consistently 32° F or lower.

TO CHANGE ENGINE OIL (See Fig. 15)

Determine temperature range expected before oil change. All oil must meet API service classification SG.

- Be sure vehicle is on level surface.
- Oil will drain more freely when warm.
- Catch oil in a suitable container.
- Remove oil fill dipstick. Be careful not to allow dirt to enter the engine when changing oil.
- Remove drain plug.
- After oil has drained completely, replace oil drain plug and tighten securely.
- Refill engine with oil through oil fill dipstick tube. Pour slowly. Do not overfill. For approximate capacity see Product Specifications on page 3 of this manual.
- Use gauge on oil fill dipstick for checking level. Be sure dipstick cap is tightened securely for accurate reading. Keep oil at "FULL" line on dipstick.

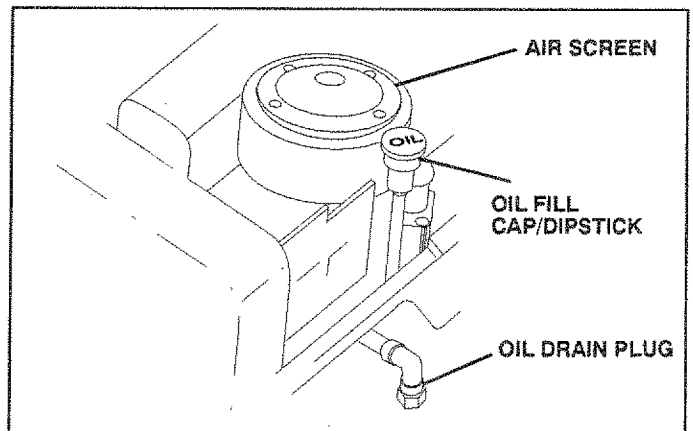
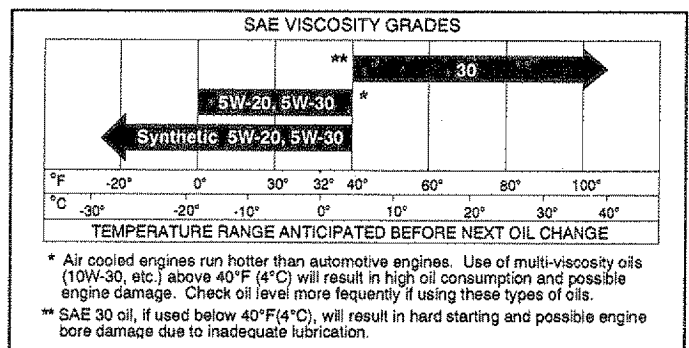


FIG. 15

CUSTOMER RESPONSIBILITIES

AIR FILTER FOAM PRE-CLEANER (See Fig. 16)

Your engine will not run properly and may be damaged by using a dirty air filter. Clean the foam pre-cleaner element after every 25 hours of operation, more often if used in very dusty, dirty conditions.

- Remove knob and cover.
- Remove cartridge nut and replace cartridge.
- Reassemble and tighten securely.

NOTE: Do not attempt to clean or oil the paper cartridge. Replace paper cartridge once a year or after every 100 hours of operation, more often if used in very dusty, dirty conditions.

- Wash foam pre-cleaner in liquid detergent and water.
- Wrap foam pre-cleaner in cloth and squeeze dry.
- Lightly coat foam pre-cleaner with clean engine oil. Squeeze in towel to remove excess oil. Do not saturate.
- Install foam pre-cleaner over paper cartridge.
- Reassemble cover and secure with knobs.

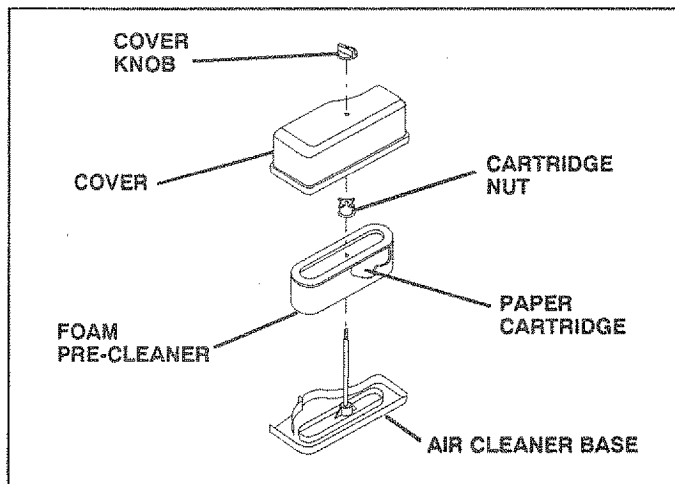


FIG. 16

AIR SCREEN (See Fig. 15)

The engine air screen must be kept free of dirt and chaff to prevent engine damage from overheating. Clean with a wire brush or compressed air to remove dirt and stubborn dried gum fibers.

ENGINE COOLING FINS (See Fig. 17)

Remove any dust, dirt or oil from engine cooling fins to prevent engine damage from overheating.

- Remove oil fill dipstick and cover opening to prevent entry of dirt.
- Remove screws from blower housing and lift housing off engine.
- Remove the screws securing the starter housing and lift housing off engine.
- Use compressed air or stiff bristle brush to thoroughly clean engine cooling fins.
- To reassemble, reverse above procedure.

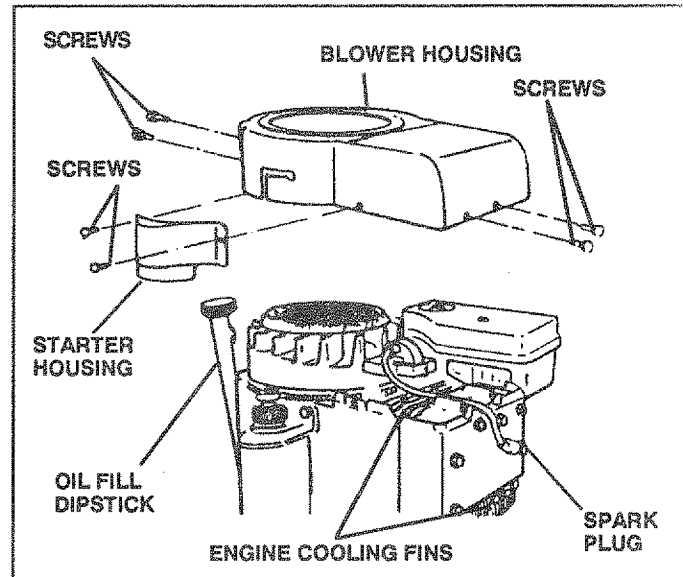


FIG. 17

MUFFLER

Inspect and replace corroded muffler and spark arrester (if equipped) as it could create a fire hazard and/or damage.

SPARK PLUGS

Replace spark plugs at the beginning of each mowing season or after every 100 hours of use, whichever comes first. Spark plug type and gap setting is shown in "PRODUCT SPECIFICATIONS" on page 3 of this manual.

IN-LINE FUEL FILTER (See Fig. 18)

Fuel filter should be replaced once each season. If fuel filter becomes clogged, obstructing fuel flow to carburetor, replacement is required.

- With engine cool, remove filter and plug fuel line sections.
- Place new fuel filter in position in fuel line.
- Be sure there are no fuel line leaks and clamps are properly positioned.
- Immediately wipe up any spilled gasoline.

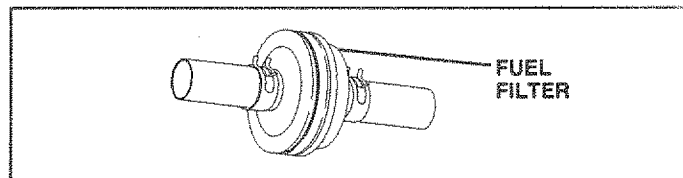


FIG. 18

CLEANING

- Clean engine, battery, seat, finish, etc. of all foreign matter.
- Keep finished surfaces and wheels free of all gasoline, oil, etc.
- Protect painted surfaces with automotive type wax.

We do not recommend using a garden hose to clean your unit unless the electrical system, muffler, air filter and carburetor are covered to keep water out. Water in engine can result in a shortened engine life.

SERVICE AND ADJUSTMENTS



CAUTION: BEFORE PERFORMING ANY SERVICE OR ADJUSTMENTS:

- Depress clutch/brake pedal fully and set parking brake.
- Place motion control lever in "NEUTRAL" position.
- Place attachment clutch in "DISENGAGED" position.
- Turn ignition key "OFF" and remove key.
- Make sure the blades and all moving parts have completely stopped.
- Disconnect spark plug wire from spark plug and place wire where it cannot come in contact with plug.

TRACTOR

TO REMOVE MOWER (See Fig. 19)

Mower will be easier to remove from the right side of unit.

- Place attachment clutch in "DISENGAGED" position.
- Move attachment lift lever forward to lower mower to its lowest position.
- Roll belt off engine pulley.
- Disconnect clutch rod from clutch lever by removing retainer spring.
- Disconnect suspension arms from rear deck brackets by removing retainer springs.
- Disconnect front links from deck by removing retainer springs.
- Raise lift lever to raise suspension arms. Slide mower out from under tractor.

IMPORTANT: IF AN ATTACHMENT OTHER THAN THE MOWER IS TO BE MOUNTED TO THE TRACTOR, THE R.H. AND L.H. SUSPENSION ARMS MUST BE REMOVED FROM TRACTOR.

TO INSTALL MOWER (See Fig. 19)

- Raise attachment lift lever to its highest position.
- Slide mower under tractor with discharge guard to right side of tractor.
- Lower lift lever to its lowest position.
- Install mower in reverse order of removal instructions.

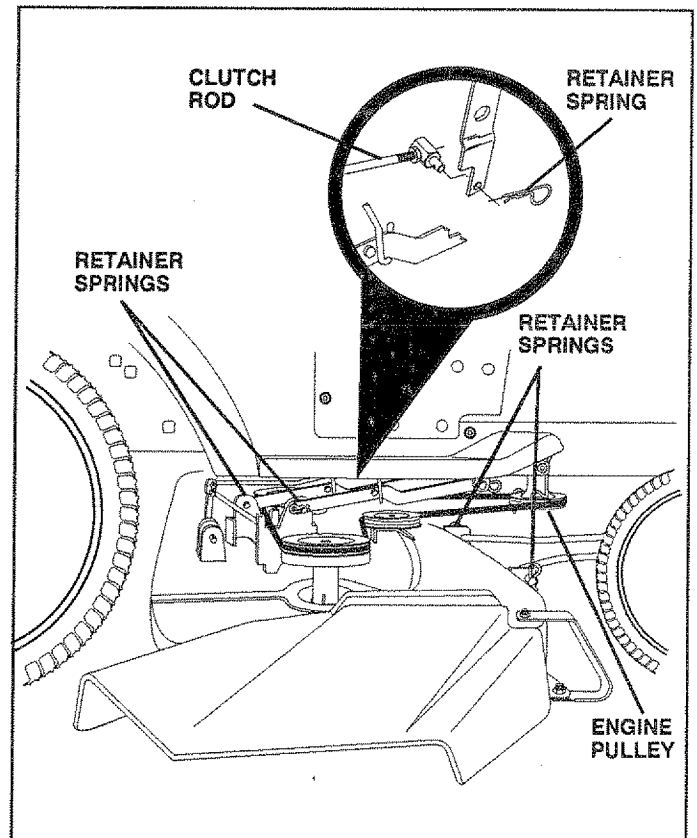


FIG. 19

SERVICE AND ADJUSTMENTS

TO LEVEL MOWER HOUSING

Adjust the mower while tractor is parked on level ground or driveway. Make sure tires are properly inflated (See "PRODUCT SPECIFICATIONS" on page 3). If tires are over or under inflated, you will not properly adjust your mower.

SIDE-TO-SIDE ADJUSTMENT (See Figs. 20 and 21) -

- Raise attachment lift lever to its highest position.
- Measure height from bottom of deck curl to ground level at front corners of mower. Distance "A" should be the same.
- If distance "A" needs to be changed, snap out access hole cover on left side of tractor above footrest.
- To raise left side of mower, loosen nut "B" and tighten nut "C".
- To lower left side of mower, loosen nut "C" and tighten nut "B".
- When distance "A" is equal, securely tighten nuts "B" and "C".
- Replace access hole cover.

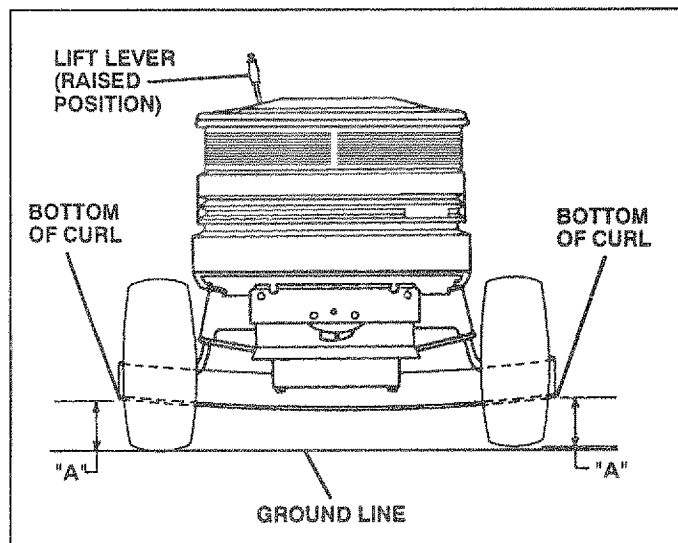


FIG. 20

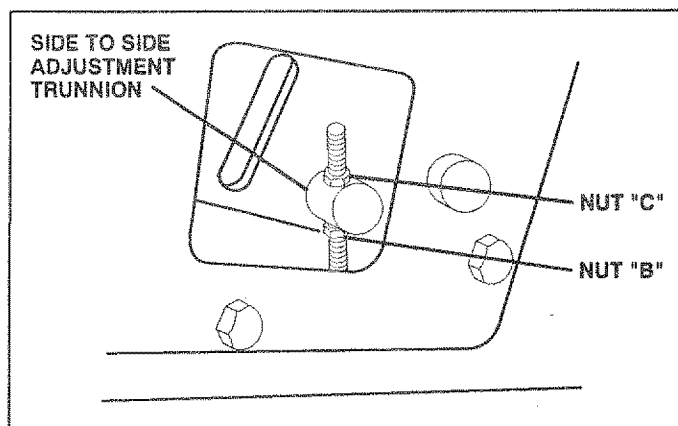


FIG. 21

FRONT-TO-BACK ADJUSTMENT (See Figs. 22 and 23) -
To obtain the best cutting results, the mower housing should be adjusted so that the front is approximately 3/8" to 1/2" lower than the rear when the mower is in its highest position.

Check adjustment on right side of tractor. Measure distance "D" at front and rear flanges of mower housing as shown.

- To lower front of mower turn nut "E" counterclockwise on both front links an equal number of turns.
- When distance "D" is 3/8" to 1/2" lower at front than rear, tighten nuts "F" against trunnion on both front links.
- To raise front of mower, loosen nut "F" from trunnion on both front links. Turn nut "E" clockwise on both front links an equal number of turns.
- When distance "D" is 3/8" to 1/2" lower at front than rear, retighten nut "F" against trunnion on both front links.

IMPORTANT: WHEN ADJUSTING FRONT LINK TRUNNIONS, ALWAYS ADJUST BOTH EQUALLY SO MOWER WILL STAY LEVEL SIDE-TO-SIDE.

- Recheck side-to-side adjustment.

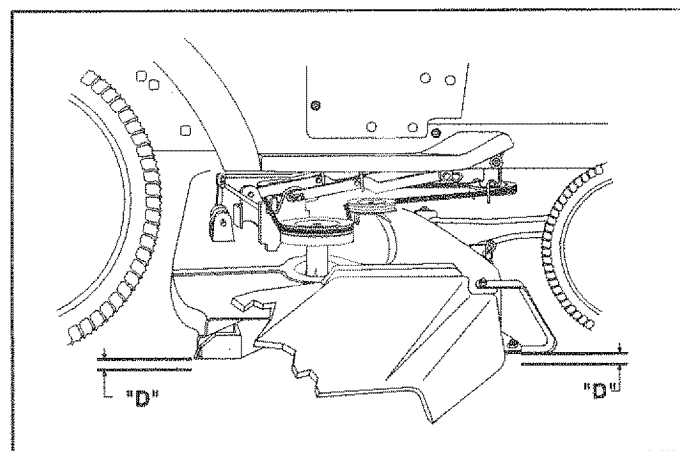


FIG. 22

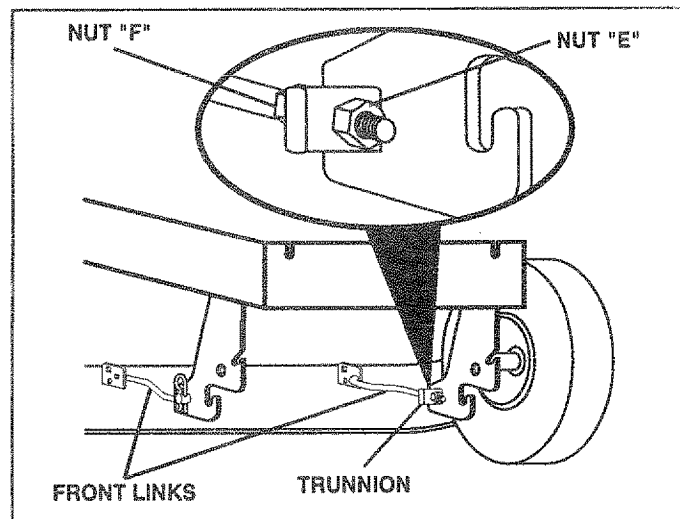


FIG. 23

SERVICE AND ADJUSTMENTS

TO REPLACE MOWER BLADE DRIVE BELT (See Fig. 24)

The mower blade drive belt may be replaced without tools. Park the tractor on level surface. Engage parking brake. For assistance, there is a belt installation guide decal on the mower housing.

BELT REMOVAL -

- Place attachment clutch in "DISENGAGED" position.
- Move attachment lift lever forward to lower mower to its lowest position.
- Roll belt off engine pulley.
- Disconnect R.H. suspension arm from rear deck bracket by removing retainer spring.
- Work belt off both mandrel pulleys and idler pulleys.
- Pull belt away from mower.

BELT INSTALLATION -

- Install new belt in reverse order of removal.
- Make sure belt is in all pulley grooves and inside all belt guides.

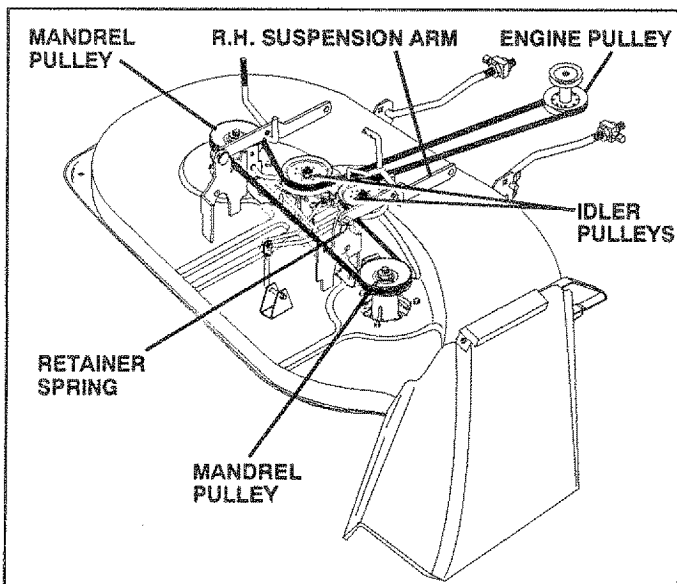


FIG. 24

TO ADJUST BRAKE (See Fig. 25)

Your unit is equipped with an adjustable brake system which is mounted on the right side of the transaxle.

If unit requires more than six (6) feet stopping distance at high speed in highest gear, then brake must be adjusted.

- Depress clutch/brake pedal and engage parking brake.
- Measure distance between brake operating arm and nut "A" on brake rod.
- If distance is other than 1-1/2", disengage parking brake, loosen jam nut and turn nut "A" until distance becomes 1-1/2". Retighten jam nut against nut "A".
- Engage parking brake and recheck distance.
- Road test unit for proper stopping distance as stated above. Readjust if necessary. If stopping distance is still greater than six (6) feet in highest gear, further maintenance is necessary. Contact your nearest authorized service center.

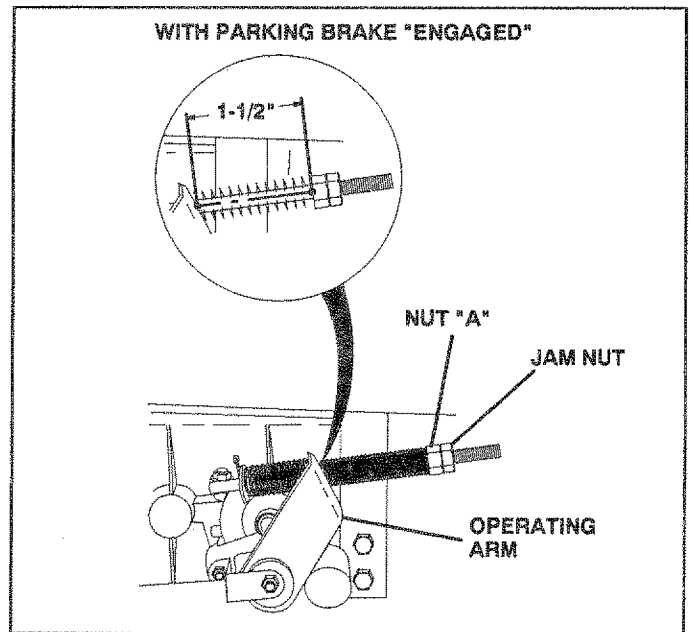


FIG. 25

TO REPLACE MOTION DRIVE BELT (See Figs. 26 & 27)

Park the tractor on level surface. Engage parking brake. For ease of service, remove rear drawbar from chassis and belt keeper from transmission input pulley. For assistance, there is a belt installation guide decal on bottom side of left footrest.

- Remove mower (See "TO REMOVE MOWER" in this section of this manual).
- Remove belt from stationary idler and clutching idler.
- Remove clutch locator.
- Disconnect clutch wire harness.
- Rotate clutch assembly enough to allow belt to be removed downwards off engine pulley, under belt keeper, and around clutch assembly.
- Remove belt carefully upwards from transmission input pulley and over cooling fan blades.
- Install new belt by reversing above procedure.

IMPORTANT: REPLACE ONLY WITH BELT LISTED IN THIS MANUAL.

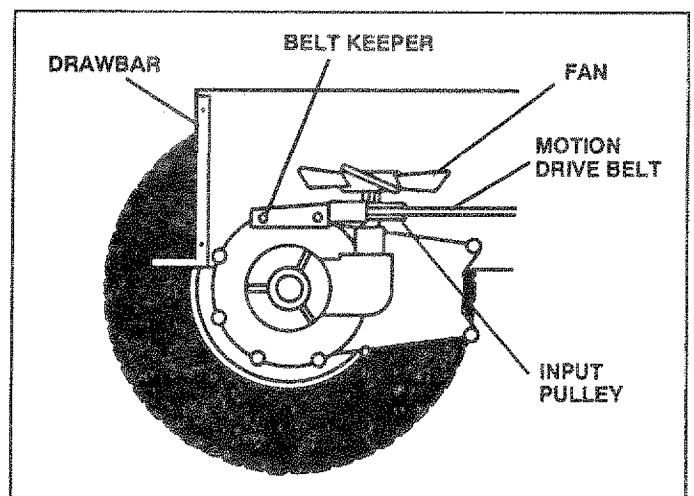


FIG. 26

SERVICE AND ADJUSTMENTS

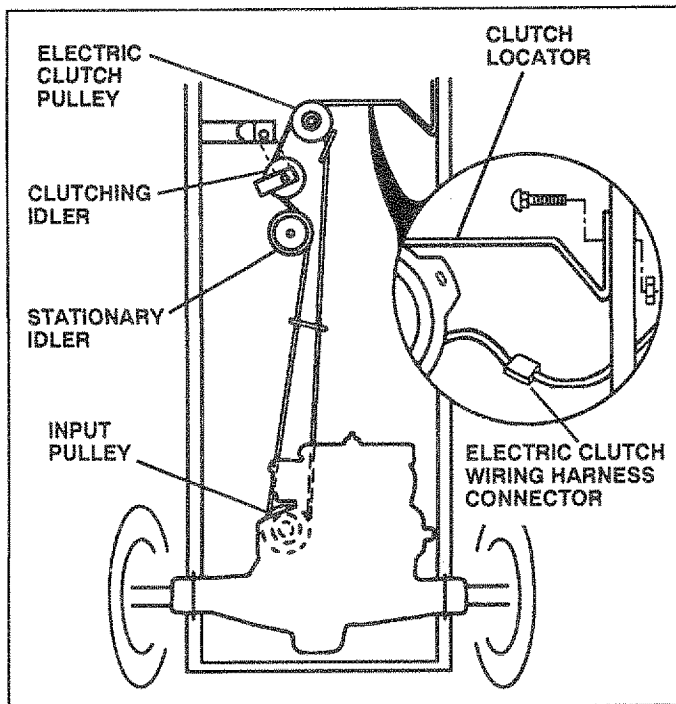


FIG. 27

TO ADJUST MOTION CONTROL LEVER (See Fig. 28)

"NEUTRAL" position of the motion control lever has been preset at the factory and adjustment should not be necessary.

If your unit tends to "creep" when the motion control lever is in "NEUTRAL" position, adjust the neutral lever position as follows:

FORWARD ADJUSTMENT-

- Drive unit forward on a level surface.
- Move motion control lever to the left and back until it stops against forward adjustment plate and release lever.
- If unit "creeps" forward or backward, turn engine off and set parking brake.
- From underside of fender, loosen the two (2) bolts securing forward adjustment plate and move plate 1/16" opposite the direction the unit "creeps":
 - Forward "creep", move plate backwards 1/16 inch.
 - Reverse "creep", move plate forward 1/16 inch.
- Retighten bolts securely.
- Repeat forward drive test and, if necessary, readjust until "creep" is eliminated.

REVERSE ADJUSTMENT-

- Drive unit in reverse on a level surface.
- Move motion control lever to the right and forward until it stops against reverse adjustment plate and release lever.
- If unit "creeps" forward or backward, turn engine off and set parking brake.
- Loosen and move reverse adjustment plate in the same manner as forward adjustment plate described above:
 - Forward "creep", move plate backwards 1/16 inch.
 - Reverse "creep", move plate forward 1/16 inch.
- Retighten bolts securely.
- Repeat reverse drive test and, if necessary, readjust until "creep" is eliminated.

If "creep" cannot be eliminated by the above adjustments, contact your nearest Sears Service Center.

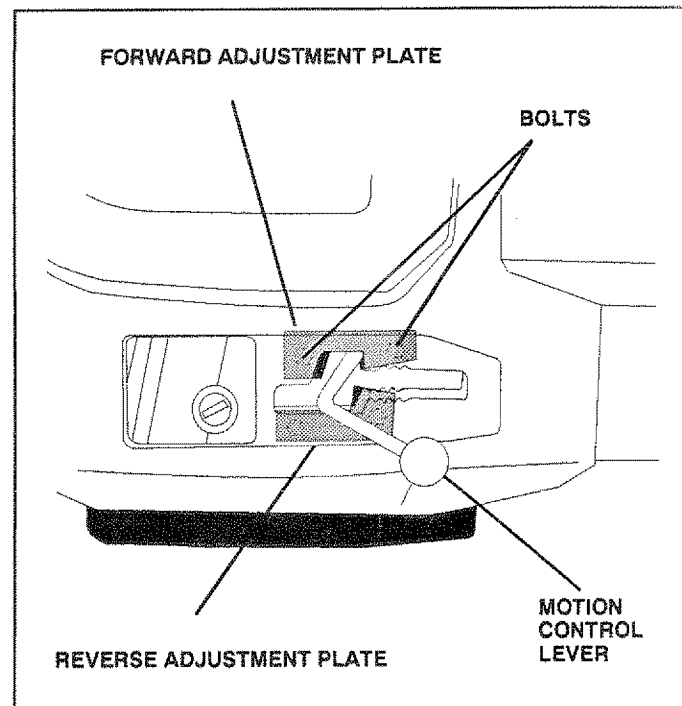


FIG. 28

SERVICE AND ADJUSTMENTS

TO ADJUST STEERING WHEEL ALIGNMENT

If steering wheel crossbars are not horizontal (left to right) when wheels are positioned straight forward, remove steering wheel and reassemble per instructions in the Assembly section of this manual.

FRONT WHEEL TOE-IN/CAMBER

The front wheel toe-in and camber are not adjustable on your tractor. If damage has occurred to affect the front wheel toe-in or camber, contact your nearest authorized service center.

TO REMOVE WHEEL FOR REPAIRS (See Fig. 29)

- Block up axle securely.
- Remove axle cover, retaining ring and washers to allow wheel removal (rear wheel contains a square key - Do not lose).
- Repair tire and reassemble.
- On rear wheels only: align grooves in rear wheel hub and axle. Insert square key.
- Replace washers and snap retaining ring securely in axle groove.
- Replace axle cover.

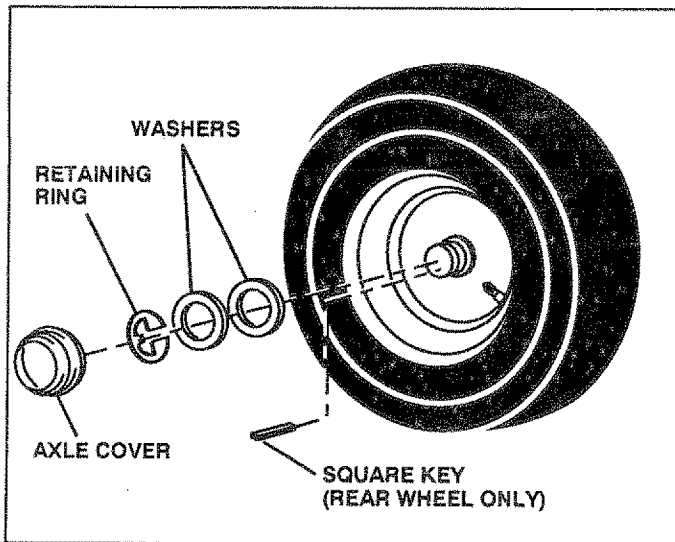


FIG. 29

TO START ENGINE WITH A WEAK BATTERY (See Fig. 30)



CAUTION: Lead-acid batteries generate explosive gases. Keep sparks, flame and smoking materials away from batteries. Always wear eye protection when around batteries.

If your battery is too weak to start the engine, it should be recharged. If "jumper cables" are used for emergency starting, follow this procedure:

IMPORTANT: YOUR UNIT IS EQUIPPED WITH A 12 VOLT NEGATIVE GROUNDED SYSTEM. THE OTHER VEHICLE MUST ALSO BE A 12 VOLT NEGATIVE GROUNDED SYSTEM. DO NOT USE YOUR TRACTOR BATTERY TO START OTHER VEHICLES.

TO ATTACH JUMPER CABLES -

- Connect each end of the RED cable to the POSITIVE (+) terminal of each battery, taking care not to short against chassis.
- Connect one end of the BLACK cable to the NEGATIVE (-) terminal of fully charged battery.
- Connect the other end of the BLACK cable to a good CHASSIS GROUND, away from fuel tank and battery.

TO REMOVE CABLES, REVERSE ORDER -

- BLACK cable first from left side of chassis and fully charged battery.
- RED cable last from both batteries.

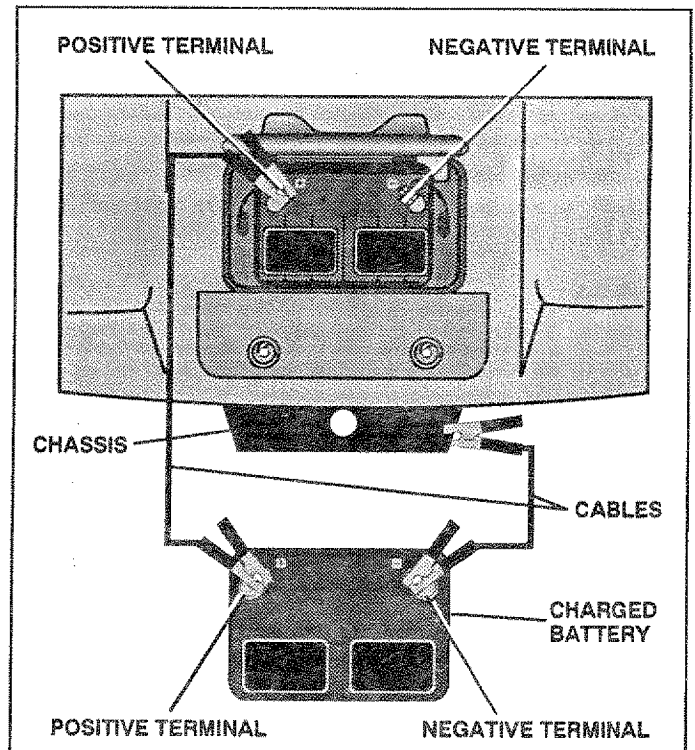


FIG. 30

SERVICE AND ADJUSTMENTS

TO REPLACE FUSE (See Fig. 31)

Replace with 30 amp automotive-type plug-in fuse. The fuse holder is located in the engine compartment, directly in front of the dash.

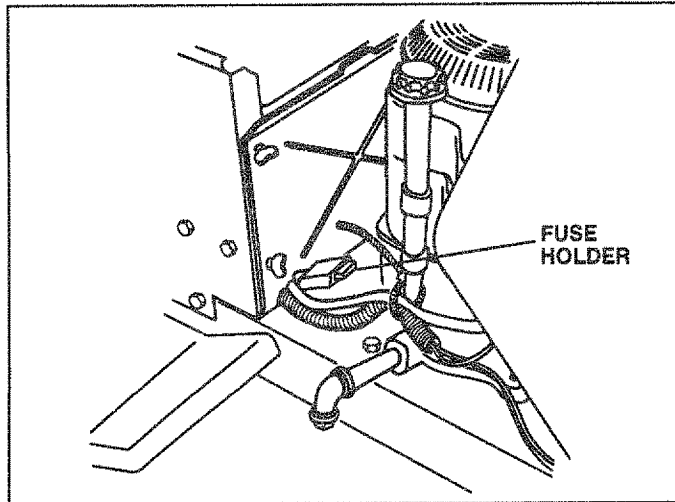


FIG. 31

TO REPLACE HEADLIGHT BULB

- Raise hood.
- Pull bulb holder out of the hole in the backside of the grill.
- Replace bulb in holder and push bulb holder securely back into the hole in the backside of the grill.
- Close hood.

INTERLOCKS AND RELAYS

Loose or damaged wiring may cause your tractor to run poorly, stop running or prevent it from starting.

- Check wiring. See electrical wiring diagram in Repair Parts section of this manual.

TO REMOVE HOOD AND GRILL (See Fig. 32)



CAUTION: Muffler is hot. Be careful when removing retainer springs from hood pivot brackets.

- Raise hood.
- Unsnap headlight wire connector.
- Remove retainer springs from hood pivot brackets.
- Stand in front of tractor. Grasp hood at sides, tilt forward and lift off of tractor.
- To reinstall, slide hood pivot brackets into slots in frame. Replace retainer springs.
- Reconnect headlight wire connector and close hood.

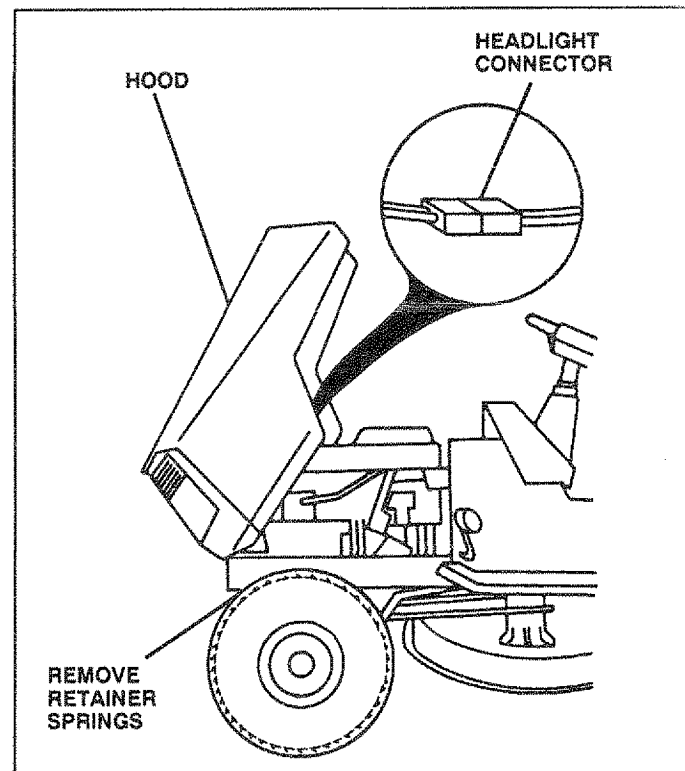


FIG. 32

SERVICE AND ADJUSTMENTS

ENGINE

TO ADJUST THROTTLE CONTROL CABLE (See Fig. 33)

The throttle control has been preset at the factory and adjustment should not be necessary. Check adjustment as described below before loosening cable. If adjustment is necessary, proceed as follows:

- With engine not running, move throttle control lever from "SLOW" to "CHOKE" position. Slowly move lever from "CHOKE" to "FAST" position.
- Check that holes "A" in governor control lever and hole in governor plate line-up. If holes "A" are not aligned, loosen clamp screw and move throttle cable until holes are aligned. Tighten clamp screw securely.

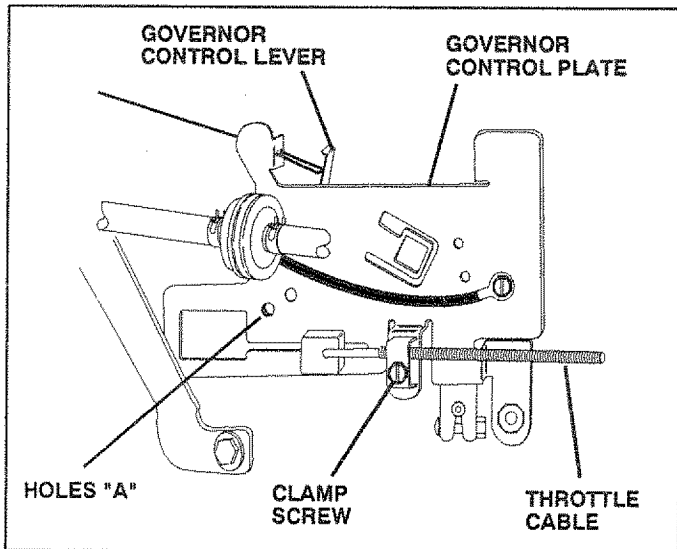


FIG. 33

TO ADJUST CARBURETOR (See Fig. 34)

The carburetor has been preset at the factory and adjustment should not be necessary. However, minor adjustment may be required to compensate for differences in fuel, temperature, altitude or load. If the carburetor does need adjustment, proceed as follows:

In general, turning idle mixture valve **in** (clockwise) decreases the supply of fuel to the engine giving a leaner fuel/air mixture. Turning the idle mixture valve **out** (counterclockwise) increases the supply of fuel to the engine giving a richer fuel/air mixture.

IMPORTANT: DAMAGE TO THE NEEDLE VALVE AND THE SEAT IN CARBURETOR MAY RESULT IF SCREW IS TURNED IN TOO TIGHT.

PRELIMINARY SETTING -

- Air cleaner assembly must be assembled to the carburetor when making carburetor adjustments.
- Be sure the throttle control cable is adjusted properly (see above).
- With engine off turn idle mixture valve **in** (clockwise) closing it finger tight and then turn **out** (counterclockwise) 1 full turn.

FINAL SETTING -

- Start engine and allow to warm for five minutes. Make final adjustments with engine running and shift/motion control lever in "NEUTRAL" position.
- Move throttle control lever to "SLOW" position. With finger, rotate and hold throttle lever against idle speed screw. Turn idle speed screw to attain 1750 RPM.
- While still holding throttle lever against idle speed screw, turn idle mixture valve **in** (clockwise) until engine begins to die and then turn **out** (counterclockwise) until engine runs rough. Turn valve to a point midway between those two positions. Release throttle lever.

ACCELERATION TEST -

- Move throttle control lever from "SLOW" to "FAST" position. If engine hesitates or dies, turn idle mixture valve **out** (counterclockwise) 1/8 turn. Repeat test and continue to adjust, if necessary, until engine accelerates smoothly.

High speed stop is factory adjusted. Do not adjust - damage may result.

IMPORTANT: NEVER TAMPER WITH THE ENGINE GOVERNOR, WHICH IS FACTORY SET FOR PROPER ENGINE SPEED. OVERSPEEDING THE ENGINE ABOVE THE FACTORY HIGH SPEED SETTING CAN BE DANGEROUS. IF YOU THINK THE ENGINE-GOVERNED HIGH SPEED NEEDS ADJUSTING, CONTACT YOUR NEAREST AUTHORIZED SERVICE CENTER, WHICH HAS PROPER EQUIPMENT AND EXPERIENCE TO MAKE ANY NECESSARY ADJUSTMENTS.

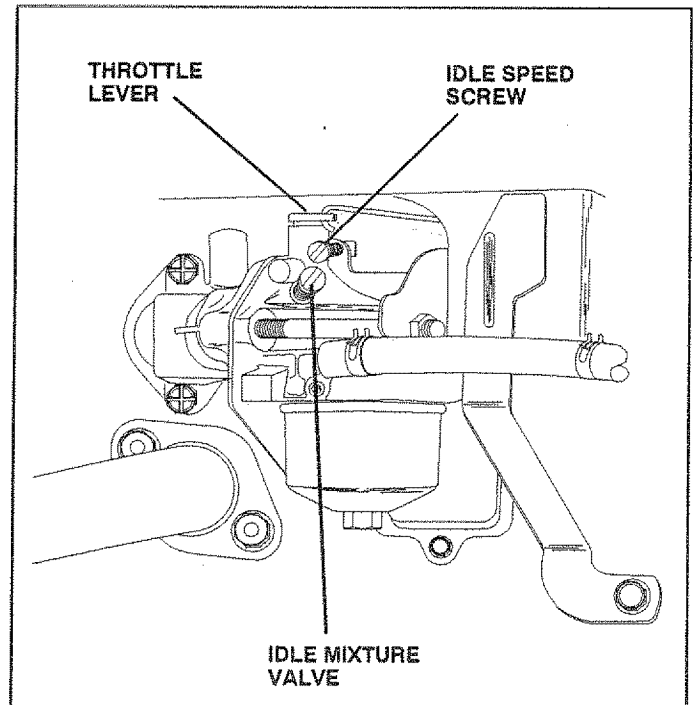


FIG. 34

STORAGE

Immediately prepare your tractor for storage at the end of the season or if the unit will not be used for 30 days or more.



CAUTION: Never store the tractor with gasoline in the tank inside a building where fumes may reach an open flame or spark. Allow the engine to cool before storing in any enclosure.

TRACTOR

Remove mower from tractor for winter storage. When mower is to be stored for a period of time, clean it thoroughly, remove all dirt, grease, leaves, etc. Store in a clean, dry area.

- Clean entire tractor (See "CLEANING" in the Customer Responsibilities section of this manual).
- Inspect and replace belts, if necessary (See belt replacement instructions in the Service and Adjustments section of this manual).
- Lubricate as shown in the Customer Responsibilities section of this manual.
- Be sure that all nuts, bolts and screws are securely fastened. Inspect moving parts for damage, breakage and wear. Replace if necessary.
- Touch up all rusted or chipped paint surfaces; sand lightly before painting.

BATTERY

- Fully charge the battery for storage.
- After a period of time in storage, battery may require recharging.
- To help prevent corrosion and power leakage during long periods of storage, battery cables should be disconnected and battery cleaned thoroughly (see "TO CLEAN BATTERY AND TERMINALS" in the Customer Responsibilities section of this manual).
- After cleaning, leave cables disconnected and place cables where they cannot come in contact with battery terminals.
- Be sure battery drain tube is securely attached.

ENGINE FUEL SYSTEM

IMPORTANT: IT IS IMPORTANT TO PREVENT GUM DEPOSITS FROM FORMING IN ESSENTIAL FUEL SYSTEM PARTS SUCH AS CARBURETOR, FUEL FILTER, FUEL HOSE, OR TANK DURING STORAGE. ALSO, EXPERIENCE INDICATES THAT ALCOHOL BLENDED FUELS (CALLED GASOHOL OR USING ETHANOL OR METHANOL) CAN ATTRACT MOISTURE WHICH LEADS TO SEPARATION AND FORMATION OF ACIDS DURING STORAGE. ACIDIC GAS CAN DAMAGE THE FUEL SYSTEM OF AN ENGINE WHILE IN STORAGE.

- Drain the fuel tank.
- Start the engine and let it run until the fuel lines and carburetor are empty.
- Never use engine or carburetor cleaner products in the fuel tank or permanent damage may occur.
- Use fresh fuel next season.

NOTE: Fuel stabilizer is an acceptable alternative in minimizing the formation of fuel gum deposits during storage. Add stabilizer to gasoline in fuel tank or storage container. Always follow the mix ratio found on stabilizer container. Run engine at least 10 minutes after adding stabilizer to allow the stabilizer to reach the carburetor. Do not drain the gas tank and carburetor if using fuel stabilizer.

ENGINE OIL

Drain oil (with engine warm) and replace with clean engine oil. (See "ENGINE" in the Customer Responsibilities section of this manual).

CYLINDERS

- Remove spark plug(s).
- Pour one ounce of oil through spark plug hole(s) into cylinder(s).
- Turn ignition key to "START" position for a few seconds to distribute oil.
- Replace with new spark plug(s).

OTHER

- Do not store gasoline from one season to another.
- Replace your gasoline can if your can starts to rust. Rust and/or dirt in your gasoline will cause problems.
- If possible, store your unit indoors and cover it to give protection from dust and dirt.
- Cover your unit with a suitable protective cover that does not retain moisture. Do not use plastic. Plastic cannot breathe which allows condensation to form and will cause your unit to rust.

IMPORTANT: NEVER COVER TRACTOR WHILE ENGINE AND EXHAUST ARE STILL WARM.

TROUBLESHOOTING POINTS

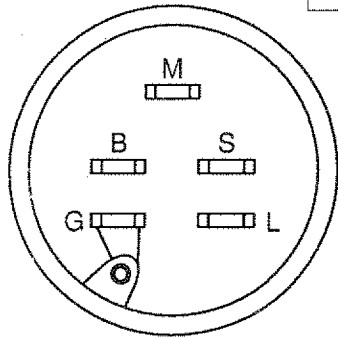
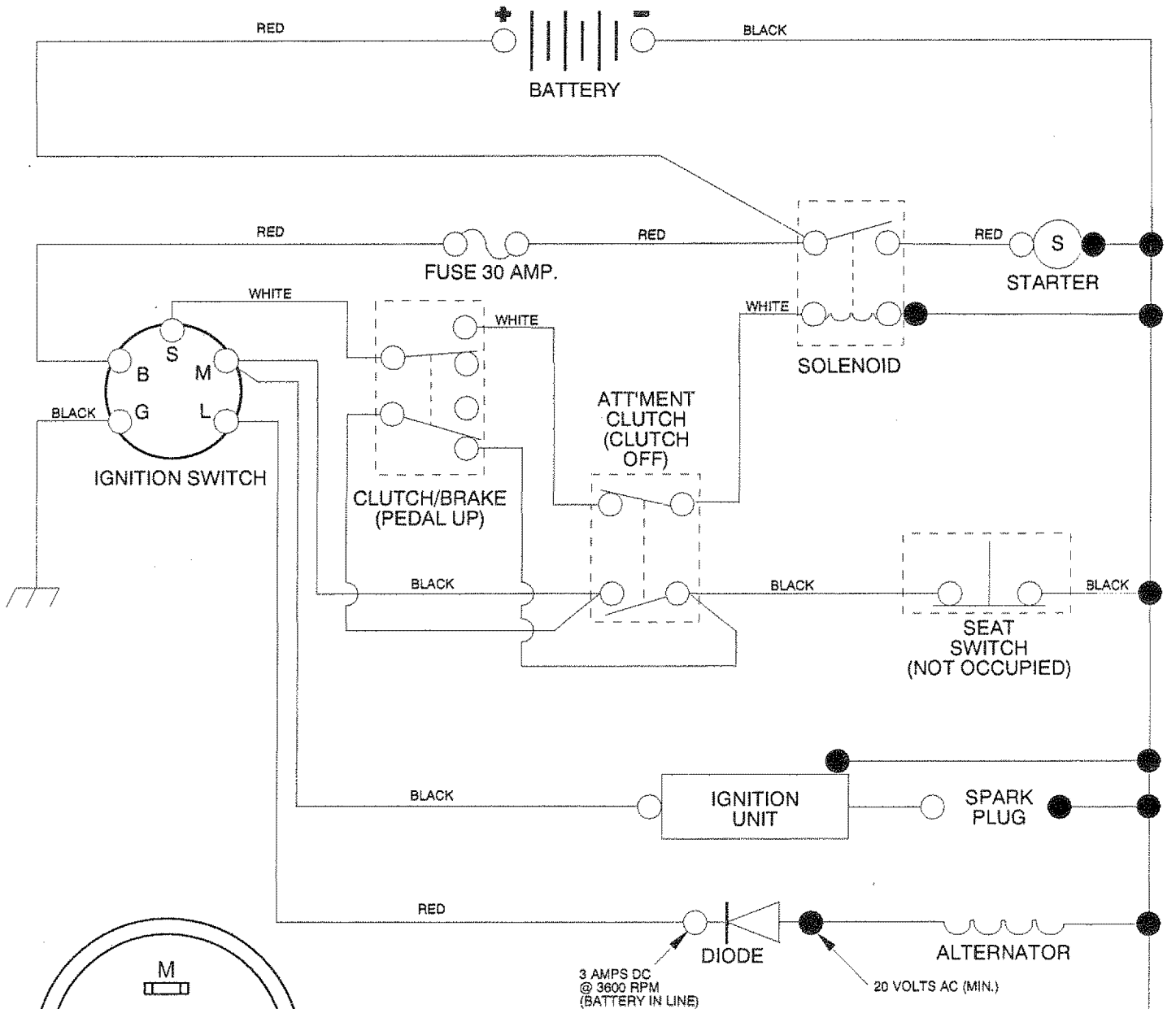
PROBLEM	CAUSE	CORRECTION
Will not start	<ol style="list-style-type: none"> 1. Out of fuel. 2. Engine not "CHOKED" properly. 3. Engine flooded. 4. Bad spark plug. 5. Dirty air filter. 6. Dirty fuel filter. 7. Water in fuel. 8. Loose or damaged wiring. 9. Carburetor out of adjustment. 10. Engine valves out of adjustment. 	<ol style="list-style-type: none"> 1. Fill fuel tank. 2. See TO START ENGINE in Operation section. 3. Wait several minutes before attempting to start. 4. Replace spark plug. 5. Clean/replace air filter. 6. Replace fuel filter. 7. Drain fuel tank and carburetor, refill tank with fresh gasoline and replace fuel filter. 8. Check all wiring. 9. Contact Sears Service Department. 10. Contact Sears Service Department.
Hard to start	<ol style="list-style-type: none"> 1. Dirty air filter. 2. Bad spark plug. 3. Weak or dead battery. 4. Dirty fuel filter. 5. Stale or dirty fuel. 6. Loose or damaged wiring. 7. Carburetor out of adjustment. 8. Engine valves out of adjustment. 	<ol style="list-style-type: none"> 1. Clean/replace air filter. 2. Replace spark plug. 3. Recharge or replace battery. 4. Replace fuel filter. 5. Drain fuel tank and refill with fresh gasoline. 6. Check all wiring. 7. Contact Sears Service Department. 8. Contact Sears Service Department.
Engine will not turn over	<ol style="list-style-type: none"> 1. Clutch/brake pedal not depressed. 2. Attachment clutch is engaged. 3. Spark plug wire is disconnected. 4. Weak or dead battery. 5. Blown fuse. 6. Corroded battery terminals. 7. Loose or damaged wiring. 8. Faulty ignition switch. 9. Faulty solenoid or starter. 10. Faulty operator presence switch(es). 	<ol style="list-style-type: none"> 1. Depress clutch/brake pedal. 2. Disengage attachment clutch. 3. Connect wire to spark plug. 4. Recharge or replace battery. 5. Replace fuse. 6. Clean battery terminals. 7. Check all wiring. 8. Check/replace ignition switch. 9. Check/replace solenoid or starter. 10. Contact Sears Service Department.
Engine clicks but will not start	<ol style="list-style-type: none"> 1. Weak or dead battery. 2. Corroded battery terminals. 3. Loose or damaged wiring. 4. Faulty solenoid or starter. 	<ol style="list-style-type: none"> 1. Recharge or replace battery. 2. Clean battery terminals. 3. Check all wiring. 4. Check/replace solenoid or starter.
Loss of power	<ol style="list-style-type: none"> 1. Cutting too much grass/too fast. 2. Throttle in "CHOKE" position. 3. Build-up of grass, leaves and trash under mower. 4. Dirty air filter. 5. Low oil level/dirty oil. 6. Faulty spark plug. 7. Dirty fuel filter. 8. Stale or dirty fuel. 9. Water in fuel. 10. Spark plug wire loose. 11. Dirty engine air screen/fins. 12. Dirty/clogged muffler. 13. Loose or damaged wiring. 14. Carburetor out of adjustment. 15. Engine valves out of adjustment. 	<ol style="list-style-type: none"> 1. Set in "Higher Cut" position/reduce speed. 2. Adjust throttle control. 3. Clean underside of mower housing. 4. Clean/replace air filter. 5. Check oil level/change oil. 6. Clean and regap or change spark plug. 7. Replace fuel filter. 8. Drain fuel tank and refill with fresh gasoline. 9. Drain fuel tank and carburetor, refill tank with fresh gasoline and replace fuel filter. 10. Connect and tighten spark plug wire. 11. Clean engine air screen/fins. 12. Clean/replace muffler. 13. Check all wiring. 14. Contact Sears Service Department. 15. Contact Sears Service Department.
Excessive vibration	<ol style="list-style-type: none"> 1. Worn, bent or loose blade. 2. Bent blade mandrel. 3. Loose/damaged part(s). 	<ol style="list-style-type: none"> 1. Replace blade. Tighten blade bolt. 2. Replace blade mandrel. 3. Tighten loose part(s). Replace damaged parts.

TROUBLESHOOTING POINTS

PROBLEM	CAUSE	CORRECTION
Engine continues to run when operator leaves seat with attachment clutch engaged	<ol style="list-style-type: none"> 1. Faulty operator-safety presence control system. 	<ol style="list-style-type: none"> 1. Check wiring, switches and connections. If not corrected, contact Sears Service Department.
Poor cut - uneven	<ol style="list-style-type: none"> 1. Worn, bent or loose blade. 2. Mower deck not level. 3. Buildup of grass, leaves, and trash under mower. 4. Bent blade mandrel. 	<ol style="list-style-type: none"> 1. Replace blade. Tighten blade bolt. 2. Level mower deck. 3. Clean underside of mower housing. 4. Replace blade mandrel.
Mower blades will not rotate	<ol style="list-style-type: none"> 1. Obstruction in clutch mechanism. 2. Worn/damaged mower drive belt. 3. Frozen idler pulley. 4. Frozen blade mandrel. 	<ol style="list-style-type: none"> 1. Remove obstruction. 2. Replace mower drive belt. 3. Replace idler pulley. 4. Replace blade mandrel.
Poor grass discharge	<ol style="list-style-type: none"> 1. Engine speed too slow. 2. Travel speed too fast. 3. Wet grass. 4. Mower deck not level. 5. Low/uneven tire air pressure. 6. Worn, bent or loose blade. 7. Buildup of grass, leaves and trash under mower. 8. Mower drive belt worn. 9. Blades improperly installed. 10. Improper blades used. 	<ol style="list-style-type: none"> 1. Place throttle control in "FAST" position. 2. Shift to slower speed. 3. Allow grass to dry before mowing. 4. Level mower deck. 5. Check tires for proper air pressure. 6. Replace/sharpen blade. Tighten blade bolt. 7. Clean underside of mower housing. 8. Replace mower drive belt. 9. Reinstall blades sharp edge down. 10. Replace with blades listed in this manual.
Headlight(s) not working (if so equipped)	<ol style="list-style-type: none"> 1. Switch is "OFF". 2. Bulb(s) burned out. 3. Faulty light switch. 4. Loose or damaged wiring. 5. Blown fuse. 	<ol style="list-style-type: none"> 1. Turn switch "ON". 2. Replace bulb(s). 3. Check/replace light switch. 4. Check wiring and connections. 5. Replace fuse.
Battery will not charge	<ol style="list-style-type: none"> 1. Bad battery cell(s). 2. Poor cable connections. 3. Faulty regulator (if so equipped). 4. Faulty alternator. 	<ol style="list-style-type: none"> 1. Replace battery. 2. Check/clean all connections. 3. Replace regulator. 4. Replace alternator.
Tractor "creeps" with motion control lever in "neutral" position	<ol style="list-style-type: none"> 1. Motion control lever is out of adjustment. 	<ol style="list-style-type: none"> 1. Adjust motion control lever.

12.5 HP 38" RIDING LAWN TRACTOR - - MODEL NUMBER 917.255590

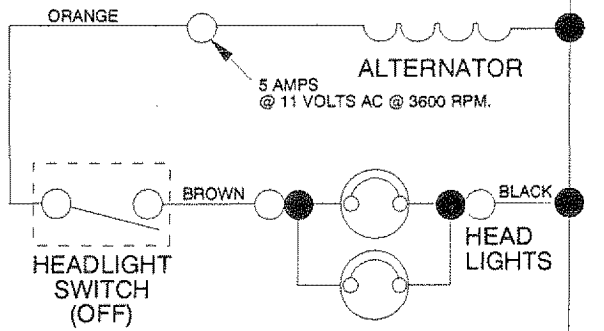
SCHEMATIC



IGNITION SWITCH

POSITION	CIRCUIT
OFF	M + G
ON	B + L
START	B + S

NOTE
 YOUR TRACTOR IS EQUIPPED WITH A SPECIAL ALTERNATOR SYSTEM. THE LIGHTS ARE NOT CONNECTED TO THE BATTERY, BUT HAVE THEIR OWN ELECTRICAL SOURCE. BECAUSE OF THIS, THE BRIGHTNESS OF THE LIGHTS WILL CHANGE WITH ENGINE SPEED. AT IDLE THE LIGHTS WILL DIM. AS THE ENGINE IS SPEEDED UP, THE LIGHTS WILL BECOME THEIR BRIGHTEST.



WIRING INSULATED CLIPS

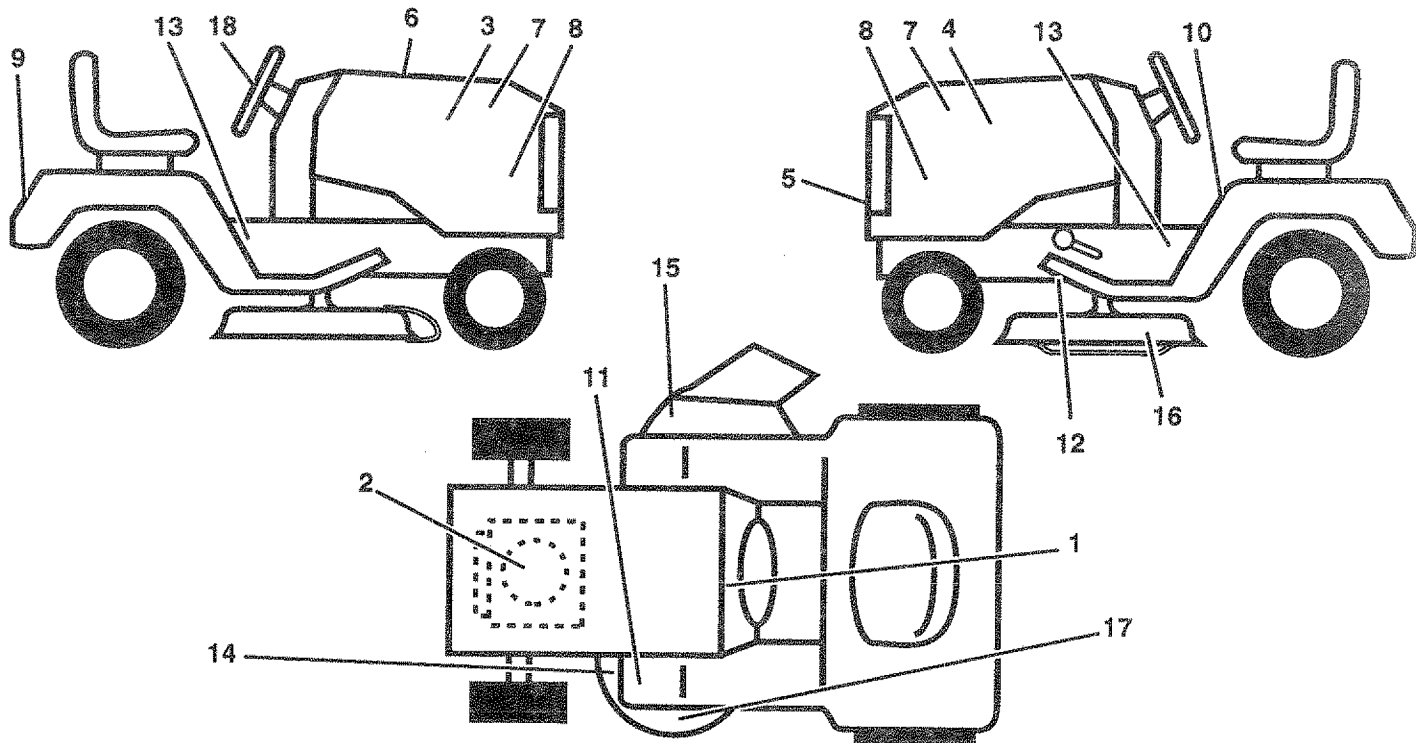
NOTE: If wiring insulated clips were removed for servicing of unit, they should be replaced to properly secure your wiring.

● NON-REMOVABLE CONNECTIONS ○ REMOVABLE CONNECTIONS

REPAIR PARTS

12.5 HP 38" RIDING LAWN TRACTOR - - MODEL NUMBER 917.255590

DECALS



KEY PART NO. NO.

DESCRIPTION

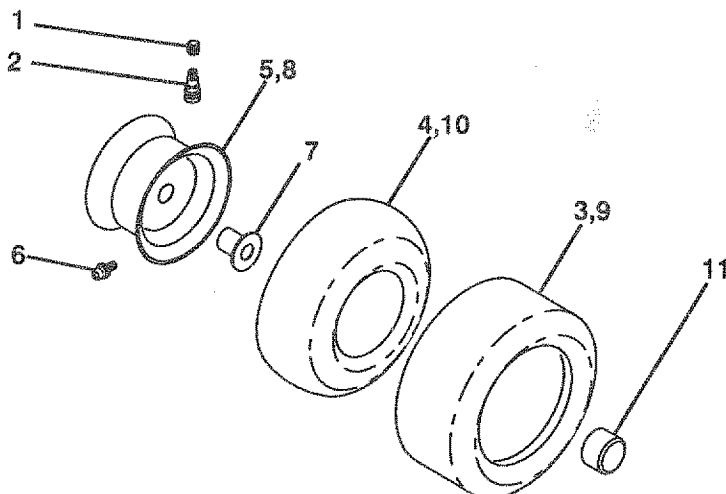
1	108456X	Decal Instruction Operat Eng
2	127908	Decal Eng 12 5hp Ic Gold Craft
3	124489X	Decal Hood Slope Rh Craftsman
4	124490X	Decal Hood Slope Lh Craftsman
5	132674	Decal Grille Lt4000 Craft Usa
6	133644	Decal Maint Customer Sears Dom
7	128235	Decal Panel Side l/c Gold/blk
8	108631X	Decal ll(die Cut)
9	125880X	Decal Fender Craftsman Red

KEY PART NO. NO.

DESCRIPTION

10	106974X	Decal Caution English
11	4900J	Decal Clutch/brake English
12	121215X	Decal V-belt Sch Tractor Eng
13	120166X	Decal Chassis 38" Hydro
14	130929	Decal Mower Drive Schematic 38
15	121343X	Decal Danger English
16	3713J	Decal Rota Blades English
17	133179	Decal Mower Qc System
18	132267	Decal Insr Wh Strg Crafts Usa
19	133216	Manual Owners 255590 Eng

WHEELS AND TIRES



KEY PART NO. NO.

DESCRIPTION

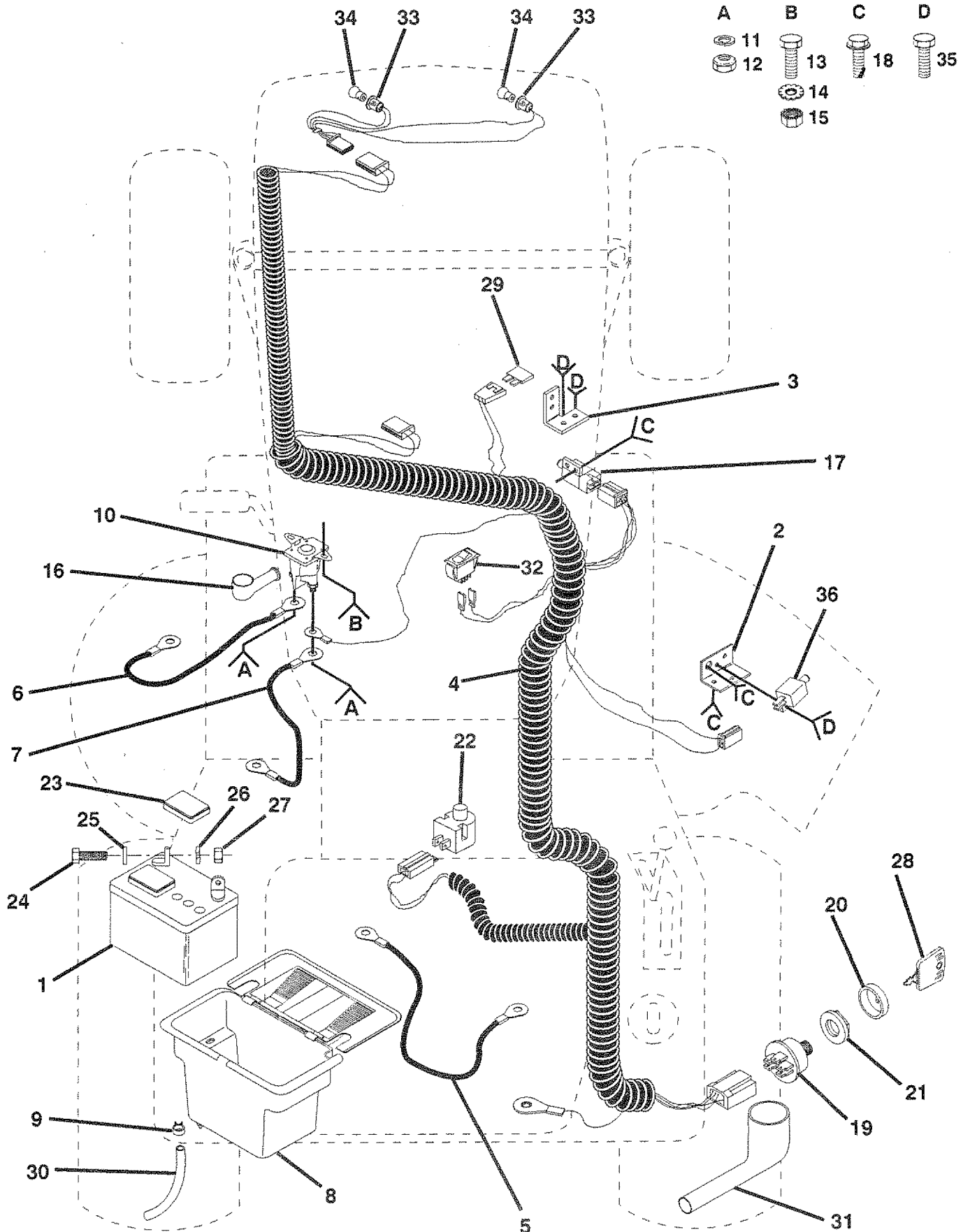
1	59192	Cap Value Tire
2	65139	Stem Value
3	106222X	Tire F Ts 15 X 6 0 - 6 Service
4	59904	Tube Front (Service Item Only)
5	106732X361	Rim Asm 6"front Silver Service
6	278H	Fitting Grease (Front Wheel Only)
7	9040H	Bearing Flange (Front Wheel Only)
8	106108X361	Rim Asm 8"rear Silver Service
9	3588R	Tire R Ts 18x8 5-8 S Service
10	7152J	Tube Rear (Service Item Only)
11	104757X	Cap Axle Blk 1 50 X 1 00

NOTE: All component dimensions given in U.S. inches
1 inch = 25.4 mm

REPAIR PARTS

12.5 HP 38" RIDING LAWN TRACTOR - - MODEL NUMBER 917.255590

ELECTRICAL



REPAIR PARTS

12.5 HP 38" RIDING LAWN TRACTOR - - MODEL NUMBER 917.255590

ELECTRICAL

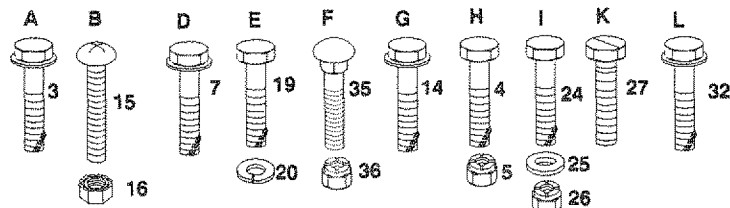
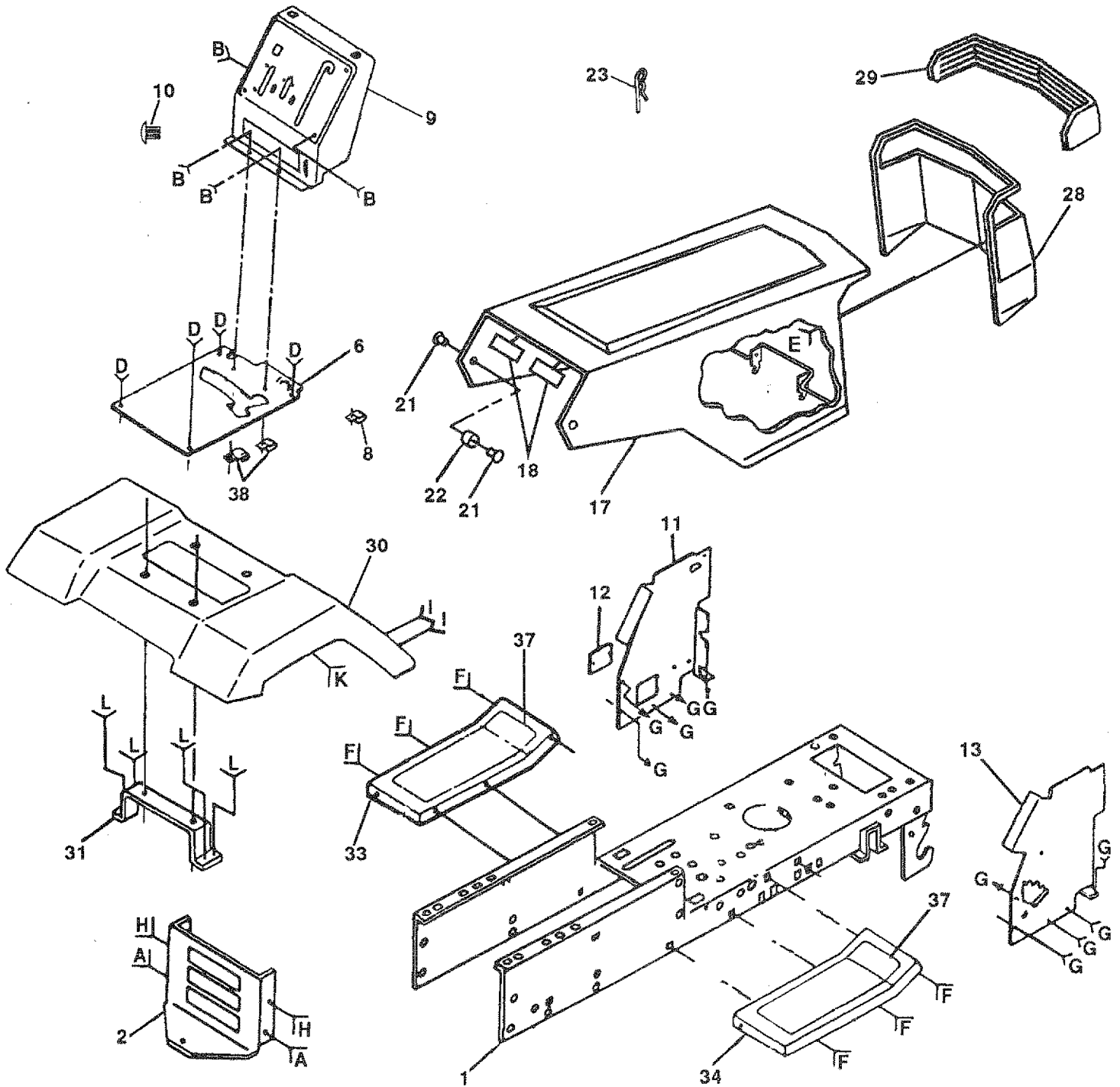
KEY PART NO.	NO.	DESCRIPTION
1	126664X	Battery 12v 25amp Lt Hyd Craft
2	130890	Bracket Switch Interlock
3	108236X	Bracket Switch Clutch
4	128369	Harness Ign B&s Fender HI
5	4207J	Cable Ground 6ga 12"black
6	132202	Cable Battery 6 Ga 42"red
7	4799J	Cable Battery 6ga 11"red
8	129965	Case Battery Hinge Mechanical
9	109596X	Clamp Hose Olive
10	109081X	Solenoid
11	STD551125	* Lockwasher
12	73350400	Nut Jam Hex 1/4-20 Unc
13	74780408	Bolt Fin Hex 1/4-20uncx1/2 Gr5
14	STD551225	* Washer
15	STD541425	* Nut
16	131563	Cover Terminal Red
17	109553X	Switch Intlk Clutch Red 4 Term
18	STD601005	* Screw
19	STD365402	* Starter Swtch
20	123620X	Cover Sw Key Blk 1 25 Text Slit
21	124211X	Nut Ignition
22	121305X	Switch Plunger Nc Gray
23	121264X	Caps Battery 25/30 Amp
24	74760412	Bolt Hex Hd 1/4-20unc X 3/4
25	STD551025	* Washer
26	STD551125	* Washer
27	STD541025	* Nut
28	109310X	Key Ign Molded Craftsman
29	108824X	Fuse 30 Amp Auto Green
30	105687X	Tube Plastic 9"
31	124083X	Cover Sw Ign Blk 6 00 X 1 580
32	110712X	Switch Light Blk Blk Red
33	127441X	Harness Socket Light
34	7662J	Bulb Light #1141
35	STD601005	* Screw
36	104445X	Interlock Switch

* STANDARD HARDWARE - - PURCHASE LOCALLY
NOTE: All component dimensions given in U.S. inches
1 inch = 25.4 mm

REPAIR PARTS

12.5 HP 38" RIDING LAWN TRACTOR -- MODEL NUMBER 917.255590

CHASSIS AND ENCLOSURES



REPAIR PARTS

12.5 HP 38" RIDING LAWN TRACTOR - - MODEL NUMBER 917.255590

CHASSIS AND ENCLOSURES

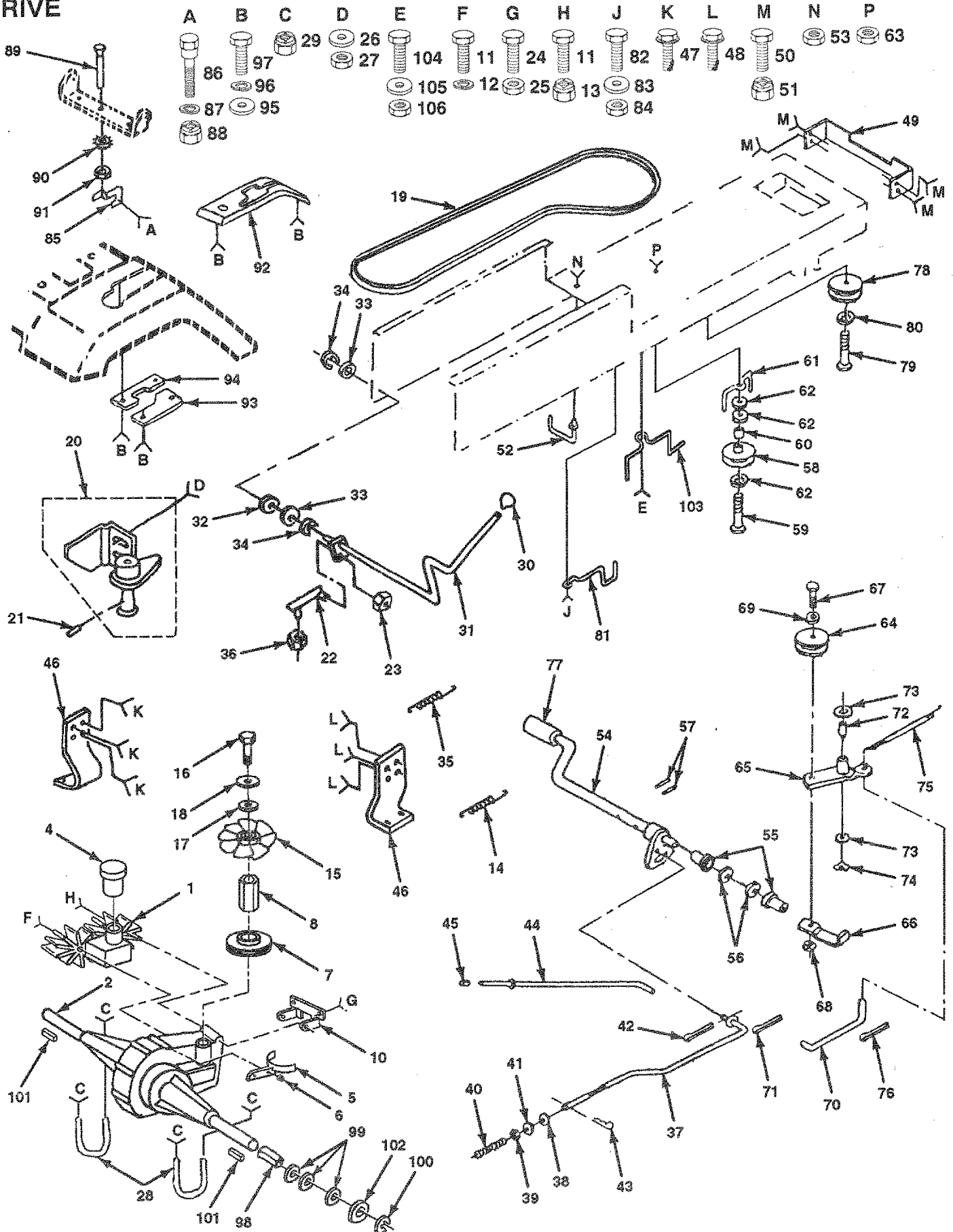
KEY PART NO.	NO.	DESCRIPTION
1	131050	Chassis Wldmt Lt/hyd/fen 38 42
2	127866	Drawbar Lt/yt 11 Ga
3	17490612	Screw Thdrol 3/8-16x3/4 Ty-tt
4	STD523707	* Bolt
5	STD541437	* Nut
6	126595X010	Saddle Silkscreened
7	17490608	Screw Thdrol 3/8-16x1/2 Ty-tt
8	2751R	Clip Line Fuel 13/32 Mtg Hole
9	126604X010	Dash Silkscreened Sears Eng
10	5479J	Plug Button Blk 359 Dia
11	122795X	Panel Pnt Dash Lh
12	121794X	Cover Access Black Square
13	124031X012	Panel Silkscr Dash Rh Weldment
14	17490612	Screw Thdrol 3/8-16x3/4 Ty-tt
15	74180512	Screw Mach Trhd 5/16-18uncx3/4
16	STD541431	* Nut
17	131445X417	Hood Asm Pnt Weld Silver Powde
18	126938X	Bumper Hood
19	STD512505	* Screw
20	STD551125	* Washer
21	122933X	Rivet Ratchet Nylon
22	124479X	Washer Nylon Blk 28x 75x 19
23	4921H	Retainer Spring
24	STD523707	* Bolt
25	19131312	Washer 13/32 X 13/16 X 12 Ga
26	STD541437	* Nut
27	17490608	Screw Thdrol 3/8-16x1/2 Ty-tt
28	123915X	Grille Grey
29	124029X	Lens Headlight Bar Clear
30	126599X417	Fender Pnt
31	109873X	Bracket Pnt Fender
32	17490612	Screw Thdrol 3/8-16x3/4 Ty-tt
33	105465X417	Footrest Pnt Lh (silver)
34	105464X417	Footrest Pnt Rh (silver)
35	STD533707	* Bolt
36	STD541437	* Nut
37	105466X	Pad Footrest Rbr Sq Craftsman
38	126471X	Clip Insulated 406 Mtg Hole

* STANDARD HARDWARE - - PURCHASE LOCALLY
NOTE: All component dimensions given in U.S. inches
1 inch = 25.4 mm

REPAIR PARTS

12.5 HP 38" RIDING LAWN TRACTOR - - MODEL NUMBER 917.255590

DRIVE



REPAIR PARTS

12.5 HP 38" RIDING LAWN TRACTOR - - MODEL NUMBER 917.255590

DRIVE

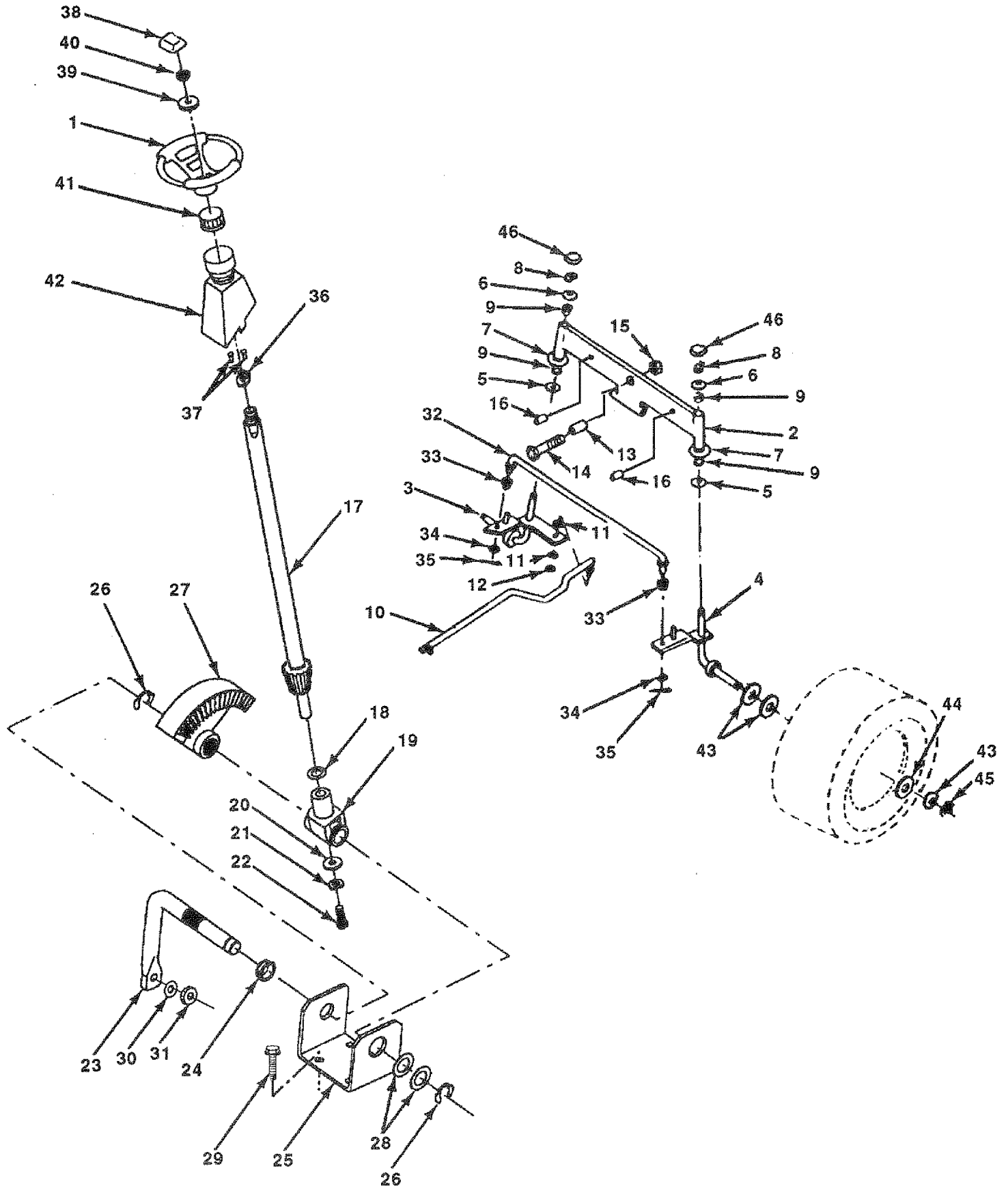
KEY PART NO. NO.	DESCRIPTION	KEY PART NO. NO.	DESCRIPTION
1	121430X Pump Hydro Sunstrand	56	STD551062 * Washer
2	121431X Transaxle Asm	57	STD571810 * Roll Pin
4	121323X Pump Reservoir	58	123674X Pulley Idler Flat
5	126581X Keeper Asm Belt Transaxle	59	STD523727 * Bolt
6	73680400 Nut Crownlock 1/4-20 Unc	60	4470J Spacer Split 395 X 59 Bzp
7	126579X Pulley Input	61	109070X Keeper Belt Retainer
8	121211X Spacer Stand-off Hydro Fan Zin	62	19131312 Washer 13/32 X 13/16 X 12 Ga
10	121188X Bracket Pnt Mtg Differential	63	STD541437 * Nut
11	STD523145 * Bolt	64	127783 Pulley Idler V Groove Plastic
12	STD551131 * Lockwasher	65	123789X Bellcrank Asm
13	STD541431 * Nut	66	123205X Retainer Belt Style Spring
14	110422X Spring Return Brake T/a Zinc	67	STD523715 * Bolt
15	126578X Fan Hydro 7"	68	STD541437 * Nut
16	STD522507 * Screw	69	STD551037 * Washer
17	19092016 Washer 9/32 X 1-1/4 X 16ga	70	105710X Link Clutch 7 66
18	STD551125 * Washer	71	STD561210 * Pin
19	126576X V Belt Ground Drive 81 20	72	105706X Bearing Nyl 503 X 628 X 1 25
20	126912X Pack Asm Friction	73	110812X Washer Hardened
21	126655X Pin Roll 198 X 866	74	12000039 Ring Klip #t5304-50
22	126589X Rod Control Ball J Solid 2 166	75	105709X Spring Return Clutch 6 75
23	73040400 Hex Flange 1/4-28 Unf	76	STD561210 * Pin
24	STD523707 * Bolt	77	8883R Cover Pedal Blk Std
25	STD541437 * Nut	78	131002 Pulley Engine
26	STD551025 * Washer	79	71130720 Bolt Finhex 7/16-20unfx1-1/4g8
27	STD541437 * Nut	80	STD551143 * Washer
28	121189X Bolt U 3/8-16 X 2 83	81	129921 Keeper Belt Engine Lh Lt
29	STD541437 * Nut	82	STD523710 * Bolt
30	106933X Knob Rd 1/2-13 Plstc Thds Blk	83	19132012 Washer 13/32 X 1-1/4 X 12 Ga
31	126592X Lever Asm Pnt Control	84	STD541437 * Nut
32	126590X Bushing T/a W/ 120 Step Pm	85	126575X Arm Pnt Control Lt Hydro
33	126591X Washer Shim 53 X 1 25 X 0598	86	7605J Bolt Shoulder 1/4 X 20 Unc
34	STD581050 * E Ring	87	110739X Washer Spring Oiled
35	126910X Spring Extension 3 250 Blk	88	73680400 Nut Crownlock 1/4-20 Unc
36	73040400 Hex Flange 1/4-28 Unf	89	126654X Control Bypass
37	132654 Rod Brake 21 670 Blk Zinc Hydr	90	STD551237 * Washer
38	STD541437 * Locknut	91	73610600 Nut Fin Hex 3/8-24 Unf
39	STD541237 * Nut	92	126600X Console Shift W/ign Lt Hydro
40	106888X Spring Rod Brake 2 00 Zinc	93	126597X Plate Pnt Neutral Adjust Rh
41	STD551037 * Washer	94	126598X Plate Pnt Neutral Adjust Lh
42	4921H Retainer Spring	95	STD551025 * Washer 17/64
43	STD624003 * Retainer	96	STD551125 * Washer
44	128904 Rod Brake Parking Lt	97	STD512505 * Screw
45	124236X Cap Parking Brake Red	98	121199X Spacer Split 80x1 70 Cad/zinc
46	126649X Bracket Transaxle	99	121749X Washer 25/32 X 1 1/4 X 16 Ga
47	17490616 Screw Thdrol 3/8-16 X 1 Ty-tt	100	STD581075 * E Ring
48	17490612 Screw Thdrol 3/8-16x3/4 Ty-tt	101	123583X Key Square 2 0 X 1845/ 1865
49	121187X Bracket Mounting Hydro T/a	102	121748X Washer 25/32 X 1 5/8 X 16ga
50	STD523707 * Bolt	103	131402 Guide Belt Dr Mower Rh
51	STD541437 * Nut	104	STD523710 * Bolt
52	126577X Keeper Span Center Lt Hyd Zinc	105	19132012 Washer 13/32 X 1-1/4 X 12 Ga
53	STD541437 * Nut	106	STD541437 * Nut
54	122424X Shaft Asm Pedal Foot 1 930		
55	120183X Bearing Nylon Blk 629 Id		

* STANDARD HARDWARE - - PURCHASE LOCALLY
NOTE: All component dimensions given in U.S. inches
 1 inch = 25.4 mm

REPAIR PARTS

12.5 HP 38" RIDING LAWN TRACTOR - - MODEL NUMBER 917.255590

STEERING ASSEMBLY



REPAIR PARTS

12.5 HP 38" RIDING LAWN TRACTOR - - MODEL NUMBER 917.255590

STEERING ASSEMBLY

KEY PART NO.	NO.	DESCRIPTION
1	100713N	Wheel Steering Std Black
2	105669X	Axle Asm Front
3	130460	Spindle Asm Lh
4	130459	Spindle Asm Rh
5	6266H	Bearing Race Thrust Harden
6	121748X	Washer 25/32 X 1 5/8 X 16ga
7	19272016	Washer 27/32 X 1 1/4 X 16 Ga
8	12000029	Ring Klip #t5304-75
9	3366R	Bearing Col Strg Blk
10	130468	Link Drag Sol Ball Jt 20 064
11	STD551137	* Lockwasher
12	73610600	Nut Fin Hex 3/8-24 Unf
13	110438X	Spacer Bearing Axle Front
14	74011056	Bolt Hex 5/8-11 Unc X 3-1/2
15	73601000	Nut Hex Jam Lk W/wh 5/8-11 Unc
16	132624	Pin Axle 5/8 X 1 55/1 54 Lg
17	132614	Shaft Asm Strg 5/8 X 15 19 Lt
18	57079	Washer Thrust 515x 750x 033
19	124035X	Support Shaft
20	126684X	Washer Shim 1/4 X 5/8 X 062
21	STD551125	* Washer
22	71070410	Screw Hex Socket 1/4-20 X 5/8
23	127501	Shaft Asm Pittman
24	109816X	Nyliner Snap In
25	124036X	Bracket Steering
26	12000029	Ring Klip #t5304-75
27	124034X	Gear Sector
28	6266H	Bearing Race Thrust Harden
29	17490612	Screw Thdrol 3/8-16x3/4 Ty-tt
30	STD551137	* Lockwasher
31	73610600	Nut Fin Hex 3/8-24 Unf
32	130465	Rod Tie Wire Form 19 75 Mech
33	120754X	Bushing Rod Tie Blk Lt
34	19131416	Washer 13/32 X 7/8 X 16ga
35	STD561210	* Pin
36	132196	Bushing Strg 5/8 Id Dash
37	STD611005	* Screw
38	100710L	Insert Cap Strg Wheel Std Blk
39	19133808	Washer 13/32 X 2-3/8 X 8 Ga
40	STD541537	* Gripco Nut
41	104820X	Adaptor Wheel Strg 640/ 635id
42	124417X	Boot Shaft Steering
43	121749X	Washer 25/32 X 1 1/4 X 16 Ga
44	121748X	Washer 25/32 X 1 5/8 X 16ga
45	12000029	Ring Klip #t5304-75
46	121232X	Cap Spindle Fr Top Blk

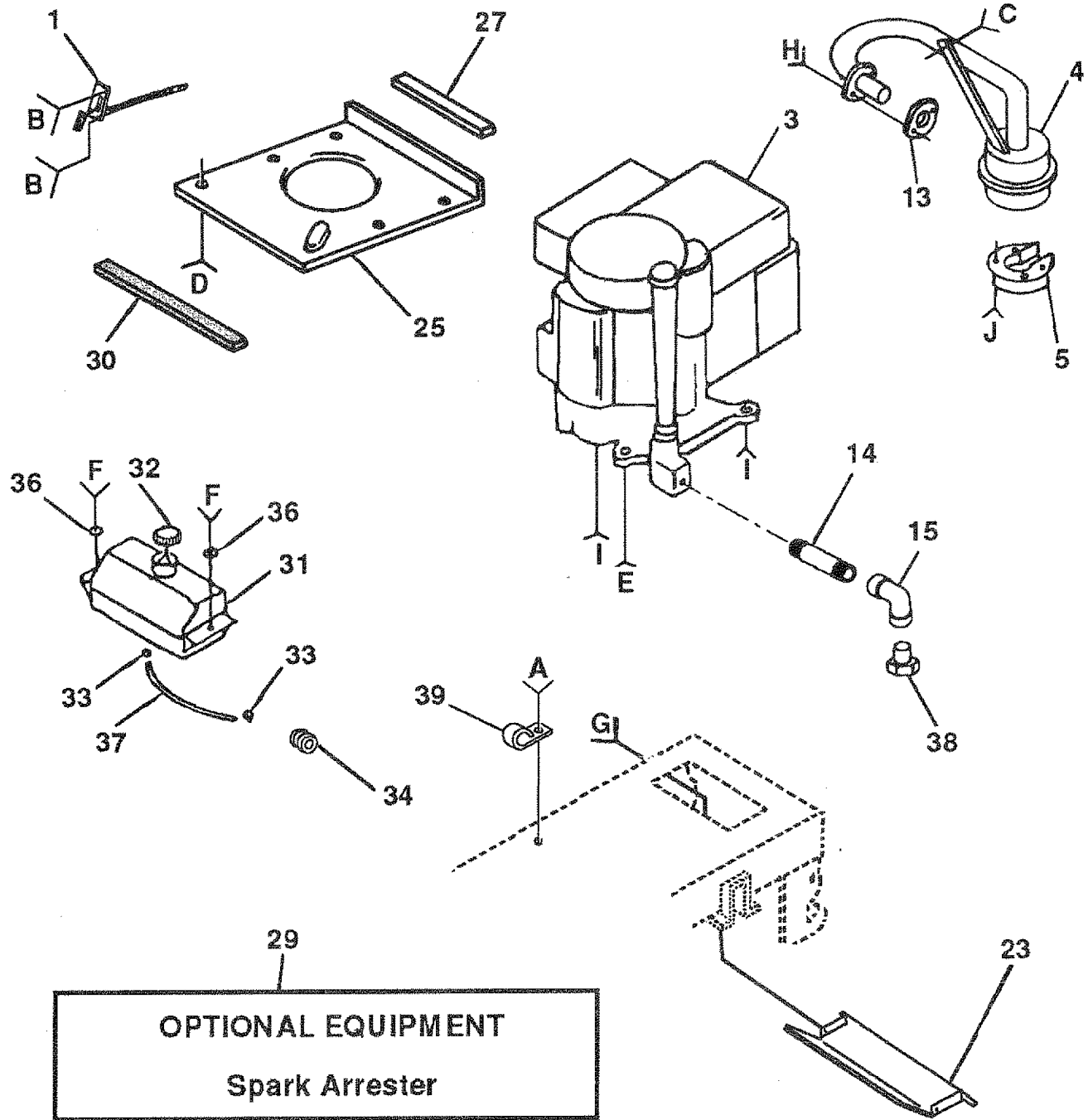
* STANDARD HARDWARE - - PURCHASE LOCALLY

NOTE: All component dimensions given in U.S. inches
1 inch = 25.4 mm

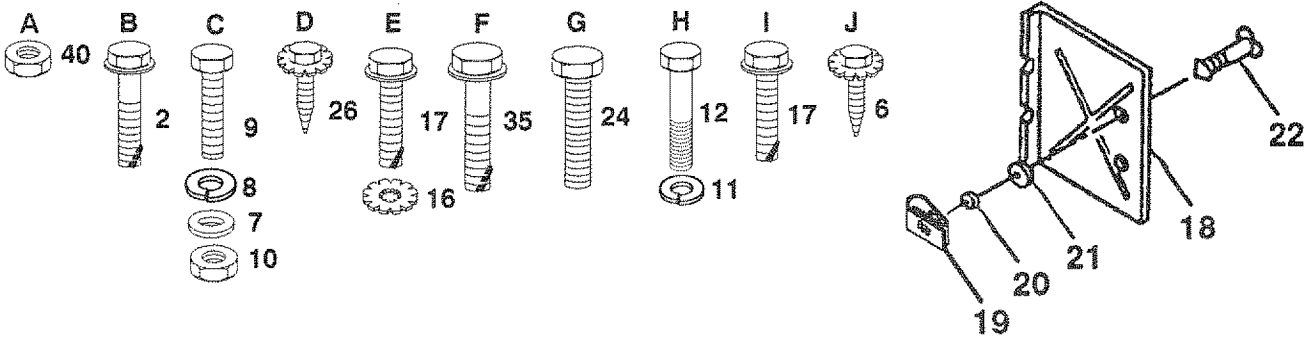
REPAIR PARTS

12.5 HP 38" RIDING LAWN TRACTOR - - MODEL NUMBER 917.255590

ENGINE



OPTIONAL EQUIPMENT
Spark Arrester



REPAIR PARTS

12.5 HP 38" RIDING LAWN TRACTOR - - MODEL NUMBER 917.255590

ENGINE

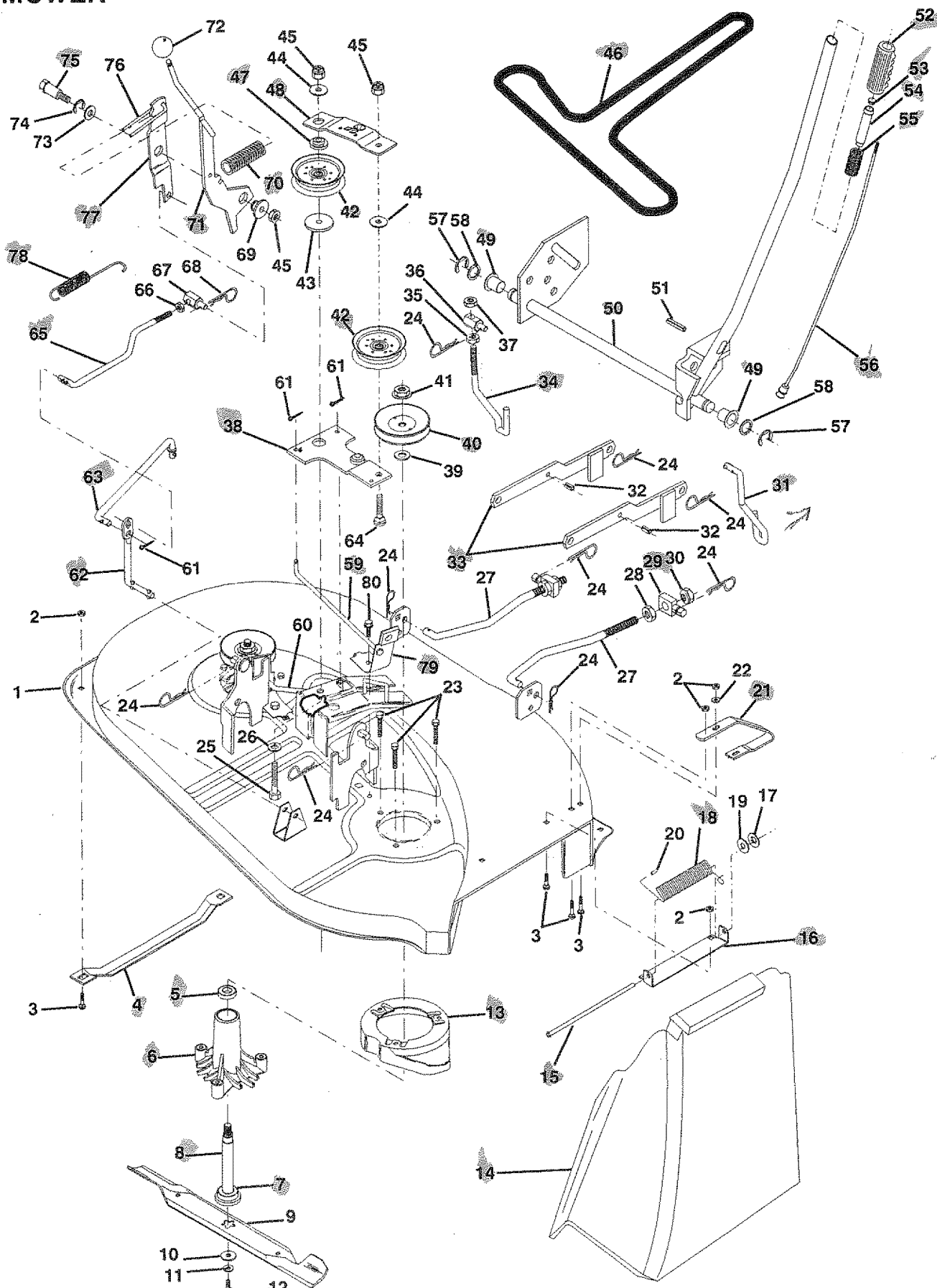
KEY PART NO.	NO.	DESCRIPTION
1	132761	Control Throt Rh Blk Pdl 14 10
2	17720410	Screw Hex Thd Cut 1/4-20x5/8 T
3	131953	Engine B&s 12 5 lcg Dual 1 Vt
4	125610X	Muffler Exhaust B&s Lt Std
5	101326L	Deflector Muffler # 222573
6	17030808	Screw Spiderloc Hexhd#8x1/2 Ab
7	STD551025	* Washer
8	STD551125	* Washer
9	STD522510	* Bolt
10	STD541031	* Nut
11	STD551131	* Lockwasher
12	71070510	Screw Hexhd Cap 5/16-18x5/8
13	125593X	Gasket 1 313 Id Tin Plated
14	13280324	Nipple Pipe 3/8 Npt X 3"
15	13200300	Elbow Std 90 Degree 3/8-18 Npt
16	STD551237	* Washer
17	17490620	* Screw Thdrol 3/8-16x1-1/4 Tytt
18	105736X	Shield Pnt Heat
19	105839X	Receptacle 1/4 Turn Dacrotized
20	105838X	Retainer 1/4 Turn 365odx 222id
21	STD551025	* Washer
22	123650X	Stud 1/4 Turn (replaces 105751
23	128953X ✓	Shield Pnt Heat Browning Grass
24	STD601005	* Screw
25	124027X	Shield Pnt Heat Hood Lt
26	17030808	Screw Spiderloc Hexhd#8x1/2 Ab
27	105037X	Strip Foam 18"
29	121851X	Arrestor Spark
30	127057X	Strap Hood
31	109202X	Tank Fuel 1 25 Fr
32	123549X	Cap Asm Fuel W/sym Vented
33	123487X	Clamp Hose Blk
34	124028X	Bushing Snap Nyl Blk Fuel Line
35	17490412	Screw Hexwsh Thdrol 1/4-20x3/4
36	19091416	Washer 9/32 X 7/8 X 16ga
37	101335K	Line Fuel 9 50"
38	---	Plug Oil Drain (Ordre From Engine Manufacturer)
39	2751R	Clip Line Fuel 13/32 Mtg Hole
40	STD541437	* Nut

* STANDARD HARDWARE - - PURCHASE LOCALLY
NOTE: All component dimensions given in U.S. inches
1 inch = 25.4 mm

REPAIR PARTS

12.5 HP 38" RIDING LAWN TRACTOR - - MODEL NUMBER 917.255590

38" MOWER



REPAIR PARTS

12.5 HP 38" RIDING LAWN TRACTOR - - MODEL NUMBER 917.255590

38" MOWER

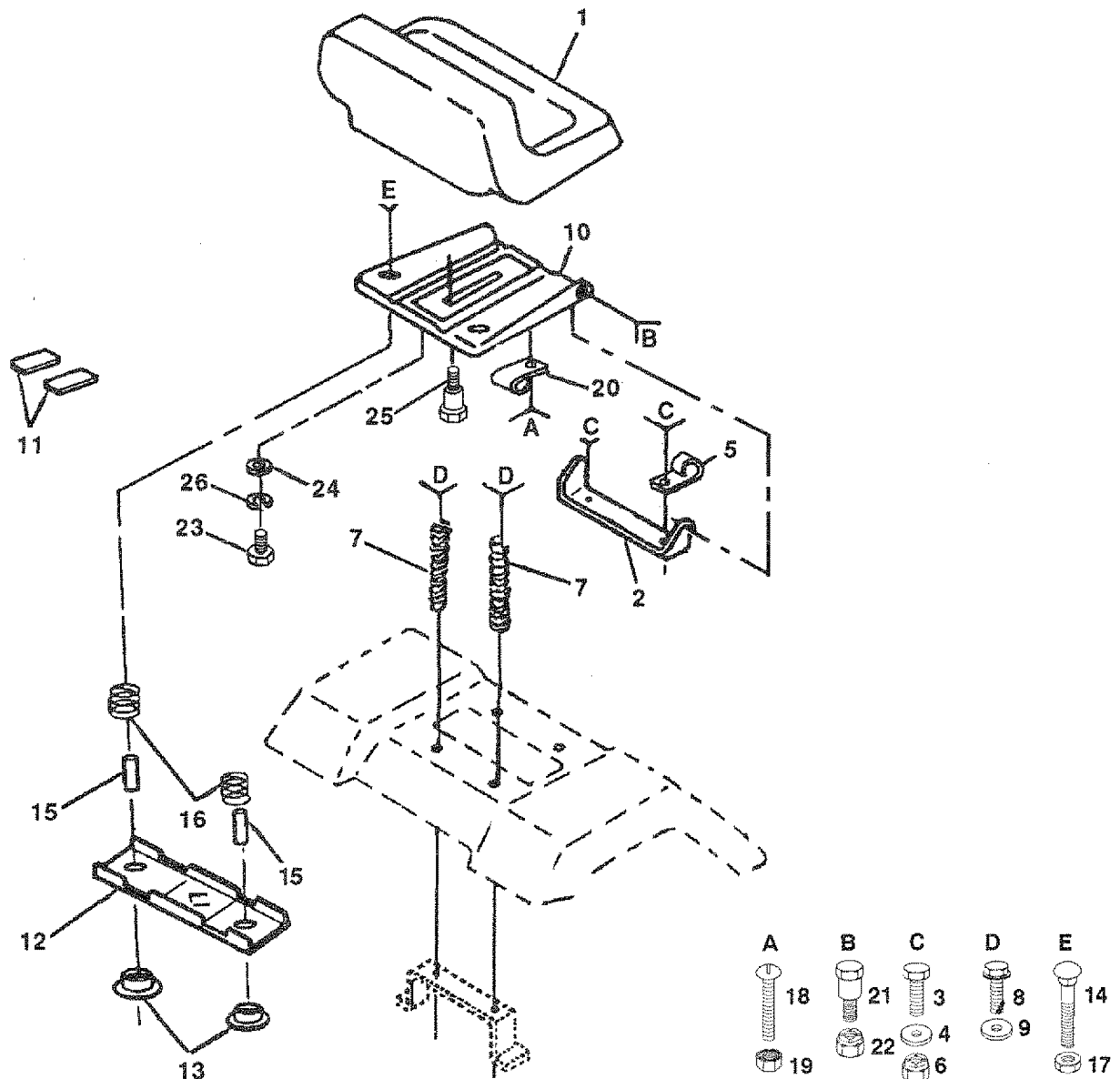
KEY NO.	PART NO.	DESCRIPTION	KEY NO.	PART NO.	DESCRIPTION
1	129365	Mower Asm 38" welded	44	19131612	Washer 13/32 x 1 x 12 Ga.
2	73680500	Nut, Crownlock 5/16-18	45	73680600	Nut, Crownlock 3/8-16
3	72140506	Bolt, Carriage 5/16-18 x 3/4	46	131290	Belt
4	7631J	Runner, L. H.	47	133502	Spacer, Retainer
5	110485X	Bearing, Ball, Mandrel	48	133503	Stiffener, Arm Idler
6	128774	Housing Asm., Mandrel Vented (machd)	49	120183X	Bearing, Nylon
7	129895	Bearing, Ball	50	122507X	Shaft Asm., Lift
8	133172	Shaft and Bearing Asm.	51	105767X	Pin, Groove
9	127842	Blade, Mower, High Performance	52	125631X	Grip, Handle
10	129962	Washer, Hard, Mower, Vented	53	122365X	Button, Plunger
11	10030600	Washer, Lock Hvy 3/8	54	122364X	Plunger, Lever
12	850857	Bolt, Blade 3/8-24 x 1-1/4 Gr. 8	55	122512X	Spring
13	128961	Stripper, Mower, Vented	56	122514X	Rod, Lever
14	106736X	Shield, Deflector	57	12000002	Ring, E
15	106735X	Rod, Hinge	58	19211416	Washer 21/32 x 7/8 x 16 Ga.
16	105896X	Bracket, Deflector, Mower	59	131288	Rod, Brake, R. H.
17	110452X	Nut, Push	60	131289	Rod, Brake, L. H.
18	106734X	Spring, Deflector	61	76020312	Pin, Cotter 3/32 x 3/4
19	19111016	Washer 11/32 x 3/4 x 16 Ga.	62	133551	Rod, Pivot
20	105304X	Cap, Sleeve	63	133504	Rod, Clutch, Secondary
21	128772	Runner, R. H.	64	72110614	Bolt, Carriage 3/8-16 x 1-3/4
22	19111216	Washer 11/32 x 3/4 x 16 Ga.	65	133550	Rod, Clutch, Primary
23	78158	Bolt, Mandrel	66	73350600	Nut, Hex Jam 3/8-16
24	4939M	Retainer, Spring	67	133205	Trunnion 3/8-16
25	74600636	Bolt, Hex Hd. 3/8-16 x 2.25	68	4497H	Retainer, Spring
26	851074	Washer, Wear 7 Ga.	69	127498	Bushing
27	127218	Link, Front	70	128759	Spring
28	73350800	Nut, Jam Hex 1/2-13	71	133573	Arm, Clutch Primary Asm.
29	130171	Trunnion	72	106932X	Knob
30	73680800	Nut, Crownlock 1/2-13	73	121748X	Washer 25/32 x 1-5/8 x 16 Ga.
31	127224	Lift, Link, R. H.	74	12000029	Ring, Klip
32	128763	Pin, Spring 5/16-3/4	75	128903	Bolt, Shoulder
33	133710	Arm, Suspension, Rear Asm.	76	127845	Keeper, Spring
34	127223	Link, Lift, R. H.	77	127847	Arm, Clutch, Secondary
35	73360700	Nut, Hex Jam ASF 7/16-20 UNF	78	131870	Spring, Return
36	110447X	Trunnion, Lift	79	130840	Brake Ass., Mower, Vented
37	73710700	Nut, Crownlock Jam 7/16-20 UNF	80	17490512	Screw, Hex, Thd. Rol. 5/16-18 x 3/4
38	133736	Idler Arm Asm.	—	131529	Deck, Complete Mower
39	129963	Washer, Spacer Mower, Vented	—	130794	Mandrel Ass. (Includes Key #'s 5-8, 10-12, 39 and 41)
40	129206	Pulley, Mandrel, Single			
41	73050900	Nut, Flangelock 9/16			
42	131494	Pulley, Idler, Flat			
43	122052X	Spacer, Retainer 1-3/4			

NOTE: All component dimensions given in U.S. inches.
1 inch = 25.4 mm

REPAIR PARTS

12.5 HP 38" RIDING LAWN TRACTOR - - MODEL NUMBER 917.255590

SEAT ASSEMBLY



KEY PART NO. NO.

DESCRIPTION

1	127437	Seat V-350 Blk/red Craftsman
2	126656X	Bracket Pnt Pivot Seat (blk)
3	STD523707	* Bolt
4	19131210	Washer 13/32 X 3/4 X 10 Ga
5	2751R	Clip Line Fuel 13/32 Mtg Hole
6	STD541437	* Nut
7	124181X	Spring Seat Cprsn 2 250 Blk Zi
8	17490616	Screw Thdrol 3/8-16 X 1 Ty-tt
9	19131614	Washer 13/32 X 1 X 14 Ga
10	124294X	Pan Pnt Seat (blk)
11	121251X	Strip Foam Gray Or Black
12	121246X	Bracket Pnt Mounting Switch
13	121248X	Bushing Snap Blk Nyl 50 Id
14	72050411	Bolt Rdhd Sht Nk 1/4-20x1-3/8
15	121249X	Spacer Split 28 X 88 Zinc

KEY PART NO. NO.

DESCRIPTION

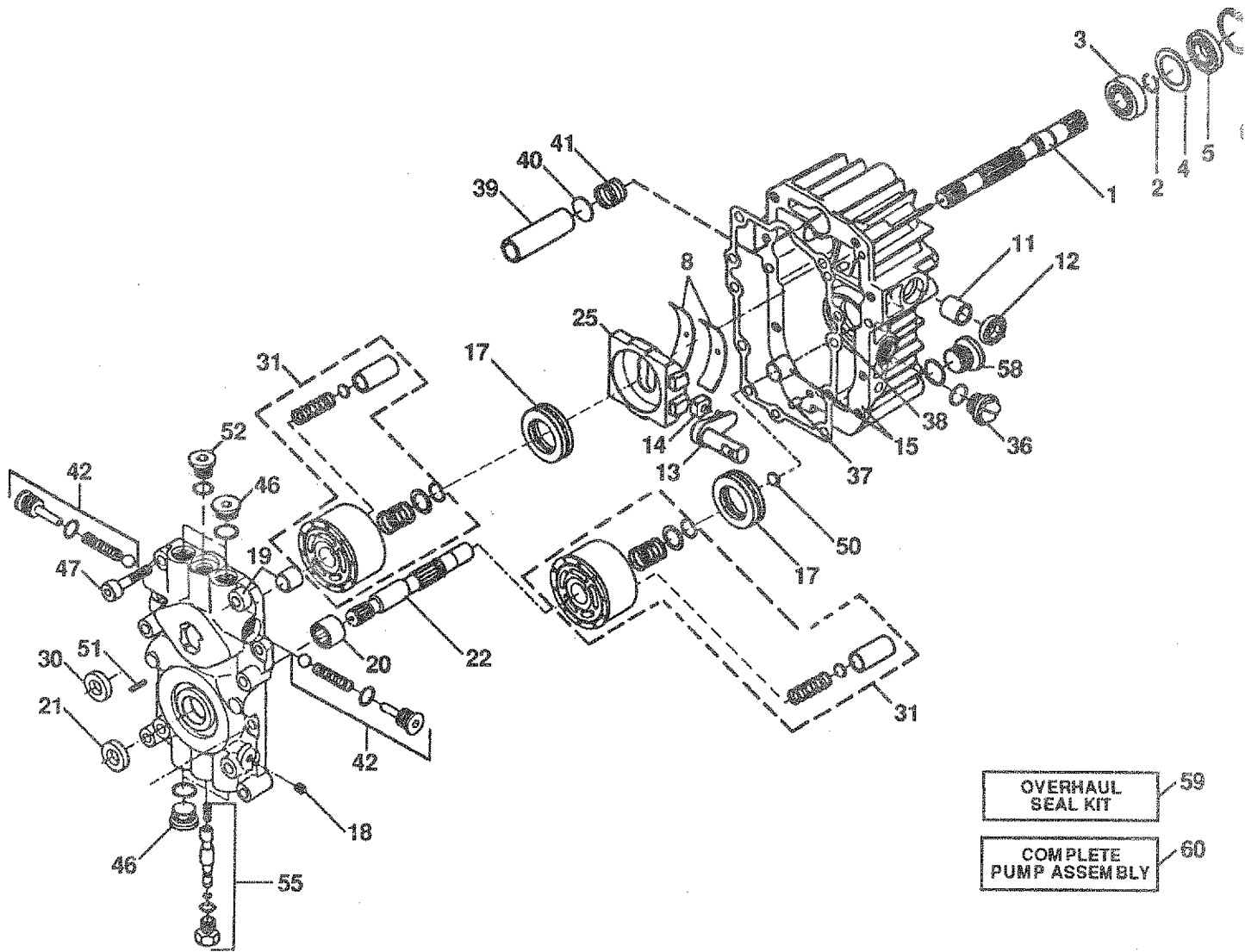
16	121250X	Spring Cprsn 1 27 Blk Pnt
17	123976X	Nut Lock 1/4 Lge Flg Gr 5 Zinc
18	STD511005	* Screw
19	73951000	Nut Keps #10-32 Unf
20	4171R	Clip Insulated 11/32 Mtg Hole
21	105529X	Bolt Shoulder 5/16-18 Unc Blkz
22	STD541431	* Nut
23	74780814	Bolt Fin Hex 1/2-13 X 7/8 Gr 5
24	19171912	Washer 17/32 X 1-3/16 X 12 Ga
25	127018X	Bolt Shoulder 5/16-18 X 62
26	STD551150	* Lockwasher

* STANDARD HARDWARE - - PURCHASE LOCALLY
NOTE: All component dimensions given in U.S. inches
 1 inch = 25.4 mm

REPAIR PARTS

12.5 HP 38" RIDING LAWN TRACTOR -- MODEL NUMBER 917.255590

SUNSTRAND PUMP ASSEMBLY - MODEL NUMBER BDU-10S



**KEY PART
NO. NO.**

DESCRIPTION

1	122756X	Shaft, Pump
2	122716X	* Ring, Retaining
3	122745X	Bearing, Ball
4	122715X	* Spacer
5	122700X	* Seal, Lip
6	122699X	* Ring, Retaining
8	122767X	Bearing, Cradle
11	122747X	Bearing, Journal
12	122717X	* Seal, Lip
13	122748X	Arm, Trunnion
14	122749X	Guide, Slot
15	127146X	Housing Kit, Transmission
17	122770X	Bearing, Thrust, Ball
18	122771X	Plug, Pipe
19	127147X	Center Section Kit
20	122773X	Bearing, Needle
21	122722X	* Seal, Lip
22	122750X	Shaft, Motor
25	127148X	Swashplate, Variable
30	122723X	* Seal, Lip

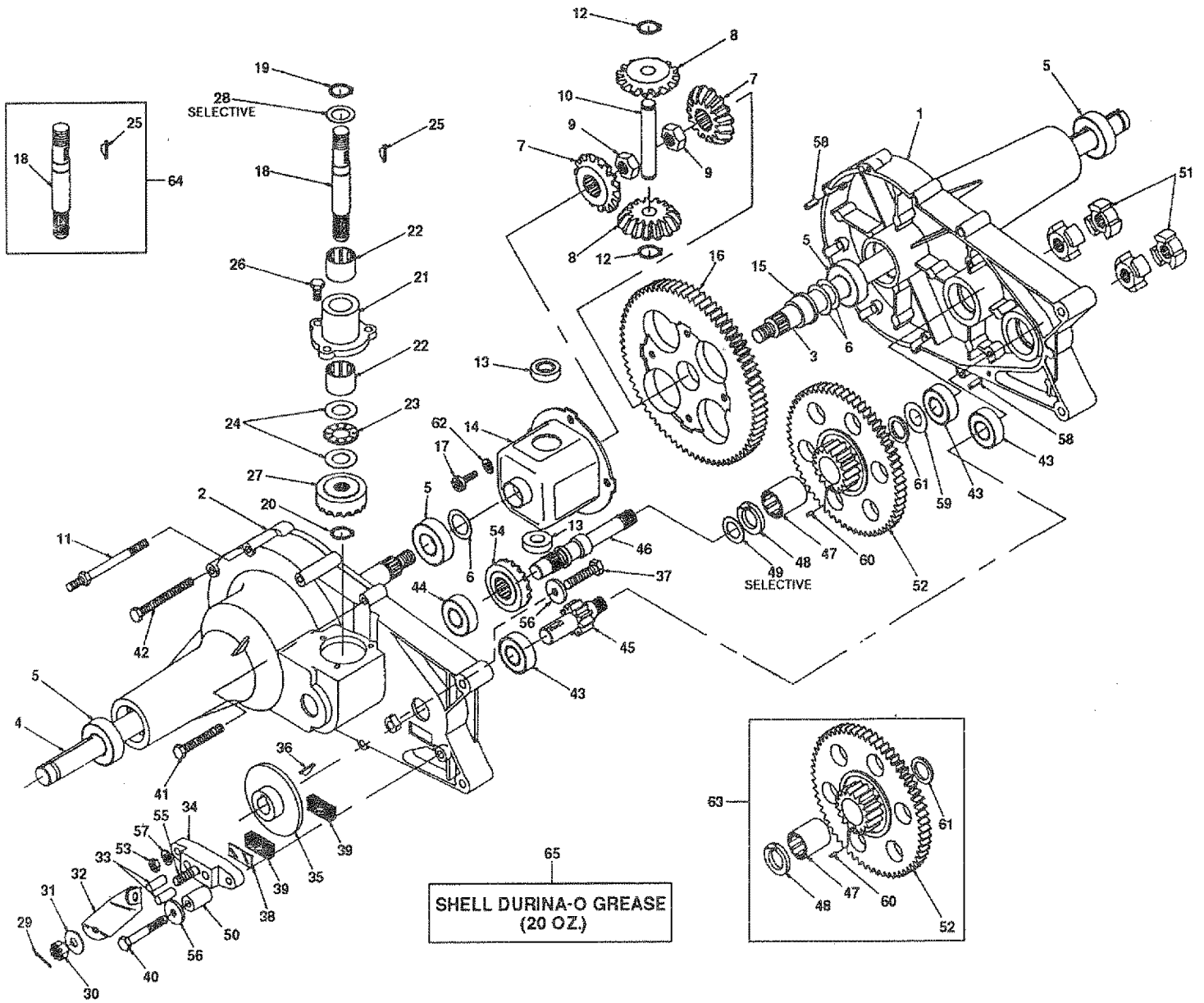
**KEY PART
NO. NO.**

DESCRIPTION

31	127149X	Block Kit, Cylinder
36	127151X	Plug, Plastic
37	122786X	Pin, Stainless, Headless
38	122718X	* Gasket, Center Section
39	122731X	Filter
40	122730X	Washer, Thrust
41	122728X	Spring, Helical, Compression
42	127152X	Check Valve Kit
46	122787X	Plug, Stainless, Threaded
47	122752X	Screw, Socket Head, Cap
50	122788X	Washer, Thrust
51	122789X	Pin, Spiral
52	122754X	Plug, Stainless, Threaded
55	127153X	Bypass Valve Kit
58	122790X	Plug, Stainless, Threaded
59	127154X	Overhaul Seal Kit, BDU-10
		Includes: Items marked with an asterisk (*); O-Rings for Check Valves and Bypass Valve
		Pump Assembly, Complete
60		121430X

REPAIR PARTS

12.5 HP 38" RIDING LAWN TRACTOR - - MODEL NUMBER 917.255590
AGRI-FAB TRANSAXLE - MODEL NUMBER 121431X



REPAIR PARTS

12.5 HP 38" RIDING LAWN TRACTOR - - MODEL NUMBER 917.255590

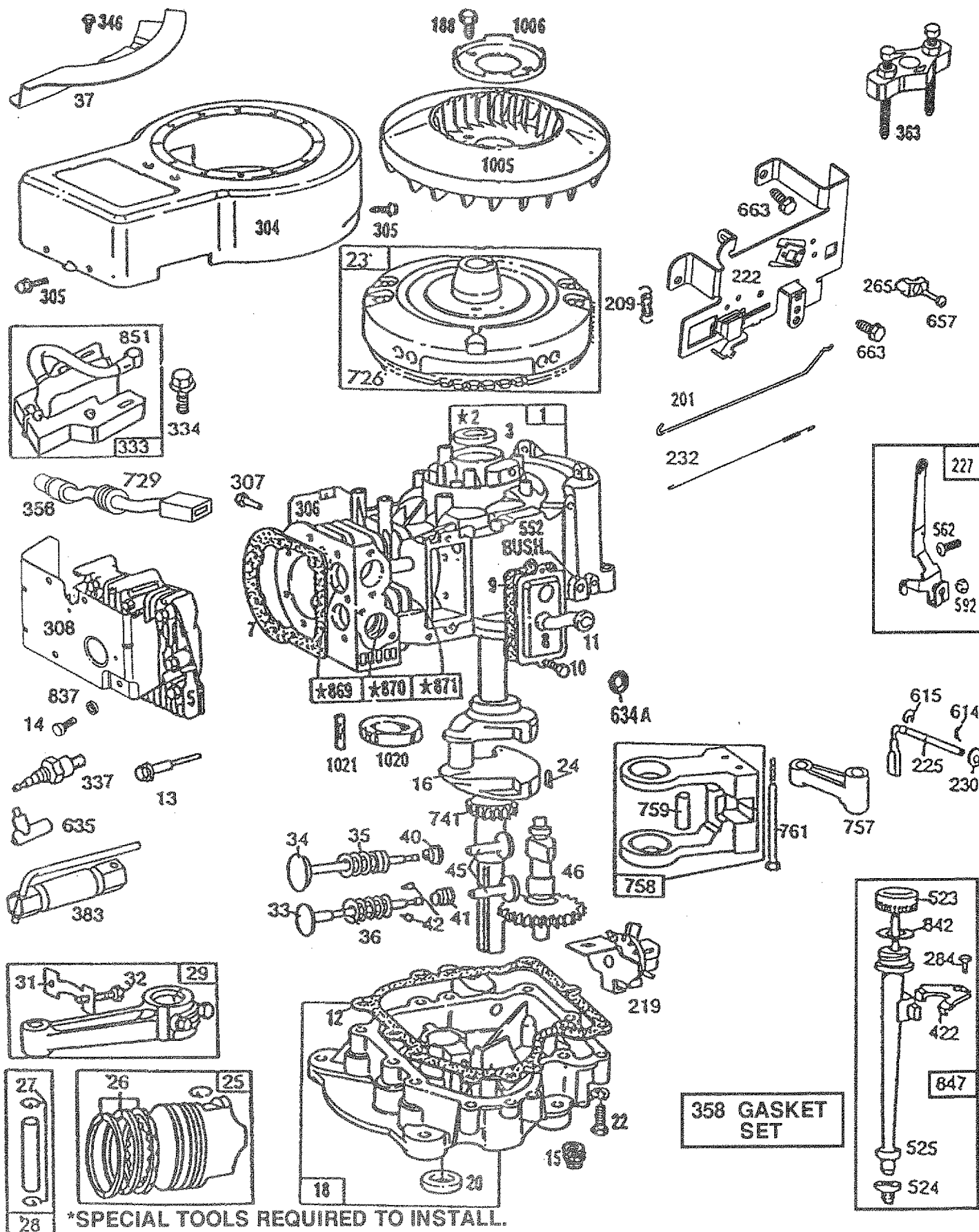
AGRI-FAB TRANSAXLE - MODEL NUMBER 121431X

KEY PART NO. NO.	DESCRIPTION	KEY PART NO. NO.	DESCRIPTION	
1	122614X	35	122664X	Disc, Brake
2	122615X	36	123065X	Key, Hi-Pro 3/16 x 5/8"
3	122616X	37	122666X	Screw, Hex 1/4-20 x 1.50
4	122620X	38	122667X	Plate, Puck
5	122621X	39	122668X	Puck, Brake
6	122622X	40	123066X	Screw, Hex w/Patch 1/4-20 x 2.00
7	122623X	41	122670X	Screw, Hex Self-Tap 1/4-20 x 2.00
8	122624X	42	122671X	Screw, Hex Self-Tap 1/4-20 x 3.00
9	122625X	43	126982X	Bearing, Ball
10	122626X	44	122673X	Bearing, Ball
11	122688X	45	122674X	Shaft, Pinion W/11 Tooth Gear
12	122629X	46	122675X	Shaft, Drive
13	122631X	47	123059X	Bearing, Needle
14	122633X	48	123060X	Bronze Thrust Brg. 5/8 x 1-1/4 x 7/64
15	122634X	49	123061X	Washer, Flat .62 x 1.0 x .050
16	122640X	- -	122654X	Washer, Flat .62 x 1.0 x .040
17	122641X	50	122689X	Spacer
18	122642X	51	121839X	Coupling
19	122643X	52	126975X	Gear, 60 and 17 Tooth
20	122644X	53	122682X	Nut, Hex 1/4-20
21	122645X	54	122683X	Gear, Drive Pinion 17 Tooth
22	122646X	55	122684X	Bolt, Square Head
23	122647X	56	122685X	Washer 15/16 x .265 x .125
24	122648X	57	122686X	Washer, Spring Lock 1/4"
25	122649X	58	122687X	Pin, Roll 3/16" x 1/2"
26	122650X	59	122652X	Washer, Flat .62 x 1.0 x .030
27	122651X	60	123062X	Pin, Dowel 3/32 x 1/4
28	123061X	61	123063X	Seal, Grease
--	122678X	62	126977X	Washer, Head Spring Lock 1/4"
--	122654X	63	126980X	Assembly, Gear, Reduction
29	122656X	64	126981X	Assembly, Shaft, Input
30	122653X	65	126976X	Shell Durina-O Grease (20 oz.)
31	122659X	--	121431X	Transaxle Assembly Complete
32	122660X			
33	122662X			
34	122663X			

NOTE: All component dimensions given in U.S. inches
1 inch = 25.4 mm

REPAIR PARTS

12.5 HP 38" RIDING LAWN TRACTOR - - MODEL NUMBER 917.255590
 BRIGGS & STRATTON ENGINE - MODEL NUMBER 286707, TYPE NUMBER 0437-01



358 GASKET SET

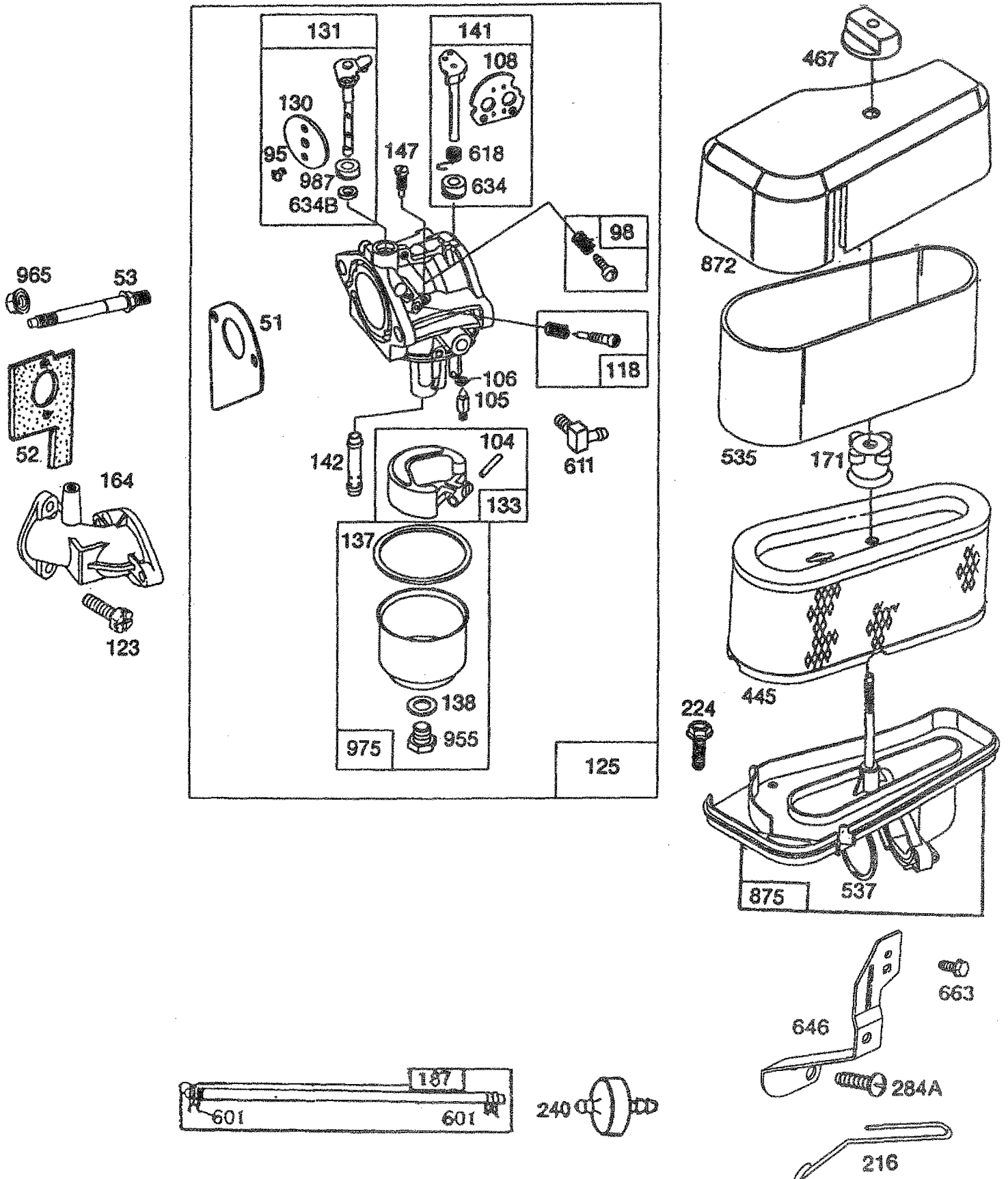
*SPECIAL TOOLS REQUIRED TO INSTALL.

REPAIR PARTS

12.5 HP 38" RIDING LAWN TRACTOR -- MODEL NUMBER 917.255590

BRIGGS & STRATTON ENGINE - MODEL NUMBER 286707, TYPE NUMBER 0437-01

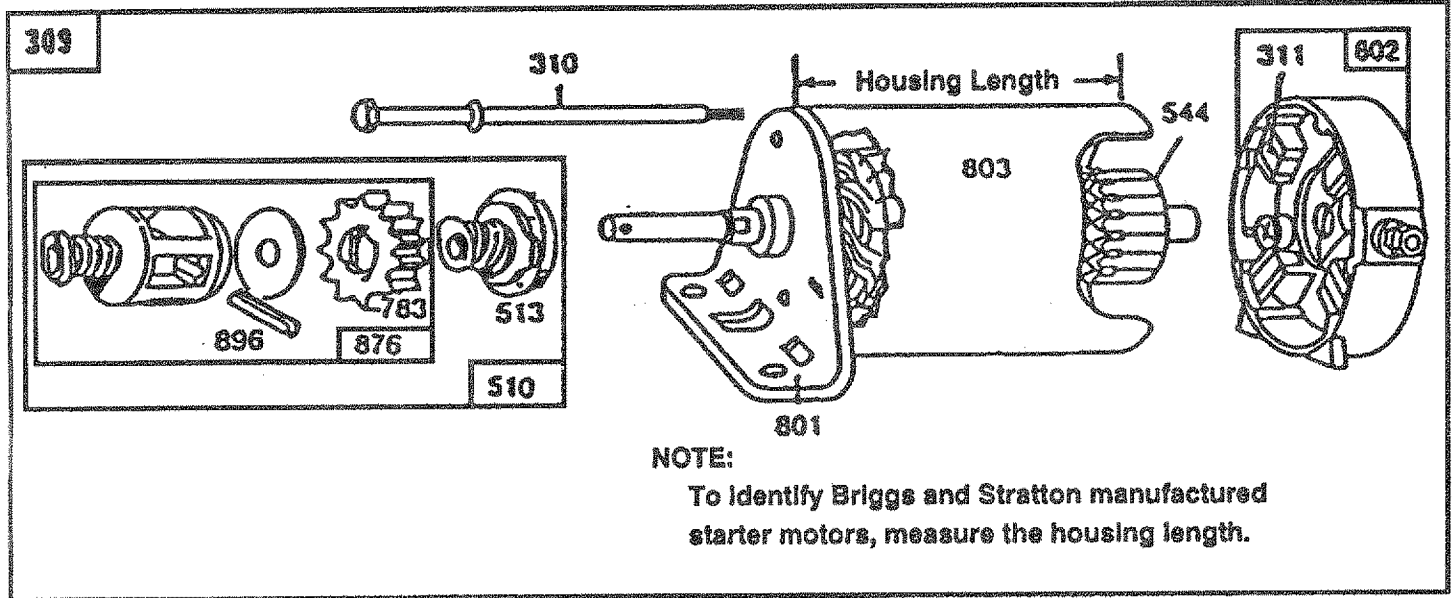
121 CARBURETOR OVERHAUL KIT



REPAIR PARTS

12.5 HP 38" RIDING LAWN TRACTOR - - MODEL NUMBER 917.255590

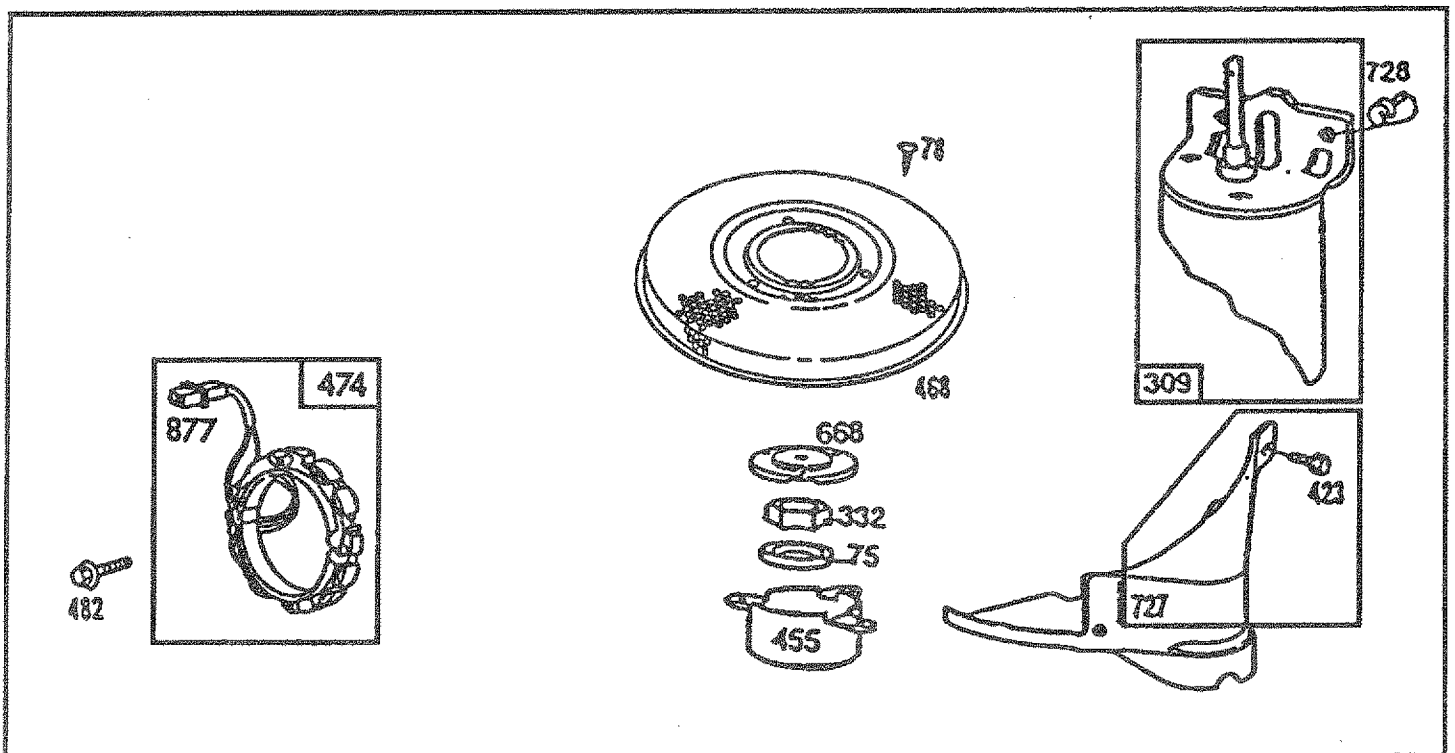
BRIGGS & STRATTON ENGINE - MODEL NUMBER 286707, TYPE NUMBER 0437-01



KEY NUMBER	309	310	311	510	544	801	802	803	
MANUFACTURER	Motor and Drive Assy.	Thru Bolt Assembly	Brush Assembly	Drive Assembly	Armature Assembly	Drive End Cap Assembly	End Cap Assy. Commutator	Housing Assembly	
Briggs & Stratton									
Housing Length									
12V	3-21/32"	494325	94003	395538	490421**	390837	394856	395537*	398159

*Includes Brush Set

**Includes #398003 Clutch Assembly (Key Number 513)
 #280104 Gear (Key Number 783)
 #490467 Retainer and Pin (Key Number 876)
 #94288 Roll Pin (Key Number 896)



REPAIR PARTS

12.5 HP 38" RIDING LAWN TRACTOR - - MODEL NUMBER 917.255590

BRIGGS & STRATTON ENGINE - MODEL NUMBER 286707, TYPE NUMBER 0437-01

KEY PART NO. NO.	DESCRIPTION	KEY PART NO. NO.	DESCRIPTION
1 490450	Cylinder Assembly	78 93805	Screw, Sems
2 261623	Bearing, Cylinder (Requires Special Tools For Installation)	95 94098	** Screw, Throttle
3 391086	* Seal, Oil	98 494382	Screw, Idle Speed
5 494240	Head, Cylinder	104 231789	** Pin, Float Hinge
7 271866	* Gasket, Cylinder Head	105 231790	** Valve Assembly, Inlet Needle
8 391406	Breather Assembly	106 281169	Inlet Valve Seat
9 27803	Gasket, Valve Cover	108 224540	Valve, Choke
10 94621	Screw, Sems	118 494383	** Valve, Needle
11 280100	Tube, Breather	121 494384	Carburetor Overhaul Kit (Includes Items marked ** and ***)
12 271916	* Gasket, Crankcase Cover 1/64"	123 94616	Screw, Elbow Mounting
271997	* Gasket, Crankcase Cover .005"	125 494392	Carburetor Assembly (Choke-A-Matic)
271996	* Gasket, Crankcase Cover .009"	130 224539	Valve, Throttle
13 94622	Screw, Cylinder Head 3"	131 494379	Shaft and Lever, Throttle
14 93415	Screw, Cylinder Head 3/4"	133 494381	Float, Carburetor
15 94239	Plug, Oil Drain	137 281165	*** Gasket, Float Bowl
16 490466	Crankshaft	138 281164	*** Washer, Float Bowl Screw
94196	Key, Timing Gear	141 494380	** Shaft and Lever, Choke
18 494238	Base, Engine	142 231793	** Nozzle/Jet, Carburetor
20 291675	* Seal, Oil	494499	High Altitude Kit:
22 94624	Screw, Sems, Base Mounting		231796 Pilot Jet, High Altitude
23 492326	Flywheel and Ring Gear Assembly, Magneto		281164 Seal, Bowl Screw
24 222698	Key, Flywheel	147 231794	** Pilot, Jet
25 394661	Piston Assembly, Standard	164 213811	Carburetor, Elbow
394662	Piston Assembly .010" Oversize	171 281051	Nut, Air Cleaner Mounting
394663	Piston Assembly .020" Oversize	187 393815	Line, Fuel, 11" (Cut To Suit)
394664	Piston Assembly .030" Oversize	188 93535	Screw, Sems 3/4"
26 391780	Ring Set, Piston, Standard	201 262767	Link, Governor
392331	Ring Set, Piston, Chrome, Standard	209 260871	Spring, Governor
391781	Ring Set, Piston .010" Oversize	216 262766	Link, Choke
391782	Ring Set, Piston .020" Oversize	219 490815	Oil Slinger, Governor Gear and Bracket Assembly
391783	Ring Set, Piston .030" Oversize		Plate, Governor Control (Choke-A-Matic)
27 260924	Lock, Piston Pin	222 494887	Screw, Sem, Air Cleaner
28 299691	Pin Assembly, Piston, Standard	224 94513	Crank, Governor, 1/4" Diameter
391286	Pin Assembly, Piston .005" Over	225 231058	Lever Assembly, Governor
29 490348	Rod Assembly, Connecting	227 493935	Washer, Governor Crank, 1/4" I.D.
490469	Rod Assembly, Connecting .020" Undersize Crankpin Bore	230 222450	Spring, Governor Link
31 222299	Lock, Connecting Rod Screw	232 262785	Filter, Fuel
32 92909	Screw, Connecting Rod	240 394358	Clamp, Casing
33 262246	Valve, Exhaust	265 221535	Screw, Clamp Mounting
34 262247	Valve, Intake	284 94419	Screw, Air Cleaner
35 65906	Spring, Intake Valve	284A 94326	Housing, Blower, Red
36 26828	Spring, Exhaust Valve	304 224504	Screw, Sems, Blower Housing
37 223752	Guard, Flywheel	305 94619	Mounting
40 221596	Retainer, Intake Valve		Shield, Cylinder
41 292260	Rotocoil, Exhaust Valve	306 224545	Screw, Sems, Cylinder Shield Mtg.
42 93630	Retainer, Exhaust Valve Rotocoil	307 94623	Cover, Cylinder Head
45 262248	Tappet-Valve	308 491490	
46 212897	Gear, Cam		
51 281170	*** Gasket, Carburetor (Carburetor to Elbow)		
52 270872	* Gasket, Carburetor (Elbow to Cylinder)		
53 94637	Stud, Carburetor Mounting		
75 224061	Washer, Spring		

* Included in Gasket Set (494241)
 ** Included in Carburetor Overhaul Kit (494384)
 *** Included in both Carburetor Overhaul Kit (494384) and Carburetor Gasket Set (494386)

NOTE: All component dimensions given in U.S. inches
 1 inch = 25.4 mm

REPAIR PARTS

12.5 HP 38" RIDING LAWN TRACTOR - - MODEL NUMBER 917.255590

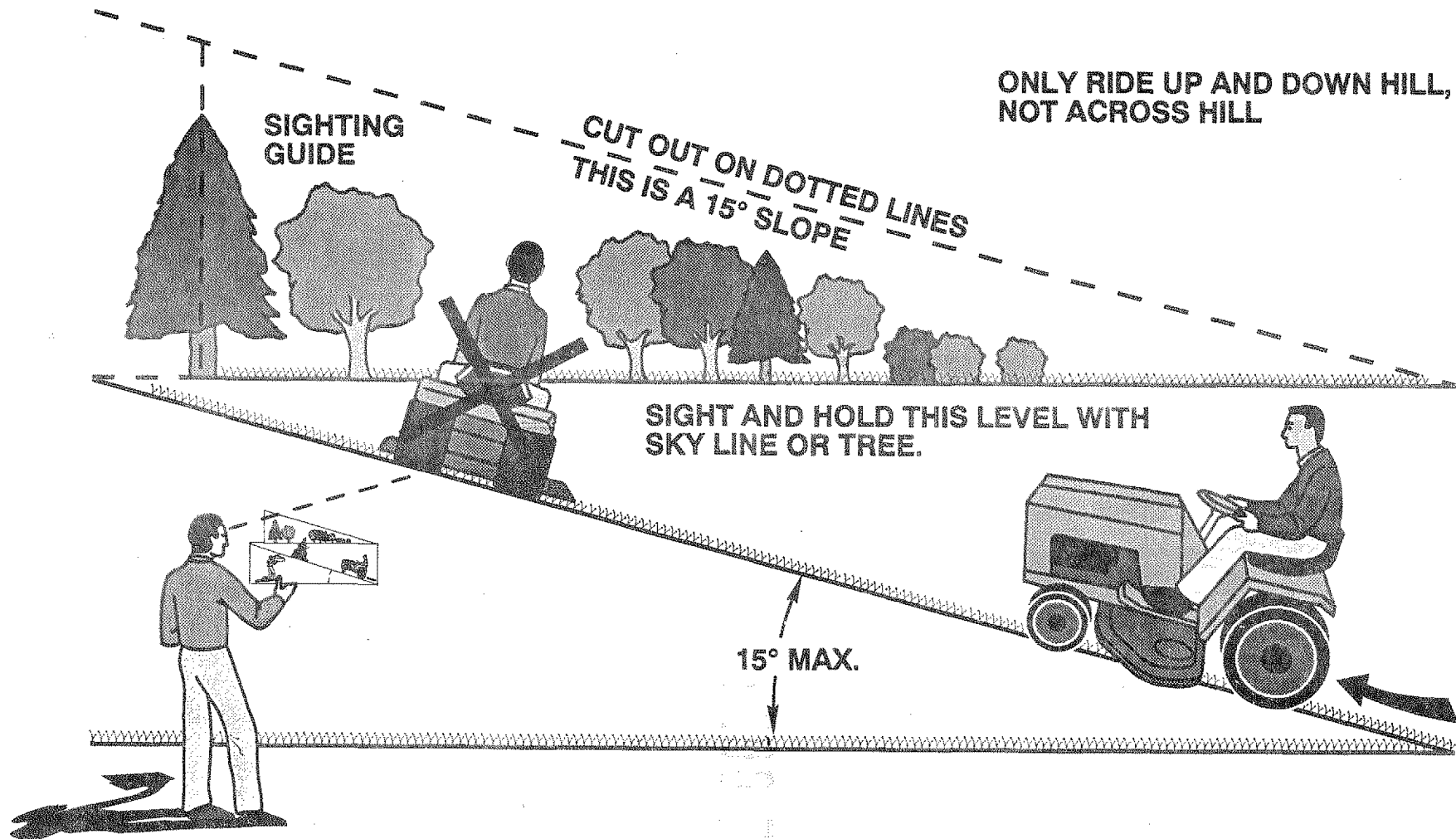
BRIGGS & STRATTON ENGINE - MODEL NUMBER 286707, TYPE NUMBER 0437-01

KEY PART NO.	NO.	DESCRIPTION	KEY PART NO.	NO.	DESCRIPTION
309	---	Motor, Starting, 12 Volt (see chart on illustrated pages for replacement parts for Starting Motors)	663	94620	Screw, Hex Head
332	92284	Nut, Hex	668	280848	Spacer
333	492341	Armature, Magneto	726	392134	Gear, Ring (Includes Mounting Parts)
334	93381	Screw, Sems, Armature Mounting	727	490324	Cover, Starter (Includes Mounting Screws)
337	802592	Plug, Spark, (1-7/8" or 47 mm) (Resistor Type)	728	93535	Screw, Sems
346	93705	Screw, Hex Head	729	281159	Clip, Lead Wire
356	494328	Wire, Ground	741	262135	Gear, Timing
358	494241	Gasket Set (Includes all items marked *)	757	212359	Link, Counterweight
363	19203	Puller, Flywheel	758	399891	Counterweight Assembly
383	89838	Wrench, Spark Plug	759	298909	Pin, Counterweight
422	223721	Clamp, Oil Filler Tube	761	93875	Screw, Counterweight
423	93984	Screw, Sems	837	231109	Spacer, Muffler Mounting
445	493909	Cartridge, Air Cleaner	842	270920	Seal, Oil Filler Cap
455	222561	Cup, Screen Mounting	847	490474	Fill Group, Oil
467	493903	Knob, Air Cleaner	851	221798	Terminal, Ignition Cable
468	222562	Screen, Flush Rotating	869	261463	Seat, Intake Valve, Standard
474	393474	Stator, Alternator, Dual Circuit	870	210940	Seat, Exhaust Valve, Standard
482	93621	Screw, Sems	871	261961	Guide, Exhaust Valve
523	490327	Cap and Dipstick, Oil Filler	872	281104	Cover, Air Cleaner
524	68838	Seal, Filler Tube	875	494237	Body, Air Cleaner
525	280741	Tube, Oil Filler	877	393456	Diode and Connector Assembly, Dual Circuit
535	272403	Element, Air Cleaner	955	94642	** Screw, Fuel Bowl
537	281106	* O-Ring, Air Cleaner	965	94108	Locknut, Air Cleaner Mounting
552	231597	Bushing, Governor Crank, 1/4" I.D.	975	494378	Bowl Assembly, Carburetor
562	92613	Bolt, Governor Lever	977	494386	Carburetor Gasket Kit (Includes items marked ***)
592	231082	Nut, Hex #10-24	987	281166	** Seal, Throttle Shaft
601	93053	Clamp, Fuel Pipe	1005	280687	Fan, Flywheel
611	494451	Fuel Inlet Tube	1006	223726	Retainer, Fan
614	93306	Cotter, Hair Pin	1020	262243	Eccentric
615	93307	Retainer, E-Ring	1021	94160	Pin, Eccentric
618	262803	Spring, Choke Return			
634	281168	** Seal, Choke Shaft			
634A	491323	* Seal, Governor			
634B	281167	Washer, Throttle Shaft			
635	66538	Elbow, Spark Plug			
646	224486	Brace, Air Cleaner			
657	93496	Screw, Sems			

* Included in Gasket Set (494241)
 ** Included in Carburetor Overhaul Kit (494384)
 *** Included in both Carburetor Overhaul Kit (494384) and Carburetor Gasket Set (494386)

NOTE: All component dimensions given in U.S. inches
 1 inch = 25.4 mm

SUGGESTED GUIDE FOR SIGHTING SLOPES FOR SAFE OPERATION



Operate your Tractor up and down the face of slopes (not greater than 15°), never across the face. Make turns gradually to prevent tipping or loss of control. Exercise extreme caution when changing direction on slopes.

SEARS

OWNER'S MANUAL

MODEL NO. 917.255590

FILE COPY

HOW TO ORDER REPAIR PARTS

CRAFTSMAN[®]

12.5 HP IC ELECTRIC START 38" MOWER DECK AUTOMATIC (HYDROSTATIC) DRIVE LAWN TRACTOR

Each tractor has its own model number. Each engine has its own model number.

The model number for your tractor will be found on the model plate located under the seat.

The model number for your engine will be found on the blower housing.

All parts listed herein may be ordered from any Sears, Roebuck and Co. Service Centers and most Retail Stores.

WHEN ORDERING REPAIR PARTS, ALWAYS GIVE THE FOLLOWING INFORMATION:

- **PRODUCT - LAWN TRACTOR**
- **MODEL NUMBER - 917.255590**
- **ENGINE MODEL NUMBER - 286707, TYPE NUMBER 0437-01**
- **PART NUMBER**
- **PART DESCRIPTION**

Your Sears merchandise has added value when you consider Sears has service units nationwide staffed with Sears trained technicians... professional technicians specifically trained to insure that we meet our pledge to you, we service what we sell.

Sears, Roebuck and Co., Chicago, IL 60684 U.S.A.

Free Manuals Download Website

<http://myh66.com>

<http://usermanuals.us>

<http://www.somanuals.com>

<http://www.4manuals.cc>

<http://www.manual-lib.com>

<http://www.404manual.com>

<http://www.luxmanual.com>

<http://aubethermostatmanual.com>

Golf course search by state

<http://golfingnear.com>

Email search by domain

<http://emailbydomain.com>

Auto manuals search

<http://auto.somanuals.com>

TV manuals search

<http://tv.somanuals.com>