

SEARS

**OWNERS
MANUAL**

**MODEL NO.
917.255910**



**Caution:
Read Rules for
Safe Operation
and Instructions
Carefully**

**GT 18 TWIN
6 SPEED
GARDEN TRACTOR**

**Assembly
Installation
Operation
Repair Parts**

CONGRATULATIONS on your purchase of a Sears GT 18 Garden Tractor. It has been designed, engineered and manufactured to give you dependability and performance. Should you experience any problem you cannot easily remedy, please contact your nearest Sears Service Center. They have competent, well-trained technicians and the proper tools and parts to service or repair this unit.

Please read and retain this manual. The instructions will enable you to assemble, operate and maintain your Tractor properly. Always observe the "RULES FOR SAFE OPERATION".

YOUR NEW GT 18 GARDEN TRACTOR FEATURES...

CRAFTSMAN 18 H.P. TWIN-CYLINDER ENGINE--cool-running performance and long life with plenty of power to take on a variety of yard, gardening or snow removal tasks.

INTERLOCK SWITCH SYSTEM--allows engine to start only when tractor Clutch-Brake Pedal is depressed and Attachment Clutch Switch is in "OFF" position.

ALL GEAR TRANSMISSION--six speeds forward, two reverse speeds--to let you select the proper match for the terrain and the job. Automotive-type differential helps guard against turf scuffing.

CONTROL PANEL--with Throttle, Choke, Light Switch, Ignition Switch, Ammeter, Parking Brake Lever and Clutch Switch--conveniently grouped for ease of use.

**MODEL
NUMBER** _____
**SERIAL
NUMBER** _____

THE MODEL AND SERIAL NUMBERS WILL BE FOUND ON THE MODEL PLATE ATTACHED TO THE DRAWBAR.

YOU SHOULD RECORD BOTH MODEL AND SERIAL NUMBERS AND KEEP IN A SAFE PLACE FOR FUTURE REFERENCE.

ATTACHMENT VERSATILITY--handles a large variety of Sears Yard and Garden Tractor Attachments including . . .

44 INCH MOWER with three "high-lift" blades to stand grass up for level cuts.

OTHER SOIL TILLAGE ATTACHMENTS including Plow, Disc Harrow, Drag Harrow and Cultivator.

46 INCH DOZER BLADE levels or moves dirt and gravel or removes snow.

40" 42 INCH SNOW BLOWER handles wet, heavy powdery snow with ease.

REAR GRADER AND LEVELER BLADE levels new yards, grading lanes, driveways and parking areas.

LIMITED ONE YEAR WARRANTY ON ELECTRIC START RIDING EQUIPMENT

For one year from date of purchase, when this riding equipment is maintained, lubricated, and tuned up according to the operating and maintenance instructions in the owner's manual, Sears will repair free of charge any defect in material or workmanship in this electric start riding equipment.

This warranty excludes blade(s), blade adapter(s), spark plug(s), air cleaner and belt(s), which are expendable and become worn during normal use.

This warranty does not cover:

- tire replacement or repair caused by punctures from outside objects (such as nails, thorns, stumps, or glass); and
- repairs necessary because of operator abuse or negligence, including the failure to maintain the equipment according to instructions contained in the owner's manual; and
- riding equipment used for commercial or rental purposes.

FULL 90-DAY WARRANTY ON BATTERY

For 90 days from the date of purchase, if any battery included with this riding equipment proves defective in material or workmanship and our testing determines the battery will not hold a charge, Sears will replace the battery at no charge.

WARRANTY SERVICE IS AVAILABLE BY CONTACTING THE NEAREST SEARS SERVICE CENTER/DEPARTMENT IN THE UNITED STATES. This warranty applies only while this product is in use in the United States.

This warranty gives you specific legal rights, and you may also have other rights which vary from state to state.

Sears, Roebuck and Co., D/698-731A, Sears Tower, Chicago, IL 60684

TABLE OF CONTENTS

RULES FOR SAFE OPERATION	BELOW	MAINTENANCE INSTRUCTIONS.	13
ASSEMBLY INSTRUCTIONS	4	TROUBLE SHOOTING	25
OPERATION INSTRUCTIONS	7	REPAIR PARTS	27

RULES FOR SAFE OPERATION

1. Know the controls and how to stop quickly. READ THE OWNER'S MANUAL.
2. Do not allow children to operate the vehicle. Do not allow adults to operate it without proper instruction or without having read the owners manual.
3. Do not carry passengers. Keep children and pets a safe distance away.
4. Always wear substantial footwear. Do not wear loose fitting clothing that could get caught in moving parts.
5. Keep your eyes and mind on your tractor, mower and the area being cut. Don't let other interests distract you.
6. Do not attempt to operate your tractor or mower when not in the drivers seat.
7. Always get on or off your tractor from the operators left hand side.
8. Clear the work area of objects which might be picked up and thrown.
9. Disengage all attachment clutches before attempting to start the engine.
10. Disengage power to attachments and stop the engine before leaving the operator's position.
11. Disengage power to mower, stop the engine and disconnect spark plug wire(s) from spark plug(s) before cleaning, making an adjustment or repairs.
12. Disengage power to attachments when transporting or not in use.
13. Take all possible precautions when leaving the vehicle unattended. Disengage the power-take-off, lower the attachments, return drive control lever to neutral, shift into neutral, set the parking brake, stop the engine and remove the key.
14. Do not stop or start suddenly when going uphill or downhill. Mow up and down the face of slopes (not greater than 15°); never across the face. Refer to page 47.
15. Reduce speed on slopes and make turns gradually to prevent tipping or loss of control. Exercise extreme caution when changing direction on slopes.
16. While going up or down slopes, place Gear Shift Control Lever in 1st gear and Range Shift Lever in "LO" (Low) position to negotiate the slope without stopping.
17. Never mow in wet or slippery grass, when traction is unsure or at a speed which could cause a skid.
18. Stay alert for holes in the terrain and other hidden hazards.
19. Do not drive too close to creeks, ditches and public highways.
20. Exercise special care when mowing around fixed objects in order to prevent the blades from striking them. Never deliberately run tractor or mower into or over any foreign object.
21. Never shift gears until tractor comes to a stop.
22. Never place hands or feet under the mower, in discharge chute or near any moving parts while tractor or mower are running. Always keep clear of discharge chute.
23. Use care when pulling loads or using heavy equipment.
 - a. Use only approved drawbar hitch points.
 - b. Limit loads to those you can safely control.
 - c. Do not turn sharply. Use care when backing.
 - d. Use counterweight or wheel weights when suggested in the owner's manual.
24. Watch out for traffic when crossing or near roadways.
25. When using any attachments, never direct discharge of material toward bystanders nor allow anyone near the vehicle while in operation.
26. Handle gasoline with care - it is highly flammable.
 - a. Use approved gasoline containers.
 - b. Never remove the cap of the fuel tank or add gasoline to a running or hot engine, or fill the fuel tank indoors. Wipe up spilled gasoline.
 - c. Open doors if the engine is run in the garage - exhaust fumes are dangerous. Do not run the engine indoors.
27. Keep the vehicle and attachments in good operating condition, and keep safety devices in place.
28. Keep all nuts, bolts and screws tight to be sure the equipment is in safe working condition.
29. Never store the equipment with gasoline in the tank inside a building where fumes may reach an open flame or spark. Allow the engine to cool before storing in any enclosure.
30. To reduce fire hazard, keep the engine free of grass, leaves or excessive grease. Do not clean product while engine is running.
31. Except for adjustment; DO NOT operate Engine if air cleaner or cover directly over carburetor air intake is removed. Removal of such part could create a fire hazard.
32. Do not operate without a muffler or tamper with the exhaust system. Damaged mufflers or spark arresters could create a fire hazard. Inspect periodically and replace if necessary.
33. The vehicle and attachments should be stopped and inspected for damage after striking a foreign object and the damage should be repaired before restarting and operating the equipment.
34. Do not change the engine governor settings or overspeed the engine; severe damage or injury may result.
35. When using the vehicle with mower, proceed as follows:
 - a. Mow only in daylight or in good artificial light.
 - b. Shut the engine off when unclogging chute.
 - c. Check the blade mounting bolts for proper tightness at frequent intervals.
36. Do not operate the mower without the deflector shield in place.
37. Disengage power to mower before backing up. Do not mow in reverse unless absolutely necessary and then only after careful observation of the entire area behind the mower.



LOOK FOR THIS SYMBOL TO POINT OUT IMPORTANT SAFETY PRECAUTIONS. IT MEANS -- ATTENTION! BECOME ALERT! YOUR SAFETY IS INVOLVED.

WARNING

This unit is equipped with an internal combustion engine and should not be used on or near any unimproved forest-covered, brush covered or grass-covered land unless the engine's exhaust system is equipped with a spark arrester meeting applicable local or state laws (if any). If a spark arrester is used, it should be maintained in effective working order by the operator.

In the State of California the above is required by law (Section 4442 of the California Public Resources Code). Other states may have similar laws. Federal laws apply on federal lands. See your Authorized Service Center for spark arrester muffler part number 106664X.

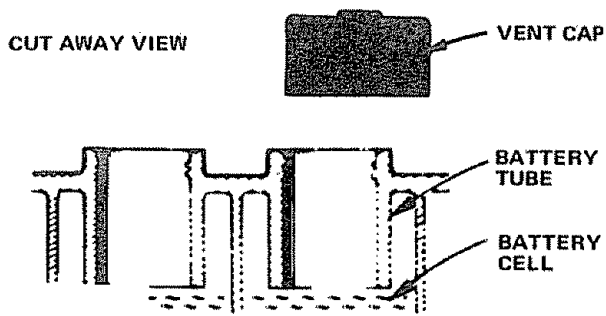


FIGURE 1

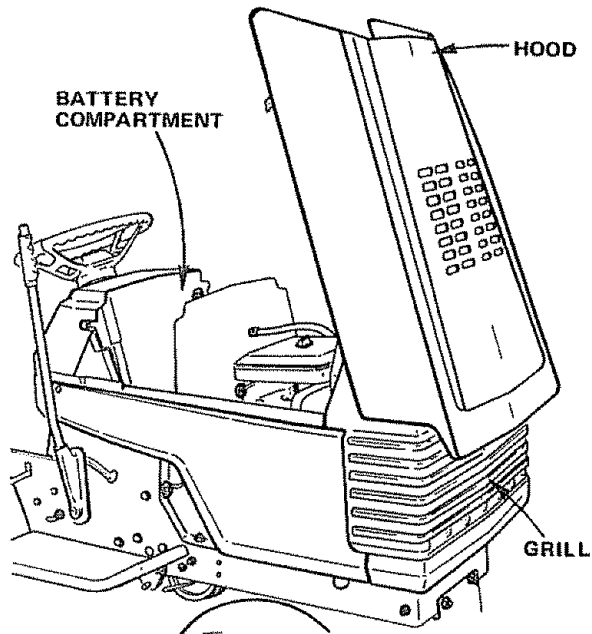


FIGURE 2

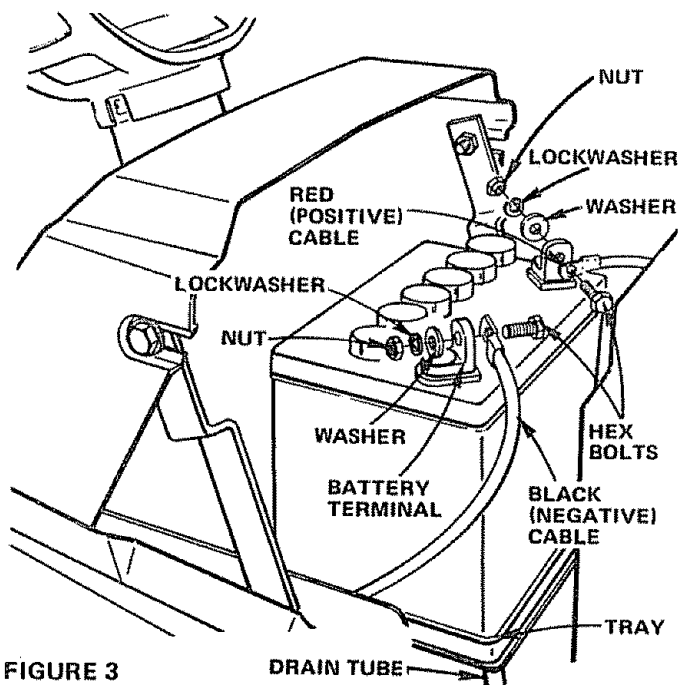


FIGURE 3

ASSEMBLY

To assemble and adjust your Tractor you will need:
two 7/16" wrenches, one 3/4" wrench and one 9/16" wrench

NOTE: RIGHT HAND (R.H.) AND LEFT HAND (L.H.) ARE DETERMINED FROM OPERATOR'S POSITION WHILE SEATED ON THE TRACTOR.

1. Remove Fasteners holding Tractor and Mower Deck to skid. Also remove Battery, Steering Wheel and Bag of Parts,

WEAR EYE AND FACE SHIELD.



WASH HANDS OR CLOTHING IMMEDIATELY IF ACCIDENTALLY IN CONTACT WITH ELECTROLYTE.

DO NOT SMOKE, FUMES FROM CHARGED ELECTROLYTE ARE EXPLOSIVE.

2. Fill and charge Battery (before installing). NOTE: SEE DETAILED INSTRUCTIONS PACKAGED WITH BATTERY.
 - a. Fill Battery with electrolyte to bottoms of tubes in cells (Fig. 1). NOTE: DO NOT OVERFILL. OVERFILLING WILL RESULT IN DAMAGE TO TRACTOR.
 - b. Check level of electrolyte after 30 minutes. Add additional electrolyte if necessary. NOTE: TIGHTEN VENT CAPS SECURELY.
 - c. Charge Battery at a rate not exceeding three amperes for about two and one half hours.
 - d. Neutralize excess electrolyte for disposal by adding it to four inches of water in a five gallon plastic container. Stir with a wooden or plastic paddle while adding baking soda until the addition of more soda causes no more foaming.

DO NOT SHORT BATTERY TERMINALS.



BEFORE INSTALLING BATTERY, REMOVE METAL BRACELETS, WRISTWATCH BANDS, RINGS, ETC. FROM YOUR PERSON.

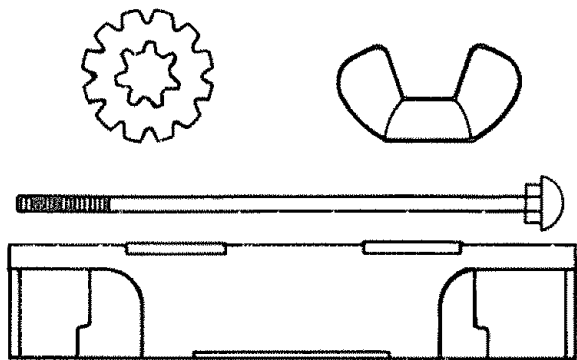
3. Install Battery.
 - a. Lift hood from rear sides (Fig. 2).
 - b. Remove tape from Plastic Tray. Make sure Drain Tube (Fig. 3) is fastened to Drain Hole in Battery Tray and Battery Tray is positioned in hole of Battery Support.
 - c. Place Battery in Plastic Tray (Battery Terminals to front of Tractor) (Fig. 3).
4. Connect Battery Cables using: two Hex Bolts, two Flat Washers, two Lockwashers and two Hex Nuts (shown full size below) found in Bag of Parts,



POSITIVE TERMINAL MUST BE CONNECTED FIRST TO PREVENT SPARKS FROM ACCIDENTAL GROUNDING.

- a. Connect RED Battery Cable to Positive (+) Battery Terminal with Hex Bolt, Flat Washer, Lockwasher and Hex Nut (Fig. 3). Tighten securely.
- b. Connect BLACK Ground Cable to Negative (-) Battery Terminal with remaining Hex Bolt, Flat Washer, Lockwasher and Hex Nut (Fig. 3). Tighten securely.

5. Install Battery using: two Int./Ext. Lockwashers, two Wing Nuts (shown full size below) and



two Battery Bolts and one Terminal Guard found in Bag of Parts.

- Using the square hole on one side of the Battery Support (Fig. 4) insert one Battery Bolt, head of Bolt down. Fasten the Battery Bolt to the Terminal Guard using Int./Ext. Lockwasher and Wing Nut as shown in Fig. 4.
- Assemble the remaining Battery Bolt to other side of Battery Support and fasten Terminal Guard to it with remaining Int./Ext. Lockwasher and Wing Nut. Tighten Wing Nuts securely by hand (Fig. 4).

NOTE: USE TERMINAL ACCESS DOORS (FIG. 4) FOR:

- Inspection for secure connections (tighten hardware).
- Inspection for corrosion.
- Testing battery.
- Jumping (if required).
- Charging (if required).

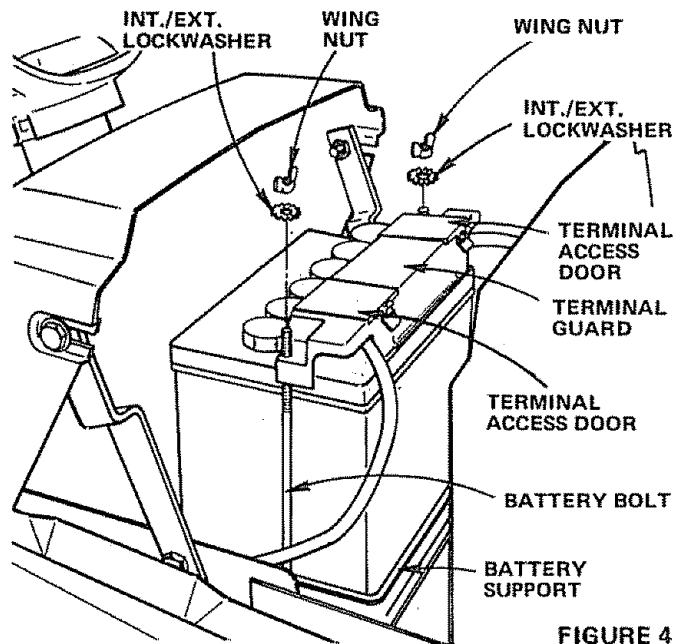


FIGURE 4

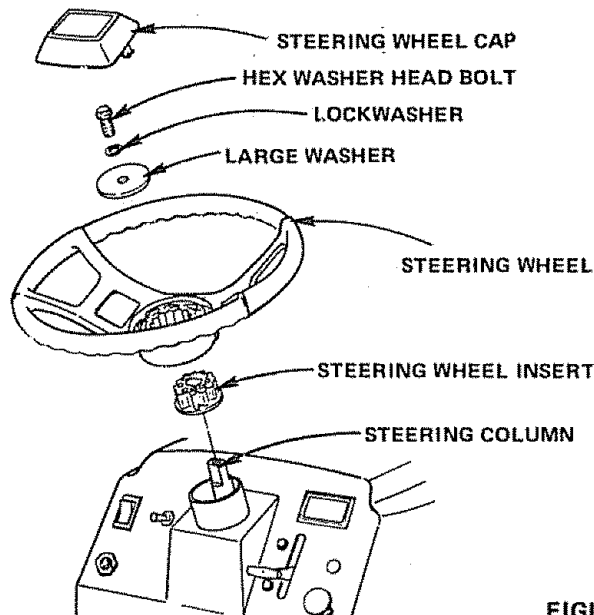


FIGURE 5

6. Close Hood.

7. Install Steering Wheel.

NOTE: POSITION FRONT WHEELS FORWARD.

- Remove Hex Washer Head Bolt, Lockwasher and Large Washer from Steering Column (Fig. 5).
 - Position Steering Wheel over Steering Wheel Insert.
 - Secure Steering Wheel to Steering Column using Hex Bolt, Lockwasher and Large Washer (Fig. 5).
 - Snap Steering Wheel Cap in place on Steering Wheel. Steering Wheel Cap found in Bag of Parts.
8. To adjust seat position, pivot seat forward. Use 3/4" wrench to loosen Seat Bolt and slide seat to desired position. Make sure seat sets straight on Seat Pan and tighten Seat Bolt securely (Fig. 6).

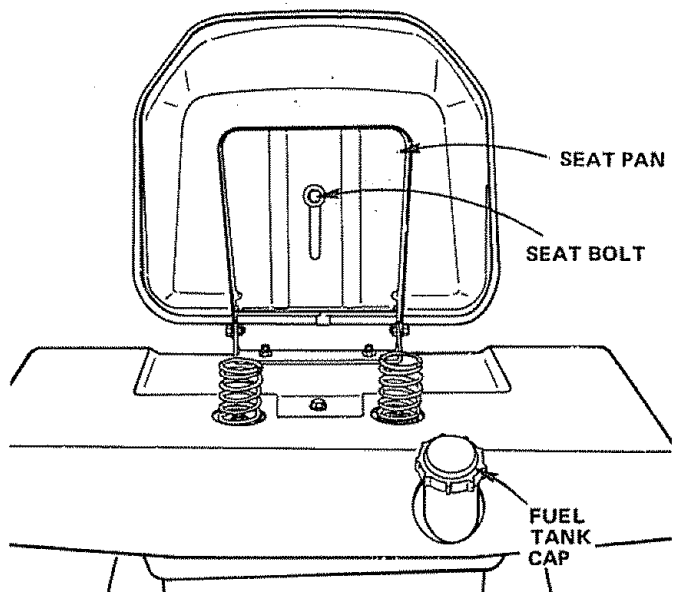



FIGURE 6



WHEN NOT IN USE, KEEP TERMINAL ACCESS DOORS CLOSED.

DO NOT START ENGINE UNTIL MOWER SUSPENSION BRACKET HAS BEEN RELEASED. SEE MOWER AND DRIVE BELT INSTALLATION, PAGE 8.

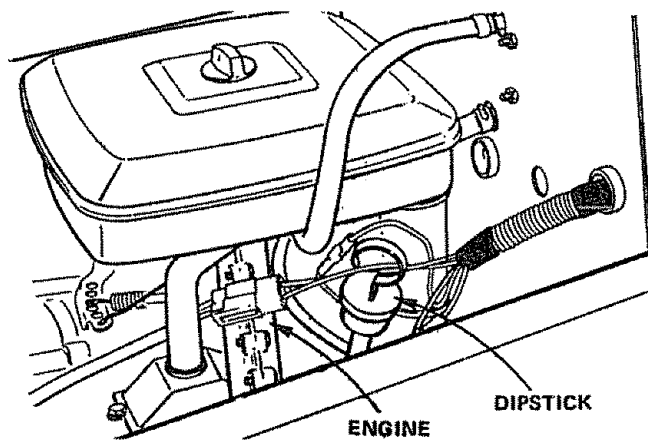


FIGURE 7

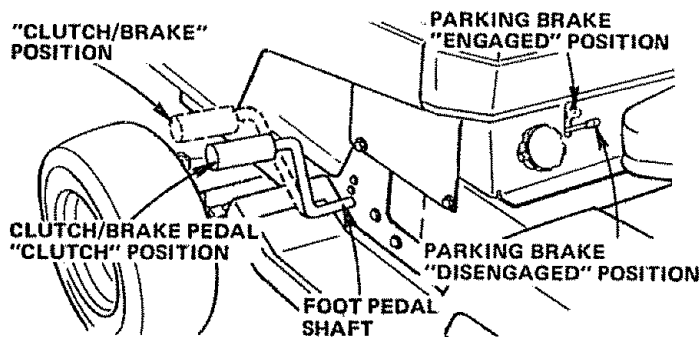


FIGURE 8

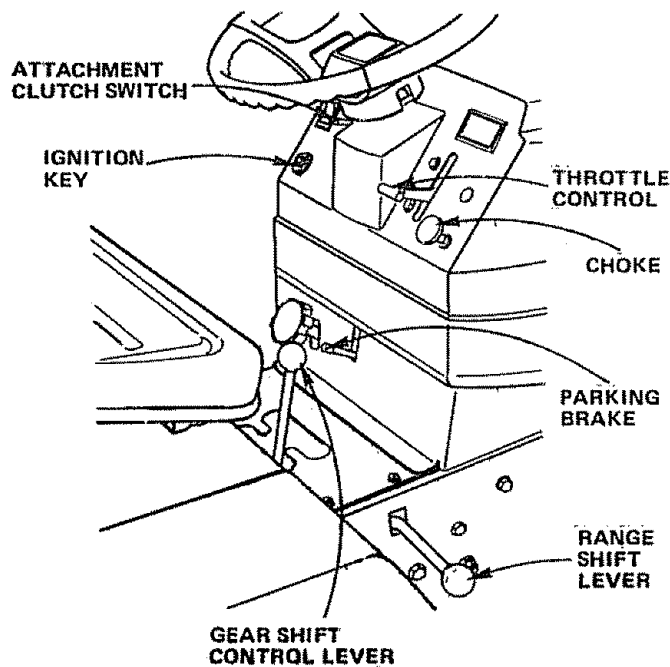
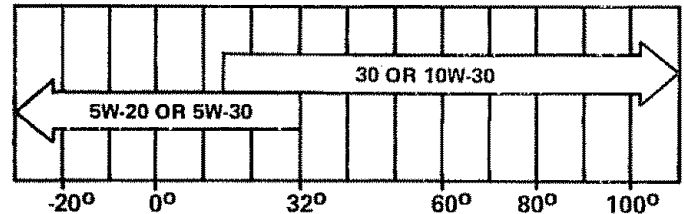


FIGURE 9

INITIAL SERVICE

1. This engine has been shipped filled with oil. Check Engine Oil Level with Tractor on level ground. Wipe Dipstick (Fig. 7) clean, push it in tight for a few seconds, remove and read Oil Level. If necessary, add Oil until "FULL" mark is reached.

RECOMMENDED SAE VISCOSITY GRADES



TEMPERATURE RANGE EXPECTED BEFORE NEXT OIL CHANGE. ALL OILS MUST MEET A.P.I. SERVICE CLASSIFICATION SD, SE, OR SF.

Capacity is 3 pints. NOTE: DO NOT OVERFILL. Dipstick assembly must be securely tightened into tube at all times when engine is operating.

2. Fill Fuel Tank (Fig. 6). Use fresh, clean, unleaded automotive gasoline. (Leaded "Regular" grade gasoline is an acceptable substitute, but will increase carbon and lead oxide deposits and reduce valve life). Capacity is 3 - 1/2 gallons.

WARNING: DO NOT USE GASOHOL OR METHANOL. These type fuels react with water content in the fuel and tend to form strong acids which can corrode metal parts and harm rubber and plastics.



FILL TO BOTTOM OF GAS TANK FILLER NECK. DO NOT OVERFILL. WIPE OFF ANY SPILLED OIL OR FUEL. DO NOT STORE, SPILL OR USE GASOLINE NEAR AN OPEN FLAME.

3. Reduce Tire pressure to 14 PSI in front and 10 PSI in rear Tires. (Tires were overinflated for shipping purposes).
4. Remove bands from Mower Suspension Bracket (Fig. 11).

STARTING THE ENGINE



LEARN TO START, STOP AND REVERSE YOUR TRACTOR IN A LARGE, OPEN AREA.

NOTE: THIS TRACTOR IS EQUIPPED WITH INTERLOCK SWITCHES TO PREVENT STARTING OF THE TRACTOR ENGINE WHILE THE ATTACHMENT CLUTCH OR THE TRACTOR CLUTCH IS ENGAGED.



IMMEDIATELY REPLACE SWITCHES THAT ARE NOT IN PROPER WORKING ORDER. DO NOT ATTEMPT TO DEFEAT THE PURPOSE OF THESE SWITCHES.

1. Place Attachment Clutch Switch in "DISENGAGED" position (Fig. 9).
2. Push Clutch-Brake Pedal fully into brake position (Fig. 8).
3. Place Gear Shift Control Lever in "N" neutral, start position and Range Shift Lever in "N" neutral position (Fig. 9).

4. Pull Choke out (Fig. 9).
5. Move Throttle Control to middle position (Fig. 9).
6. Turn Ignition Key to "START" position until Engine starts (Fig. 9). **NOTE: DO NOT RUN STARTER CONTINUOUSLY FOR MORE THAN FIFTEEN SECONDS PER MINUTE.** If engine does not start after several attempts, move Throttle Control to "F" (fast) position, wait a few minutes and try again.
The first time you start the engine, it will take extra cranking time to move fuel from tank to the engine.
NOTE: ALLOW ENGINE TO WARM UP FOR A FEW MINUTES BEFORE ENGAGING CLUTCH OF TRACTOR OR ATTACHMENT.
7. When restarting a warm engine, move Throttle Control midway between "S" (slow) and "F" (fast) position. Choke may not have to be used.

OPERATION



BEFORE DRIVING THE TRACTOR, INSTALL MOWER OR REMOVE FRONT MOWER SUSPENSION ARM (FIG. 11).



CAUTION

1. Keep all shields in place.
2. Before leaving operator's position:
 - a. Shift transmission to neutral.
 - b. Depress Clutch/Brake Pedal and set Parking Brake.
 - c. Disengage Attachment Lever.
 - d. Shut off engine.
 - e. Remove Ignition Key.
3. Wait for all movement to stop before servicing machine.
4. Keep people and pets a safe distance away from machine.
5. Always wear substantial footwear and avoid loose fitting clothing that could get caught in moving parts.

TRACTOR OPERATION

1. With engine running and warm, place Throttle Control midway between "S" (slow) and "F" (fast) position.
2. Push Clutch-Brake Pedal down firmly (Fig. 8). Move Gear Shift Control Lever to desired gear and Range Shift Lever to "LO" (Low) position (Fig. 9).
3. Release Clutch-Brake Pedal **SLOWLY** to start forward or rearward movement.
4. If ground travel is too slow, move Throttle Control to "F" (fast) position or press Clutch-Brake Pedal and shift to a different gear.

NOTE: BRING TRACTOR TO COMPLETE STOP BEFORE SHIFTING GEARS. ALWAYS SELECT A GROUND TRAVEL SPEED THAT WILL SUIT THE TERRAIN AND THE ATTACHMENT BEING USED.



NEVER PLACE YOUR HANDS OR FEET IN OR UNDER ANY POWERED ATTACHMENT OR NEAR ANY MOVING PART WHILE TRACTOR OR ANY POWERED ATTACHMENT IS RUNNING.



DO NOT OPERATE THE MOWER WITHOUT THE DEFLECTOR SHIELD IN PLACE.

NOTE: A SPARK ARRESTER MUFFLER (PAGE 30) IS AVAILABLE AS AN ACCESSORY PART FOR YOUR TRACTOR. CHECK LEGAL REQUIREMENTS IN YOUR AREA.

STOPPING YOUR TRACTOR

1. Push Clutch-Brake Pedal into full "BRAKE" position.
2. Place Parking Brake Lever in "ENGAGED" position and release pressure from Clutch-Brake Pedal should remain in brake position. **NOTE: MAKE SURE PARKING BRAKE WILL HOLD TRACTOR SECURE.**
3. Move Shift Control Lever to "NEUTRAL" position.
4. Place Attachment Clutch Lever in "DISENGAGED" position.
5. Move Throttle Control to "S" (slow) position.
6. Turn Ignition Key to "OFF" position. Never use Choke to stop Engine.



REMOVE KEY WHEN LEAVING TRACTOR TO PREVENT UNAUTHORIZED USE.

TRANSPORTING YOUR TRACTOR

For pushing or towing your tractor, place Gear Shift Control Lever and Range Shift Lever to "N" neutral position (Fig. 9). **NOTE: DO NOT TOW YOUR TRACTOR FASTER THAN SIX MILES PER HOUR.**

TRACTOR OPERATION ON HILLS

1. Choose the lowest gear **BEFORE** starting up or down hills.



DO NOT DRIVE UP OR DOWN HILLS WITH SLOPES GREATER THAN 15°, AND DO NOT DRIVE ACROSS ANY SLOPE. REFER TO PAGE 47.

2. **AVOID STOPPING OR SHIFTING ON HILLS.**
 - a. If slowing is necessary, move Throttle Control Lever to middle position.



LEAVE ENOUGH ROOM WHEN STOPPING AND STARTING TO ALLOW SLIGHT TRACTOR ROLL DOWNHILL AS CLUTCH-BRAKE PEDAL MOVES THROUGH CLUTCH POSITION.

- b. If stopping is absolutely necessary, push Clutch-Brake Pedal quickly to brake position and engage Parking Brake.
- c. To restart your tractor, make sure tractor is in 1st gear and that you have allowed room to roll slightly downhill. Disengage Parking Brake and release Clutch-Brake Pedal **SLOWLY** to start tractor forward movement.

STARTING YOUR TRACTOR WITH A LOW BATTERY

If your Battery is too low to start the engine, it should be recharged. If "Jumper Cables" are used for emergency starting follow this procedure: NOTE: YOUR TRACTOR IS EQUIPPED WITH A 12 VOLT NEGATIVE GROUNDED SYSTEM, THE OTHER VEHICLE MUST ALSO BE A 12 VOLT NEGATIVE GROUNDED SYSTEM.

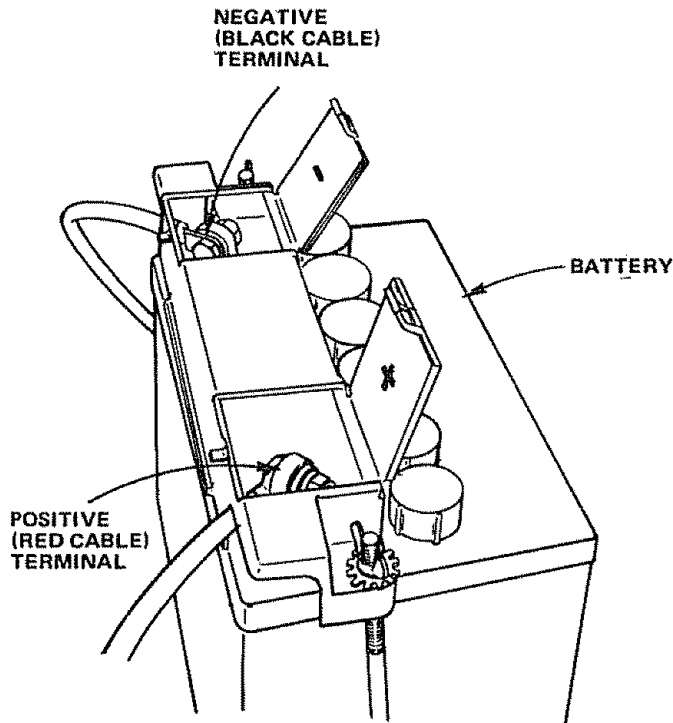


FIGURE 10



LEAD-ACID BATTERIES GENERATE EXPLOSIVE GASES. KEEP SPARKS, FLAME, AND SMOKING MATERIALS AWAY FROM BATTERIES. ALWAYS WEAR EYE PROTECTION AROUND BATTERIES.

1. Connect each end of the RED cable to the POSITIVE (+) terminals of each battery (taking care not to short against chassis) (Fig. 10).
2. Connect one end of the BLACK cable to the NEGATIVE (-) terminal of fully charged battery.
3. Connect the other end of the cable to ENGINE BLOCK or good CHASSIS GROUND on tractor (away from Gas Tank or Battery).
4. Disconnect cables in reverse order:
 - a. Engine Block or chassis of tractor.
 - b. Negative terminal of fully charged battery.
 - c. Positive terminals.

MOWER AND DRIVE BELT INSTALLATION

Your tractor has been shipped with the Mower Suspension Bracket banded to the frame. Remove bands and lower Mower Suspension Bracket (Fig. 11).

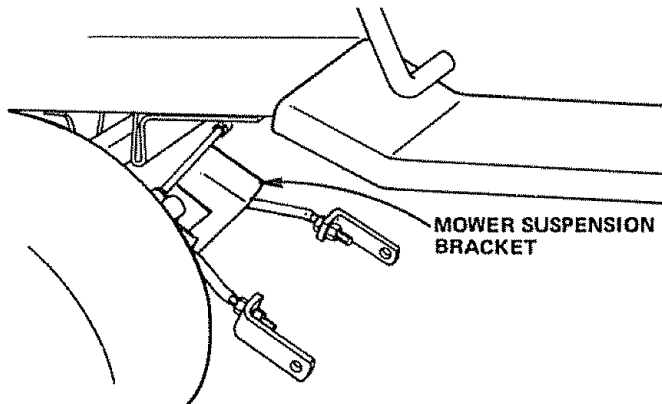


FIGURE 11

DRIVE BELT INSTALLATION

1. Remove Hood and Grill (see page 24).
2. Place Mower Drive Belt over Clutch Pulley and under Idler Pulley and Tension Pulley (Fig. 12). NOTE: PULL LEVER UP TO SWING TENSION PULLEY FOR BELT CLEARANCE. Make sure narrow "V" side of Belt is engaged with each Pulley.
3. Pull Mower Drive Belt over Front Mower Suspension Bracket (Fig. 13).
4. Replace Hood and Grill.

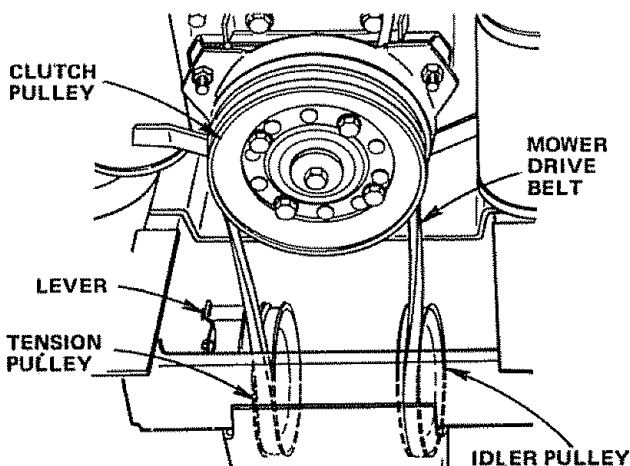


FIGURE 12

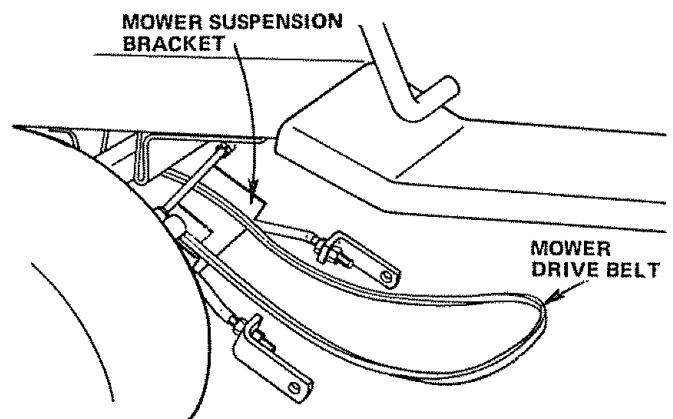


FIGURE 13

4. The Mower Suspension Arms and Fasteners (shown full size below) are found in Bag of Parts.

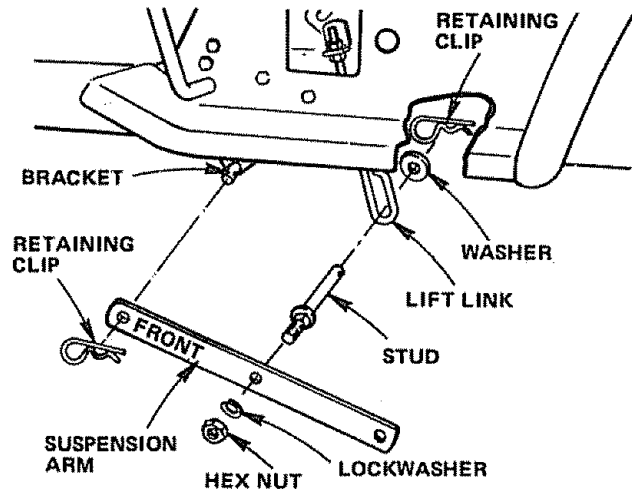
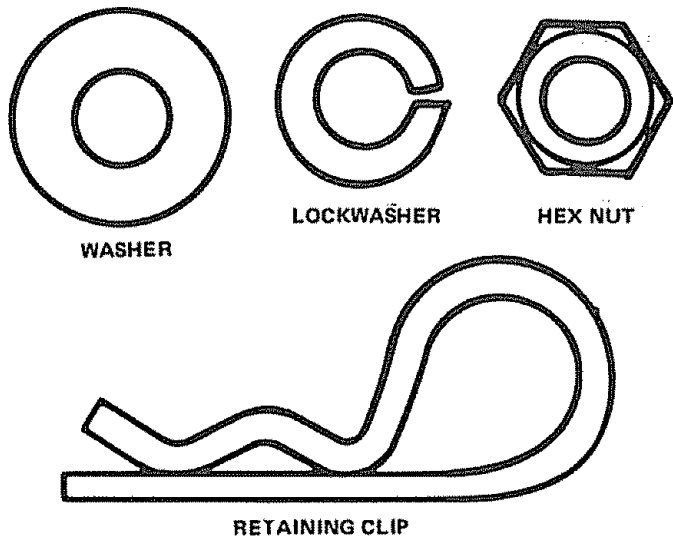


FIGURE 14

5. The Mower Suspension Arms have "FRONT" stamped between holes. Place the Suspension Arms on Brackets on both sides of Frame. Retain with Retaining Clip (Fig. 14).
6. Slide Mower under Tractor, Deflector to right hand side.
7. Slide Front Suspension Brackets into Mower Brackets. Retain with Release Pins (Fig. 15). Turn Depth Adjustment Knob counterclockwise (↺) until it stops.
8. Slide Suspension Arms into Rear Suspension Brackets. Retain with Release Pins (Fig. 15).
9. Turn Depth Adjustment Knob (Fig. 15) clockwise (↻) to remove slack from Mower Suspension. Raise Attachment Handle to full up position.
10. Press plunger down and push Attachment Handle forward to lower mower to ground. Roll Drive Belt over Primary Mandrel (Fig. 16).

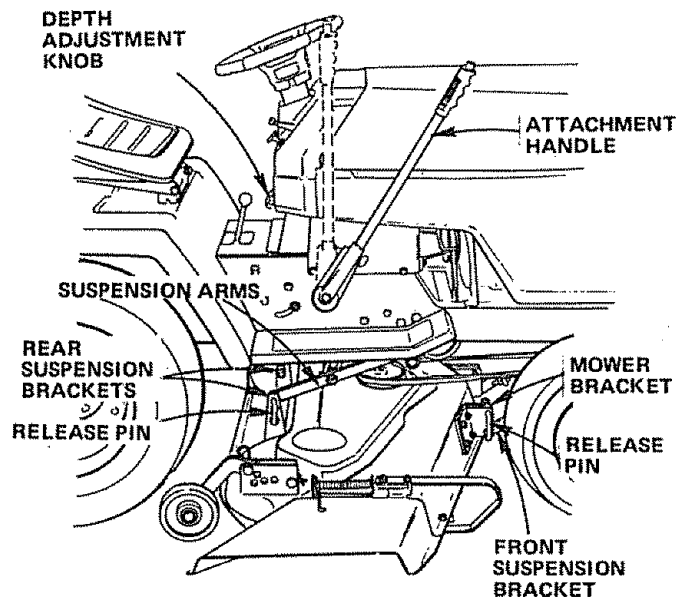


FIGURE 15

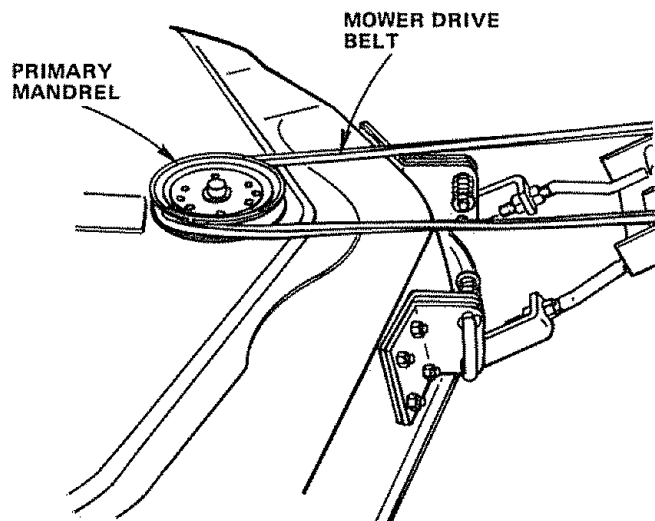


FIGURE 16

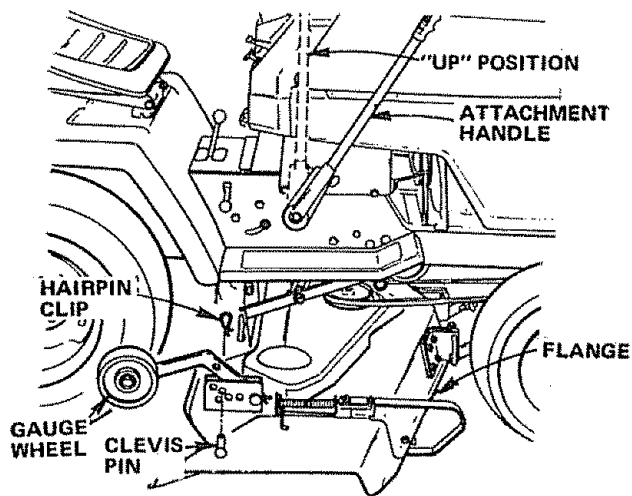


FIGURE 17

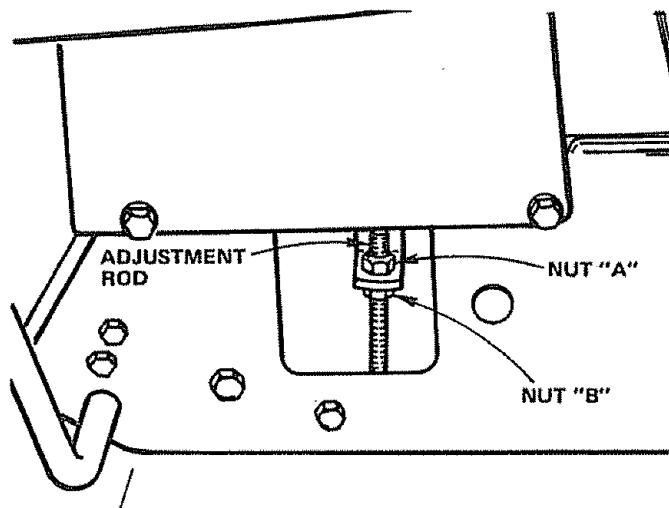


FIGURE 18

MOWER ADJUSTMENT

Adjust the mower while tractor is parked on level ground or driveway. Make sure tire pressures are 14 PSI in front; 10 PSI in rear.

SIDE TO SIDE ADJUSTMENT

1. Use a ruler to make sure Flanges at rear of mower deck are the same height from the ground on each side (Fig. 19).
2. If adjustment is required, snap out Access Cover on L.H. side of tractor above Foot Rest (Fig. 18).
3. Move Attachment Handle to full "UP" position (Fig. 17).
4. To lower right side of mower, loosen Nut "B" and screw Nut "A" down on Adjustment Rod.
5. To lower left side of mower, loosen Nut "B" and screw Nut "A" up on Adjustment Rod.
6. Adjust until both rear mower flanges are the same height above the ground. Tighten Nuts "A" and "B" securely. Snap Access Cover in place.

FRONT TO REAR ADJUSTMENT

Move Attachment Handle to full "UP" position (Fig. 17). After leveling side to side, measure R.H. Flanges at FRONT AND REAR OF MOWER. The R.H. Front Flange should measure 3/4" lower than the R.H. Rear Flange (Fig. 19). If adjustment is required, follow procedure below.

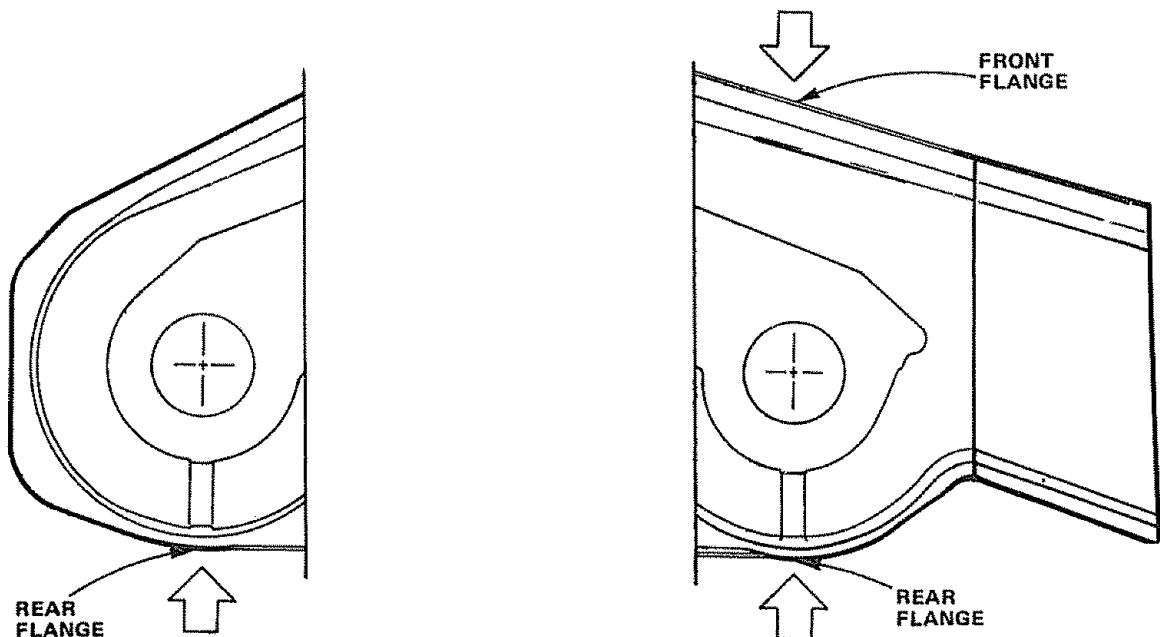


FIGURE 19

1. TO RAISE FRONT OF MOWER

Loosen Nuts "D". Screw Nuts "C" up onto Suspension Arms (Fig. 20). NOTE: SCREW NUTS "C" ON BOTH SUSPENSION ARMS THE SAME NUMBER OF TURNS SO MOWER WILL REMAIN LEVEL. Tighten Nuts "D" securely.

2. TO LOWER FRONT OF MOWER

Loosen Nuts "C". Screw Nuts "D" down Suspension Arms. NOTE: SCREW NUTS "D" THE SAME NUMBER OF TURNS SO MOWER WILL REMAIN LEVEL. Tighten Nuts "C" securely.

3. With mower deck at desired height, set Gauge Wheels (Fig. 17) to lowest position without touching the ground.

Use Adjustment Handle to set mower at the approximate cutting height you need. Use Clevis Pins (Fig. 17) to set gauge wheels at lowest point without touching the ground.

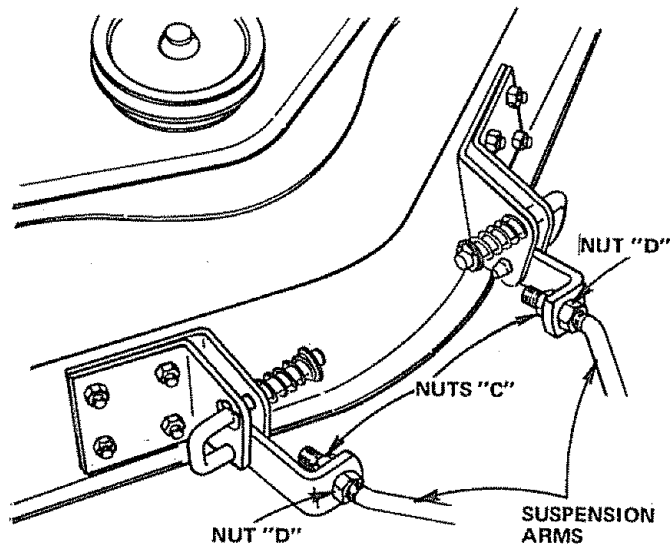


FIGURE 20

MOWER OPERATION

When ready to mow, lower Attachment Handle (Fig. 21) to preferred mower height. Select a gear that allows mowing at full throttle. This allows the mower blades to lift and cut the grass efficiently.

MOWER ENGAGEMENT

Pull Clutch Switch (Fig. 22) out and up to engage clutch. There will be an engine hesitation as the clutch engages.

DEPTH ADJUSTMENT

Fine adjustment of mower height is controlled by the Depth Adjustment Knob. Turn clockwise (↻) to raise mower. Turn counterclockwise (↺) to lower mower (Fig. 22).

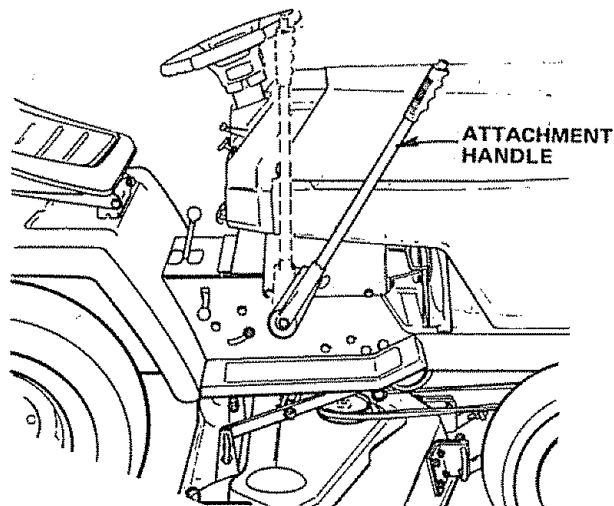


FIGURE 21

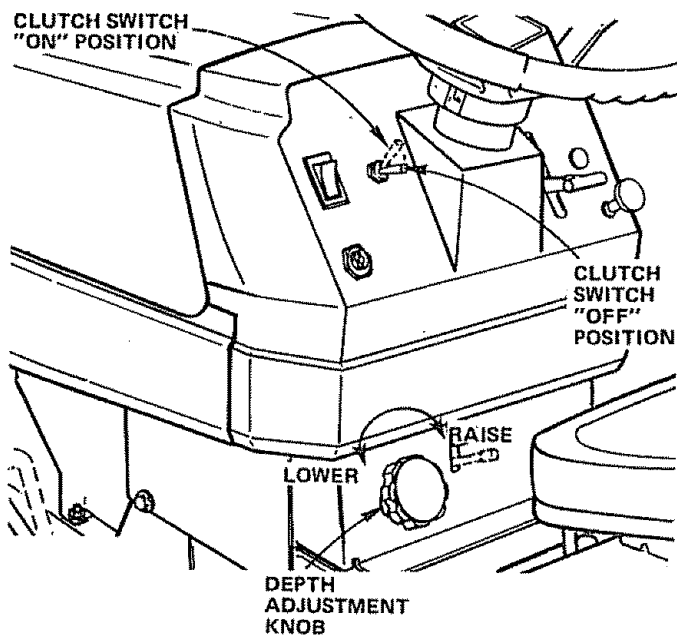


FIGURE 22

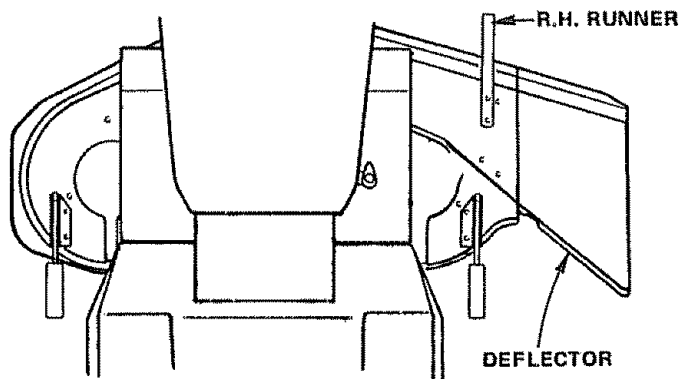


FIGURE 23

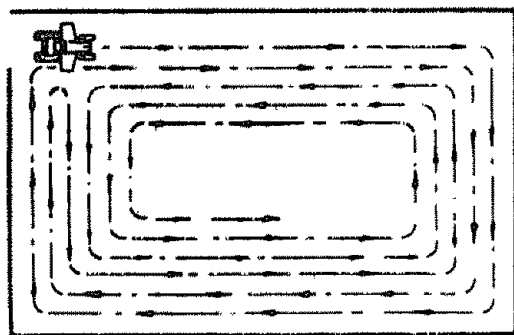


FIGURE 24

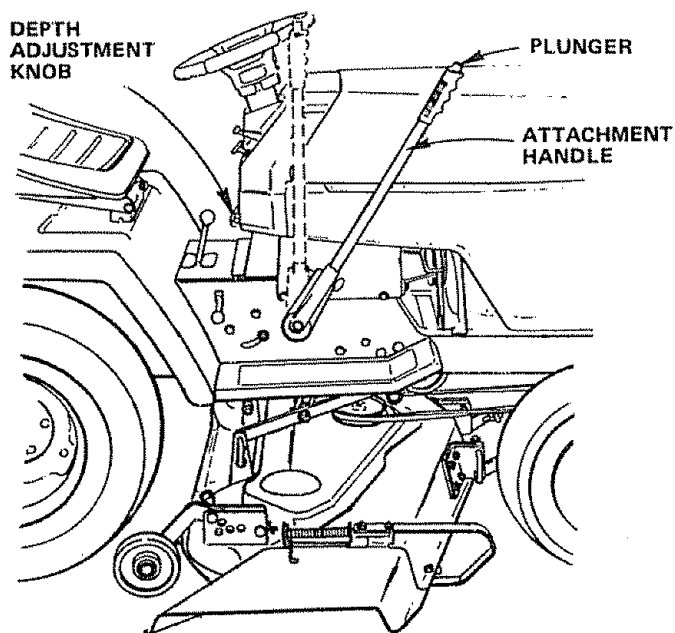


FIGURE 25

Use the Runner on the right hand side as a guide; the blade cuts approximately an inch outside the runner.



NEVER REMOVE DEFLECTOR. KEEP HANDS AND FEET FROM UNDER MOWER.



CAUTION

1. Keep all Shields in place.
2. Before leaving operator's position:
 - a. Shift transmission to neutral.
 - b. Set parking brake.
 - c. Disengage attachment clutch.
 - d. Shut off engine.
 - e. Remove ignition key.
3. Wait for all movement to stop before servicing machine.
4. Keep people and pets a safe distance away from machine.



NEVER ENGAGE ("ENGAGE" POSITION) MOWER EXCEPT WHEN SITTING ON TRACTOR SEAT.

TIRE CHAINS CANNOT BE USED WITH THE MOWER HOUSING ATTACHED.



READ THE "RULES FOR SAFE OPERATION" CAREFULLY BEFORE OPERATING YOUR MOWER. REFER TO PAGE 3.

5. Use Attachment Handle to lower mower into cutting position. Start mowing at slow speed and increase ground speed by increasing throttle as conditions will permit. Average cutting height is approximately 2 - 1/2 to 2 - 3/4 inches. Height of cut can be adjusted by means of the Depth Adjustment Knob (Fig. 25). Turn Depth Adjustment Knob (clockwise (↻) or counterclockwise (↺)) to match pre-selected Lift Control Lever mowing height.
6. Drive so that clippings are discharged onto the area that has been cut. Have the cut area to the right of the machine. This will result in a more even distribution of clippings and more uniform cutting. When mowing large areas (Fig. 24), start by turning to the right so that the clippings will be discharged away from shrubs, fences, driveways, etc. After two or three rounds, mow in the opposite direction making left hand turns until finished. If grass is extremely tall, it should be mowed twice. The first time cut relatively high. The second time to the desired height. The left hand side of mower should be used for trimming.

MOWER MAINTENANCE INSTRUCTIONS



BEFORE MAKING ANY INSPECTION, ADJUSTMENT OR REPAIR: PUSH TRACTOR CLUTCH-BRAKE PEDAL COMPLETELY INTO BRAKE POSITION. MOVE SHIFT CONTROL LEVER TO NEUTRAL POSITION. PLACE PARKING BRAKE IN "ENGAGED" POSITION. TURN OFF MOWER CLUTCH SWITCH (FIG. 26).



SHUT OFF THE ENGINE. MAKE ABSOLUTELY SURE THE BLADES AND ALL MOVING PARTS HAVE COMPLETELY STOPPED. REMOVE THE IGNITION KEY. DISCONNECT THE SPARK PLUG WIRES FROM THE SPARK PLUGS AND KEEP WIRES AWAY FROM THE PLUGS TO PREVENT INJURY FROM ACCIDENTAL STARTING.

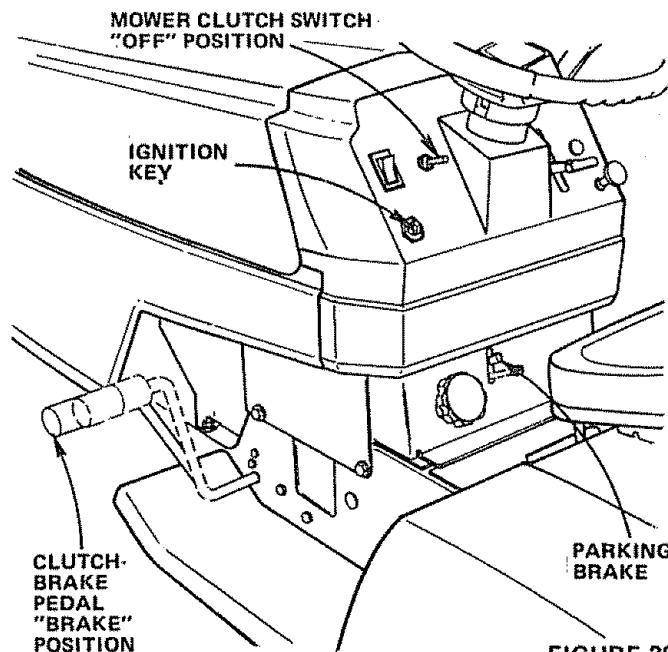


FIGURE 26

BLADE CARE

For best results mower blades must be kept sharp. The blades can be sharpened with a few strokes of a file or on a grinding wheel. We suggest they be sharpened after every 15 hours of mowing. Do not attempt to sharpen while on mower.

1. When grinding, care should be taken to maintain blade balance and the blade should be checked for proper balance before reinstallation on mower. Unbalanced or bent blade will cause excessive vibration when running and eventual damage to mower or engine. Replace bent or damaged blades.
2. To ensure satisfactory operation, it is recommended that before the start of each mowing season, the old blades be discarded and replaced with new blades. Mower blades can be purchased at any Sears Service Center/Departments and most Sears Retail Stores.

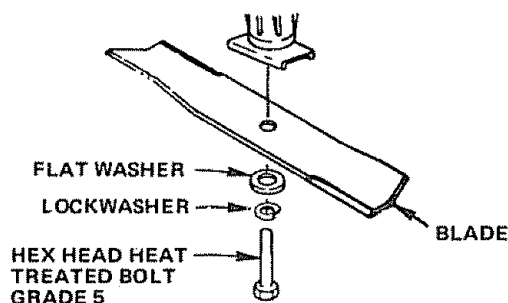
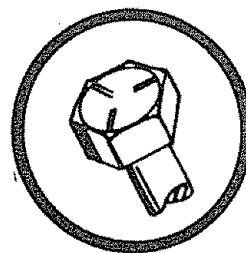


FIGURE 27

BLADE REPLACEMENT

It is not necessary to remove mower from tractor for blade replacement. By moving Lift Control Lever to up (Rear) position will permit access to blades.

1. Remove the Hex Head Bolt, Lockwasher and Flat Washer (Fig. 27).
2. Install new blade with SHARP EDGE DOWN and secure with Flat Washer, Lockwasher and Hex Head Bolt. TIGHTEN SECURELY.



A GRADE 5 HEAT TREATED BOLT CAN BE IDENTIFIED BY THREE LINES INDICATED ON THE BOLT HEAD AS SHOWN AT LEFT.



ALWAYS USE GRADE 5 HEAT TREATED BOLTS TO ATTACH BLADES. CHECK BOLTS IN BLADES OCCASIONALLY TO MAKE SURE BOLTS ARE TIGHT. TORQUE BOLTS 30 - 35 FT. LBS.

DAILY MAINTENANCE

Make sure all nuts on bolts are tight, cotter pins and retainer springs are secure. Keep blades sharp. Observe all safety precautions. Keep mower well lubricated.

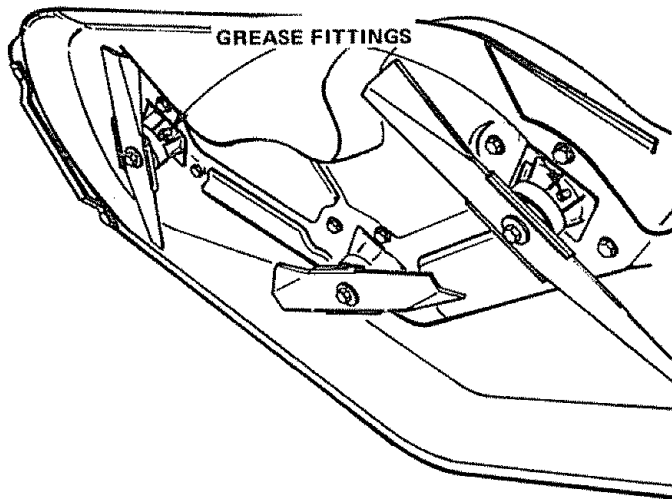


FIGURE 28

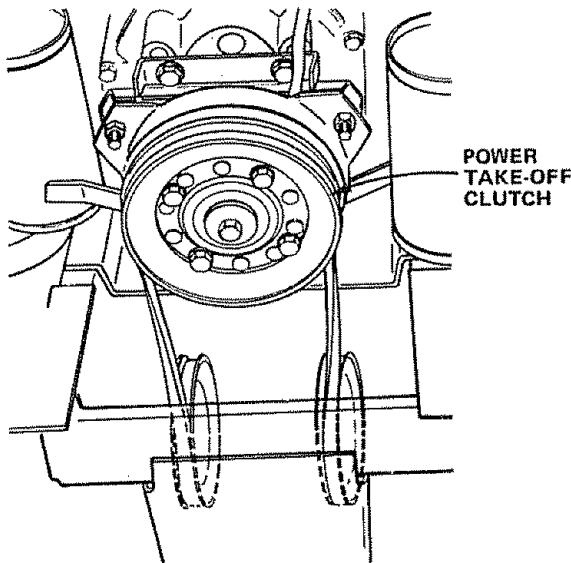


FIGURE 29

CLEANING MOWER



DISCONNECT SPARK PLUG WIRES TO PREVENT ACCIDENTAL STARTING BEFORE CLEANING.

Water pressure from a garden hose will remove fresh clippings from underside of mower. Clean mower after each mowing.

LUBRICATION

Under normal usage the Mandrels should require lubrication after every 50 hours of operation and at the end of each season. The outer Mandrels should be filled with grease (six shots) thru the Grease Fittings located between Mower Blade and underside of the Mower Housing (Fig. 28). Wipe fitting clean before greasing. Use high performance, extreme pressure lubricating grease, Amdex No. 1 EP or equivalent. This grease may be obtained by ordering thru your nearest Sears Repair Parts Department, Part No. 2557R or equivalent.

POWER TAKE - OFF CLUTCH

The Power Take-Off Clutch (Fig. 29) should provide years of service. The Clutch incorporates a built in brake that stops the Pulley almost immediately. Eventually, the internal brake will wear so the mower blades will not stop as recommended. Adjustment should be made by a Sears Service Technician.

OUTER BLADES DRIVE BELT (CENTER TO OUTER MANDRELS)

BELT ROUTING DECAL UNDER MOWER DECK COVER.

1. Remove Mower from Tractor (see below).
2. Remove Top Cover Self Tapping Screws, and Nut from Idler Arm Bolt.
3. Roll Belt over the top of the R.H. Mandrel.
4. Pull Belt off all other Mandrels.
5. Remove any dirt and grass which may have accumulated around Mandrels and Idler Arm.
6. Check Deck Idler Arm Assembly and Flat Idler to see that they rotate freely (Fig. 30).
7. Be sure spring is hooked in Deck Idler Arm Assembly and on bolt in Mower Housing (Fig. 30).
8. Install new Belt in groove of L.H. Mandrel Sheave, lower groove of Center Mandrel Sheave and around Flat Idler as shown (Fig. 30).
9. From a position at discharge end of mower, roll Belt into groove of R.H. Mandrel Sheave (Fig. 30).
10. Rotate Center Mandrel Sheave by hand to make sure Belt is in grooves properly.

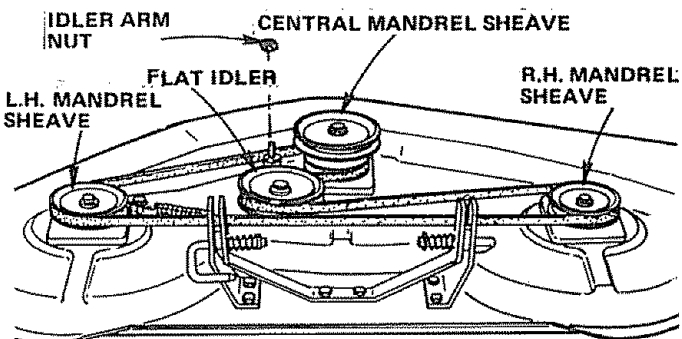



FIGURE 30



BLADES WILL ROTATE WITH CENTER MANDREL SHEAVE.

11. Reassemble Top Cover to Deck. Tighten all Screws securely.
12. Install Mower to tractor (see page 8).

REMOVING MOWER FROM TRACTOR

1. Lower Mower.
2. Pull the four (4) Release Pins out of Suspension Brackets (Fig. 31).
3. Pull back on Attachment Lift Handle and lock into place.
4. Slide Mower forward and remove Belt from Primary Mandrel.
5. Raise Attachment Lift Handle. Slide Mower out from under tractor.

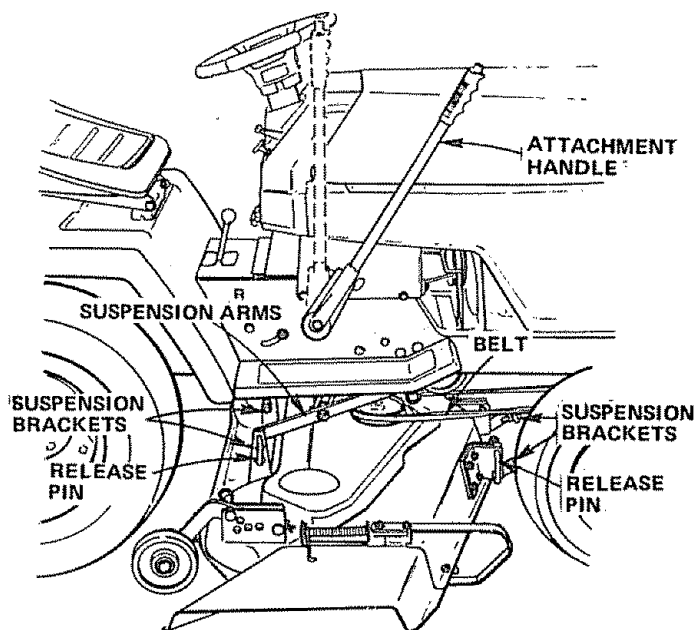


FIGURE 31

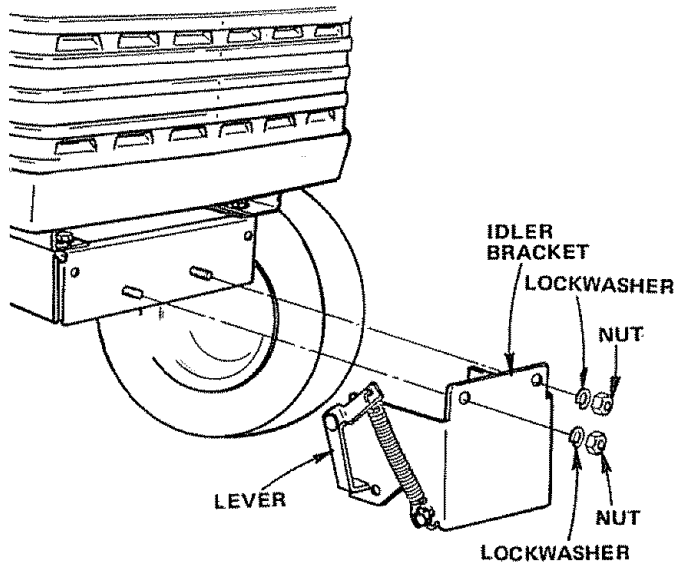


FIGURE 32

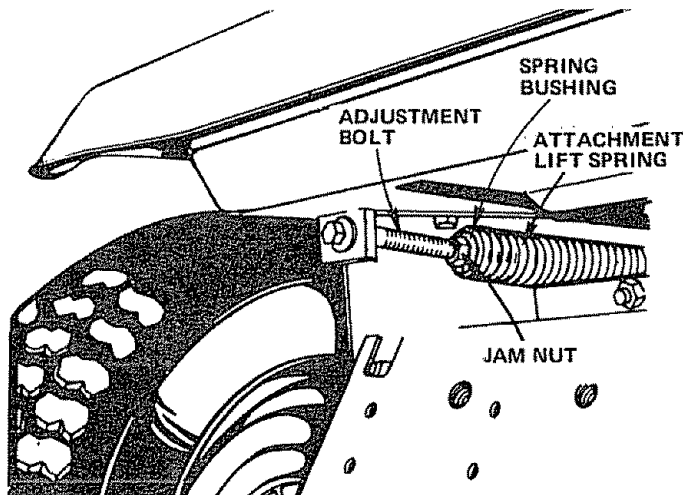


FIGURE 33

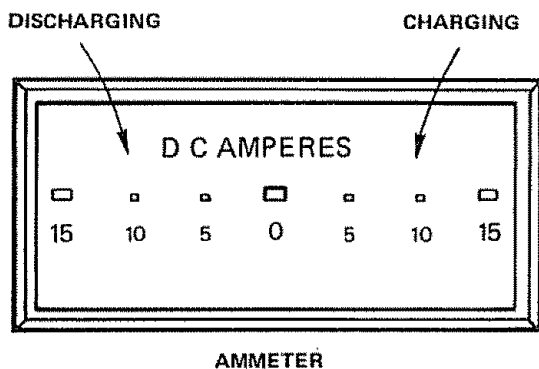


FIGURE 34

NOTE: WHEN OPERATING TRACTOR WITHOUT MOWER, REMOVE IDLER BRACKET FROM FRONT OF TRACTOR.

1. Pull Belt up through Idler Bracket and out of tractor. Use Lever to swing Tension Pulley for Belt removal.
2. Remove Lockwashers and Nuts from Idler Bracket (Fig. 32).

STORAGE

Remove mower from tractor for winter storage. When mower is to be stored for a period of time, clean it thoroughly, remove all dirt, grease, leaves, etc. Give blades and underside of housing a good coat of grease or rust preventative. Store in a clean dry area.

Each outer mandrel should be greased thru the Grease Fitting located between mower blade and underside of the mower housing (Fig. 28). Give each Grease Fitting 6 shots of Grease. Wipe fitting clean before greasing. Use high performance extreme pressure lubricating grease. (Amdex No. 1 EP or equivalent). Wipe mandrel clean of excess grease. This grease may be obtained by ordering thru your nearest Sears Repair Parts Department, Part No. 2557R.

ATTACHMENT LIFT ADJUSTMENT

Due to different weights of Attachments, the Attachment Lift Spring may require adjustment. The Adjustment Bolt is located on rear of tractor top left side (Fig. 33).

1. Holding Spring Bushing with Wrench, loosen Jam Nut.
2. Turn Adjustment Bolt clockwise (↻) to extend Spring and reduce lift effort (for heavier Attachments).
3. Turn Adjustment Bolt counterclockwise (↺) (for lighter Attachments).
4. Retighten Jam Nut against Spring Bushing.

NOTE: DO NOT ADJUST FOR MAXIMUM SPRING TENSION WHEN USING LIGHT ATTACHMENTS SUCH AS A MOWER. ADJUST LIFT SPRING TO AID IN LIFTING ATTACHMENT - DON'T OVER POWER SPRING. WHEN REMOVING ATTACHMENT ALWAYS ADJUST WITH SPRING TENSION TO ITS LOWEST POSITION.

TRACTOR MAINTENANCE INSTRUCTIONS

To keep your tractor running better, longer; perform necessary service using the following Maintenance Schedule.

Each time you start your tractor, check your Ammeter (Fig. 34). The needle should move towards the + (charging) mark indicating the battery is being charged as you operate the tractor. The headlights will not show a discharge on the ammeter because they are not connected to the battery (they have their own electrical source, see page 26). If you have a lift motor connected it will show a discharge when being operated.



DISCONNECT SPARK PLUG WIRES TO PREVENT ACCIDENTAL STARTING BEFORE MAKING ANY INSPECTION, ADJUSTMENT OR REPAIR (EXCEPT CARBURETOR).

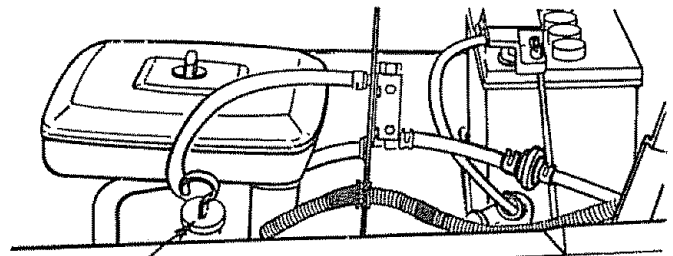
FIRST 2 HOURS

1. CHANGE ENGINE OIL

Changing Oil after the first two hours will help eliminate break-in residue which might be damaging to your Engine.

NOTE: BE CAREFUL. NOT TO ALLOW DIRT TO ENTER THE ENGINE WHEN CHANGING OIL.

- a. Drain oil with Engine warm. Remove Hood and Grill (see page 24). Place Hose on Oil Drain and loosen Oil Drain Wing Nut. Catch oil in a suitable container. Tighten Oil Drain Wing Nut after all oil has been drained from Engine. Remove Hose from Oil Drain.
- b. Refill Engine Oil. (See chart, page 6). Refill capacity is 3 pints. **NOTE: DO NOT OVERFILL.** Replace Dipstick.



ENGINE OIL
DIPSTICK
AND FILL TUBE

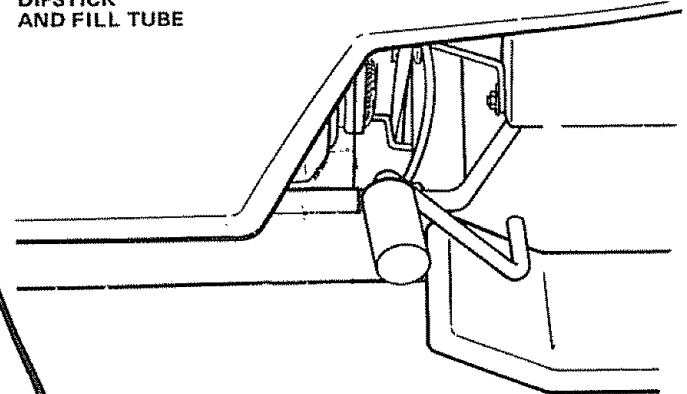


FIGURE 35

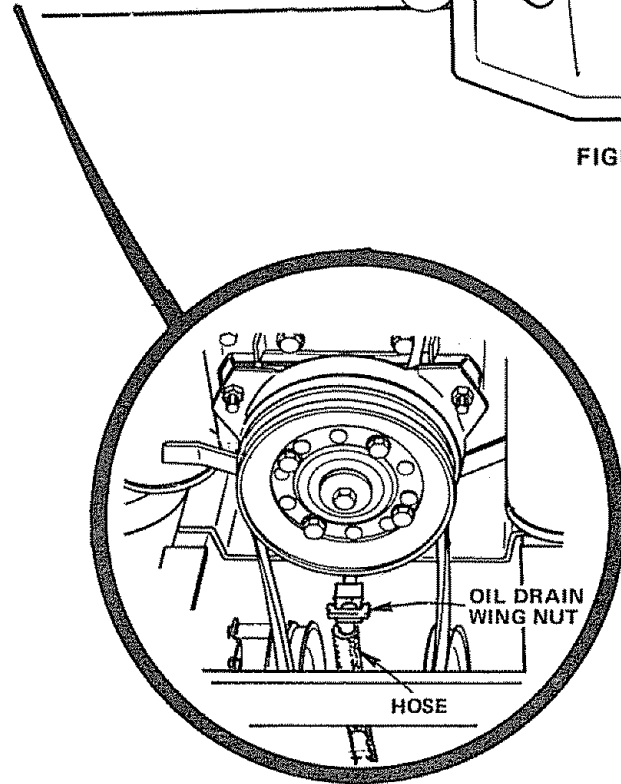
EVERY 5 HOURS

1. CHECK ENGINE OIL LEVEL



DO NOT CHECK ENGINE OIL LEVEL WITH ENGINE RUNNING.

Several minutes after stopping Engine, check Engine Oil Level with Tractor on level ground. Wipe dipstick (Fig. 35) clean, push it down tight for a few seconds, remove and read Oil Level. If necessary, add Oil until "FULL" mark is reached. (See chart, page 6). **NOTE: DO NOT OVERFILL.**



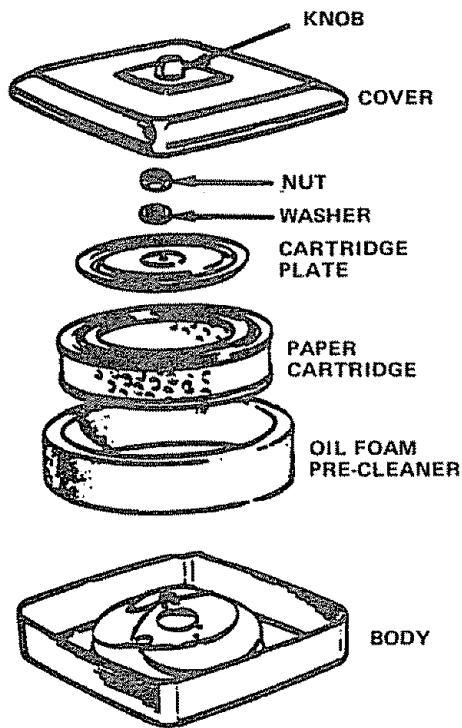


FIGURE 36

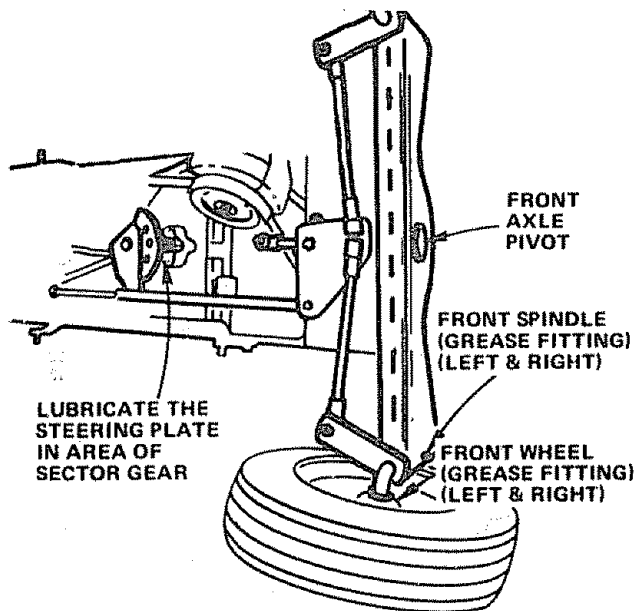
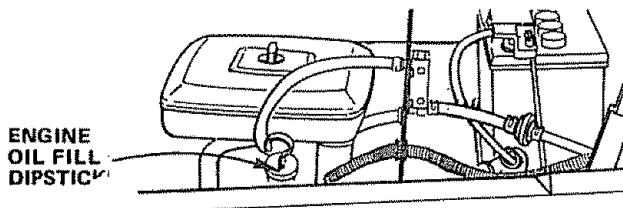


FIGURE 37



ENGINE OIL FILL DIPSTICK

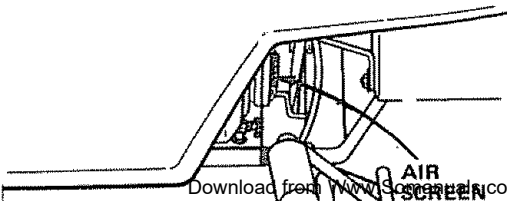


FIGURE 38

EVERY 25 HOURS

(EVERY 15 HOURS IF OPERATING IN VERY DUSTY CONDITIONS)

1. CLEAN AIR FILTER

- Unscrew Knob (Fig. 36) to remove Cover.
 - Remove Nut and Washer to remove Cartridge Plate, Paper Cartridge and Oil Foam Pre-Cleaner.
 - Wash Foam Pre-Cleaner in detergent and water.
 - Rinse, squeeze (rather than twist) and allow to dry thoroughly.
 - Coat with three Tablespoons of S.A.E. 30 Engine Oil, squeeze to distribute evenly, and squeeze out excess.
 - Check Paper Cartridge. Replace if excessively dirty.
 - Reassemble Paper Cartridge and re-position on Tractor.
- NOTE: NEVER RUN ENGINE WITH AIR CLEANER REMOVED AS DIRT (DUST) WILL DAMAGE THE ENGINE.

2. CLEAN AIR SCREEN

Air Screen (Fig. 38) must allow free-flow of air to prevent Engine damage from overheating. Clean with a wire brush, or compressed air to remove dirt, chaff, stubborn dried gum and fibers.

3. CHANGE ENGINE OIL

The best time to drain Engine Oil is at the end of a day's operation when all dirt and foreign materials are suspended in the hot Oil. Refer to page 17.

4. CLEAN FRONT GRILL

The front Grill (Fig. 2) must allow free flow of air to prevent engine damage from overheating.

- Brush off debris.

5. LUBRICATE STEERING AND FRONT WHEELS

There are four Grease Fittings on your Tractor (Fig. 37). Using a Grease Gun, give each Grease Fitting two shots of Extreme Pressure Lubricating Grease Amdex No. 1 or equivalent (available through your Sears Service Center). Sears Part No. 2557R.

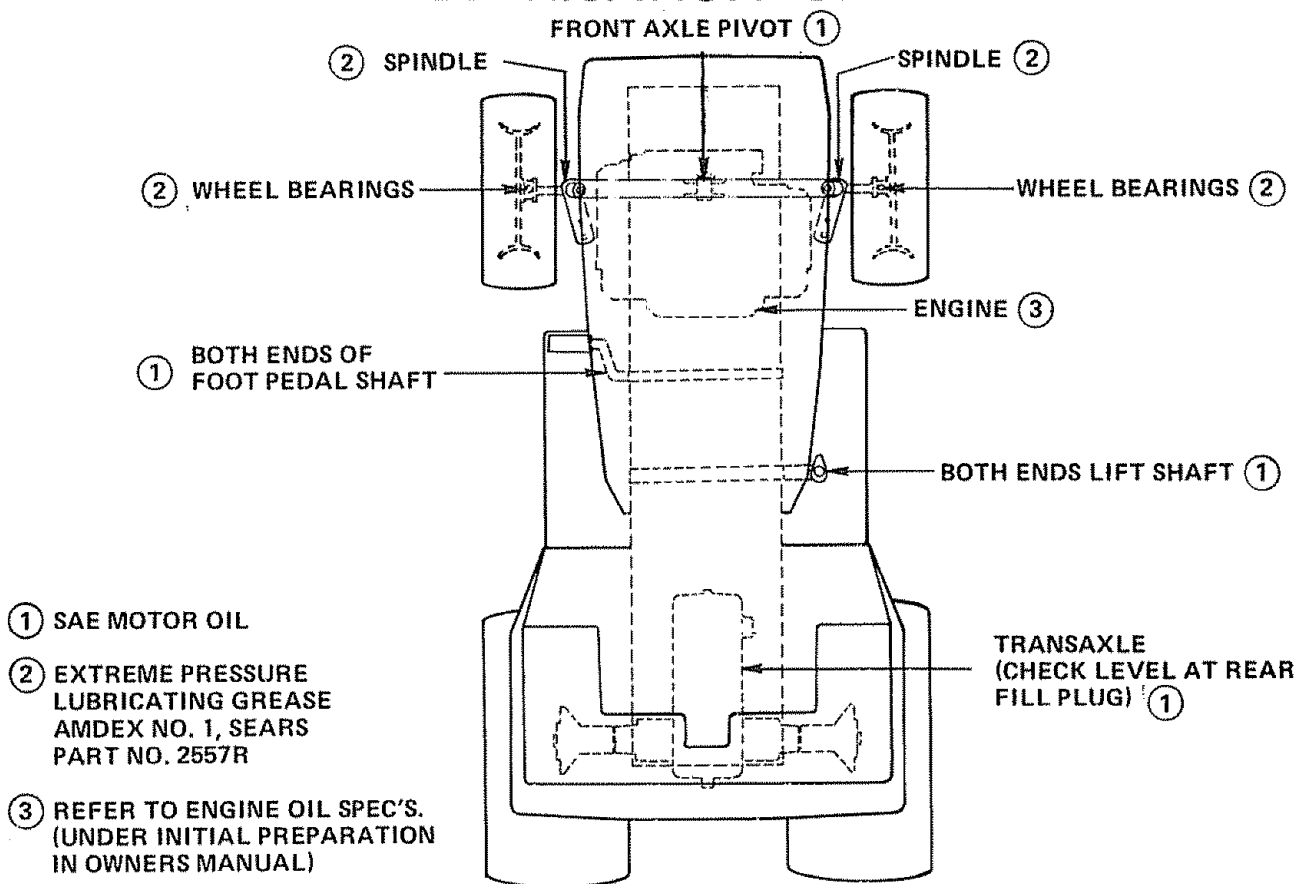
6. OIL PIVOT POINTS

Place several drops of S.A.E. 30 Oil at points where parts move against each other, especially:

- Front Axle Pivot.
- Hood Hinges.
- Foot Pedal Shaft (both ends).
- Lift Shaft (both ends).
- Steering Plate.

SEE LUBRICATION CHART, PAGE 19.

LUBRICATION CHART



SEE PAGE 14 FOR MOWER LUBRICATION.

7. CHECK BATTERY

- Electrolyte solution level in each Battery Cell should be even with bottoms of tubes in cells (Fig. 39). Add distilled water if necessary. **NOTE: DO NOT OVERFILL.**
- Keep Battery and Terminals clean. Refer to step 8.
- Keep Battery Bolts tight.
- Keep Vent Caps tight and small vent holes in Caps open.
- Recharge **SLOWLY** at 3 amperes if necessary.

CUT-AWAY VIEW

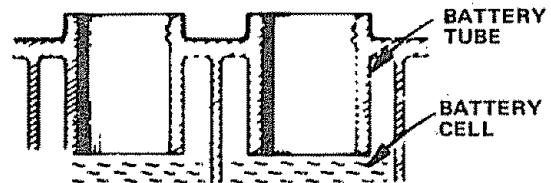


FIGURE 39

8. CLEAN BATTERY AND TERMINALS

Corrosion and dirt on the Battery and Terminals cause the Battery to "leak" power and hinders the operation of the charger.

- Remove the Battery from the Tractor and wash with four tablespoons of baking soda to one gallon of water. **NOTE: BE CAREFUL NOT TO GET THE SODA SOLUTION INTO THE CELLS.** Rinse the Battery with plain water, dry and reinstall on Tractor.
- Clean terminals and cable ends with a wire brush until bright. Replace Battery Cables. Coat terminal connections with Vasoline.

EVERY 50 HOURS

1. CLEAN ENGINE COOLING FINS

Remove any dust, dirt or oil from Engine Cooling Fins to prevent Engine damage from overheating (Fig. 41). Air Guide Covers must be removed (Fig. 40).

2. MUFFLER

Do not operate the tractor without a Muffler (Fig. 40) or tamper with the exhaust system. Damaged Mufflers or spark arresters could create a fire hazard. Inspect periodically and replace if necessary. If your engine is equipped with a spark arrester screen assembly, remove every 50 hours for cleaning and inspection. Replace if damaged.

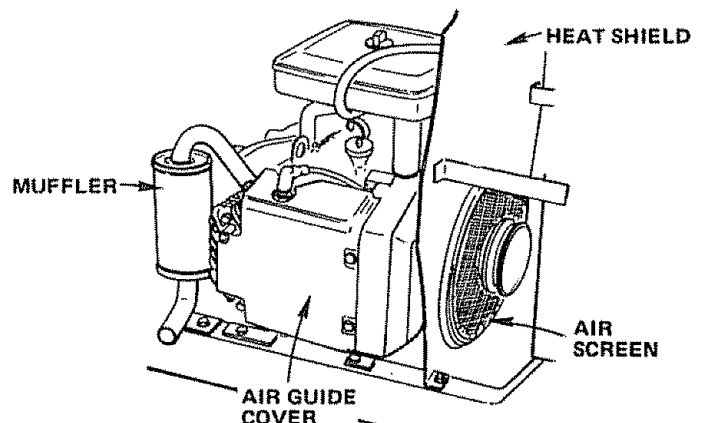


FIGURE 40

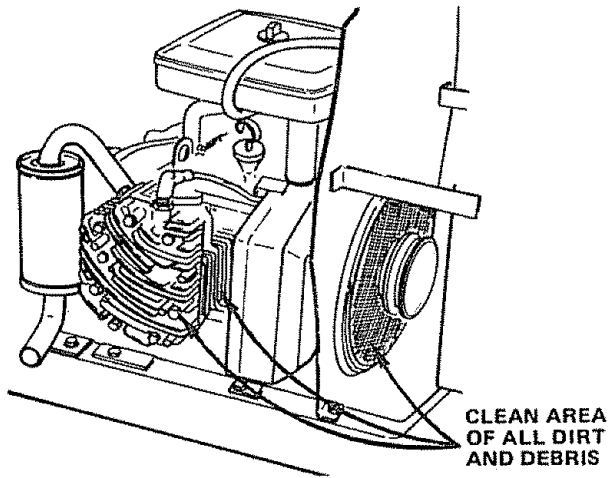


FIGURE 41

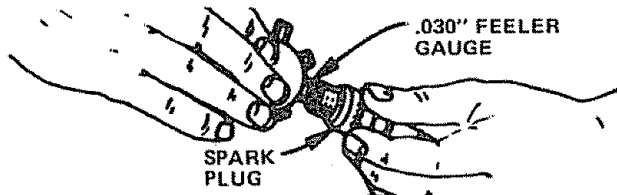


FIGURE 42

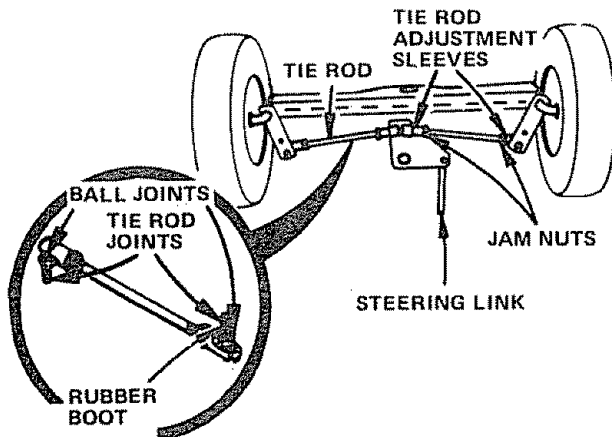


FIGURE 43

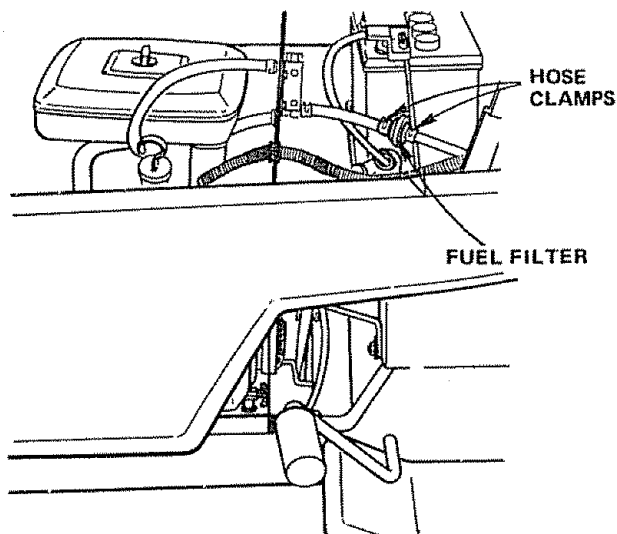


FIGURE 44

EVERY 100 HOURS

1. REPLACE SPARK PLUGS

Replace Spark Plugs at the beginning of each season or every 100 hours, whichever comes first. Gap should be set at .030 inch (Fig. 42).

2. LUBRICATE BALL JOINTS

- Move Rubber Boots to expose Ball Joints on Tie Rods and Steering Link (Fig. 43).
- Coat Ball Joints with Silicone Spray Lubricant.
- Reposition Rubber Boots.

EVERY 200 HOURS

1. REPLACE AIR CLEANER PAPER CARTRIDGE

Refer to page 18.

2. REPLACE IN-LINE FUEL FILTER

- Remove Hose Clamps from Fuel Lines at Fuel Filter (Fig. 44).
- Remove Fuel Filter.
- Place new Fuel Filter in position with fuel line (arrow on side of Filter in direction of Fuel Filter) and reinstall Hose Clamps.



BE SURE THERE ARE NO FUEL LINE LEAKS AND THAT HOSE CLAMPS ARE PROPERLY INSTALLED.

EVERY 500 HOURS

1. CHANGE TRANSAXLE OIL

- Block up Rear Axle (Fig. 45) securely or use a Tractor Jack. Remove left Rear Wheel by removing Hub Bolts.
- Drain Transaxle Oil by removing Drain and Filler Plugs (Fig's. 45 & 47) and catching Oil in suitable container. Replace Drain Plug.
- Refill Transaxle with S.A.E. 30 (SC, SD or SE) Motor Oil. Capacity is 5 quarts. Pressure Relief Valve (R.H. side of Transaxle) (Fig. 45 - Inset) may be held open to allow Transaxle to fill more quickly.
- Check Pressure Relief Valve. It should spring completely closed when pulled out by hand and released.
- Reposition wheel. Secure with Hub Bolts.

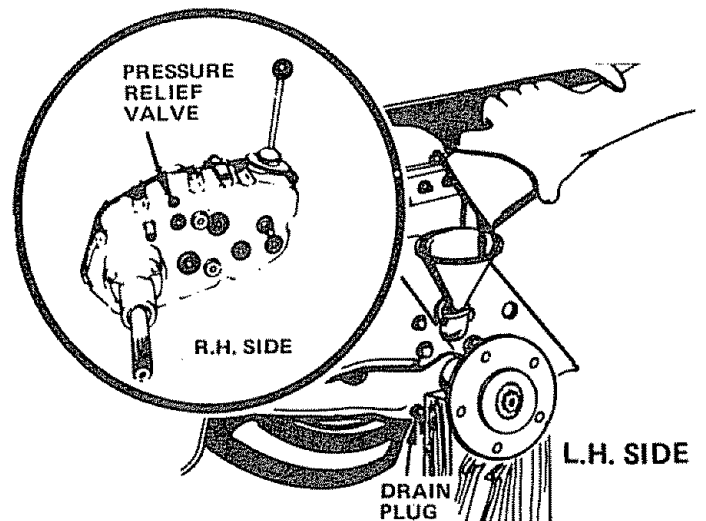


FIGURE 45

AS NEEDED

1. Make sure all nuts on bolts are tight and cotter pins are secure. Observe all safety precautions. Keep Tractor well lubricated (refer to page 18).

2. TOE-IN ADJUSTMENT

If any parts in Front Axle or Steering Mechanism are being replaced, Toe-In adjustment is required.

- Loosen Jam Nuts (Fig. 46) at each end of Tie Rod Adjustment Sleeves.
- Adjust both Tie Rods so that Tie Rod Joints measure $9 - 5/8''$ from center to center.
- On front of front tires measure distance from center to center (measurement No. 1).
- On rear of front tires measure distance from center to center (measurement No. 2).
- Compare measurements - measurement No. 1 should be $1/8 - 1/4$ less than measurement No. 2.
- If not adjust each Tie Rod equally to get correct measurement.
- Tighten Jam Nuts making sure Tie Rod Joints are parallel (180°) to each other. This adjustment secures proper front wheel Toe-In and Steering operation.

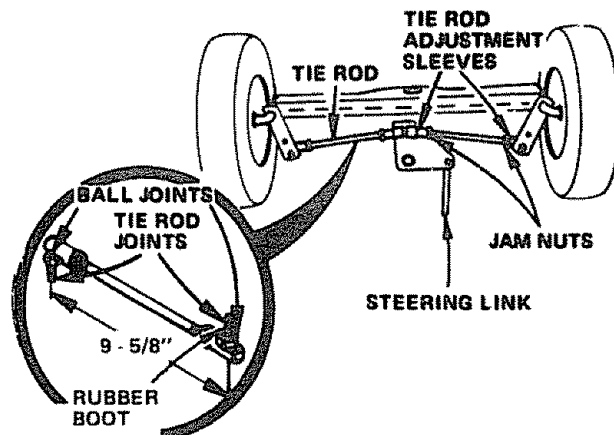


FIGURE 46

3. CHECK TRANSAXLE OIL LEVEL

- Remove Filler Plug (Fig. 47) from Transaxle. Oil Level should be even with Filler Plug threads. Add S.A.E. 30 Motor Oil if necessary.
- Check Pressure Relief Valve (Fig. 45 - Inset) located on R.H. side near top. It should spring completely closed when pulled out by hand and released.

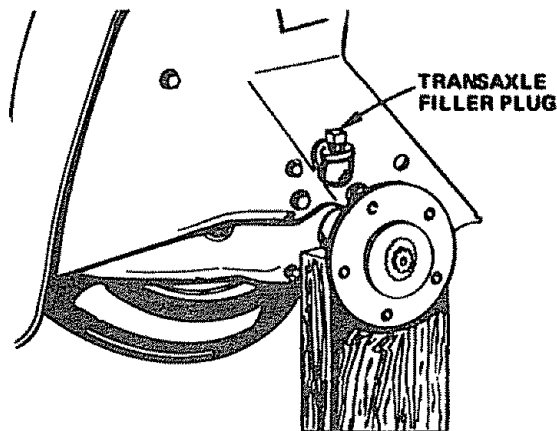


FIGURE 47

4. BRAKE ADJUSTMENT



IF TRACTOR REQUIRES MORE THAN SIX FEET STOPPING DISTANCE IN HIGHEST GEAR ON A LEVEL DRY CONCRETE OR PAVED SURFACE THEN BRAKE MUST BE ADJUSTED.

- Remove (4) Hex Washer Head Tapping Screws from Shift Cover Plate (Fig. 48), located on top of tractor frame. Remove the Cover Plate.
- Loosen Jam Nut (G) on Brake Rod (B) at Clevis (C) (Fig. 49). If you find it difficult to loosen Jam Nut (G), remove Cover Plate in L.H. Frame Rail.
- Rotate Brake Rod (B) counterclockwise, (↺) turning Brake Rod out of Clevis (C) four to six turns.
- Start tractor with Transmission in "NEUTRAL" position.
- Depress Brake-Clutch Pedal to the point where Belt stops moving. Hold Brake-Clutch Pedal in position by engaging Parking Brake. If Belt begins to move after engaging Parking Brake, depress Brake-Clutch Pedal to next notch on Parking Brake.
- Shut engine off. Rotate Brake Rod (B) clockwise by hand, turning Brake Rod into Clevis (C), until tight. Tighten Jam Nut (G) on Brake Rod (B) at Clevis (C) (Fig. 49).
- Reinstall Lift Cover Plate and four (4) Mounting Screws. If Cover Plate was removed in step b it should be replaced.

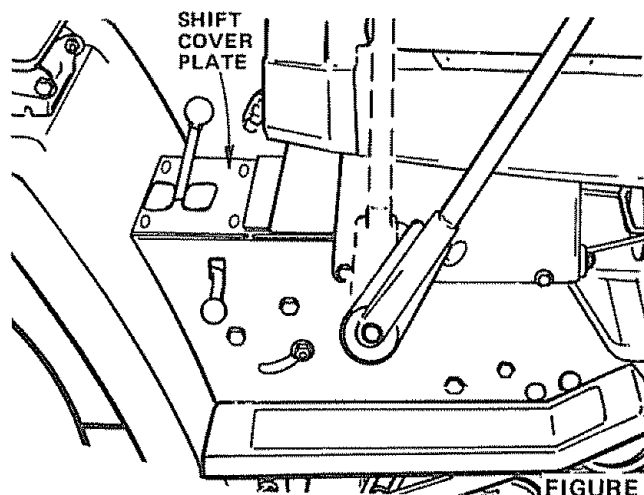


FIGURE 48

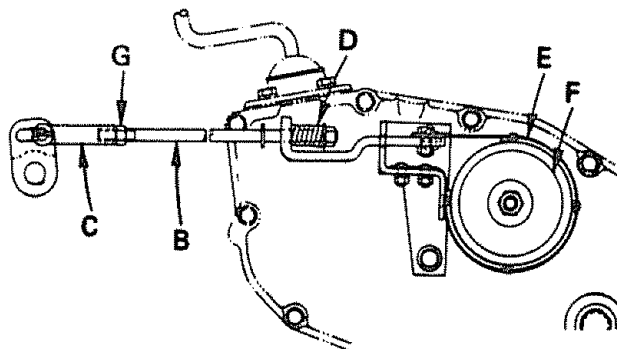


FIGURE 49

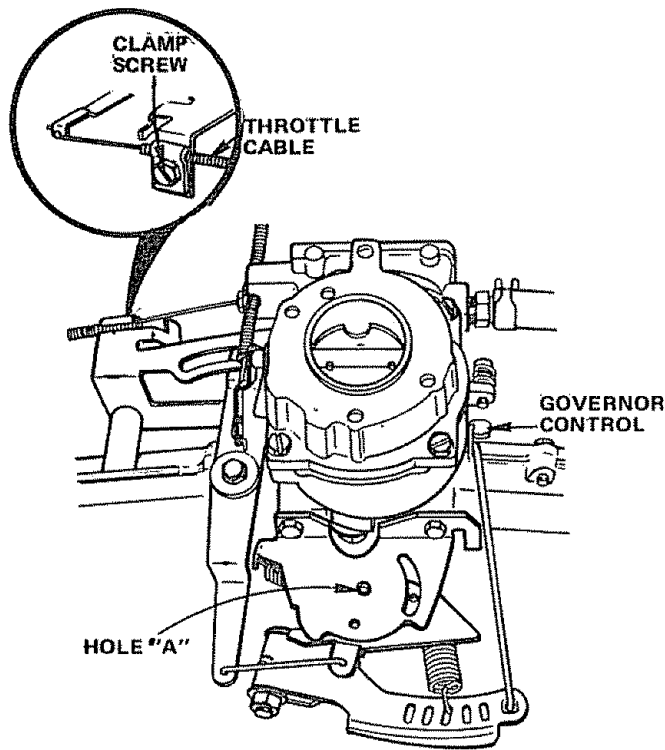


FIGURE 50

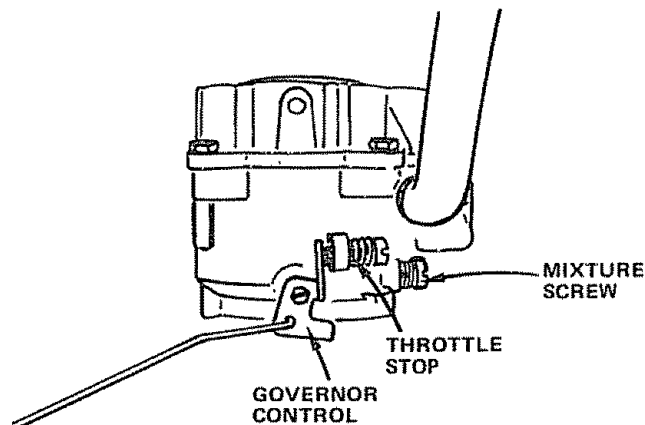


FIGURE 51

R.H. SIDE OF TRACTOR

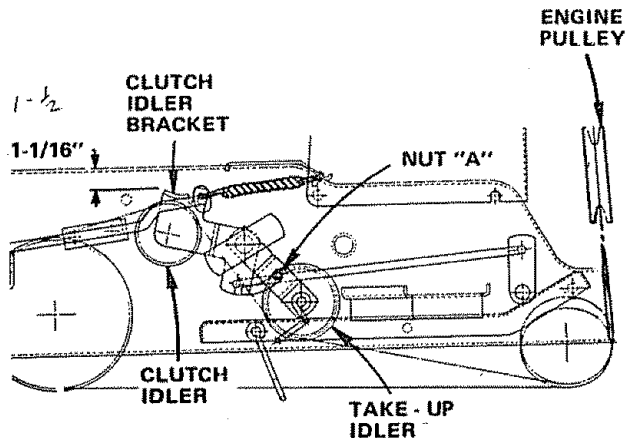


FIGURE 52

5. CARBURETOR ADJUSTMENT

Never attempt to change maximum engine speed. This is preset at the factory and should only be changed by a qualified service technician who has the necessary equipment.

- a. Move Throttle Control (on the dashboard) to "SLOW" position. Remove Air Cleaner (Fig. 36).
- b. Check that two holes "A" line up. If not, loosen Clamp Screw and adjust Throttle Cable until the two holes do line up (Fig. 50 - Inset).



REFER TO "STARTING THE ENGINE",
PAGE 6.

- c. Start Engine and allow to warm for five minutes. Make final adjustments with engine running.
- d. High Speed is fixed, no adjustment is possible.
- e. Adjust Carburetor Mixture Screw to suggested initial setting.
 - Turn Mixture Screw clockwise (↻) closing finger tight ONLY, and then turn counterclockwise (↺) 1 - 1/2 turns (Fig. 51). CAUTION: VALVE MAY BE DAMAGED IF TURNED IN TOO FAR.
- f. Hold Governor Control against Throttle Stop. Turn Mixture Screw clockwise (↻) until engine begins to run rough (Fig. 51).
- g. Turn Mixture Screw counterclockwise (↺) until engine begins to run rough. Set Mixture at smoothest idle between the two points attained in steps f and g.
- h. Release Governor Control. Engine will speed up for governed idle. Replace Air Cleaner.

6. V-BELT ADJUSTMENT

A new V-Belt may stretch after the first few hours of operation resulting in loss of ground speed.

- a. To tighten Belt, remove (4) Hex Washer Head Tapping Screws from Shift Cover Plate (Fig. 48) located on top of tractor frame. Remove the Cover Plate.
- b. Place Parking Brake Lever in "ENGAGED" position. Refer to "Stopping Your Tractor, page 7.
- c. Loosen Nut "A" located on outside of R.H. Chassis Frame (Fig. 56), slide Take-Up Idler down approximately 1/2" and tighten Nut "A".
- d. Disengage Parking Brake.
- e. Check position of Clutch Idler Bracket (Fig. 52).
- f. Repeat steps b thru e until a 1 - 1/16" dimension is obtained between Idler Tab and Frame as shown in Fig 52.
- g. Tighten Nut "A" securely.
- h. Reinstall Shift Cover Plate and (4) Screws removed in step a.

7. V-BELT REPLACEMENT

BELT REMOVAL

The belt on this tractor is special for this application. Always replace with the Sears belt number in the parts list. It is not necessary to remove mower.

- a. Raise hood and disconnect negative ground battery cable.
- b. Set parking brake (to get belt slack).
- c. Loosen (do not remove) two Engine Pulley Belt Guide Bolts and swivel R.H. side of Belt Guide up. Tighten L.H. Bolt to hold Belt Guide in position (Fig. 53).
- d. Roll Belt off Engine Pulley.
- e. Roll Belt off "V" Idler, Flat Idler and Adjustable Idler Pulleys (Fig. 54).
- f. Pull Belt off Clutch Pulley - between Pulley and Frame. Pull Belt off Transaxle Pulley.
- g. Loosen Nut "A" on R.H. outside of Frame (Fig. 56).

BELT INSTALLATION

NOTE: THERE IS A BELT INSTALLATION DECAL UNDER LEFT HAND FOOTREST.

- a. Push Belt down from Engine Pulley area. Place back (flat) side of Belt on Flat Idler. (Flat Idler is next to Frame.)
- b. Place Belt on Adjustable Idler and over Clutch Pulley. "V" (narrow) part of Belt should engage Clutch Pulley.
- c. Place Belt around Transaxle Pulley. "V" part of Belt should engage Transaxle Pulley.
- d. Make sure "V" part of Belt engages "V" Idler (Fig. 54).
- e. Roll Belt over Engine Pulley.
- f. Loosen L.H. Engine Pulley Belt Guide Bolt and swivel Belt Guide onto R.H. Bolt. Tighten L.H. and R.H. Bolts securely (Fig. 55).
- g. Release Parking Brake. NOTE: WHEN A NEW BELT HAS BEEN INSTALLED, YOU MUST CHECK V-BELT ADJUSTMENT AND BRAKE ADJUSTMENT.

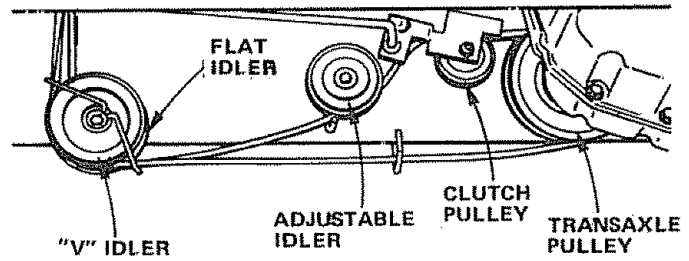


FIGURE 54

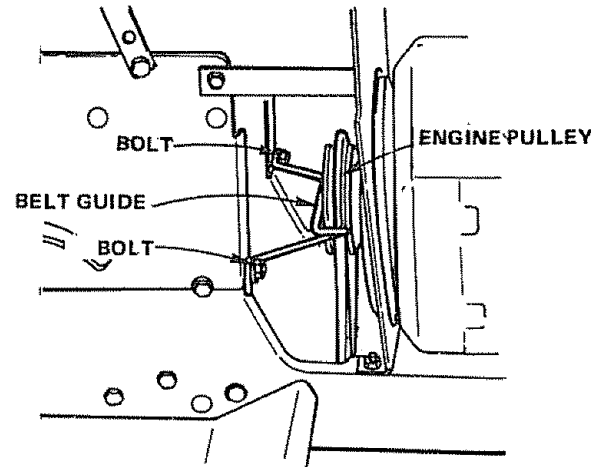


FIGURE 55

8. TIRE CARE

- a. Maintain tire pressure in front at 14 PSI and rear tires at 10 PSI.
- b. Keep tires free of gasoline, oil, or insect control chemicals which can destroy rubber.
- c. Avoid stumps, stones, deep ruts and other hazards that may cause tire damage.
- d. Removing front wheel for tire repair (Fig. 57).
 - Block up front axle securely.
 - Remove Hub Cap, Klip Ring and Washer to allow wheel removal.
 - Repair tire and reassemble. Replace Washer and snap Klip Ring securely in axle groove. Replace Hub Cap.
- e. Removing rear wheel for tire repair.
 - Block up rear axle securely.
 - Remove Hub Cap and (5) Hub Bolts to allow wheel removal.
 - Repair tire and reassemble. Replace and tighten Hub Bolts and Hub Cap securely.

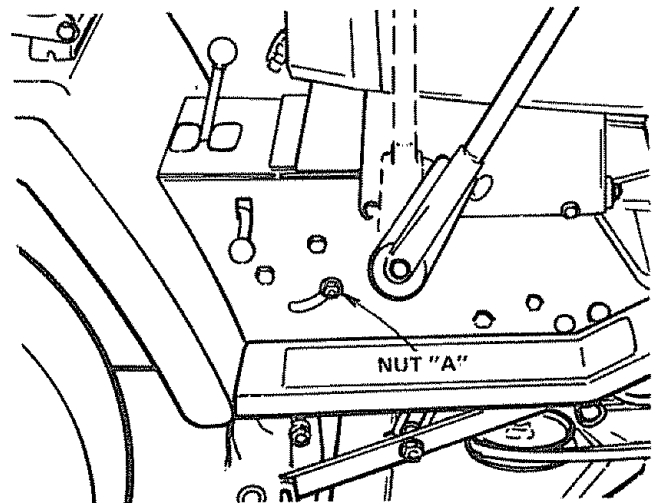


FIGURE 56



WHEN MOUNTING TIRES, UNLESS BEADS ARE SEATED, OVERINFLATION CAN CAUSE A FATAL EXPLOSION.

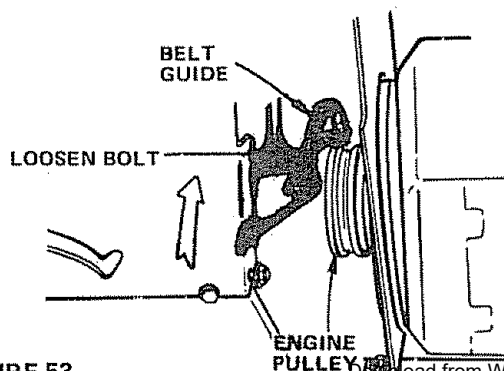


FIGURE 53

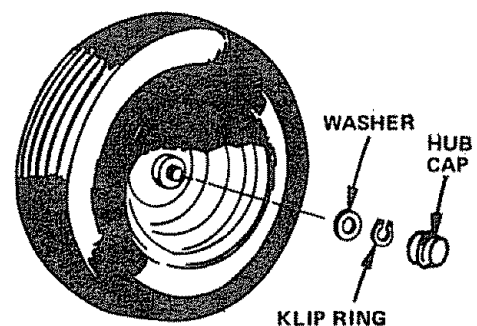


FIGURE 57

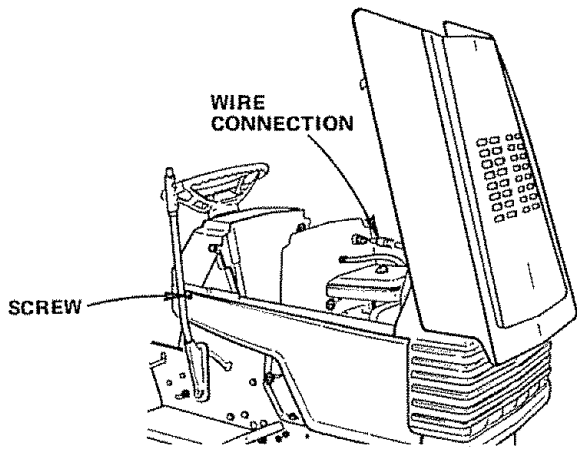


FIGURE 58

9. FINISH

Keep tractor finish and seat free of gasoline, oil, insect chemicals or battery electrolyte. Protect painted surfaces with automotive type wax.

10. HOOD REMOVAL

- a. Lift Hood. Disconnect Headlight Wiring Connection (Fig. 58).
- b. Unscrew one Screw at rear of each Side Panel (Fig. 58).
- c. Pivot Hood and Side Panel forward and lift off tractor (Fig. 59).
- d. To replace, reverse the above procedure.

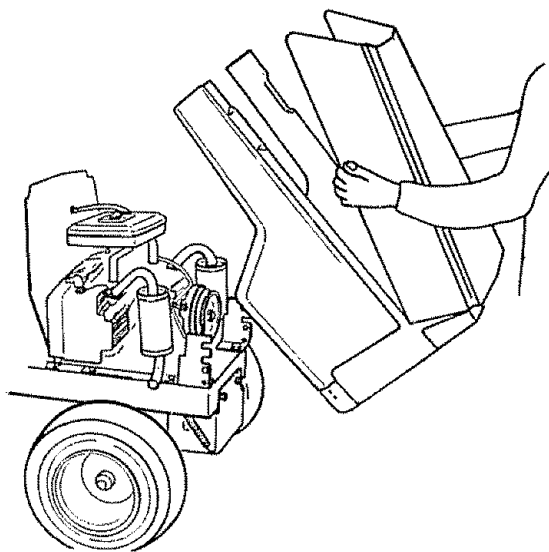


FIGURE 59

SERVICE RECORD FILL IN DATES AS YOU COMPLETE REGULAR SERVICE	SERVICE INTERVALS					SERVICE DATES				
	AS NEEDED	EVERY 5 HOURS	EVERY 25 HOURS	EVERY 50 HOURS	EVERY 100 HOURS					
Check Engine Oil Level	✓									
Change Engine Oil (see chart, page 6)		✓								
Lubricate Pivot Points (see page 19)		✓								
Check Brake Operation	✓									
Clean Air Screen		✓								
Clean Air Filter		✓								
Replace Air Cleaner Paper Cartridge					✓					
Clean Engine Cooling Fins			✓							
Replace Spark Plug				✓						
Check Battery Level		✓								
Check Tire Pressure	✓									
Replace Fuel Filter					✓					

TROUBLE SHOOTING POSSIBLE CAUSE	POSSIBLE REMEDY
WILL NOT START Clutch-Brake Pedal in drive position Attachment Clutch Switch in "ENGAGED" position No gasoline in Fuel Tank or clogged Fuel Line or Fuel Filter Blown Fuse Dead Battery Defective Ignition or loose Wiring Spark Plug fouled	Push Pedal into brake position (Fig. 8). Move Lever to "DISENGAGED" position (Fig. 9) Fill Tank with fresh Gasoline. Check Fuel Line (Fig. 44) and Carburetor (clean if necessary) Check for fault and replace Fuse Recharge or replace Battery Check Wiring Replace Spark Plug and adjust gap (Fig. 42)
HARD TO START Choked improperly, flooded Engine Clogged Fuel Tank, Fuel Line or Fuel Filter Spark Plug fouled Defective Battery Defective Ignition or loose wiring Water in gasoline or old fuel Improper Carburetor adjustment Poor compression	Place Throttle Control in fast position (Fig. 9) and run starter several times to clean out gas Remove and clean (Fig. 44) Replace Spark Plug and adjust gap (Fig. 42) Recharge or replace Check the wiring and Spark Plug Drain Fuel Tank and Carburetor, use fresh fuel and replace Spark Plug Make necessary adjustments (Fig. 50) Major engine overhaul
ENGINE MISSES OR LACKS POWER Engine overloaded Clogged Fuel Filter Clogged Fuel Tank Partially plugged Air Cleaner Improper Carburetor adjustment Dirty Air Screen Low oil level Spark Plug fouled, improper gap or wrong type Faulty ignition Poor compression Gasoline in oil Dirty Air Cleaner	Shift to a lower gear or reduce load Remove and replace (Fig. 44) Remove and clean Remove and clean (Fig. 36) Make necessary adjustments (Fig. 50) Clean Air Screen, Cylinder Fins (Fig. 41) and Muffler area Add or change oil (Fig. 35) Replace Spark Plugs and adjust gap (Fig. 42) Check Spark Plugs and for any loose wires Major Engine overhaul Drain Engine oil and refill Remove and clean (Fig. 36)
ENGINE OVERHEATS Dirty Air Screen Low oil level Dirty Engine Partially plugged Muffler Improper Carburetor adjustment	Clean Air Screen (Fig. 40) Add or change oil (Fig. 35) Clean Cylinder Fins, rotating Screen and Muffler area Remove and clean Muffler (Fig. 40) Adjust Carburetor (Fig. 50)
NO LIGHTS No Headlight with Light Switch in "ON" position and engine running	Check Wire Connections and Switch, Replace Light Bulbs
WON'T CHARGE Blown Fuse Defective Battery	Check for fault and replace Replace

STORAGE

1. FUEL SYSTEM

NOTE: THE USE OF A FUEL ADDITIVE, SUCH AS STA-BIL, OR AN EQUIVALENT, WILL MINIMIZE THE FORMATION OF FUEL GUM DEPOSITS DURING STORAGE. SUCH AN ADDITIVE MAY BE ADDED TO THE GASOLINE IN THE FUEL TANK OF THE ENGINE, OR TO THE GASOLINE IN A STORAGE CONTAINER.

If Sta-Bil is not used all fuel should be removed from fuel tank.

- Drain fuel tank and carburetor by allowing the engine to run out of gasoline. NOTE: GASOLINE LEFT IN YOUR ENGINE WILL LEAVE GUM DEPOSITS CLOGGING FUEL SYSTEM.
- Dispose of gasoline if not to be used. NOTE: GASOLINE STORED FOR SEVERAL MONTHS LOSES ITS VOLATILITY (ABILITY TO BURN EFFECTIVELY).

2. ENGINE OIL

Drain (with engine warm) and replace with clean engine oil, (See chart, page 6).

3. CYLINDERS

- Remove Spark Plugs.

- Pour one ounce of oil through spark plug holes into cylinders.
- Turn Ignition Key to "START" position for a few seconds to distribute oil.
- Replace with new Spark Plugs.

4. BATTERY

- Remove battery if tractor is not used regularly during winter months. Store in cool, dry place (above 50°F.). CAUTION: A DIRTY BATTERY CAN RUIN A FLOOR. CLEAN BATTERY BEFORE STORAGE.
- Re-charge each month if necessary. NOTE: BATTERIES NOT IN USE FOR SEVERAL MONTHS AND NOT KEPT FULLY CHARGED, PRODUCE SULPHATE DEPOSITS ON PLATES WHICH CANNOT BE REMOVED BY RECHARGING.

5. GENERAL CLEANING

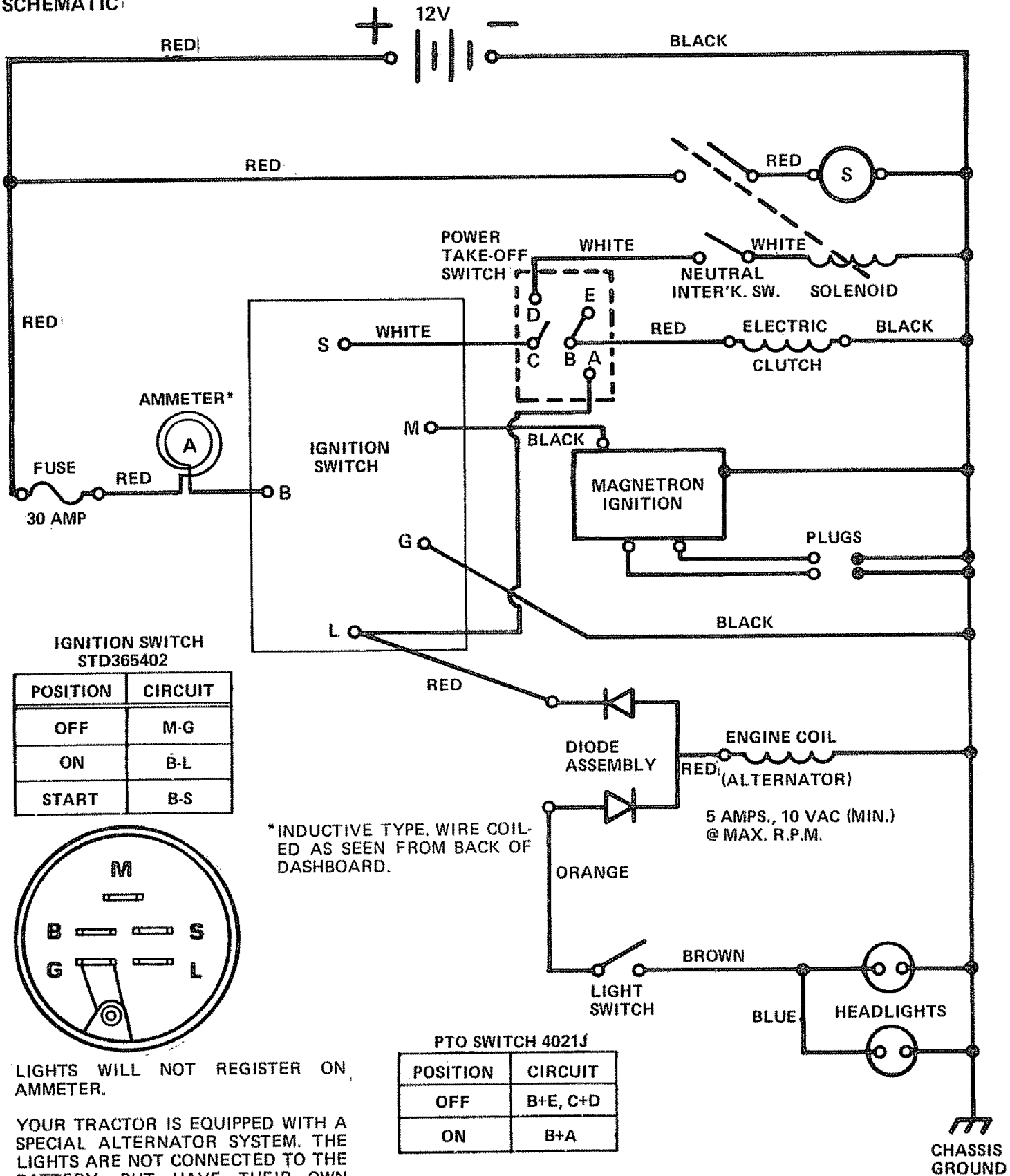
Clean engine, battery, seat, finish, etc. of all foreign matter,

6. STORE IN A CLEAN AND DRY AREA.

Sears, Roebuck and Co. reserves the right to make any changes in design or improvements without imposing any obligation to install the same upon its items heretofore manufactured.

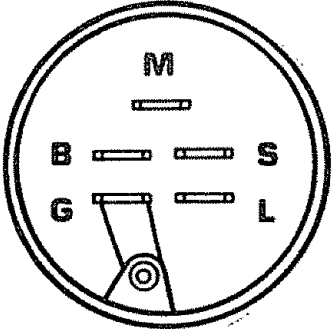
GT 18 TWIN GARDEN TRACTOR--MODEL NUMBER 917.255910

SCHEMATIC



IGNITION SWITCH STD365402

POSITION	CIRCUIT
OFF	M-G
ON	B-L
START	B-S



LIGHTS WILL NOT REGISTER ON AMMETER.

YOUR TRACTOR IS EQUIPPED WITH A SPECIAL ALTERNATOR SYSTEM. THE LIGHTS ARE NOT CONNECTED TO THE BATTERY, BUT HAVE THEIR OWN ELECTRICAL SOURCE. BECAUSE OF THIS, THE BRIGHTNESS OF THE LIGHTS WILL CHANGE WITH THE ENGINE SPEED. AT IDLE SPEED THE LIGHTS WILL DIM. AS THE ENGINE IS SPEEDED UP, THE LIGHTS WILL BECOME THEIR BRIGHTEST.

*INDUCTIVE TYPE. WIRE COILED AS SEEN FROM BACK OF DASHBOARD.

PTO SWITCH 4021J

POSITION	CIRCUIT
OFF	B+E, C+D
ON	B+A

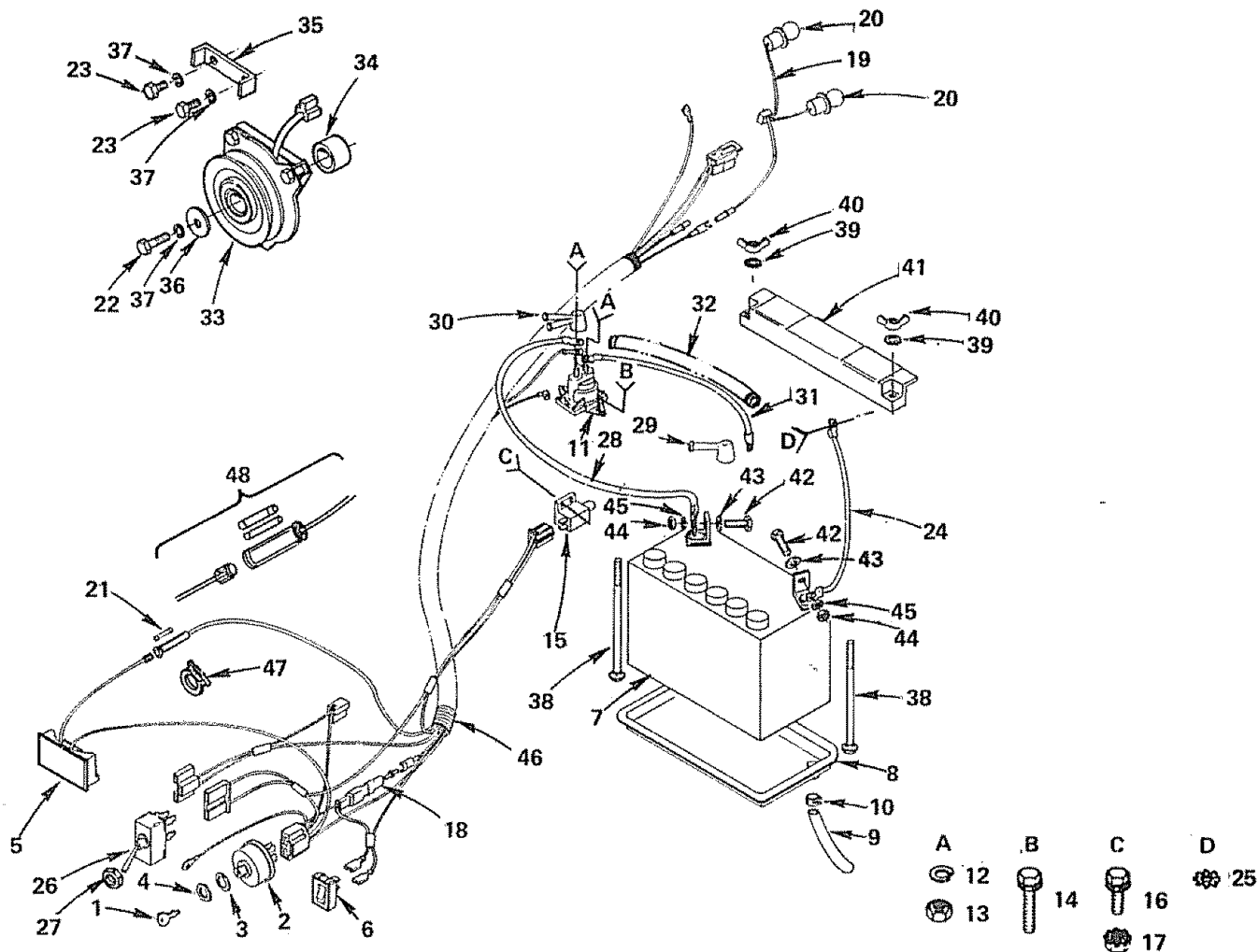
WIRING INSULATED CLIPS

NOTE: IF WIRING INSULATED CLIPS WERE REMOVED FOR SERVICING OF UNIT, THEY SHOULD BE REPLACED TO PROPERLY SECURE YOUR WIRING.

REPAIR PARTS

GT 18 TWIN GARDEN TRACTOR--MODEL NUMBER 917.255910

ELECTRICAL



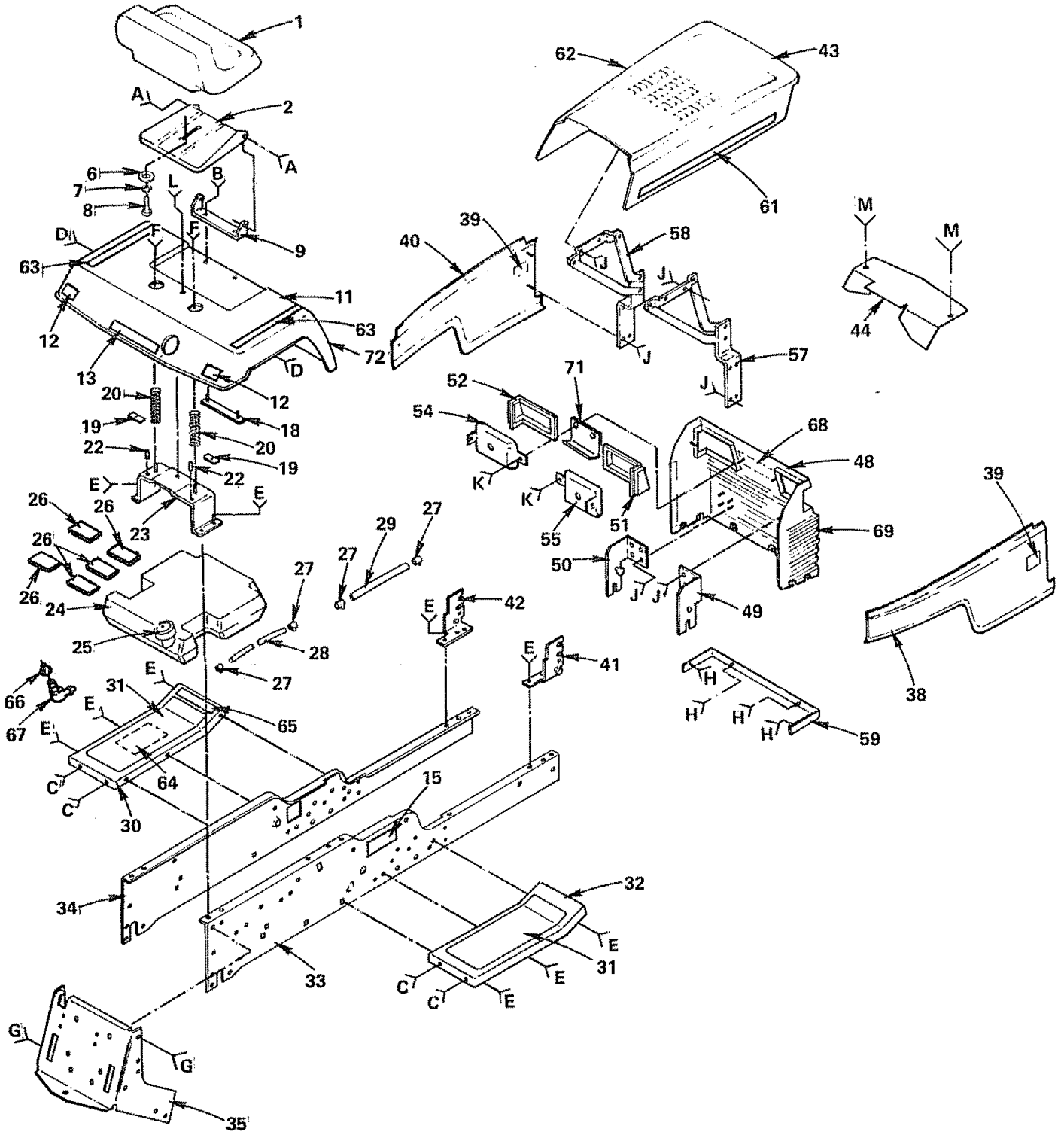
KEY NO.	PART NO.	DESCRIPTION	KEY NO.	PART NO.	DESCRIPTION
1	STD365410	Key Set	28	4799J	Cable - Battery
2	STD365400	Switch - Ignition	29	719J	Cover - Terminal
3	11151000	Washer - Lock - Int. Tooth 5/8	30	51J	Cover - Terminal
4	3258J	Nut - Hex 5/8 - 32	31	5115J	Cable - Starter
5	105791X	Ammeter	32	106553X	Cover - Cable
6	105382X	Switch - Light	33	106316X	Clutch - Electric
7	9138R	Battery	34	106367X	Spacer - Clutch
8	7603J	Tray - Battery	35	106366X	Stop - Clutch
9	100541K	Tube - Drain - use 7604J	36	19132203	Washer
10	6999R	Clamp - Hose	37	STD551137	*Washer - Lock 3/8
11	2008J	Solenoid	38	72240460	Bolt - Carriage 1/4 - 20 x 7 - 1/2
12	10090400	Washer - Lock 1/4	39	11030400	Washer - Lock - Int./Ext. Tooth 1/4
13	STD541225	*Nut - Hex - Jam 1/4 - 20	40	STD541625	*Nut - Wing 1/4 - 20
14	17190408	Screw - Hex Washer Thread Cutting 1/4 - 20 x 1/2	41	102476X	Guard - Terminal
15	104445X	Switch - Interlock	42	STD522507	*Bolt - Hex 1/4 - 20 x 3/4
16	71031008	Screw - Hex Washer No. 10 - 32 x 1/2	43	STD551025	*Washer 9/32 x 5/8 x 16 Ga.
17	73951000	Nut - Keps No. 10 - 32	44	STD541025	*Nut - Hex 1/4 - 20
18	106315X	Diode Assembly	45	STD551125	*Washer - Lock 1/4
19	105387X	Harness - Wire - use 105386X	46	105819X	Harness - Ignition
20	4152J	Bulb - Headlight	47	106617X	Clamp, Hose
21	STD380300	*Fuse - 30 Amp	48	106580X	Kit, Replacement Fuseholder
22	74610628	Bolt - Hex 3/8 - 24 x 1 - 3/4	-	101539X	Sheet, Instruction, Tractor 15° Slope
23	STD523707	*Bolt - Hex 3/8 - 16 x 3/4	-	106155X	Manual - Owners
24	4207J	Cable - Ground			
25	11050500	Washer - Lock - Ext. Tooth 5/16"			
26	4021J	Switch - PTO			
27	4022J	Nut - Hex			

*STANDARD HARDWARE--PURCHASE LOCALLY

REPAIR PARTS

GT 18 TWIN GARDEN TRACTOR--MODEL NUMBER 917.255910

CHASSIS AND ENCLOSURES



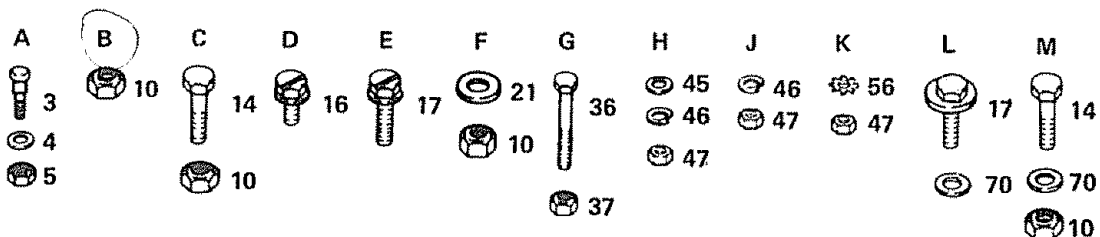
REPAIR PARTS

GT 18 TWIN GARDEN TRACTOR--MODEL NUMBER 917.255910

CHASSIS AND ENCLOSURES

KEY NO.	PART NO.	DESCRIPTION	KEY NO.	PART NO.	DESCRIPTION
1	105515X	Seat	35	7982J	Drawbar
2	105516X	Pan - Seat	36	74760716	Bolt - Hex 7/16 - 14 x 1
3	105529X	Bolt - Shoulder	37	73680700	Nut - Lock 7/16 - 14
4	105530X	Washer - Spring	38	105520X	Panel - Side - R.H.
5	73680500	Nut - Lock 5/16 - 18	39	105562X	Decal
6	19171912	Washer 17/32 x 13/16 x 12 Ga.	40	105551X	Panel - Side - L.H.
7	STD551150	*Washer - Lock 1/2	41	105494X	Bracket - Pivot - Frame - R.H.
8	STD525010	*Bolt - Hex 1/2 - 13 x 1	42	105495X	Bracket - Pivot - Frame - L.H.
9	105513X	Bracket - Pivot Seat	43	106013X	Hood
10	73680600	Nut - Lock 3/8 - 16	44	106087X	Shield, Heat, Front
11	105507X	Fender	45	STD551025	*Washer 9/32 x 5/8 x 16 Ga.
12	106202X	Reflector - Taillight	46	STD551125	*Washer - Lock 1/4
13	105801X	Decal	47	STD541025	*Nut - Hex 1/4 - 20
14	STD523707	*Bolt - Hex 3/8 - 16 x 3/4	48	105528X	Grill
15	105567X	Decal - Chassis	49	105492X	Bracket - Pivot - Grill - R.H.
16	17490608	Screw - Hex Washer Thread Rolling 3/8 - 16 x 1/2	50	105493X	Bracket - Pivot - Grill - L.H.
17	17490612	Screw - Hex Washer Thread Rolling 3/8 x 16 x 3/4	51	106003X	Lens - R.H.
18	105511X	Strap - Fender	52	106004X	Lens - L.H.
19	105514X	Clamp - Spring	54	106006X	Bezel - L.H.
20	105512X	Spring - Compression	55	106005X	Bezel - R.H.
21	19132012	Washer 13/32 x 1 - 1/4 x 12 Ga.	56	11030400	Washer - Lock - Int./Ext. Tooth 1/4
22	105531X	Nut - Push	57	106091X	Hinge - R.H.
23	105509X	Bracket - Fender	58	106090X	Hinge - L.H.
24	106020X	Tank - Fuel	59	105524X	Strap - Grill
25	105965X	Cap - Fuel	61	105571X	Decal - Hood - R.H.
26	106082X	Pad - Spacer - uses - 6431J	62	105570X	Decal - Hood - L.H.
27	6999R	Clamp - Hose	63	105569X	Decal - Fender
28	5277J	Line - Fuel	64	106225X	Decal - Drive Belt Schematic
29	3008J	Line - Fuel	65	4900J	Decal - Clutch/Brake
30	105465X	Footrest - L.H.	66	3645J	Bushing
31	105466X	Pad - Footrest	67	8710J	Stem - Tank, Fuel
32	105464X	Footrest - R.H.	68	105806X	Decal - Grill
33	105506X	Rail - Frame - R.H.	69	105568X	Decal - Grill (Stripe)
34	105504X	Rail - Frame - L.H.	70	19131416	Washer 13/32 x 7/8 x 16 Ga.
			71 Added	106092X	Support, Heat Shield
			72 Added	106698X	Decal - Fender

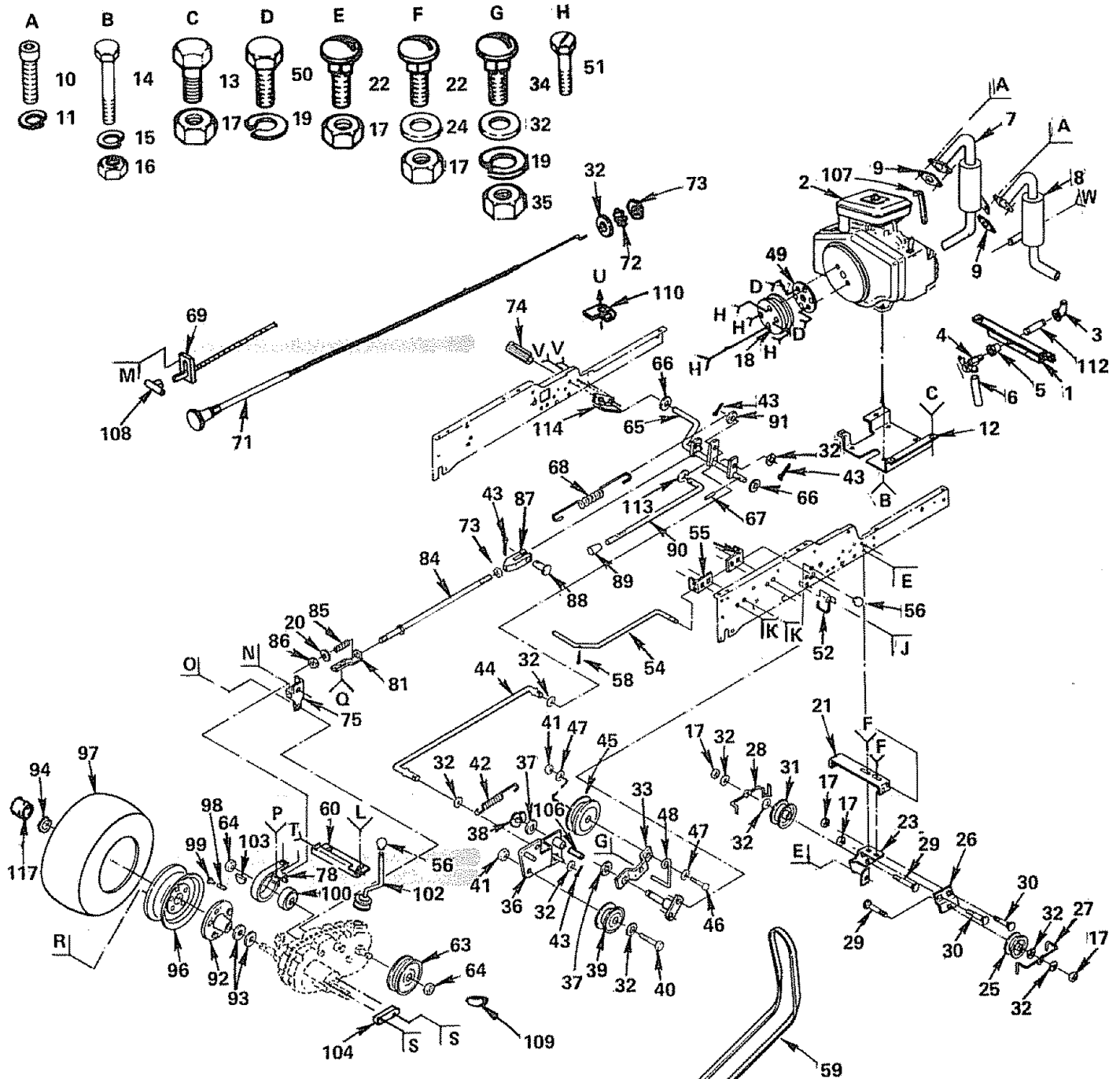
*STANDARD HARDWARE--PURCHASE LOCALLY



REPAIR PARTS

GT 18 TWIN GARDEN TRACTOR--MODEL NUMBER 917.255910

GROUND DRIVE



OPTIONAL EQUIPMENT
 Spark Arrester Muffler 106664X

REPAIR PARTS

GT 18 TWIN GARDEN TRACTOR—MODEL NUMBER 917.255910

GROUND DRIVE

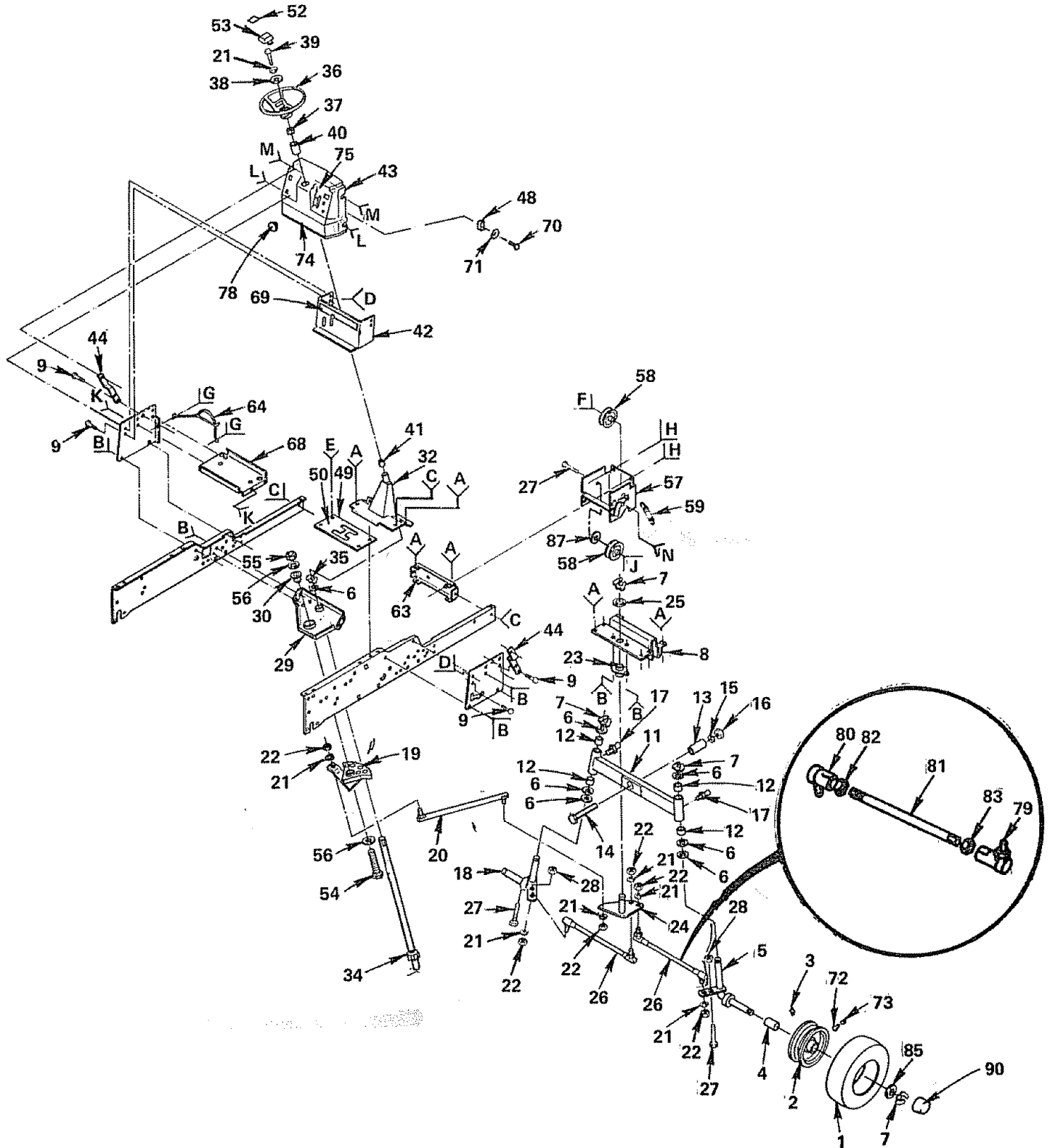
KEY NO.	PART NO.	DESCRIPTION	KEY NO.	PART NO.	DESCRIPTION
1	Added 106637X	Bracket, Support	60	7952J	Bracket, Support, Transaxle
2	106035X	Engine, 18 H.P., Model No. 422437 Type No. 0721-01	61	74760716	Bolt, Hex, 7/16 - 14 x 1
3	13240200	Elbow, Street	62	STD551143	Washer, Lock, 7/16
4	Added 9767H	Valve, Oil Drain	63	101341M	Pulley, Transaxle
5	Added 13260302	Bushing	64	9204H	Nut, Lock, 1/2 - 20
6	Added 106625X	Tube	65	104375X	Shaft, Foot Pedal
7	105574X	Muffler, L.H.	66	19252016	Washer, 25/32 x 1 - 1/4 x 16 Ga.
8	105575X	Muffler, R.H.	67	STD571812	Pin, Roll, 3/16 x 1 - 1/4
9	8545J	Gasket, Muffler	68	106021X	Spring, Extension
10	74570412	Screw, Socket Hd., 1/4 - 20 x 3/4	69	5693J	Control, Throttle
11	STD551125	*Washer, Lock, 1/4	70	17720408	Screw, Hex, Thd. Cut, 1/4 - 20 x 1/2
12	5266J	Base, Engine	71	104596X	Control, Choke
13	STD523707	*Bolt, Hex, 3/8 - 16 x 3/4	72	11050600	Washer, Lock, Ext. Tooth, 3/8
14	STD523112	*Bolt, Hex, 5/16 - 18 x 1 - 1/4, Gr 5	73	STD541137	*Nut, 3/8 - 24
15	STD551131	*Washer, Lock, 5/16	74	8883R	Cover, Pedal
16	STD541031	*Nut, Hex, 5/16 - 18	75	677A637	Bracket, Brake
17	73680600	Nut, Lock, 3/8 - 16	76	74370612	Screw, Mach., Unct. Fl. Hd., 3/8 - 16 x 3/4
18	101343L	Pulley, Ground Drive	77	74760614	Bolt, Hex, 3/8 - 16 x 7/8
19	STD551137	*Washer, Lock, 3/8	78	7920J	Band, Brake
20	19131614	Washer, 13/32 x 1 x 14 Ga.	79	72140405	Bolt, Carr., 1/4 - 20 x 5/8
21	105599X	Bracket, Drive, Mule	80	STD541025	*Nut, Hex, 1/4 - 20
22	72110608	Bolt, 3/8 - 16 x 1	81	7229J	Guide, Rod, Brake
23	106000X	Bracket, V-Pulley, Drive, Mule	82	1685H	Nut, Lock, 5/16 - 18
24	19131612	Washer, 13/32 x 1 x 12 Ga.	83	STD533110	*Bolt, Carr., 5/16 - 18 x 3/4
25	101344L	Pulley, Idler	84	5308J	Rod, Brake
26	5255J	Bracket, Idler, Flat	85	7241J	Spring, Compression
27	106048X	Guard, Belt, Mule Drive, Flat Idler	86	73530600	Nut, Lock, 3/8 - 24
28	106023X	Guard, Belt, Mule Drive, V-Idler	87	100604K	Yoke
29	72110616	*Bolt, Carr., 3/8 - 16 x 2	88	5102J	Pin, Clevis
30	STD533707	*Bolt, Carr., 3/8 - 16 x 3/4	89	71673	Cap, Plunger
31	2083R	Idler, Flat	90	8000J	Rod, Parking Brake
32	STD551037	*Washer, 13/32 x 13/16 x 16 Ga.	91	19111216	Washer, 11/32 x 3/4 x 16 Ga.
33	101347L	Bracket, Flat Idler	92	634A692	Bushing and Wheel Hub
34	STD533710	*Bolt, Carr., 3/8 - 16 x 1	93	7563R	Washer, Thrust, Axle
35	STD541037	*Nut, Hex, 3/8 - 16	94	12000034	Klip Ring
36	105592X	Bracket, Clutch w/Bearing (Inc. Key No. 106)	95	1304H	Bolt, Hub
37	207J	Washer, Hardened	96	106277X	Wheel, Rear
38	12000039	Klip Ring	97	105588X	Tire, Rear
39	8846R	Idler, Grooved	---	7154J	Tube, Tire (Not furnished)
40	STD523715	*Bolt, Hex, 3/8 - 16 x 1 - 1/2	98	65139	Valve, Tire
41	73930600	Nut, Lock, 3/8 - 16	99	59192	Cap, Valve
42	101355X	Spring, Extension	100	214J	Drum, Brake
43	STD570907	*Pin, Cotter, 3/32 x 3/4	101	STD541410	*Nut - Lock No. 10 - 24
44	101356L	Rod, Clutch	102	633A109	Gear Shift Lever Assembly
45	104360X	Idler, Flat	103	2228M	Key, Woodruff
46	STD523720	*Bolt, Hex, 3/8 - 16 x 2	104	4186J	Spacer, Transaxle
47	19131413	Washer, 13/32 x 7/8 x 13 Ga.	105	74760740	Bolt, Hex, 7/16 - 14 x 2 - 1/2
48	105597X	Retainer, Belt	106	101350K	Bearing - Idler
49	104577X	Adapter	107	7192J	Tie - Cable
50	STD523710	*Bolt, Hex, 3/8 - 16 x 1 Gr. 5	108	61159	Knob - Throttle Control
51	17190512	Screw, Hex, Slotted, 5/16 - 18 x 3/4	109	9858M1	Key - Woodruff
52	105500X	Retainer, Belt, Lower	110	5304J	Actuator - Switch, Interlock
53	19131312	Washer, 13/32 x 13/16 x 12 Ga.	111	74321016	Screw - Fin 10 - 24 x 1
54	101345M	Rod, Shift, Hi-Lo	112	Added 13280252	Nipple, Pipe
55	105598X	Bracket, Rod, Shift	113	Added 19132012	Washer 13/32 x 1 - 1/4 x 12 Ga.
56	100196K	Knob	114	Added 104601X	Bracket - Interlock
57	73680500	Nut, Lock, 5/16 - 18	115	Added STD522507	*Bolt - Hex 1/4 - 20 x 3/4
58	STD571810	*Pin, Cotter, 3/16 x 1	116	Added 73680400	Nut - Crownlock 1/4 - 20
59	101342N	V-Belt	117	Added 104758X	Cap - Hub, Rear
			118	Added 19131210	Washer 13/32 x 3/4 x 10 Ga.
			119	Added 73680700	Nut - Crownlock 7/16 - 14

*STANDARD HARDWARE--PURCHASE LOCALLY

REPAIR PARTS

GT 18 TWIN GARDEN TRACTOR--MODEL NUMBER 917.255910

STEERING



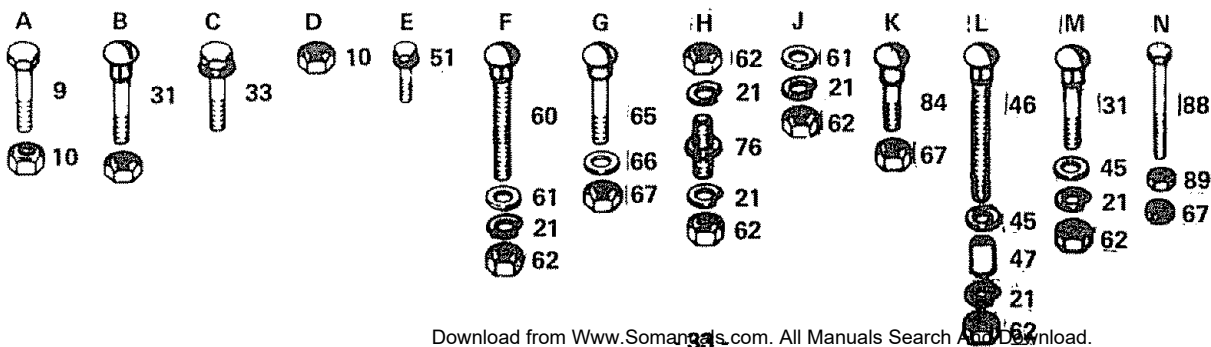
REPAIR PARTS

GT 18 TWIN GARDEN TRACTOR--MODEL NUMBER 917.255910

STEERING

KEY NO.	PART NO.	DESCRIPTION	KEY NO.	PART NO.	DESCRIPTION
1	106230X	Tire, 16 x 6.50	44	105525X	Bracket, Support, Dash
---	8134H	Tube, Front (not furnished with tractor)	45	19131416	Washer 13/32 x 7/8 x 16 Ga.
2	106228X	Front Wheel (Inc. Key No. 3 and 2 of Key No. 4)	46	72110622	Bolt - Carr. 3/8 - 16 x 2 - 3/4
3	278H	Fitting, Grease	47	106486X	Spacer
4	9040H	Bearing	48	106002X	U-Clip
5	106045X	Spindle, R.H.	49	106042X	Cover, Gate, Shift
6	6266H	Bearing, Thrust	50	105572X	Decal, Shift Gate
7	12000029	Klip Ring	51	17240408	Screw, Hex Washer Thd. Cutting 1/4 - 20 x 1/2
8	5284J	Bracket, Axle	52	105810X	Decal, Insert
9	STD523707	*Bolt - Hex 3/8 - 16 x 3/4	53	100710L	Insert, Steering Wheel
10	73680600	Nut, Lock, 3/8 - 16	54	STD525020	*Bolt - Hex 1/2 - 13 x 2
11	674A244	Axle, Front, (Inc. Key No. 12)	55	73680800	Nut, Lock 1/2 - 13
12	1309H	Bearing	56	19172610	Washer 17/32 x 1 - 5/8 x 10 Ga.
13	5298J	Tube, Pivot, Axle	57	106385X	Bracket, Idler
14	74781044	Bolt, Hex 5/8 - 11 x 2 - 3/4 Gr. 5	58	677A451	Pulley, Idler
15	STD551162	*Washer, Lock 5/8	59 <i>Washer</i>	104361X	Spring - was 7190J
16	STD541062	*Nut, Hex 5/8 - 11	60	STD533720	*Bolt, Carriage 3/8 - 16 x 2
17	6855M	Fitting, Grease	61	19131413	Washer 13/32 x 7/8 x 13 Ga.
18	106046X	Spindle, L.H.	62	STD541037	*Nut - Hex 3/8 - 16
19	102997X	Sector Assembly	63	5213J	Bracket, Frame Front
20	5293J	Link, Drag <i>102443Y per letter 3-14-85 from Repair Dept.</i>	64	105589X	Guard, Belt, Engine
21	STD551137	*Washer, Lock 3/8	65	STD533110	*Bolt - Carriage 5/16 - 18 x 1
22	STD541137	*Nut, Hex 3/8 - 24	66	19111610	Washer 11/32 x 1 x 10 Ga.
23	5292J	Bushing, Bellcrank	67	73680500	Nut, Lock 5/16 - 18
24	677A607	Bellcrank	68	7985J	Support, Battery
25	19292016	Washer 29/32 x 1 - 1/4 x 16 Ga.	69	106199X	Decal - Caution
26	7990J	Rod, Tie	70	105487X	Screw, Special
27	STD523720	*Bolt, Hex 3/8 - 16 x 2 Gr. 5	71	4043J	Washer
28	73510600	Nut, Keps 3/8 - 16	72	65139	Stem, Valve
29	102439X	Bracket, Support, Steering	73	59192	Cap, Valve
30	104239X	Bearing, Flanged	74	106198X	Decal, Dash, Instruction
31	72110608	Bolt, Carr. 3/8 - 16 x 1 Gr. 5	75	105565X	Decal, Instruction
32	101274N	Support, Steering	76	106615X	Pin, Mounting, Idler Bracket
33	17490612	Screw, Hex Washer Thd. Rolling 3/8 - 16 x 3/4	78	8022J	Plug - Dash
34	102458X	Shaft, Steering	79	8921R	Joint - Tie Rod - R.H. Thread
35	12000034	Klip Ring	80	8922R	Joint - Tie Rod - L.H. Thread
36	100713N	Wheel, Steering	81	7919J	Rod - Tie
37	100711L	Adapter, Steering	82	73700600	Nut - Hex Jam 3/8 - 24 L.H.
38	678H500	Washer	83	STD541337	*Nut - Hex Jam 3/8 - 24
39	74040616	Bolt - Hex Slotted Washer Hd. 3/8 - 16 x 1	84	STD533107	*Bolt - Carriage 5/16 - 18 x 3/4
40	106014X	Sleeve, Steering	85	19252016	Washer 25/32 x 1 - 1/4 x 16 Ga.
41	9038R	Bearing	87 <i>Added</i>	19132012	Washer 13/32 x 1 - 1/4 x 12 Ga.
42	105519X	Dash, Lower	88 <i>Added</i>	74930516	Bolt, Hex 5/16 - 18 x 1
43	105536X	Dash	89 <i>Added</i>	STD541031	*Nut, Hex 5/16 - 18
			90 <i>Added</i>	104757X	Cap - Hub, Front

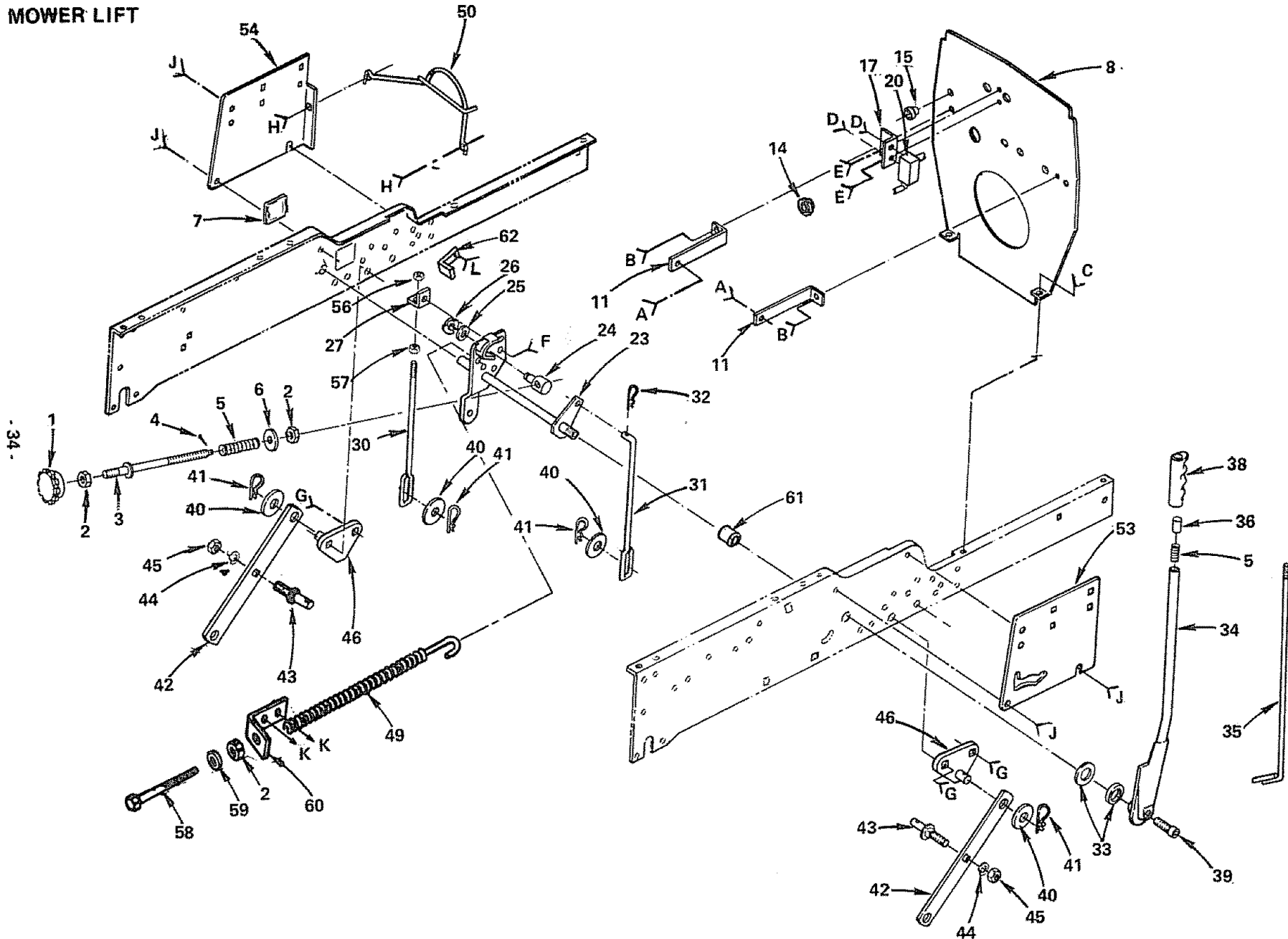
*STANDARD HARDWARE--PURCHASE LOCALLY



REPAIR PARTS

GT 18 TWIN GARDEN TRACTOR--MODEL NUMBER 917.255910

MOWER LIFT



- 34 -

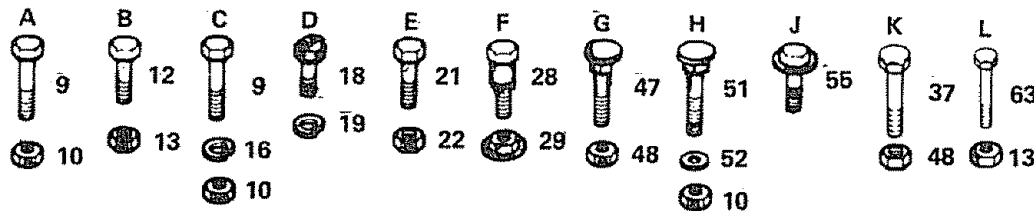
REPAIR PARTS

MOWER LIFT

GT 18 TWIN GARDEN TRACTOR--MODEL NUMBER 917.255910

KEY NO.	PART NO.	DESCRIPTION	KEY NO.	PART NO.	DESCRIPTION
1	100734K	Handle, Adjust, Lift	32	4939M	Retainer, Spring
2	STD541237	*Nut, Hex Jam, 3/8 - 16	33	105630X	Washer, Nylon
3	106318X	Rod, Adjust, Lift	34	105622X	Lever, Lift
4	STD570907	*Pin, Cotter, 3/32 x 3/4	35	106644X	Rod, Detent - was 105627X
5	2876H	Spring	36	105723X	Plunger, Lever
6	19131016	Washer 13/32 x 5/8 x 16 Ga.	37	STD523710	*Bolt - Hex 3/8 - 16 x 1
7	105505X	Cover, Access	38	106019X	Grip, Handle
8	105559X	Shield, Heat, Rear	39	74570616	Screw, Cap, Hex Socket Head, 3/8 - 16 x 1
9	STD523107	*Bolt, Hex, 5/16 - 18 x 3/4	40	STD551050	*Washer 17/32 x 1 - 1/16 x 13 Ga.
10	73680500	Nut, Lock, 5/16 - 18	41	9135R	Retainer Spring
11	105573X	Brace, Heat Shield	42	105429X	Arm, Suspension
12	STD522505	*Bolt, Hex, 1/4 - 20 x 1/2	43	105413X	Stud, Pivot Center
13	73680400	Nut, Lock, 1/4 - 20	44	STD551150	*Washer, Lock, 1/2
14	106351X	Plug	45	STD541050	*Nut, Hex, 1/2 - 13
15	106504X	Bushing, Snap	46	105501X	Bracket, Suspension, Mower
16	STD551131	*Washer, Lock, 5/16	47	STD533707	*Bolt, Carriage, 3/8 - 16 x 3/4
17	105040X	Bracket, Fuel Pump	48	73680600	Nut, Lock, 3/8 - 16
18	74750806	Screw, Sl. Hex Hd. No. 8 - 32 x 3/8	49	674A247	Spring - Ass'y. - Assist, Lift
19	STD551108	*Washer, Lock No. 8	50	105589X	Guard, Belt, Engine
20	105041X	Pump, Fuel	51	STD533107	*Bolt, Carriage, 5/16 - 18 x 1
21	STD511005	*Screw, Hex Hd. No. 10 - 24 x 1/2	52	19131612	Washer 13/32 x 1 x 12 Ga.
22	73631000	Nut, Lock No. 10 - 24	53	105526X	Panel, Side, R.H.
23	105633X	Shaft, Lift	54	105527X	Panel, Side, L.H.
24	6519J	Trunnion, Stop Depth	55	17490608	Bolt, Hex Washer Thd. Rolling, 3/8 - 16 x 1/2
25	19151216	Washer 15/32 x 3/4 x 16 Ga.	56	73800600	Nut, Lock, Hex w/Washer, 3/8 - 16
26	12000037	Klip Ring	57	STD541037	*Nut, Hex 3/8 - 16
27	7594J	Bracket, Lift, L.H.	58	5328J	Bolt - Adjust, Spring, Assist
28	7901J	Bolt, Shoulder	59	STD551037	*Washer 13/32 x 13/16 x 16 Ga.
29	73900400	Nut, Hex Flange 1/4 - 20	60	678H445	Bracket, Spring - Assist
30	7596J	Link, Lift, L.H.	61	106012X	Spacer
31	105503X	Link, Lift, R.H.	62	104601X	Bracket - Switch
			63	STD522507	*Bolt - Hex 1/4 - 20 x 3/4

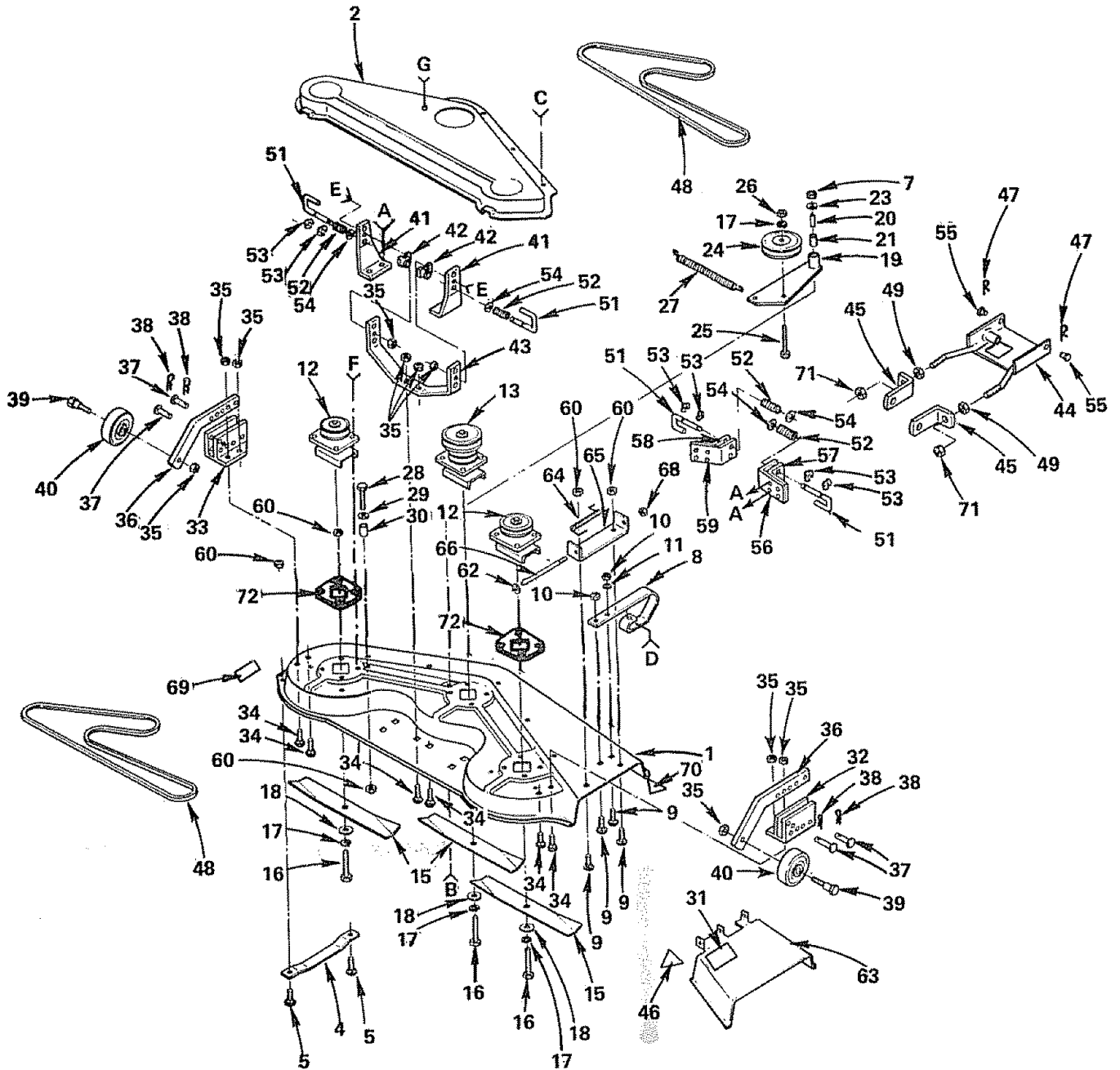
*STANDARD HARDWARE--PURCHASE LOCALLY



REPAIR PARTS

GT 18 TWIN GARDEN TRACTOR--MODEL NUMBER 917.255910

MOWER



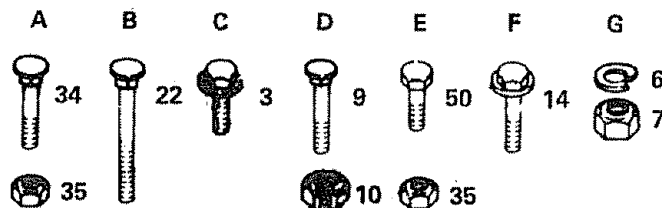
REPAIR PARTS

GT 18 TWIN GARDEN TRACTOR--MODEL NUMBER 917.255910

MOWER

KEY NO.	PART NO.	DESCRIPTION	KEY NO.	PART NO.	DESCRIPTION
1	106579X	Housing, Mower	35	73680600	Nut, Crownlock 3/8 - 16
2	106022X	Cover - Drive, Deck	36	105453X	Bar, Ga. Wheel
3	17490508	Screw - Hex Washer Thd, Roll 5/16 - 18 x 1/2	37	5565J	Pin, Clevis
4	7631J	Runner, L.H.	38	4939M	Retainer, Spring
5	72110505	Bolt, Carr. 5/16 - 18 x 5/8	39	4898H	Bolt, Shoulder
6	STD551131	*Washer-Lock, 5/16	40	105455X	Wheel, Gauge
7	STD541031	*Nut-Hex 5/16 - 18	41	105433X	Brkt., Suspension
8	8418J	Runner, R.H.	42	105430X	Spacer
9	72140506	Bolt, Carr. 5/16 - 18 x 3/4	43	105434X	Brace, Suspension
10	1685H	Nut, Lock 5/16 - 18	44	105436X	Parallel Link
11	STD551031	*Washer 11/32 x 11/16 x 16 Ga.	45	105441X	Brkt., Suspension
12	105194X	Mandrel - Secondary	46	78850	Decal - Warning
13	106038X	Mandrel - Primary	47	9135R	Retainer - Spring
14	17490612	Screw - Hex Washer Thd. Roll 3/8 - 16 x 3/4	48	106381X	V-Belt
15	106635X	Blade - WAS 100145M	49	STD541050	*Nut, 1/2 - 13
16	STD623715	*Bolt - Hex, 3/8 - 24 x 1 - 1/2 Gr. 5	50	74760622	Bolt, Hex 3/8 - 16 x 1 - 3/8
17	STD551137	*Washer-Lock, 3/8	51	105435X	Pin, Release
18	19132012	Washer 13/32 x 1 - 1/4 x 12 Ga.	52	3720R	Spring
19	674A213	Arm Assembly, Idler	53	12000039	Ring, Klip
20	7834J	Liner, Bearing	54	19171612	Washer 17/32 x 1 x 12 Ga.
21	7835J	Bearing	55	105440X	Pin, Clevis
22	72110522	Bolt, Carriage 5/16 - 18 x 2 - 3/4	56	105456X	Brkt., Outer, R.H.
23	19111610	Washer 11/32 x 1 x 10 Ga.	57	105460X	Brkt., Inner, R.H.
24	102403X	Pulley, Idler	58	105461X	Brkt., Inner, L.H.
25	STD523715	*Bolt - Hex 3/8 - 16 x 1 - 1/2	59	105457X	Brkt., Outer, L.H.
26	STD541037	*Nut - Hex 3/8 - 16	60	73680500	Locknut 5/16 - 18
27	104361X	Spring	62	19111016	Washer 11/32 x 5/8 x 16 Ga.
28	STD523112	*Bolt - Hex 5/16 - 18 x 1 - 1/4 Gr. 5	63	105895X	Shield, Deflector
29	19111216	Washer 11/32 x 3/4 x 16 Ga.	64	106551X	Spring, Deflector
30	8438J	Spacer	65	105896X	Bracket, Deflector
31	106224X	Decal - V-Belt, Dr., Schematic, Mower	66	106520X	Rod, Hinge
32	105448X	Bracket, Ga. Wheel, R.H.	68	5846R	Push Nut
33	105449X	Bracket, Ga. Wheel, L.H.	69	3713J	Instruction - Caution Decal
34	STD533707	*Bolt, Carriage 3/8 - 16 x 3/4	70	5224J	Decal - Safety Standard
			71	73680800	Nut - Hex 1/2 - 13
			72	106674X	Plate - Spacer, Mandrel

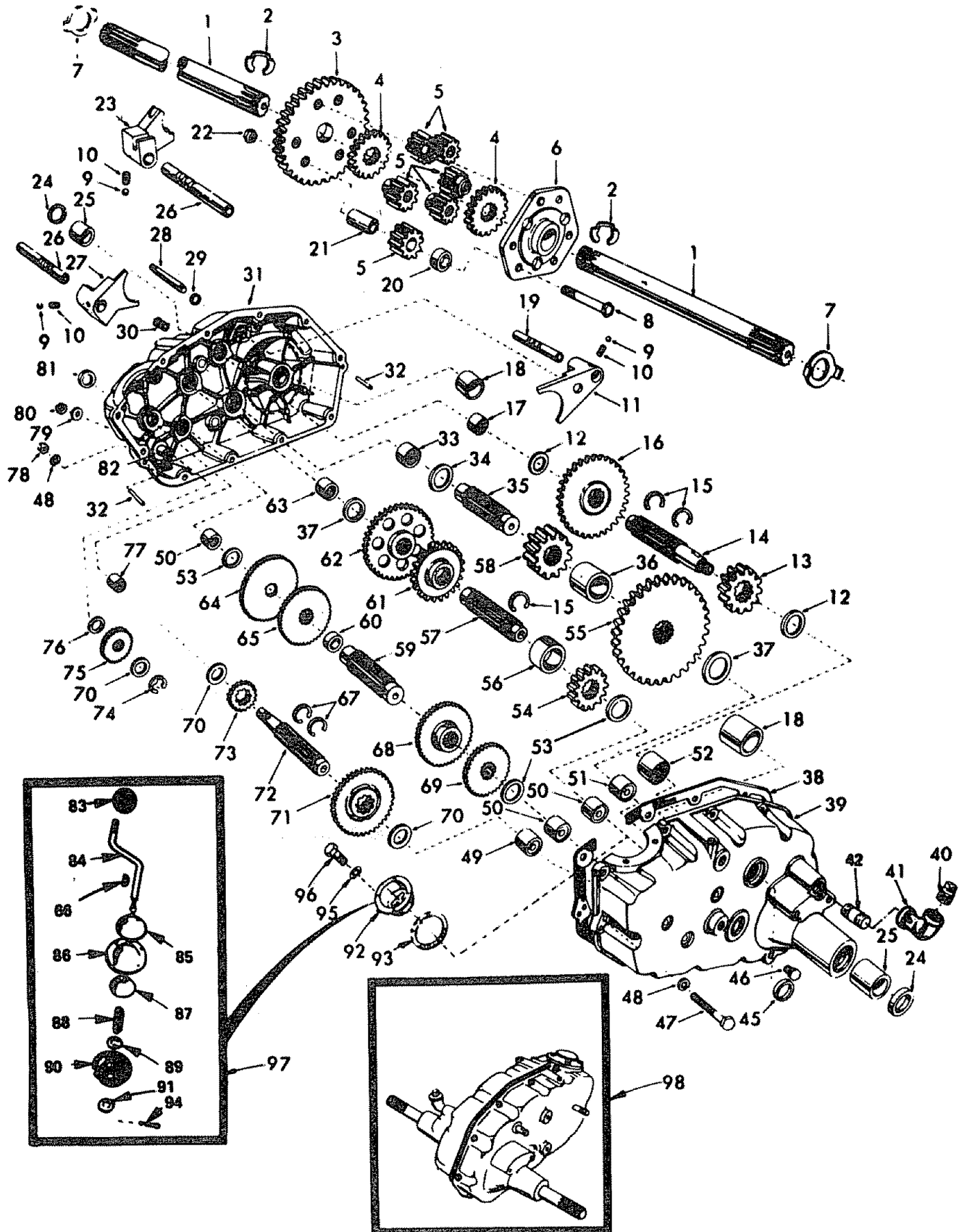
*STANDARD HARDWARE--PURCHASE LOCALLY



REPAIR PARTS

GT 18 TWIN GARDEN TRACTOR--MODEL NUMBER 917.255910

TRANSAXLE



REPAIR PARTS

GT 18 TWIN GARDEN TRACTOR--MODEL NUMBER 917.255910

TRANSAXLE

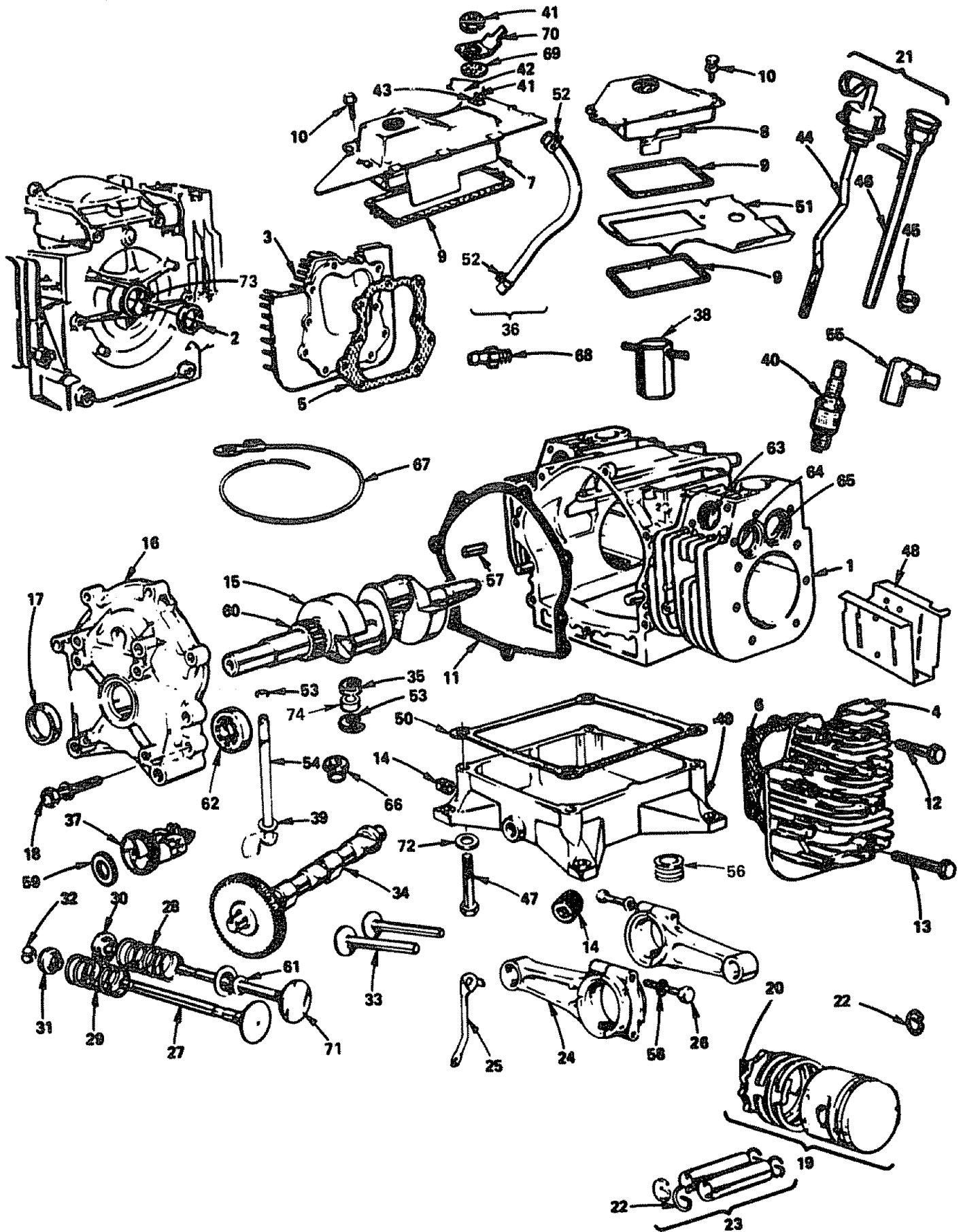
KEY NO.	PART NO.	DESCRIPTION	KEY NO.	PART NO.	DESCRIPTION
1	4197R	Axle Shaft	49	4895H	Needle Bearing
2	5845R	Retaining Ring	50	4222R	Needle Bearing
3	4199R	Final Drive Gear	51	1529R	Needle Bearing
4	4216R	Differential Gear	52	8119M	Needle Bearing
5	4215R	Differential Pinion	53	4220R	Thrust Bearing Race
6	4217R	Differential Carrier	54	4209R	3rd Reduction Pinion - Low
7	6256H	Axle Thrust Washer	55	4213R	4th Reduction Gear
8	74020652	Hex Bolt 3/8 - 24 x 3 - 1/4 (1" Thread Length)	56	4442R	3rd Reduction Pinion Spacer
9	7392M	Steel Ball	57	4195R	2nd Reduction Gear Shaft
10	6272H	Spring Shift Fork Detent	58	4214R	Final Drive Pinion
11	4985R	Shift Fork, High - Low Range	59	4194R	1st Reduction Gear Shaft
12	6266H	Thrust Bearing Race	60	7528R	1st Reduction Shaft Spacer
13	4212R	4th Reduction Pinion	61	4208R	3rd Reduction Pinion - High
14	4196R	3rd Reduction Gear Shaft	62	4207R	2nd Reduction Gear
15	6276H	Snap Ring - Crescent Type	63	7398H	Needle Bearing
16	633A63	High - Low Range Gears	64	4203R	Low Speed Gear and 2nd Reduction Pinion Cluster
17	8118M	Needle Bearing	65	4204R	Reverse Gear
18	8740H1	Sintered Iron Bearing	66	2898J	Key - Hi - Pro 1/8 x 17/32
19	6217H	Shift Fork Shaft, High - Low Range	67	4926H	Snap Ring - Crescent Type
20	4218R	Differential Pinion Spacer	68	4205R	Intermediate Speed Gear
21	6252H1	Differential Pinion Bushing	69	4206R	High Speed Gear
22	7810H	Gripco Centerlock Nut 3/8 - 24	70	1370H	Thrust Bearing Race
23	4986R	Shift Fork - L.H.	71	633A69	Intermediate and High Speed Cluster Pinions
24	7393R	Oil Seal	72	208J	Input Shaft
25	992R1	Sintered Iron Bearing	73	4201R	Low Speed Pinion
26	6216H	Shift Fork Shaft	74	12000002	E-Ring
27	6262H	Shift Fork - R.H.	75	1153R	Reverse Idler Gear
28	101416X	Shift Shaft, High - Low Range	76	7392H	Reverse Idler Thrust Washer
29	6269H	Oil Seal	77	3990H	Needle Bearing
30	5855H	Pressure Relief Valve	78	73220500	*Hex Nut 5/16 - 18
31	101414X	Gearcase, Reverse Idler Shaft and Bearings - R.H. (Inc. Key No's. 17, 18, 25, 33, 50, 63, 76, 77 and 82)	79	1167R	Sealing Washer
32	6277H	Dowel Pin	80	73360700	Hex Jam Nut 7/16 - 20
33	4225R	Needle Bearing	81	6270H	Oil Seal
34	7396H	Thrust Bearing Race	82	7384H	Reverse Idler Shaft
35	4198R	4th Reduction Gear Shaft	83	100196K	Control Knob
36	4200R	4th Reduction Gear Spacer	84	5384J	Gear Shift Lever - Bent
37	7395H	Thrust Bearing Race	85	2978J	Gear Shift Cap
38	6275H	Gearcase Gasket	86	633A85	Gear Shift Ball Cover and Pin
39	633A64	Gearcase and Bearings - L.H. (Inc. Key No's. 18, 25, 49, 50 (2), 51 and 52)	87	8739H1	Shift Lever Guide Ball - Keyed
40	13060400	Pipe Plug 1/2 - 14 N.P.T.	88	4924H	Spring
41	13200400	Elbow 90°, 1/2 - 1/4 N.P.T.	89	19151516	Washer 15/32 x 15/16 x 16 Ga.
42	13280424	Pipe Nipple 1/2 - 14 N.P.T.	90	8105R	Shift Mechanism Seal
45	6271H	Oil Seal	91	19181511	Washer 9/16 x 15/16 x 12 Ga.
46	13060200	Pipe Plug 1/4 - 18 N.P.T.	92	75J	Gear Shift Gate and Reinforcement
47	74780524	*Hex Bolt 5/16 - 18 x 1 - 1/2 Grade 5	93	6274H	Shift Ball Cover Gasket
48	10140500	Lockwasher 5/16 Extra Heavy	94	76020412	Cotter 1/8 x 3/4
			95	10040500	*Lockwasher 5/16
			96	74760514	*Hex Bolt 5/16 - 18 UNC x 7/8
			97	633A109	Gear Shift Lever Ass'y.
			98	101444X	Transaxle Assembly Less Brake Drum & Shift Lever

*STANDARD HARDWARE--PURCHASE LOCALLY

REPAIR PARTS

GT 18 TWIN GARDEN TRACTOR--MODEL NUMBER 917.255910
ENGINE--MODEL NUMBER 422437, TYPE NUMBER 0721-01

CYLINDER, CRANKSHAFT AND ENGINE BASE GROUP



REPAIR PARTS

GT 18 TWIN GARDEN TRACTOR--MODEL NUMBER 917.255910
ENGINE--MODEL NUMBER 422437, TYPE NUMBER 0721-01

CYLINDER, CRANKSHAFT AND ENGINE BASE GROUP

KEY NO.	PART NO.	DESCRIPTION	KEY NO.	PART NO.	DESCRIPTION
1	394900	Cylinder Assembly	35	271316	Foam Seal - Governor Shaft
2	391086	Seal - Oil	36	296004	Pipe - Fuel (Inc. Key No. 52)
3	212461	Head - Cylinder No. 1	37	394348	Gear - Governor
4	212462	Head - Cylinder No. 2	38	89838	Wrench - Spark Plug
5	270984	*Gasket - Cylinder Head No. 1	39	220863	Washer - Gov. Crank (inside)
6	270983	*Gasket - Cylinder Head No. 2	40	394539	Plug - Spark (Resistor) (2 - 3/8 high - 60 mm)
7	393243	Breather Assembly No. 1	41	90576	Nut - Hex 8 - 32
8	393153	Breather Assembly No. 2	42	231174	Terminal
9	27803	*Gasket - Valve Cover	43	280180	Grommet - Insulator
10	93394	Screw - Sem	44	394014	Cap and Dipstick - Oil Filler
11	270982	*Gasket - Crankcase Cover 1/64" Thick	45	68838	Seal - Filler Tube
11	271145	*Gasket - Crankcase Cover .005" Thick	46	392782	Tube - Oil Filler
11	271146	*Gasket - Crankcase Cover .009" Thick	47	93783	Screw - Hex Hd.
12	93113	Screw - Cylinder Head (2 - 15/16" long)	48	223055	Trough - Dipper
13	93111	Screw - Cylinder Head (1 - 15/16" long)	49	394391	Base - Engine
14	91084	Plug - Oil Drain	50	270981	*Gasket - Engine Base
15	394430	Crankshaft	51	222700	Baffle - Air
16	394535	Cover Assembly - Crankcase	52	93053	Clamp - Fuel Pipe
17	291675	Seal - Oil	53	93851	Retainer - E-Ring
18	93847	Screw - Crankcase Cover Mtg. Sem	54	394396	Crank - Governor
19	394955	Piston Assembly - Standard (Inc. Key No's. 20 & 22)	55	66538	Elbow - Spark Plug
19	394956	Piston Assembly - .010" O.S.	56	93448	Plug - Hex Socket
19	394957	Piston Assembly - .020" O.S.	57	222698	Key - Flywheel
19	394958	Piston Assembly - .030" O.S.	58	220863	Washer
20	394959	Ring Set - Piston - Standard	59	222773	Washer - Thrust
20	394960	Ring Set - Piston - .010" O.S.	60	261363	Gear - Timing
20	394961	Ring Set - Piston - .020" O.S.	61	393606	Seal Ass'y. and Retainer
20	394962	Ring Set - Piston - .030" O.S.	62	393741	Bearing - Ball (P.T.O. side)
21	394023	Dipstick and Tube Assembly (Inc. Key No's. 44, 45 & 46)	63	231218	+Guide - Exhaust Valve
22	260924	Lock - Piston Pin	64	210940	+Seat - Exhaust Valve (Standard)
23	299691	Pin Assembly - Piston - Standard (Inc. Key No. 22)	65	261463	+Seat - Intake Valve (Standard)
23	391286	Pin Assembly - Piston - .005" O.S.	66	261559	Lower Bushing - Gov.
24	394306	Rod Assembly - Connecting	67	391115	Wire - Ground
25	223053	Dipper - Connecting Rod	68	230318	Connector - Fuel Pipe
26	92909	Screw - Connecting Rod	69	92791	Washer - Lock Shakeproof
27	390420	Valve - Exhaust	70	93722	Terminal - Spade
28	65906	Spring - Intake Valve	71	261528	Valve - Intake
29	26828	Spring - Exhaust Valve	72	92268	Washer
30	221596	Retainer - Intake Valve	73	261623	+Bearing - Cylinder
31	292260	Rotocoil - Exhaust	74	261560	Upper Bushing - Governor
32	93630	Retainer - Exhaust Valve Rotocoil			
33	261368	Tappet - Valve			
34	212337	Gear - Cam			

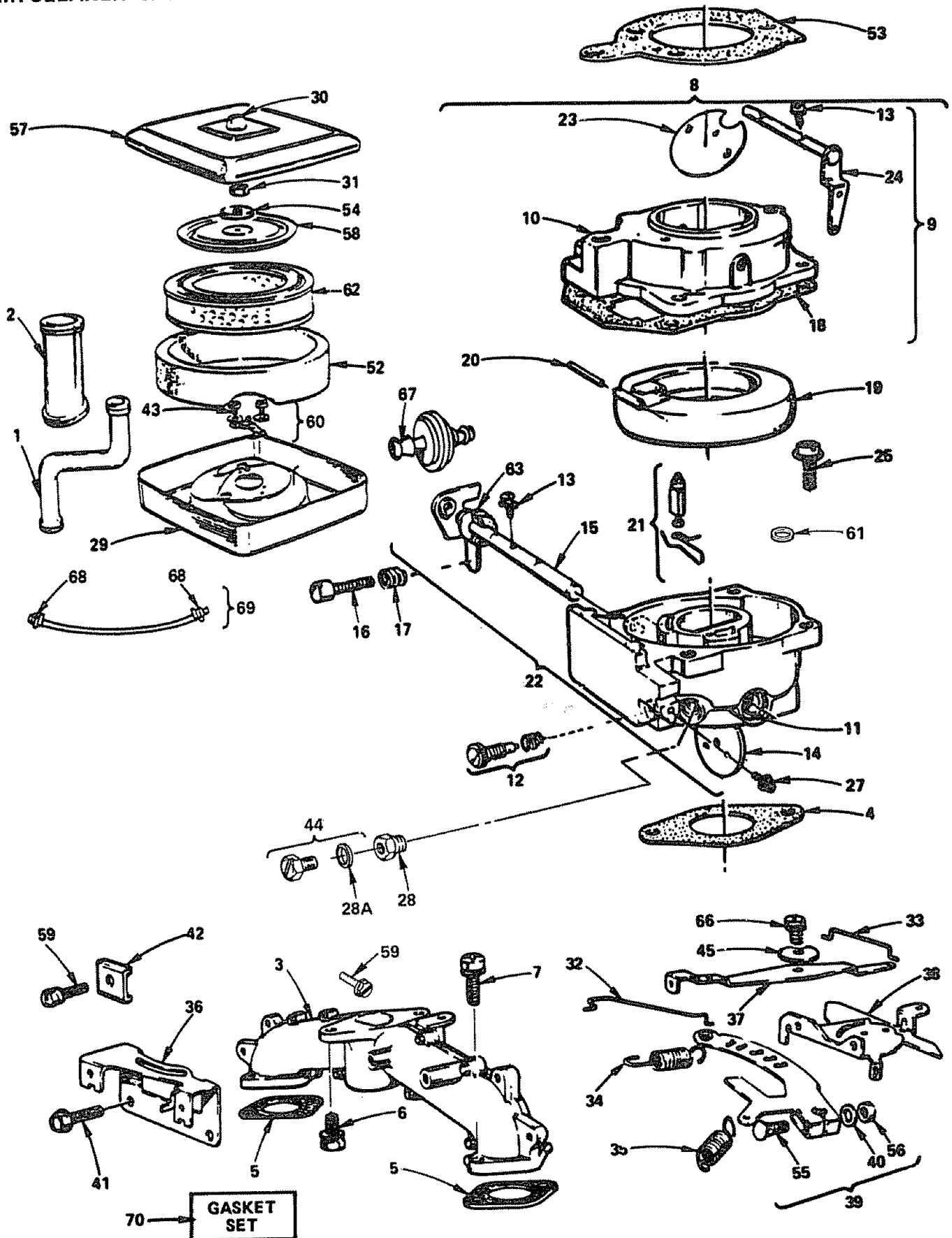
*Inc. in Gasket Set - 394501

+Special Tools required to install

REPAIR PARTS

GT 18 TWIN GARDEN TRACTOR--MODEL NUMBER 917.255910
ENGINE--MODEL NUMBER 422437, TYPE NUMBER 0721-01

AIR CLEANER-CARBURETOR GROUP



REPAIR PARTS

GT 18 TWIN GARDEN TRACTOR--MODEL NUMBER 917.255910
ENGINE--MODEL NUMBER 422437, TYPE NUMBER 0721-01

AIR CLEANER--CARBURETOR GROUP

KEY NO.	PART NO.	DESCRIPTION	KEY NO.	PART NO.	DESCRIPTION
1	280185	Tube - Breather	32	261444	Link - Governor
2	280188	Tube - Intake	33	261531	Link - Speed Control
3	302970	Manifold Ass'y. - Intake	34	261720	Spring - Governor
4	271412	+°Gasket - Carb. Mtg.	35	261563	Spring - Governed Idle
5	270884	°Gasket - Intake Manifold Mtg.	36	222807	Bracket - Speed Control
6	93415	Screw - Carb. Mtg. Sem	37	222828	Lever - Speed Control
7	93208	Screw - Intake Manifold Mtg. Sem	38	394324	Plate Ass'y. Governor Control
8	398620	Carburetor Ass'y. (Inc. Key No's. 9, 10, 11, 12, 13, 14, 15, 16, 17, 18, 19, 20, 21, 22, 23, 24, 25, 28, 44, 46, 47, 48, 49, 50, 51, 61, 63, 64 & 65)	39	393846	Lever Ass'y. - Governor (Inc. Key No's. 40, 55 & 56)
9	397241	Body Ass'y. - Upper Carb. (Inc. Key No's. 10, 13, 18, 23 & 24)	40	222289	Washer
10	212718	Body - Upper Carb.	41	93868	Screw - Sem
11	231209	Bushing - Throttle Shaft	42	221535	Clamp - Casing
12	292681	+Valve Ass'y. - Carb. Idle	43	93893	Screw - Sem
13	93499	Screw - Throttle and Choke Valve Mtg. Sem	44	397882	Plug (Inc. Key No. 28A)
14	221939	Valve - Throttle	45	231172	Bushing - Speed Control
15	392672	Shaft and Lever - Throttle	52	271271	Element - Air Cleaner
16	91920	Screw - Mach. Fil. Hd. 8 - 32 x 5/8	53	271411	+Gasket - Air Cleaner
17	26157	Spring - Throttle Adj.	54	271180	Washer
18	271607	+°Gasket - Carburetor Body	55	93853	Bolt - Governor Lever
19	298514	Float - Carburetor	56	92278	Nut - Hex 10 - 24
20	230888	+Pin - Float Hinge	57	223001	Cover - Air Cleaner
21	299098	+Valve - Fuel Inlet	58	222835	Cartridge Plate - Air Cleaner
22	398619	Body - Lower Carb. (Inc. Key No's. 11, 13, 14, 15 & 65)	59	93496	Screw - Sem
23	222010	Valve - Choke	60	392643	Mounting Strap Ass'y. - Air Cleaner (Inc. Key No. 43)
24	392673	Shaft and Lever - Choke	61	261560	Upper Bushing - Governor
25	94152	Screw - Hex Head Sem 10/32 x 5/8	62	394018	Cartridge - Air Cleaner
27	93879	Screw - Casing Clamp	63	271013	+Washer - Choke Shaft
28	231338	°Jet - Needle Valve	66	93892	Screw - Sem
28A	280474	O-Ring Seal	67	394358	Filter - Fuel
29	222752	Body - Air Cleaner	68	93053	Clamp - Fuel Pipe
30	212282	Knob - Air Cleaner	69	393815	Fuel - Line (28") (cut to required length)
31	93715	Nut - Hex	70	394501	Gasket Set
			---	394502	Carburetor Overhaul Kit

* Included in Gasket Set - 394501

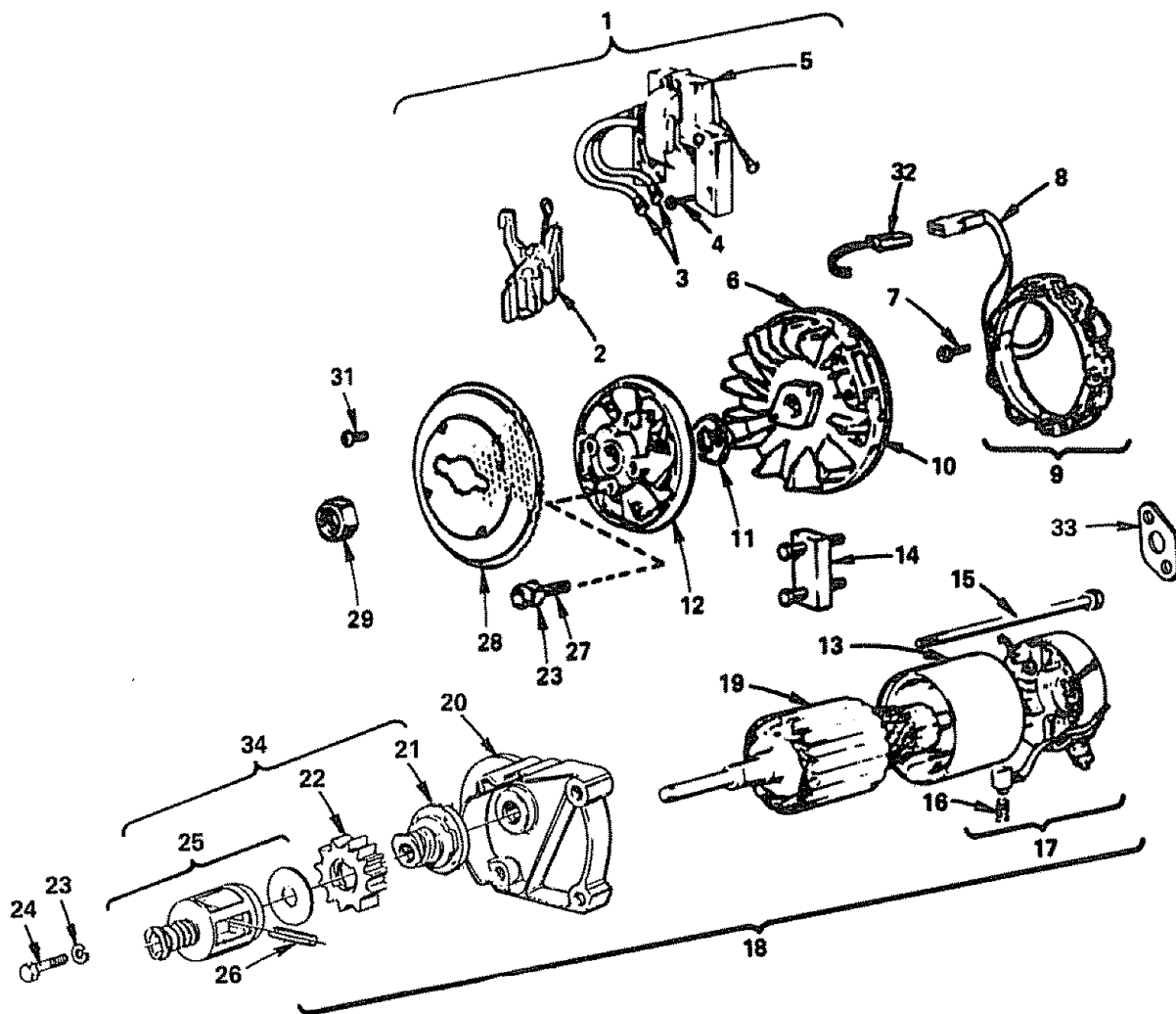
+ Included in Carburetor Overhaul Kit - 394502

° High Altitude - Jet - Needle Valve - Part No. 231333

REPAIR PARTS

GT 18 TWIN GARDEN TRACTOR--MODEL NUMBER 917,255910
ENGINE--MODEL NUMBER 422437, TYPE NUMBER 0721-01

STARTER MOTOR GROUP



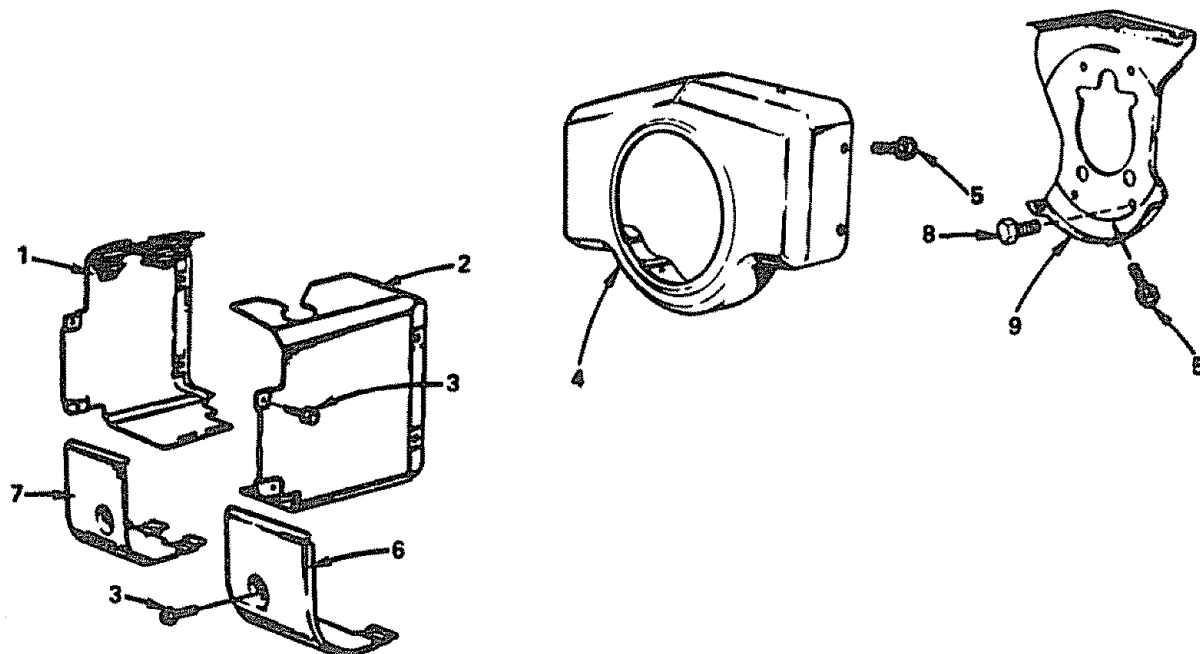
KEY NO.	PART NO.	DESCRIPTION	KEY NO.	PART NO.	DESCRIPTION
1	394891	Armature Group (Inc. Key No's. 2,3 & 5)	16	395538	Brush Set
2	394970	Trigger Coil Ass'y. Magnatron Ignition	17	395537	Commutator End Cap Ass'y. - Starter (Inc. Key No. 16)
3	221798	Terminal - Ignition Coils	18	394808	Motor - Starting (Inc. Key No's. 13, 15, 16, 17, 19, 20, 21, 22, 23 & 24)
4	93381	Screw - Armature Mtg. Sem	19	392747	Armature Assembly (Motor)
5	394988	Armature Ass'y.	20	394860	Drive End Cap Ass'y. - Starter
6	392956	Flywheel and Ring Gear Ass'y.	21	391135	Clutch Ass'y. - Starter
7	93621	Screw - Sem	22	280104	Gear - Starter
8	393537	Diode and Connector Ass'y. (Dual Circuit)	23	90366	Lockwasher
9	392595	Stator - Alternator (Dual Circuit) (Inc. Key No. 8)	24	91162	Screw - Hex Hd. - 5/16 - 18 x 1 - 1/2"
10	391362	Gear - Flywheel Ring (Includes Mounting Parts)	25	393254	Kit - Pinion Spring (Inc. Key No's. 22 & 26)
11	22906	Nut Flywheel Lock	26	93754	Roll Pin
12	212418	Fan - Booster	27	92674	Screw - Hex Hd.
13	393825	Housing Assembly	28	223008	Screen - Rotating
14	19203	Puller - Flywheel (Optional Accessory)	29	231247	Nut - Hex
15	94003	Thru Bolt	31	93808	Screw - Sem
			32	393362	Alternator Harness Ass'y.
			33	271174	Gasket - Exhaust
			34	396865	Starter Drive Group (Inc. Key No's. 21, 22, 25 & 26)

REPAIR PARTS

GT 18 TWIN GARDEN TRACTOR--MODEL NUMBER 917.255910

ENGINE--MODEL NUMBER 422437, TYPE NUMBER 0721-01

MUFFLER, AIR GUIDE AND HOUSING GROUP



KEY NO.	PART NO.	DESCRIPTION	KEY NO.	PART NO.	DESCRIPTION
1	222848	Cover - Air Guide	6	222847	Shield - Cylinder
2	222849	Cover - Air Guide	7	222846	Shield - Cylinder
3	93163	Screw - Sem	8	93777	Screw - Hex Hd. (Back Plate to Cylinder)
4	392681	Housing - Blower	9	392934	Back Plate Ass'y.
5	93158	Screw - Sem			

SERVICE NOTES

SUGGESTED GUIDE FOR SIGHTING SLOPES FOR SAFE OPERATION

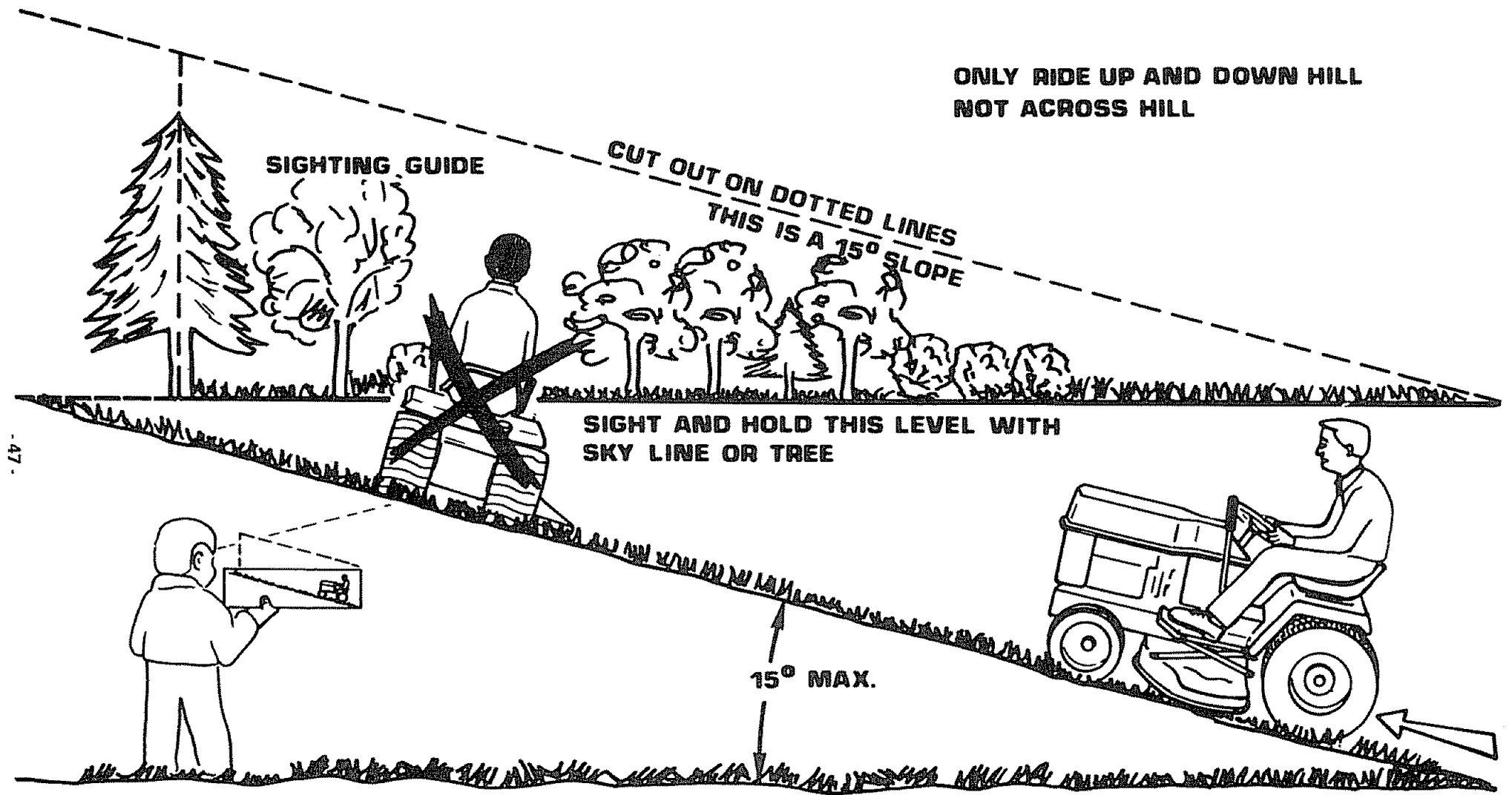
**ONLY RIDE UP AND DOWN HILL
NOT ACROSS HILL**

SIGHTING GUIDE

**CUT OUT ON DOTTED LINES
THIS IS A 15° SLOPE**

**SIGHT AND HOLD THIS LEVEL WITH
SKY LINE OR TREE**

15° MAX.



Operate your Tractor up and down the face of slopes (not greater than 15°); never across the face. Make turns gradually to prevent tipping or loss of control. Exercise extreme caution when changing direction on slopes.

SEARS

**OWNERS
MANUAL**

**MODEL NO.
917.255910**

**HOW TO ORDER
REPAIR PARTS**

GT 18 TWIN 6 SPEED GARDEN TRACTOR

The Model Number will be found on the Model Plate attached to the Drawbar. Always mention the Model Number when requesting service or repair parts for your Garden Tractor.

All parts listed herein may be ordered from any Sears Service Center/Departments and most Sears Retail Stores.

WHEN ORDERING REPAIR PARTS, ALWAYS GIVE THE FOLLOWING INFORMATION:

- THE PART NUMBER
- THE PART DESCRIPTION
- THE MODEL NUMBER
- THE NAME OF MERCHANDISE

If the parts you need are not stocked locally, your order will be electronically transmitted to a Sears Repair Parts Distribution Center for "expedited handling".

Sears, Roebuck and Co., Chicago, IL 60684 U.S.A.

Free Manuals Download Website

<http://myh66.com>

<http://usermanuals.us>

<http://www.somanuals.com>

<http://www.4manuals.cc>

<http://www.manual-lib.com>

<http://www.404manual.com>

<http://www.luxmanual.com>

<http://aubethermostatmanual.com>

Golf course search by state

<http://golfingnear.com>

Email search by domain

<http://emailbydomain.com>

Auto manuals search

<http://auto.somanuals.com>

TV manuals search

<http://tv.somanuals.com>