

Save This Manual
For Future Reference

Sears

*owners
manual*

**MODEL NO.
113.206801**

JOINTER/PLANER ONLY

113.206931

JOINTER/PLANER WITH
LEGS AND MOTOR

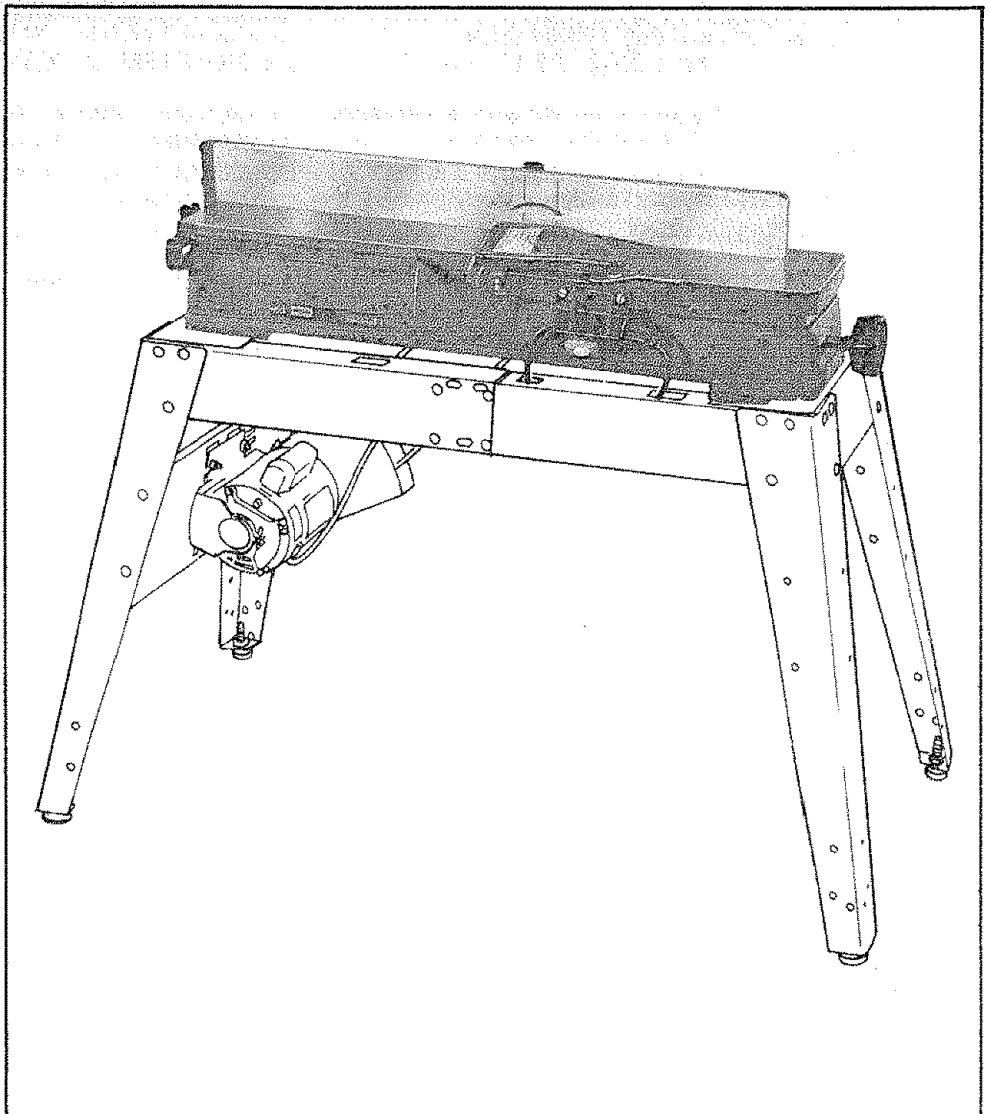
Serial
Number _____

Model and serial
number may be found
on a plate attached
to your base.

You should record both
model and serial number
in a safe place for
future use.

CAUTION:

Read **GENERAL**
and **ADDITIONAL**
SAFETY
INSTRUCTIONS
carefully



Sears

CRAFTSMAN

6 1/8-INCH JOINTER-PLANER

- *assembly*
- *operating*
- *repair parts*

Sold by SEARS, ROEBUCK AND CO., Chicago, IL. 60684 U.S.A.

FULL ONE YEAR WARRANTY ON CRAFTSMAN JOINTER/PLANER

If within one year from the date of purchase, this Craftsman Jointer/Planer fails due to a defect in material or workmanship, Sears will repair it, free of charge.

WARRANTY SERVICE IS AVAILABLE BY SIMPLY CONTACTING THE NEAREST SEARS SERVICE CENTER/DEPARTMENT THROUGHOUT THE UNITED STATES.

THIS WARRANTY APPLIES ONLY WHILE THIS PRODUCT IS IN USE IN THE UNITED STATES.

This warranty gives you specific legal rights, and you may also have other rights which vary from state to state.

SEARS, ROEBUCK AND CO., Dept. 698/731A, Sears Tower, Chicago, IL 60684

general safety instructions for power tools

1. KNOW YOUR POWER TOOL

Read and understand the owner's manual and labels affixed to the tool. Learn its application and limitations as well as the specific potential hazards peculiar to this tool.

2. GROUND ALL TOOLS

This tool is equipped with an approved 3-conductor cord and a 3-prong grounding type plug to fit the proper grounding type receptacle. The green conductor in the cord is the grounding wire. Never connect the green wire to a live terminal.

3. KEEP GUARDS IN PLACE

in working order, and in proper adjustment and alignment.

4. REMOVE ADJUSTING KEYS AND WRENCHES

Form habit of checking to see that keys and adjusting wrenches are removed from tool before turning it on.

5. KEEP WORK AREA CLEAN

Cluttered areas and benches invite accidents. Floor must not be slippery due to wax or sawdust.

6. AVOID DANGEROUS ENVIRONMENT

Don't use power tools in damp or wet locations or expose them to rain. Keep work area well lighted. Provide adequate surrounding work space.

7. KEEP CHILDREN AWAY

All visitors should be kept a safe distance from work area.

8. MAKE WORKSHOP KID-PROOF

— with padlocks, master switches, or by removing starter keys.

9. DON'T FORCE TOOL

It will do the job better and safer at the rate for which it was designed.

10. USE RIGHT TOOL

Don't force tool or attachment to do a job it was not designed for.

11. WEAR PROPER APPAREL

Do not wear loose clothing, gloves, neckties or jewelry (rings, wrist watches) to get caught in moving parts. Nonslip footwear is recommended. Wear protective hair covering to contain long hair. Roll long sleeves above the elbow.

12. USE SAFETY GOGGLES (Head Protection)

Wear Safety goggles (must comply with ANS Z87.1) at all times. Everyday eyeglasses only have impact resistant lenses, they are NOT safety glasses. Also, use face or dust mask if cutting operation is dusty, and ear

protectors (plugs or muffs) during extended periods of operation.

13. SECURE WORK

Use clamps or a vise to hold work when practical. It's safer than using your hand, frees both hands to operate tool.

14. DON'T OVERREACH

Keep proper footing and balance at all times.

15. MAINTAIN TOOLS WITH CARE

Keep tools sharp and clean for best and safest performance. Follow instructions for lubricating and changing accessories.

16. DISCONNECT TOOLS

before servicing; when changing accessories such as blades, bits, cutters, etc.

17. AVOID ACCIDENTAL STARTING

Make sure switch is in "OFF" position before plugging in.

18. USE RECOMMENDED ACCESSORIES

Consult the owner's manual for recommended accessories. Follow the instructions that accompany the accessories. The use of improper accessories may cause hazards.

19. NEVER STAND ON TOOL

Serious injury could occur if the tool is tipped or if the cutting tool is accidentally contacted.

Do not store materials above or near the tool such that it is necessary to stand on the tool to reach them.

20. CHECK DAMAGED PARTS

Before further use of the tool, a guard or other part that is damaged should be carefully checked to ensure that it will operate properly and perform its intended function. Check for alignment of moving parts, binding of moving parts, breakage of parts, mounting, and any other conditions that may affect its operation. A guard or other part that is damaged should be properly repaired or replaced.

21. DIRECTION OF FEED

Feed work into a blade or cutter against the direction of rotation of the blade or cutter only.

22. NEVER LEAVE TOOL RUNNING UNATTENDED

Turn power off. Don't leave tool until it comes to a complete stop.

additional safety instructions for jointer-planer

Safety is a combination of operator common sense and alertness at all times when the Jointer-Planer is being used.

WARNING: FOR YOUR OWN SAFETY, DO NOT ATTEMPT TO OPERATE YOUR JOINTER-PLANER UNTIL IT IS COMPLETELY ASSEMBLED AND INSTALLED ACCORDING TO THE INSTRUCTIONS . . . AND UNTIL YOU HAVE READ AND UNDERSTOOD THE FOLLOWING.

	PAGE
1. GENERAL SAFETY INSTRUCTIONS FOR POWER TOOLS	2
2. GETTING TO KNOW YOUR JOINTER-PLANER	12
3. BASIC MACHINE OPERATION	18
4. USE OF HOLD-DOWN/PUSH BLOCKS	19
5. MAINTENANCE	21
6. STABILITY OF MACHINE	

If there is any tendency for the Jointer-Planer to tip over or move during certain operations such as when planing or jointing long heavy boards, the Jointer-Planer (stand) should be bolted to the floor.

7. LOCATION

The Jointer-Planer should be positioned so neither the operator nor a casual observer is forced to stand in line with the wood while it is being planed.

This machine is intended for indoor use only. Provide adequate lighting.

8. KICKBACKS

Kickbacks can cause serious injury. A kickback occurs when the operator loses control of the workpiece causing it to be kicked back toward him.

Kickbacks - and possible injury from them can usually be avoided by:

- a. Holding the workpiece firmly against tables and fence.
- b. Not taking too deep a cut at one time. A deep cut requires more effort to feed the wood while planing and can cause the wood to kickback. A cut between 1/32 and 1/16 of an inch deep will produce the best results.
- c. Not jointing, planing, or beveling pieces of wood smaller than recommended. (See section in this manual, "Basic Jointer-Planer Operations.") Smaller pieces of wood can tip over on the tables, or into the cutter head and can be kicked back toward you.
- d. Keeping blades sharp. Blades that are dull or nicked require more effort while planing and will tend to pound the wood rather than cut it, which can cause the wood to kickback. A nicked blade will cut a ridge in your wood and cause the wood to ride up on the outfeed table. Make sure the cutter blades are installed properly, and cutter blade wedge screws are tight.

9. PROTECTION: EYES, HANDS, FACE, EARS, BODY

- a. If any part of your jointer is malfunctioning, has been damaged or broken . . . such as the motor switch, or other operating control, a safety device or the power cord . . . cease operating immediately until the particular part is properly repaired or replaced.
 - b. Wear safety goggles that comply with ANSI Z87.1 and a face shield if operation is dusty. Wear ear plugs or muffs during extended periods of operation.
 - c. Do not plane, joint, or bevel wood shorter than 12 in. Smaller pieces of wood can tip over on the tables, or into the cutterhead and be kicked back toward you.
 - d. Always use the hold down/push block when jointing or beveling wood narrower than 3 in. but never joint or bevel wood narrower than 3/4 in., or less than 1/4 inch thick.
 - e. Always use the hold down/push blocks when planing wood thinner than 3 in. but never plane wood thinner than 1/2 in. under any circumstances.
 - f. Avoid awkward hand positions, where a sudden slip could cause a hand to move into the cutters.
 - g. Never turn your Jointer-Planer "ON" before clearing the table(s) of all objects (tools, scraps of wood, etc.) except for the workpiece and related feed or support devices for the operation planned.
 - h. Make sure the cutterhead revolves in the right direction, (toward the infeed table).
 - i. **KEEP CUTTER GUARD IN PLACE AND OPERATING PROPERLY AT ALL TIMES.** Regularly check the tension of the cutter guard spring to assure satisfactory operation. (See Getting To Know Your Jointer-Planer section.)
 - j. Always feed the wood completely through the cutter head and past the cutter guard so that the guard returns to the rest position against the fence. When using only one hold down/push block to feed the wood, do not place your other hand on the Jointer-Planer.
10. Warped wood should be surface planed on the concave side for best results.
11. To avoid a rough planed surface, determine if possible, which way the grain emerges from the wood and feed the wood accordingly.



12. Do not plane edges of plywood, composition materials, or wood that has glue on it or is painted or varnished. Planing these materials will dull the blades quickly.

additional safety instructions for jointer-planer

13. To be sure you will make a depth of cut as planned, always lower the infeed table slightly beyond the depth wanted, then raise the table to the desired depth.
14. When planing, jointing, or beveling wood over four (4) feet long, make sure it is supported at table height.
15. Never leave the Jointer-Planer work area with the power on, before the Jointer-Planer has come to a complete stop, or without removing and storing the switch key.
16. Never operate the Jointer-Planer with protective cover on the unused shaft end of the motor removed.
17. Do not attempt to perform an abnormal or little-used operation without study and the use of adequate hold down/push blocks, jigs, fixtures, stops, etc.
18. DO NOT perform layout, assembly, or setup work on the table while the cutting tool is rotating.

WARNING: THE 2" JOINTER-PLANER PULLEY AND THE 2-1/2" MOTOR PULLEY FURNISHED WILL RUN THE CUTTER HEAD AT APPROXIMATELY 4300 RPM

WHEN USED WITH A 3450 RPM MOTOR. NEVER SUBSTITUTE OTHER PULLEYS TO INCREASE THIS SPEED BECAUSE IT COULD BE DANGEROUS.

WARNING: DO NOT ALLOW FAMILIARITY (GAINED FROM FREQUENT USE OF YOUR JOINTER-PLANER) TO BECOME COMMONPLACE. ALWAYS REMEMBER THAT A CARELESS FRACTION OF A SECOND IS SUFFICIENT TO INFLICT SEVERE INJURY.

19. Read and follow the instructions appearing on the danger label on the cutter guard.

DANGER – FOR YOUR OWN SAFETY

READ AND UNDERSTAND OWNER'S MANUAL BEFORE OPERATING MACHINE

1. WEAR SAFETY GOGGLES PER ANSI Z87.1 AT ALL TIMES.
2. NEVER PERFORM A JOINTING OR PLANING OPERATION WITH CUTTER HEAD OR DRIVE GUARD REMOVED.
3. NEVER MAKE A JOINTING OR PLANING CUT DEEPER THAN 1/8 INCH.
4. ALWAYS USE HOLD DOWN/PUSH BLOCKS FOR JOINTING MATERIAL NARROWER THAN 3 INCHES. OR PLANING MATERIAL THINNER THAN 3 INCHES.



The operation of any power tool can result in foreign objects being thrown into the eyes, which can result in severe eye damage. Always wear safety goggles complying with ANSI Z87.1 (shown on Package) before commencing power tool operation. Safety Goggles are available at Sears retail or catalog stores.

contents

POWER TOOL GUARANTEE	2	GETTING TO KNOW YOUR JOINTER-PLANER	12
GENERAL SAFETY INSTRUCTIONS FOR POWER TOOLS	2	Depth of Cut Handwheel	12
ADDITIONAL SAFETY INSTRUCTIONS FOR JOINTER-PLANER	3	Fence Locks and Stops	12
MOTOR SPECIFICATIONS AND ELECTRICAL REQUIREMENTS	5	Fence Tilt Scale	13
Connecting to Power Source Outlet	5	Cutter Guard	14
Check Motor Rotation	5	Infeed Table	14
UNPACKING AND CHECKING CONTENTS	6	On-Off Switch	16
ASSEMBLY	7	BASIC JOINTER-PLANER OPERATION	18
Assembling Steel Legs	7	Feeding the Workpiece	18
Mounting Jointer-Planer On Recommended Craftsman Stand	8	Using the Hold Down/Push Blocks	19
Checking Cutterblade Screws	8	Beveling	20
Installing Sliding Guard	9	MAINTENANCE	21
Mounting Switch	9	Replacing Cutter Blades	21
Mounting Recommended Craftsman Motor and Belt Guards	9	Installing Cutter Guard Spring	23
Check Motor Rotation	10	Sharpening Cutter Blades	24
Jointer-Pulley Belt Guard Installation	11	GENERAL MAINTENANCE	25
		LUBRICATION	25
		TROUBLE SHOOTING	26
		RECOMMENDED ACCESSORIES	26
		REPAIR PARTS	27

motor specifications and electrical requirements

This machine is designed to use a 3450 RPM motor only. Do not use any motor that runs faster than 3450 RPM. It is wired for operation on 110-120 volts, 60 Hz., alternating current. **IT MUST NOT BE CONVERTED TO OPERATE ON 230 VOLTS, EVEN THOUGH SOME OF THE RECOMMENDED MOTORS ARE DUAL VOLTAGE.**

THESE CRAFTSMAN MOTORS HAVE BEEN FOUND TO BE ACCEPTABLE FOR USE ON THIS TOOL.

HP	RPM	VOLTS	CATALOG NO.
1/2	3450	110-120	1216
1/2	3450	110-120	1218
3/4	3450	110-120	1219
3/4	3450	110-120	1226

CAUTION: Do not use blower or washing machine motors or any motor with an automatic reset overload protector as their use may be hazardous.

CONNECTING TO POWER SOURCE OUTLET

This machine must be grounded while in use to protect the operator from electric shock.

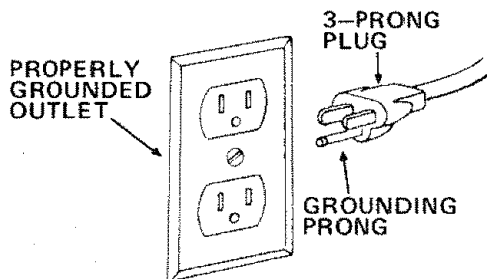
Plug power cord into a 110-120V properly grounded type outlet protected by a 15-amp. dual element time delay or Circuit-Saver fuse or circuit breaker.

If you are not sure that your outlet is properly grounded, have it checked by a qualified electrician.

WARNING: DO NOT PERMIT FINGERS TO TOUCH THE TERMINALS OF PLUGS WHEN INSTALLING OR REMOVING THE PLUG TO OR FROM THE OUTLET.

WARNING: IF NOT PROPERLY GROUNDED THIS POWER TOOL CAN INCUR THE POTENTIAL HAZARD OF ELECTRICAL SHOCK. PARTICULARLY WHEN USED IN DAMP LOCATIONS IN PROXIMITY TO PLUMBING. IF AN ELECTRICAL SHOCK OCCURS THERE IS THE POTENTIAL OF A SECONDARY HAZARD SUCH AS YOUR HANDS CONTACTING THE CUTTING BLADE.

If power cord is worn or cut, or damaged in any way, have it replaced immediately.



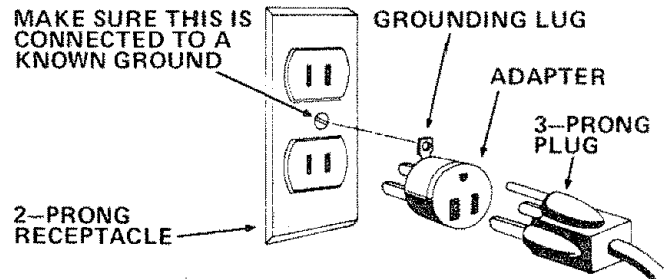
This power tool is equipped with a 3-conductor cord and grounding type plug which has a grounding prong listed by Underwriters' Laboratories Association. The ground conductor has a green jacket and is attached to the tool housing at one end and to the ground prong in the attachment plug at the other end.

This plug requires a mating 3-conductor grounded type outlet as shown.

If the outlet you are planning to use for this power tool is of the two prong type **DO NOT REMOVE OR ALTER THE GROUNDING PRONG IN ANY MANNER.** Use an adapter as shown and always connect the grounding lug to known ground.

It is recommended that you have a qualified electrician replace the TWO prong outlet with a properly grounded THREE prong outlet.

An adapter as shown below is available for connecting plugs to 2-prong receptacles. The green grounding lug extending from the adapter must be connected to a permanent ground such as to a properly grounded outlet box.



NOTE: The adapter illustrated is for use only if you already have a properly grounded 2-prong receptacle.

The use of any extension cord will cause some loss of power. To keep this to a minimum and to prevent overheating and motor burn-out, use the table below to determine the minimum wire size (A.W.G.) extension cord. Use only 3 wire extension cords which have 3-prong grounding type plugs and 3-pole receptacles which accept the tools plug.

Extension Cord Length	Wire Size A.W.G.
Up to 100 Ft.	14
100 - 200 Ft.	12
200 - 400 Ft.	8

CHECK MOTOR ROTATION

WARNING: FOR YOUR OWN SAFETY, MAKE SURE PLUG IS NOT CONNECTED TO POWER SOURCE OUTLET WHEN CHANGING MOTOR ROTATION.

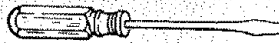
The motor must rotate **COUNTERCLOCKWISE** when viewed from the shaft end to which you will mount the pulley, (See page 10). If it does not, change the direction according to the instructions furnished with the motor.

unpacking and checking contents

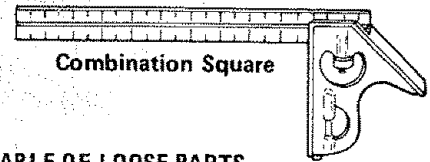
TOOLS NEEDED



1/2" Wrench
7/16" Wrench
3/4" Wrench
3/8" Wrench



Medium Screwdriver



Combination Square

Model 113.206801 Jointer/Planer is shipped complete in one carton but **DOES NOT INCLUDE** Steel Legs, or motor.

Model 113.206931 Jointer/Planer is shipped complete in one carton but **INCLUDES** Steel Legs, and Motor.

Separate all parts from packing materials and check each one with the illustration and the list of Loose Parts to make certain all items are accounted for, before discarding any packing material.

If any parts are missing, do not attempt to assemble the jointer/planer, plug in the power cord or turner the switch on until the missing parts are obtained and are installed correctly.

Remove the protective oil that is applied to all unpainted metal surfaces. Use any ordinary household type grease and spot remover.

CAUTION: Never use gasoline, naptha or similar highly volatile solvents.

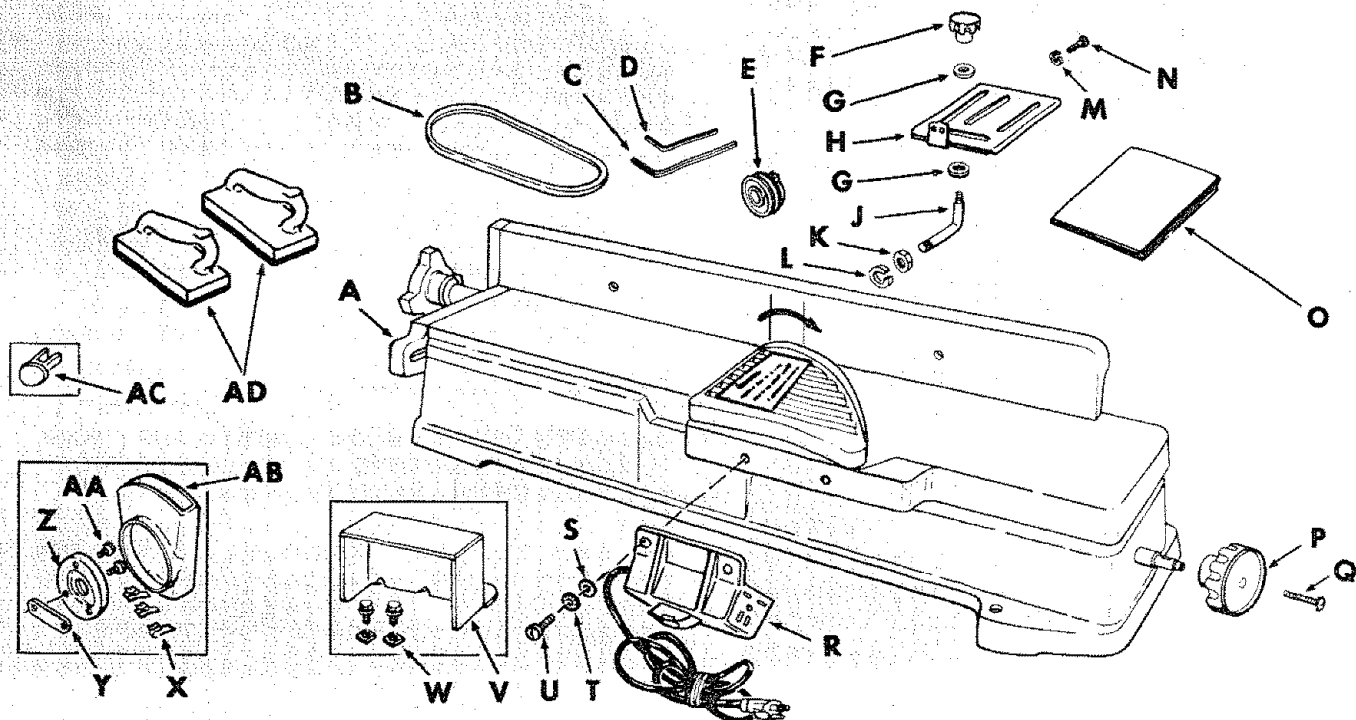
Apply a coat of automobile wax to the table.

Wipe all parts thoroughly with a clean, dry cloth.

WARNING: FOR YOUR OWN SAFETY, NEVER CONNECT PLUG TO POWER SOURCE OUTLET UNTIL ALL ASSEMBLY STEPS ARE COMPLETE, AND YOU HAVE READ AND UNDERSTAND THE SAFETY AND OPERATIONAL INSTRUCTIONS.

TABLE OF LOOSE PARTS

Item No.	Description	Qty.
A	Jointer-Planer	1
B	V-Belt, 1/2 x 52"	1
*C	5/32 Setscrew Wrench	1
*D	1/8 Setscrew Wrench	1
*E	Motor Pulley, 2-1/2" Dia.	1
*F	Sliding Guard Knob	1
*G	Concave Plastic Washer	2
H	Sliding Guard	1
*J	Sliding Guard Rod	1
*K	Nut, 1/2 - 13	1
*L	Lockwasher, 1/2	1
*M	Lockwasher, No. 10	2
N	Screw, Pan Hd., 10 - 32 x 1/4	2
O	Owners Manual	1
*P	Depth of Cut Handwheel	1
*Q	Screw, Sems, 1/4 - 20 x 1-1/4	1
R	On/Off Power Outlet	1
*S	Washer, 17/64 x 1/2 x 1/32	2
*T	Lockwasher, External 1/4	2
*U	Screw, Pan Hd. 1/4-20 x 1/2	2
V	Jointer-Planer Belt Guard	1
W	Attaching Hardware (2 Nuts, 2 Bolts)	
X	Belt Guard Clips	3
Y	Belt Guard Support Bracket	1
Z	Belt Guard Support	1
AA	Screw Pan Hd. 10-32 x 1/2	2
AB	Motor Pulley Belt Guard	1
AC	Switch Key	1
AD	Hold Down/Push Block	2

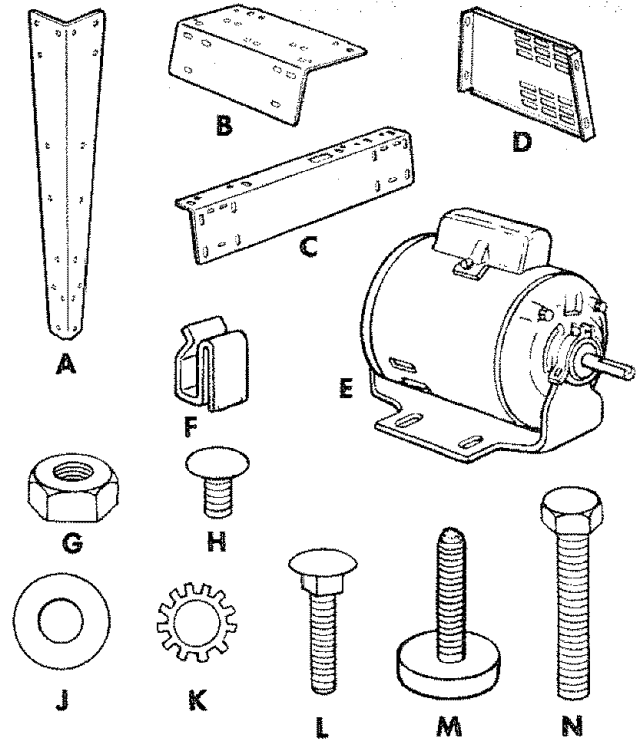


unpacking and checking contents

TABLE OF LOOSE PARTS

The Following Parts Are Included With Model 113.206931 Only

Item No.	Description	Qty.
A	Leg	4
B	End Stiffener	2
C	Side Stiffener	4
D	Motor Support	1
E	Motor	1
Package of Miscellaneous Small Parts, No. 67035, Consisting of the Following:		
F	Cord Clip	2
G	Hex Nut, 1/4 in. — 20 (approx. dia. of hole 1/4 in.)	40
G	Hex Nut, 5/16 in. — 18 (approx. dia. of hole 5/16 in.)	7
G	Hex Nut, 1/2 in. — 13 (approx. dia. of hole 1/2 in.)	8
H	Truss Hd. Screw, 1/4 in. — 20 x 5/8 in. long. (Top of screw is rounded)	40
J	Flat Washer (dia. of hole 11/32 in.)	7
K	Lockwasher, 1/4 in. External Type (approx. dia. of hole 1/4 in.)	40
K	Lockwasher, 5/16 in. External Type (approx. dia. of hole 5/16 in.)	7
L	Carriage Bolt, 5/16 in. — 18 x 3/4 long	3
M	Leveling Foot	4
N	Hex Hd. Screw, 5/16 in. — 18 x 2 in.	3



assembly

ASSEMBLING STEEL LEGS

NOTE: Steel Legs are furnished with Model 113.206931. From among the loose parts, find the following Hardware:

- 40 Truss Head Screws, 1/4-20 x 5/8
- 40 Lockwashers, 1/4-External
- 40 Hex Nuts, 1/4-20
- 8 Hex Nuts, 1/2-13
- 4 Leveling Feet

1. Assemble two (2) Side Stiffeners together using four (4) 1/4-20 Truss head screws, lockwasher and nuts. Make two (2) Side Stiffener assemblies.

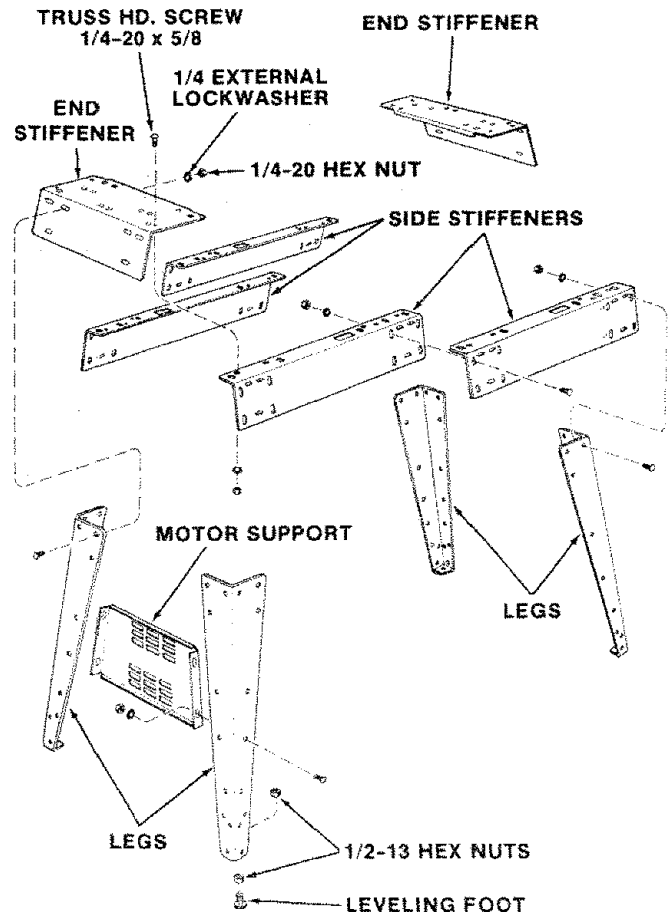
The End Stiffeners are placed on top and at each end of Side Stiffener assemblies as shown. Align holes, letter coded "B" in Side Stiffeners and End Stiffeners and then insert 1/4-20 Truss head screws through the 9/32 diameter holes and install lockwashers and nuts and then tighten.

2. Assemble the four (4) Legs to the Side and End Stiffeners using 1/4-20 screws, lockwashers and nuts as shown.

3. Assemble the Motor Support to the Legs with 1/4-20 screws, lockwashers and nuts. Motor Support can be assembled to either end of Leg set.

4. Install leveling feet as shown. To level Leg Set, loosen nut on inside of leg and turn nut on the outside to raise or lower feet. Adjust all four leveling feet, if necessary, and then tighten nuts on the inside of leg.

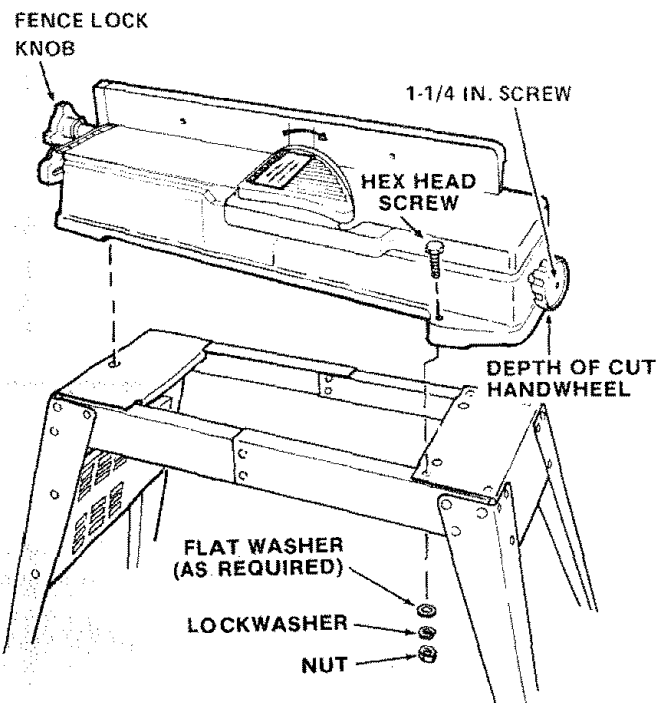
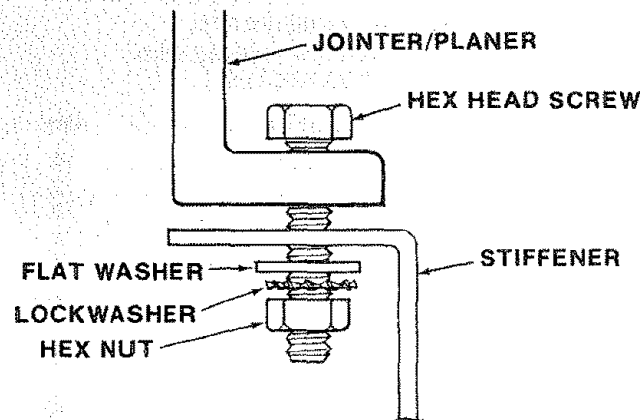
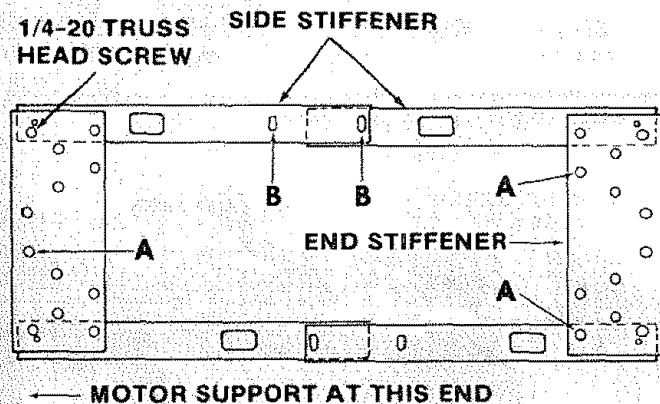
NOTE: These levelers are not intended for height adjustment.



assembly

MOUNTING JOINTER-PLANER

- From among the loose parts, find the following hardware:
 - 4 Carriage Bolt, 5/16-18 x 3/4
 - 3 Hex Head Screws, 5/16-18 x 2
 - 7 Lockwashers, 5/16 in. External Type
 - 7 Washers, 11/32 ID
 - 7 Hex Jam Nuts, 5/16-18
 - 2 Cord Clips
- Loosen FENCE LOCK KNOB. Tilt fence upward and slide it toward the pulley.
- Position machine on Leg Set and align mounting holes in machine with holes in Leg Set letter coded "A". Mount with three (3) 5/16-18 x 2" Long Hex Head Screws.
- Place a flat washer, a lock washer and a nut on each screw from underneath the stand and tighten.
- Place handwheel on shaft aligning flat surfaces on shaft with flat surfaces on handwheel . . . attach with 1-1/4 in. screw.

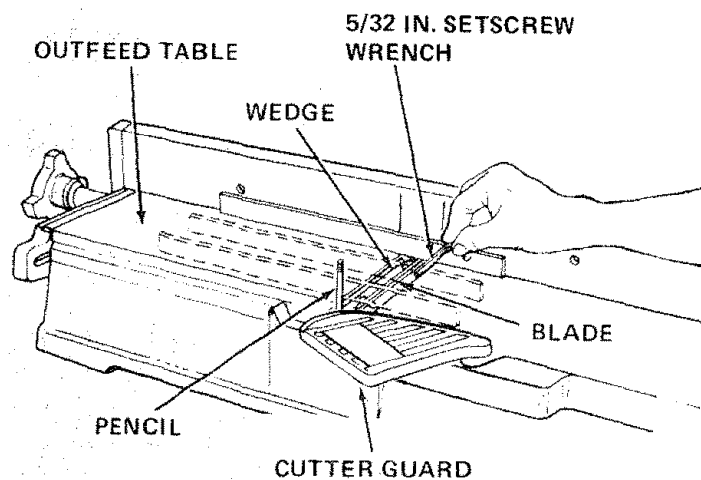


CHECKING CUTTER BLADES AND SCREWS

TOOLS NEEDED

- 5/32" and 1/8" Setscrew Wrenches (furnished with Jointer).
- Lead Pencil
- Short straight edge (or head of combination square)

- Insert pencil in space at end of cutterhead to hold cutterhead guard open.
- Lower the infeed table with the Depth of Cut Handwheel.
- Rest the straight edge on edge on the surface of outfeed table so it extends across the opening between the tables, at three positions: near each end and at the middle of the cutter blade.
- Rotate the cutterhead by grasping the 2" dia. driven pulley and make sure each knife nicks (touches) the straight edge at all three positions. If not, follow procedure under "REPLACING CUTTER BLADES" on ppg. 21 and 22.



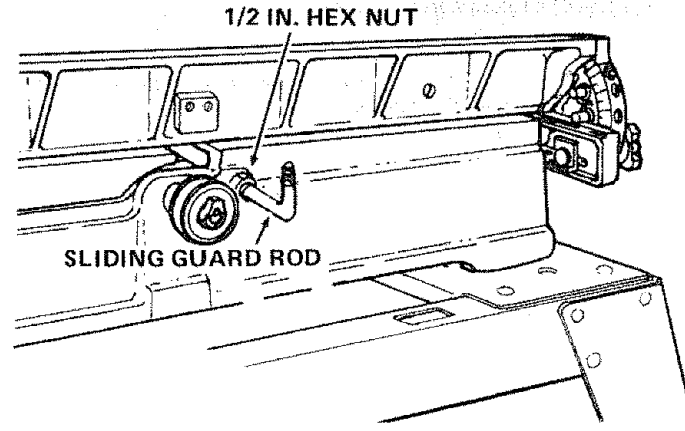
- If a cutter blade adjustment is not required, check each locking screw of each wedge (5/32" setscrew wrench) and tighten if necessary. Hold the pulley while tightening screws and be careful that your fingers do not slip off the wrench.

INSTALLING SLIDING GUARD

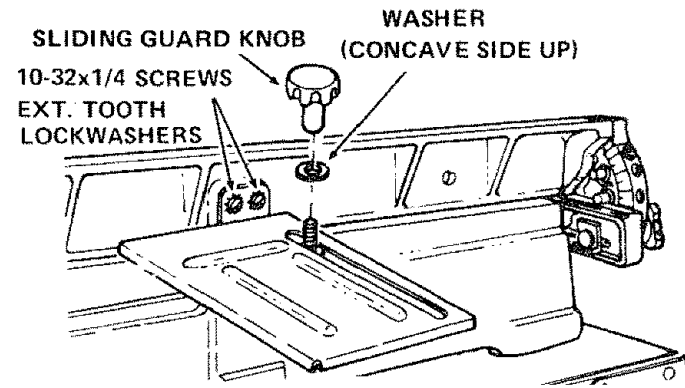
PARTS NEEDED

- 1 Sliding Guard
- 1 Sliding Guard Knob
- 1 Sliding Guard Rod
- 2 Sliding Guard Washers (one side of washer is concave)
- 1 Hex. Nut 1/2 in. - 13
- 1 Split lockwasher 1/2 in.
- 2 Ext. tooth lockwashers
- 2 10-32x1/4 Pan Hd. Screws

1. Screw nut all the way onto long end of rod . . . place 1/2 in. lockwasher next to nut.
2. Screw rod all the way into Jointer with short end up . . . tighten nut.



3. Attach sliding guard to fence with two machine screws and lockwashers.
4. Place one Sliding Guard Washer, concave side DOWN on support rod.
5. Drop sliding guard onto rod . . . place other washer, concave side UP on rod . . . screw on Sliding Guard Knob.



MOUNTING SWITCH

PARTS NEEDED

- 1 On/Off Power Outlet
- 2 Pan Hd. Screws, 1/4-20 x 1/2
- 2 Lockwashers, External 1/4
- 2 Washers, 17/64 x 1/2 x 1/32

Attach On/Off outlet to infeed table using two tapped holes.

MOUNTING RECOMMENDED CRAFTSMAN MOTOR AND BELT GUARDS

See page 5 for recommended motors.

PARTS NEEDED

- 4 carriage bolts, 5/16-18 x 3/4 in., flat washers, lock washers and nuts.
- 1 Jointer Planer Belt Guard
- 1 Motor Pulley Belt Guard
- 1 Belt Guard Support
- 1 Belt Guard Support Bracket

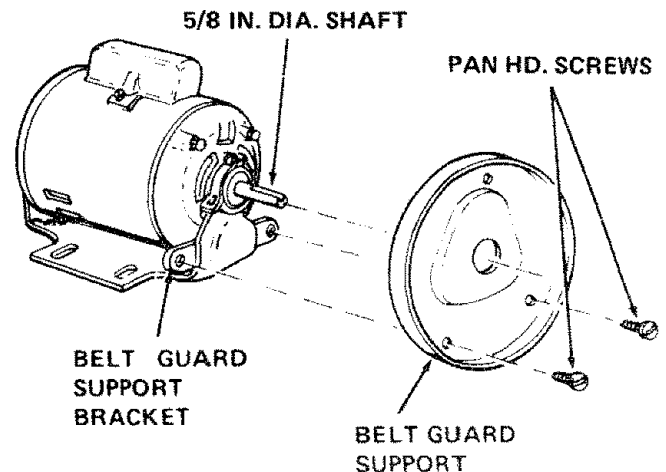
- 3 Belt Guard Clips
- 1 Motor Pulley, 2-1/2 in. dia.
- 1 V-Belt
- 2 Pan Head Screws 10 - 32 x 1/2 in.
- 2 Hex. Hd. Screws 1/4 - 20 x 1/2 in.
- 2 Hex. Nuts 1/4 - 20

TOOLS NEEDED

- Medium Screwdriver
- 5/32 in. Setscrew Wrench (furnished with Jointer)
- 1/2 and 7/16 in. Wrenches

1. Place motor on your workbench with 5/8 in. dia. shaft (with key way) facing you.
2. Attach guard support to bracket with two screws.

NOTE: The holes in the bracket are not threaded, but the screws are "thread cutting screws" and will cut a thread as they are tightened.



assembly

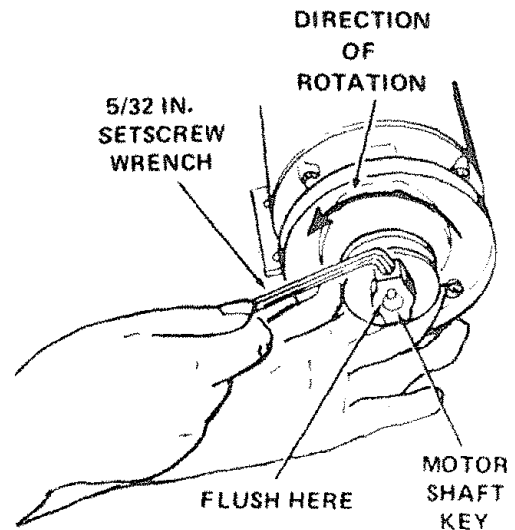
3. Loosen setscrew in motor pulley and place pulley on shaft with hub flush with end of shaft, insert motor shaft key and tighten setscrew.

CHECK MOTOR ROTATION

The motor must rotate **COUNTERCLOCKWISE** when viewed from **PULLEY** end.

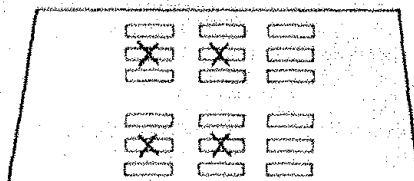
1. Place motor on your workbench or on floor.
2. Stand clear of motor and plug cord into a properly grounded outlet (See page 5). Notice rotation of pulley. If it is not turning **COUNTERCLOCKWISE**, REMOVE plug from outlet, and change rotation of motor according to instructions furnished with motor.

WARNING: FOR YOUR OWN SAFETY, MAKE SURE PLUG IS NOT CONNECTED TO POWER SOURCE OUTLET WHEN CHANGING ROTATION.

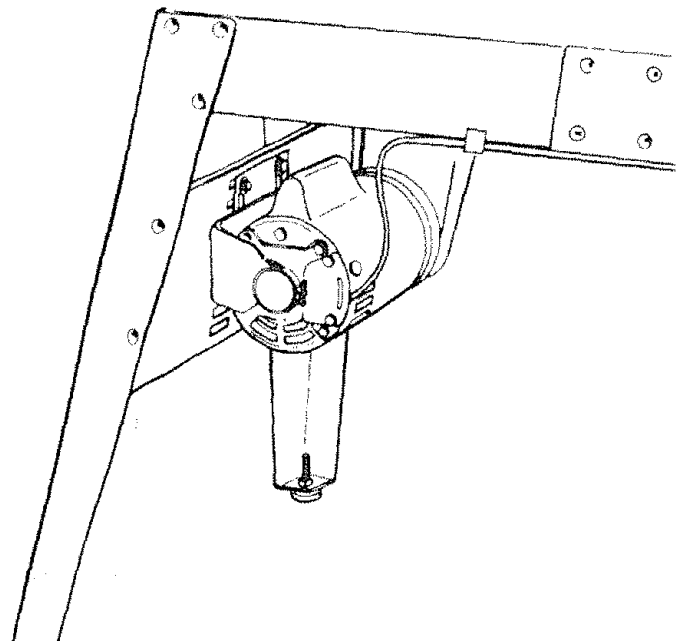


MOUNTING MOTOR

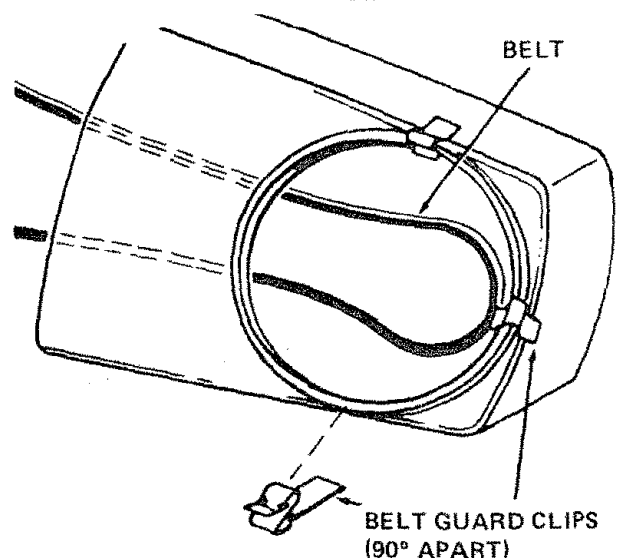
1. Find four 5/16-18 x 3/4" carriage bolts, flat washers, and lockwasher and nuts.
2. Attach motor by inserting carriage bolts through slots in motor base and through slots in motor support. Place a flat washer, lockwasher and nut on each carriage bolt, but **DO NOT TIGHTEN** nut.



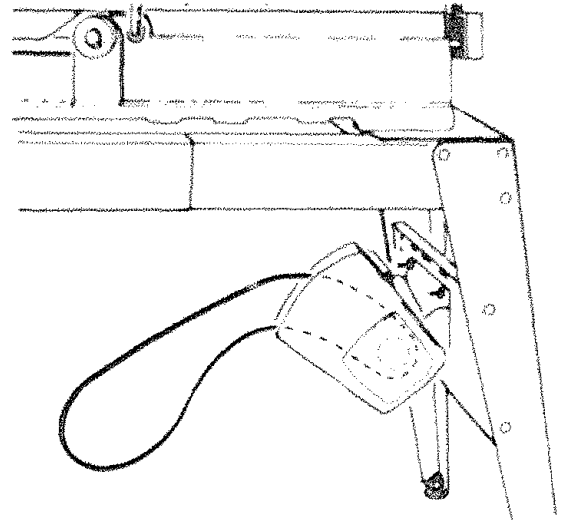
MOTOR MOUNT BRACKET



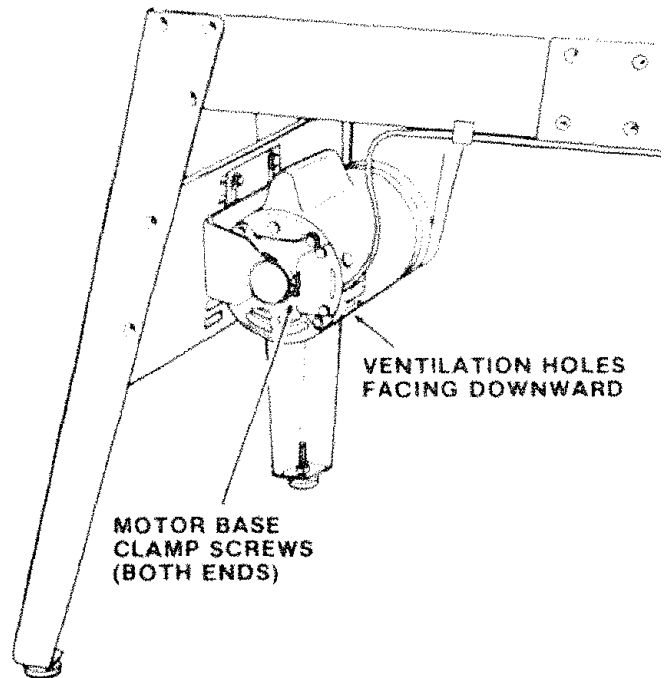
6. Install three clips on belt guard 90° apart with long tabs pointing **AWAY** from round opening.
7. Insert belt into open end of guard.



- Snap guard into position as shown.

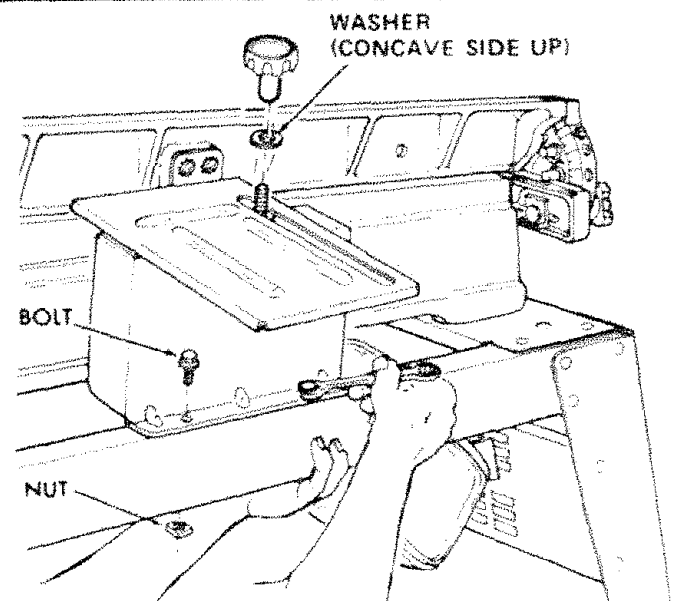


- Remove knob and washer . . . lift guard up.
 - Loosen the two **MOTOR BASE CLAMP SCREWS** and rotate the motor so that the ventilation slots are facing downward, tighten base clamp screws.
 - Install the 2-1/2" pulley on motor and move the motor sideways until the motor pulley is aligned with the pulley on the machine.
 - Install V-Belt and **PUSH** down on motor to apply tension to the belt and tighten nuts on motor mounting bolts.
- NOTE:** It is only necessary to apply enough tension to the belt to prevent it from slipping in pulleys while running.
- After motor and V-belt have been installed and adjusted for alignment and tension install the metal belt guard to Leg Set using the holes that are letter coded "B" as shown on page 8.
 - Insert motor cord plug through rectangular opening in side stiffener that is directly under switch box and then into the receptacle. To prevent damage to motor cord attach it to side stiffeners using the two (2) cord clips.



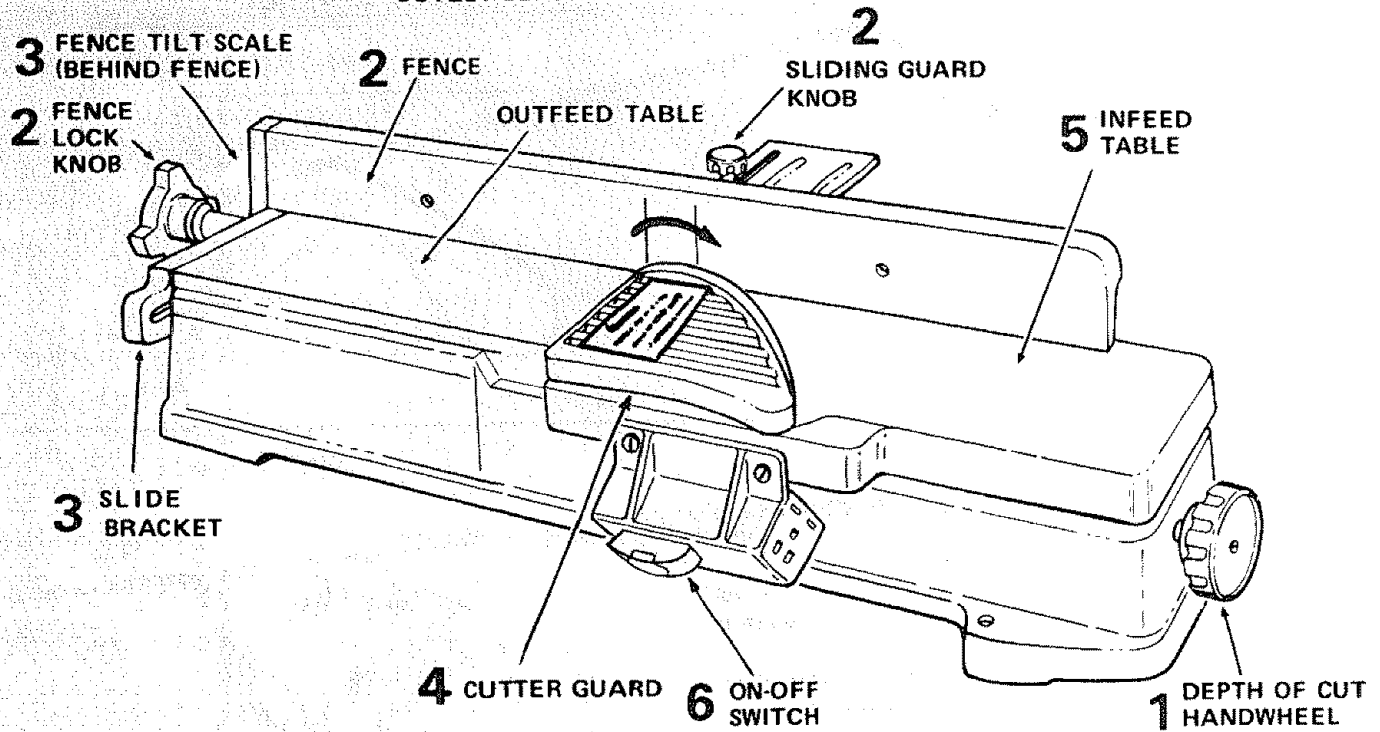
JOINTER-PULLEY BELT GUARD INSTALLATION

- Attach guard to stand with Hex. Hd. screws and nuts. Make sure belt does not scrape on guard.
- Replace washer **CONCAVE** side up . . . screw on knob.

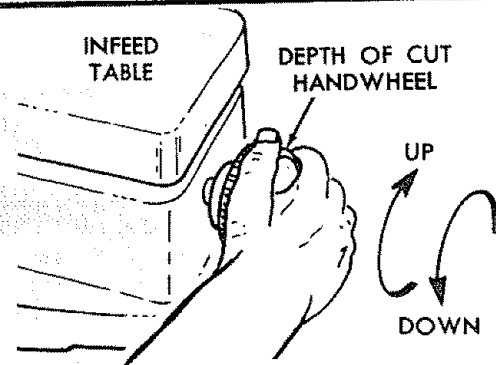


getting to know your jointer-planer

WARNING: FOR YOUR OWN SAFETY TURN SWITCH "OFF" AND REMOVE PLUG FROM POWER SOURCE OUTLET BEFORE MAKING ANY ADJUSTMENTS.



1. DEPTH OF CUT HANDWHEEL. Turning the handwheel counterclockwise will lower the infeed table to maximum depth of 1/8 in.



2. FENCE LOCKS AND STOPS. The fence can be moved across the Jointer to take full advantage of the "sharpness" of the blades.

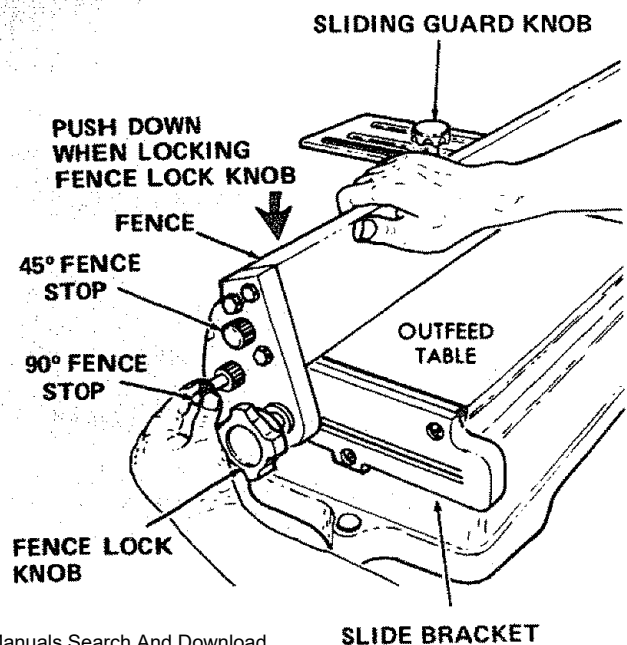
The fence should be positioned to the extreme right (toward pulley) but not beyond the end of the blades.

Most of the cutting (usually jointing) will be done with the fence in this position. As the blades become dull, the fence can be moved toward the left where the blades are sharper.

To move the fence, loosen the Fence Lock Knob and the Sliding Guard Knob and slide to desired position.

Make sure SLIDE BRACKET is even with surface of OUTFEED TABLE. If it is above or below the surface, loosen screws and adjust it.

- a. Always tighten fence lock knob first to align fence, then tighten sliding guard knob.



- b. Before tightening fence lock knob, hold fence down on outfeed table so it does not rock.
- c. 90° Fence Stop positions fence square to tables. To tilt fence, loosen the two knobs and pull the stop out. Tilt to desired angle and tighten both knobs.
- d. To set fence at 90° to tables, loosen the two knobs, tilt fence so the stop springs back into place. Tilt fence back so the stop rests on the

table and tighten both knobs.

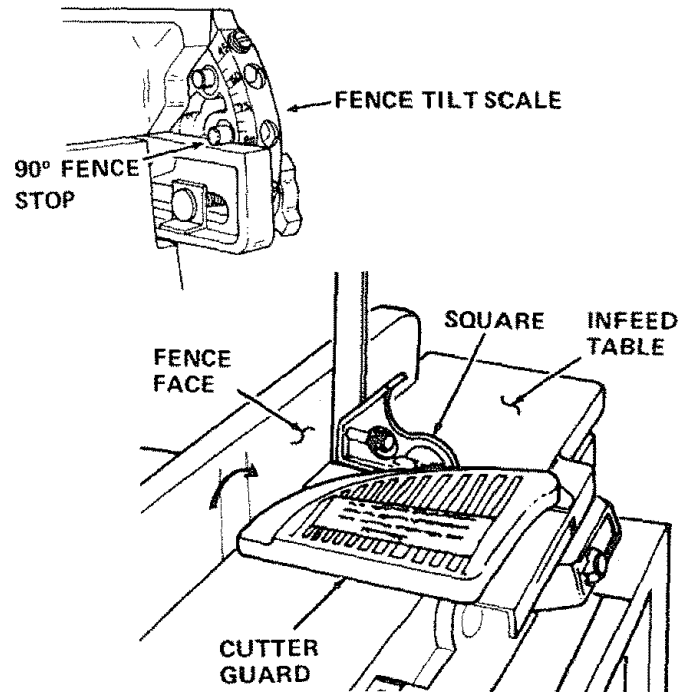
- e. 45° Fence Stop positions the fence at 45° to the tables.
- f. To tilt fence to 45° loosen the two knobs, pull 90° stop out, tilt fence so the 45° stop rests on the table
- g. Hold fence down on outfeed table and tighten the two knobs.

3. FENCE TILT SCALE. Indicates the angle of the fence to the tables. When the 90° fence stop is correctly adjusted, the fence will be 90° to the table and the scale will read 90°.

To check for squareness, place an accurate square on infeed table and check fence while locked at 90° position. **MAKE SURE 90° STOP IS AGAINST SLIDE BRACKET.**

If fence is not square to table;

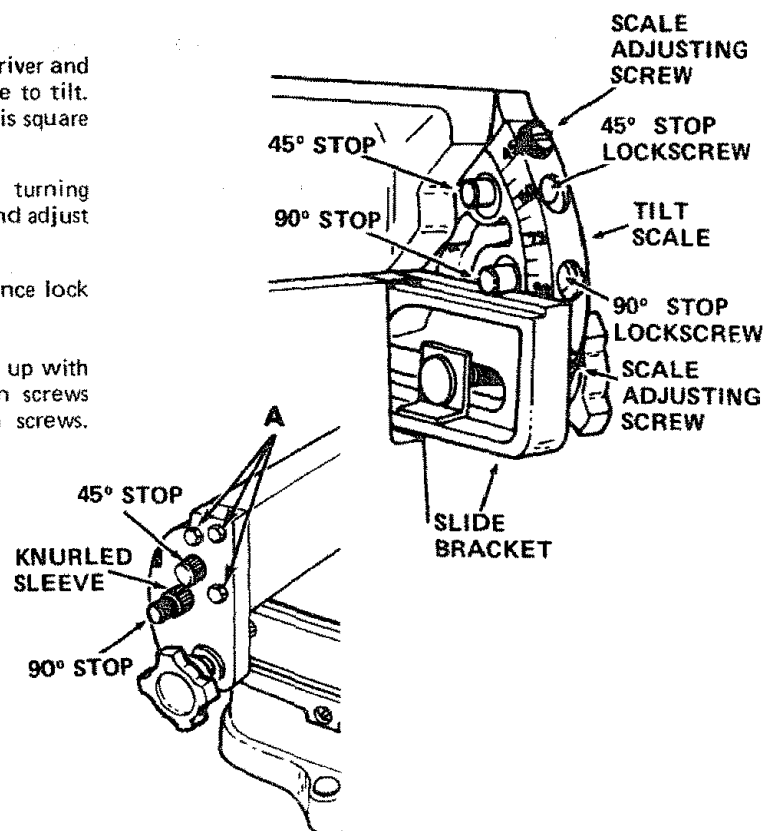
- a. Slightly loosen fence lock knob and guard lock knob.



- b. Loosen 90° stop screw with small screwdriver and turn knurled sleeve which will cause fence to tilt. Turn sleeve in either direction until fence is square with infeed table.

NOTE: If you cannot square fence by turning knurled sleeve, loosen three screws "A" and adjust fence square to table.

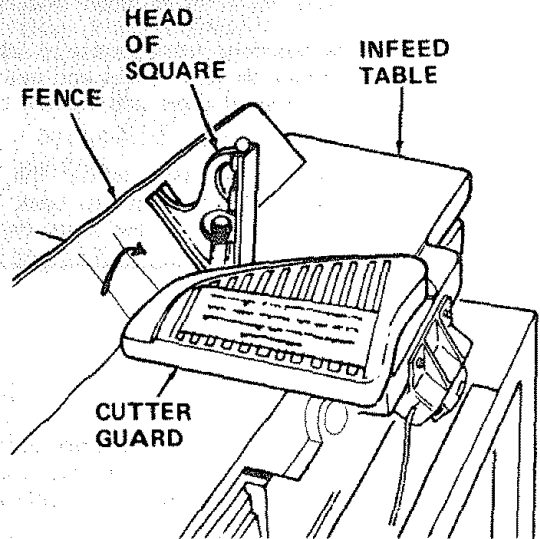
- c. Tighten 90° stop lock screw and both fence lock knobs.
- d. If 90° reading on tilt scale does not line up with top surface of the slide bracket, loosen screws holding scale and move it . . . tighten screws.



getting to know your jointer-planer

e. Adjust 45° stop in the same manner.

NOTE: Tilt scale will not require adjustment if it was adjusted for 90° position.



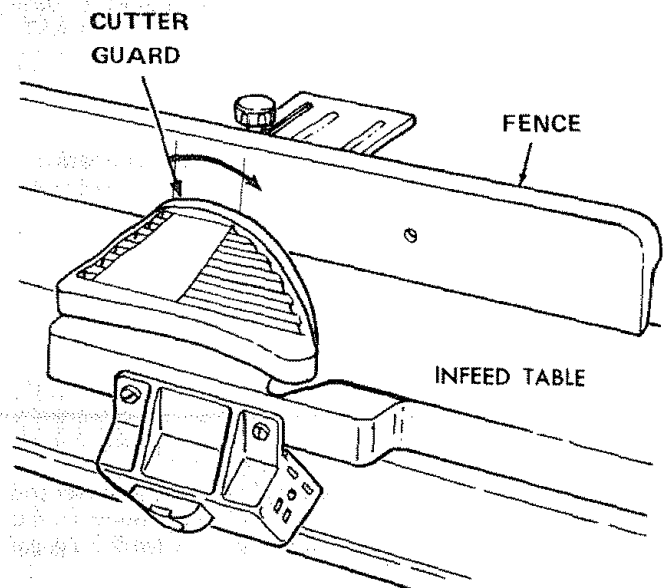
4. CUTTER GUARD. Provides protection over the cutter head. It must always be in place and functioning properly.

Check the guard to make sure it is functioning properly.

- a. Position fence to right for maximum width of cut.
- b. Pass a 1/4 in. thick piece of wood over cutterhead between guard and fence.

Guard must return automatically to "rest position" against fence when free of the wood.

If guard does not return automatically, see Trouble Shooting and Maintenance Sections.

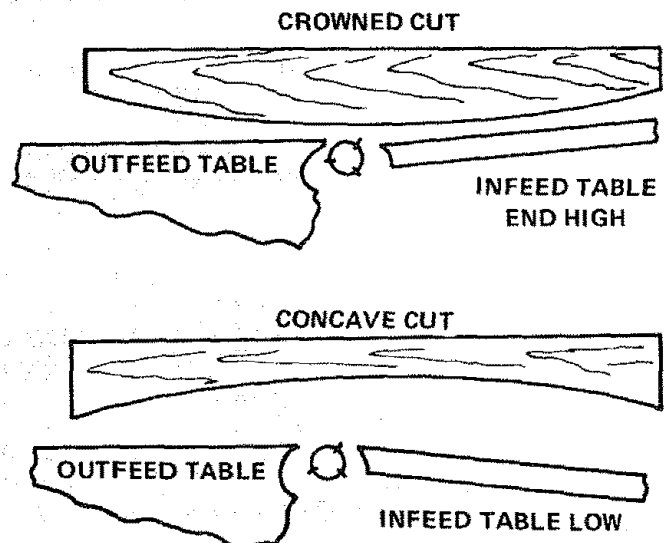


5. INFEED TABLE: MUST ALWAYS BE PARALLEL TO THE OUTFEED TABLE.

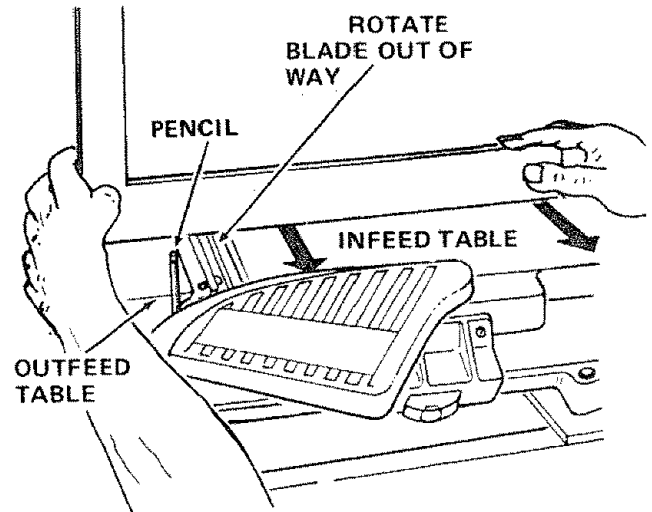
If the cut edge or surface of the workpiece is **CROWNED**, it is an indication that the **OUTWARD END** of the **INFEED** table is **HIGH** and must be adjusted.

If the cut edge or surface of the workpiece is **CONCAVE**, it is an indication that the **OUTWARD END** of the **INFEED** table is **LOW** and must be adjusted.

Check the infeed table to determine the "out of parallel" condition.



- Insert a pencil in space at end of cutterhead to hold cutterguard open.
- Place a straightedge (large square or long level) on outfeed table. First along one side than along the other.
- Raise infeed table until it touches straightedge.
- Sight between table and straightedge to determine high or low condition of end of infeed table.

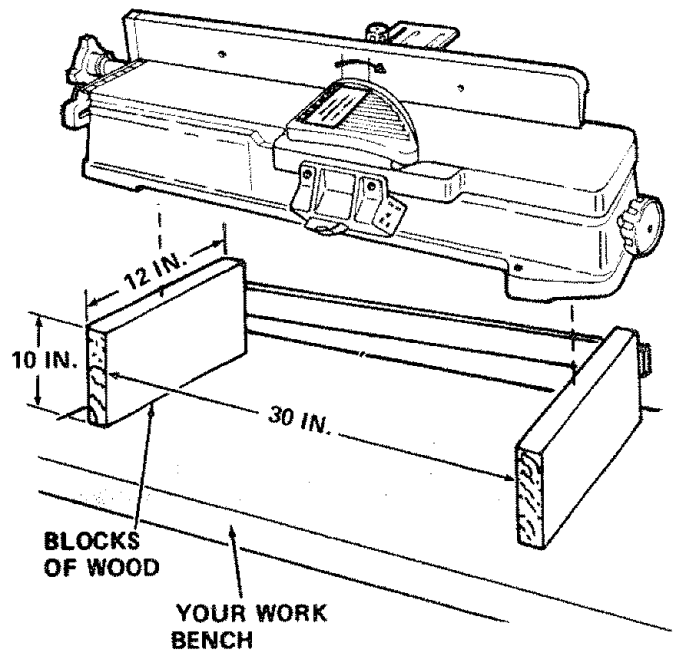


It is easier to adjust the infeed table while the Jointer is setting on your workbench.

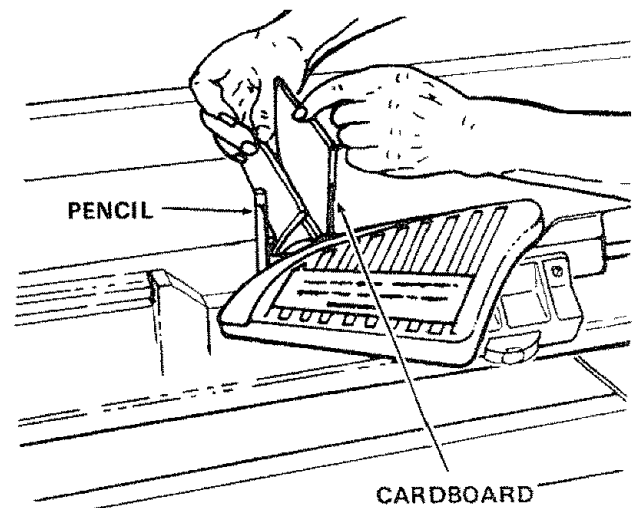
Do not turn the Jointer on its side or upside down to adjust it.

Attach a strip of wood to two blocks of wood 10 in. high. Drive enough nails into the strip so that Jointer does not tip over while resting on blocks.

- Remove motor cord from outlet in switch box.
- Remove Jointer pulley guard and V-belt.
- Remove Jointer from stand.
- Lower the infeed table.
- Place Jointer on blocks.

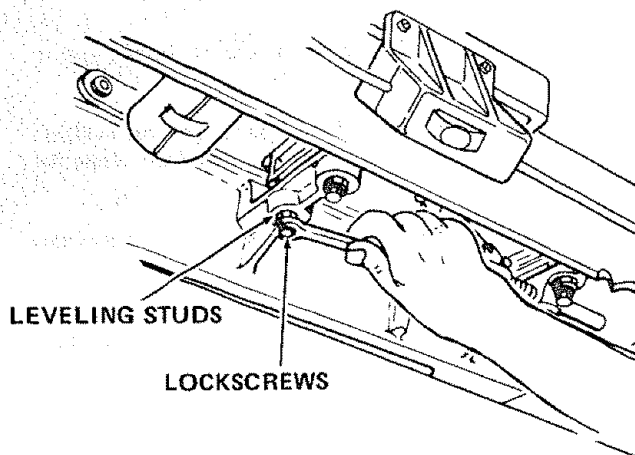


- Insert a pencil in space at end of cutterhead to hold cutterguard open.
- Wrap a piece of cardboard around cutterhead to protect your fingers and the blades . . . secure cardboard with a piece of tape.



getting to know your jointer-planer

- h. Loosen four lock screws 2 or 3 turns with 1/2 in. wrench.

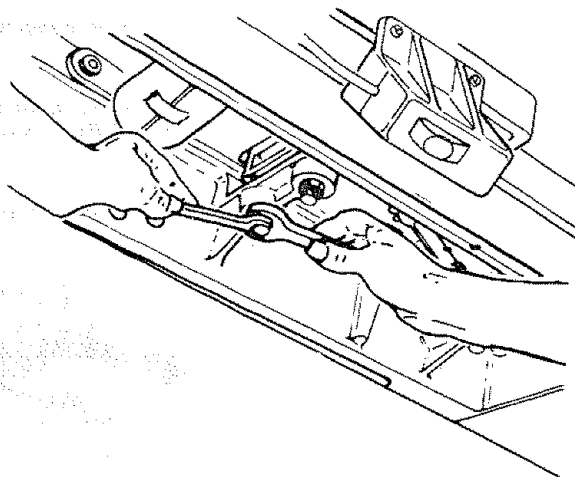


VIEW LOOKING UP FOR PARTS IDENTIFICATION

Turning the LEVELING STUDS will RAISE or LOWER the infeed table.

SCREWING in the studs will RAISE the table . . . UNSCREWING them will LOWER the table.

- With a 3/4 in. wrench turn leveling studs until infeed table is parallel with straightedge.
- While holding studs with wrench, TIGHTEN all four LOCKSCREWS . . . tighten each screw a little bit at a time until all four screws are tight.
- Recheck with straightedge to make sure infeed table (in raised and lowered positions) is parallel to outfeed table.



- 6. ON-OFF SWITCH:** It is unlikely that it will be turned "ON" accidentally, when touched or bumped, because of the way it is shaped.

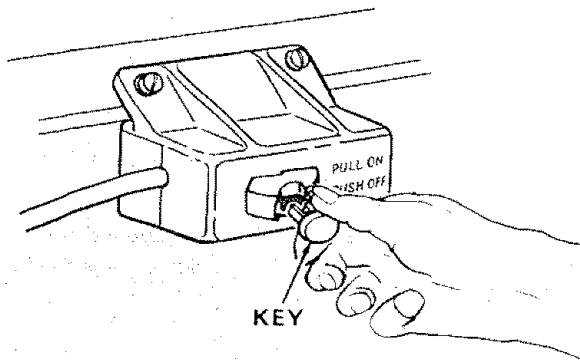
In an emergency, it can be turned "OFF" by striking it with the palm of the hand.

The "yellow button" is a key. When inserted in the switch lever, the power may be turned ON and OFF. When it is removed, the power cannot be turned ON.

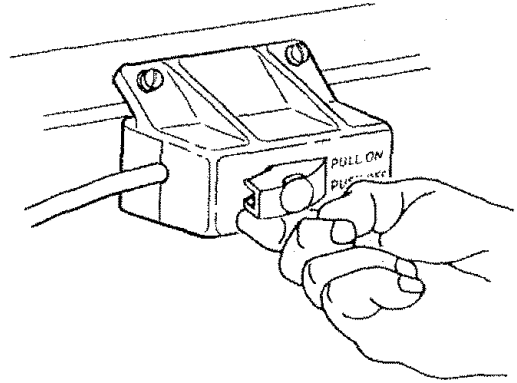
THIS FEATURE IS INTENDED TO PREVENT UNAUTHORIZED AND POSSIBLE HAZARDOUS USE BY CHILDREN AND OTHERS.

- a. Insert Key into switch.

NOTE: Key is made of yellow plastic.

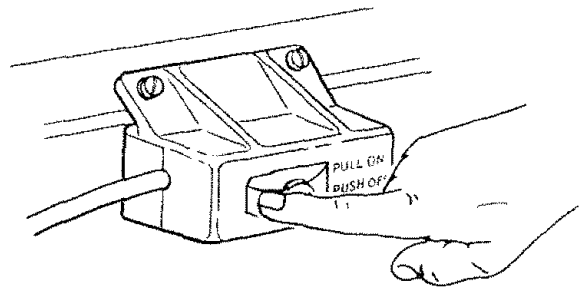


- b. To turn machine on, insert finger under switch lever and pull end of switch out.



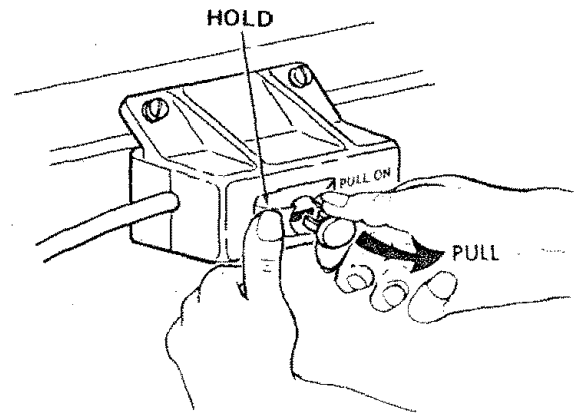
- c. To turn machine OFF . . . PUSH lever in.

Never leave machine unattended until it has come to a complete stop.



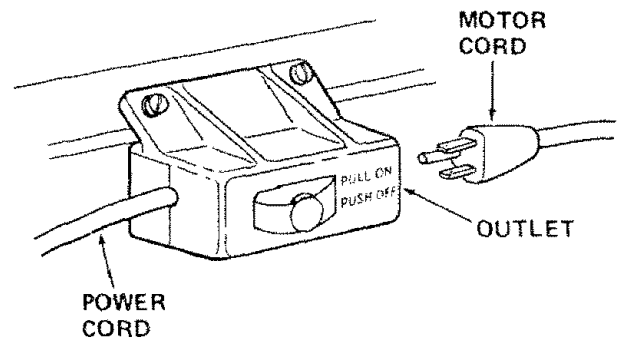
- d. To lock switch in OFF position . . . hold switch IN with one hand . . . REMOVE key with other hand.

WARNING: FOR YOUR OWN SAFETY, ALWAYS LOCK THE SWITCH "OFF" WHEN MACHINE IS NOT IN USE . . . REMOVE KEY AND KEEP IT IN A SAFE PLACE . . . ALSO . . . IN THE EVENT OF A POWER FAILURE (ALL OF YOUR LIGHTS GO OUT) TURN SWITCH OFF . . . AND REMOVE THE KEY. THIS WILL PREVENT THE MACHINE FROM STARTING UP AGAIN WHEN THE POWER COMES BACK ON.



- e. Plug motor cord into outlet in switch box.

WARNING: DON'T CONNECT POWER CORD TO ELECTRICAL OUTLET IN YOUR SHOP UNTIL YOU ARE SURE THAT MOTOR ROTATION IS CORRECT. (SEE PAGE 10).



basic jointer-planer operation

For your own safety, **ALWAYS** use the hold down/push blocks when **JOINTING** wood that is **NARROWER** than 3 in. . . or when **PLANING** wood that is **THINNER** than 3 in.

Do not plane, joint or bevel wood shorter than 12 in. Material this short is more difficult to control while

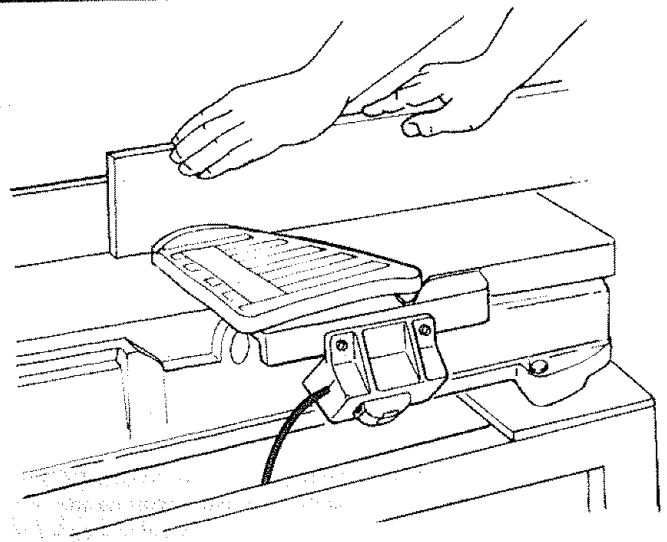
being cut. Small pieces of wood can tip over on the tables or into the cutterhead and can be kicked back toward you.

For best results, take light cuts. For average planing, jointing, or beveling, a cut between 1/32 and 1/16 in. deep will produce the best results.

FEEDING THE WORKPIECE

Hold the board firmly **DOWN** on both tables and **AGAINST** the fence . . . keep fingers close together.

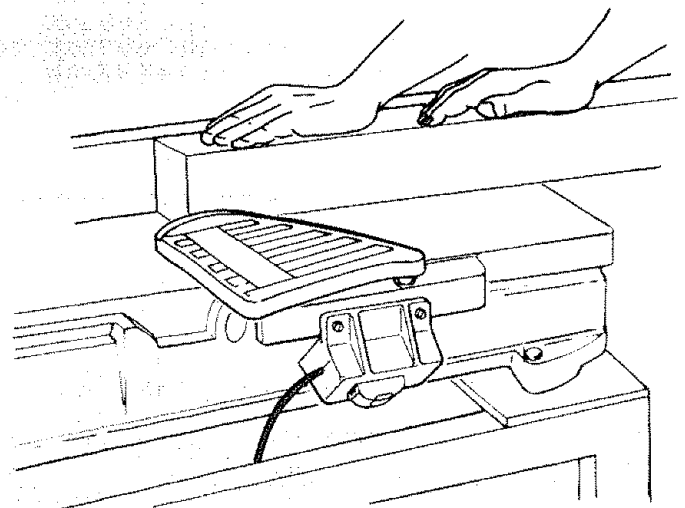
Feed the board at a continuous even rate of speed until the cut is made along the entire length of the board. Any hesitation or stopping could cause a "step" to be cut on the edge of the board which would cause the board to ride up on the outfeed table resulting in a "crooked" edge on the board.



JOINTING WOOD THAT IS WIDER THAN 3 IN.

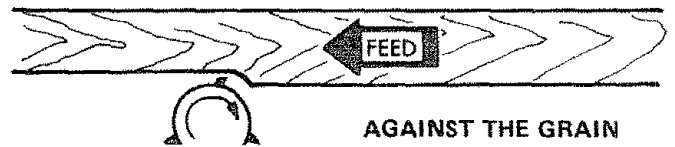
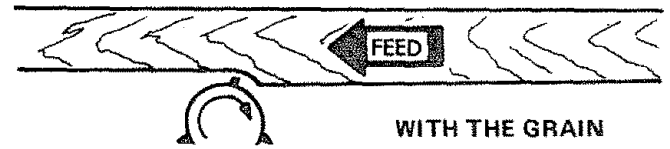
As the **RIGHT** hand passes over the cutterhead, remove the **LEFT** hand . . . **CONTINUE** feeding while placing the **LEFT** hand behind the **RIGHT**. Continue feeding in this manner "hand over hand", until the entire length of the board is cut. Pressure should be applied over the cutterhead and outfeed table.

DO NOT FEED TOO FAST. A slow steady rate of feed produces a smooth accurate cut. Feeding too fast causes a "rippled" cut . . . makes it difficult to guide the workpiece accurately and could be hazardous.



PLANING WOOD THAT IS THICKER THAN 3 IN.

Always feed **WITH THE GRAIN** whenever possible. If the nature of the workpiece is such that it must be fed **AGAINST THE GRAIN**, take very light cuts and feed slowly.



USING THE HOLD DOWN/PUSH BLOCKS

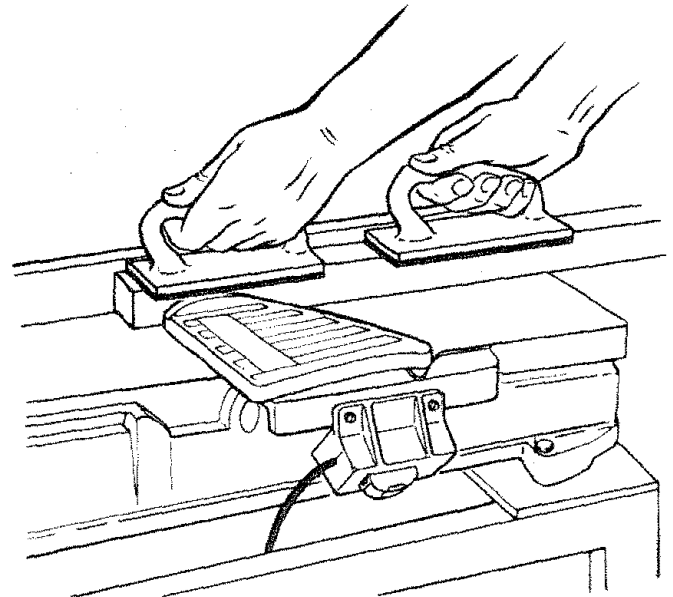
ALWAYS use the hold down/push blocks when **JOINTING** wood that is **NARROWER** than 3 in. or planing wood that is thinner than 3 in.

Grasp the hold down/push blocks firmly with the fingers close together and wrapped around the handle. Position them flat on top of workpiece, and push the workpiece down against the table to provide a quality cut and minimize the chance of a kickback.

Hold-down pressure must also be sufficient to prevent hold-down/push block sliding or slipping on the top face of workpiece when advancing workpiece over cutter head.

Use a hand over hand motion of the hold down/push blocks being careful to maintain control over the workpiece at all times.

This means that once the workpiece has been fed past cutter head onto outfeed table, one hold down/push block must always maintain contact of workpiece with outfeed table.

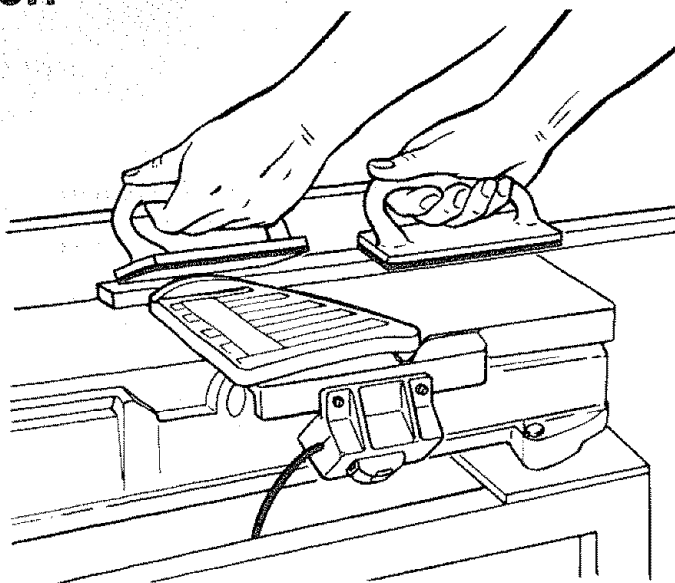


CAUTION: If the **HOLD DOWN/PUSH BLOCKS** tend to slip while feeding, clean rubber surface immediately with sandpaper.

basic jointer-planer operation

When planing wood $\frac{3}{4}$ in. thick and **NARROWER** than the hold down/push block, tilt the hold down/push block so that it clears the top of the cutterguard while feeding.

Never plane wood that is thinner than $\frac{1}{2}$ in. . . . because it is apt to split or shatter and thus has a greater tendency to kickback.



BEVELING

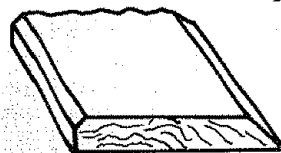
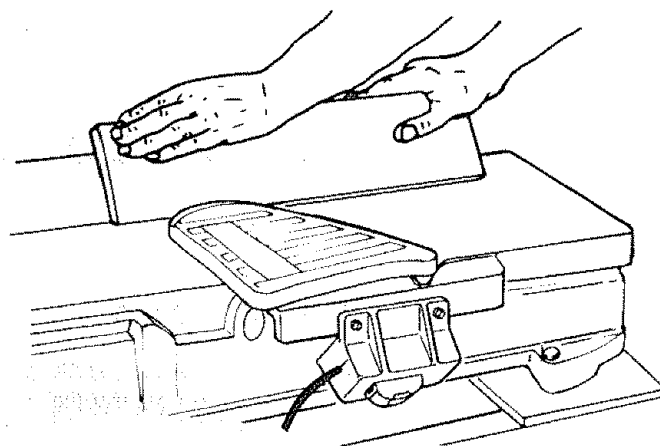
Adjust the fence to the desired angle . . . tighten fence and guard lock knobs.

Follow the same procedure for jointing or planing.

NOTE: Removing only the corner on the edge of a board is known as **CHAMFERING**.

Normally a chamfer is made with one cut . . . therefore, a cut deeper than $\frac{1}{16}$ in. may be made.

Use hold down/push blocks for wood under 3 in. wide. Position them so you have control of the workpiece at all times and so they do not contact the guard or the cutter head.



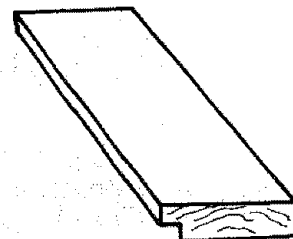
CHAMFER

BEVEL

NOTE: Rabbeting on a Jointer is considered to be a dangerous operation because it requires removal of the cutter guard and increases the potential of kickback because of excessive depth of cut.

NEVER ATTEMPT TO PERFORM A RABBETING OPERATION ON THIS JOINTER. DO NOT OPERATE JOINTER/PLANER WITH CUTTERHEAD OR BELT GUARDS REMOVED.

Rabbet cuts should be made on the Radial Saw or Table Saw by making two cuts with the sawblade or by using the Dado Head or Molding Head. Rabbet cuts can also be made using the Shaper or Portable Router.



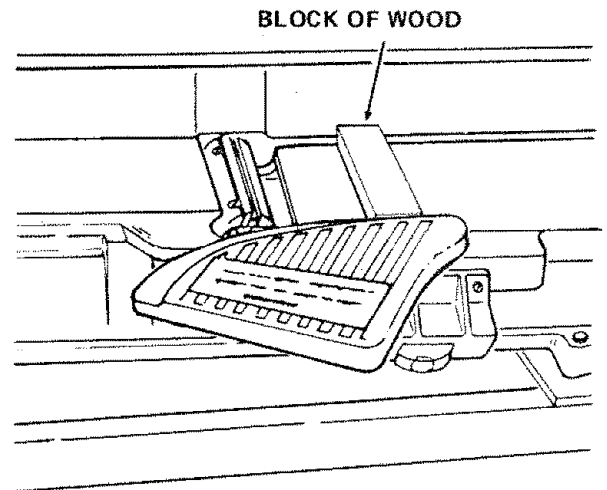
RABBET CUT

maintenance

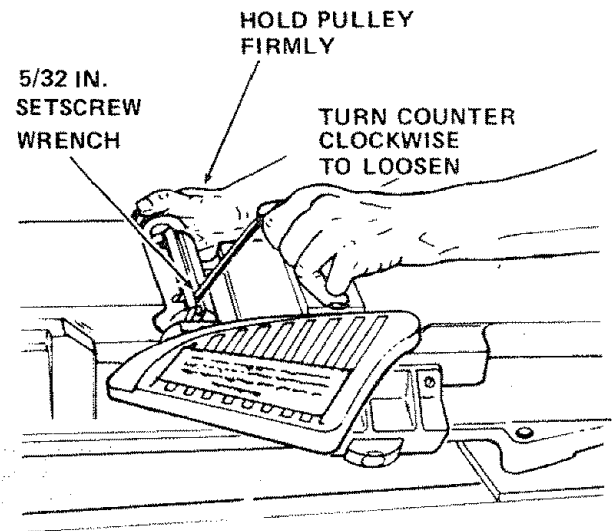
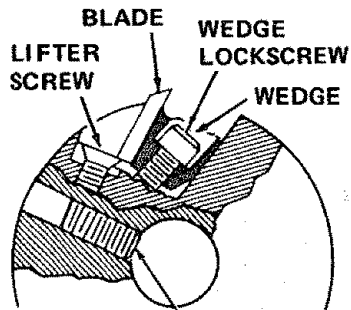
REPLACING CUTTER BLADES

WARNING: FOR YOUR OWN SAFETY, TURN SWITCH "OFF" AND REMOVE PLUG FROM POWER SOURCE OUTLET BEFORE ADJUSTING, MAINTAINING, OR LUBRICATING YOUR JOINTER-PLANER.

1. Remove belt guard.
2. Position fence to right . . . approximately 1/4 in. beyond cutter blades . . . lock it in place.
3. Lower infeed table all the way down.
4. Place block of wood 6-3/4 in. long between cutter-guard and fence.

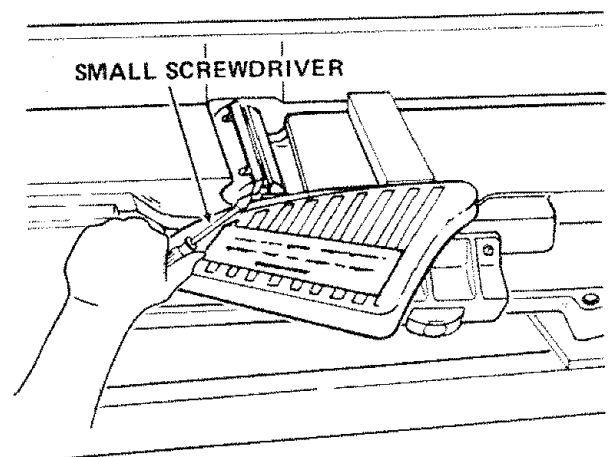


5. Hold cutterhead pulley firmly with one hand and loosen lock screws in each wedge using a 5/32 in. setscrew wrench.



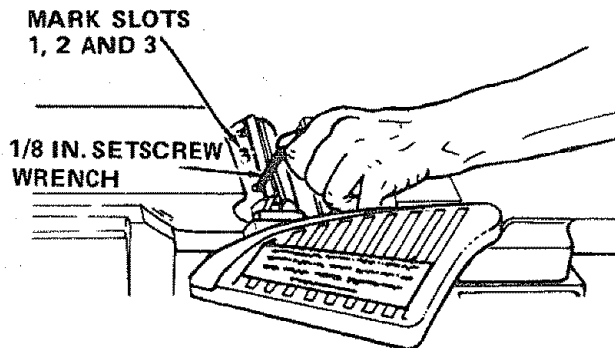
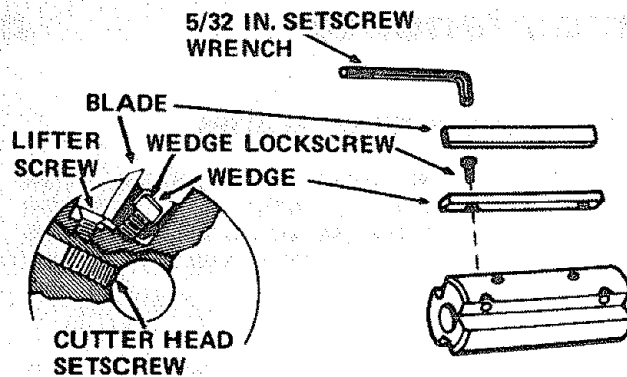
FENCE NOT SHOWN FOR PICTURE CLARITY

6. While holding cutterhead pulley firmly with one hand, gently pry up each wedge using a screwdriver . . . remove wedges and blades.



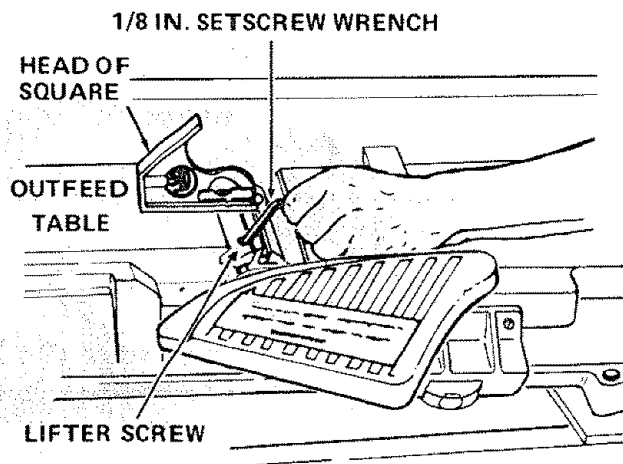
maintenance

7. Remove the six lifter screws. (Two under each blade.)
8. Clean cutterhead, wedges and screws thoroughly with Craftsman Gum and Pitch Remover. Also remove the oil from new blades.
9. Replace the six lifter screws and screw them in all the way, but do not tighten. Mark each slot 1, 2, and 3. This will help you in setting the blades.

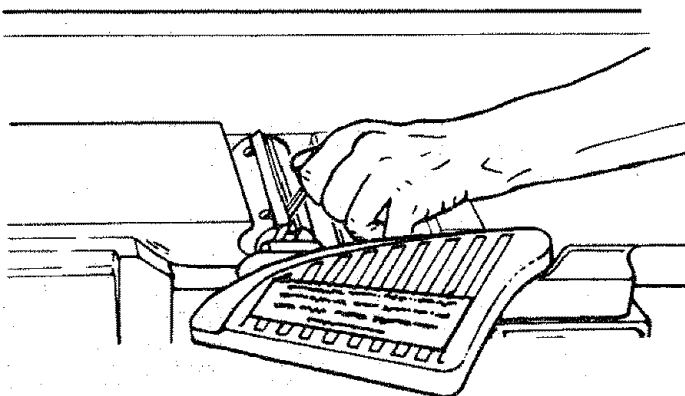


10. Insert a blade in slot marked 1 ... so it projects 1/16 in. beyond end of the cutterhead.
11. "Insert a wedge next to blade so the flat side of the wedge is against the blade. Push wedge in manually — do not install two locking setscrews at this time."
12. Place head of square on outfeed table. Loosen lifter screws to raise blade until it just touches square and slightly raises it. Gently turn cutter head back and forth with the pulley while raising blade. The blades should be adjusted just slightly above the outfeed table, by approximately .003 in. (thickness of an average piece of paper).

NOTE: Sears has a knife setting gauge for this purpose. Cat. # 9-2647



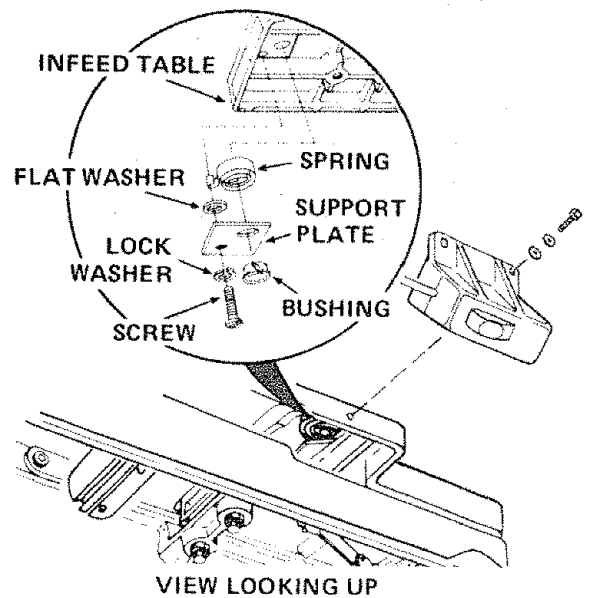
13. "Now install both locking setscrews and tighten (with the 5/32" setscrew wrench) alternately a little at a time. Tighten both screws securely. Recheck the blade to make sure it did not change position."
14. Install other two blades the same way.



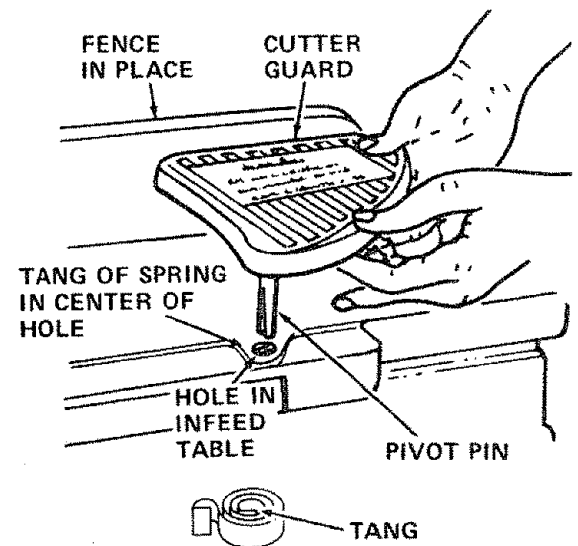
INSTALLING CUTTER GUARD SPRING

1. Remove cotter pin from pivot pin in cutter guard and remove guard (located underneath infeed table.)

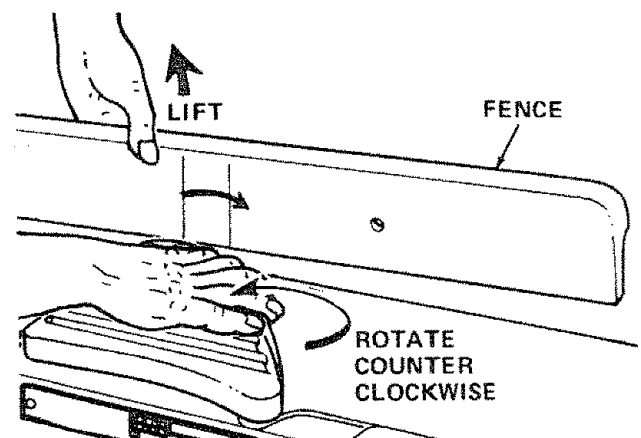
Spring must appear as in sketch from underside of infeed table, it will not perform properly if installed upside down.



2. Position guard as shown, with PIVOT PIN above hole in infeed table.
3. Align SLOT in pin with TANG in spring, and press down.
4. Replace cotter pin.



5. RAISE end of FENCE, rotate guard COUNTER clockwise only enough to CLEAR fence.
6. LOWER fence and tighten both knobs.



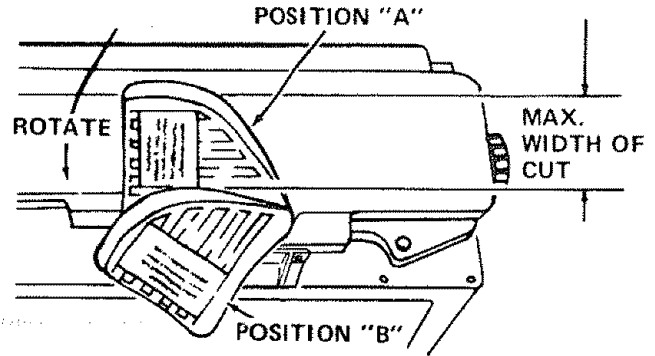
maintenance

The normal position of guard (at REST) when fence is stationed at MAXIMUM WIDTH OF CUT, is shown as "position "A" NEVER ROTATE GUARD BEYOND POSITION "B" BECAUSE THIS WOULD EXERT EXCESSIVE TENSION ON SPRING WHICH COULD WEAKEN OR BREAK IT.

Check operation of GUARD and SPRING.

1. With fence in MAXIMUM WIDTH OF CUT position, pass a piece of 1/4 in. thick wood on edge (jointing position) over cutterhead.
2. The guard should return automatically to its REST position against the fence when free of the wood.
3. If guard does not return to its REST position, remove cotter pin from pivot pin and remove guard. Check pivot pin and hole . . . make sure there are no burrs, rust, or other foreign matter.
4. Apply a few drops of SAE No. 20 or No. 30 engine oil to pivot pin.
5. Replace guard and cotter pin.

If guard still does not return to its REST position, consult your local Sears Retail Store before using the jointer-planer.

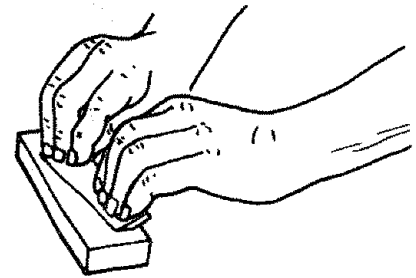


SHARPENING CUTTER BLADES

The blades can be honed individually with an ordinary oilstone.

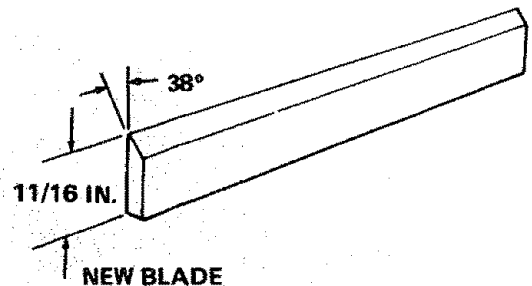
Make sure your oilstone is not worn in the center. It must be flat.

Be sure to remove the burr on the flat side.



If the blades are nicked, they must be replaced or reground. They can be reground several times until they become 9/16 in. wide. **Never install reground blades less than 9/16 in. wide.**

Have your knives reground by someone who is competent. Look in the "Yellow Pages" of your telephone directory . . . see "Sharpening Services".



general maintenance

Keep your jointer-planer clean. Put a carton or some kind of a container underneath your jointer-planer to catch the chips. The container should reach above the top of the motor.

Do not allow pitch to accumulate on the tables, the fence, the cutter guard, the cutter head or the knives. Clean them with Craftsman Gum and Pitch Remover.

Apply a thin coat of automobile-type wax to the tables and fence so that the wood slides easily while feeding.

Do not allow chips to accumulate on the underside of the jointer-planer.

Frequently blow out any dust that may accumulate inside the motor.

For motor maintenance, follow instructions furnished with motor.

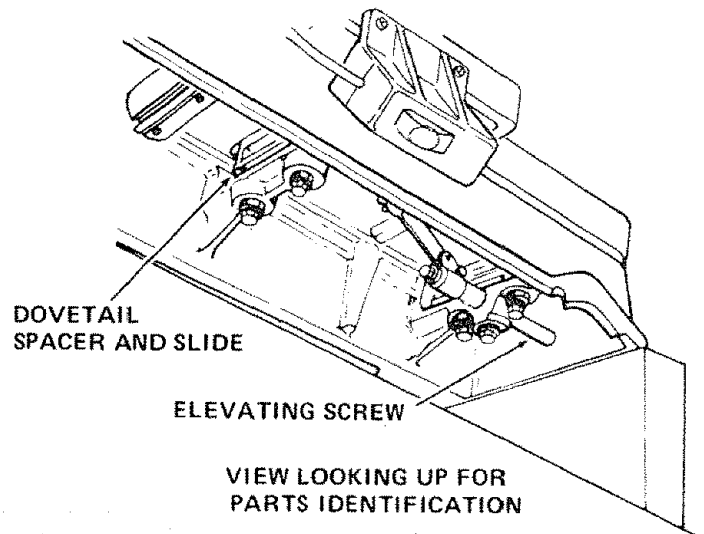
If power cord is worn or cut, or damaged in any way, have it replaced immediately.

Lubrication

The BALL BEARINGS in this machine are packed with grease at the factory. They require no further lubrication.

The following parts should be oiled occasionally with SAE No. 20 or No. 30 engine oil.

1. Dovetail spacer and dovetail slide.
2. Elevating screw (first clean with Craftsman Gum and Pitch Remover).



trouble shooting

WARNING: FOR YOUR OWN SAFETY, TURN SWITCH "OFF" AND REMOVE PLUG FROM POWER SOURCE OUTLET BEFORE TROUBLE SHOOTING YOUR JOINTER-PLANER.

TROUBLE SHOOTING CHART

TROUBLE	PROBABLE CAUSE	REMEDY
Motor will not run.	<ol style="list-style-type: none"> 1. Defective On-Off switch. Defective switch cord. Defective switch box receptacle. 2. Motor protector open, (only if your motor is equipped with an overload protector). Other cause 	<ol style="list-style-type: none"> 1. Replace defective parts before using machine again. 2. Consult Sears Service. Any attempt to repair this motor may create a HAZARD unless repair is done by a qualified service technician. Repair service is available at your nearest Sears Store.
Wood strikes outfeed table after passing over cutter head.	Blades improperly adjusted below surface of outfeed table.	Re-adjust blades, see Maintenance section.
Ripples on planed surface.	<ol style="list-style-type: none"> 1. One blade set higher than other. 2. Feeding wood too fast. 	<ol style="list-style-type: none"> 1. Re-adjust blades, see Maintenance section. 2. Feed wood slower.
Planed surface not straight.	Infeed table out of adjustment.	Re-adjust infeed table, see Getting To Know your Jointer Planer section.
Excessive gouging at end of cut.	Blades set too high above outfeed table.	Reset blades, see Maintenance section.
90° and 45° cuts inaccurate.	<ol style="list-style-type: none"> 1. Fence stops not adjusted properly. 2. Fence slide bracket not even with table. 	<ol style="list-style-type: none"> 1. Re-adjust fence stops, see Getting To Know your Jointer Planer section. 2. Re-adjust slide bracket, see Getting To Know your Jointer Planer section.
Infeed table loose.	<ol style="list-style-type: none"> 1. Dovetail spacer requires adjustment. 2. Female dovetail loose from table. 	<ol style="list-style-type: none"> 1. Tighten screw, key 10, see fig. 2, Parts List. 2. Tighten screws, key 18, see fig. 2, Parts List.
Cutter guard does not function properly.	<ol style="list-style-type: none"> 1. Return spring broken, or spring has been weakened. 2. Improper assembly of spring or guard mounting. 	<ol style="list-style-type: none"> 1. Replace spring immediately. See Maintenance section. 2. See Maintenance section.

RECOMMENDED ACCESSORIES

ITEM	CAT. NO.
Steel Legs	9-22245
Floor Stand	9-22216
Cutter Blades	9-2293
Power Tool Know-how Handbooks	
Radial Saw	9-2917
Table Saw	9-2918
Knife Setting Gauge	9-2647
Chip Collector	9-29977

The above recommended accessories are current and were available at the time this manual was printed.

repair parts

CRAFTSMAN 6-1/8 INCH JOINTER-PLANER MODEL No. 113.206801 AND 113.206931

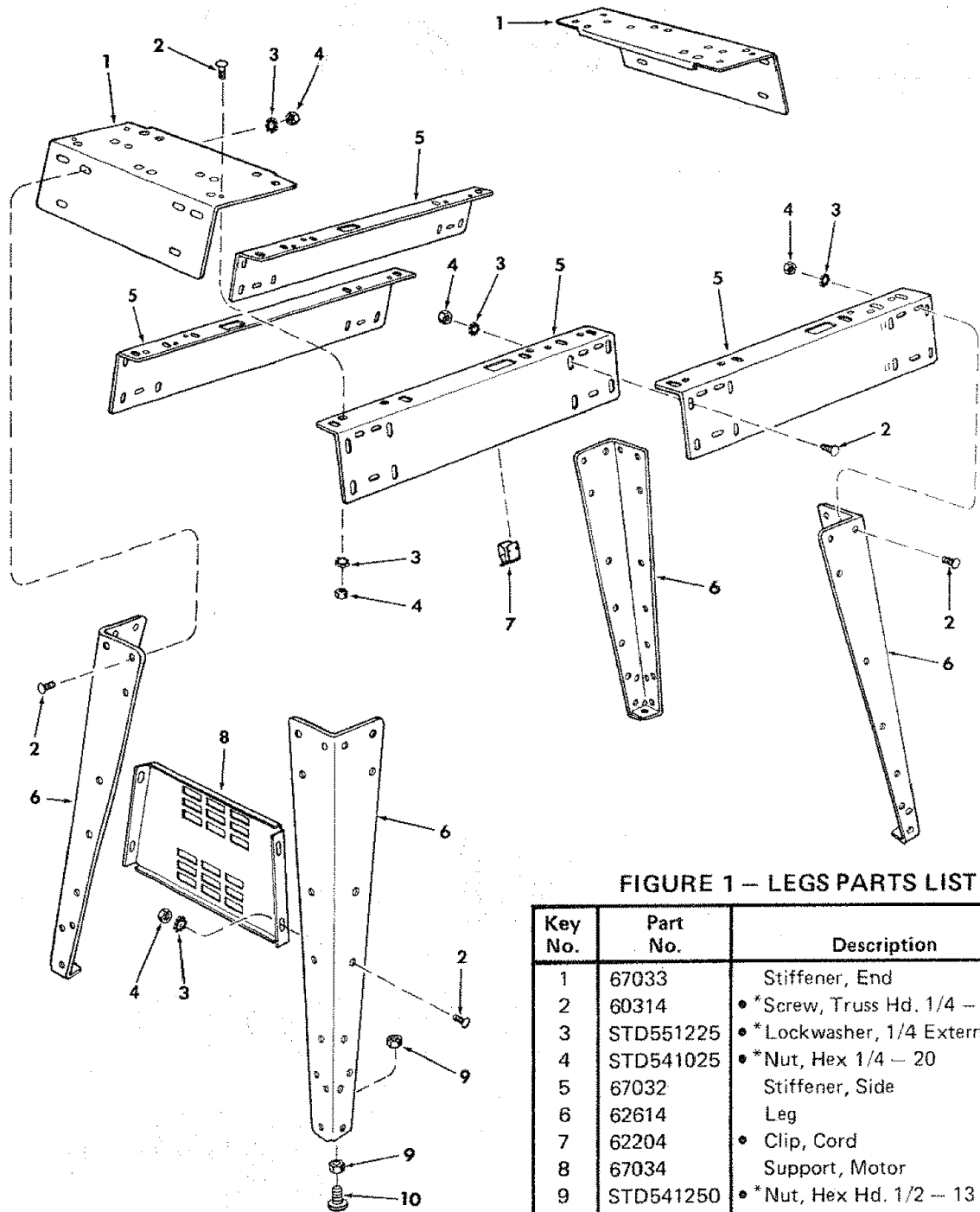


FIGURE 1

FIGURE 1 – LEGS PARTS LIST

Key No.	Part No.	Description
1	67033	Stiffener, End
2	60314	• *Screw, Truss Hd. 1/4 – 20 x 5/8
3	STD551225	• *Lockwasher, 1/4 External
4	STD541025	• *Nut, Hex 1/4 – 20
5	67032	Stiffener, Side
6	62614	Leg
7	62204	• Clip, Cord
8	67034	Support, Motor
9	STD541250	• *Nut, Hex Hd. 1/2 – 13
10	803835	• Foot, Leveling
–	67035	Bag of Loose Parts (Not Illus.)
HARDWARE FOR MOUNTING TOOL AND MOTOR		
–	STD532507	• *Bolt, Carriage 5/16 – 18 x 3/4
–	STD551231	• *Lockwasher, 5/16 External
–	STD551031	• *Washer, 11/32 x 11/16 x 1/16
–	STD523120	• *Screw, Hex Hd. 5/16 – 18 x 2
–	STD541231	• *Nut, Hex 5/16 – 18

• Supplied in Loose Parts Bag 67035

*Standard Hardware Item – May be Purchased Locally.

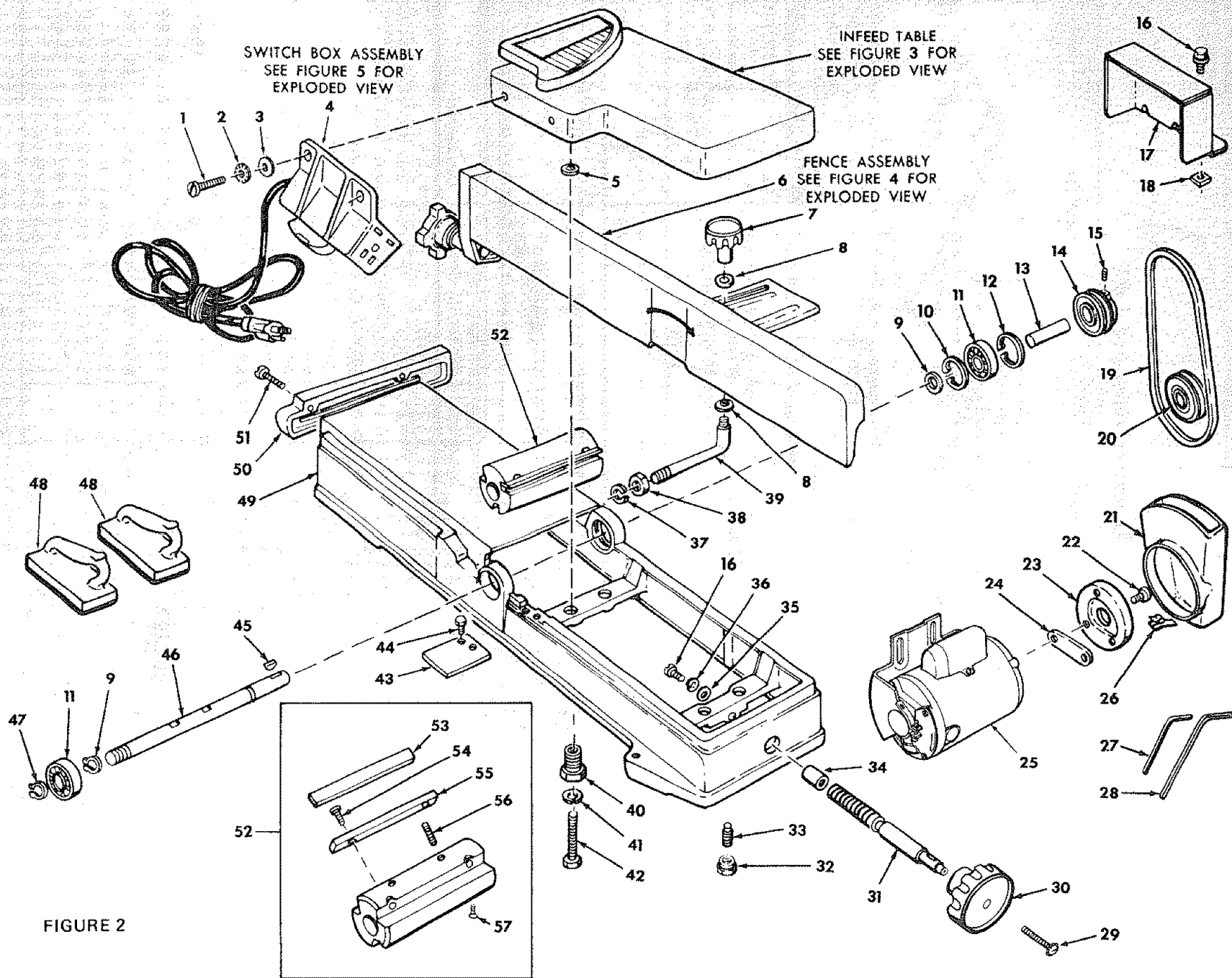


FIGURE 2

CRAFTSMAN 6-1/8 INCH JOINTER-PLANER MODEL No. 113.206801 AND 113.206931

FIGURE 2 PARTS LIST

Key No.	Part No.	Description
1	STD512505	*Screw, Pan Hd. 1/4-20 x 1/2
2	STD551225	*Lockwasher, External 1/4
3	STD551012	*Washer, 17/64 x 1/2 x 1/32
4	60381	Outlet, On/Off Power (See Fig. 5)
5	18437	Washers
6	21013	Fence Assembly, Complete (See Fig. 3)
7	67020	Knob, 1-1/2
8	21622	Washer, Sliding Guard
9	STD582062	*Ring, Retaining 5/8
10	18441	Ring, Retaining
11	3509	Bearing Ball
12	38879	Ring, Bowed Retaining
13	60345	Spacer
14	62023	Pulley with Set Screw, 2" Dia. x 1/2" V-Groove, 5/8" Bore, Keyed
15	STD503103	*Screw, Set, 5/16-18 x 5/16, Soc Hd.
16	STD522505	*Screw, Hex. Hd. 1/4-20 x 1/2
17	67008	Belt Guard, Pulley
18	STD541025	*Nut, Hex 1/4-20
19	STD304520	Belt, "V" 1/2 x 52
20	30646	†Pulley with Set Screw, 2-1/2 Dia. x 1/2" V-Groove, 5/8" Bore, Keyed
21	60252	Guard-Belt, Motor
22	STD601105	*Screw, Ty 23 Pan 10-32 x 1/2"
23	60253	Support-Belt Guard
24	60254	Bracket-Support
25	67031	†Motor, 1216 (Supplied With Model 113.206931 Only)
26	60255	Clip "S"
27	37887	*Wrench Hex., 1/8
28	60096	*Wrench Hex., 5/32
29	455872	Screw Mach., 1/4-20 x 1-1/4 Truss Hd. w/ Lockwasher

Key No.	Part No.	Description
30	63410	Knob, 3-1/4
31	67016	Shaft, Elevating
32	STD541031	*Nut, Hex., 5/16-18
33	102832	Screw, Set, 5/16-18 x 1 Full Dog Pt., Slotted Hd.
34	67017	Sleeve
35	STD551025	*Washer, Plain, 17/64 I.D.
36	STD551125	*Washer, Split Lock, 1/4
37	STD551150	*Washer, Split Lock, 1/2
38	120238	*Nut Hex., 1/2-13
39	21638	Rod, Sliding Guard
40	18516	Stud, Leveling
41	STD551131	Lockwasher, 5/16
42	STD523117	Screw, Hex. Hd., 5/16-18 x 1-3/4
43	21733	Support - Guard Pin
44	60078	*Screw, Mach., 5/16-18 x 1/2", Hex. Hd.
45	STD580025	Key, Woodruff, No. 9
46	21636	Arbor
47	37158	Ring, Retaining Bowed 5/8
48	67019	Push Block/Hold Down
49	67021	Base
50	21237	Bracket, Fence Slide
51	132275	Screw, Mach., 1/4-20 x 1, Fil. Hd. Slotted
52	21450	Head Assembly, Complete Cutter
53	18112	†Blade, Cutter
54	60116	*Screw, Cap. No. 10-32 x 3/4 Soc. Hd.
55	21632	Wedge, Cutter Blade
56	60117	*Screw, Set, 5/16-24 x 7/8 Soc. Hd.
57	60118	*Screw, Mach., No. 10-32 x 1/2, Flat. Soc Hd.
-	67092	Bag of Loose Parts (not illus.)
-	67037	Owners Manual (not illus.)

*Standard Hardware Item — May Be Purchased Locally.

†Stock Item — May be secured through the Hardware Department of most Sears or Simpsons-Sears Retail Stores or Catalog Order Houses.

repair parts

CRAFTSMAN 6-1/8 INCH JOINTER-PLANER MODEL No. 113.206801 AND 113.206931

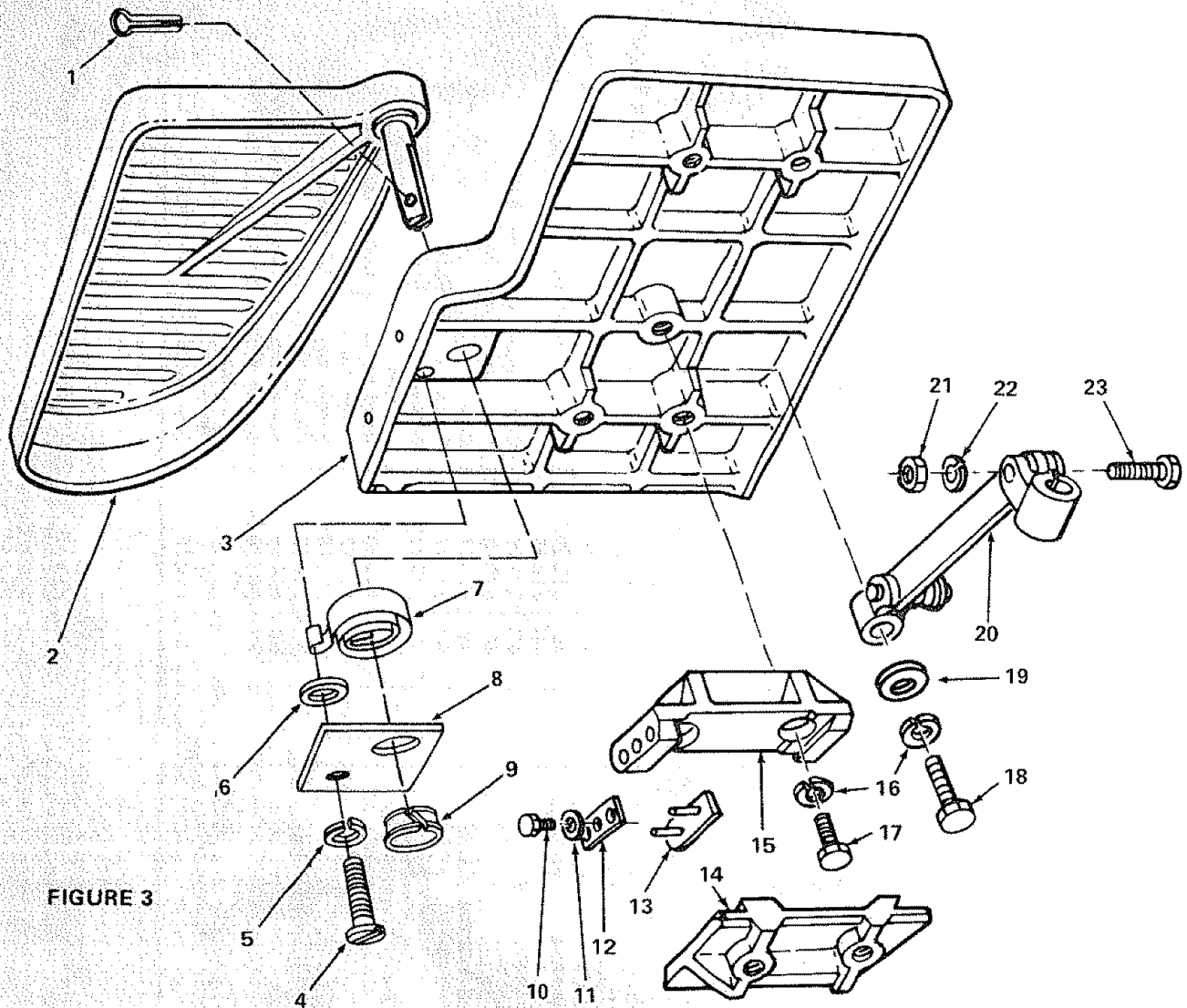


FIGURE 3

FIGURE 3 INFEED TABLE PARTS LIST

Key No.	Part No.	Description
1	STD561210	Pin, Cotter, 1/8 x 1
2	67015	Guard
3	67014	Table (with Name Plate)
4	STD511107	Screw Pan Hd. 10-32 x 7/8
5	STD551210	Lockwasher No. 10
6	STD551010	Washer, No. 10
7	38779	Spring, Guard
8	67011	Plate Support
9	67012	Bushing
10	STD522505	*Screw, Cap, 1/4-20 x 1/2, Hex. Hd.
11	STD551025	*Washer, Plain, 17/64
12	21812	Plate, Tension

Key No.	Part No.	Description
13	21422	Spacer, Dovetail
14	21219	Dovetail, Male
15	21218	Dovetail, Female
16	STD551131	*Washer, Split Lock, 5/16
17	21635	Screw, Spl.
18	STD523112	*Screw, Cap, 5/16-18 x 1-1/4 Hex. Hd.
19	STD551031	Washer, 5/16
20	21204	Linkage Assembly
21	STD541025	*Nut, Hex., 1/4-20
22	STD551125	*Washer, Split Lock, 1/4
23	STD522510	*Screw, Cap, 1/4-20 x 1, Hex. Hd.

*Standard Hardware items — May Be Purchased Locally.

CRAFTSMAN 6-1/8 INCH JOINTER-PLANER MODEL No. 113.206801 AND 113.206931

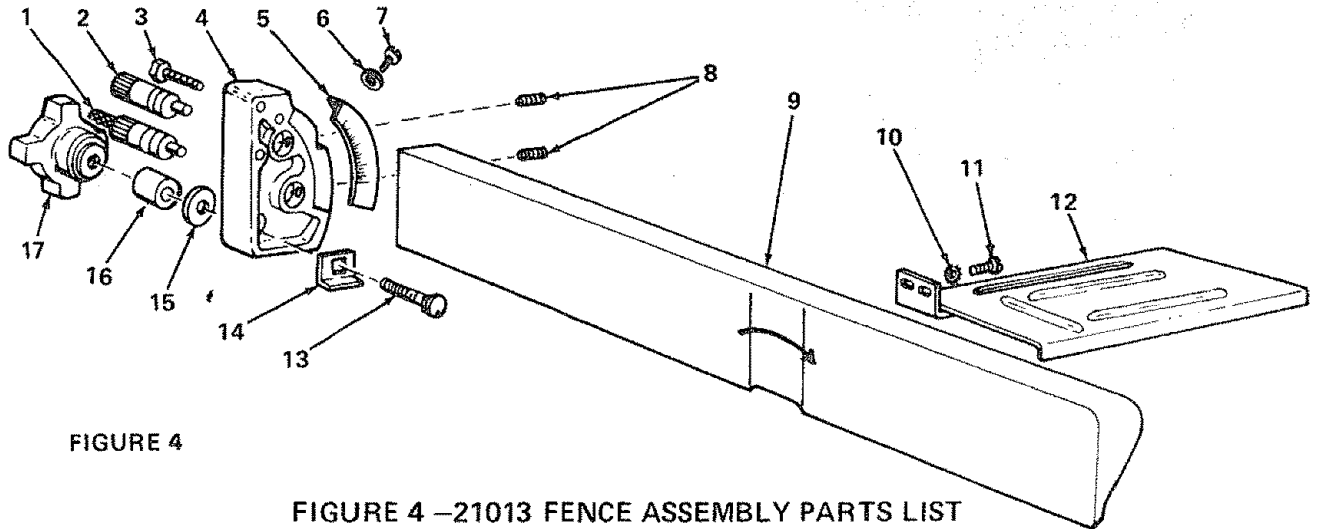


FIGURE 4

FIGURE 4 - 21013 FENCE ASSEMBLY PARTS LIST

Key No.	Part No.	Description	Key No.	Part No.	Description
—	21013	Fence Assembly	9	21229	Body, Fence Incl. Key No's. 10 & 11
1	21440	Plunger Assembly	10	STD551210	*Washer, Lock, Ext. Tooth
2	21430	Pin Assembly, Stop	11	STD511102	*Screw, Mach., No. 10-32 x 1/4, Pan Hd., Slotted
3	STD 522512	*Screw, Hex Hd., 1/4-20 x 1-1/4,	12	67009	Guard, Cutter
4	21232	Plate, Fence End	13	STD 533725	*Bolt, Carriage, 3/8-16 x 2-1/2 Round Head
5	21736	Scale, Fence Tilt	14	21738	Retainer, Bolt
6	STD551010	*Washer, Plain, 13/64	15	STD551037	Washer 35/64 I.D.
7	STD510802	*Screw, Mach., No. 8-32 x 1/4, Bind Hd., Slotted	16	47624	Spacer
8	102817	Screw, Set, 1/4-20 x 1/2", Full Dog Pt., Slotted	17	62331	Knob Assembly, Lock

FIGURE 5 - ON/OFF POWER OUTLET 60381

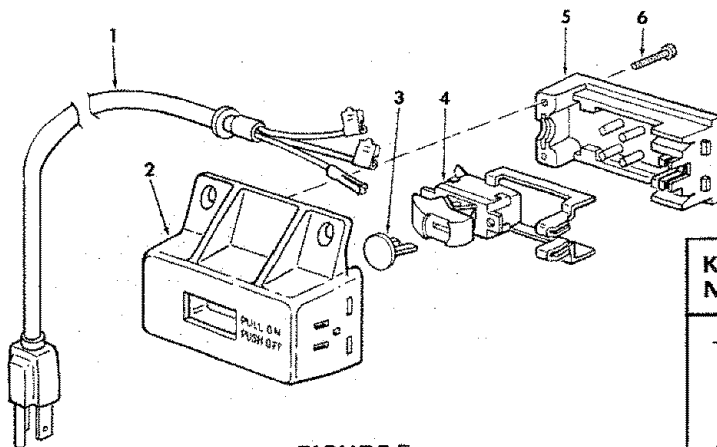


FIGURE 5

Key No.	Part No.	Description
—	60381	*On/Off Power Outlet Complete
1	60375	Cord, Molded
2	60380	Housing, Switch
3	60256	Key, Switch
4	60374	Switch, Locking
5	60377	Cover, Switch
6	448007	Screw, Pan Hd. No. 6 x 3/4

* Does Not Include Key No. 3
Order Separately If required.

Sears

*owners
manual*

SERVICE

**MODEL NO.
113.206801**

JOINTER/PLANER ONLY

113.206931

JOINTER/PLANER WITH
LEGS AND MOTOR

HOW TO ORDER REPAIR PARTS

6-1/8 INCH JOINTER-PLANER

Now that you have purchased your jointer-planer, should a need ever exist for repair parts or service, simply contact any Sears Service Center and most Sears, Roebuck and Co. stores. Be sure to provide all pertinent facts when you call or visit.

The model number of your 6-1/8 inch jointer-planer will be found on a plate attached to your base.

WHEN ORDERING REPAIR PARTS, ALWAYS GIVE THE FOLLOWING INFORMATION:

PART NUMBER	PART DESCRIPTION
MODEL NUMBER	NAME OF ITEM
113.206801	6-1/8 INCH JOINTER-PLANER
113.206931	

All parts listed may be ordered from any Sears Service Center and most Sears stores. If the parts you need are not stocked locally, your order will be electronically transmitted to a Sears Repair Parts Distribution Center for handling.

Sold by SEARS, ROEBUCK AND CO., Chicago, IL. 60684 U.S.A.

Free Manuals Download Website

<http://myh66.com>

<http://usermanuals.us>

<http://www.somanuals.com>

<http://www.4manuals.cc>

<http://www.manual-lib.com>

<http://www.404manual.com>

<http://www.luxmanual.com>

<http://aubethermostatmanual.com>

Golf course search by state

<http://golfingnear.com>

Email search by domain

<http://emailbydomain.com>

Auto manuals search

<http://auto.somanuals.com>

TV manuals search

<http://tv.somanuals.com>