



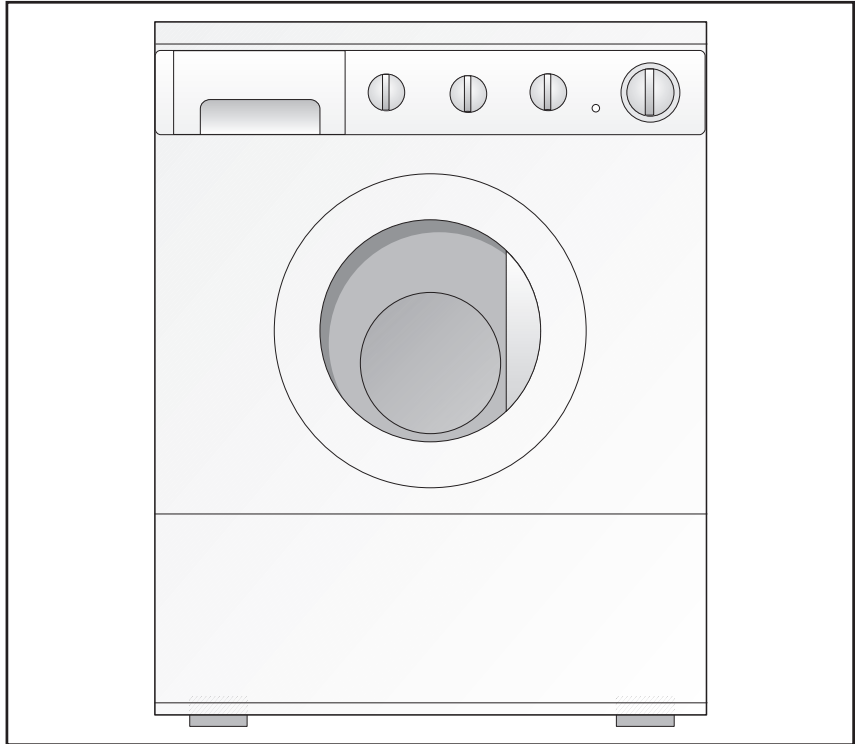
The Service Side of Sears.™

REPAIR PARTS LIST

417.42042100

**To Call Toll Free
For Parts:
1-800-366-PART
(1-800-366-7278)**

**For Service:
1-800-4-MY-HOME
(1-800-469-4663)**



Kenmore Frontload Washer

When placing a part order, give the complete model number shown on the serial plate located on the inside of the washer door.

All repair parts listed are available for immediate purchase or special order when you visit your nearest Sears Service Center. To order parts by phone, call the toll free parts number listed to the left.

When requesting service or ordering parts, always provide the following information:

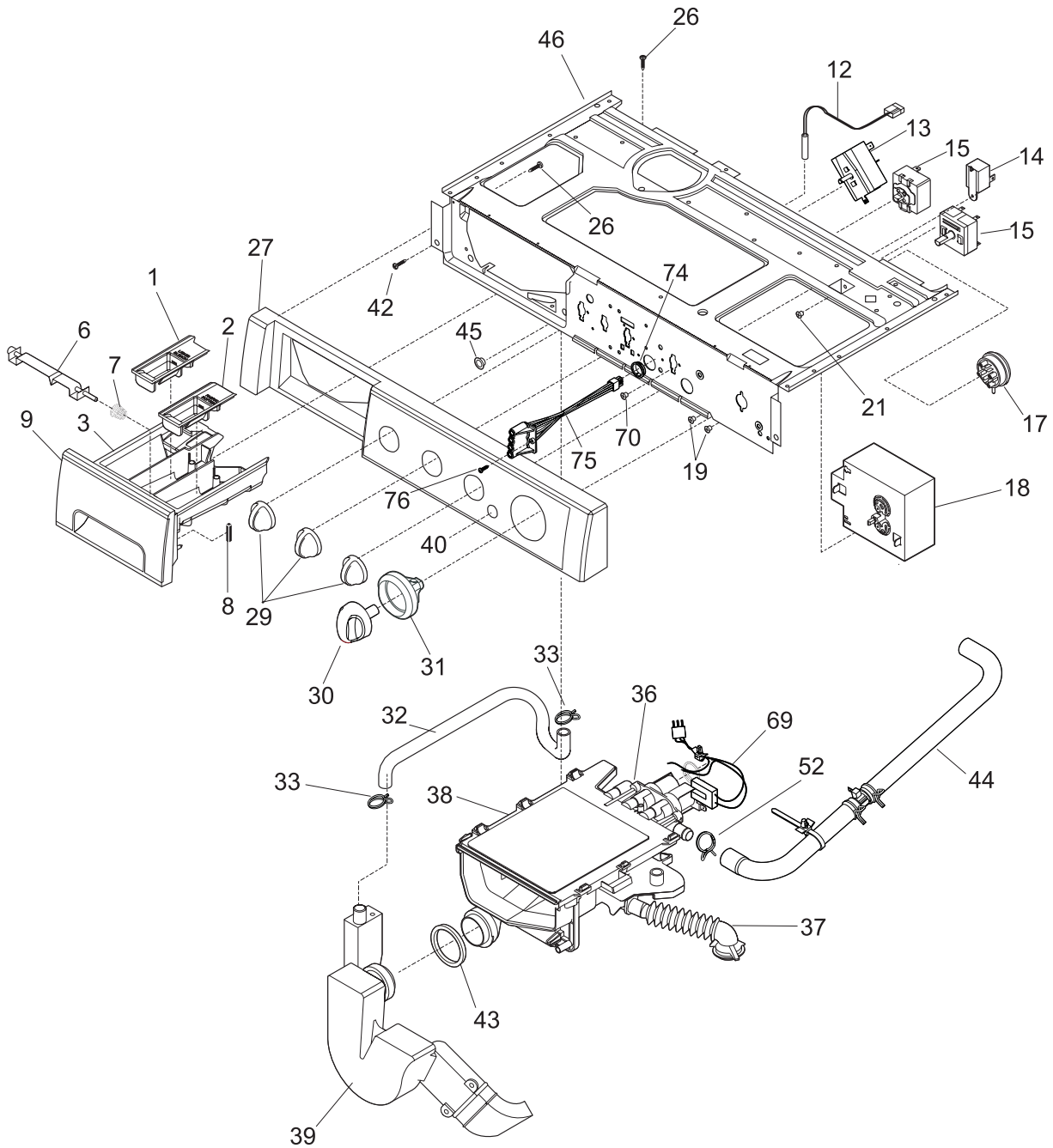
- **Product Type**
- **Part Number**
- **Model Number**
- **Part Description**

Sears, Roebuck and Co., Hoffman Estates, IL 60179 U.S.A.

FACTORY # 134107100

PUBLICATION # 5995358776

CAUTION: Use the Kenmore part number on all orders, not the illustration number.



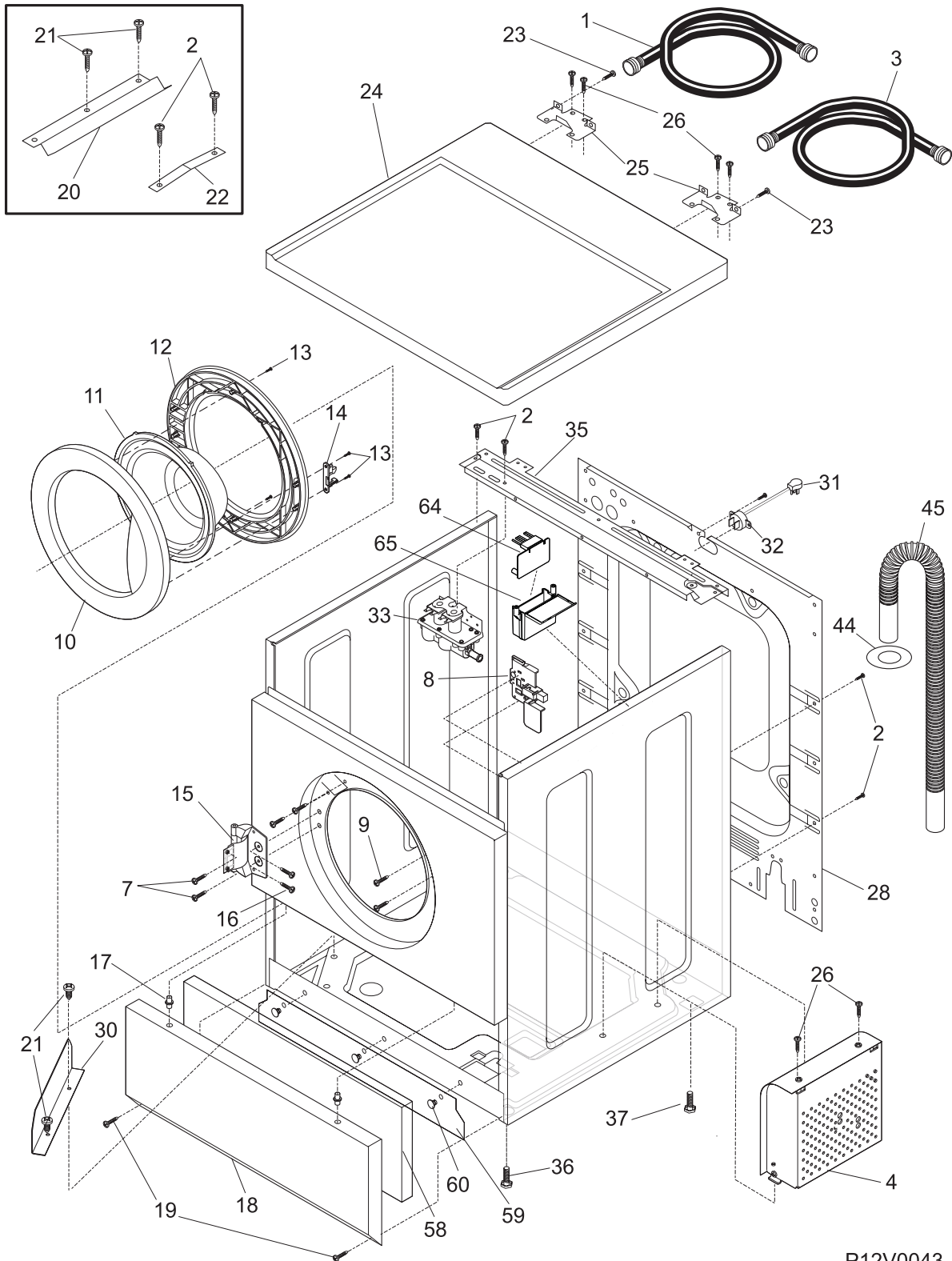
P12C0134

CAUTION: Use the Kenmore part number on all orders, not the illustration number.

POS. NO	PART NO	DESCRIPTION
1	131272100	Cover-bleach
2	131272000	Cover-softener
3	131271900	Drawer-dispenser
6	131374500	Latch-handle
7	131427500	Spring
8	131373800	Magnet
9	131691250	Asmy-disp drwr handle/trim
12	131505901	Switch-reed
13	131891700	Switch-temp 7pos-ATC frt load
14	131724500	Buzzer
15	131243200	Switch-extra rinse/speed
17	131998300	Switch-pressure
18	134104800	Timer-R-TAW-ECO cycle
19	131243800	Screw-brkt top, pan hd locking, 8-32CA x 0.375, cr/sq drive
21	131243700	Screw, pan head, 8-18AB x 0.375, cr/sq drive
26	131823400	Scr 8-18 x 2.000
27	131887291	Asmy-cons frame/trim
29	131689400	Knob, rotary-wht/gray Alli wshr
30	131853400	Knob-timer
31	131853800	Pointer-timer
32	131786100	Hose-dispenser
33	131306215	Clamp
36	131974700	Asmy-disp valve/seal
37	131271600	Hose-tub
38	131803700	Asmy-detergent dispenser
39	131863300	Siphon
40	134040800	Switch-round-on/off
42	131168200	Screw, 8-18 x 0.31
43	131749200	Gasket-seal
44	131899800	Asmy-thermistor/hose/clamp
45	5303321107	Bushing
46	131810012	Panel-cont mtg-wing bend
52	131306242	Clamp
69	131908000	Harness-disp valve-HAW W/ATC
70	5303015671	Screw, 8-18 x .375
74	131933200	Bushing-snap
75	131949000	Asmy-lamp/brkt
76	131974500	Scr 6-20 x .75 AB #8 comb pnhd
*	134114400	Harness
*	131931201	Vibration dampener
*	131307900	Clamp-siphon to bellows

= Functional Parts
* = Non-Illustrated Parts

CAUTION: Use the Kenmore part number on all orders, not the illustration number.



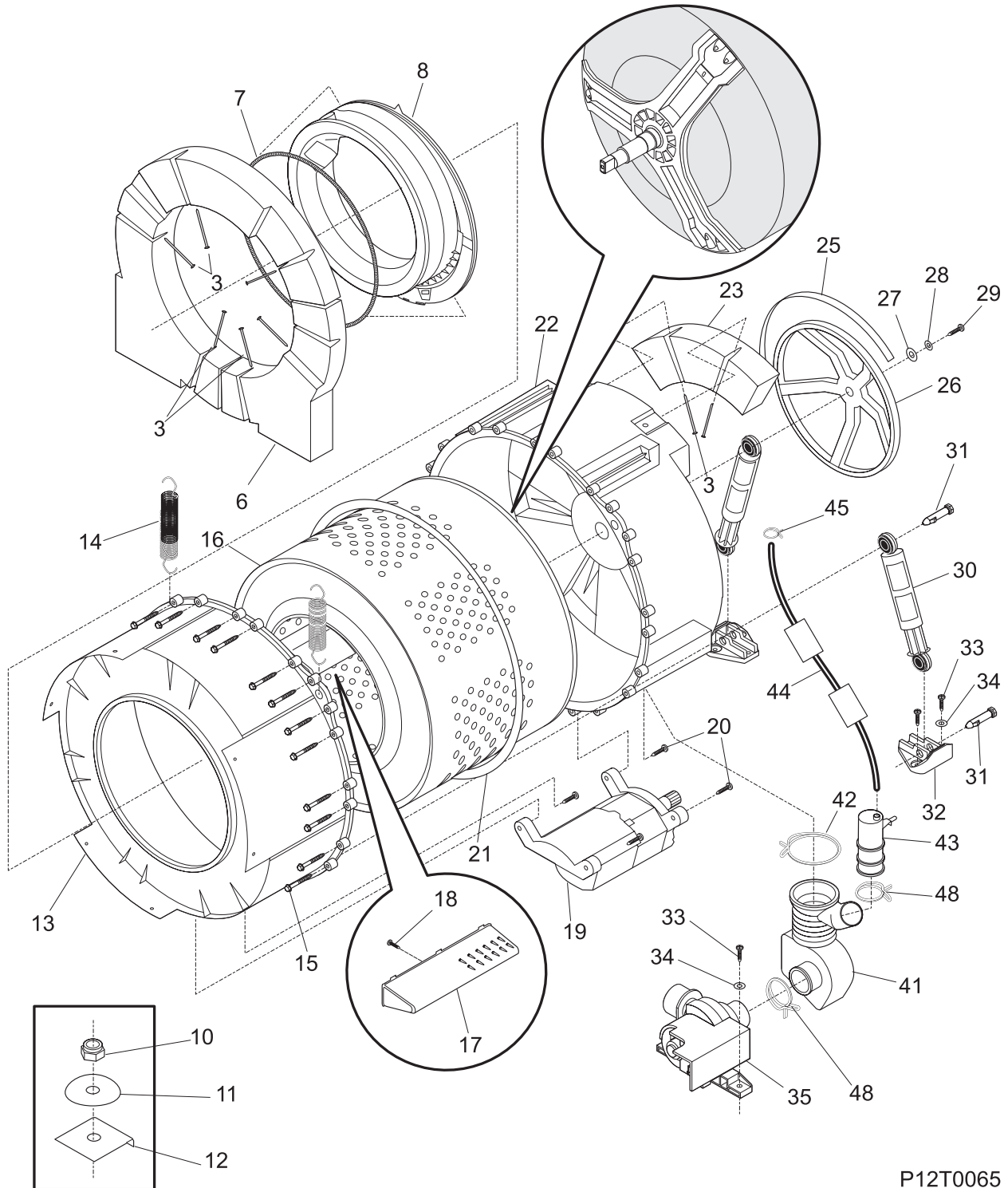
P12V0043

CAUTION: Use the Kenmore part number on all orders, not the illustration number.

POS. NO	PART NO	DESCRIPTION
1	131279602	Asmy-Inlet Hose Cold
2	131168200	Screw, 8-18 x 0.31
3	131279603	Asmy-Inlet Hose-Hot
4	131770700	Speed cont-Mallory/Sole motor
7	131205300	Screw, 10-16 x .75
8	131763200	Door lock/switch USCC
9	131303300	Screw-lock, ph ab, 10-16 x .50
10	131278700	Door-outer
11	131278800	Glass-door
12	131278900	Door-inner
13	131302901	Screw, 10-16 x .75
14	131763300	Catch, door/lock sw, intr door frame
15	131269300	Hinge-door
16	131696300	Screw 10-16 x .312 quad pn hd
17	131346400	Pin-locating
18	131279300	Panel-service, white
19	131358400	Screw-panel, hwhd ab, 8-18 x 1.125
20	131460900	Bracket-top front
21	131243700	Screw, pan head, 8-18AB x 0.375, cr/sq drive
22	131279500	Retainer-spring
23	131243800	Screw-brkt top, pan hd locking, 8-32CA x 0.375, cr/sq drive
24	134086842	Panel-top frt cons All-wht
25	131668200	Bracket-top pnl
26	131311900	Screw, quadrex ph ab, 8-18 x 1/2
28	131978500	Panel-back
30	131859600	Shield-overflow
31	134100800	Cord-service
32	5303209428	Bushing-cord
33 #	5303207418	Valve-water
35	131732901	Reinforcement brkt
36	131003900	Leg, pad/nut
37	131841601	Asmy-foot bolt/pad/nut
44	131707800	Ring-drain hose
45	134049200	Hose-drain
58	131800402	Noise absorber
59	134045000	Noise Barrier
60	131362400	Fastener
64	131944900	Automatic temp cont board
65	131894600	Housing-ATC board
*	131453001	Bushing-top panel
*	131883101	Base-mounting-SCU

= Functional Parts
* = Non-Illustrated Parts

CAUTION: Use the Kenmore part number on all orders, not the illustration number.



P12T0065

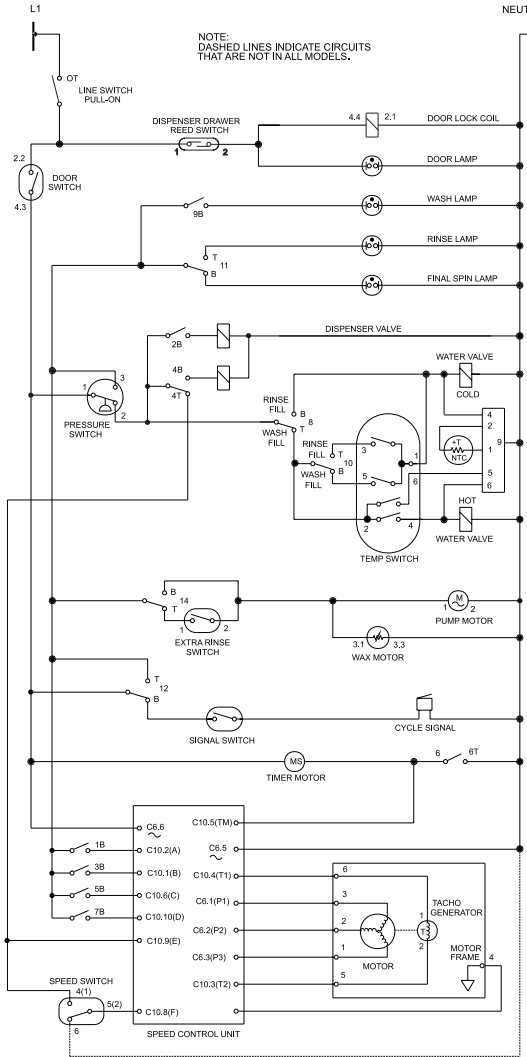
CAUTION: Use the Kenmore part number on all orders, not the illustration number.

POS. NO	PART NO	DESCRIPTION
3	131793302	Bolt-carriage 1/4-20 x 4.0
6	131975300	One piece counterweight
7	131277300	Spring-boot
8	131277100	Bellows
10	131304700	Nut
11	131276900	Washer-spring
12	131793500	Plate-weight
13	131618600	Shell-front tub
14	131663600	Spring/sleeve
15	131303900	Screw, hxwhd a, 1/4-10 x 2.165
16	131618500	Tub-spin
17	131274600	Vane
18	131302800	Screw-vane, quad ph ab, 10-16 x .375
19	131770600	Motor-Sole
20	131303500	Screw-motor, hwhd ab, 12-14 x 1.50
21	131275900	Seal-shell
22	131462800	Shell-rear/bearing
23	131709300	Weight-upper back
25	134051000	Belt-6 rib
26	131883400	Pulley-drum-reinforced
27	131304400	Washer .41 x 1.500 x .120
28	131304500	Washer-lock, 3/8
29	131303700	Screw-pulley, m10 x .92
30	131268200	Level-shock
31	131268300	Pin-level
32	131268100	Bracket-shock
33	131303100	Screw, hwhd ab, 10-16 x .625
34	131304300	Washer .21 x .71 x .06
35	134051100	Pump-Askoll
41	131784700	Hose-coin trap-tub to pump
42	131333101	Clamp
43	131277500	Chamber-air
44	131277600	Tube-pressure
45	131306202	Clamp
48	131306234	Clamp-pump
*	131560000	Sleeve-lower spring, tub
*	131592200	Sleeve-upper spring, tub
*	134105000	Wiring diagram
*	131922800	Use & Care Guide Sears TAW E/S
*	134107000	Operating instr SRH1RAGN
*	131996400	Installation Instr
*	134105100	Technical data sheet
*	5995358776	Parts List

= Functional Parts
* = Non-Illustrated Parts

CAUTION: Use the Kenmore part number on all orders, not the illustration number.

STEP NO.	CIRCUIT	DELAYED START				REGULAR CYCLE				OFF		DELICATE & HAND WASH CYCLE		OFF		DELAYED START		ECO-WASH		OFF	
		6 HR	8 HR	4 HR	2 HR	1 HR	HEAVY WASH	NORMAL WASH	QUICK WASH	RINSES & SPINS	FINAL SPIN	FINAL SPIN	FINAL SPIN	6 HR	4 HR	2 HR	WASH	FINAL SPIN	FINAL SPIN	FINAL SPIN	
0/0	H																				
0	1																				
2	22																				
1	23																				
2	5																				
3	23																				
4	5																				
5	23																				
6	11																				
7	23																				
8	14																				
9	23																				
10	17																				
11	23																				
12	20																				
13	5																				
14	19																				

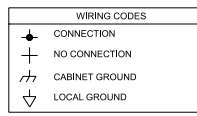
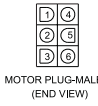


NOTE: DASHED LINES INDICATE CIRCUITS THAT ARE NOT IN ALL MODELS.

ELECTRICAL COMPONENT	RESISTANCE Ω @ 77°F (25 @ 77°C)	
WATER VALVE SOLENOIDS	880 ±10%	
DOOR LOCK SOLENOID	380 ±10%	
TIMER MOTOR	2425 ±6%	
PUMP MOTOR	15 ±7%	
DISPENSER VALVE SOLENOIDS	1100 ±7%	
MOTOR	M1 TO M2	2.6 ±7%
	M2 TO M3	2.6 ±7%
	M1 TO M3	2.6 ±7%
	M5 TO M6	184 ±7%

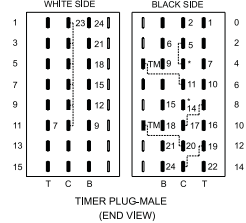
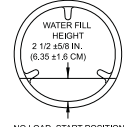
CIRCUIT	CIRCUIT			
	1-3	1-5	2-6	2-4
WASH/ RINSE				
* H/C			X	X
* W/C	X	X	X	X
* C/C	X	X	X	X
* W/W	X	X	X	X
REG C/C	X	X	X	X
REG W/C	X	X	X	X
REG R/W	X	X	X	X

H=HOT W=WARM C=COLD
REG=REGULATED X=CLOSED
* NOT ON ALL MODELS



CIRCUIT	5-6	4(1)-5(2)
* SLOW	X	
NORMAL		X
FAST		

X = CONTACTS CLOSED
* NOT ON ALL MODELS



WARNING TO REDUCE THE RISK OF ELECTRICAL SHOCK DISCONNECT THIS APPLIANCE FROM THE POWER SUPPLY BEFORE ATTEMPTING ANY USER MAINTENANCE. TURNING THE CONTROLS TO THE OFF POSITION DOES NOT DISCONNECT THIS APPLIANCE FROM THE POWER SUPPLY.

WIRING DIAGRAM
P/N 134105000

Get it fixed, at your home or ours!

For repair of major brand appliances **in your own home...**
no matter who made it, no matter who sold it!

1-800-4-MY-HOMESM Anytime, day or night
(1-800-469-4663)

www.sears.com

To bring in products such as vacuums, lawn equipment and electronics
for repair, call for the location of your nearest **Sears Parts & Repair Center.**

1-800-488-1222 Anytime, day or night

www.sears.com

For the replacement parts, accessories and owner's manuals
that you need to do-it-yourself, call **Sears PartsDirect**SM!

1-800-366-PART 6 a.m. – 11 p.m. CST,
(1-800-366-7278) 7 days a week

www.sears.com/partsdirect

To purchase or inquire about a Sears Service Agreement:

1-800-827-6655

7 a.m. – 5 p.m. CST, Mon. – Sat.

Para pedir servicio de reparación a domicilio,
y para ordenar piezas con entrega a domicilio:

1-888-SU-HOGARSM
(1-888-784-6427)

Au Canada pour service en français:

1-877-LE-FOYERSM
(1-877-533-6937)



© Sears, Roebuck and Co.

® Registered Trademark / ™ Trademark of Sears, Roebuck and Co.

© Marca Registrada / ™ Marca de Fábrica de Sears, Roebuck and Co.

Sears, Roebuck and Co., Hoffman Estates, IL 60179 U.S.A.
FACTORY # 134107100

Publication No. 5995358776

Free Manuals Download Website

<http://myh66.com>

<http://usermanuals.us>

<http://www.somanuals.com>

<http://www.4manuals.cc>

<http://www.manual-lib.com>

<http://www.404manual.com>

<http://www.luxmanual.com>

<http://aubethermostatmanual.com>

Golf course search by state

<http://golfingnear.com>

Email search by domain

<http://emailbydomain.com>

Auto manuals search

<http://auto.somanuals.com>

TV manuals search

<http://tv.somanuals.com>