

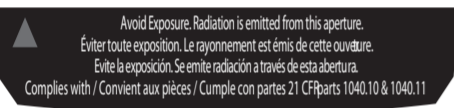


REGISTER YOUR TOOLS
<http://register.ryobitools.com>
 1-800-525-2579

OPERATOR'S MANUAL
3-IN-1 INFRARED THERMOMETER,
SONIC DISTANCE MEASURER,
LASER POINTER
E49IR01

WARNING!
 Read and understand all instructions. Failure to follow all instructions listed below may result in electric shock, fire and/or serious injury.

WARNING:
 Use of controls or adjustments or performance other than those specified herein may result in hazardous radiation exposure.



- **Avoid direct eye exposure when using the laser and do not project the laser beam directly into the eyes of others.** Serious eye injury could result.
- **Do not remove or deface any product labels.** Removing product labels increases the risk of exposure to laser radiation.
- **Do not place the instrument in a position that may cause anyone to stare into the laser beam intentionally or unintentionally.** Serious eye injury could result.
- **Do not operate the laser around children or allow children to operate the tool.** Serious eye injury could result.
- **Do not use for medical evaluations or to measure body temperature.** This product is meant for household use only.
- **Do not use this product as a precision thermometer.**
- **Do not operate the instrument in combustible areas such as in the presence of flammable liquids, gasses, or dust.**
- **Always ensure the laser beam is aimed at a surface without reflective properties.** Shiny reflective materials are not suitable for laser use.
- **The laser shall be used and maintained in accordance with the manufacturer's instructions.**
- **Never aim the beam at a person or object other than the target surface.**
- **This product should not be used without the battery cap installed.**
- **Handle the instrument with care.** Treat it as you would any other optical device such as a camera or binoculars.
- **Avoid exposing the instrument to shock, continuous vibration, or extreme hot or cold temperatures.** Damage to the product and/or serious injury to the user could result.

SPECIFICATIONS

Laser Certifications	<1mW, 630-660 nm
Display Auto Off	3 minutes
Temperature Range	-22°F to 518° F
INFRARED THERMOMETER SPECIFICATIONS:	
Accuracy	-22° F to 30° F ± 5° F 32° F to 518° F ± 4° F
Distance to Spot Ratio	6 : 1
Operating Temperature.....	32° F to 104° F
Temperature Update:.....	5 seconds

DISTANCE MEASURER SPECIFICATIONS:

Measurement Range	1 ft to 30 ft
Accuracy of Distance	±0.5% ± 1 digit

OPERATION

The 3-in-1 Infrared Thermometer, Sonic Distance Measure, Laser Point takes non-contact temperature measurements and distance measurements for electricians, facility maintenance personnel, HVAC applications, automotive applications, and more.

INSTALLING THE BATTERY

See Figure 1.

A 9 volt battery (included) must be installed before using the unit.

- Slide the battery cover off.
- Attach the battery terminals to their connectors on the unit.
- Close the battery compartment by sliding the cover into place until the snaps closed.

TAKING TEMPERATURE READINGS

See Figures 2 - 4.

To obtain the most accurate readings, follow these instructions:

- Temperature readings can only be measured on a target surface.
- Surfaces covered by frost, dirt, or other material should be cleaned before taking reading.
- For highly reflective surfaces, such as mirrors or windows, place a piece of paper or tape on area where reading will be taken.

To take a temperature reading:

- Press **Power button (E)** to turn on unit.
- Press **Mode button (F)** to set unit to **Infrared Mode**, shown as **IR (M)** on LCD display (I).
- Point the unit toward the area you wish to read and press the **Measure button (D)**. See Figure 4 to determine distance to spot ratio for accuracy of reading.
NOTE: The **Laser pointer (A)** will come on whenever **Measure button (D)** is pressed. The **Laser pointer (A)** indicates the center of the circular area being scanned for reference only.
- The unit will take reading (L).
- The surface temperature readings (L) are shown in LCD display.
- When the **Measure button (D)** is released, the laser will turn off. The **HOLD (O)** icon will stay on until you turn unit off or another reading is taken.
- To switch between Celsius to Fahrenheit units, press the **°C/F° (units) button (H)**.
- The unit will turn off in 60 seconds if there is no operation or no key is pressed.

TAKING DISTANCE MEASUREMENTS

See Figures 2 - 3.

To obtain the most accurate readings, follow these instructions: The LCD display shows the measurement for distance (L) from the device to the target surface, with icons for calculations length (—), area (□) and volume (▯) (J).

- Press **Power button (E)** to turn on unit.
- Press **Mode button (F)** to set unit to **Sonic mode (K)**, shown as **SO. CU. ftm** on LCD display.
- Measurements are calculated from the rear of the tool.
- To switch back and forth from ft/in. to cm/m, press the **°C/F° (Units) button (H)**.

Length (—) Measurement:

- Press the **Measure button (D)** to measure length (—) (J).
- After two seconds the unit will display the result of the length measurement (F).

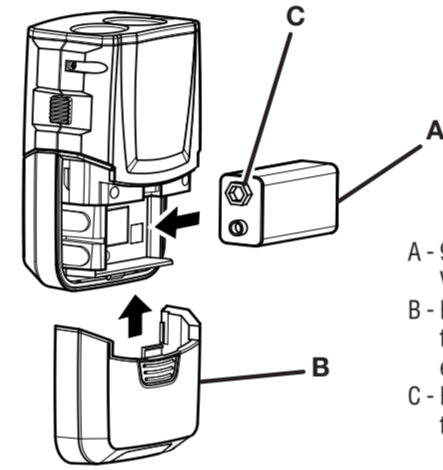
Area (□) Measurement:

- Press the **(X/=) button (G)** until the (□) (J) symbol is displayed.
- Press the **Measure button (D)** to take first length measurement.
- The unit will display the result of the length measurement.
- Reposition unit and take second length measurement.
- After two seconds the unit will display the result of the area measurement.

Volume (▯) Measurement:

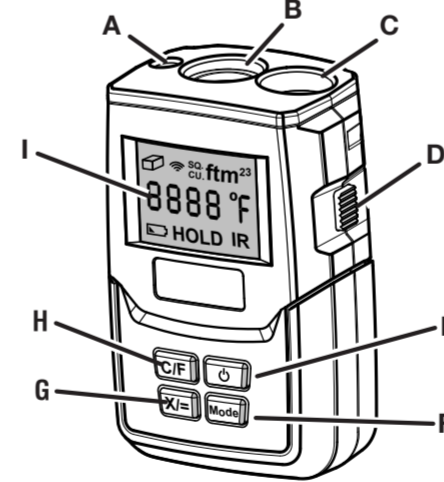
- Press the **(X/=) button (G)** until the (▯) (J) symbol is displayed.
- Press the **Measure button (D)** to take first length measurement.
- The unit will display the result of the length measurement.
- Reposition unit and take second length measurement.
- The unit will display the result of the area measurement.
- Reposition unit and take third length measurement.
- After two seconds the unit will display the result of the volume measurement.
- The unit will turn off in 60 seconds if there are no further operations or no key is pressed.

Fig. 1



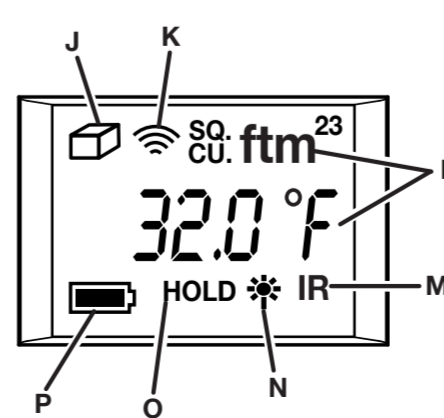
- A - 9V battery (Pile de 9 V, batería de 9 V)
- B - Battery cover (couvercle du compartiment de la batterie, tapa de la batería)
- C - Battery terminals (bornes de batterie, terminales de la batería)

Fig. 2



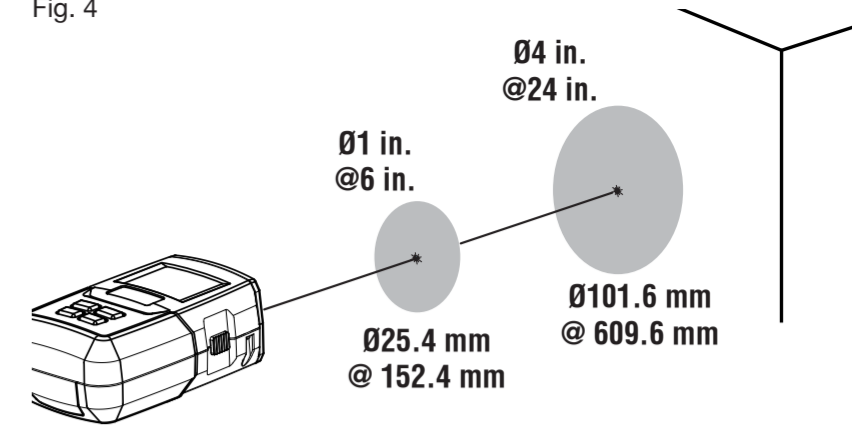
- A - Laser beam (faisceau laser, rayo láser)
- B - Sonic beam (faisceau sonore, rayo sónico)
- C - Infrared beam (faisceau à infrarouge, rayo infrarrojo)
- D - Measure button (bouton « mesure », botón de medición)
- E - Power button (bouton « power », marche/arrêt, botón de encendido)
- F - Mode button (bouton « mode », botón modo)
- G - (X/=) button [bouton « (X/=) », botón (X/=)]
- H - °C/F° (units) button [bouton « °C/F° » (Unités), botón °C/F° (unidades)]
- I - LCD display (afficheur ACL, pantalla de LCD)

Fig. 3



- J - Length, area, volume icon [icône « length », « area », « volume » (longueur), « aire », « volume », ícono de longitud, área y volumen]
- K - Sonic icon (icône « sonic » (sonique), ícono sónico)
- L - Reading (lecture, medición)
- M - Infrared icon (icône « infrared » (infrarouge), ícono infrarrojo)
- N - Laser icon (icône « laser » (laser), ícono láser)
- O - Hold icon (icône « hold » (retenue), ícono mantener)
- P - Battery charge icon (icône « battery charge » (charge des piles), ícono del cargador de la batería)

Fig. 4



WARRANTY

LIMITED TWO YEAR WARRANTY AND 30 DAY EXCHANGE POLICY
30-DAY EXCHANGE POLICY: During the first 30 days after date of purchasing this product, you may either request service under this warranty or you may exchange it by returning it with proof of purchase and all original equipment packaged with the original product to the dealer from which it was purchased. The replacement product will be covered by the limited warranty for the balance of the two year period from the date of the original purchase.

LIMITED TWO YEAR WARRANTY. This product is warranted against all defects in workmanship or materials for a period of two years from the date of purchase. The warranty on any accessories for this product, excluding batteries, is limited to 90 days from the date the accessory is purchased. To obtain warranty service, call Customer Service at 1-800-525-2579 for warranty return instructions. The product must be properly packaged and returned with all equipment that was included with the original product. When you request warranty service, you must also present proof of purchase documentation, which includes the date of purchase (for example, a receipt or a bill of sale). Defective products returned within the warranty period will be repaired or replaced, at our option, free of charge, within ninety (90) days or less. The cost of shipping the product to us is your responsibility. This warranty only covers defects arising under normal usage and does not cover any malfunction, failure or defects resulting from misuse, abuse, neglect, alteration, modification or unauthorized repairs. It applies only to the original purchaser at retail, and may not be transferred. One World Technologies, Inc. makes no warranties, representations or promises as to the quality or performance of this product other than those specifically stated in this warranty. Any implied warranties granted under state law, including warranties of merchantability or fitness for a particular purpose, are limited to two years from the date of purchase. One World Technologies, Inc. is not responsible for direct, indirect, or incidental damages. Some states do not allow limitations on how long an implied warranty lasts, or the exclusion or limitation of incidental or consequential damages, so the above limitations and exclusions may not apply to you. This warranty gives you specific legal rights, and you may also have other rights which vary from state to state.

ONE WORLD TECHNOLOGIES, INC.

1428 Pearman Dairy Road, Anderson, SC 29625
 Phone 1-800-525-2579
www.ryobitools.com

Ryobi® is a registered trademark of Ryobi Limited used under license.

Free Manuals Download Website

<http://myh66.com>

<http://usermanuals.us>

<http://www.somanuals.com>

<http://www.4manuals.cc>

<http://www.manual-lib.com>

<http://www.404manual.com>

<http://www.luxmanual.com>

<http://aubethermostatmanual.com>

Golf course search by state

<http://golfingnear.com>

Email search by domain

<http://emailbydomain.com>

Auto manuals search

<http://auto.somanuals.com>

TV manuals search

<http://tv.somanuals.com>