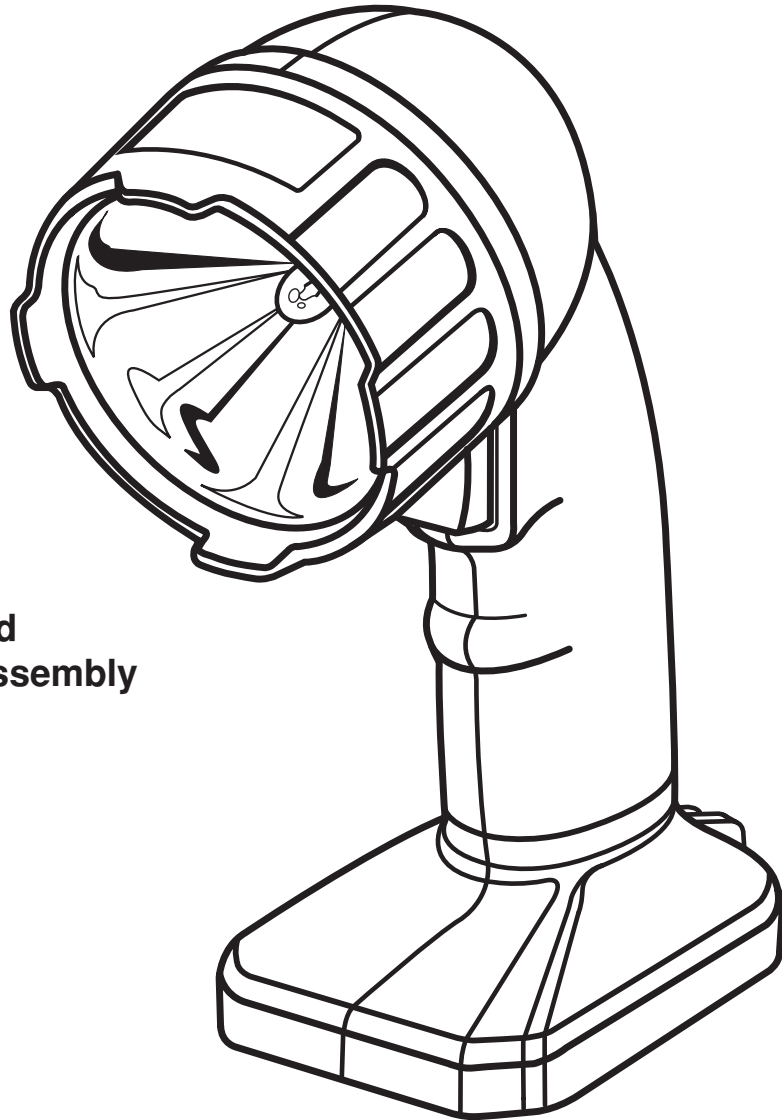


RYOBI OPERATOR'S MANUAL **9.6 VOLT CORDLESS FLASHLIGHT** **MODEL NO. FL96**



**Use only with recommended
battery pack and charging assembly**

Your new cordless flashlight has been engineered and manufactured to Ryobi's high standard for dependability, ease of operation, and operator safety. Properly cared for, it will give you years of rugged, trouble-free performance.

⚠ WARNING: To reduce the risk of injury, the user must read and understand the operator's manual.

Thank you for buying a Ryobi flashlight.

SAVE THIS MANUAL FOR FUTURE REFERENCE

INTRODUCTION

CAUTION:

Carefully read through this entire operator's manual before using your new flashlight. Pay close attention to the Rules For Safe Operation, Warnings and Cautions. Safety, performance and dependability have been given top priority in the design of this flashlight making it easy to maintain and operate. If you use your flashlight properly and only for its intended use, you will enjoy years of safe, reliable service.

SAFETY AND INTERNATIONAL SYMBOLS

This operator's manual describes safety and international symbols and pictographs that may appear on this product. Read the operator's manual for complete safety, assembly, operating and maintenance, and repair information.



MEANING

Do not expose to rain or use in damp locations.



This decal indicates HOT SURFACE. DO NOT TOUCH. Keep all body parts away from all hot surfaces.

RULES FOR SAFE OPERATION

READ ALL INSTRUCTIONS

- **KNOW YOUR FLASHLIGHT.** Read operator's manual carefully. Learn its applications and limitations as well as the specific potential hazards related to this light.
- **USE ONLY** the battery pack part number as indicated on the data plate label of the FL96 flashlight. Any attempt to use another battery pack could cause damage to your flashlight and the battery pack could possibly explode, cause a fire, or personal injury.
- **REMOVE BATTERY PACK FROM FLASHLIGHT BEFORE REPLACING BULB OR PERFORMING ANY ROUTINE MAINTENANCE OR CLEANING.**
- **DO NOT DISASSEMBLE YOUR FLASHLIGHT.**
- **DO NOT PLACE FLASHLIGHT OR BATTERY PACK NEAR FIRE OR HEAT.** They may explode. Also, **DO NOT** dispose of a worn out battery pack by incinerating. Do not incinerate the battery, even if it is severely damaged or completely worn out. The battery may explode in fire.
- **DO NOT STORE YOUR FLASHLIGHT IN A DAMP OR WET LOCATION. DO NOT STORE IN LOCATIONS WHERE THE TEMPERATURE IS LESS THAN 50°F OR MORE THAN 100°F.** Do not store in outside sheds or in vehicles.
- **DO NOT PERMIT CHILDREN TO USE FLASHLIGHT UNSUPERVISED.** It is not a toy. The temperature of the

bulb will become hot after being on for only a short period of time. This hot temperature can cause burn injury if touched and can create sufficient heat to melt some fabrics.

WARNING:

If wrapped or in contact with fabrics, the flashlight lens can produce sufficient heat to melt some fabrics. To avoid serious personal injury, never allow the flashlight lens to come in contact with anything.

- **KEEP WORK AREA CLEAN.** Cluttered areas and benches invite accidents.
- **AVOID DANGEROUS ENVIRONMENT.**
- **KEEP LIGHT DRY, CLEAN, AND FREE FROM OIL AND GREASE.** Always use a clean cloth when cleaning. Never use brake fluids, gasoline, petroleum-based products or any strong solvent to clean your flashlight.
- **STAY ALERT.** Watch what you are doing and use common sense. Do not rush.
- **CHECK DAMAGED PARTS.** Before further use of this flashlight, a part that is damaged should be carefully checked to determine that it will operate properly and perform its intended function. Do not use flashlight if it does not function properly.

RULES FOR SAFE OPERATION (Continued)

SAFETY RULES FOR FLASHLIGHTS

WARNING:

Do not operate flashlight or charger near flammable liquids or in gaseous or explosive atmospheres. Internal sparks may ignite fumes.

WARNING:

Lens and bulb become hot during use:

- During or immediately after use, don't lay flashlight flat on lens surface or place lens area in contact with a plastic or fabric covered surface.
- Handle flashlight with care around any flammable surface.
- Let flashlight cool for several minutes after use before changing bulb.
- Do not use or permit use of flashlight in bed or sleeping bags. This flashlight lens can melt fabric and a burn injury could result.

IMPORTANT SAFETY RULES FOR BATTERY TOOLS

- **USE ONLY THE CHARGER RECOMMENDED FOR USE WITH YOUR FLASHLIGHT.** Do not substitute any other charger. Use of another charger could cause batteries to explode causing possible serious injury.
- Your battery tool should be charged in a location where the temperature is more than 50°F but less than 100°F.
- Under extreme usage or temperature conditions, battery leakage may occur. If liquid comes in contact with your skin, wash immediately with soap and water, then neutralize with lemon juice or vinegar. If liquid gets in your eyes, flush them with clean water for at least 10 minutes, then seek immediate medical attention.

WARNING:

Batteries vent hydrogen gas and can explode in the presence of a source of ignition, such as a pilot light. To reduce the risk of serious personal injury, never use any cordless product in the presence of open flame. An exploded battery can propel debris and chemicals. If exposed, flush with water immediately.

WARNING:

Never use a battery pack that has been damaged or received a sharp blow. A damaged battery pack is subject to explosion. Properly dispose of a damaged battery pack immediately. Failure to heed this warning can result in serious personal injury.

- **WHEN SERVICING USE ONLY IDENTICAL REPLACEMENT PARTS.**

IMPORTANT SAFETY INSTRUCTIONS FOR CHARGER

- Before using battery charger, read all instructions and cautionary markings in this manual, on battery charger, and product using battery charger.

CAUTION:

To reduce the risk of injury, charge only nickel-cadmium type rechargeable batteries. Other types of batteries may burst causing personal injury and damage.

- Do not expose to wet or damp conditions.
- To reduce the risk of damage to charger body and cord, pull by charger plug rather than cord when disconnecting charger.
- An extension cord should not be used unless absolutely necessary. Use of improper extension cord could result in a risk of fire and electric shock. If extension cord must be used, make sure:
 - a. That pins on plug of extension cord are the same number, size and shape as those of plug on charger.
 - b. That extension cord is properly wired and in good electrical condition; and
 - c. That wire size is large enough for AC ampere rating of charger as specified below:

Cord Length (Feet)	25'	50'	100'
Cord Size (AWG)	16	16	16

Note: AWG = American Wire Gage
- **DO NOT OPERATE CHARGER WITH A DAMAGED CORD OR PLUG.** If damaged, have replaced immediately by a qualified serviceman.
- Do not operate charger if it has received a sharp blow, been dropped, or otherwise damaged in any way; take it to a qualified serviceman.
- Do not disassemble charger; take it to a qualified serviceman when service or repair is required. Incorrect reassembly may result in a risk of electric shock or fire.
- To reduce the risk of electric shock, unplug charger from outlet before attempting any maintenance or cleaning. Turning off controls will not reduce this risk.
- Do not use charger in wet or damp conditions.
- Disconnect charger from power supply when not in use.
- **SAVE THESE INSTRUCTIONS.** Review them frequently and use them to instruct others who may use this light. If you loan someone this light, loan them these instructions also.

SAVE THESE INSTRUCTIONS

OPERATION

CHARGING FLASHLIGHT

If your flashlight did not come in a cordless kit with other cordless products, a battery pack and charging assembly were not included. If you decide to purchase a battery pack, request recommended battery pack part number 1311146. If you decide to purchase a charging assembly, request recommended charging assembly part number 1411133, 1411140 or 981351-001. If your flashlight came with a kit, use the battery pack and charging assembly included with the kit.

TO CHARGE BATTERY PACK:

See Figure 1.

- Charge battery pack only with the charging assembly recommended.
- **Make sure power supply is normal household voltage, 120 volts, 60 Hz, AC only.**
- Connect charging assembly to power supply.
- Place battery pack in charging assembly then press down on battery pack to be sure contacts on battery pack engage properly with charging assembly contacts.
- For charger part number 1411140 or 981351-001: The red light (LED) should turn on and will remain on even when charging is complete. Red light will not go off until you remove the battery pack.
- For charger part number 1411133: If red light does not come on after 1 hour, this indicates a problem with the battery pack.
If red light comes on after a short period to maximum of 1 hour, this indicates battery pack is deeply discharged but is now charging normally.
If red light comes on immediately, this is normal charging.
- After normal usage, 3 hours of charging time is required to be fully charged. A minimum charge time of 6 hours is required to recharge a completely discharged battery pack.

TO INSTALL/REMOVE BATTERY PACK

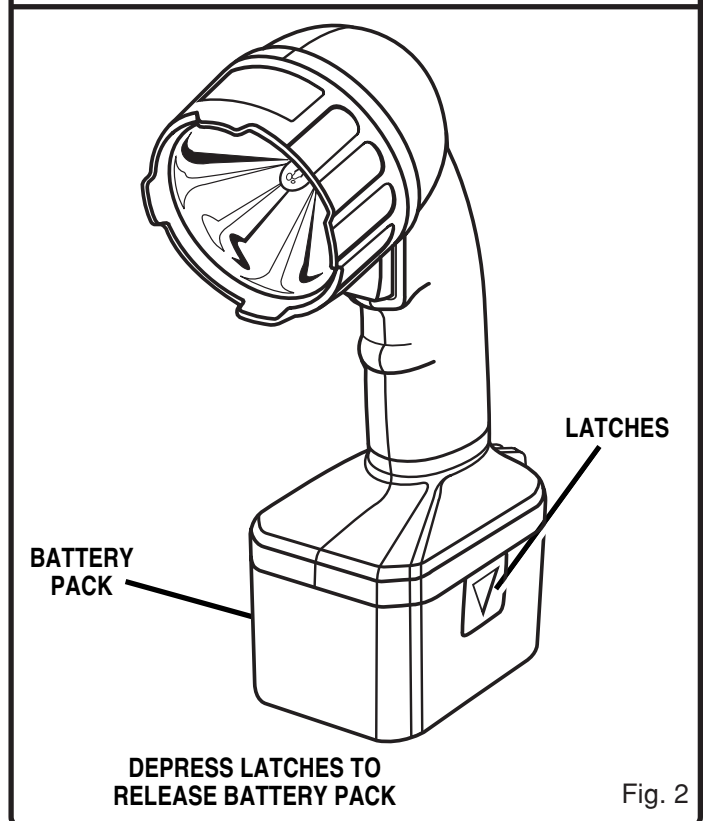
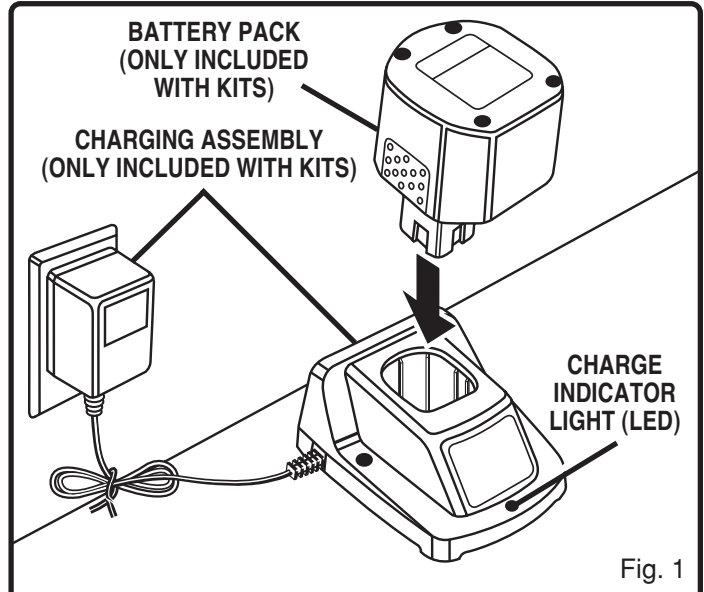
See Figure 2.

- Begin with a fully charged battery pack.
- Orient battery pack so that raised rib on battery pack aligns with groove inside flashlight. Battery pack is designed to fit only one way in light handle.
- Insert battery pack, making sure latches on each side of battery pack snap in place and battery pack is secure in light before use.

⚠ CAUTION:

When placing battery pack in your flashlight, be sure raised ribs on battery pack aligns with groove inside light handle and latches snap in place properly. Improper assembly of battery pack can cause damage to internal components.

- To remove battery pack, locate latches on end of battery pack and depress to release battery pack from your light.



OPERATION

SWITCH

See Figure 3.

To turn your light on and off, depress switch trigger.

180° ROTATING HEAD

See Figure 3.

Your flashlight has the feature of rotating the head 180° in either direction.

BULB REPLACEMENT

See Figure 4.

When purchasing replacement bulb, request recommended part number 981258-003.

TO REPLACE BULB:

- Remove battery pack from flashlight.
- Remove lens cover by turning cover in counterclockwise direction, then remove cover.
- Remove old bulb from spring.
- Position new bulb in spring.
- Replace lens cover.
- Replace battery pack.

Note: For your convenience, your flashlight has a spare bulb storage area. It is located behind the lens cover. See Figure 4.

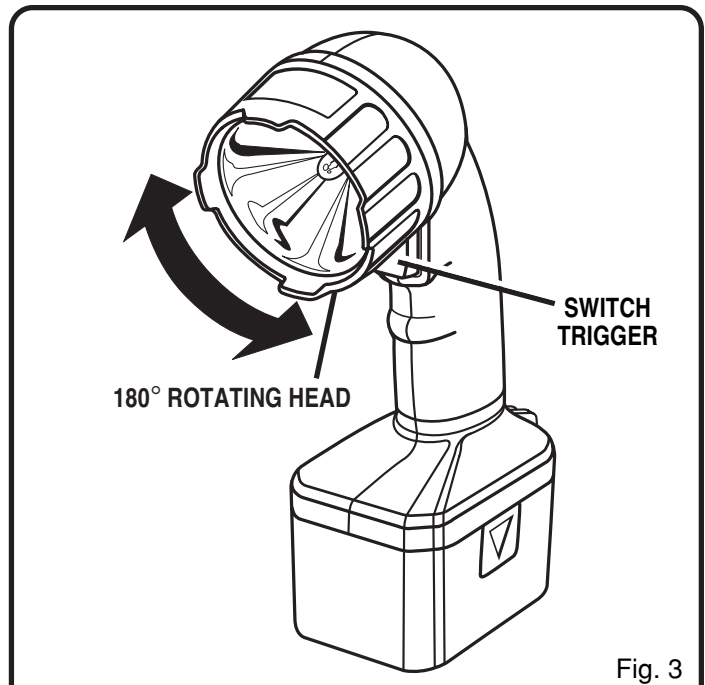


Fig. 3

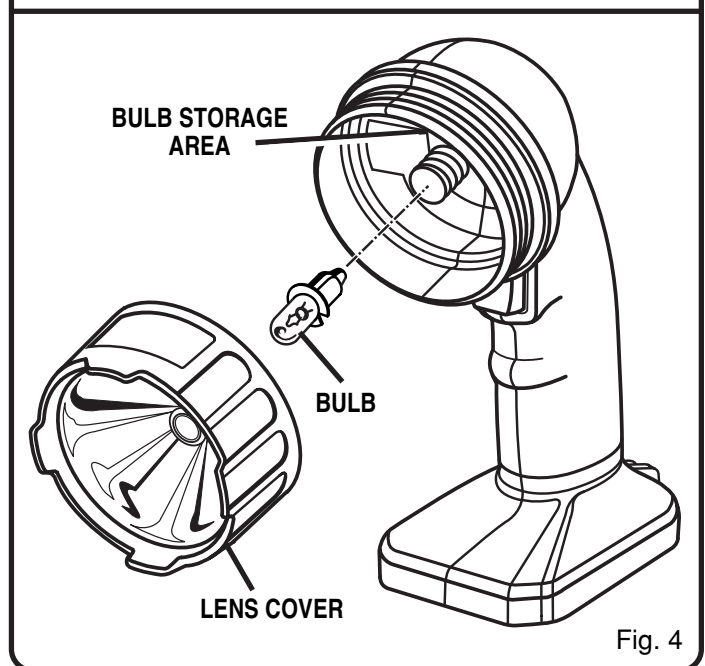


Fig. 4

MAINTENANCE

WARNING:

When servicing, use only identical replacement parts. Use of any other part may create a hazard or cause product damage.

WARNING:

Do not at any time let brake fluids, gasoline, petroleum-based products, penetrating oils, etc. come in contact with plastic parts. They contain chemicals that can damage, weaken or destroy plastic.

DO NOT abuse power tools. Abusive practices can damage tool as well as workpiece.

WARNING:

Do not attempt to modify this tool or create accessories not recommended for use with this tool. Any such alteration or modification is misuse and could result in a hazardous condition leading to possible serious personal injury.

BATTERIES

Your flashlight's battery pack is equipped with nickel-cadmium rechargeable batteries. Length of service from each charging will depend on the type of work you are doing.

The batteries in this tool have been designed to provide maximum trouble free life. However, like all batteries, they will eventually wear out. **DO NOT** disassemble battery pack and attempt to replace the batteries. Handling of these batteries, especially when wearing rings and jewelry, could result in a serious burn.

To obtain the longest possible battery life, we suggest the following:

- Store and charge your batteries in a cool area. Temperatures above 100° F or below 50° F will shorten battery life.
- Never store batteries in a discharged condition. Recharge them after they are discharged.
- All batteries gradually lose their charge. The higher the temperature the quicker they lose their charge. If you store your tool for long periods of time without using it, recharge the batteries every month or two. This practice will prolong battery life.

DISPOSAL OF THE EXHAUSTED BATTERY



To preserve natural resources, please recycle or dispose of properly.

This product uses nickel-cadmium batteries. Local, state or federal laws may prohibit disposal of nickel-cadmium batteries in ordinary trash.

Consult your local waste authority for information regarding available recycling and/or disposal options.

For more information on battery recycling call **1-800-8BATTERY**.

WARNING:

Upon removal, cover the battery pack's terminals with heavy duty adhesive tape. Do not attempt to destroy or disassemble battery pack or remove any of its components. Nickel-cadmium batteries must be recycled or disposed of properly. Also, never touch both terminals with metal objects and/or body parts as short circuit may result. Keep away from children. Failure to comply with these warnings could result in fire and/or serious injury.

WARNING:

Do not attempt to disassemble the battery pack. Fire or injury may result.



OPERATOR'S MANUAL

9.6 VOLT CORDLESS FLASHLIGHT

MODEL NO. FL96

- **SERVICE**

Now that you have purchased your tool, should a need ever exist for repair parts or service, simply contact your nearest Ryobi Authorized Service Center. Be sure to provide all pertinent facts when you call or visit. Please call 1-800-525-2579 for your nearest Ryobi Authorized Service Center. You can also check our web site at www.ryobitools.com for a complete list of Authorized Service Centers.

- **MODEL NO. AND SERIAL NO.**

The model number of this tool will be found on a plate attached to the motor housing. Please record the serial number in the space provided below.

- **HOW TO ORDER REPAIR PARTS**

WHEN ORDERING REPAIR PARTS,
ALWAYS GIVE THE FOLLOWING INFORMATION:

- MODEL NUMBER **FL96**
- SERIAL NUMBER _____

RYOBI TECHNOLOGIES, INC.

1428 Pearman Dairy Road, Anderson, SC 29625

Post Office Box 1207, Anderson, SC 29622-1207

Phone 1-800-525-2579

www.ryobitools.com

Free Manuals Download Website

<http://myh66.com>

<http://usermanuals.us>

<http://www.somanuals.com>

<http://www.4manuals.cc>

<http://www.manual-lib.com>

<http://www.404manual.com>

<http://www.luxmanual.com>

<http://aubethermostatmanual.com>

Golf course search by state

<http://golfingnear.com>

Email search by domain

<http://emailbydomain.com>

Auto manuals search

<http://auto.somanuals.com>

TV manuals search

<http://tv.somanuals.com>