

# R440 FORCE WHEEL

USER MANUAL  
MANUEL D'UTILISATION  
BEDIENUNGSANLEITUNG  
MANUALE D'USO  
MANUAL DEL USUARIO



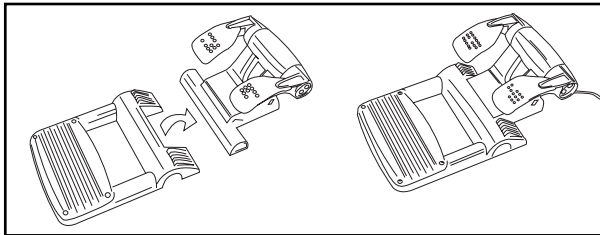
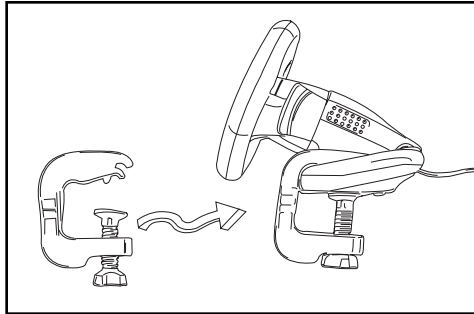
## SAITEK R440 FORCE WHEEL

The Saitek R440 Force Wheel is the new driving force in wheels for the PC. With its streamlined design and Immersion's® patented Touchsense™ technology inside, the R440 delivers the most realistic racing experience to your desktop. The force feedback technology puts you right on the racetrack – feeling every move you make in the game. Add to this a complete range of features - including pedals and gearshift paddles - and you have the perfect driving solution.

### GETTING STARTED

#### Setting Up your Controller

- 1 Before connecting the R440 Force Wheel to your PC, you need to connect it to your mains supply using the AC/DC adapter (supplied). This connects via the front of the unit next to the USB cable.
- 2 Attach the main wheel unit and the desk clamp as shown in the diagram.
- 3 Position the steering wheel unit on the edge of your desktop, and turn the clamp grip clockwise until the unit is securely attached to the desk. Do not overtighten!
- 4 Plug the cable from the pedal unit into the socket in the steering wheel unit, making sure the connector clicks firmly into place.
- 5 Attach the main pedal unit to the pedal unit base, making sure it clicks firmly into place. Next, place the complete pedal unit floor for your optimum driving position.



#### Saitek Smart Technology Software

Saitek Smart Technology software is the software that Saitek supplies for our high-end game controllers. The Smart Technology software comprises the product drivers for these Saitek controllers and the optional programming software. By keeping the two separate, the Smart Technology software offers two types of installation to suit the individual gamer's needs, which means even more gamers can enjoy these quality Saitek products.

The *Quick Install* loads the product drivers only (all that is needed to use the controller) and is suitable for the new or **Typical User**. This install is fast and simple and will have the gamer up and running in no time at all.

The *Full Install* loads the product drivers and the Saitek Smart Technology programming software and is suitable for the **Advanced User**. The programming software delivers a powerful set of features for the ultimate configuration in the game. Although it is recommended for the seasoned gamer, it can be installed at any time. This gives the typical user a chance to get to know the controller before taking gaming to the next level.

## INSTALLATION FOR USERS OF WINDOWS® XP

### **Quick Install (Drivers Only)**

This installation will **ONLY** install the drivers for your Saitek controller. The *Full Install* (below) will install the drivers and the Saitek Smart Technology programming software for your Saitek controller.

- 1 With your computer switched on, close down any programs that are currently running and insert the Saitek Smart Technology CD into your CD-ROM drive.
- 2 When the Introduction Screen appears, click **Install Software** to continue.
- 3 When the **Welcome** screen appears, click **Next** to continue. (If the CD does not run automatically, select **Start** from the Windows® Taskbar, then **Run** and type **D:\Setup.exe** and click **OK** - where **D:** is letter of your CD-ROM drive).
- 4 After reading the Disclaimer, select the **I accept the terms of the Disclaimer** option and click **Next** to continue.
- 5 At the **Device Driver Installation** screen, click on **Next** and follow the on-screen instructions.
- 6 When prompted, plug your controller's USB connector into your computer, then click on **Configure** and then **Continue Anyway**. Follow the on-screen instructions until you reach the **Controller Properties** screen.
- 7 When the **Controller Properties** screen appears, click **Next** to view the **Test** screen.
- 8 Now try out all your controller's buttons and controls to show that it is working properly. When you have finished, click **OK**.
- 9 At the **Programming Software** screen, select **Typical User** and click **Next**.
- 10 At the **Registration** screen, select **Register my Saitek controller online** and follow the on-screen instructions or select **Register Later** and click **Next**.
- 11 Click on **Finish** to complete the installation. Your Saitek controller is now ready for use with your favorite games.

### **Full Install (Drivers and Programming Software)**

This installation will install the drivers and the Saitek Smart Technology programming software for the Saitek controller.

- 1 Follow points 1 – 7 of the install procedure in *Quick Install (Drivers Only)*, then at the **Programming Software** screen, select **Advanced User** and click **Next**.
- 2 At the **Programmable Controller Drivers** screen, click **Update** and follow the on-screen instructions. At this point you will be asked to install such features as the Saitek Magic Mouse and Saitek Magic Keyboard (these are what XP calls the various elements of your Saitek controller). Continue to click on **Next**, **Continue Anyway** and **Finish** to accept the installation until the Installation of programming software successful screen appears.
- 3 At the **Installation of programming software** successful screen, click **Next**.
- 4 At the **Registration** screen, select **Register** and follow the on-screen instructions or select **Register Later** and click **Next**.
- 5 Upon completion of the installation, you have the option to **Run Profile Editor**, which will give you a view of the 3D programming environment. If you do not wish to see the Profile Editor at this point, just uncheck the box and click on **Finish** to complete the installation. Your Saitek controller is now ready for use with your favorite games.

For a complete guide on how to program your Saitek controller, visit the Saitek website at [www.saitek.com](http://www.saitek.com).

## INSTALLATION FOR USERS OF WINDOWS® 2000

### **Quick Install (Drivers Only)**

This installation will **ONLY** install the drivers for your Saitek controller. The *Full Install* (below), will install the drivers and the Saitek Smart Technology programming software for your Saitek controller.

- 1 With your computer switched on, close down any programs that are currently running and insert the Saitek Smart Technology CD into your CD-ROM drive.
- 2 When the Introduction Screen appears, click **Install Software** to continue.
- 3 When the **Welcome** screen appears, click **Next** to continue. (If the CD does not run automatically, select **Start** from the Windows® Taskbar, then **Run** and type **D:\Setup.exe** and click **OK** - where **D:** is letter of your CD-ROM drive).
- 4 After reading the Disclaimer, select the **I accept the terms of the Disclaimer** option and click **Next** to continue.
- 5 At the **Device Driver Installation** screen, click on **Next** and follow the on-screen instructions.
- 6 When prompted, plug your controller's USB connector into your computer, then click on **Configure**.
- 7 When the **Controller Properties** screen appears, click **Next** to view the **Test** screen.
- 8 Now try out all your controller's buttons and controls to show that it is working properly. When you have finished, click **OK**.
- 9 At the **Programming Software** screen, select **Typical User** and click **Next**.
- 10 At the **Registration screen**, select **Register** and follow the on-screen instructions or select **Register Later** and click **Next**.
- 11 Click on **Finish** to complete the installation. Your Saitek controller is now ready for use with your favorite games.

### **Full Install (Drivers and Programming Software)**

This installation will install the drivers and the Saitek Smart Technology programming software for the Saitek controller.

- 1 Follow points 1 – 7 of the install procedure in *Quick Install (Drivers Only)*, then at the **Programming Software** screen, select **Advanced User** and click **Next**.
- 2 At the **Programmable Controller Drivers** screen, click **Update** and follow the on-screen instructions.
- 3 Then at the **Installation of programming software successful** screen, click **Next**.
- 4 At the **Registration** screen, select **Register** and follow the on-screen instructions or select **Register Later** and click **Next**.
- 5 Upon completion of the installation, you have the option to **Run Profile Editor**, which will give you a view of the 3D programming environment. If you do not wish to see the Profile Editor at this point, just uncheck the box and click on **Finish** to complete the installation. Your Saitek controller is now ready for use with your favorite games.

For a complete guide on how to program your Saitek controller, visit the Saitek website at [www.saitek.com](http://www.saitek.com).

## INSTALLATION FOR USERS OF WINDOWS® 98 AND ME

### **Quick Install (Drivers Only)**

This installation will install the drivers for the Saitek controller only.

- 1 With your computer switched on, close down any programs that are currently running and insert the Saitek Smart Technology CD into your CD-ROM drive.
- 2 When the Introduction Screen appears, click **Install Software** to continue.
- 3 When the **Welcome** screen appears, click **Next** to continue. (If the CD does not run automatically, select **Start** from the Windows® Taskbar, then **Run** and type **D:\Setup.exe** and click **OK**).
- 4 After reading and accepting the Disclaimer, click **Next** to continue.

**Note:** For your controller to work, you must have a minimum of Microsoft® DirectX® 8.1 installed on your computer. The installer will automatically recognize if this software needs to be added, and will allow you to install it directly from the Saitek Product Companion CD, if necessary.

If you are asked to install Microsoft® DirectX® 8.1, click **Install** and follow the on-screen instructions, and then restart your computer when prompted. **Make sure that you leave the Saitek CD in the drive when restarting.** After this software has been installed, you will automatically be taken to the installation to continue with the next step.

- 5 Follow the on-screen instructions and select **Yes, I want to restart my computer now** when prompted.
- 6 After the restart, at the **Device Driver Installation** screen, click on **Next** and follow the on-screen instructions.
- 7 When prompted, plug your USB connector into your computer.
- 8 When the **Controller Properties** screen appears, click **Next** to view the **Test** Screen.
- 9 Now try out all your controller buttons and controls to show that it is working properly. When you have finished, click **OK**.
- 10 At the Programming Software screen, select **Typical User** and click **Next**.
- 11 At the **Registration** screen, select **Register my Saitek controller online**, click **Next** and follow the on-screen instructions or select **Register Later** and click **Next**.
- 12 Click on **Finish** to complete the installation. Your Saitek controller is now ready for use with your favorite games.

### **Full Install (Drivers and Programming Software)**

This installation will **ONLY** install the drivers for your Saitek controller. The *Full Install* (below), will install the drivers and the Saitek Smart Technology programming software for your Saitek controller.

- 1 Follow points 1 – 8 of the install procedure in *Quick Install (Drivers Only)*, then at the Programming Software screen, select **Advanced User** and click **Next**.
- 2 At the **Programmable Controller Drivers** screen, click **Update** and follow the on-screen instructions. At this point you will be asked to insert your Windows® CD, however, **DO NOT** do this, just click on **OK**. At the next screen, type **C:\windows\system** into the prompt and click **OK** and follow the on-screen instructions.
- 3 At the **Installation of programming software successful** screen, click **Next**.
- 4 At the **Registration** screen, select **Register my Saitek controller online**, click **Next** and follow the on-screen instructions or select **Register Later** and click **Next**.
- 5 Upon completion of the installation, you have the option to **Run Profile Editor**, which will give you a view of the 3D programming environment. If you do not wish to see the Profile Editor at this point, just uncheck the box and click on **Finish** to complete the installation. Your Saitek controller is now ready for use with your favorite games.

For a complete guide on how to program your Saitek controller, visit the Saitek website at [www.saitek.com](http://www.saitek.com).

### ***Installing the Programming Software at a Later Date***

If you chose the *Quick Install (Drivers Only)* you might want to install the **Saitek Smart Technology** programming software once you have mastered your new Saitek controller. To do this, simply reinstall your controller following the relevant *Full Install (Drivers and Programming Software)* above.

## **PROGRAMMING YOUR SAITEK CONTROLLER WITH SAITEK SMART TECHNOLOGY PROGRAMMING SOFTWARE**

### ***Introducing Saitek Smart Technology Programming Software***

Saitek Smart Technology Programming Software (SST) is the software Saitek supplies to configure your Saitek controller for enhanced functionality. SST delivers a powerful set of features, allowing you to program your device with the ultimate configuration for total interaction. Despite a level of sophistication previously unseen in the market, and because of the Saitek Smart Technology inside, the software remains simple and intuitive to use.

#### **Features of Smart Technology Programming Software:**

- Quick and easy setup in any game
- Personalize the controller settings for your favorite games
- Configure your controller with an on-screen 3D model and interface
- Multiple setup option for each controller - ideal if a controller is used by several people
- Program special moves with sophisticated timing features
- Special game setups available as 'Profiles' from the Saitek website and on the Smart Technology CD
- Download the latest version of Saitek Smart Technology software from the Saitek website

#### ***What is a Profile?***

A **Profile** is a custom setup for improved gameplay – consisting of a set of commands that are pre-assigned to the buttons or axes of your controller. There are over two hundred pre-written Profiles available on the Product Companion Disk that accompanies this device or on the Saitek Website – [www.saitek.com](http://www.saitek.com). (Please check the website for new or improved Profiles, which are being added regularly).

#### ***How Do I Program My Controller?***

After getting to know your controller, you can start creating your own personal Profiles with the Saitek Smart Technology programming software (SST). This software has virtually unlimited programming capabilities and allows you to customize the controller to your exact gaming needs.

The Profile Editor allows you to program the buttons on your controller to perform different actions within your games – this is especially useful if the game you are using does not have its own screen that allows reconfiguring of your buttons.

#### ***Getting Started***

- 1 Double-click on the Saitek Smart Technology icon the install left on your desktop.
- 2 In the **Profile Editor**, choose the control to which you wish to assign a keyboard command. You do this by left-clicking on the control's cell in the control list on the right of the screen.
- 3 With the cursor flashing, type in the key commands and then click on the green tick mark when complete.
- 4 Repeat this procedure for all the buttons you would like to program and then click **File, Save** at the top of the **Profile Editor** window.

- 5 Give the profile a name (it is recommended you name it after the game for which the profile is intended) and then click **Save**.
- 6 To enable the profile either click the **Profile Now** icon at the top of the Profile Editor (it looks like a black and yellow crosshair) or right-click on the controller icon in your taskbar and select the name of the profile from the pop-up list of options.
- 7 You will notice that when a profile is loaded that the controller icon in your taskbar has a green square behind it, indicating that a profile is currently loaded. If you wish to unload a profile simply right-click on the controller icon and click **Clear Profile** from the pop-up list of options.

For a complete guide on how to program your Saitek controller, visit the Saitek website at [www.saitek.com](http://www.saitek.com).

## TECHNICAL SUPPORT

### *Can't get started – don't worry, we're here to help you!*

Did you know that nearly all the products that are returned to us as faulty are not faulty at all? They have just not been installed properly.

So, if you experience any difficulty with this product, please visit our website or contact one of our friendly technical support staff who will be pleased to help you.

Our website [www.saitek.com](http://www.saitek.com) is designed to help you get the best performance from your Saitek product. And if you still have problems, we also have teams of product specialists around the world you can call for advice and support. Contact details are provided on the Technical Support Center list provided with this product. Saitek is dedicated to helping you enjoy your purchase – please call us if you have any difficulties or worries.

### **The Saitek Website**

If you have access to an Internet connection, many of your technical queries may be answered with a simple visit to the Saitek Website at:

**[www.saitek.com](http://www.saitek.com)**

The technical support area will provide you with all the information you need to get the most out of your controller, solve any problems you might have and provide you with the latest game configurations.

The site also contains regularly updated material, including information about:

- Current and forthcoming products
- Driver upgrades
- Game configurations (Profiles)
- Links to useful sites

### **Contacting Saitek**

If you do not have access to the Internet, or if the website cannot answer your question, you will need to contact your local Saitek Technical Support Team.

However, before contacting Technical Support, here are a few tips to help us to help you:

- Make sure you have followed all the steps shown in this manual
- Check that the controller is correctly connected to your computer
- Confirm that your PC is functioning normally

At Saitek, we aim to offer comprehensive and thorough technical support to all of our users. So, before you call, follow the guidelines below to ensure that you have all of the information necessary for us to help you.

- 1 **Know the problem** - make sure that you are clear about the problem you are having and that you can describe the events that led up to it.
- 2 **Check the Troubleshooting Guide** –in the Troubleshooting section of this manual.
- 3 **Know your hardware** - if it is possible, have the following information to hand:
  - The make and model of the computer you are using
  - The name and version of the game you were using when you started having problems
  - The make and model of your computer's motherboard
  - The make and model of your computer's sound card
- 4 **Be ready** - if possible, please try and ring whilst sitting at the computer with all the relevant information and hardware to hand. If you are having a problem with a particular game or application, make sure that you have it loaded.
- 5 **Be patient** - we try our best to deal with customer queries as quickly as possible. At times it may be necessary to refer queries on to our specialist staff. Please be patient!

To contact your local Saitek Technical Support Center, please look up the relevant contact details on the separate Technical Support Center sheet that came packaged with this product.

### **Conditions of Warranty**

- 1 Warranty period is 2 years from date of purchase with proof of purchase submitted.
- 2 Operating instructions must be followed.
- 3 Product must not have been damaged as a result of defacement, misuse, abuse, neglect, accident, destruction or alteration of the serial number, improper electrical voltages or currents, repair, alteration or maintenance by any person or party other than our own service facility or an authorized service center, use or installation of non-Saitek replacement parts in the product or the modification of this product in any way, or the incorporation of this product into any other products, or damage to the product caused by accident, fire, floods, lightning, or acts of God, or any use violative of instructions furnished by Saitek plc.
- 4 Obligations of Saitek shall be limited to repair or replacement with the same or similar unit, at our option. To obtain repairs under this warranty, present the product and proof of purchase (e.g. bill or invoice) to the authorized Saitek Technical Support Center (listed on the separate sheet packaged with this product) transportation charges prepaid. Any requirements that conflict with any state or Federal laws, rules and/or obligations shall not be enforceable in that particular territory and Saitek will adhere to those laws, rules, and/or obligations.
- 5 When returning the product for repair, please pack it very carefully, preferably using the original packaging materials. Please also include an explanatory note.
- 6 **IMPORTANT:** To save yourself unnecessary cost and inconvenience, please check carefully that you have read and followed the instructions in this manual.
- 7 This warranty is in Lieu of all other expressed warranties, obligations or liabilities. ANY IMPLIED WARRANTIES, OBLIGATIONS, OR LIABILITIES, INCLUDING BUT NOT LIMITED TO THE IMPLIED WARRANTIES OF MERCHANTABILITY AND FITNESS FOR A PARTICULAR PURPOSE, SHALL BE LIMITED IN DURATION TO THE DURATION OF THIS WRITTEN LIMITED WARRANTY. Some states do not allow limitations on how long an implied warranty lasts, so the above limitations may not apply to you. IN NO EVENT SHALL WE BE LIABLE FOR ANY SPECIAL OR CONSEQUENTIAL DAMAGES FOR BREACH OF THIS OR ANY OTHER WARRANTY, EXPRESS OR IMPLIED, WHATSOEVER. Some states do not allow the exclusion or limitation of special, incidental or consequential damages, so the above limitation may not apply to you. This warranty gives you specific legal rights, and you may also have other rights which vary from state to state.



### ***FCC Compliance and Advisory Statement***

**Warning:** Changes or modifications to this unit not expressly approved by the party responsible for compliance could void the user's authority to operate the equipment.

This device complies with Part 15 of the FCC Rules. Operation is subject to the following two conditions:

- 1 This device may not cause harmful interference, and
- 2 This device must accept any interference received, including interference that may cause undesired operation

**NOTE:** This equipment has been tested and found to comply with the limits for a Class B digital device, pursuant to Part 15 of the FCC Rules. These limits are designed to provide reasonable protection against harmful interference in a residential installation. This equipment generates, uses and can radiate radio frequency energy and, if not installed and used in accordance with the instructions, may cause harmful interference to radio communications. However, there is no guarantee that interference will not occur in a particular installation. If this equipment does cause harmful interference to radio or television reception, which can be determined by turning the equipment off and on, the user is encouraged to try to correct the interference by one or more of the following measures:

- Reorient or relocate the receiving antenna
- Increase the separation between the equipment and receiver
- Connect the equipment into an outlet on a circuit different from that to which the receiver is connected
- Consult the dealer or an experienced radio/TV technician for help

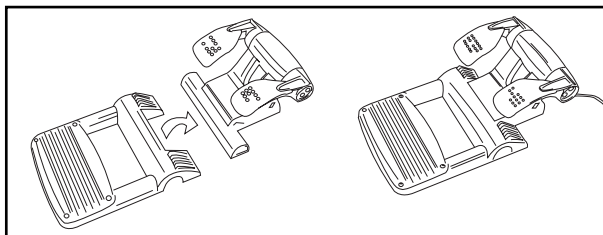
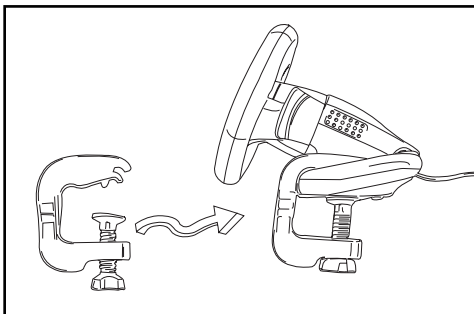
Saitek Industries, 2295 Jefferson Street, Torrance, CA 90501, USA

## SAITEK R440 FORCE WHEEL

Le R440 Force Wheel de Saitek révolutionne les volants pour PC. Grâce à son design moderne et sa technologie TouchSense™ intégrée, développée par Immersion®, le R440 garantit un réalisme jusqu'ici inégalé dans les jeux de course. La technologie de retour de force donne l'impression d'être réellement sur la piste et permet de ressentir chaque mouvement de la course. Avec sa gamme extensive de caractéristiques (y compris des palettes au niveau du pédalier et du levier de vitesse), le R440 est vraiment le volant idéal pour les passionnés de courses automobiles.

### DÉMARRER

- 1 Avant de connecter le R440 Force Wheel au PC, vous avez besoin de le connecter à votre conducteur principale en utilisant l'adaptateur de AC/DC (fourni). Ceci connecte au devant de l'unité à côté du câble de USB.
- 2 Fixez le volant et le mécanisme de fixation à votre bureau en suivant les instructions données dans le dessin explicatif.
- 3 Positionnez le volant sur le bord de votre bureau, puis vissez les fixations dans le sens des aiguilles d'une montre jusqu'à ce que le volant bien stable. Ne serrez pas trop fort !
- 4 Branchez le pédalier au volant en vous assurant que le contact soit bien enclenché (petit click).
- 5 Fixez le pédalier sur sa base en s'assurant que les différentes pièces ont été correctement encliquetées. Posez alors le pédalier sur le sol en choisissant la position de conduite la plus confortable.



### Logiciel "Saitek Smart Technology"

"Saitek Smart Technology" est le logiciel créé par Saitek pour ses contrôleurs de jeu haut de gamme. Grâce à ce logiciel, vous pourrez installer les pilotes destinés aux contrôleurs Saitek ainsi qu'un logiciel de programmation **en option**. Le fait de séparer le logiciel Smart Technology en deux parties permet d'offrir deux types d'installation – et ainsi de mieux répondre aux besoins spécifiques de chaque joueur pour qu'il puisse tirer le meilleur parti des avantages des produits Saitek.

*L'Installation rapide* permet d'installer les pilotes du contrôleur (ce qui est suffisant pour utiliser le contrôleur) – idéal pour un nouvel utilisateur ou **Utilisateur type**. Cette installation rapide et facile permettra à l'utilisateur de commencer à jouer dans les plus brefs délais.

*L'Installation complète* permet de charger les pilotes du contrôleur et le logiciel de programmation Saitek Smart Technology – à réserver à un **Utilisateur avancé**. Le logiciel de programmation met à votre disposition une série d'outils puissants qui permettent de configurer votre contrôleur en fonction des différents jeux. Même si cette option est à réserver aux joueurs les plus

expérimentés, ce logiciel pourra être installé à une date ultérieure. Ceci donne la possibilité à l'utilisateur type d'apprendre à bien maîtriser son contrôleur avant de découvrir les nouvelles caractéristiques offertes par ce logiciel.

## INSTALLATION POUR LES UTILISATEURS DE WINDOWS® XP

### **Installation rapide (Pilotes uniquement)**

Cette procédure ne permettra d'installer **QUE** les pilotes de votre contrôleur Saitek. L'installation complète (ci-dessous) permettra d'installer les pilotes et le logiciel de programmation Saitek Smart Technology de votre contrôleur Saitek.

- 1 L'ordinateur allumé, fermez tous les programmes en cours d'exécution et insérez le CD Saitek Smart Technologie dans votre lecteur de CD-ROM.
- 2 Quand l'écran d'introduction apparaît, cliquez sur **Installer le logiciel** pour continuer.
- 3 Lorsque l'écran de bienvenue apparaît, cliquez sur **Suivant** pour continuer. Si le CD ne démarre pas automatiquement, sélectionnez **Démarrer** dans la barre des tâches Windows® puis **Exécuter**. Tapez alors **D:\Setup.exe** et cliquez sur **OK** – où **D:\** correspond à votre lecteur de CD-ROM).
- 4 Après avoir lu l'avertissement, sélectionnez **I accept the terms of the Disclaimer (J'accepte les termes de cet avertissement)** et cliquez sur **Suivant** pour continuer.
- 5 L'écran **Device Driver Installation (Installation du pilote)** s'affiche. Cliquez sur **Suivant** et suivez les instructions données à l'écran.
- 6 Lorsqu'on vous le demande, connectez le connecteur USB de votre contrôleur à votre ordinateur, puis cliquez sur **Configure (Configurer)** et **Continue Anyway (Continuer de toute façon)**. Suivez les instructions données à l'écran jusqu'à l'écran **Controller Properties (Propriétés du contrôleur)**.
- 7 Une fois l'écran **Controller Properties** affiché, cliquez sur **Suivant** pour afficher l'écran **Test**.
- 8 Testez maintenant toutes les touches et commandes de votre contrôleur pour vérifier qu'il fonctionne correctement. Une fois terminé, cliquez sur **OK**.
- 9 A l'écran **Programming Software (Logiciel de programmation)**, cliquez sur **Typical User (Usager typique)** puis sur **Suivant**.
- 10 A l'écran **Registration (Enregistrement)**, sélectionnez **Register my Saitek controller online (Enregistrer en ligne mon contrôleur Saitek)** et suivez les instructions données à l'écran ou sélectionnez **Register Later (Enregistrer plus tard)** et cliquez sur **Suivant**.
- 11 Cliquez sur **Terminer** pour terminer l'installation. Vous pouvez maintenant utiliser votre contrôleur Saitek pour vos jeux préférés.

### **Installation complète (Pilotes et logiciel de programmation)**

Cette procédure va installer les pilotes et le logiciel de programmation Saitek Smart Technology de votre contrôleur Saitek.

- 1 Suivez les points 1 à 7 de la procédure d'*installation rapide (pilotes uniquement)*. A l'écran **Programming Software (Logiciel de programmation)**, sélectionnez **Advanced User (Utilisateur avancé)** et cliquez sur **Suivant**.
- 2 A l'écran **Programmable Controller Drivers (Pilotes du contrôleur programmable)**, cliquez sur **Update (Mise à jour)** et suivez les instructions données à l'écran. Vous êtes alors invité(e) à installer des fonctions telles que la souris Saitek Magic Mouse ou le clavier Saitek Magic Keyboard (c'est le nom que XP donne aux différents éléments de votre contrôleur Saitek). Cliquez toujours sur **Suivant**, **Continuer de toute façon** et **Terminer** pour accepter l'installation jusqu'à ce que vous obteniez le message **Installation of programming software successful (Installation réussie du logiciel de programmation)**.
- 3 Une fois ce message affiché, appuyez sur **Suivant**.

- 4 A l'écran **Registration (Enregistrement)**, sélectionnez **Register (Enregistrer)** et suivez les instructions données à l'écran ou sélectionnez **Register Later (Enregistrer plus tard)** et cliquez sur **Suivant**.
- 5 A la fin du processus d'installation, vous aurez la possibilité d'exécuter l'éditeur de profil (**Run Profile Editor**), ce qui vous permettra de visualiser en 3D votre environnement de programmation. Si vous ne voulez pas exécuter l'éditeur de profil, cliquez simplement sur **Terminer** pour compléter le processus d'installation. Vous pouvez maintenant utiliser votre contrôleur Saitek pour vos jeux préférés.

Pour un guide complet sur la programmation de votre contrôleur Saitek, veuillez visiter le site web Saitek à l'adresse suivante : [www.saitek.com](http://www.saitek.com).

## INSTALLATION POUR LES UTILISATEURS DE WINDOWS® 2000

### *Installation rapide (Pilotes uniquement)*

Cette procédure ne permettra d'installer **QUE** les pilotes de votre contrôleur Saitek. L'installation complète (ci-dessous) permettra d'installer les pilotes et le logiciel de programmation Saitek Smart Technology de votre contrôleur Saitek.

- 1 L'ordinateur allumé, fermez tous les programmes en cours d'exécution et insérez le CD Saitek Smart Technologie dans votre lecteur de CD-ROM.
- 2 Quand l'écran d'introduction apparaît, cliquez sur **Installer le logiciel** pour continuer.
- 3 Lorsque l'écran de bienvenue apparaît, cliquez sur **Suivant** pour continuer. Si le CD ne démarre pas automatiquement, sélectionnez **Démarrer** dans la barre des tâches Windows® puis **Exécuter**. Tapez alors **D:\Setup.exe** et cliquez sur **OK** – où **D:\** correspond à votre lecteur de CD-ROM).
- 4 Après avoir lu l'avertissement, sélectionnez **I accept the terms of the Disclaimer (J'accepte les termes de cet avertissement)** et cliquez sur **Suivant** pour continuer.
- 5 L'écran **Device Driver Installation (Installation du pilote)** s'affiche. Cliquez sur **Suivant** et suivez les instructions données à l'écran.
- 6 Lorsqu'on vous y invite, branchez le connecteur USB de votre contrôleur à votre ordinateur puis cliquez sur **Configure (Configurer)**.
- 7 Une fois l'écran **Controller Properties** affiché, cliquez sur **Suivant** pour afficher l'écran **Test**.
- 8 Testez maintenant toutes les touches et commandes de votre contrôleur pour vérifier qu'il fonctionne correctement. Une fois terminé, cliquez sur **OK**.
- 9 A l'écran **Programming Software (Logiciel de programmation)**, cliquez sur **Typical User (Usager typique)** puis sur **Suivant**.
- 10 A l'écran **Registration (Enregistrement)**, sélectionnez **Register my Saitek controller online (Enregistrer en ligne mon contrôleur Saitek)** et suivez les instructions données à l'écran ou sélectionnez **Register Later (Enregistrer plus tard)** et cliquez sur **Suivant**.
- 11 Cliquez sur **Terminer** pour terminer l'installation. Vous pouvez maintenant utiliser votre contrôleur Saitek pour vos jeux préférés.

### *Installation complète (Pilotes et logiciel de programmation)*

Cette procédure va installer les pilotes et le logiciel de programmation Saitek Smart Technology de votre contrôleur Saitek.

- 1 Suivez les points 1 à 7 de la procédure d'installation rapide (pilotes uniquement). A l'écran **Programming Software (Logiciel de programmation)**, sélectionnez **Advanced User (Utilisateur avancé)** et cliquez sur **Suivant**.
- 2 A l'écran **Programmable Controller Drivers (Pilotes du contrôleur programmable)**, cliquez sur **Update (Mise à jour)** et suivez les instructions données à l'écran.
- 3 A l'écran **Installation of programming software successful (Installation réussie du logiciel de programmation)**, cliquez sur **Suivant**.

- 4 A l'écran **Registration (Enregistrement)**, sélectionnez **Register (Enregistrer)** et suivez les instructions données à l'écran ou sélectionnez **Register Later (Enregistrer plus tard)** et cliquez sur **Suivant**.
- 5 A la fin du processus d'installation, vous aurez la possibilité d'exécuter l'éditeur de profil (**Run Profile Editor**), ce qui vous permettra de visualiser en 3D votre environnement de programmation. Si vous ne voulez pas exécuter l'éditeur de profil, cliquez simplement sur **Terminer** pour compléter le processus d'installation. Vous pouvez maintenant utiliser votre contrôleur Saitek pour vos jeux préférés.

Pour un guide complet sur la programmation de votre contrôleur Saitek, veuillez visiter le site web Saitek à l'adresse suivante : [www.saitek.com](http://www.saitek.com).

## INSTALLATION POUR LES UTILISATEURS DE WINDOWS® 98 ET ME

### *Installation rapide (Pilotes uniquement)*

Cet assistant va vous permettre d'installer uniquement les pilotes pour votre contrôleur.

- 1 L'ordinateur allumé, fermez toutes les programmes actifs et insérez le CD Saitek Smart Technology dans votre lecteur de CD-Rom.
- 2 Quand l'écran d'introduction apparaît, cliquez sur **Installer le logiciel** pour continuer.
- 3 Dans le premier écran qui s'affiche, cliquez sur **Suivant** pour continuer. (Si après avoir inséré le CD, cet écran ne s'affiche pas, sélectionnez **Démarrer** dans la barre des tâches Windows®, puis **Exécuter**. Tapez alors **D:\Setup.exe** et cliquez sur **OK**).
- 4 Après avoir lu et accepté l'avertissement, cliquez sur **Suivant** pour continuer.

**NB :** Votre contrôleur ne fonctionnera que la version 8.1 (ou une version plus récente) de Microsoft® DirectX® a été installée sur votre ordinateur. Cet assistant d'installation détectera automatiquement si une version de ce logiciel a déjà été installée. Vous aurez également la possibilité, si nécessaire, d'installer ce logiciel directement à partir du CD Saitek Product Companion.

Si l'assistant vous invite à installer Microsoft® DirectX® 8.1, cliquez sur **Installer** et suivez les instructions données à l'écran. Redémarrez votre ordinateur lorsqu'on vous y invite. **Vérifiez que votre CD Saitek est dans votre lecteur de CD-Rom avant de redémarrer votre ordinateur.** Une fois ce logiciel installé, l'installation de votre pilote reprend automatiquement à l'étape suivante.

- 5 Suivez les instructions à l'écran et, lorsqu'on vous y invite, sélectionnez **Oui**, je veux redémarrer mon ordinateur maintenant.
- 6 Après avoir redémarré l'ordinateur, l'écran d'**Installation du pilote du périphérique** s'affiche. Cliquez sur **Suivant** et suivez les instructions données à l'écran.
- 7 Lorsqu'on vous y invite, connectez votre contrôleur au port USB de votre ordinateur.
- 8 L'écran **Propriétés du contrôleur** s'affiche. Cliquez sur **Suivant** pour afficher l'écran **Test**.
- 9 Testez alors les touches et les commandes de votre contrôleur et vérifiez que celui-ci fonctionne correctement. Une fois terminé, cliquez sur **OK**.
- 10 A l'écran **Logiciel de programmation**, sélectionnez **Utilisateur type** puis cliquez sur **Suivant**.
- 11 A l'écran d'**Enregistrement**, sélectionner **Enregistrer en ligne mon contrôleur Saitek**, cliquez sur **Suivant** et suivez les instructions données à l'écran ou sélectionnez **Enregistrer plus tard** et cliquez sur **Suivant**.
- 12 Cliquez sur **Terminer** pour terminer l'installation. Vous pouvez maintenant utiliser votre contrôleur avec tous vos jeux préférés.

### ***Installation complète (Pilotes et logiciel de programmation)***

Cette option va vous permettre d'installer les pilotes et le logiciel de programmation Saitek Smart Technology de votre contrôleur Saitek.

- 1 Suivez les étapes d'installation 1 à 8 de l'Installation rapide (pilotes uniquement) puis, à l'écran du logiciel de programmation, sélectionnez **Usager avancé** et cliquez sur **Suivant**.
- 2 A l'écran **Pilotes du contrôleur programmable**, cliquez sur **Mise à jour** et suivez les instructions données à l'écran. Vous êtes alors invité à insérer le CD Windows®. **NE PAS** insérer le CD mais cliquez simplement sur **OK**. A l'écran suivant, tapez **C:\windows\system** dans l'invite, cliquez sur **OK** et suivez les instructions données à l'écran.
- 3 A l'écran **Installation réussie du logiciel de programmation**, cliquez sur **Suivant**.
- 4 A l'écran d'**Enregistrement**, sélectionnez **Enregistrer en ligne mon contrôleur Saitek**, cliquez sur **Suivant** et suivez les instructions données à l'écran ou sélectionnez **Enregistrer plus tard** et cliquez sur **Suivant**.
- 5 Une fois l'installation terminée, vous pourrez alors, si vous le désirez, **Exécuter l'éditeur de profil**, ce qui vous permettra de visualiser en 3 dimensions votre environnement de programmation. Si vous ne désirez pas exécuter l'éditeur de profil, il vous suffit de désactiver la case à cocher et de cliquer sur **Terminer** pour achever l'installation. Vous pouvez désormais utiliser votre contrôleur Saitek avec vos jeux préférés.

Pour un guide de programmation complet de votre contrôleur Saitek, veuillez visiter le site web Saitek à l'adresse suivante : [www.saitek.com](http://www.saitek.com).

### ***Installation du logiciel de programmation à une date ultérieure***

Si vous avez choisi *Installation rapide (Pilotes uniquement)*, il se peut que vous ayez envie d'installer le logiciel de programmation **Saitek Smart Technology** une fois que vous aurez maîtrisé votre nouveau contrôleur. Pour ce faire, réinstallez simplement votre contrôleur en sélectionnant l'option *Installation complète (Pilotes et Logiciel de programmation)*.

## **PROGRAMMATION DE VOTRE CONTRÔLEUR SAITEK À L'AIDE DU LOGICIEL SAITEK SMART TECHNOLOGY**

### ***Introduction au logiciel de programmation Saitek Smart Technology***

Le logiciel de programmation Saitek Smart Technology (ou SST) est le logiciel fourni avec votre contrôleur pour vous permettre d'améliorer encore plus les fonctionnalités de votre produit Saitek. SST met en effet à votre disposition une série d'outils puissants qui vous permettent de programmer entièrement votre contrôleur, pour une configuration personnalisée. Malgré un degré de sophistication jusqu'ici inégalé sur le marché, le logiciel reste cependant simple et facile à utiliser grâce à la technologie intelligente développée par Saitek.

### **Caractéristiques du logiciel de programmation Smart Technology :**

- Installation rapide et facile, quel que soit le jeu
- Possibilité de personnaliser les configurations de votre contrôleur pour vos jeux préférés
- Configuration du contrôleur à l'aide d'une interface graphique et d'un modèle en 3D
- Option "configuration multiple" pour chaque contrôleur – idéal si le contrôleur est utilisé par plusieurs personnes
- Possibilité de programmer des mouvements spécifiques avec des caractéristiques de minutage sophistiquées
- Paramètres de jeux (ou "profils") disponibles sur le site Web de Saitek
- Possibilité de télécharger la mise à jour du logiciel Saitek Smart Technology à partir du site Web de Saitek

### **Qu'est-ce qu'un Profil de jeu ?**

Un **Profil de jeu** est un fichier de configuration qui améliore votre jouabilité : c'est une série de commandes qui affecte aux boutons et manettes de votre contrôleur une action pré-programmée. Plus de 200 profils sont disponibles sur le *Product Companion Disk* fourni avec cet appareil ou sur le site Internet de Saitek – [www.saitek.com](http://www.saitek.com). (Sur notre site web, qui est régulièrement mis à jour, vous trouverez les tout derniers profils et des profils améliorés).

### **Comment programmer mon contrôleur ?**

Une fois familiarisé(e) avec votre contrôleur, vous pourrez commencer à créer vos propres Profils de jeu à l'aide du logiciel de programmation Saitek Smart Technology (SST). Ce logiciel vous permet d'utiliser des fonctionnalités de programmation quasiment illimitées et de personnaliser votre contrôleur en fonction de vos besoins précis pour chaque jeu.

L'Editeur de profil vous permet de programmer toutes les touches de votre joystick de façon à ce qu'elles effectuent des actions spécifiques dans chaque jeu. Cette fonctionnalité est particulièrement utile si le jeu que vous utilisez ne comporte pas d'écran permettant de configurer les touches de votre contrôleur.

### **Introduction**

- 1 Double-cliquez sur l'icône Saitek Smart Technology à gauche de votre bureau.
- 2 Dans l'**Editeur de profil**, sélectionnez les commandes que vous désirez assigner à chaque commande du clavier. Pour cela, cliquez à gauche sur la cellule de commande dans la liste des commandes située à droite de l'écran.
- 3 Lorsque le curseur clignote, tapez les commandes du clavier. Une fois terminé, cochez la case verte.
- 4 Répétez l'opération pour les autres touches à programmer et cliquez sur **Fichier, Enregistrer** en haut de la fenêtre **Editeur de profil**.
- 5 Donnez un nom au profil (nous vous recommandons de lui donner le nom du jeu pour lequel le profil est destiné) puis cliquez sur **Enregistrer**.
- 6 Pour activer le profil, cliquez sur l'icône **Activer le profil maintenant** en haut de l'Editeur de profil (l'icône ressemble à un viseur noir et jaune) ou cliquez à droite sur l'icône de votre contrôleur dans la barre des tâches et sélectionnez le nom du profil dans le menu déroulant.
- 7 Vous remarquerez que lorsqu'un profil est chargé, l'icône du contrôleur dans votre barre des tâches apparaît avec, derrière elle, un carré vert. Ceci indique qu'un profil est actuellement chargé. Si vous désirez désactiver un profil déjà chargé, il vous suffit de cliquer à droite sur l'icône du contrôleur et de cliquer sur **Désactiver le profil** dans le menu déroulant.
- 8 Pour un guide de programmation complet de votre contrôleur Saitek, veuillez visiter le site web Saitek à l'adresse suivante : [www.saitek.com](http://www.saitek.com).

Pour un guide complet sur la programmation de votre contrôleur Saitek, veuillez visiter le site web Saitek à l'adresse suivante : [www.saitek.com](http://www.saitek.com).

## **ASSISTANCE TECHNIQUE**

### **Ça ne marche pas ... Pas de panique, nous sommes là pour vous aider !**

Saviez-vous que la quasi-totalité des produits qui nous sont renvoyés comme "défectueux" ont en fait été tout simplement mal installés ?

Si vous avez un problème technique avec ce produit, veuillez donc visiter notre site Internet ou contacter une personne de notre équipe technique : nous serons ravis de vous aider.

Notre site Internet [www.saitek.com](http://www.saitek.com) est conçu pour vous aider à apprécier votre produit Saitek aux meilleures de ses performances. Si malgré cela, vous n'arrivez pas à résoudre votre problème, nos équipes de spécialistes dans le monde sont à votre disposition pour vous conseiller et vous aider. Les numéros de contact figurent dans la liste des Centres d'assistance fournie avec ce produit : n'hésitez pas à nous appeler pour toute question ou tout problème.

### **Le site Saitek**

Si vous avez accès à Internet, vous pourrez probablement trouver la réponse à vos questions techniques en visitant notre site web à l'adresse suivante :

**www.saitek.com**

La section "Assistance technique" vous fournira toutes les informations nécessaires pour profiter au maximum de votre contrôleur. Elle vous permettra de résoudre tout problème technique que vous pourriez avoir et de télécharger les profils de jeux les plus récents.

Ce site est régulièrement mis à jour. Vous y trouverez les informations suivantes :

- Les produits actuels et à venir
- Mises à jour des pilotes
- Les profils de jeux (Fichiers de configuration)
- Des liens vers d'autres sites utiles

### **Contacter Saitek**

Si vous n'avez pas accès à Internet, ou si vous ne trouvez pas la réponse à votre question sur notre site, vous pourrez alors contacter une équipe locale d'assistance technique.

Cependant, avant de la contacter, voici quelques conseils qui vous aideront à nous aider :

- Assurez-vous que vous avez suivi toutes les étapes décrites dans ce manuel
- Vérifiez que votre contrôleur est correctement connecté à votre ordinateur
- Assurez-vous que votre PC fonctionne normalement

Chez Saitek, nous aspirons à offrir à nos clients un service technique complet et soigné. Aussi, avant de nous appeler, veuillez lire les points suivants afin de vous assurer que vous disposez de toutes les informations nécessaires pour nous aider à vous aider.

- 1 Connaître le problème** – assurez-vous que vous avez une idée précise de votre problème et que vous pouvez décrire les événements qui l'occasionnent.
- 2 Consultez le chapitre Résolution des problèmes** – vérifiez que votre problème ne figure pas dans la partie Résolution des problèmes de ce manuel.
- 3 Connaître son matériel** – si possible, soyez en possession des informations suivantes :
  - La marque et le modèle de l'ordinateur que vous utilisez
  - Le nom et la version du jeu que vous utilisiez quand vous avez commencé à avoir des problèmes
  - La marque et le modèle de votre carte mère
  - La marque et le modèle de votre carte son
- 4 Soyez prêts** – Si possible, essayez d'appeler lorsque vous êtes devant votre ordinateur avec toutes les informations et tout le matériel nécessaires. Si vous avez un problème particulier avec un jeu ou un programme, assurez-vous que celui-ci est chargé.
- 5 Soyez patients** – nous faisons de notre mieux pour répondre aux demandes le plus rapidement possible. Il sera parfois nécessaire de référer votre question à un spécialiste. Ne soyez donc pas trop impatients !

Pour contacter votre équipe locale d'assistance technique, veuillez consulter la fiche des Centres d'assistance technique fournie avec votre produit.



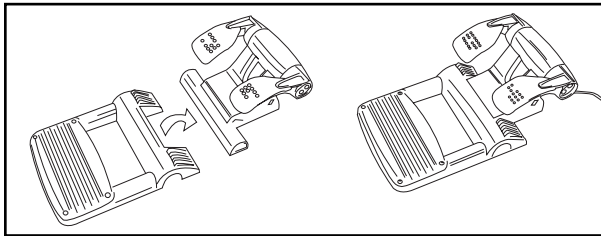
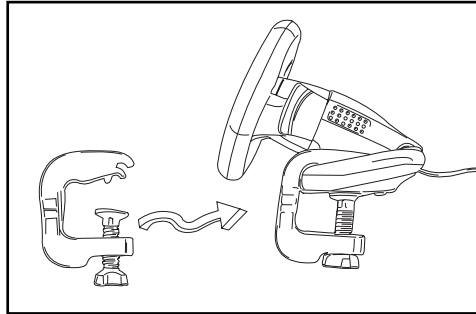
## SAITEK R440 FORCE WHEEL

Das Saitek R440 Force Wheel ist der neue Maßstab für Force Feedback Lenkräder. Sein faszinierendes Design und die patentierte Immersion® TouchSense™ -Technologie machen aus R440 ein Lenkrad, das für realistische Rennerlebnisse der Spitzenklasse sorgt. Die Force Feedback Technologie bringt Sie direkt auf die Rennstrecke – Sie spüren jede Kurve, jeden Bodenbelag und jeden Crash. Hinzu kommen ein komplettes Funktionspaket und geniale, neue Pedale, die mehr Kontrolle garantieren!

## LOS GEHT'S

Hinweis: Bitte installieren Sie ZUERST die Software und schliessen Sie R440 Force Wheel erst später an, sobald Sie dazu aufgefordert werden.

- 1 Bevor Sie Ihr R440 Force Wheel an den PC anschliessen, sollten Sie das Lenkrad zuerst mit dem Netzadapter verbinden und die Stromversorgung sicherstellen. Der Anschluss befindet sich auf der Vorderseite neben dem USB Kabel.
- 2 Befestigen Sie die Tischklemme am Lenkrad wie abgebildet.
- 3 Stellen Sie das Lenkrad an den Rand Ihres Schreibtisches und drehen Sie die Klemmschraube im Uhrzeigersinn bis es sicher befestigt ist. Nicht zu fest anziehen!
- 4 Stecken Sie das Kabel der Pedaleinheit in das Lenkrad und versichern Sie sich, dass die Verbindung fest ist.
- 5 Setzen Sie beide Komponenten der Pedaleinheit zusammen. Stellen Sie nun die komplette Pedaleinheit auf den Boden.



### Saitek Smart Technology Software

Die Saitek Smart Technology Software wurde von Saitek für unsere High-End Controller entwickelt. Diese Software beinhaltet alle Gerätetreiber für diese Produkte und eine optionale Programmiersoftware. Betrachtet man diese getrennt, stellt die Smart Technology Software zwei Arten der Installation bereit um den individuellen Ansprüchen der unterschiedlichen Spieler gerecht zu werden. So kann eine noch größere Anzahl von Spielern die hochqualitativen Saitek Controller nutzen.

Bei der Schnellinstallation werden nur die Produkttreiber geladen (diese sind Voraussetzung um den Controller zu nutzen!). Diese Art der Installation ist besonders für den ungeübten oder durchschnittlichen Spieler geeignet. Die Installation ist sehr einfach und im Null Komma nichts ist Ihr Controller spielbereit.

Bei der Komplettinstallation werden die Produkttreiber und die Saitek Smart Technologie-Software

geladen. Diese Art der Installation eignet sich besonders für den fortgeschrittenen Spieler. Die Saitek Programmiersoftware bietet Ihnen eine Vielzahl von verschiedenen Funktionen damit Sie Ihren Controller nach Belieben konfigurieren können. Obwohl die Software besonders für erfahrene Spieler empfohlen ist, kann sie von weniger erfahrenen Spielern auch zu einem späteren Zeitpunkt noch installiert werden. So hat der durchschnittliche Spieler die Möglichkeit, seinen Controller zunächst besser kennenzulernen.

## INSTALLATION UNTER WINDOWS® XP

### ***Basisinstallation (nur Treiber)***

Mit dieser Installation richten Sie NUR Treiber für Ihren Controller ein. Die volle Installation wird separat beschrieben und richtet Software + Treiber ein.

**WICHTIG:** bitte schliessen Sie Ihren Controller ERST NACH DER INSTALLATION an.

- 1 Schalten Sie Ihren PC ein, und schliessen Sie alle laufenden Programme. Legen Sie die Saitek Smart Technology CD in Ihr CD-ROM-Laufwerk.
- 2 Wenn das Start-Fenster erscheint, klicken Sie bitte auf SOFTWARE INSTALLIEREN, um fortzufahren.
- 3 Bei der Einführung, klicken Sie auf WEITER, um zur Installation zu gelangen. Startet die CD nicht automatisch, rufen Sie diese unter START, AUSFÜHREN und dann mit Eingabe von **D:\Setup.exe** auf.
- 4 Haben Sie die Konditionen gelesen, akzeptieren Sie diese und klicken wieder WEITER.
- 5 Klicken Sie im nächsten Fenster auf WEITER, und folgen Sie den Bildschirmanweisungen.
- 6 Werden Sie dazu aufgefordert, schliessen Sie Ihren Controller an den PC an und klicken auf KONFIGURIEREN; dann auf WEITER. Folgen Sie wiederum den Anweisungen.
- 7 Im Fenster CONTROLLER EIGENSCHAFTEN klicken Sie auf WEITER, um zum TEST-FENSTER zu gelangen.
- 8 Hier können Sie alle Funktionen austesten und sehen, ob alles reagiert. Ist der Test beendet, bestätigen Sie mit OK.
- 9 Im Fenster PROGRAMMIERUNG wählen Sie die Option für normale Nutzung und klicken WEITER.
- 10 Unter REGISTRIERUNG können Sie auswählen, ob Sie sich sofort oder später registrieren wollen. Klicken Sie WEITER.
- 11 Um die Installation zu beenden, klicken Sie auf FERTIGSTELLEN. Ihr Saitek Controller ist nun spielbereit!

### ***Volle Installation (Treiber und Programmiersoftware)***

Diese Installation richtet Treiber und Saitek's Software zur vollen Programmierbarkeit ein.

- 1 Führen Sie die oberen Schritte 1-7 aus bis das Fenster zur Einrichtung der Programmiersoftware erscheint. Wählen Sie hier die Option für fortgeschrittene Spieler und klicken Sie WEITER.
- 2 Im Fenster TREIBER klicken Sie auf Update und folgen den Anweisungen. Jetzt werden Sie gefragt, ob Sie Funktionen wie Saitek Magic Mouse oder Saitek Magic Keyboard installieren wollen (dies sind XP-Namen für einige Funktionen Ihres Controllers). Bestätigen Sie mit WEITER bis Sie mit FERTIGSTELLEN die Installation abschliessen. Sie erhalten die Meldung, dass die Installation erfolgreich abgeschlossen wurde.
- 3 Bestätigen Sie wiederum mit WEITER.
- 4 Unter REGISTRIERUNG können Sie auswählen, ob Sie sich sofort oder später registrieren wollen. Klicken Sie WEITER.
- 5 Nach Abschluss der Installation können Sie sofort den Profileditor starten – heisst die Programmierung beginnen. Entscheiden Sie, nicht sofort zu programmieren, klicken Sie FERTIGSTELLEN, um dies zu übergehen. Ihr Saitek Controller ist spielbereit.

Die komplette Anleitung zur Programmierung Ihres Saitek Controllers, finden Sie auf der Saitek homepage unter [www.saitek.de](http://www.saitek.de).

## INSTALLATION UNTER WINDOWS® 2000

### ***Basisinstallation (nur Treiber)***

Mit dieser Installation richten Sie NUR Treiber für Ihren Controller ein. Die volle Installation wird separat beschrieben und richtet Software + Treiber ein.

**WICHTIG:** bitte schliessen Sie Ihren Controller ERST NACH DER INSTALLATION an.

- 1 Schalten Sie Ihren PC ein, und schliessen Sie alle laufenden Programme. Legen Sie die Saitek Smart Technology CD in Ihr CD-ROM-Laufwerk.
- 2 Wenn das Start-Fenster erscheint, klicken Sie bitte auf SOFTWARE INSTALLIEREN, um fortzufahren.
- 3 Bei der Einführung, klicken Sie auf WEITER, um zur Installation zu gelangen. Startet die CD nicht automatisch, rufen Sie diese unter START, AUSFÜHREN und dann mit Eingabe von **D:\Setup.exe** auf.
- 4 Haben Sie die Konditionen gelesen, akzeptieren Sie diese und klicken wieder WEITER.
- 5 Klicken Sie im nächsten Fenster auf WEITER, und folgen Sie den Bildschirmanweisungen.
- 6 Werden Sie dazu aufgefordert, schliessen Sie Ihren Controller über den USB-Anschluss an den PC und klicken KONFIGURIEREN.
- 7 Im Fenster CONTROLLER EIGENSCHAFTEN klicken Sie auf WEITER, um zum TEST-FENSTER zu gelangen.
- 8 Hier können Sie alle Funktionen austesten und sehen, ob alles reagiert. Ist der Test beendet, bestätigen Sie mit OK.
- 9 Im Fenster PROGRAMMIERUNG wählen Sie die Option für normale Nutzung und klicken WEITER.
- 10 Unter REGISTRIERUNG können Sie auswählen, ob Sie sich sofort oder später registrieren wollen. Klicken Sie WEITER.
- 11 Um die Installation zu beenden, klicken Sie auf FERTIGSTELLEN. Ihr Saitek Controller ist nun spielbereit!

### ***Volle Installation (Treiber und Programmiersoftware)***

- 1 Folgen Sie den Schritten 1-7 der Basisinstallation, und wählen Sie dann die Option für fortgeschrittene Anwender. Bestätigen Sie mit WEITER.
- 2 Unter TREIBER, klicken Sie Update und folgen den Anweisungen.
- 3 Kommt die Meldung, dass die Installation erfolgreich war, klicken Sie WEITER.
- 4 Unter REGISTRIERUNG können Sie auswählen, ob Sie sich sofort oder später registrieren wollen. Klicken Sie WEITER.
- 5 Nach Abschluss der Installation können Sie sofort den Profileditor starten – heisst die Programmierung beginnen. Entscheiden Sie, nicht sofort zu programmieren, klicken Sie FERTIGSTELLEN, um dies zu übergehen. Ihr Saitek Controller ist dann sofort spielbereit.

Die komplette Anleitung zur Programmierung Ihres Saitek Controllers, finden Sie auf der Saitek homepage unter [www.saitek.de](http://www.saitek.de).

## INSTALLATION UNTER WINDOWS® 98 UND ME

### ***Schnellinstallation (nur Treiber)***

Mit dieser Installation richten Sie NUR Treiber für Ihren Controller ein. Die volle Installation wird separat beschrieben und richtet Software + Treiber ein.

**Bitte beachten Sie:** Bitte schließen Sie Ihren Saitek Controller erst dann an Ihren PC an, wenn Sie in der Installationsroutine dazu aufgefordert werden.

- 1 Schalten Sie Ihren Computer an, beenden Sie alle laufenden Programme und legen Sie die Saitek Smart Technologie CD in das CD ROM Laufwerk Ihres PCs.
- 2 Wenn das Start-Fenster erscheint, klicken Sie bitte auf SOFTWARE INSTALLIEREN, um fortzufahren.
- 3 Klicken Sie im ersten Fenster auf „Weiter“ um fortzufahren. (Falls die CD nicht automatisch gestartet wird, gehen Sie bitte auf „Ausführen“ im Windows®-Startmenü, geben Sie **D:\Setup.exe** ein und klicken Sie anschließend auf „OK“.)
- 4 Nachdem Sie die Nutzungsbedingungen des Herstellers gelesen haben, klicken Sie bitte auf „Weiter“ um fortzufahren.

**Bitte beachten:** Sie müssen mindestens Microsoft® Direkt® 8.1 (oder eine neuere Version) auf Ihrem Rechner installiert haben damit Ihren Saitek Controller funktionsbereit ist. Die Installationsroutine überprüft automatisch, ob diese Software noch installiert werden muss, und wird diese, falls notwendig, direkt von der Saitek Produkt CD laden.

Wenn Sie dazu aufgefordert werden Microsoft® Direkt® X8.1 zu installieren, klicken Sie bitte auf „Installieren“, folgen Sie anschließend den Bildschirmanweisungen und starten Sie danach Ihren PC neu. Bitte versichern Sie sich, dass sich die Saitek CD noch in Ihrem CD-ROM Laufwerk befindet, wenn Sie den PC neustarten. Sobald Direkt® X installiert ist, wird die Installation automatisch mit dem nächsten Schritt fortfahren.

- 5 Folgen Sie den Bildschirm-Anweisungen und wählen Sie „JA, ich möchte den Computer jetzt neustarten“, wenn diese Aufforderung erscheint.
- 6 Nach dem Neustart erscheint das Gerätetreiber-Installationsfenster. Klicken Sie auf **Weiter** und folgen Sie den Bildschirmanweisungen
- 7 Wenn die Installation abgeschlossen ist, stecken Sie bitte Ihren Controller am USB Anschluss Ihres Rechners an.
- 8 Erscheint das Fenster „**Controller Eigenschaften**“, klicken Sie bitte auf „**Weiter**“ um zum Test-Fenster zu gelangen.
- 9 Testen Sie nun, ob alle Tasten und Funktionen Ihres Saitek Controller richtig funktionieren. Danach klicken Sie auf „**OK**“.
- 10 Im Fenster „Programmiersoftware“ wählen Sie bitte „**durchschnittlicher Spieler**“ und klicken Sie danach auf „**Weiter**“.
- 11 Wählen Sie bitte im Registrierungsfenster **Registrierung meines Saitek Controllers Online**. Klicken Sie dann **Weiter** und folgen Sie den Bildschirmanweisungen oder wählen Sie **Später Registrieren** und klicken Sie **Weiter**.
- 12 Klicken Sie anschließend auf „**Fertigstellen**“ um die Installation zu beenden. Ihr Saitek Controller ist nun fertig installiert und spielbereit!

### **Komplette Installation (Treiber und Programmierungssoftware)**

Diese Installation wird den entsprechenden Treiber und die Saitek Smart Technology Programmierungssoftware für Saitek Controller installieren.

- 1 Folgen Sie **Punkt 1 – 8 der Schnellinstallation (Nur Treiber)**. Wählen Sie in dem Programmierungssoftware-Fenster dann **Fortgeschrittene Benutzer** aus und klicken Sie **Weiter**.
- 2 in dem Fenster Programmierbare Controller-Treiber klicken Sie Update und folgen Sie den Bildschirmanweisungen. An diesem Punkt werden Sie aufgefordert werden, eine Windows® CD einzulegen. Folgen Sie **NICHT** dieser Aufforderung, sondern klicken Sie einfach auf **OK**. Im nächsten Fenster tippen Sie **C:\windows\system** ein und klicken Sie **OK**. Folgen Sie den weiteren Anweisungen am Bildschirm.

- 3 Wenn das Fenster **Installation der Programmierungssoftware war erfolgreich** erscheint, klicken Sie **Weiter**.
- 4 Wählen Sie bitte im Registrierungs Fenster **Registrierung meines Saitek Controllers Online**. Klicken Sie dann **Weiter** und folgen Sie den Bildschirmanweisungen oder wählen Sie **Später Registrieren** und klicken Sie **Weiter**.
- 5 Nach der Installation haben Sie die **Option, den Profil-Editor zu starten**, der Ihnen die Programmierungsumgebung Ihres Controllers in einer 3dimensionalen Ansicht zeigt. Wenn Sie dies nicht wünschen, entfernen Sie das Häkchen in der Box und klicken Sie auf **Installation fertigstellen**. Ihr Saitek Controller ist nun zum Einsatz bereit.

Für eine komplette Anleitung, wie Sie Ihren Saitek Controller programmieren können, besuchen Sie bitte unsere Website **www.saitek.de**

### **Installation der Programmiersoftware zu einem späteren Zeitpunkt**

Wenn Sie zunächst die Schnellinstallation (nur Treiber ) ausgewählt haben, möchten Sie vielleicht zu einem späteren Zeitpunkt, wenn Sie sich mit Ihrem Saitek Cyborg 3D Rumble Force besser auskennen, die Saitek Smart Technologie Programmiersoftware installieren.

Um dies zu tun, müssen Sie einfach Ihren Controller erneut installieren und die **komplette Installation** (Treiber und Programmiersoftware) (Anleitung s.o.) wählen.

## **WIE SIE IHREN SAITEK CONTROLLER MIT DER SAITEK SMART TECHNOLOGY SOFTWARE PROGRAMMIEREN**

### **Einführung in die Programmiersoftware**

Saitek Smart Technology (SST) ist die Software, mit der Sie Ihren Saitek Controller unabhängig von den Einstellmöglichkeiten in den Spielen an Ihre eigenen Bedürfnisse anpassen können. Die SST beinhaltet eine Vielzahl von Funktionen, um so Ihr Eingabegerät mit der ultimativen Konfiguration zu versehen und maximalen Spielgenuss erreichen. Obwohl die SST sehr viele Möglichkeiten bietet, bleibt Sie dennoch einfach und intuitiv zu benutzen.

### **Eigenschaften der Smart Technology Programming Software:**

- Schnelle und leichte Konfiguration für jedes Spiel
- Passt den Controller optimal an Ihre Lieblingsspiele an
- Konfiguration des Eingabegeräts mit Hilfe eines 3D Modells und einer Benutzeroberfläche
- Mehrfachkonfigurationen sind für jeden Controller möglich - ideal falls der Controller von mehreren Personen verwendet wird
- Programmierung komplexer Eingaben mit umfangreichen Zeiteinstellungen
- Vorgefertigte Einstellungen für spezielle Spiele sind als „Profile“ auf der Saitek Webseite und auf der Smart Technology CD-ROM hinterlegt
- Die aktuellste Version der „Saitek Smart Technology“ Software finden Sie zum Download auf der Saitek Homepage.

### **Was ist ein Profil?**

Ein **Profil** ist eine spezielle Einstellung für verbesserten Spielablauf, bestehend aus einer Reihe von Befehlen, die den Buttons oder Achsen an Ihrem Controller im Voraus zugeteilt werden. Auf der dem Gerät beiliegenden Product Companion-CD oder auf der Saitek-Website, **www.saitek.com**, finden Sie über 200 fertige Profile. (Bitte schauen Sie auf der Website nach neuen oder verbesserten Profilen, die regelmäßig ergänzt werden).

### **Wie kann ich meinen Controller programmieren?**

Nachdem Sie sich mit Ihrem Saitek Controller besser vertraut gemacht haben, können Sie damit beginnen Ihre persönlichen Spielprofile mit der Saitek Smart Technologie Programmiersoftware (SST) zu erstellen. Diese Software stellt nahezu unbegrenzte Programmiermöglichkeiten zur

Verfügung und ermöglicht es, Ihren Saitek Controller an Ihre persönlichen Spielanforderungen anzupassen.

Mit dem Profileditor können Sie die Steuerelemente Ihres Eingabegerätes für verschiedenste Spiele oder Spielsituationen beliebig belegen. Das ist besonders hilfreich, wenn im Spiel selbst keine Konfigurationsmöglichkeit der Tasten zur Verfügung steht.

#### Und so geht's:

- 1 Doppelklicken Sie auf das Smart Technology Symbol in der Systemleiste auf Ihrem Desktop.
- 2 Im Profileditor wählen Sie eine Taste am Controller aus, der Sie einen Tastaturbefehl zuweisen wollen. Dies tun Sie, indem Sie in der Liste im rechten Teil des Bildschirms mit der Maus links klicken.
- 3 Daraufhin erscheint ein Fenster mit einem blinkenden Cursor auf dem Bildschirm. Betätigen Sie einfach die Tasten auf Ihrer Tastatur, die Sie der jeweiligen Controllertaste zuweisen wollen und klicken Sie auf den grünen Haken, wenn Sie fertig sind.
- 4 Wiederholen Sie diesen Vorgang für alle Tasten, die Sie programmieren möchten und klicken Sie dann auf **Datei speichern** im oberen Teil des Profileditors.
- 5 Benennen Sie das Profil nach Wunsch (in der Regel ist es sinnvoll das Profil nach dem jeweiligen Spiel, für das es bestimmt ist zu benennen) und klicken Sie anschließend auf **Speichern**.
- 6 Um das erstellte Profil im Spiel zu nutzen, klicken Sie auf **Profil aktivieren**, das sich oberen Bereich des Profileditors befindet (ein schwarzgelbes
- 7 Fadenkreuzsymbol), oder rechtsklicken Sie auf das Joystick-Symbol in Ihrer Taskleiste und wählen dann das Profil aus dem erscheinenden Menü aus.
- 8 Sie werden bemerken, dass sobald ein Profil aktiviert ist, das Joystick-Symbol in Ihrer Taskleiste grün hinterlegt ist. Wenn Sie ein Profil deaktivieren möchten, rechtsklicken Sie einfach auf das Joystick-Symbol und wählen **Profil löschen**.

Die komplette Anleitung zur Programmierung Ihres Saitek Controllers, finden Sie auf der Saitek homepage unter **www.saitek.de**.

## TECHNISCHER SUPPORT

### ***Probleme – keine Angst, wir lassen Sie nicht im Stich!***

Wussten Sie, dass fast alle Produkte, die als fehlerhaft an uns zurückgeschickt werden überhaupt nicht defekt sind? Sie wurden einfach nicht richtig installiert!

Sollten Sie Probleme mit diesem Produkt haben, besuchen Sie doch bitte unsere Website oder wenden Sie sich an einen unserer Mitarbeiter im Bereich Technischer Support. Wir helfen Ihnen gerne.

Unsere Website, **www.saitek.de**, wurde erstellt, damit Sie von Ihrem Saitek-Produkt die bestmögliche Leistung erhalten. Sollten Sie trotzdem noch Probleme haben, dann stehen Ihnen unsere Produktspezialisten in aller Welt zur Verfügung, die Sie telefonisch um Rat und Hilfe bitten können. Rufnummern und Adressen finden Sie auf der mit dem Produkt gelieferten Liste der Zentren für Technischen Support. Wir möchten, dass Sie viel Freude an Ihrem Gerät haben, bitte rufen Sie uns an, falls Sie Probleme oder Fragen haben.

### ***Die Saitek-Website***

Wenn Sie Zugang zum Internet haben, lassen sich viele technische Fragen oft schon durch einen Besuch auf der Saitek-Website beantworten.

#### **www.saitek.de**

Unter der Überschrift Technischer Support finden Sie jede Menge Tipps und Informationen, um das Beste aus Ihrem Controller zu holen und mögliche Probleme zu lösen, sowie die neuesten Spielkonfigurationen.

Die Website enthält auch Material, das in regelmäßigen Abständen aktualisiert wird, einschließlich Informationen über:

- aktuelle und demnächst lieferbare Produkte
- Treiber-Upgrades
- Konfigurationen für Spiele (Profile)
- Links zu nützlichen Websites

### **Wenn Sie sich an Saitek wenden müssen**

Wenn Sie keinen Zugang zum Internet haben oder wenn die Website Ihre Fragen nicht beantworten kann, dann müssen Sie sich an das Saitek-Team für Technischen Support wenden.

Aber bevor Sie das tun, hier noch ein paar Tipps, wie Sie uns helfen können Ihnen zu helfen:

- Vergewissern Sie sich, dass Sie alle in dieser Anleitung gezeigten Schritte befolgt haben
- Kontrollieren Sie, dass der Controller korrekt an den Computer angeschlossen ist
- Kontrollieren Sie, dass Ihr PC normal funktioniert

Wir bei Saitek bemühen uns allen unseren Kunden einen umfassenden und gründlichen Technischen Support zu bieten. Folgen Sie daher, bevor Sie uns anrufen, den nachstehend aufgeführten Richtlinien, um sicher zu sein, dass Sie alle Informationen zur Hand haben, die wir benötigen, um Ihnen helfen zu können.

- 1 Seien Sie sich über das Problem im Klaren** - Vergewissern Sie sich, dass Sie genau wissen welches Problem Sie haben, und dass Sie die Vorgänge beschreiben können, die zu diesem Problem geführt haben.
- 2 Lesen Sie die Richtlinien zur Fehlersuche und -beseitigung** – Kontrollieren Sie, dass Ihr Problem nicht bereits im Abschnitt Fehlersuche und -beseitigung dieser Anleitung behandelt wird.
- 3 Sie sollten Ihre Hardware kennen** - Falls möglich sollten Sie die folgenden Informationen zur Hand haben:
  - Marke und Modell des Computers, den Sie benutzen
  - Name und Version des Spiels, das Sie gespielt haben als die Probleme aufgetreten sind
  - Marke und Modell des Motherboards Ihres Computers
  - Marke und Modell der Soundcard Ihres Computers
- 4 Seien Sie bitte vorbereitet** - falls möglich, rufen Sie uns bitte an wenn Sie am Computer sitzen und alle relevanten Informationen und die Hardware zur Hand haben. Wenn Sie mit einem bestimmten Spiel oder einer bestimmten Applikation Probleme haben, sollten Sie sicherstellen, dass diese geladen ist.
- 5 Haben Sie bitte etwas Geduld** - Wir tun unser Möglichstes, um Kundenfragen so schnell wie möglich zu bearbeiten. Manchmal müssen wir Fragen jedoch an unsere Spezialisten weiterleiten. Bitte haben Sie etwas Geduld!

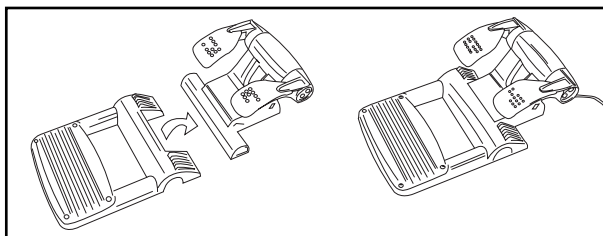
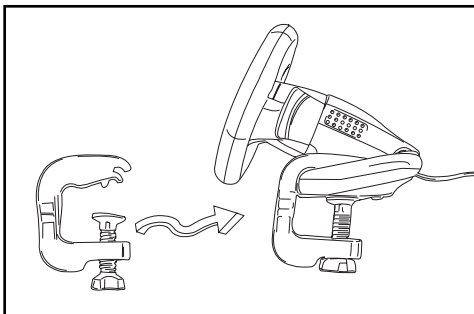
Auf dem gelben Informationsblatt, das mit diesem Produkt geliefert wurde, finden Sie Angaben über das für Sie zuständige nationale Saitek Support Center Support.

## SAITEK R440 FORCE WHEEL

Il Saitek R440 Force Wheel è la nuova forza nel campo dei volanti per PC. Grazie al design aerodinamico e alla tecnologia Touchsense™ brevettata di Immersion® all'interno, il Saitek R440 fornisce l'esperienza di gara più realistica al tuo PC. La tecnologia Force Feedback mette l'utente direttamente sul circuito di gara – e gli fa provare tutte le sensazioni delle varie fasi di gara. Se a questa tecnologia unite la serie completa di funzionalità, fra cui i pedali e le leve per il cambio di marcia, avete la soluzione di guida perfetta.

### ISTRUZIONI INIZIALI

- 1 Prima che collegare il controllore al suo PC, lei ha bisogno di collegarlo alla sua provvista principale che usando il dispositivo adattore di AC/DC (fornito). Questo collega al davanti dell'unità vicino al cavo di USB.
- 2 Collegate l'unità del volante principale e il fermo per la scrivania nel modo indicato nel diagramma.
- 3 Mettete l'unità del volante sul bordo della scrivania e girate la presa del fermo in senso orario fino a quando l'unità è fissata correttamente alla scrivania. Non serrate eccessivamente!
- 4 Inserisci il cavo dai pedali nella presa del volante, assicurandoti che la connessione si blocchi saldamente.
- 5 Collegate l'unità a pedale principale alla base dell'unità a pedale, in modo tale che scatti correttamente in posizione. Mettete poi tutta l'unità a pedale sul pavimento per ottenere la migliore posizione di guida.



### Software Saitek Smart Technology

Il software Saitek Smart Technology è il software che Saitek fornisce per le nostre periferiche di gioco di fascia alta. Il software Smart Technology comprende i driver di prodotto per le periferiche di gioco Saitek e per il software di programmazione opzionale. Tenendo i due separati, il software Smart Technology offre due tipi di installazione per soddisfare le esigenze dei singoli giocatori, con il risultato che un numero persino maggiore di giocatori può apprezzare questi prodotti di qualità Saitek.

L'installazione rapida carica soltanto i driver del prodotto (tutto il necessario per usare la periferica) ed è idonea per l'utente tipico o nuovo. Questa installazione è veloce e semplice e permette al giocatore di installare e giocare entro pochissimo tempo.

L'installazione completa carica i driver del prodotto e il software di programmazione Saitek Smart Technology ed è idonea per l'utente avanzato. Il software di programmazione fornisce un gruppo potente di funzionalità per la configurazione massima nel gioco. Anche se è consigliato per il giocatore stagionato, può essere installata in qualsiasi momento. Questo dà al giocatore tipico l'opportunità di conoscere la periferica prima di portare il gioco al livello successivo.



## INSTALLAZIONE PER GLI UTENTI DI WINDOWS® XP

### *Installazione rapida (Soltanto driver)*

Questa installazione installa **SOLTANTO** i driver per la periferica Saitek. L'Installazione Completa (sotto) installa i driver e il software di programmazione Saitek Smart Technology per la periferica Saitek.

**NB:** Non collegare la periferica Saitek fino a quando vi viene richiesto dal procedimento d'installazione.

- 1 Con il computer acceso, chiudete qualsiasi programma attualmente eseguito e inserite il CD Saitek Smart Technology nel drive del CD-ROM.
- 2 Quando appare la schermata introduttiva, seleziona **Installa software** per continuare.
- 3 Quando visualizzate la schermata di **Benvenuto**, fate clic su **Avanti** per continuare. (Se il CD non viene eseguito automaticamente selezionate **Avvio** in Windows®, quindi **Esegui** e digitate **D:\Setup.exe** e fate clic su **OK** - dove **D:\** è la lettera del vostro CD-ROM).
- 4 Dopo aver letto l'esonero, selezionate l'opzione **Accetto i termini dell'esonero** e fate clic su **Avanti** per continuare.
- 5 Alla schermata **Installazione driver periferica**, fate clic su **Avanti** e seguite le istruzioni a schermo.
- 6 Al prompt, inserite la spina del connettore USB della periferica nel computer, fate clic su **Configura** e **Continua Comunque**. Seguite le istruzioni a schermo fino a quando raggiungete la schermata **Proprietà periferica**.
- 7 Quando visualizzate la schermata **Proprietà periferica**, fate clic su **Avanti** per visualizzare la schermata **Test**.
- 8 Adesso provate tutti i pulsanti e comandi della periferica per controllare che funzionino correttamente. Quando avete finito, fate clic su **OK**.
- 9 Alla schermata **Software di programmazione**, selezionate **Utente tipico** e fate clic su **Avanti**.
- 10 Alla schermata **Registrazione**, selezionate **Registra la mia periferica Saitek online** e seguite le istruzioni a schermo o selezionate **Registra più tardi** e fate clic su **Avanti**.
- 11 Fate clic su **Finisci** per completare l'installazione. La vostra periferica Saitek adesso è pronta per l'uso con i vostri giochi preferiti.

### *Installazione completa (driver e software di installazione)*

Questa installazione installa i driver e il software di programmazione Saitek Smart Technology per la periferica Saitek.

- 1 Seguite i punti 1 – 7 della procedura di installazione in *Installazione rapida (Soltanto driver)*, poi alla schermata **Software Programmazione**, selezionate **Utente avanzato** e fate clic su **Avanti**.
- 2 Alla schermata **Driver Periferica Programmabile**, fate clic su **Aggiorna** e seguite le istruzioni a schermo. A questo tempo vi sarà chiesto di installare funzionalità come il Saitek Magic Mouse e Saitek Magic Keyboard (XP chiama così i vari elementi della periferica Saitek). Continuate a cliccare su **Avanti**, **Continua comunque** e **Finisci** per accettare l'installazione fino a quando visualizzate la schermata **Installazione del software di programmazione riuscita**.
- 3 Alla schermata **Installazione del software di programmazione riuscita**, fate clic su **Avanti**.
- 4 Alla schermata **Registrazione**, selezionate **Registra** e seguite le istruzioni a schermo o selezionate **Registra più tardi** e fate clic su **Avanti**.
- 5 Al completamento dell'installazione, avete l'opzione **Esegui Editor Profili**, che visualizza l'ambiente di programmazione 3D. Se non volete vedere l'Editor Profili a questo punto, fate clic su **Finisci** per completare l'installazione. La vostra periferica Saitek adesso è pronta per l'uso con i vostri giochi preferiti.

Per una guida completa sulla programmazione della periferica Saitek, visitate il sito web Saitek a [www.saitek.com](http://www.saitek.com).

## INSTALLAZIONE PER UTENTI DI WINDOWS® 2000

### **Installazione rapida (Soltanto driver)**

Questa installazione installa **SOLTANTO** i driver per la periferica Saitek. L'Installazione Completa (sotto) installa i driver e il software di programmazione Saitek Smart Technology per la periferica Saitek.

**NB:** Non collegare la periferica Saitek fino a quando vi viene richiesto dal procedimento d'installazione.

- 1 Con il computer acceso, chiudete qualsiasi programma attualmente eseguito e inserite il CD Saitek Smart Technology nel drive del CD-ROM.
- 2 Quando appare la schermata introduttiva, seleziona **Installa software** per continuare.
- 3 Quando visualizzate la schermata di **Benvenuto**, fate clic su **Avanti** per continuare. (Se il CD non viene eseguito automaticamente selezionate **Avvio** in Windows®, quindi **Esegui** e digitate **D:\Setup.exe** e fate clic su **OK** - dove **D:\** è la lettera del vostro CD-ROM).
- 4 Dopo aver letto l'esonero, selezionate l'opzione **Accetto i termini dell'esonero** e fate clic su **Avanti** per continuare.
- 5 Alla schermata **Installazione driver periferica**, fate clic su **Avanti** e seguite le istruzioni a schermo.
- 6 Al prompt, inserite il connettore USB della periferica nel computer, fate poi clic su **Configura**.
- 7 Quando visualizzate la schermata **Proprietà periferica**, fate clic su **Avanti** per visualizzare la schermata **Test**.
- 8 Adesso provate tutti i pulsanti e comandi della periferica per controllare che funzionino correttamente. Quando avete finito, fate clic su **OK**.
- 9 Alla schermata **Software di programmazione**, selezionate **Utente tipico** e fate clic su **Avanti**.
- 10 Alla schermata **Registrazione**, selezionate **Registra la mia periferica Saitek online** e seguite le istruzioni a schermo o selezionate **Registra più tardi** e fate clic su **Avanti**.
- 11 Fate clic su **Finisci** per completare l'installazione. La vostra periferica Saitek adesso è pronta per l'uso con i vostri giochi preferiti.

### **Installazione completa (Driver e software di programmazione)**

Questa installazione installa i driver e il software di programmazione Saitek Smart Technology per la periferica Saitek.

- 1 Seguite i punti 1 – 7 del processo d'installazione in *Installazione rapida (Soltanto driver)*, poi alla schermata **Software programmazione**, selezionate **Utente avanzato** e fate clic su **Avanti**.
- 2 Alla schermata **Driver periferica programmabili**, fate clic su **Aggiorna** e seguite le istruzioni a schermo.
- 3 Poi alla schermata **Installazione del software di programmazione riuscita**, fate clic su **Avanti**.
- 4 Alla schermata **Registrazione**, selezionate **Registra** e seguite le istruzioni a schermo o selezionate **Registra più tardi** e fate clic su **Avanti**.
- 5 Al completamento dell'installazione, avete l'opzione **Esegui Editor Profili**, che visualizza l'ambiente di programmazione 3D. Se non volete vedere l'Editor Profili a questo punto, fate clic su **Finisce** per completare l'installazione. La vostra periferica Saitek è così pronta per l'uso con i vostri giochi preferiti.

Per una guida completa sulla programmazione della periferica Saitek, visitate il sito web Saitek a [www.saitek.com](http://www.saitek.com).

## INSTALLAZIONE PER GLI UTENTI DI WINDOWS® 98 E ME

### *Installazione rapida (Soltanto driver)*

Questa installazione installa **SOLTANTO** i driver per la periferica Saitek. L'Installazione Completa (sotto) installa i driver e il software di programmazione Saitek Smart Technology per la periferica Saitek.

**NB:** Non collegare la periferica Saitek fino a quando non è richiesto dal procedimento d'installazione.

- 1 Con il computer acceso, chiudere tutti i programmi attualmente aperti e inserire il Saitek Smart Technology CD nel lettore di CD-ROM.
- 2 Quando appare la schermata introduttiva, seleziona **Installa software** per continuare.
- 3 Quando compare la prima schermata, fare clic su **Avanti** per continuare. (Se il CD non viene eseguito automaticamente, selezionare **Avvia** dal taskbar di Windows®, poi **Esegui** e digitare **D:\Setup.exe** e fare clic su **OK**).
- 4 Dopo aver letto e accettato l'Esonero di responsabilità, fare clic su **Avanti** per continuare.

**NB:** Affinché il periferica Saitek funzioni, si deve avere almeno Microsoft® DirectX® 8.1 installato sul computer. L'installatore riconosce automaticamente se questo software deve essere aggiunto e consente l'installazione diretta dal Saitek Product Companion CD, se necessario.

Se viene richiesto di installare Microsoft® DirectX® 8.1, fare clic su **Install** e seguire le istruzioni a schermo, e riavvia poi il computer quando viene richiesto. **Accertarsi di aver lasciato il Saitek CD nel lettore quando si riavvia il computer.** Quando questo software è installato, guida l'utente automaticamente all'installazione per passare allo stadio successivo.

- 5 Seguire le istruzioni a schermo e selezionare **Sì, voglio riavviare il mio computer** quando richiesto.
- 6 Dopo il riavvio, alla schermata **Installazione driver periferica**, fare clic su **Avanti** e seguire le istruzioni a schermo.
- 7 Quando viene richiesto, inserire il connettore USB della periferica nel PC.
- 8 Quando si visualizza la schermata **Proprietà Periferica**, fare clic su **Avanti** per visualizzare la schermata **Test**.
- 9 A questo punto provare tutti i pulsanti e i comandi del periferica Saitek per dimostrare che funzionano correttamente. Fare poi clic su **OK**.
- 10 Alla schermata **Software di programmazione**, selezionare **Utente tipico** e fare clic su **Avanti**.
- 11 Alla schermata **Registrazione**, selezionare **Registra la mia periferica di gioco Saitek online**, fare clic su **Avanti** e seguire le istruzioni a schermo o selezionare **Registra più tardi** e fare clic su **Avanti**.
- 12 Fare clic su **Finisce** per completare l'installazione. Il periferica Saitek adesso è pronto per l'uso con i giochi preferiti dell'utente.

### *Piena installazione (Driver e software di programmazione)*

Questa installazione installa i driver e il software di programmazione Saitek Smart Technology per la periferica di gioco Saitek.

- 1 Seguire i punti 1-8 della procedura d'installazione in **Installazione rapida (solo driver)**, poi alla schermata Software di programmazione, selezionare **Utente avanzato** e fare clic su **Avanti**.
- 2 Alla schermata **Driver Periferica Programmabili**, fare clic su **Aggiorna** e seguire le istruzioni a schermo. A questo punto vi viene chiesto di inserire il CD Windows®, però, **NON** farlo, e fare clic su **OK**. Alla schermata successiva digitare **C:\windows\system** nel prompt e fare clic su **OK** e seguire le istruzioni a schermo.

- 3 Alla schermata **Installazione di software di programmazione riuscita**, fare clic su **Avanti**.
- 4 Alla schermata **Registrazione**, selezionare **Registra la mia periferica di gioco Saitek online**, fare clic su **Avanti** e seguire le istruzioni a schermo o selezionare **Registra più tardi** e fare clic su **Avanti**.
- 5 Quando l'installazione è completa, potete **Eseguire Editor Profili**, che vi permette di visualizzare l'ambiente di programmazione in 3D. Se non volete vedere l'Editor Profili a questo punto, deselezionate la casella e cliccate su **Finisci** per completare l'installazione. La vostra periferica Saitek adesso è pronta per l'uso con i vostri giochi preferiti.

Per una guida completa su come programmare la periferica Saitek, visitare il sito web [www.saitek.com](http://www.saitek.com).

### **Installazione del software di programmazione successivamente**

Se si sceglie *Installazione rapida (solo driver)* si può scegliere di installare il software di programmazione **Saitek Smart Technology** dopo aver masterizzato il nuovo periferica Saitek. Per farlo, reinstallare semplicemente la periferica seguendo le istruzioni *Installazione completa (driver e software di programmazione)* fornite sopra.

## **PROGRAMMAZIONE DEL PERIFERICA DI GIOCO SAITEK CON IL SOFTWARE DI PROGRAMMAZIONE SAITEK SMART TECHNOLOGY**

### **Presentazione del software di programmazione Saitek Smart Technology**

Saitek Smart Technology Programming Software (SST) è il software fornito da Saitek per configurare la periferica di gioco Saitek per una migliore funzionalità. L'SST fornisce un gruppo potente di funzionalità e consente la programmazione della periferica di gioco con la configurazione migliore in senso assoluto per la totale interazione. Nonostante un livello di sofisticatezza mai visto prima sul mercato e grazie alla presenza della Saitek Smart Technology all'interno, il software è semplice e intuitivo da usare.

### **Funzionalità del software di programmazione Smart Technology**

- Rapida e facile configurazione in qualsiasi gioco
- Personalizzazione delle configurazioni della periferica per i vostri giochi preferiti
- Configurazione della periferica con un modello e un'interfaccia tridimensionale a schermo
- Opzione di configurazione multipla per ciascuna periferica – ideale se una periferica è utilizzata da diverse persone
- Mosse speciali di programmazione con funzionalità sofisticate per la determinazione dei tempi
- Configurazioni speciali di gioco disponibili come 'Profili' dal sito web Saitek e sul CD Smart Technology
- Scaricamento della versione più recente del software Saitek Smart Technology dal sito web Saitek

### **Definizione di un profilo**

Un **Profilo** è una configurazione personalizzata per un gioco migliore – comprendente un gruppo di comandi preassegnati ai pulsanti o agli assi della periferica di gioco. Il Product Companion Disk fornito con questa periferica e il sito Web di Saitek - [www.saitek.com](http://www.saitek.com) contengono oltre 200 profili prescritti. (Visitare il sito Web per avere profili nuovi o migliorati, che vengono aggiunti regolarmente).

### **Come programmo la mia periferica di gioco?**

Quando conosci tutte le parti della tua periferica di gioco, puoi iniziare a creare i tuoi profili personalizzati con il software di programmazione Saitek Smart Technology (SST). Questo software è dotato di capacità di programmazione virtualmente illimitate e ti consente di personalizzare la periferica secondo le tue esigenze di gioco precise.

Il Profile Editor ti consente di programmare i pulsanti sul joystick per eseguire diverse azioni con i tuoi giochi – ciò è particolarmente utile se il tuo gioco non è dotato di schermata incorporata che ti permette di riconfigurare i pulsanti.

### **Istruzioni iniziali**

- 1 Fare doppio clic sull'icona Saitek Smart Technology per l'installazione, sulla sinistra del desktop.
- 2 In **Editor Profili**, scegliere il comando a cui si desidera assegnare un comando della tastiera, facendo clic con il pulsante sinistro sulla cella di controllo nell'elenco di controllo sulla destra dello schermo.
- 3 Con il cursore che lampeggia, digitare i comandi e poi, per concludere, fare clic sulla spunta verde.
- 4 Ripetere questo procedimento per tutti i pulsanti che devono essere programmati e fare poi clic su **File, Salva** nella parte superiore della finestra **Editor Profili**.
- 5 Assegnare un nome al profilo (consigliamo di chiamarlo con il nome del gioco per cui il profilo è inteso) e fare poi clic su **Salva**.
- 6 Per abilitare il profilo, fare clic sull'icona **Profilo Adesso** nella parte superiore dell'Editor Profili (ha l'aspetto di un cursore a croce nero-giallo) o fare clic con il pulsante destro sull'icona della periferica nella barra degli strumenti e selezionare il nome del profilo dall'elenco a comparsa delle opzioni.
- 7 Quando un profilo viene caricato, dietro l'icona della periferica nella barra degli strumenti c'è un quadrato verde che indica che il caricamento di profilo è attualmente in corso. Per scaricare un profilo fare semplicemente clic con il pulsante destro sull'icona della periferica e fare clic su **Cancella Profilo** dall'elenco a comparsa delle opzioni.
- 8 Per una guida completa sulla programmazione della periferica Saitek, visitare il sito web Saitek [www.saitek.com](http://www.saitek.com).

Per una guida completa sulla programmazione della periferica Saitek, visitate il sito web Saitek a [www.saitek.com](http://www.saitek.com).

## **SUPPORTO TECNICO**

### ***Impossibile iniziare? Non preoccupatevi, siamo qui per assistervi!***

Sapevate che quasi tutti i prodotti restituiti a noi come difettosi non lo sono affatto – non sono stati semplicemente installati correttamente.

Perciò, se avete delle difficoltà con questo prodotto, visitate il nostro sito Web o contattate uno dei nostri addetti all'assistenza tecnica clienti che sarà lieto di assistervi.

Il nostro sito Web [www.saitek.com](http://www.saitek.com) è studiato per assistervi ad ottenere la prestazione ottimale dal vostro prodotto Saitek. E se avete ancora dei problemi, potete consultare i nostri team di specialisti del prodotto in tutto il mondo per richiedere consigli e assistenza. I particolari per i contatti sono forniti nell'elenco Centri Assistenza Tecnica allegato a questo prodotto. Saitek s'impegna ad assistervi ad ottenere il meglio dal vostro acquisto – chiamateci se avete difficoltà o per richiedere chiarimenti.

### ***Il sito Web di Saitek***

Se potete accedere a Internet, potete trovare la risposta a molte delle vostre domande tecniche visitando semplicemente il sito Web di Saitek a:

**[www.saitek.com](http://www.saitek.com)**

Nella sezione dell'assistenza tecnica troverete tutte le informazioni di cui avete bisogno per ottenere il meglio dalla periferica di gioco, risolvere qualsiasi problema e ottenere le più recenti configurazioni di gioco.

Il sito contiene inoltre materiale regolarmente aggiornato, comprendente informazioni su:

- Prodotti attuali e futuri
- Upgrade di driver
- Configurazioni gioco (profili)
- Link a siti utili

### **Come contattare Saitek**

Se non avete accesso ad Internet, o se il sito Web non può rispondere alla vostra domanda, rivolgetevi al vostro team Assistenza Tecnica Saitek locale.

Prima di contattare l'Assistenza Tecnica, ecco alcuni suggerimenti per assistervi ad assistervi:

- Accertatevi di aver seguito tutte le istruzioni fornite in questo manuale
- Controllate che la periferica di gioco sia correttamente collegata al computer
- Confermate che il PC funzioni normalmente

Saitek s'impegna a fornire l'assistenza tecnica completa e particolareggiata a tutti i suoi utenti. Prima di chiamarci, seguite le linee guida sotto per accertarvi di avere tutte le informazioni necessarie a disposizione.

- 1 Conoscere il problema** – accertatevi di avere i dati precisi sul problema che riscontrate e di saper descrivere gli eventi che l'hanno preceduto.
- 2 Controllare la guida per la soluzione dei problemi** – controllate che il problema non sia incluso nella sezione Risoluzione dei problemi di questo manuale.
- 3 Conoscere l'hardware** – se possibile, dovete avere le seguenti informazioni a portate di mano:
  - La marca e il modello del computer usato
  - Il nome e la versione del gioco usato quando avete riscontrato i problemi per la prima volta
  - La marca e il modello della scheda madre del computer
  - La marca e il modello della scheda audio del computer
- 4 Essere pronti** – se possibile cercate di telefonare mentre siete seduti davanti al computer e avete tutte le informazioni rilevanti e l'hardware a portata di mano. Se riscontrate dei problemi con un gioco o un'applicazione particolare, accertatevi di averlo(a) caricato(a).
- 5 Essere pazienti** – facciamo del nostro meglio per rispondere il più rapidamente possibile alle richieste di informazioni dei nostri clienti. A volte può essere necessario trasferire le richieste di informazioni al nostro personale specializzato. Siate pazienti!

Per contattare il vostro Centro Assistenza Tecnica Saitek di zona contattate i dati rilevanti sulla tabella separata dei Centri Assistenza Tecnica fornita nella confezione con questo prodotto.

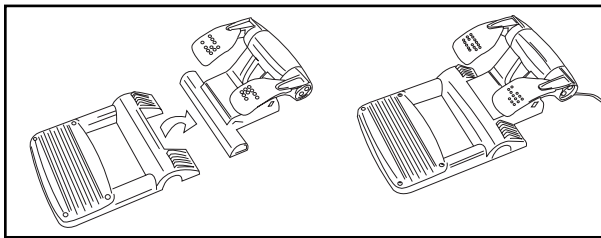
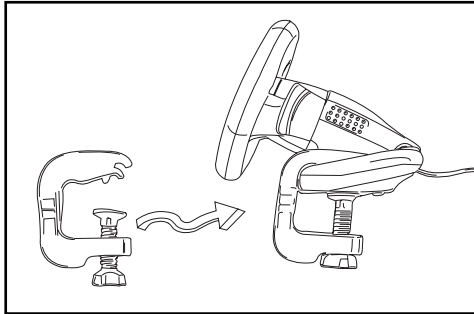
## SAITEK R440 FORCE WHEEL

El Volante de Potencia R440 de Saitek es nueva fuerza impulsora de los volantes para PC. Con su diseño estilizado y la tecnología Touchsense™ patentada por Immersion® incorporada, el R440 aporta la experiencia de carreras más real en su ordenador personal. La tecnología Force Feedback le coloca justo en la pista: sintiendo cada movimiento que hace en el juego. Añádase a esto una gama completa de funciones (incluyendo pedales y paletas de cambios de marcha) y tendrá la perfecta solución de conducción.

## CÓMO EMPEZAR

### *Puesta en marcha*

- 1 Antes de conectar el R440 Force Wheel al PC, Usted necesita conectarlo a su suministro de energía usando el adaptor AC/DC (incluido). Esto conecta al frente de la unidad al lado del cable USB.
- 2 Acoplar la unidad de volante principal y la abrazadera de escritorio como se muestra en el diagrama.
- 3 Colocar el volante en el borde del escritorio y girar la abrazadera hacia la derecha hasta que la unidad quede acoplada con seguridad al escritorio. ¡No apriete excesivamente!
- 4 Conecte el cable de los pedales en el volante. Asegúrese de que los conectores hacen click al enchufarlos.
- 5 Acoplar la unidad de pedal a la base de la unidad de pedal, asegurando que encaja firmemente en su posición. Luego colocar la unidad de pedal completa para su posición preferida de conducción.



### **Software Saitek Smart Technology**

El software Saitek Smart Technology es el software que suministra Saitek para nuestros controladores de juegos de alto nivel. El software Smart Technology comprende los impulsores de producto para estos controladores de Saitek y el software de programación **optativo**. Manteniendo ambos separados, el software Smart Technology ofrece dos tipos de instalación para ajustarse a las necesidades del jugador individual, lo que significa que incluso más jugadores pueden beneficiarse de estos productos de calidad de Saitek.

La *Instalación rápida* carga solamente los impulsores del producto (todo lo que hace falta para usar el controlador), lo que resulta adecuado para el **usuario normal** o nuevo. La instalación es rápida y sencilla y se podrá comenzar a jugar en muy poco tiempo.

La *Instalación completa* carga los impulsores del producto y el software de programación Saitek Smart Technology y está indicado para el **usuario avanzado**. El software de programación

aporta un conjunto potente de prestaciones para una configuración completa del juego. Si bien está recomendado para el jugador experimentado, se puede instalar en cualquier momento. Esto ofrece al usuario normal la posibilidad de familiarizarse con el controlador antes de pasar al siguiente nivel de juego.

## INSTALACIÓN PARA USUARIOS DE WINDOWS® XP

### **Instalación rápida (controladores solamente)**

Esta instalación **SÓLO** instalará los controladores del impulsor de Saitek. La instalación completa (más adelante) instalará los controladores y el software de programación Smart Technology de Saitek para su impulsor de esta marca.

**Nota:** Rogamos que no conecte el controlador de Saitek hasta que se indique lo mismo en el proceso de instalación.

- 1 Con el ordenador enchufado, cierre cualquier programa que esté en ejecución e inserte el CD de Smart Technology de Saitek en la unidad de CD-ROM.
- 2 Cuando aparezca la pantalla de introducción, pulse en **Instalar software** para continuar.
- 3 Cuando aparezca la pantalla de **Bienvenido** haga clic en **Siguiente** para continuar. (Si no se ejecuta automáticamente el CD, seleccione **Inicio** en la barra de tareas de Windows® y luego **Ejecutar** y teclee **D:\Setup.exe** y haga clic en **Aceptar**, asumiendo que **D:\** es la letra de su unidad de CD-ROM.)
- 4 Tras leer la Declaración de limitación de responsabilidad, seleccione **Acepto las condiciones de la Declaración de limitación de responsabilidad** y haga clic en **Siguiente** para proseguir.
- 5 En la pantalla de **Instalación de controlador de dispositivo** haga clic en **Siguiente** y siga las instrucciones de pantalla.
- 6 Cuando se le indique, enchufe el conector USB del controlador en el ordenador y luego haga clic en **Configurar** y luego en **Continuar de todas formas**. Siga las instrucciones de pantalla hasta que llegue a la pantalla de **Propiedades del controlador**.
- 7 Cuando aparezca la pantalla de **Propiedades del controlador** haga clic en **Siguiente** para visualizar la pantalla de **Prueba**.
- 8 Ahora pruebe todos los botones del controlador para comprobar que funcionan bien. Cuando haya terminado, haga clic en **Aceptar**.
- 9 En la pantalla de **Software de programación** seleccione **Usuario normal** y haga clic en **Siguiente**.
- 10 En la pantalla de **Registro** seleccione **Registrar mi controlador Saitek en-línea** y siga las instrucciones de línea o seleccione **Registrarse más adelante** y haga clic en **Siguiente**.
- 11 Haga clic en **Finalizar** para completar la instalación. El controlador de Saitek ya está listo para utilizar con sus juegos favoritos.

### **Instalación completa (controladores y software de programación)**

Esta instalación instalará los controladores y el software de programación Smart Technology de Saitek para el controlador de Saitek.

- 1 Siga los puntos 1 – 7 del proceso de instalación de la sección *Instalación rápida (controladores solamente)* y luego, en la pantalla **Software de programación**, seleccione **Usuario avanzado** y haga clic en **Siguiente**.
- 2 En la pantalla de **Impulsores de controladores programables** haga clic en **Actualizar** y siga las instrucciones de pantalla. En esta fase se le pedirá instalar prestaciones como el Ratón mágico de Saitek y el Teclado mágico de Saitek (esto es lo que XP denomina los diferentes elementos del controlador de Saitek). Prosiga haciendo clic en **Siguiente**, **Continuar de cualquier manera** y **Finalizar** para aceptar la instalación hasta que aparezca la pantalla de **El software de programación se ha instalado con éxito**.



- 3 En la pantalla de **El software de programación se ha instalado con éxito** haga clic en **Siguiente**.
- 4 En la pantalla de **Registro** seleccione **Registrar** y siga las instrucciones de pantalla o seleccione **Registrar más adelante** y haga clic en **Siguiente**.
- 5 Una vez completada la instalación, dispone de la opción de **Ejecutar el editor de perfiles**, que le aportará una visualización del entorno de programación 3D. Si no desea ver el editor de perfiles en este momento, sólo tiene que hacer clic en **Finalizar** para completar la instalación. El controlador de Saitek ya está listo para utilizar con sus juegos favoritos.

Para una guía completa de cómo programar el controlador de Saitek, visite el sitio web de Saitek [www.saitek.com](http://www.saitek.com).

## INSTALACIÓN PARA LOS USUARIOS DE WINDOWS® 2000

### *Instalación rápida (sólo para controladores)*

Esta instalación **SÓLO** instalará los controladores del impulsor de Saitek. La instalación completa (más adelante) instalará los controladores y el software de programación Smart Technology de Saitek para su impulsor de esta marca.

**Nota:** Rogamos que no conecte el controlador de Saitek hasta que se indique lo mismo en el proceso de instalación.

- 1 Con el ordenador enchufado, cierre cualquier programa que esté en ejecución e inserte el CD de Smart Technology de Saitek en la unidad de CD-ROM.
- 2 Cuando aparezca la pantalla de introducción, pulse en **Instalar software** para continuar.
- 3 Cuando aparezca la pantalla de **Bienvenido** haga clic en **Siguiente** para continuar. (Si no se ejecuta automáticamente el CD, seleccione **Inicio** en la barra de tareas de Windows® y luego **Ejecutar** y teclee **D:\Setup.exe** y haga clic en **Aceptar**, asumiendo que **D:\** es la letra de su unidad de CD-ROM.)
- 4 Tras leer la Declaración de limitación de responsabilidad, seleccione **Acepto las condiciones de la Declaración de limitación de responsabilidad** y haga clic en **Siguiente** para proseguir.
- 5 En la pantalla de **Instalación de controlador de dispositivo** haga clic en **Siguiente** y siga las instrucciones de pantalla.
- 6 Cuando se le indique, enchufe el conector USB del controlador en el ordenador y luego haga clic en **Configurar**.
- 7 Cuando aparezca la pantalla de **Propiedades del controlador** haga clic en **Siguiente** para visualizar la pantalla de **Prueba**.
- 8 Ahora pruebe todos los botones del controlador para comprobar que funcionan bien. Cuando haya terminado, haga clic en **Aceptar**.
- 9 En la pantalla de **Software de programación** seleccione **Usuario normal** y haga clic en **Siguiente**.
- 10 En la pantalla de **Registro** seleccione **Registrar mi controlador Saitek en-línea** y siga las instrucciones de línea o seleccione **Registrarse más adelante** y haga clic en **Siguiente**.
- 11 Haga clic en **Finalizar** para completar la instalación. El controlador de Saitek ya está listo para utilizar con sus juegos favoritos.

### *Instalación completa (controladores y software de programación)*

Esta instalación instalará los controladores y el software de programación Smart Technology de Saitek para el controlador de Saitek.

- 1 Siga los puntos 1 – 7 del proceso de instalación de la sección *Instalación rápida (controladores solamente)* y luego, en la pantalla **Software de programación**, seleccione **Usuario avanzado** y haga clic en **Siguiente**.

- 2 En la pantalla de **Impulsores de controladores programables** haga clic en **Actualizar** y siga las instrucciones de pantalla.
- 3 Luego, en la pantalla de **El software de programación se ha instalado con éxito** haga clic en **Siguiente**.
- 4 En la pantalla de **Registro** seleccione **Registrar** y siga las instrucciones de pantalla o seleccione **Registrar más adelante** y haga clic en **Siguiente**.
- 5 Una vez completada la instalación, dispone de la opción de Ejecutar el editor de perfiles, que le aportará una visualización del entorno de programación 3D. Si no desea ver el editor de perfiles en este momento, sólo tiene que hacer clic en Finalizar para completar la instalación. El controlador de Saitek ya está listo para utilizar con sus juegos favoritos.

Para una guía completa de cómo programar el controlador de Saitek, visite el sitio web de Saitek [www.saitek.com](http://www.saitek.com).

## INSTALLAZIONE PER UTENTI DI WINDOWS® 98 Y ME

### *Instalación rápida (sólo para controladores)*

Esta instalación **SÓLO** instalará los controladores del impulsor de Saitek. La instalación completa (más adelante) instalará los controladores y el software de programación Smart Technology de Saitek para su impulsor de esta marca.

**Nota:** Se ruega no conectar el controlador hasta que se pida en el proceso de instalación.

- 1 Con el ordenador encendido, cerrar cualquier programa actualmente en ejecución e insertar el CD Saitek Smart Technology en la unidad de CD-ROM.
- 2 Cuando aparezca la pantalla de introducción, pulse en **Instalar software** para continuar.
- 3 Cuando aparezca la primera pantalla, hacer clic en **Siguiente** para proseguir. (Si el CD no se ejecuta automáticamente, seleccionar **Inicio** en la barra de tareas de Windows® y luego **Ejecutar** y teclear **D:\Setup.exe** y hacer clic en **Aceptar**).
- 4 Tras leer y aceptar la Declinación de responsabilidad, hacer clic en **Siguiente** para proseguir.

**Nota:** Para que funcione su controlador, deberá tener como mínimo Microsoft® DirectX® 8.1 instalado en el ordenador. El instalador reconocerá automáticamente si se precisa agregar este software y le permitirá instalarlo directamente del CD que acompaña al producto Saitek en caso necesario.

Si se le pide instalar Microsoft® DirectX® 8.1, haga clic en **Instalar** y siga las instrucciones de pantalla y luego reinicie el ordenador cuando así se le solicite. **Asegúrese de dejar el CD de Saitek en la unidad cuando reinicie el sistema.** Una vez que se haya instalado este software, se le llevará automáticamente al proceso de instalación para proseguir en el paso siguiente.

- 5 Siga las instrucciones de pantalla y, cuando así se indique, seleccione **Sí, quiero reiniciar mi ordenador ahora**.
- 6 Tras el reinicio, en la pantalla de **Instalación de controlador de dispositivos** haga clic en **Siguiente** y siga las instrucciones de pantalla.
- 7 Cuando se le pida, enchufe el conector USB del controlador en su ordenador.
- 8 Cuando aparezca la pantalla de **Propiedades del controlador**, haga clic en **Siguiente** para visualizar la pantalla de **Prueba**.
- 9 Ahora, pruebe todos los botones y controles del controlador para ver que funcionen bien. Cuando haya terminado, haga clic en **Aceptar**.
- 10 En la pantalla de **Software de programación**, seleccione **Usuario normal** y haga clic en **Siguiente**.
- 11 En la pantalla de **Registro**, seleccione **Registrar mi controlador Saitek en-línea**, haga clic en **Siguiente** y siga las instrucciones de pantalla o seleccione **Registrar más adelante** y haga clic en **Siguiente**.

- 12 Haga clic en **Finalizar** para completar la instalación. Ahora su controlador de Saitek ya está listo para usar con sus juegos favoritos.

### ***Instalación completa (controladores y software de programación)***

Esta instalación cargará los controladores y el software de programación Smart Technology de Saitek para el controlador de Saitek.

- 1 Siga los puntos 1 – 8 del procedimiento de instalación de **Instalación rápida (controladores solamente)** y luego, en la pantalla de Software de programación, seleccione la ficha de **Usuario avanzado** y haga clic en **Siguiente**.
- 2 En la pantalla de **Impulsores de controlador programables**, haga clic en **Actualizar** y siga las instrucciones de pantalla. En este punto se le pedirá que inserte el CD de Windows®; no obstante, **NO** lo haga, simplemente haga clic en **Aceptar**. En la pantalla siguiente, teclee **C:\windows\system** tras el mensaje, haga clic en **Aceptar** y siga las instrucciones de pantalla.
- 3 En la pantalla de **El software de programación se instaló con éxito** haga clic en **Siguiente**.
- 4 En la pantalla de **Registro**, seleccione **Registrar mi controlador Saitek en-línea**, haga clic en **Siguiente** y siga las instrucciones de pantalla o seleccione **Registrar más adelante** y haga clic en **Siguiente**.
- 5 Una vez completada la instalación, dispone de la opción de **Ejecutar el Editor de perfiles**, que le proporcionará una visualización del entorno de programación 3D. Si no quiere ver el Editor de perfiles en este momento, sólo tiene que desmarcar la casilla y hacer clic en **Finalizar** para completar la instalación. Ahora el controlador de Saitek ya está listo para utilizar con sus juegos favoritos.

Para una guía completa sobre cómo programar el controlador de Saitek, visite el sitio web de Saitek en **www.saitek.com**.

### ***Instalación del software de programación en fecha posterior***

Si elige la *Instalación rápida (controladores solamente)*, podría desear instalar el software de programación **Saitek Smart Technology** una vez que haya dominado su nuevo Cyborg 3D Rumble Force de Saitek. Para hacer esto, sólo tiene que reinstalar el controlador siguiendo las instrucciones anteriores de *Instalación completa (Controladores y software de programación)*.

## **PROGRAMACIÓN DE SU CONTROLADOR SAITEK FORCE CON EL SOFTWARE DE PROGRAMACIÓN SAITEK SMART TECHNOLOGY**

### ***Introducción del software de programación Saitek Smart Technology***

El software de programación Saitek Smart Technology (SST) es el software que proporciona Saitek para configurar su controlador Saitek para una funcionalidad mejorada. SST ofrece un potente conjunto de prestaciones, permitiéndole programar su dispositivo con la configuración más avanzada para una interacción total. A pesar del nivel de sofisticación, nunca antes visto en el mercado, gracias a la Saitek Smart Technology incorporada el software permanece sencillo de utilizar e intuitivo.

#### **Prestaciones del software de programación Smart Technology:**

- Configuración rápida y sencilla con cualquier juego
- Personalización de los valores del controlador para sus juegos favoritos
- Configuración del controlador con un modelo e interfaz tridimensional en pantalla
- Opción de configuración múltiple para cada controlador: idóneo en los casos en que varias personas utilicen el mismo controlador
- Configuración de movimientos especiales con prestaciones de sincronización sofisticadas
- Disponibles configuraciones de juego especiales en forma de “perfiles” en el sitio web de Saitek y en el CD Smart Technology
- Descarga de la última versión del software Saitek Smart Technology desde el sitio web de Saitek.

### ¿Qué es un Perfil?

Un **Perfil** es una configuración específica para un mejor juego, que consiste en un conjunto de comandos preasignados a los botones o ejes del controlador. El disco que acompaña al producto o el sitio de web de Saitek ([www.saitek.com](http://www.saitek.com)) incluyen más de doscientos perfiles preestablecidos. Si requiere perfiles nuevos o mejorados, sírvase consultar el sitio de web, que se actualiza periódicamente.

### ¿Cómo programo el controlador?

Una vez que se familiarice con su controlador de juegos puede comenzar a crear sus propios perfiles personales con el software de programación Saitek Smart Technology (SST). Este software tiene capacidades de programación prácticamente ilimitadas y le permite personalizar el controlador para ajustarlo a sus necesidades de juego exactas.

El Editor de perfiles le permite programar los botones de su palanca de mando para que ejecuten diferentes acciones en sus juegos: esto resulta especialmente útil si el juego que se está utilizando no tiene pantalla propia que permita reconfigurar los botones.

### Puesta en marcha

- 1 Haga clic doble en el icono de Smart Technology de Saitek que la instalación deja en el escritorio.
- 2 En el **Editor de perfiles** elija el control al que desea asignar un comando de teclado. Esto se hace haciendo clic con el botón izquierdo en la celda del control de la lista de controles de la parte derecha de la pantalla.
- 3 Con el cursor parpadeando, teclee los comandos de tecla y luego haga clic en el símbolo de confirmación verde cuando haya finalizado.
- 4 Repita este procedimiento con todos los botones que desearía programar y luego haga clic en **Archivo, Guardar** de la parte superior de la ventana del **Editor de perfiles**.
- 5 Dé un nombre al perfil (se recomienda llamarlo con el nombre del juego para el que se hace el perfil) y luego haga clic en **Guardar**.
- 6 Para activar el perfil haga clic en el icono **Perfil ahora** de la parte superior del Editor de perfiles (tiene el aspecto de una cruz negra y amarilla) o haga clic con el botón derecho en el icono del controlador de la barra de tareas y seleccione el nombre del perfil en la lista emergente de opciones.
- 7 Observará que cuando se carga un perfil el icono del controlador de la barra de tareas tiene un cuadrado verde detrás del mismo, lo que indica que actualmente hay un perfil cargado. Si desea descargar un perfil sólo tiene que hacer clic con el botón derecho en el icono del controlador y hacer clic en **Despejar perfil** en la lista emergente de opciones.
- 8 Para una guía completa sobre cómo programar el controlador de Saitek, visite el sitio web de Saitek en [www.saitek.com](http://www.saitek.com).

Para una guía completa de cómo programar el controlador de Saitek, visite el sitio web de Saitek [www.saitek.com](http://www.saitek.com).

## ASISTENCIA TÉCNICA

### ¿No puede realizar la instalación? No se preocupe... ¡estamos aquí para ayudarle!

¿Sabía que casi todos los productos que nos retornan como defectuosos en realidad no son defectuosos, sino que no han sido instalados correctamente?

Si tiene cualquier tipo de problema con este producto, rogamos visite nuestro sitio web o se ponga en contacto con nuestro amable personal de asistencia técnica, que estará encantado de ayudarle.

Nuestro sitio web, [www.saitek.com](http://www.saitek.com), está diseñado para ayudarle a conseguir los mejores

resultados de su producto Saitek. Si sigue experimentando problemas, disponemos de equipos de especialistas del producto en todo el mundo a los que llamar para obtener consejo y apoyo. Encontrará los detalles de contacto en la lista de Centros de Asistencia Técnica junto a este producto. Saitek le ayudará a disfrutar de su adquisición: rogamos se ponga en contacto con nosotros si experimenta cualquier tipo de dificultad o duda.

### **El sitio web de Saitek**

Si tiene usted acceso a Internet, podemos responder a un gran número de sus preguntas técnicas con una simple visita al sitio web de Saitek en:

**www.saitek.com**

La división de asistencia técnica le ofrecerá toda la información necesaria para que su controlador de juegos rinda al máximo, resolverá cualquier tipo de problema que pueda tener y le ofrecerá las más nuevas configuraciones de juegos.

El sitio también incluye material periódicamente actualizado, como información sobre:

- Productos actuales y futuros
- Actualizaciones de drivers
- Configuraciones de juegos (Perfiles)
- Enlaces a sitios útiles

### **Cómo ponerse en contacto con Saitek**

Si no tiene acceso a Internet, o si el sitio no puede responder a su pregunta, deberá ponerse en contacto con el Equipo Técnico Saitek local.

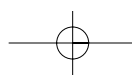
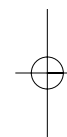
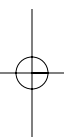
Sin embargo, antes de contactar con el personal de Asistencia Técnica, tenga en cuenta los siguientes puntos, que nos ayudarán a ayudarle:

- Compruebe que haya seguido todos los pasos indicados en este manual
- Verifique que el controlador de juegos esté conectado correctamente al ordenador
- Confirme el funcionamiento normal de su PC

Nuestro objetivo en Saitek es ofrecer a todos los usuarios una atención técnica exhaustiva y amplia. Antes de ponerse en contacto con nosotros siga las pautas indicadas a continuación para garantizar que posee toda la información necesaria para que podamos ayudarle.

- 1 Sepa cuál es el problema** – asegúrese de que conoce el problema exacto y que puede describir los pasos que llevaron a él.
- 2 Lea la guía de localización de fallas** – compruebe que su problema no haya sido tratado en el apartado Localización de fallas de este manual.
- 3 Conozca su hardware** – a ser posible, asegúrese que dispone de la siguiente información:
  - La marca y modelo de su ordenador
  - El nombre y la versión del juego que estaba utilizando cuando empezó a experimentar problemas
  - La marca y modelo de la placa base de su ordenador
  - La marca y modelo de la tarjeta de sonido de su ordenador
- 4 Esté preparado** – a ser posible, trate de llamar mientras está sentado delante del ordenador con toda la información y hardware pertinente disponible. Si tiene problemas con un juego concreto, asegúrese de que está cargado.
- 5 Tenga paciencia** – hacemos todo lo posible por tratar con los problemas del cliente de la forma más rápida posible. Sin embargo, hay casos en los que puede ser necesario remitir las preguntas a nuestro personal especializado. Rogamos tenga paciencia.

Para ponerse en contacto con el Centro de Asistencia Técnica de Saitek local, consulte la dirección/teléfono/fax/correo electrónico en la hoja individual de Centros de Asistencia Técnica que encontrará junto a este producto.



# Saitek R440 Force Wheel User Manual

Force Feedback Powered by Immersion® TouchSense™ Technology



“Protected by one or more of the following United States Patents:

4,823,634; 5,185,561; 5,220,260; 5,389,865; 5,414,337; 5,459,382; 5,559,412;  
5,576,727; 5,589,854; 5,629,594; 5,666,138; 5,691,898; 5,701,140; 5,721,566; 5,731,804;  
5,734,373; 5,739,811; 5,754,023; 5,767,839; 5,769,640; 5,805,140; 5,825,308; 5,831,408;  
5,844,392; 5,872,438; 5,889,670; 5,889,672; 5,907,487; 5,929,607; 5,929,846; 5,956,484;  
5,959,613; 5,999,168”

©2001 Saitek Ltd. Made and printed in China.  
All trademarks are the property of their respective owners.  
PW16 J43 SD3.2 P/N XXXXXXXXXX

## Free Manuals Download Website

<http://myh66.com>

<http://usermanuals.us>

<http://www.somanuals.com>

<http://www.4manuals.cc>

<http://www.manual-lib.com>

<http://www.404manual.com>

<http://www.luxmanual.com>

<http://aubethermostatmanual.com>

Golf course search by state

<http://golfingnear.com>

Email search by domain

<http://emailbydomain.com>

Auto manuals search

<http://auto.somanuals.com>

TV manuals search

<http://tv.somanuals.com>