

***Tanaka***

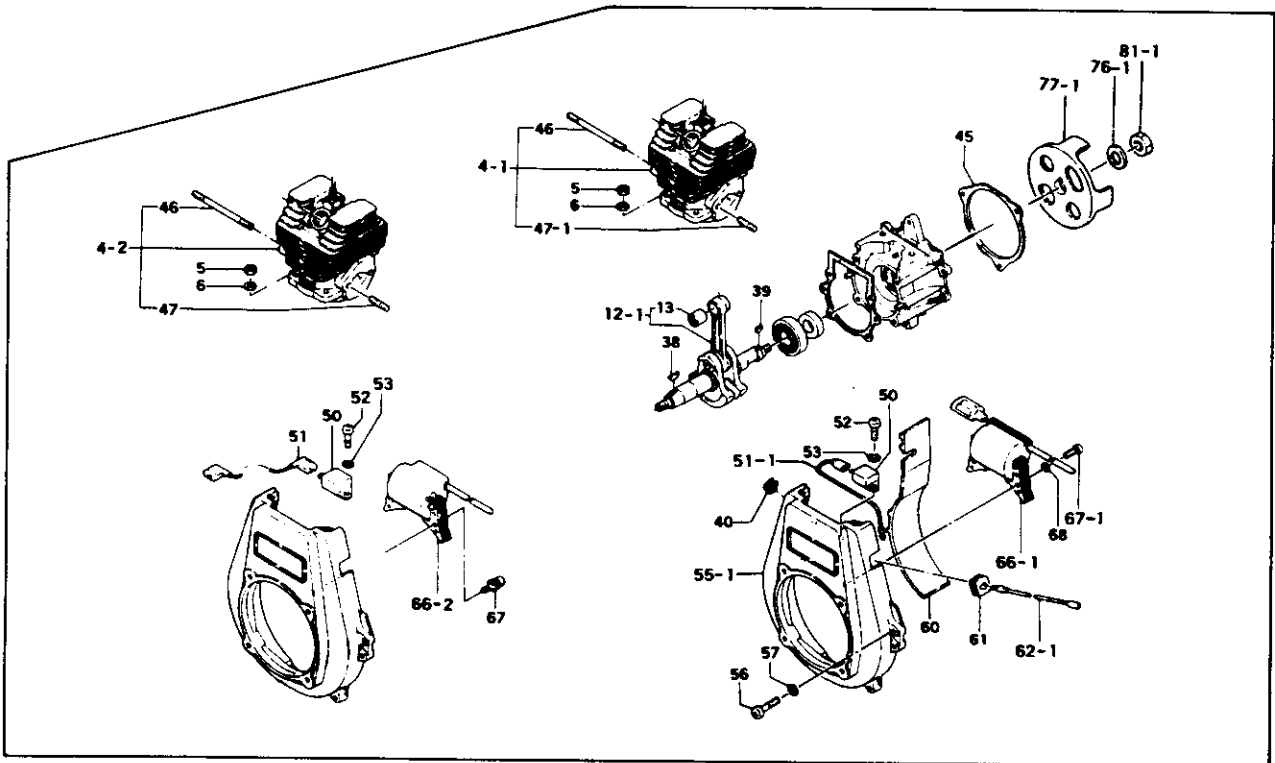
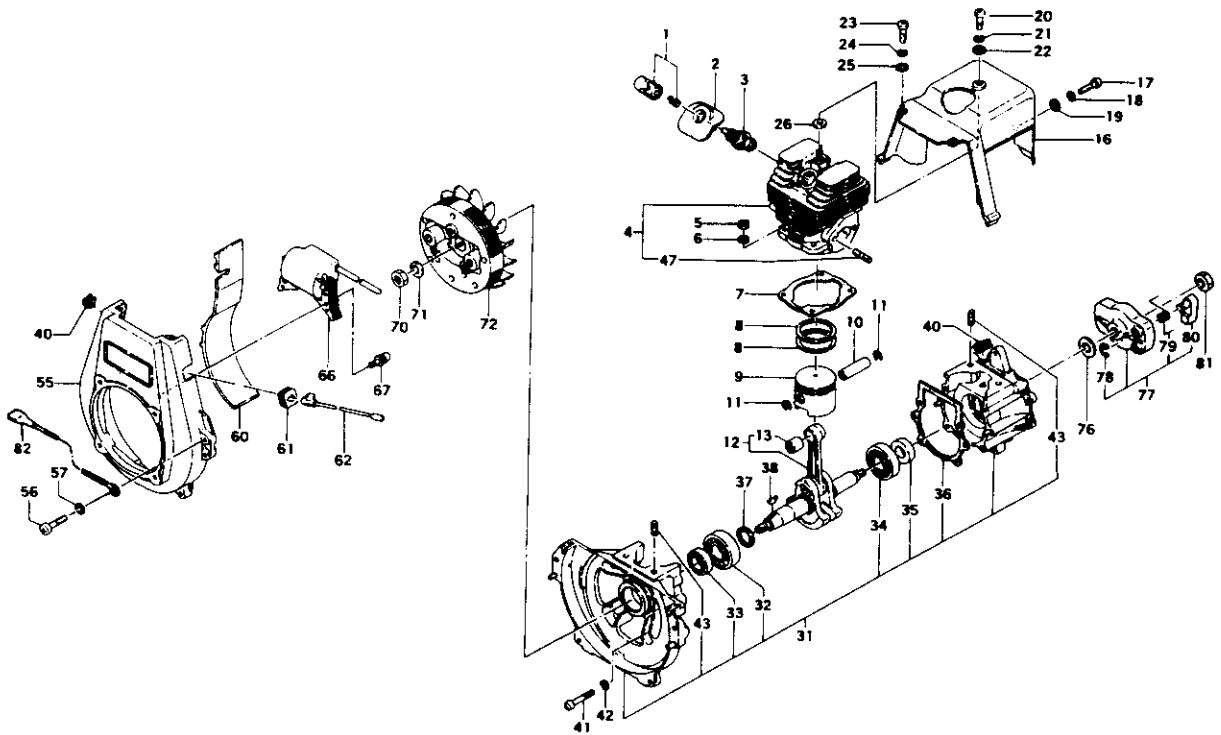
**Parts Catalog**

**Backpack Brushcutter**

**Model: SUM-321**

**All Units Prior To Serial Number H 219030**

# FIG.1 ENGINE

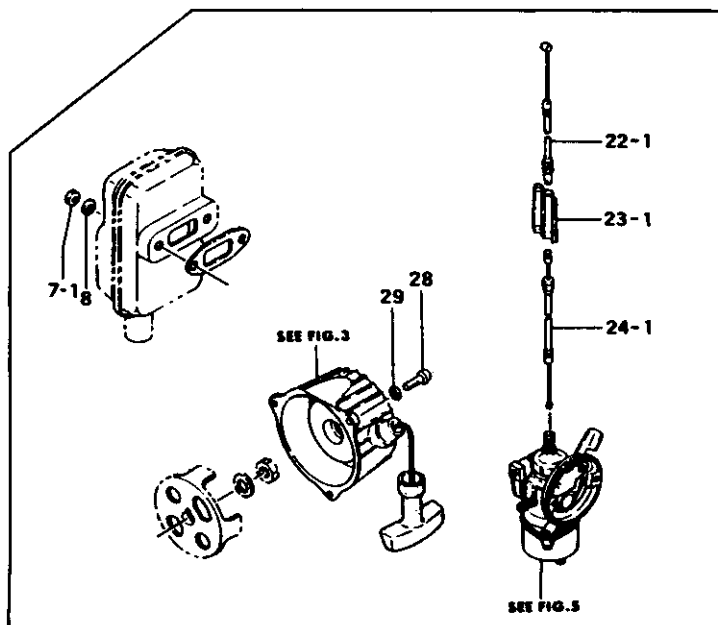
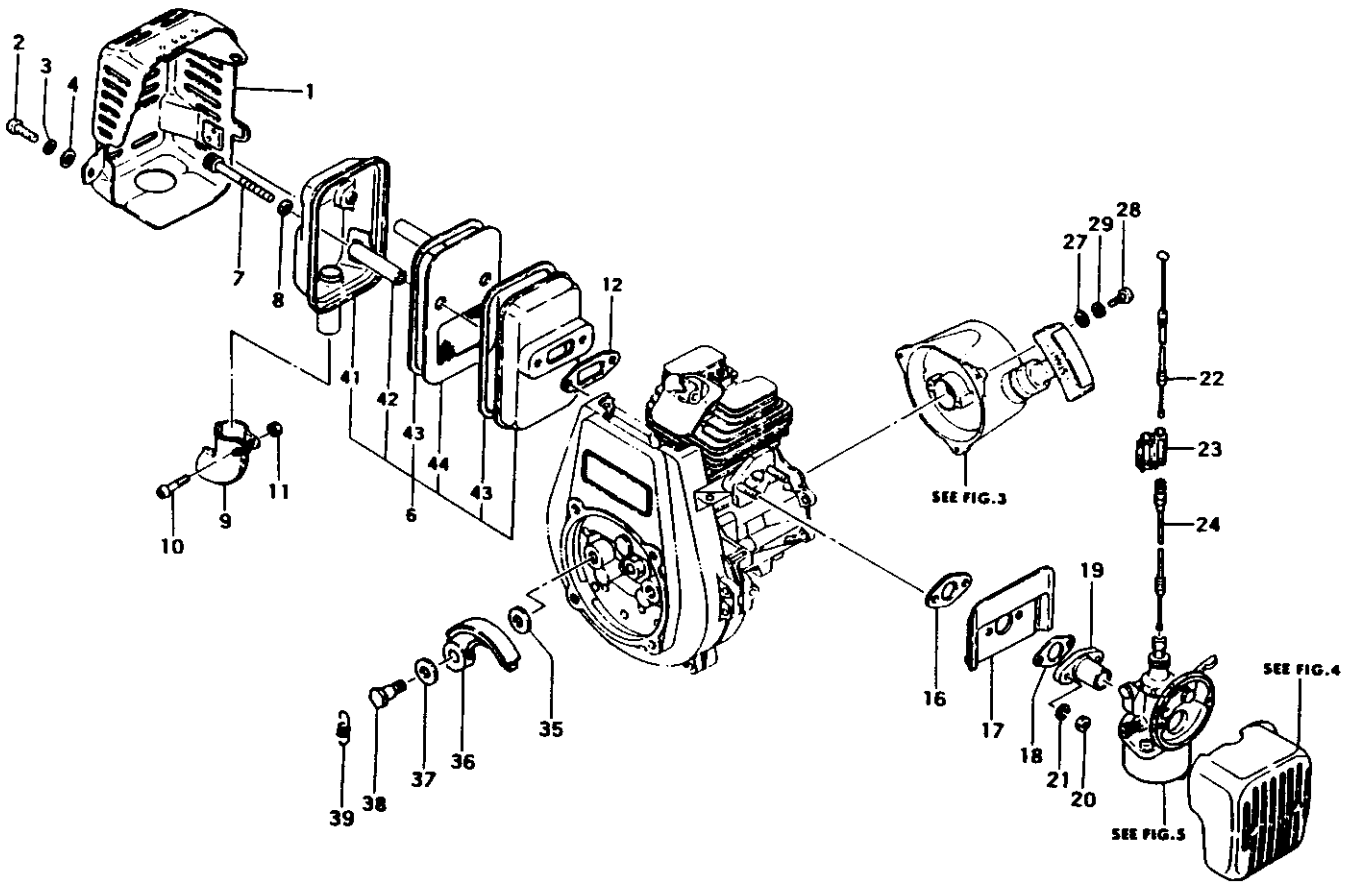


REF. NBR	PART NBR	PART NAME	QTY	SERIAL NBR	REMARKS
1-001	157-04000-900	SPARK PLUG CAP ASS'Y	1	-F153661	
1-001	157-01570-900	SPARK PLUG CAP ASS'Y	1	P F153662-	
1-002	255-01300-200	SPARK PLUG RUBBER COVER	1		
1-003	018-11600-200	SPARK PLUG BM-7A	1	I -F113450	
1-003	018-02233-200	SPARK PLUG CJ6	1	F113451-	
1-004, 1	002-0136S-202	CYLINDER	1	R -E176955	
1-004, 1	002-0136U-800	CYLINDER COMP.	1	R -F113450	
1-004, 1	002-0136S-800	CYLINDER COMP.	1	-F153661	
1-004, 2	002-0136G-800	CYLINDER COMP.	1	M -G195227	
1-004	002-0136G-810	CYLINDER COMP.	1	N G195228-	
1-005	991-01050-011	HEX. NUT 5	4		
1-006	992-10050-012	S.WASHER 5	4		
1-007	017-01300-210	CYLINDER GASKET	1		
1-008	041-01000-201	PISTON RING	2		
1-009	031-01400-204	PISTON 36	1		
1-010	037-01400-200	PISTON PIN	1		
1-011	039-00000-201	PISTON PIN CIRCLIP	2		
1-012, 1	046-01360-821	CRANK SHAFT COMP.	1	-F153661	
1-012	046-0136U-800	CRANK SHAFT COMP.	1	M F153662-	
1-013	999-62091-325	NEEDLE BEARING F-910	1		
1-016	016-01300-210	CYLINDER SHROUD	1		
1-017	990-11050-121	SCREW 5X12	1		
1-018	992-10050-012	S.WASHER 5	1		
1-019	992-01050-011	WASHER 5	1		
1-020	990-11050-181	SCREW 5X18	1		
1-021	992-10050-012	S.WASHER 5	1		
1-022	992-01050-011	WASHER 5	1		
1-023	990-11040-121	SCREW 4X12	2		
1-024	992-10040-012	S.WASHER 4	2		
1-025	992-01040-011	WASHER 4	2		
1-026	102-01300-200	INSULATOR	1		
1-031	072-01370-901	CRANK CASE ASS'Y	1	I -G025900	
1-031	072-0133R-900	CRANK CASE ASS'Y	1	G025901-	
1-032	999-61620-200	BALL BEARING #6202. 35MM/OD	1		
1-033	999-66152-500	OIL SEAL 15257	1		
1-034	999-61600-200	BALL BEARING #6002. 32MM/OD	1		
1-035	999-66122-266	OIL SEAL 12227	1		
1-036	090-01300-202	CRANK CASE GASKET	1		
1-037	071-02007-200	CRANK SHAFT SHIM 0.05	V		
1-037	071-02007-210	CRANK SHAFT SHIM 0.10	V		
1-037	071-02007-220	CRANK SHAFT SHIM 0.15	V		
1-037	071-02007-230	CRANK SHAFT SHIM 0.20	V		
1-037	071-02007-240	CRANK SHAFT SHIM 0.30	V		
1-038	068-10100-200	WOOD-RUFF KEY 3X13X4.5	1		
1-039	068-00300-200	WOOD-RUFF KEY 3X10X3.7	1	D F153662-	
1-040	203-06000-200	PRIMARY CORD GROMMET	2		
1-041	990-11050-251	SCREW 5X25	4		
1-042	992-10050-012	S.WASHER 5	4		
1-043	100-00100-201	STUD BOLT 5X21	4		
1-045	810-01225-201	RECOIL STARTER GASKET A	1	D F153662-	
1-046	100-01300-201	STUD BOLT 6X69	2	I -G025900	
1-046	100-01300-202	STUD BOLT 6X69	2	G025901-	
1-046	100-01300-202	STUD BOLT 6X69	2	D G195228-	
1-047, 1	101-00203-202	STUD BOLT 5X24	2	R -F113450	
1-047, 1	100-00100-201	STUD BOLT 5X21	2	-F153661	
1-047	100-00501-200	STUD BOLT 5X26	2	M F153662-	
1-050	159-21401-872	IGNITOR COMP. TTI-1F	1	D G056541-	
1-051, 1	173-0075G-800	IGNITOR LEAD WIRE COMP., B75M	1	-F113450	
1-051	173-06400-800	IGNITOR LEAD WIRE COMP., R73M	1	M F113451-	
1-051	173-06400-800	IGNITOR LEAD WIRE COMP., R73M	1	D G056541-	
1-052	990-11040-081	SCREW 4X8	1	D G056541-	
1-053	992-10040-012	S.WASHER 4	1	D G056541-	
1-055, 1	112-01360-212	FAN CASE	1	-F113450	

- To be cont'd -

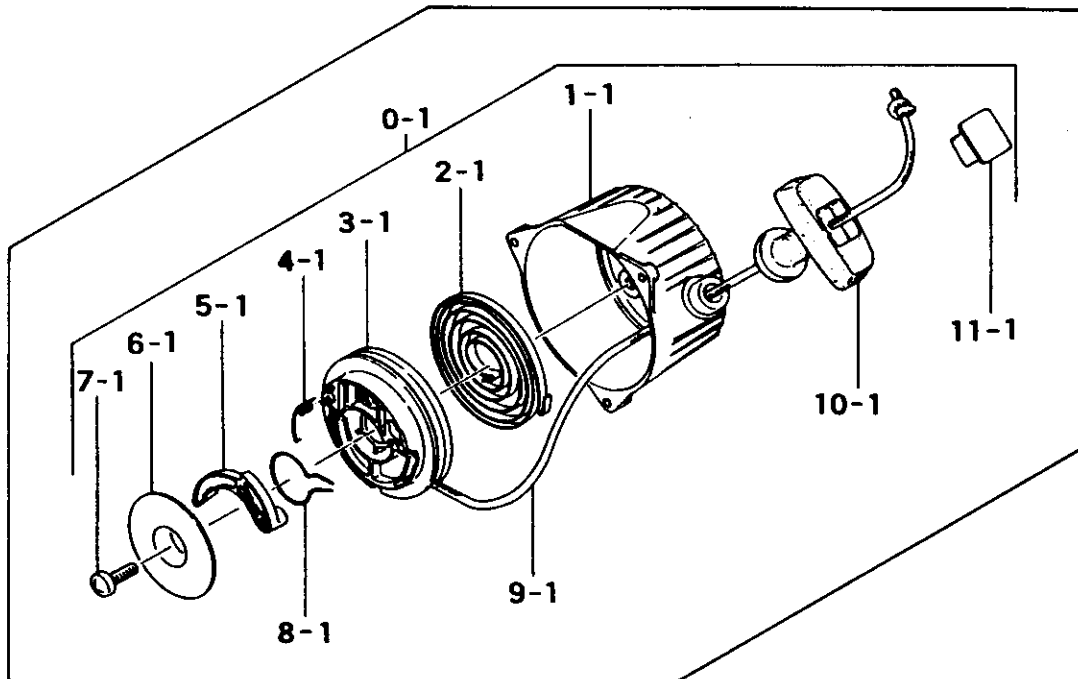
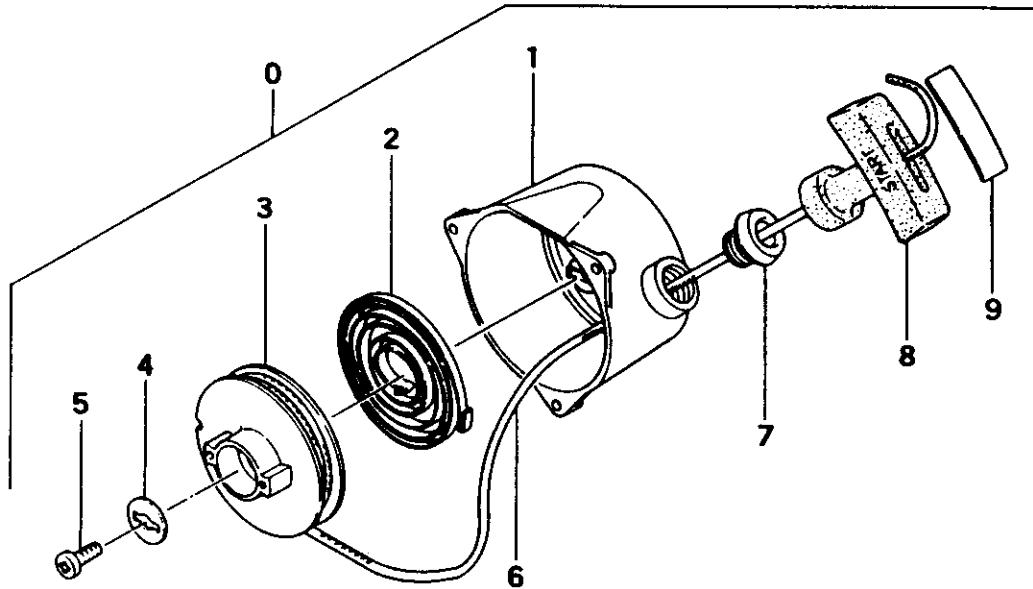
REF. NBR	PART NBR	PART NAME	QTY	SERIAL NBR	REMARKS
1-055	112-01360-220	FAN CASE	1	N F113451-	
1-056	990-11050-181	SCREW 5X18	4		
1-057	992-10050-012	S. WASHER 5	4		
1-060	132-01300-200	FLASH PAN	1		
1-061	203-0604A-202	GROMMET	1		
1-062.1	178-0136U-800	STOP CORD COMP.	1	-F113450	
1-062	178-0136U-810	STOP CORD COMP.	1	N F113451-	
1-066.1	167-20761-800	IGNITION COIL COMP.	1	-F113450	
1-066.2	167-20770-800	IGNITION COIL COMP.	1	N -G056540	
1-066	167-21851-800	IGNITION COIL COMP.	1	N -H066976	
1-066	167-21951-800	IGNITION COIL COMP.	1	P H066977-	
1-067.1	990-11040-181	SCREW 4X18	2	-F113450	
1-067	994-16040-226	SCREW 4X22/WS	2	N F113451-	
1-068	992-10040-012	S. WASHER 4	2	D F113451-	
1-070	981-01080-011	NUT 8	1		
1-071	992-01080-011	WASHER 8	1		
1-072	155-21727-800	MAGNETO ROTOR COMP.	1	I -G195227	
1-072	155-21727-801	MAGNETO ROTOR COMP.	1	G195228-	
1-076.1	065-00000-200	FLYVHEEL WASHER	1	-F153661	
1-076	359-10112-203	CLUTCH WASHER B	1	N F153662-	
1-077.1	774-01250-200	STARTER PULLEY	1	-F153661	
1-077	798-0162V-900	STARTER PULLEY ASS'Y	1	N F153662-	
1-078	993-55005-000	STOP RING 5	1	N F153662-	
1-079	790-0162V-200	STARTER PAWL SPRING	1	N F153662-	
1-080	788-0162V-200	STARTER PAWL	1	N F153662-	
1-081.1	066-00601-200	FLYVHEEL NUT	1	-F153661	
1-081	991-01080-011	HEX. NUT 8	1	N F153662-	
1-082	274-0136U-800	EARTH CORD COMP.	1	N H206491-	

# FIG.2 ENGINE COMPONENTS



REF. NBR	PART NBR	PART NAME	QTY	SERIAL NBR	REMARKS
2-001	738-0136S-801	MUFFLER PROTECTOR COMP.	1		
2-002	990-11040-101	SCREW 4X10	2		
2-003	992-10040-012	S.WASHER 4	2		
2-004	992-01040-011	WASHER 4	2		
2-006	706-0136G-900	MUFFLER ASS'Y	1	I	-H162320
2-006	706-0136G-901	MUFFLER ASS'Y	1		H162321-
2-007, 1	991-74060-010	U-NUT 6	2		-G195227
2-007	990-53060-803	HEX. HOLE BUTTON SCREW 6X60	2	M	G195228-
2-008	992-01060-081	WASHER 6	2	M	
2-008	992-01060-011	WASHER 6	2		
2-009	708-00523-811	TAIL PIPE COMP.	1		
2-010	990-11040-121	SCREW 4X12	1		
2-011	991-01040-011	HEX. NUT 4	1		
2-012	737-01000-201	MUFFLER GASKET	1		
2-016	403-01300-200	INLET MANIFOLD GASKET	1		
2-017	138-0136U-200	FLASH PAN A	1		
2-018	403-00001-200	INLET MANIFOLD GASKET	1		
2-019	393-00005-203	INLET MANIFOLD	1	R	-F153661
2-019	393-01253-201	INLET MANIFOLD	1		F153662-
2-020	991-74050-010	U-NUT 5	2		-F113450
2-020	991-01050-013	NUT 5	2	M	-F153661
2-020	991-74050-010	U-NUT 5	2	M	F153662-
2-021	992-00050-011	SMALL WASHER 5	2		-F113450
2-021	992-10050-012	S.WASHER 5	2	M	F113451-
2-022, 1	887-33340-800	THROTTLE WIRE B COMP.	1		-H206490
2-022	887-33344-800	THROTTLE WIRE B COMP.	1	M	H206491-
2-023, 1	888-33340-200	CONNECTOR CASE	1		-H206490
2-023	888-04030-200	CONNECTOR CASE	1	M	H206491-
2-024, 1	886-33340-800	THROTTLE WIRE A COMP.	1		-F113450
2-024, 1	885-00596-800	THROTTLE WIRE COMP.	1	M	-H206490
2-024	885-0136U-800	THROTTLE WIRE COMP.	1	M	H206491-
2-027	992-00040-011	SMALL WASHER 4	3	M	G004351-
2-028	990-11040-121	SCREW 4X12	3		-G004350
2-028	990-11040-141	SCREW 4X14	3	M	G004351-
2-029	992-10040-012	S.WASHER 4	3		
2-035	359-10112-203	CLUTCH WASHER B	2		
2-036	290-0136U-800	CLUTCH SHOE COMP.	2		
2-037	358-10112-200	CLUTCH WASHER A	2		
2-038	357-0136U-200	CLUTCH STEP BOLT	2		
2-039	342-0136U-200	CLUTCH SPRING	1		
2-041	717-0136S-800	MUFFLER BODY B COMP.	1	I	-H162320
2-041	717-0136S-801	MUFFLER BODY B COMP.	1		H162321-
2-042	740-0136S-200	MUFFLER COLLAR	2	R	-H162320
2-042	740-0136G-200	MUFFLER COLLAR	2		H162321-
2-043	739-01320-201	MUFFLER GASKET	2		
2-044	722-01320-801	MUFFLER PARTITION COMP.	1		

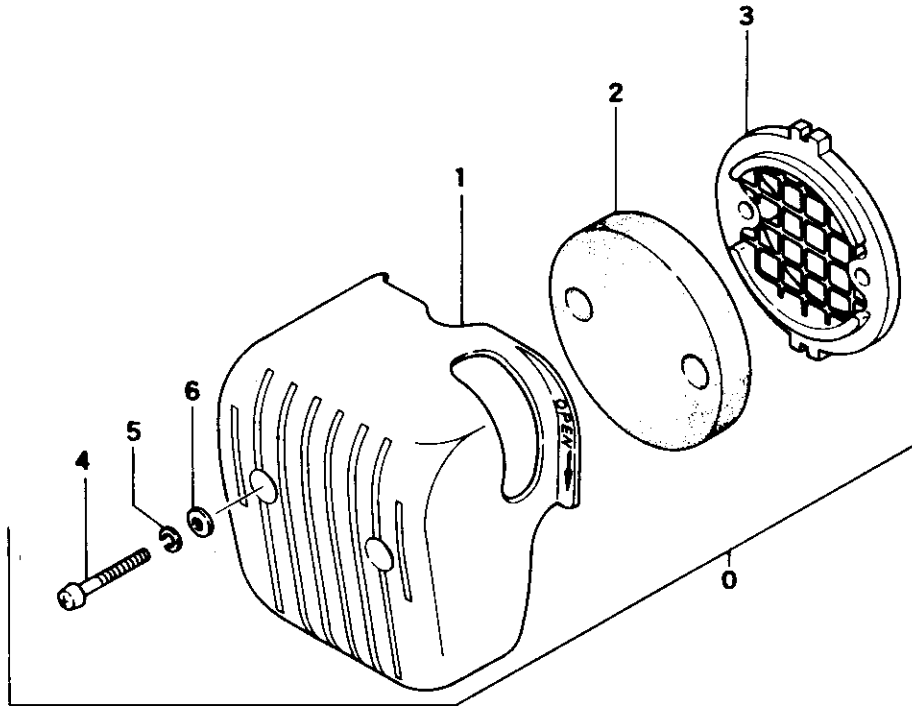
**FIG.3 RECOIL STARTER**



REF. NBR	PART NBR	PART NAME	QTY	SERIAL NBR	REMARKS
3-000,1	762-01250-900	RECOIL STARTER BODY ASS'Y	1	-F153661	
3-000	762-0136U-900	RECOIL STARTER BODY ASS'Y	1	M F153662-	
3-001,1	772-01250-201	RECOIL STARTER BODY	1		
3-002,1	779-01250-200	RECOIL SPRING	1		
3-003,1	769-01250-200	STARTER ROPE REEL	1		
3-004,1	832-01250-200	RETURN SPRING	1		
3-005,1	788-01250-200	STARTER PAWL	1		
3-006,1	837-01250-200	FRICTION PLATE	1		
3-007,1	990-15050-121	SCREW 5X12	1		
3-008,1	836-01250-200	FRICTION SPRING	1	M	
3-008,1	836-06092-200	FRICTION SPRING	1	M	
3-009,1	783-01250-200	ROPE	1		
3-010,1	785-01250-201	STARTER HANDLE	1	M	
3-010,1	785-01620-200	STARTER HANDLE	1		
3-011,1	835-01250-201	HANDLE CAP	1		
3-001	772-0136U-200	RECOIL STARTER BODY	1		
3-002	779-0136U-200	RECOIL SPRING	1		
3-003	774-0162V-200	STARTER ROPE REEL	1		
3-004	801-0162V-200	ROPE REEL WASHER	1		
3-005	990-15050-126	SCREW 5X12	1		
3-006	783-0136U-200	ROPE	1		
3-007	782-08097-200	ROPE GUIDE	1		
3-008	785-01620-200	STARTER HANDLE	1		
3-009	795-01620-200	HANDLE KNOB SEAL	1		

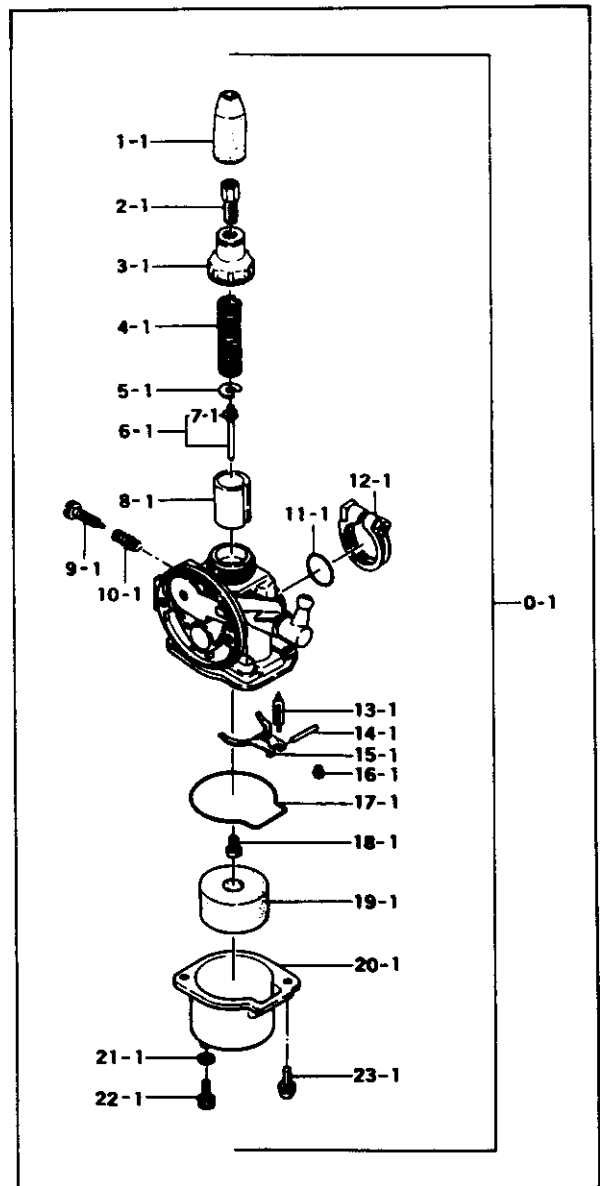
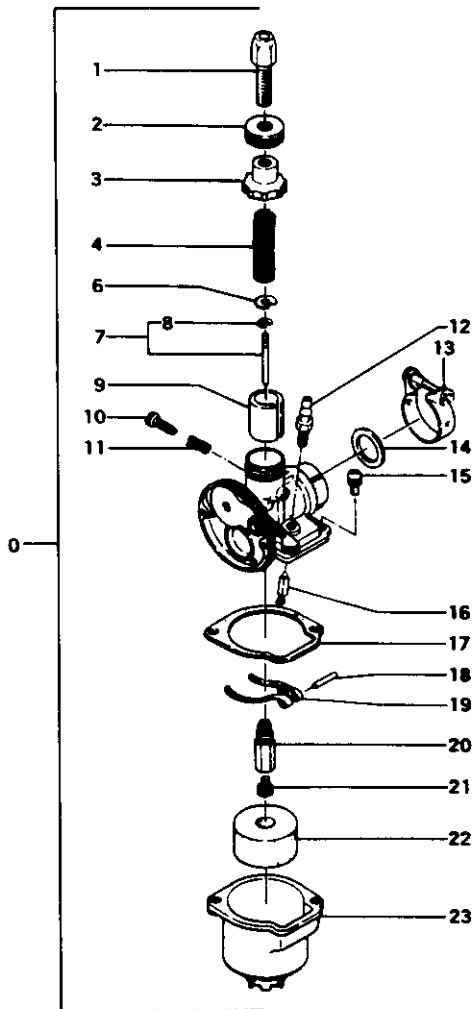


# FIG.4 AIR CLEANER



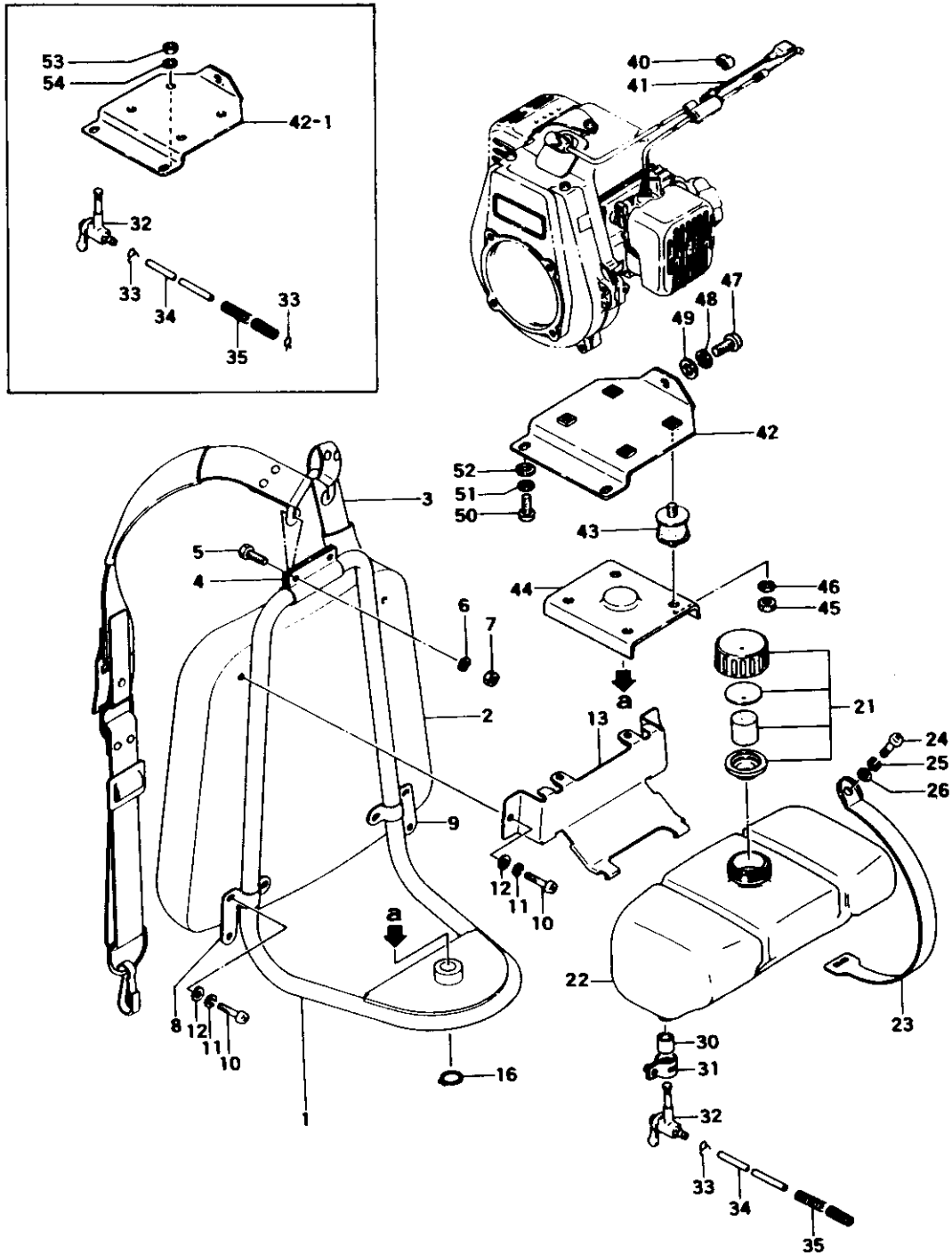
REF. NBR	PART NBR	PART NAME	QTY	SERIAL NBR	REMARKS
4-000	410-01310-900	CLEANER ASS'Y	1		
4-001	423-01310-201	CLEANER BODY	1		
4-002	446-00610-200	CLEANER ELEMENT	1		
4-003	436-00610-211	CLEANER FIXING BASE	1		
4-004	990-11040-251	SCREW 4X25	2		
4-005	992-10040-012	S. WASHER 4	2		
4-006	992-00040-011	SMALL WASHER 4	2		

# FIG.5 CARBURETOR



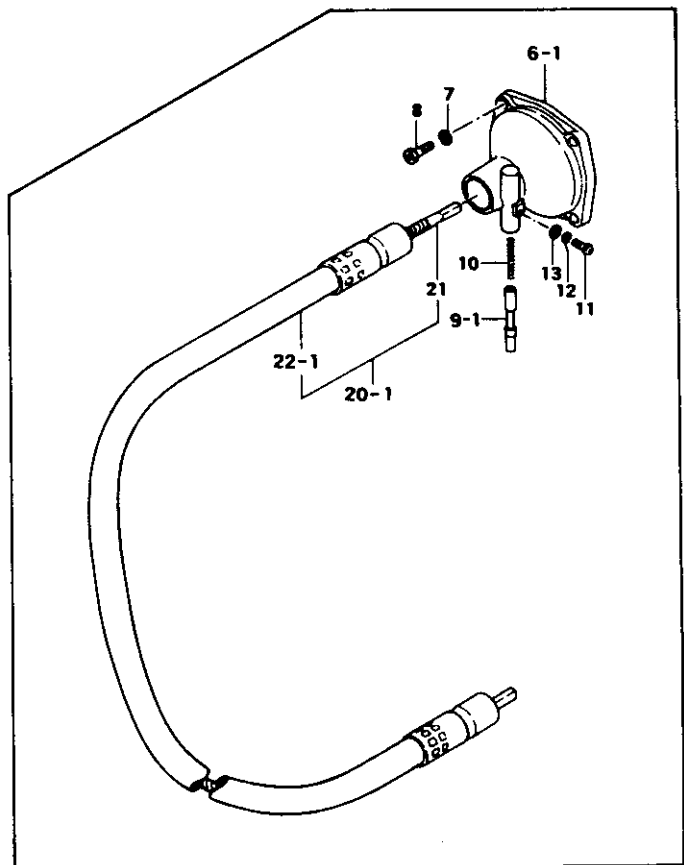
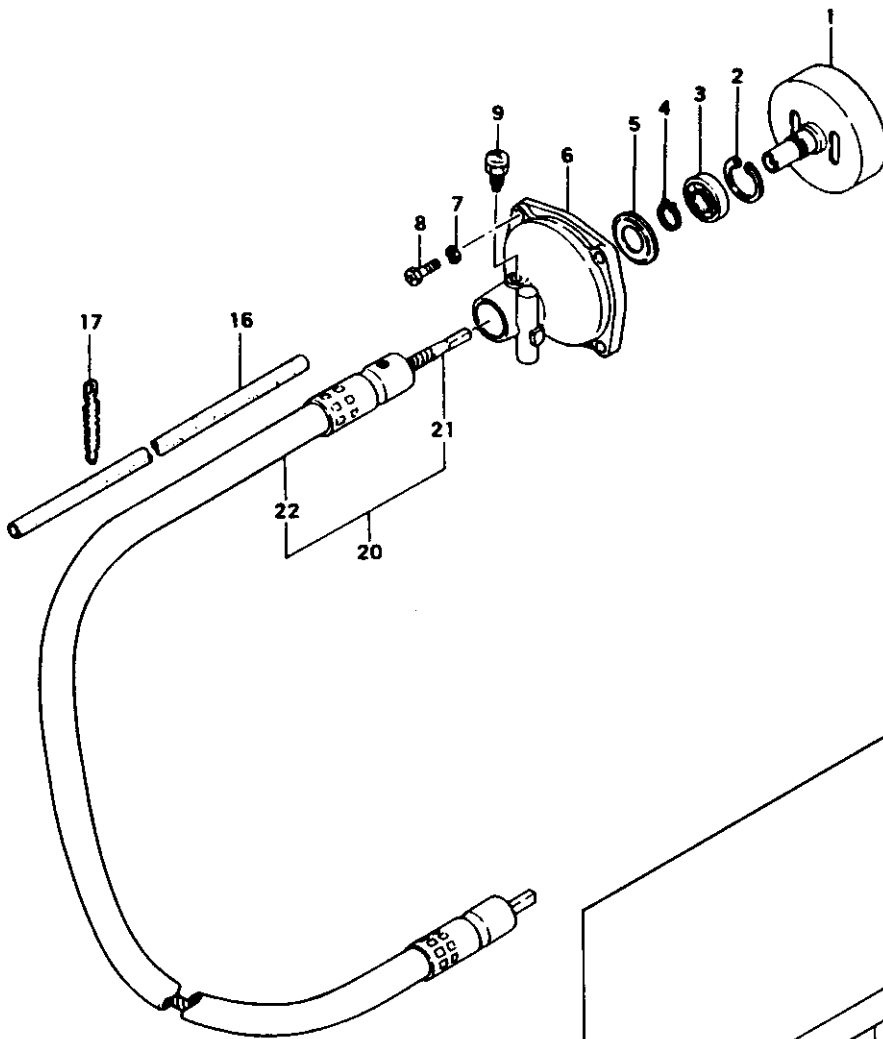
REF. NBR	PART NBR	PART NAME	QTY	SERIAL NBR	REMARKS
5-000,1	455-22916-900	CARBURETOR ASS'Y	1	-F113450	
5-000	455-20444-900	CARBURETOR ASS'Y	1	M -F173300	
5-000	455-20444-900	CARBURETOR ASS'Y	1	R -F173300	
5-000	455-20444-901	CARBURETOR ASS'Y	1	F173301-	
5-001,1	560-22904-200	RUBBER CAP	1		
5-002,1	597-22904-200	CABLE ADJUSTER	1		
5-003,1	595-22900-200	BODY CAP	1		
5-004,1	594-22802-200	THROTTLE VALVE SPRING	1		
5-005,1	619-22912-200	THROTTLE SPRING RECEIVER	1		
5-006,1	592-2043K-930	JET NEEDLE ASS'Y 011344	1		
5-007,1	593-22904-200	JET NEEDLE CLIP	1		
5-008,1	591-2021K-200	THROTTLE VALVE 1.0X1.1	1		
5-009,1	622-22900-200	ADJUST SCREW	1		
5-010,1	623-22900-200	ADJUSTER SPRING	1		
5-011,1	570-22903-200	GASKET	1		
5-012,1	561-22900-900	BODY BAND ASS'Y	1		
5-013,1	603-22915-800	NEEDLE VALVE COMP.	1		
5-014,1	605-22900-200	FLOAT ARM PIN	1		
5-015,1	628-22900-200	FLOAT ARM	1		
5-016,1	990-11040-061	SCREW 4X6	1		
5-017,1	607-22900-200	CHAMBER GASKET	1		
5-018,1	599-2002K-550	MAIN JET #55	1		
5-019,1	604-22903-200	FLOAT	1		
5-020,1	606-22900-200	FLOAT CHAMBER	1		
5-021,1	629-22900-200	DRAIN GASKET	1	M	
5-021,1	629-22904-200	DRAIN GASKET	1		
5-022,1	990-24040-061	BOLT 4X6	1		
5-023,1	994-34040-121	SCREW 4X12/S	2		
5-001	597-20110-200	CABLE ADJUSTER	1		
5-002	596-20200-200	CABLE ADJUSTER LOCK NUT	1		
5-003	595-20430-200	BODY CAP	1		
5-004	594-20110-200	THROTTLE VALVE SPRING	1		
5-006	619-20110-200	THROTTLE SPRING RECEIVE	1		
5-007	592-2027T-920	JET NEEDLE ASS'Y	1	-F173300	
5-007	592-2028T-930	JET NEEDLE ASS'Y	1	M F173301-	
5-008	593-20400-200	JET NEEDLE CLIP	1		
5-009	591-2000T-200	THROTTLE VALVE 0.5X1.5	1	-F173300	
5-009	591-2007T-200	THROTTLE VALVE 0.75X1.5	1	M F173301-	
5-010	622-20110-200	ADJUSTER SCREW	1		
5-011	623-21700-200	ADJUST SPRING	1		
5-012	602-20444-200	NEEDLE SEAT	1		
5-013	561-20400-900	BODY BAND ASS'Y	1		
5-014	571-20400-200	FLANGE GASKET	1		
5-015	994-34040-100	SCREW 4X10/S	2		
5-016	603-20444-900	NEEDLE VALVE ASS'Y	1		
5-017	607-20110-200	FLOAT CHAMBER GASKET	1		
5-018	605-20202-200	FLOAT ARM PIN	1		
5-019	628-20400-200	FLOAT ARM	1		
5-020	598-2001T-850	NEEDLE JET 2085	1		
5-021	599-2001T-620	MAIN JET #62	1	-F173300	
5-021	599-2001T-600	MAIN JET #60	1	M F173301-	
5-022	604-20110-200	FLOAT	1		
5-023	606-20433-800	FLOAT CHAMBER COMP.	1		

# FIG.6 SHOULDER FRAME



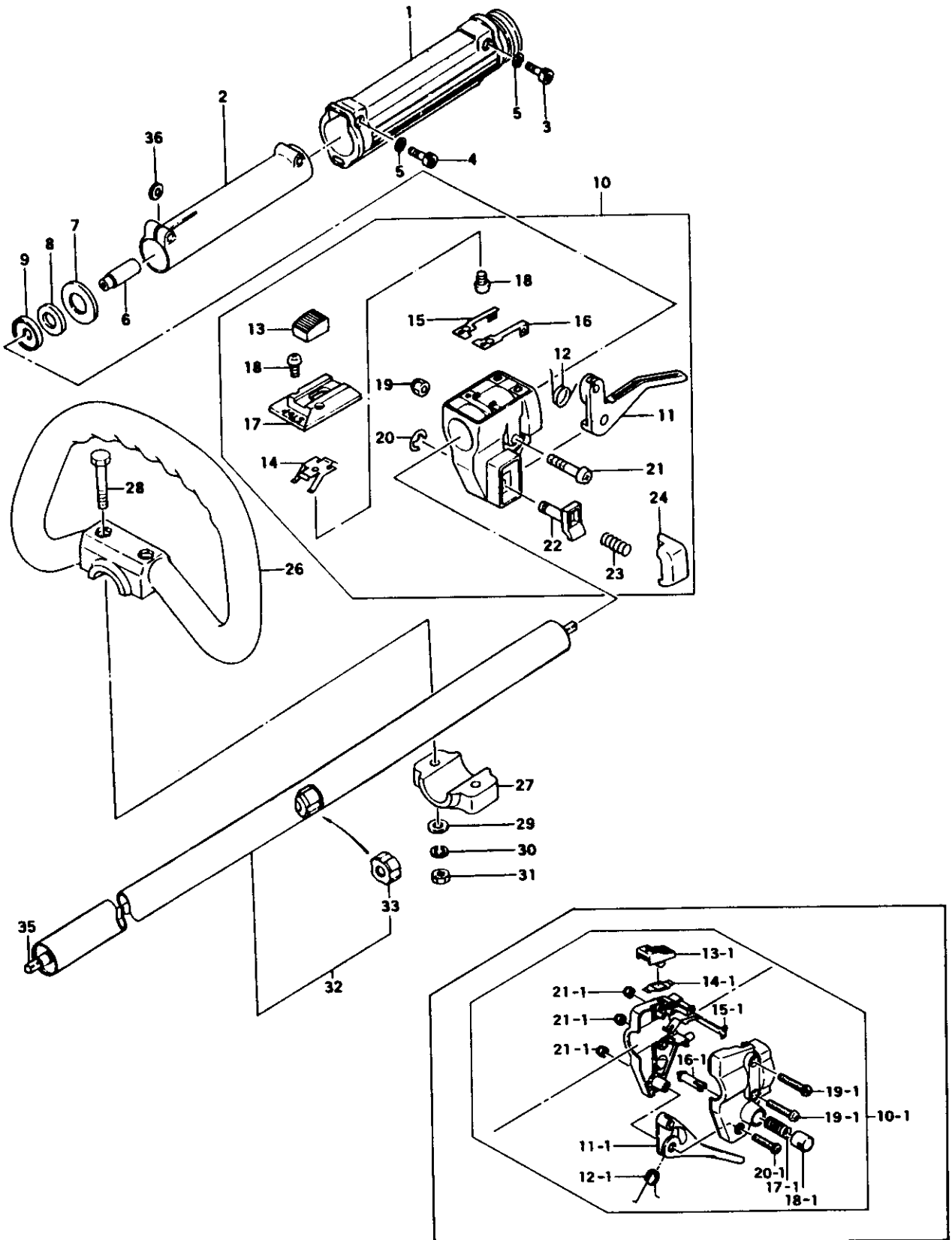
REF. NBR	PART NBR	PART NAME	QTY	SERIAL NBR	REMARKS
6-001	244-33328-800	SHOULDER FRAME COMP.	1		
6-002	245-33331-801	SHOULDER PLATE COMP.	1		
6-003	746-33328-900	SHOULDER BELT ASS'Y	1	I -G025900	
6-003	746-33331-900	SHOULDER BELT ASSY, KOREAM MAKE	1	G025901-	
6-004	335-33328-200	LIFTING METAL	1		
6-005	990-23050-161	PLUS BOLT 5X16	2		
6-006	992-10050-012	S. WASHER 5	2		
6-007	991-01050-011	HEX. NUT 5	2		
6-008	247-33328-200	SHOULDER PLATE HOLDER A	1	-G195227	
6-008	247-33328-201	SHOULDER PLATE HOLDER A	1	P G195228-	
6-009	248-33328-200	SHOULDER PLATE HOLDER B	1	-G195227	
6-009	248-33328-201	SHOULDER PLATE HOLDER B	1	P G195228-	
6-010	990-11050-121	SCREW 5X12	6		
6-011	992-10050-012	S. WASHER 5	6		
6-012	992-00050-011	SMALL WASHER 5	6		
6-013	653-33328-804	TANK HOLDING METAL COMP.	1		
6-016	993-50014-002	STOP RING C14/OUTER	1		
6-021	595-10239-900	TANK CAP ASS'Y, ORANGE	1		
6-022	591-01047-200	TANK	1		
6-023	648-33328-201	FUEL TANK BAND	2		
6-024	990-11050-201	SCREW 5X20	2	M	
6-024	990-11050-221	SCREW 5X22	2		
6-025	992-10050-012	S. WASHER 5	2		
6-026	992-00050-011	SMALL WASHER 5	2		
6-030	222-31700-200	SHIELD TUBE	1		
6-031	680-10209-200	CLIP	1		
6-032	592-10209-900	PET-COCK ASS'Y	1		
6-033	680-01004-200	CLIP 8	2	-F113450	
6-033	680-01004-200	CLIP 8	1	F113451-	
6-034	700-14508-215	FUEL PIPE 4.5X8X215	1	R -F066200	
6-034	700-15008-215	FUEL PIPE 5X8X215	1	R -F113450	
6-034	700-15008-230	FUEL PIPE 5X8X230	1	R -G025900	
6-034	700-15008-250	FUEL PIPE 5X8X250	1	G025901-	
6-035	702-33340-200	FUEL PIPE PROTECTION COIL	1		
6-040	778-38100-200	CORD CLAMP	1		
6-041	178-33340-800	STOP CORD COMP.	1		
6-042, 1	221-33340-200	ENGINE BASE B	1	R -E262475	
6-042	221-33340-800	ENGINE BASE B COMP.	1	E262476-	
6-043	319-33328-801	CUSHION RUBBER COMP.	4		
6-044	220-33328-801	ENGINE BASE COMP.	1		
6-045	991-01060-011	NUT 6	4		
6-046	992-10060-012	S. WASHER 6	4		
6-047	990-11060-121	SCREW 6X12	1		
6-048	992-10060-012	S. WASHER 6	1		
6-049	992-01060-011	WASHER 6	1		
6-050	990-11050-121	SCREW 5X12	2		
6-051	992-10050-012	S. WASHER 5	2		
6-052	992-01050-011	WASHER 5	2		
6-053	991-01060-011	NUT 6	4	D E262476-	
6-054	992-10060-012	S. WASHER 6	4	D E262476-	

# FIG.7 CLUTCH CASE



REF. NBR	PART NBR	PART NAME	QTY	SERIAL NBR	REMARKS
7-001	332-33340-800	CLUTCH DRUM COMP.	1		
7-002	993-51035-002	STOP RING C-35 IN	1		
7-003	999-61620-204	BALL BEARING #6202DD. 35MM/OD	1		
7-004	993-50015-002	STOP RING C-15 EX	1		
7-005	801-33340-200	STEP WASHER	1		
7-006.1	331-33340-200	CLUTCH CASE	1	-H206490	
7-006	331-33340-210	CLUTCH CASE	1	N H206491-	
7-007	992-10060-012	S.WASHER 6	4		
7-008	990-23060-181	BOLT 6X18 W/PLUS	4		
7-009.1	400-33340-200	LOCK PIN	1	-H206490	
7-009	400-33360-800	LOCK PIN COMP.	1	N H206491-	
7-010	401-33340-200	LOCK PIN SPRING	1	D H206491-	
7-011	990-11040-101	SCREW 4X10	1	D H206491-	
7-012	992-10040-012	S.WASHER 4	1	D H206491-	
7-013	992-00040-011	SMALL WASHER 4	1	D H206491-	
7-016	264-33340-200	CORD PROTECTION VINYL	1	I -F066200	
7-016	279-11073-005	VINYL TUBE	1	I -G025900	
7-016	279-11070-005	VINYL TUBE 11. 700L	1	-H206490	
7-016	279-13070-005	PROTECTION TUBE 13	1	N H206491-	
7-017	903-32201-200	WIRE CLAMP BAND	3		
7-020.1	351-33340-900	FLEXIBLE SHAFT ASS'Y	1	I -H206490	
7-020	351-33340-901	FLEXIBLE SHAFT ASS'Y	1	H206491-	
7-021	351-33340-800	FLEXIBLE SHAFT COMP.	1		
7-022.1	350-33340-800	FLEXIBLE LINER COMP.	1	I -H206490	
7-022	350-33340-801	FLEXIBLE LINER COMP.	1	H206491-	

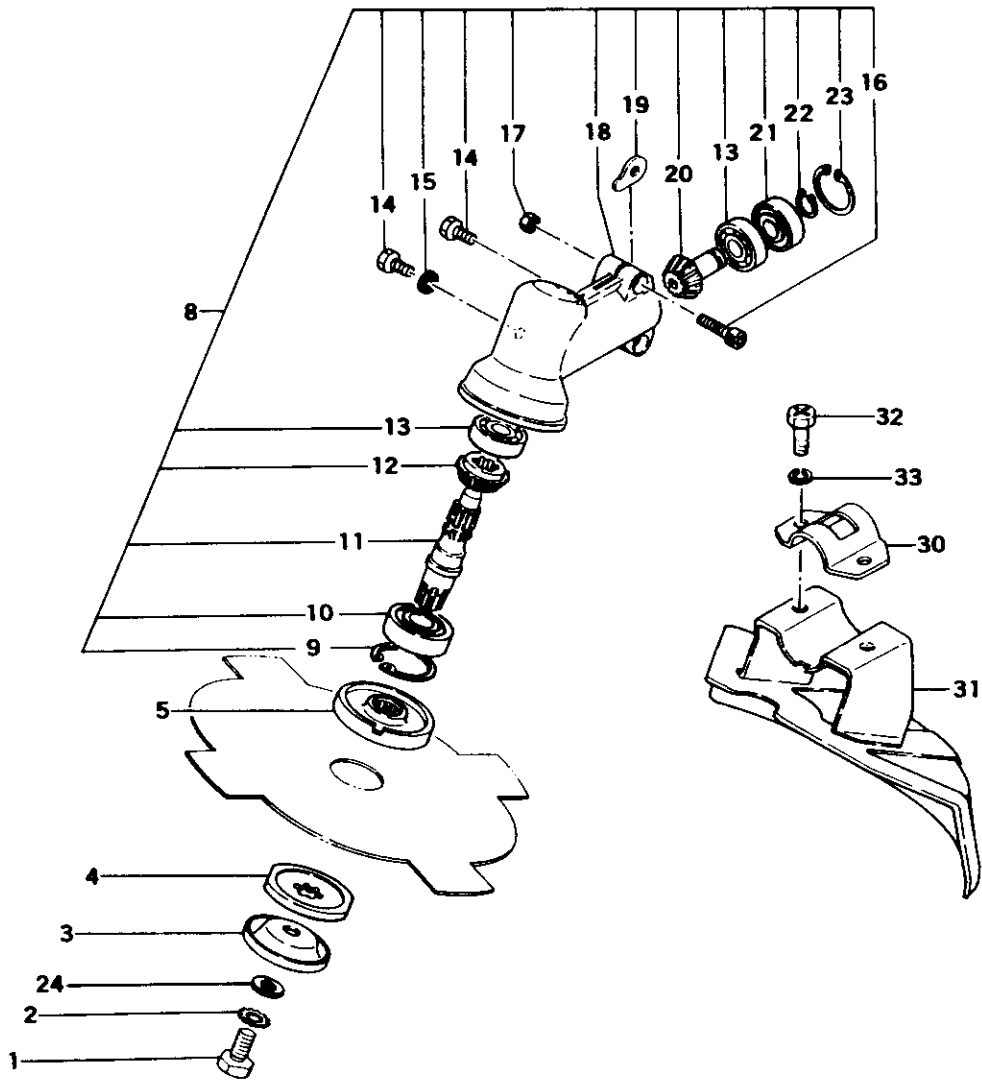
# FIG.8 HANDLE





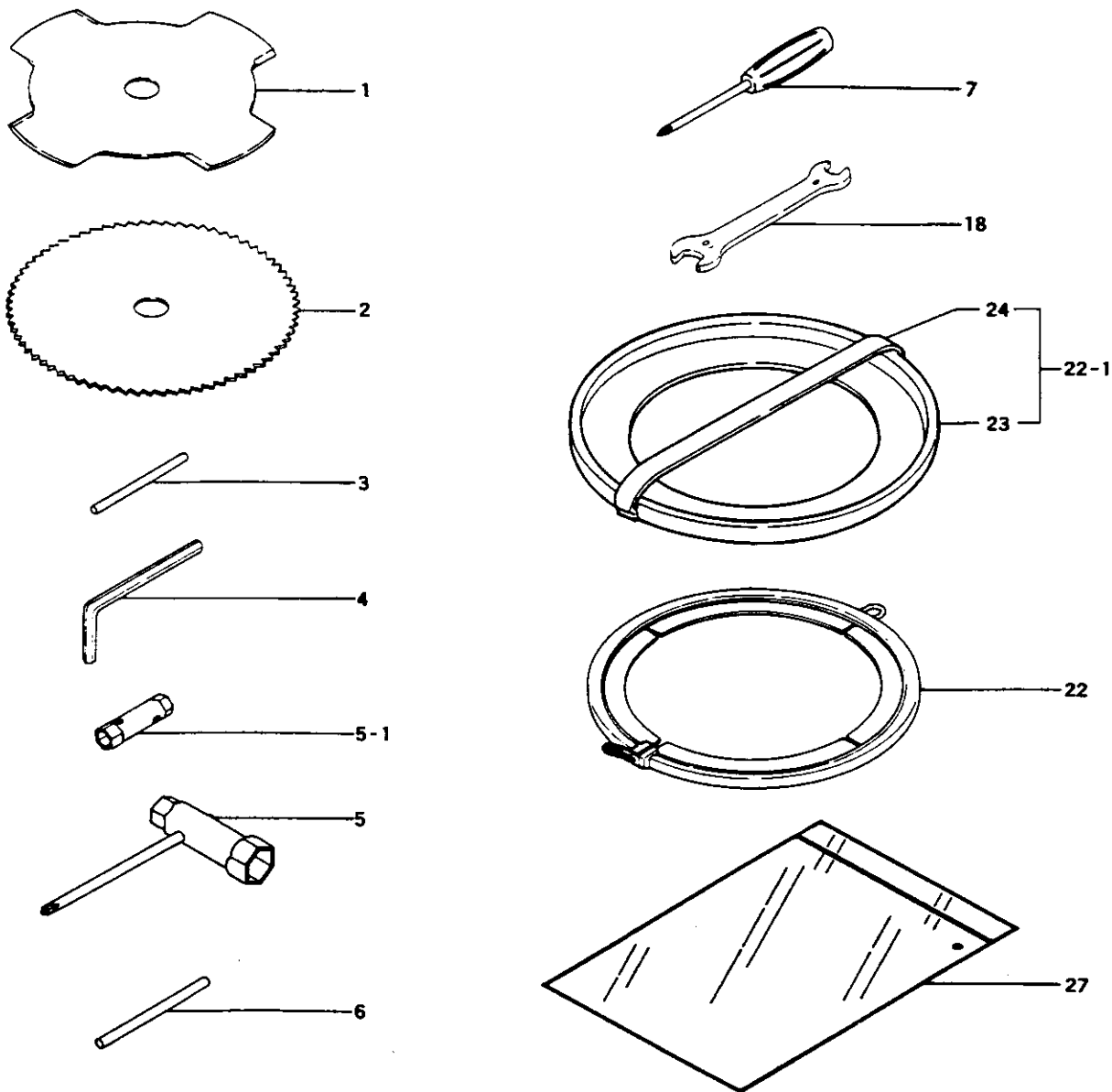
REF. NBR	PART NBR	PART NAME	QTY	UNIT	SERIAL NBR	REMARKS
8-001	504-33340-200	GRIP	1	R	-H206490	
8-001	504-33360-200	SHAFT GRIP	1		H206491-	
8-002	281-33340-200	JOINT PIPE	1		-H066976	
8-002	281-33340-201	JOINT PIPE	1	P	-H206490	
8-002	281-33340-202	JOINT PIPE	1	P	H206491-	
8-003	990-51050-253	HEX. HOLE BOLT 5X25	1			
8-004	990-51050-223	HEX. HOLE BOLT 5X22	1			
8-005	992-10050-012	S. WASHER 5	2			
8-006	356-33331-800	ADAPTOR COMP.	1		-E163248	
8-006	356-33315-800	ADAPTOR COMP.	1	M	E163249-	
8-007	320-33315-200	SPACER	1	M	E163249-	
8-008	360-33315-200	SPACER	1			
8-009	760-33315-200	SPECIAL WASHER	1	M	E163249-	
8-010.1	870-33564-900	THROTTLE LEVER ASS'Y	1	R	-E262475	
8-010.1	870-33564-901	THROTTLE LEVER ASS'Y	1		-H206490	
8-010	870-37003-900	THROTTLE LEVER ASS'Y	1	M	H206491-	
8-011.1	880-33564-200	THROTTLE ARM	1			
8-012.1	832-33564-200	RETURN SPRING	1			
8-013.1	162-33564-200	STOP SWITCH	1		-E262475	
8-013.1	162-33564-210	STOP SWITCH	1	M	-H206490	
8-014.1	262-33564-200	STOP SWITCH SPRING	1			
8-015.1	176-33564-200	EARTH TERMINAL	1			
8-016.1	956-33564-200	LOCK BUTTON A	1			
8-017.1	958-33564-200	LOCK BUTTON SPRING	1			
8-018.1	957-33564-200	LOCK BUTTON B	1			
8-019.1	990-11050-301	SCREW 5X30	2	I	-F113450	
8-019.1	994-31050-301	SCREW 5X30	2		-H206490	
8-020.1	994-31050-251	SCREW 5X25	1			
8-021.1	991-86050-000	SELF-LOCK NUT 5	3			
8-011	880-37101-200	THROTTLE ARM	1			
8-012	832-37101-200	RETURN SPRING	1			
8-013	162-37101-200	STOP SWITCH	1			
8-014	262-37101-200	STOP SWITCH SPRING	1			
8-015	176-37101-200	EARTH TERMINAL A	1			
8-016	177-37101-200	EARTH TERMINAL B	1			
8-017	259-37101-200	STOP SWITCH BASE	1			
8-018	993-42030-081	TAPPING SCREW 3X8	3			
8-019	991-86050-000	SELF-LOCK NUT 5	1			
8-020	993-55060-001	STOP RING 6	1			
8-021	994-31050-251	SCREW 5X25	1			
8-022	853-37101-200	LOCK BUTTON SHAFT	1	M	H206491-	
8-023	958-37101-200	LOCK BUTTON SPRING	1	M	H206491-	
8-024	956-37101-200	LOCK BUTTON	1	M	H206491-	
8-026	500-33560-200	HANDLE	1			
8-027	506-33560-200	HANDLE BRACKET A	1			
8-028	990-21060-451	BOLT 6X45	2			
8-029	992-01060-011	WASHER 6	2			
8-030	992-10060-012	S. WASHER 6	2			
8-031	991-01060-011	NUT 6	2			
8-032	341-33331-900	DRIVE SHAFT PIPE ASS'Y	1			
8-033	347-33411-912	BUSHING ASS'Y	5	M		
8-033	347-33411-912	BUSHING ASS'Y	4			
8-035	343-33331-200	DRIVE SHAFT	1			
8-036	708-32350-200	CHOKE VALVE SHIM	1	M	E262476-	

# FIG.9 GEAR CASE



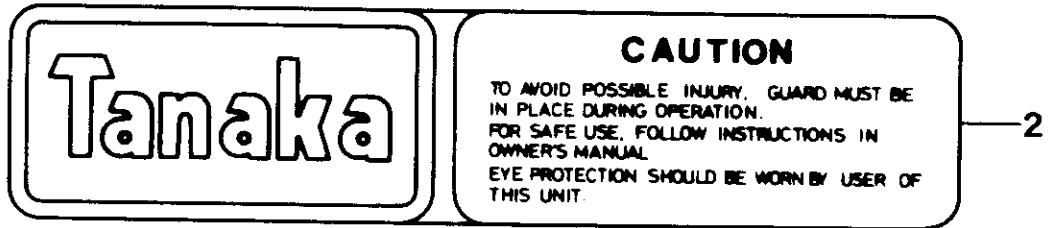
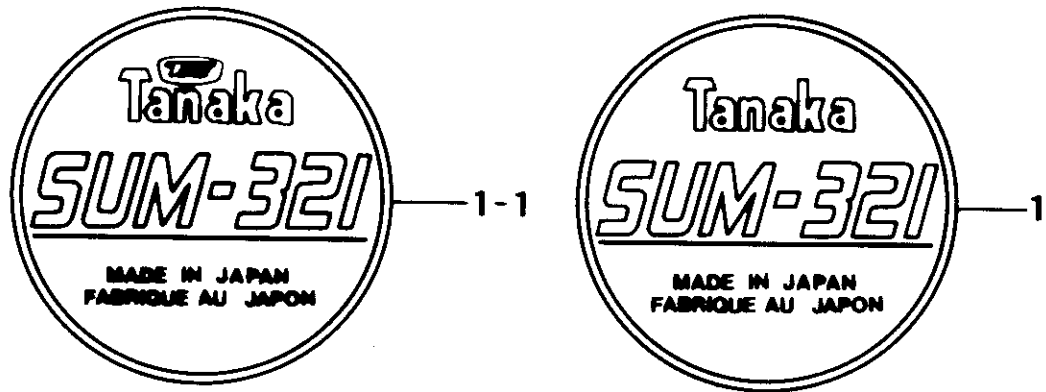
REF. NBR	PART NBR	PART NAME	QTY	SERIAL NBR	REMARKS
9-001	312-33411-200	CUTTER FIXING BOLT/L.H.T.	1		
9-002	992-29080-000	TOOTHED LOCK WASHER 8 L/H	1		
9-003	316-33410-200	BOLT PROTECTION COVER	1		
9-004	311-33411-201	CUTTER HOLDER CAP	1		
9-005	310-33524-201	CUTTER HOLDER	1	R -G252024	
9-005	310-33524-202	CUTTER HOLDER	1	G252025-	
9-008	300-37000-910	GEAR CASE ASS'Y	1	R -E262475	
9-008	300-37000-911	GEAR CASE ASS'Y	1	R -G252024	
9-008	300-37000-912	GEAR CASE ASS'Y	1	-H162320	
9-008	300-37000-920	GEAR CASE ASS'Y	1	P H162321-	
9-009	993-51032-002	STOP RING C-32 IN	1		
9-010	999-61600-204	BALL BEARING #6002DD, 32MM/OD	1	I -F066200	
9-010	999-61600-203	BALL BEARING 6002D, 32MM/OD	1	F066201-	
9-011	304-37000-200	GEAR SHAFT	1		
9-012	301-33411-200	GEAR	1		
9-013	999-61600-000	BALL BEARING #6000, 26MM/OD	2		
9-014	990-23060-121	BOLT 6X12 W/PLUS	2		
9-015	317-33411-201	OILING GASKET	1		
9-016	990-51050-203	HEX. HOLE BOLT 5X20	2		
9-017	991-01050-011	HEX. NUT 5	2		
9-018	300-33410-210	GEAR CASE	1	R -E262475	
9-018	300-33410-211	GEAR CASE	1	R -G252024	
9-018	300-33410-212	GEAR CASE	1	-H162320	
9-018	300-33410-220	GEAR CASE	1	P H162321-	
9-019	324-33410-201	GEAR CASE WASHER	2		
9-020	302-37000-200	PINION	1		
9-021	999-61600-004	BALL BEARING #6000DD, 26MM/OD	1	I -F066200	
9-021	999-61600-003	BALL BEARING 6000D, 26MM/OD	1	F066201-	
9-022	993-50010-002	STOP RING C-10 EX	1		
9-023	993-51026-002	STOP RING C-26 IN	1		
9-024	992-01080-011	WASHER 8	1	N H162321-	
9-030	442-33671-201	SAFETY GUARD BRACKET	1		
9-031	441-37003-801	SAFETY GUARD COMP., METAL	1	R -H066976	
9-031	441-37003-802	SAFETY GUARD COMP., METAL	1	H066977-	
9-032	990-23060-151	BOLT 6X15 W/PLUS	2		
9-033	992-10060-012	S.WASHER 6	2		

# FIG.10 TOOLS & OPTIONAL PARTS



REF. NBR	PART NBR	PART NAME	QTY	SERIAL NBR	REMARKS
10-001	805-33413-200	BLADE 4 TEETH 255	1	I -G025900	
10-002	809-33411-200	BLADE 80 TEETH 255	1		
10-003	752-33900-200	LOCKING BAR	1	D G252025-	
10-004	813-20000-200	HEX. WRENCH 4	1		
10-005, 1	826-20000-200	BOX SPANNER 17X19	1	R -H066976	
10-005	826-20000-800	COMBI BOX WRENCH 17X19	1	H066977-	
10-006	951-20000-200	HANDLE 8X120	1	D H066977-	
10-007	862-20000-200	PLUS DRIVER 4	1	D H066977-	
10-018	801-20000-200	SPANNER 8X10	1		
10-022, 1	615-33411-900	CUTTER COVER ASS'Y	1	I -G004350	
10-022	615-33680-200	CUTTER COVER (255MM)	1	G004351-	
10-023	615-33411-200	CUTTER COVER	1	D G004351-	
10-024	616-33411-200	CUTTER COVER BAND	1	D G004351-	
10-027	948-39907-200	TOOL BAG	1		

# FIG.11 MARKS



REF. NBR	PART NBR	PART NAME	QTY	SERIAL NBR	REMARKS
11-001, 1	906-0136U-200	NAME PLATE	1	R -F153661	
11-001	906-0136U-201	NAME PLATE	1	F153662-	
11-002	929-33802-200	SYMBOL MARK	1		

## Free Manuals Download Website

<http://myh66.com>

<http://usermanuals.us>

<http://www.somanuals.com>

<http://www.4manuals.cc>

<http://www.manual-lib.com>

<http://www.404manual.com>

<http://www.luxmanual.com>

<http://aubethermostatmanual.com>

Golf course search by state

<http://golfingnear.com>

Email search by domain

<http://emailbydomain.com>

Auto manuals search

<http://auto.somanuals.com>

TV manuals search

<http://tv.somanuals.com>