

Tanaka



Parts Catalog



Brush Cutter

Model: TBC-205

DPL-BC205-HST 03-18-96

TBC-205

OPTIONS AND ACCESSORIES

NYLON LINE



- 746156 .095, Box, 50 ft.
- 746157 .105, Box, 50 ft.
- 746160 .095, 1/2 lb. Box, 143 ft.
- 746161 .105, 1/2 lb. Box, 110 ft.
- 746165 .095, 1 lb. Box, 285 ft.
- 746166 .105, 1 lb. Box, 235 ft.
- 746169 .095, 3 lb. spool, 855 ft.
- 746170 .105, 3 lb. spool, 705 ft.
- 746173 .095, 5 lb. spool, 1425 ft.
- 746174 .105, 5 lb. spool, 1175 ft.

SEMI-AUTO HEAD



746153 PNH-180

Parts List

ET-1201	Body
ET-1206	Cap
ET-1225	Adapter
ET-1205	Spool
ET-1207	Eyelet
ET-1208	Spring
ET-1209	Bump Disk

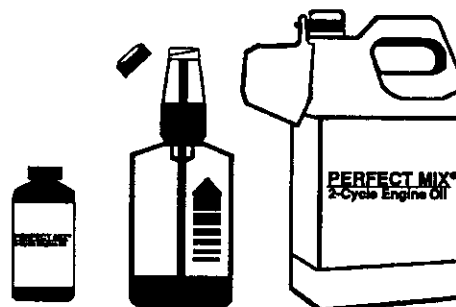
ALUMINUM MANUAL HEAD



PCH-100
(746180)

PCH-300
(746190)

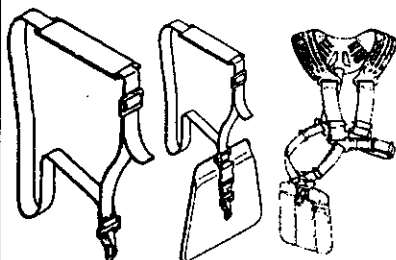
PERFECT MIX® 2-Cycle Engine Oil



- 700109 2.8 oz. Bottle, 1 Gallon Size (24*)
 - 700108 16 oz. Self-measuring Bottle (24*)
 - 700110 1 Gallon Jug Commercial Size (6*)
- * Case Quantity

TH-96 "Brain Head" can
be used on this unit

SHOULDER STRAPS



PSS-175 SS-250* SS-400*

* Requires 355-37302-900

BLADES



- 746101 Weed Blade, 9"X4T
- 746103 Weed Blade, 9"X48T
- 746104 Saw Blade, 9"X80T
- 746192 Carbide Blade, 9"X36T

MANUALS / CATALOGS

- | | |
|---------------|----------------|
| 970-33901-201 | Owner's Manual |
| DPL-BC205-HST | Parts Catalog |
| WSM-TBC | Service Manual |

SPECIAL TOOLS

- | | | | |
|---------------|--------------------|---------------|-----------------|
| 006-29326-000 | Flywheel Remover | 037-29376-000 | Clutch Remover |
| 009-29323-500 | Piston Pin Remover | 001-29000-000 | Tachometer |
| 015-29338-000 | Gear Shaft Remover | 070-2000W-500 | Pressure Tester |
| 016-29338-000 | Pinion Remover | 070-2000W-501 | Carb. Tool Kit |



FIG.1 ENGINE

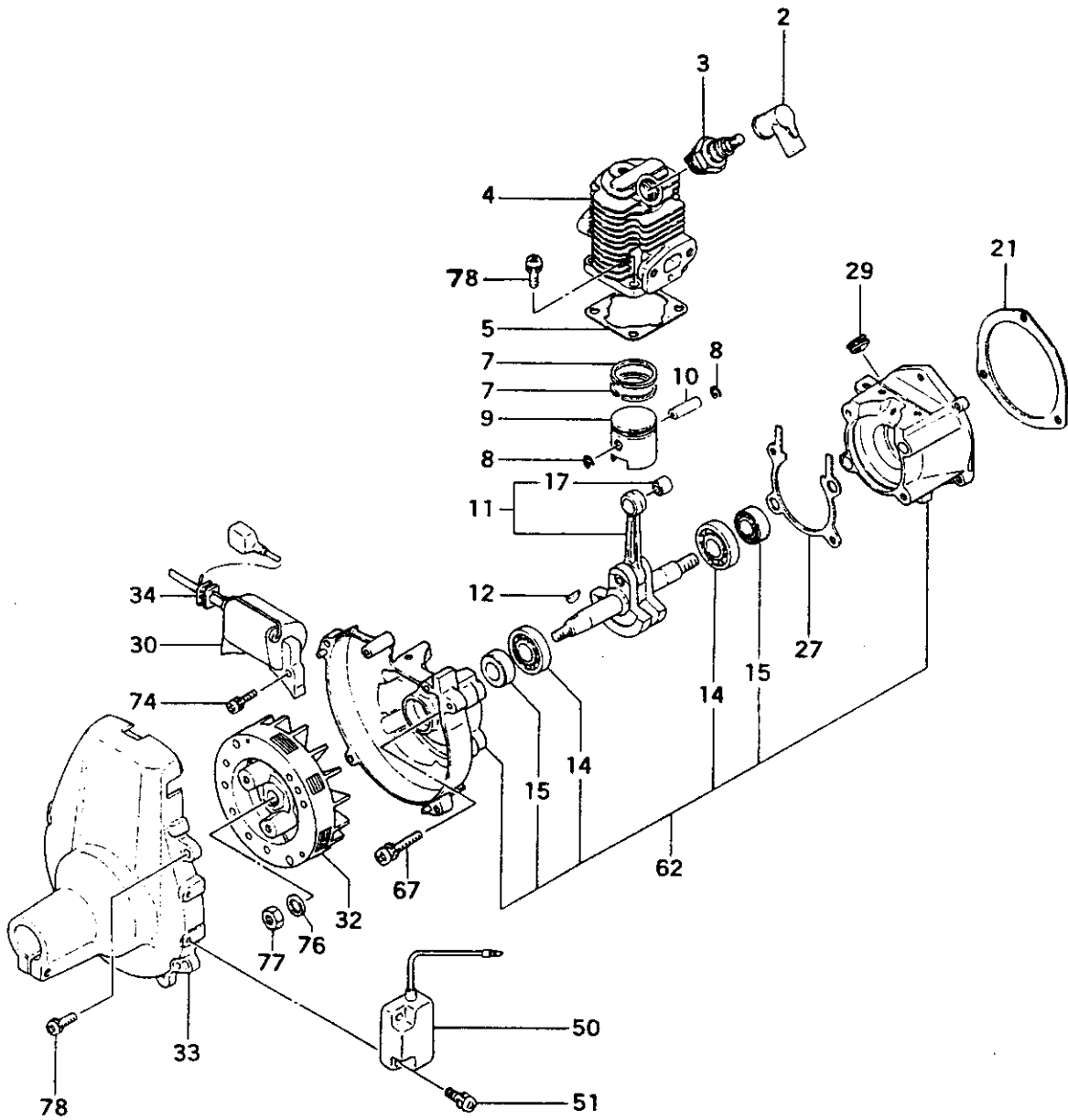


FIGURE 1

TBC-205 PARTS LISTING

REF.	PART NO.	PART DESCRIPTION	Q	C	S	SERIAL NO.	REMARKS
2	157-01570-900	CAP,SPARK PLUG,ASS'Y	1		C		
3	018-01805-200	PLUG,SPARK	1		B		
4	002-0602K-801	CYLINDER	1		D		
5	017-06100-200	GASKET,CYLINDER	1		C		
7	041-06100-200	RING,PISTON	2		C		
8	039-06100-200	CIRCLIP,PISTON PIN	2		A		
9	031-06100-200	PISTON	1		D		
10	037-06100-200	PIN,PISTON	1		D		
11	046-0605A-800	CRANKSHAFT	1		D		
12	068-10100-200	KEY,WOODRUFF,3X13X4.5	1		C		
14	999-61600-100	BEARING,BALL,#6001	1		B		
15	999-66122-240	SEAL,OIL,12227	2		A		
21	810-06000-201	GASKET,RECOIL STARTER	1		D		
27	090-06000-202	GASKET,CRANKCASE	1		C		
29	203-06000-200	GROMMET,PRIMARY CORD	1		C		
30	167-21507-802	COIL,IGNITION	1		C		
32	155-21702-800	ROTOR,MAGNETO	1		D		
33	112-0608A-901	CASE,FAN	1		D		
34	203-0604A-202	GROMMET	1		C		
50	159-21401-870	IGNITOR,TTI-ID	1		B		
51	994-14040-141	SCREW,4X14/S	2		D		
62	072-0605A-900	CRANKCASE,ASS'Y	1		D		
67	994-14050-301	SCREW,5X30/S	4		D		
74	994-14040-181	SCREW,S,4X18	2		D		
76	065-00000-200	WASHER,FLYWHEEL	1		D		
77	327-00201-201	NUT,L.H,7	1		D		
78	994-14050-161	SCREW,5X16/S	8		C		

* Indicates the part is included in a kit or assembly and is not available individually. Q=Quan. used C=Interchangeability S=Stocking code: A-Fast moving B=Med. fast C=Med. move D=Slow move E=N.L.A. F=Superceded or replaced by a new part

FIGURE 2

TBC-205 PARTS LISTING

REF.	PART NO.	PART DESCRIPTION	Q	C	S	SERIAL NO.	REMARKS
1	738-0608A-200	PROTECTOR,BLACK	1		D		
4	737-06100-21	GASKET,MUFFLER	2		B		
5	133-0604A-203	SHIELD,HEAT	1		E		
6	403-0608A-200	GASKET,INLET MANIFOLD	1		E		
7	404-06020-202	INSULATOR,CARBURETOR	1		D		
11	885-0608A-901	WIRE,THROTTLE	1		B		
12	436-0608A-200	BASE,CLEANER	1		D		
14	410-0608A-902	CLEANER,AIR ASS'Y	1		D		
14-1	423-0608A-201	BODY,CLEANER	1		D		
14-2	446-0602W-200	ELEMENT,CLEANER	1		A		
14-3	424-0137R-200	COVER,AIR CLEANER	1		B		
15	357-00601-200	BOLT,STEP,CLUTCH	2		C		
16	358-02103-200	WASHER,CLUTCH A	2		A	-B003000	
16	348-0602R-200	WASHER,CLUTCH A	2		B	B003001~	
17	342-0605A-201	SPRING,CLUTCH	2		C		
18	290-00501-802	SHOE,CLUTCH	2		A		
19	359-02103-200	WASHER,CLUTCH,B	2		B		
20	798-06094-200	PULLEY,STARTER	1		D		
23	655-06100-200	CUSHION,TANK	2		A		
24	653-06000-200	BRACKET,TANK	1		C		
27	655-01551-200	CUSHION,TANK	2		C		
28	102-01300-200	INSULATOR	1		D		
30	991-16080-003	NUT,8/L.H	1		D		
36	680-04019-210	CLIP,7	1		B		
38	675-0608A-900	FILTER,FUEL	1		A		
44	500-33202-205	CAP,RUBBER PIPE	1		A		
45	678-00601-201	PIPE,RUBBER	1		A		
55	591-0608A-203	TANK	1		C		
59	700-03005-130	PIPE,FUEL,3X5X130	1		B		
60	870-0608A-903	LEVER,THROTTLE ASS'Y	1		D		
61	170-0604A-800	BUTTON,STOP	1		D		
72	359-10112-203	WASHER,CLUTCH B	1		A		
80	994-15040-101	SCREW,4X10	1		D		
82	994-15050-101	SCREW,5X10/PS	1		D		
84	994-16050-451	SCREW,5X45/S	2		D		
86	994-16050-101	SCREW,WS,5X10	2		D		
86	994-16050-121	SCREW,5X12/PS	4		D		
87	994-16050-141	SCREW,5X14/WS	1		D		

* Indicates the part is included in a kit or assembly and is not available individually. Q=Quan. used C=Interchangeability S=Stocking code: A=Fast moving B=Med. fast C=Med. move D=Slow move E=N.L.A. F=Superseded or replaced by a new part

FIGURE 2 cont.

TBC-205 PARTS LISTING

REF.	PART NO.	PART DESCRIPTION	Q	C	S	SERIAL NO.	REMARKS
150	994-15050-651	SCREW,5X75	2		D		
153	994-14050-101	SCREW,S,5X10	4		D		
155	994-25050-201	BOLT,5X20/PS	1		D		
166	991-01060-021	NUT,6	2		D		
167	992-00050-011	WASHER,SMALL,5	3		C		
168	992-01050-011	WASHER,5	2		A		
169	992-10050-012	WASHER,S,5	3		A		
175	595-0650A-90	CAP,TANK	1		A		
186	941-06092-200	STAND	1		D		
187	289-06091-900	SHAFT,CLUTCH ASS'Y	1		B		
188	993-51032-002	RING,STOP,C-32 IN	1		C		
189	999-61620-101	BEARING,BALL #6201ZZ	1		C		
190	993-50012-002	RING,STOP,C-12 EX	1		A		
191	801-0604A-201	WASHER,STEP	1		D		
192	999-67007-000	O-RING,P7	1		C		
193	992-05080-030	WASHER,8	2		C	-B003000	
193	992-04080-030	WASHER,8	2		C	B003001~	
204	402-00601-20	GASKET,CARBURETOR	1		A		
208	894-01226-200	ADJUSTER,THROTTLE WIRE	1		C		
216	716-0608A-800	BODY,MUFFLER,A	1		D		
217	739-0602B-200	GASKET,MUFFLER COUPLING	2		B		
218	717-0608A-200	BODY,MUFFLER,B	1		D		
222	528-0602W-202	PLATE,CHOKE	1		D		
223	470-0602N-200	COLLAR,CLEANER	2		C		
225	706-0608A-910	MUFFLER,ASS'Y	1		D		
226	722-0608A-800	PARTITION,MUFFLER	1		D		
227	740-0602B-201	COLLAR,MUFFLER	2		D		
262	994-16050-141	SCREW,5X14/WS	1		D		
263	906-0608A-201	DECAL	1		E		
264	906-32124-200	DECAL	1		D		

* Indicates the part is included in a kit or assembly and is not available individually. Q=Quan. used C=Interchangeability S=Stocking code: A=Fast moving B=Med. fast C=Med. move D=Slow move E=N.L.A. F=Superseded or replaced by a new part

FIG.3 RECOIL STARTER

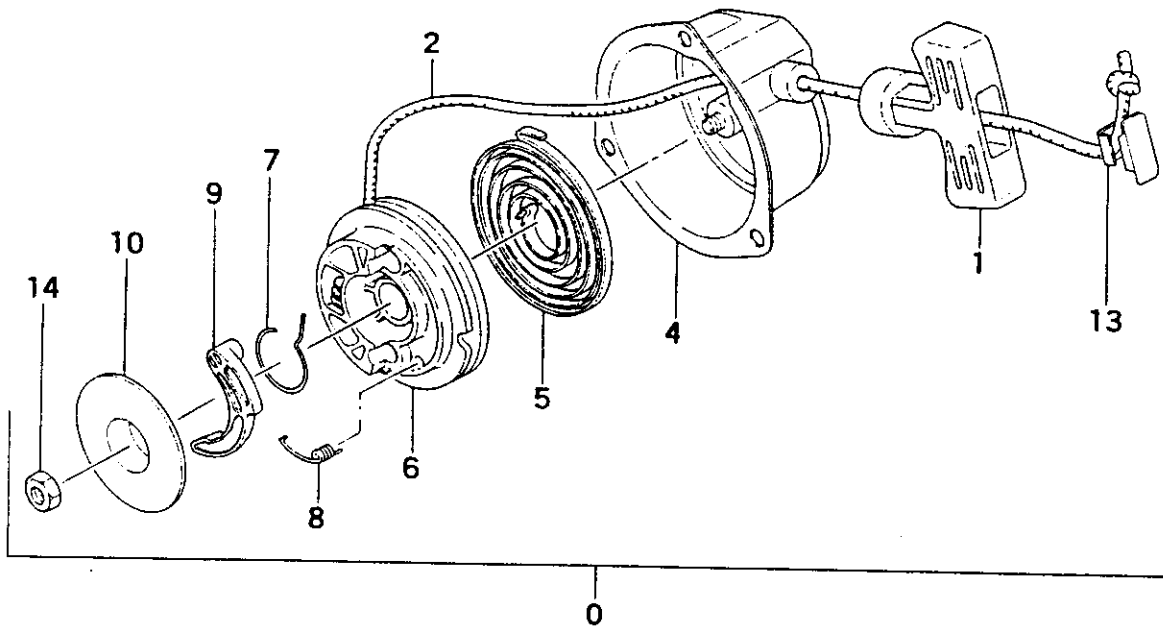


FIGURE 3

TBC-205 PARTS LISTING

REF.	PART NO.	PART DESCRIPTION	Q	C	S	SERIAL NO	REMARKS
0	762-06092-901	STARTER,RECOIL ASS'Y	1		C		
1	785-06000-200	HANDLE,STARTER	1		D		
2	783-0162V-200	ROPE,STARTER,3.5X890	1		D		
4	772-0604A-800	BODY,RECOIL STARTER	1		D		
5	779-06000-200	SPRING,RECOIL	1		B		
6	774-06000-210	PULLEY,STARTER	1		D		
7	836-06000-200	SPRING,FRICION	1		D		
8	832-01500-200	SPRING,RETURN	1		C		
9	788-06000-210	PAWL,STARTER	1		D		
10	837-06092-200	PLATE,FRICION	1		D		
13	815-06000-200	METAL,STARTER HANDLE	1		D		
14	991-01050-013	NUT,5	1		C		

FIG.4 CARBURETOR

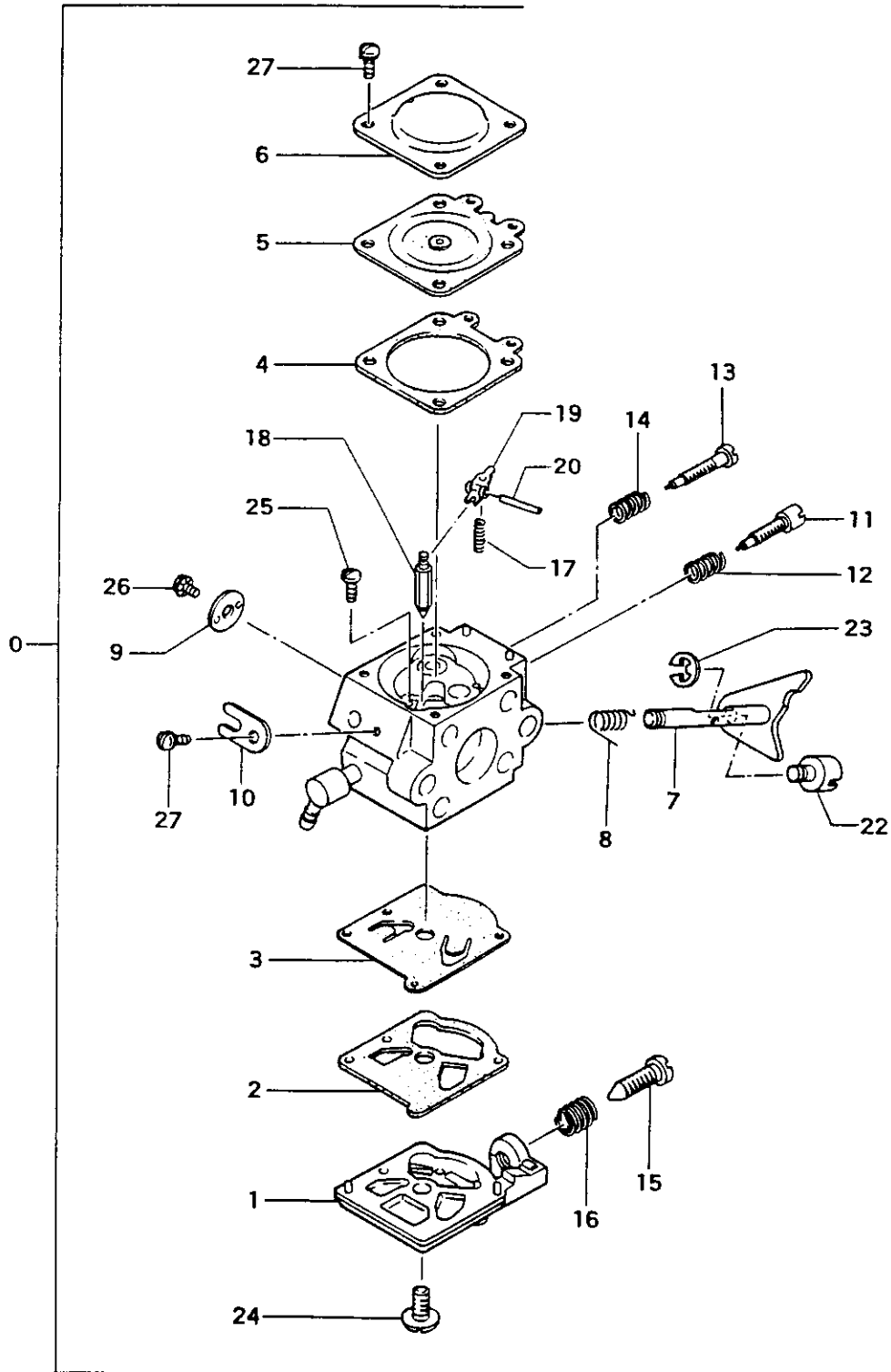


FIGURE 4

TBC-205 PARTS LISTING

REF.	PART NO.	PART DESCRIPTION	Q	C	S	SERIAL NO.	REMARKS
0	455-25009-900	CARBURETOR,ASSY	1		E		
1	575-25006-200	BODY,PUMP	1		D		
2	----	(1)(2)GASKET,PUMP	1		D		(1) Carb. Repair Kit 650-25001-910
3	----	(1)(2)DIAPHRAGM,PUMP	1		C		
4	----	(1)(2)GASKET,DIAPHRAGM	1		A		
5	----	(1)(2)DIAPHRAGM,METERING	1		A		(2) Carb. Gasket/Dia. Kit 652-25001-910
6	476-25004-200	COVER,DIAPHRAGM	1		D		
7	464-25006-800	SHAFT,THROTTLE	1		D		
8	486-25009-200	SPRING,THROTTLE	1		C		
9	488-25006-200	VALVE,THROTTLE	1		D		
10	557-25006-200	CLIP,THROTTLE SHAFT	1		D		
11	460-25006-200	SCREW,HIGH ADJUST	1		D		
12	485-25003-200	SPRING,ADJUST,HIGH	1		D		
13	461-25006-200	SCREW,ADJUST,LOW	1		D		
14	623-25001-200	SPRING,ADJUST,LOW	1		D		
15	462-25006-200	SCREW,IDLE ADJUST	1		D		
16	463-25006-200	SPRING,IDLE ADJUST	1		D		
17	477-25003-200	SPRING,VALVE	1		D		
18	----	(1)VALVE,NEEDLE	1		C		
19	----	(1)HINGE,VALVE	1		C		
20	----	(1)PIN,FLOAT	1		D		
22	539-25008-200	SWIVEL	1		C		
23	489-25008-200	RING,STOP	1		C		
24	514-25001-200	SCREW,SET	1		D		
25	546-25001-200	SCREW,SET,HINGE PIN	1		D		
26	467-25003-200	SCREW,SHUTTER	1		C		
27	548-25012-200	SCREW,SET	5		D		

(1) (2) Indicates the part is included in a kit or assembly and is not available individually.
 Q=Quan. used C=Interchangeability S=Stocking code: A-Fast moving B=Med. fast C=Med. move
 D=Slow move E=N.L.A. F=Superseded or replaced by a new part

FIG.5 GEAR CASE

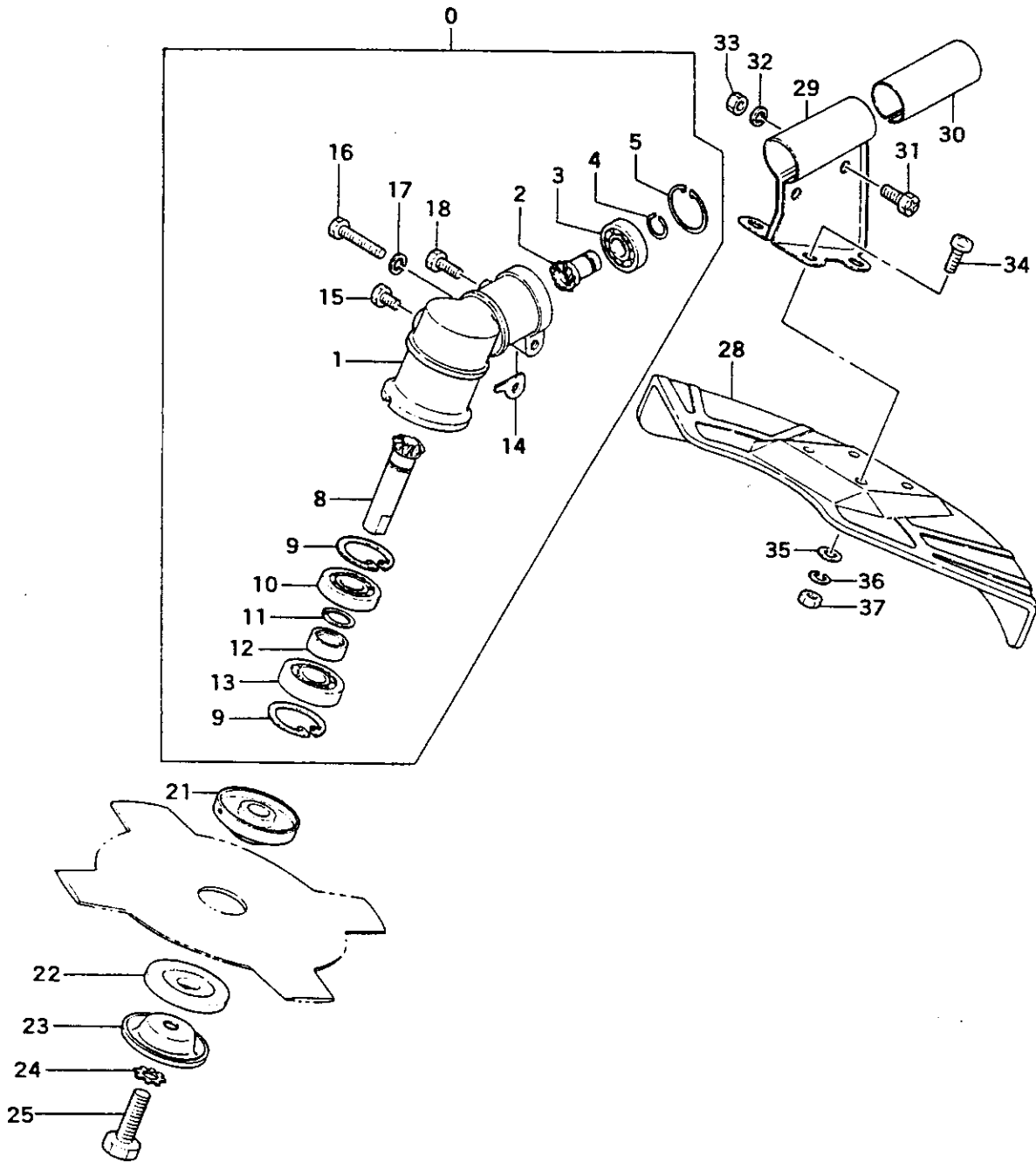


FIGURE 5

TBC-205 PARTS LISTING

REF.	PART NO.	PART DESCRIPTION	Q	C	S	SERIAL NO.	REMARKS
0	300-33904-900	CASE,GEAR,ASS'Y	1		C		
1	300-33904-202	CASE,GEAR	1		D		
2	302-33900-200	PINION	1		B		
3	999-61609-001	BEARING,BALL,609ZZ	1		D		
4	993-52009-002	RING,STOP,S-9 EX	1		C		
5	993-51024-002	RING,STOP,C-28,IN	1		C		
8	301-33900-200	GEAR	1		B		
9	993-51028-002	RING,STOP,IN,C-28	2		C		
10	999-61600-100	BEARING,BALL,#6001	1		B		
11	993-57012-002	RING,STOP,12	1		C		
12	342-33900-200	COLLAR	1		D		
13	999-61600-103	BEARING,BALL,#6001D	1		A		
14	324-33900-200	WASHER,GEAR CASE	1		D		
15	990-23060-101	BOLT,PLUS,6X10	1		D		
16	990-23050-251	BOLT,PLUS,5X25	1		C		
17	992-10050-012	WASHER,S,5	1		A		
18	990-23050-101	BOLT,5X10	1		D		
21	310-33900-200	HOLDER,CUTTER	1		C		
22	311-33900-200	CAP,CUTTER HOLDER	1		C		
23	316-33410-200	PROTECTOR,BOLT	1		A		
24	992-29080-000	WASHER,TOOTHED LOCK,8	1		B		
25	312-33700-200	BOLT,8,L.H.,THREAD	1		B		
28	441-33700-220	GUARD,SAFETY	1		C		
29	442-33410-200	BRACKET,SAFETY GUARD	1		D		
30	444-33900-200	SPACER,BRACKET	1		D		
31	990-23050-151	BOLT,P,5X15	2		D		
32	992-10060-012	WASHER,S,6	2		A		
33	991-01060-011	NUT,6	2		A		
34	990-11050-121	SCREW,5X12	4		A		
35	992-01050-011	WASHER,5	4		A		
36	992-10050-012	WASHER,S,5	8		A		
37	991-01050-011	NUT,5	6		A		

* Indicates the part is included in a kit or assembly and is not available individually. Q=Quan. used C=Interchangeability S=Stocking code: A=Fast moving B=Med. fast C=Med. move D=Slow move E=N.L.A. F=Superseded or replaced by a new part

FIG.6 DRIVE SHAFT & HANDLE

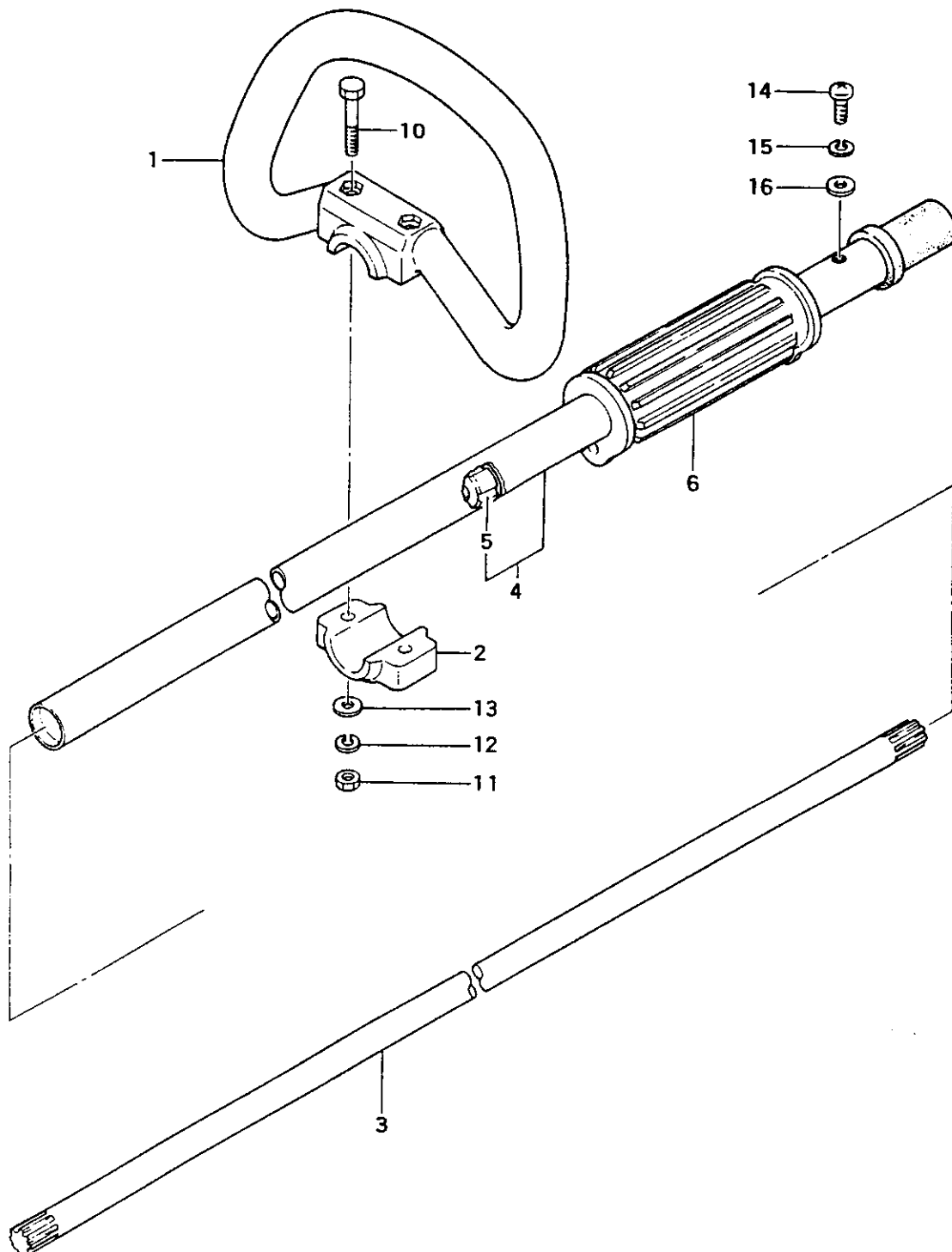


FIGURE 6

TBC-205 PARTS LISTING

REF.	PART NO.	PART DESCRIPTION	Q	C	S	SERIAL NO.	REMARKS
1	500-33900-210	HANDLE	1		D		
2	506-33900-200	BRACKET,HANDLE,A	1		D		
3	343-33900-201	SHAFT,DRIVE	1		C		
4	341-33901-800	PIPE,DRIVE SHAFT	1		D		
5	347-33900-900	BUSHING,ASS'Y	1		D		
6	504-33900-200	GRIP,SHAFT	1		D		
10	990-21060-451	BOLT,6X45	2		D		
11	991-01060-011	NUT,6	2		A		
12	992-10060-012	WASHER,S,6	2		A		
13	992-01060-011	WASHER,6	2		A		
14	990-11060-101	SCREW,6X10	1		D		
15	992-10060-012	WASHER,S,6	1		A		
16	992-00060-011	WASHER,SMALL,6	1		C		

* Indicates the part is included in a kit or assembly and is not available individually. Q=Quan. used C=Interchangeability S=Stocking code: A=Fast moving B=Med. fast C=Med. move D=Slow move E=N.L.A. F=Supersceded or replaced by a new part

FIG.7 TOOLS

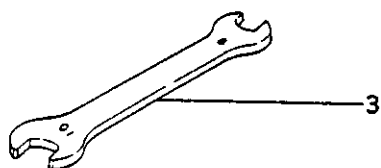
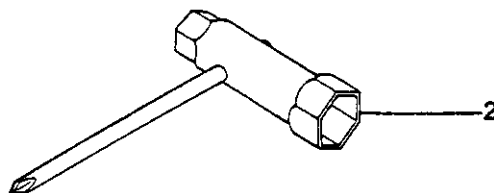
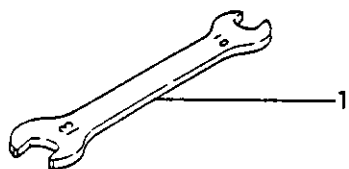


FIGURE 7

TBC-205 PARTS LISTING

REF.	PART NO.	PART DESCRIPTION	Q	C	S	SERIAL NO.	REMARKS
1	808-20000-200	SPANNER,10X13	1		D		
2	829-20000-80	SPANNER,COMBI,13X19	1		C		
3	801-20000-200	SPANNER,8X10	1		D		
4	752-33900-200	BAR,LOCKING	1		C		

Free Manuals Download Website

<http://myh66.com>

<http://usermanuals.us>

<http://www.somanuals.com>

<http://www.4manuals.cc>

<http://www.manual-lib.com>

<http://www.404manual.com>

<http://www.luxmanual.com>

<http://aubethermostatmanual.com>

Golf course search by state

<http://golfingnear.com>

Email search by domain

<http://emailbydomain.com>

Auto manuals search

<http://auto.somanuals.com>

TV manuals search

<http://tv.somanuals.com>