

***Tanaka***

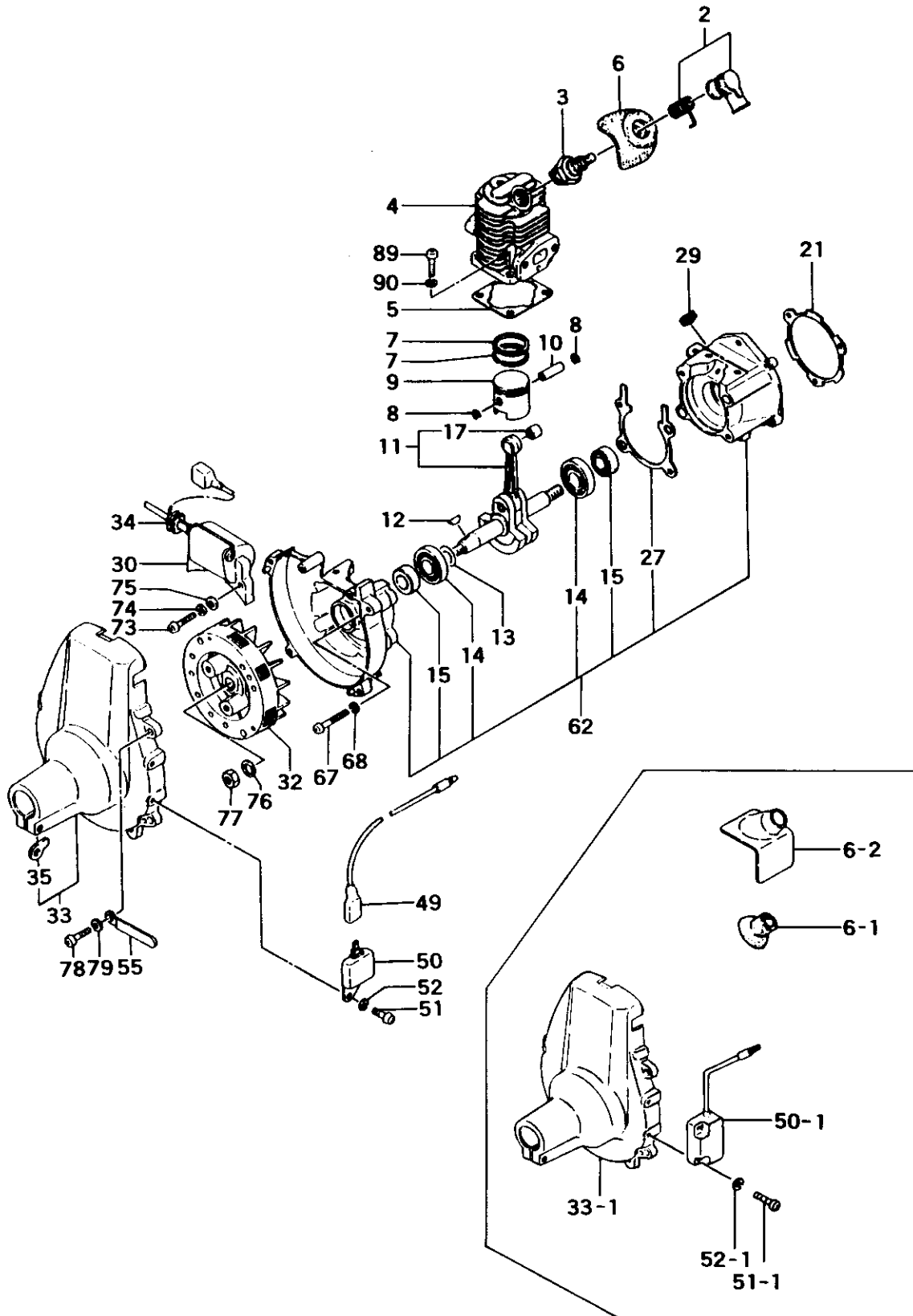
**Parts Catalog**

**Trimmer/Brushcutter**

**Model: TBC-215**

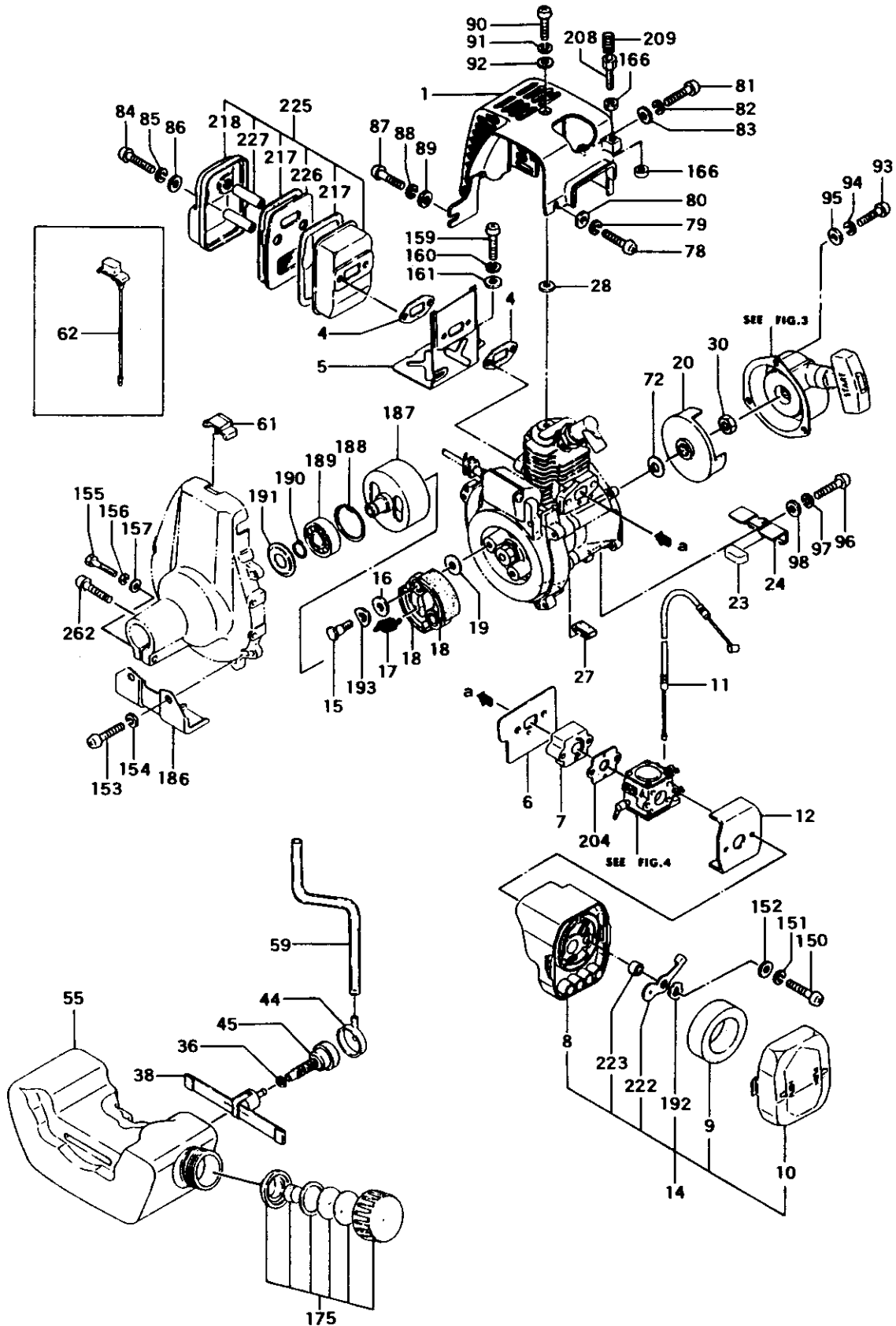
**Units Prior To Serial No. F014100**

# FIG.1 ENGINE



| REF. NBR | PART NBR      | PART NAME                      | QTY |   | SERIAL NBR | REMARKS |
|----------|---------------|--------------------------------|-----|---|------------|---------|
| 1-002    | 157-04000-900 | SPARK PLUG CAP ASS'Y           | 1   | R | -E173579   |         |
| 1-002    | 157-04200-900 | SPARK PLUG CAP ASS'Y           | 1   |   | E173580-   |         |
| 1-003    | 018-00502-200 | SPARK PLUG BMGA                | 1   |   |            |         |
| 1-004    | 002-06091-801 | CYLINDER COMP.                 | 1   | M |            |         |
| 1-004    | 002-06092-800 | CYLINDER COMP.                 | 1   | I | -C021652   |         |
| 1-004    | 002-06092-801 | CYLINDER COMP.                 | 1   | R | -D082525   |         |
| 1-004    | 002-06092-802 | CYLINDER COMP.                 | 1   | R | -D082525   |         |
| 1-004    | 002-06092-803 | CYLINDER COMP.                 | 1   |   | D082526-   |         |
| 1-005    | 017-06091-200 | CYLINDER GASKET                | 1   | I | -E165450   |         |
| 1-005    | 017-06091-201 | CYLINDER GASKET                | 1   |   | E165451-   |         |
| 1-006, 1 | 255-0062A-200 | SPARK PLUG RUBBER COVER        | 1   | R | -C213509   |         |
| 1-006, 2 | 255-0608A-200 | SPARK PLUG RUBBER COVER        | 1   | R | -E165450   |         |
| 1-006    | 255-0630G-210 | SPARK PLUG RUBBER COVER        | 1   |   | E165451-   |         |
| 1-007    | 041-00000-200 | PISTON RING                    | 2   |   |            |         |
| 1-008    | 039-06100-200 | CIR CLIP                       | 2   |   |            |         |
| 1-009    | 031-06091-200 | PISTON COMP.                   | 1   | R | -B241787   |         |
| 1-009    | 031-06091-201 | PISTON COMP.                   | 1   |   | -C097928   |         |
| 1-009    | 031-06097-200 | PISTON                         | 1   | N | -D082525   |         |
| 1-009    | 031-06097-200 | PISTON                         | 1   | I | -D082525   |         |
| 1-009    | 031-06097-201 | PISTON                         | 1   |   | D082526-   |         |
| 1-010    | 037-06100-200 | PISTON PIN                     | 1   |   | -C097928   |         |
| 1-010    | 037-06097-200 | PISTON PIN                     | 1   | N | C097929-   |         |
| 1-011    | 046-06091-800 | CRANK SHAFT COMP.              | 1   |   |            |         |
| 1-012    | 068-10100-200 | WOOD-RUFF KEY 3X13X4.5         | 1   |   |            |         |
| 1-013    | 330-00200-210 | GEAR SHAFT SHIM 0.10           |     | V |            |         |
| 1-013    | 330-00200-220 | GEAR SHAFT SHIM 0.15           |     | V |            |         |
| 1-013    | 330-00200-230 | GEAR SHAFT SHIM 0.20           |     | V |            |         |
| 1-013    | 330-00200-240 | GEAR SHAFT SHIM 0.30           |     | V |            |         |
| 1-014    | 999-61600-100 | BALL BEARING #6001, 28MM/OD    | 2   |   |            |         |
| 1-015    | 999-66122-266 | OIL SEAL 12227                 | 2   |   |            |         |
| 1-017    | 999-62071-127 | NEEDLE BEARING F-79            | 1   |   |            |         |
| 1-021    | 810-06091-200 | RECOIL STARTER GASKET          | 1   | N | B133614-   |         |
| 1-027    | 090-06000-201 | CRANK CASE GASKET              | 1   | R | -C156400   |         |
| 1-027    | 090-06000-202 | CRANK CASE GASKET              | 1   |   | C156401-   |         |
| 1-029    | 203-06000-200 | PRIMARY CORD GROMMET           | 1   | N | C021635-   |         |
| 1-030    | 167-20757-800 | IGNITION COIL COMP.            | 1   | R | -C156400   |         |
| 1-030    | 167-20757-801 | IGNITION COIL COMP.            | 1   |   | C156401-   |         |
| 1-032    | 155-20702-800 | MAGNETO ROTOR COMP.            | 1   | M |            |         |
| 1-032    | 155-21702-800 | MAGNETO ROTOR COMP.            | 1   |   |            |         |
| 1-033, 1 | 112-0608A-201 | FAN CASE                       | 1   | I | -C213509   |         |
| 1-033, 1 | 112-0608A-202 | FAN CASE                       | 1   |   | -D192800   |         |
| 1-033    | 112-0608A-210 | FAN CASE                       | 1   | N | -D286226   |         |
| 1-033    | 112-0608A-800 | FAN CASE SET                   | 1   | P | D286227-   |         |
| 1-034    | 203-0604A-202 | GROMMET                        | 1   |   |            |         |
| 1-035    | 324-33900-200 | GEAR CASE WASHER               | 1   | N | D286227-   |         |
| 1-049    | 173-01620-800 | IGNITOR LEAD WIRE COMP., R110M | 1   | N | D206801-   |         |
| 1-050, 1 | 159-21401-871 | IGNITOR COMP. TTI-1E           | 1   |   | -D206800   |         |
| 1-050    | 159-21401-872 | IGNITOR COMP. TTI-1F           | 1   | N | D206801-   |         |
| 1-051, 1 | 990-11040-161 | SCREW 4X16                     | 2   |   | -D206800   |         |
| 1-051    | 990-11040-081 | SCREW 4X8                      | 1   | N | D206801-   |         |
| 1-052, 1 | 992-10040-012 | S.WASHER 4                     | 2   |   | -D206800   |         |
| 1-052    | 992-10040-012 | S.WASHER 4                     | 1   |   | D206801-   |         |
| 1-055    | 198-01046-200 | CORD CLAMP                     | 1   |   |            |         |
| 1-062    | 075-06092-800 | CRANK CASE ASS'Y               | 1   | M |            |         |
| 1-062    | 072-06092-900 | CRANK CASE ASS'Y               | 1   |   |            |         |
| 1-067    | 990-11050-301 | SCREW 5X30                     | 4   |   |            |         |
| 1-068    | 992-10050-012 | S.WASHER 5                     | 4   |   |            |         |
| 1-073    | 990-11040-181 | SCREW 4X18                     | 2   |   |            |         |
| 1-074    | 992-10040-012 | S.WASHER 4                     | 2   |   |            |         |
| 1-075    | 992-00040-011 | SMALL WASHER 4                 | 2   |   |            |         |
| 1-076    | 065-00000-200 | FLYWHEEL WASHER                | 1   |   |            |         |
| 1-077    | 327-00201-200 | NUT 7 (L. H. THREAD)           | 1   |   |            |         |
| 1-078    | 990-11050-161 | SCREW 5X16                     | 4   |   |            |         |
| 1-079    | 992-10050-012 | S.WASHER 5                     | 4   |   |            |         |
| 1-089    | 990-11050-181 | SCREW 5X18                     | 4   |   |            |         |
| 1-090    | 992-10050-012 | S.WASHER 5                     | 4   |   |            |         |

# FIG.2 ENGINE COMPONENTS

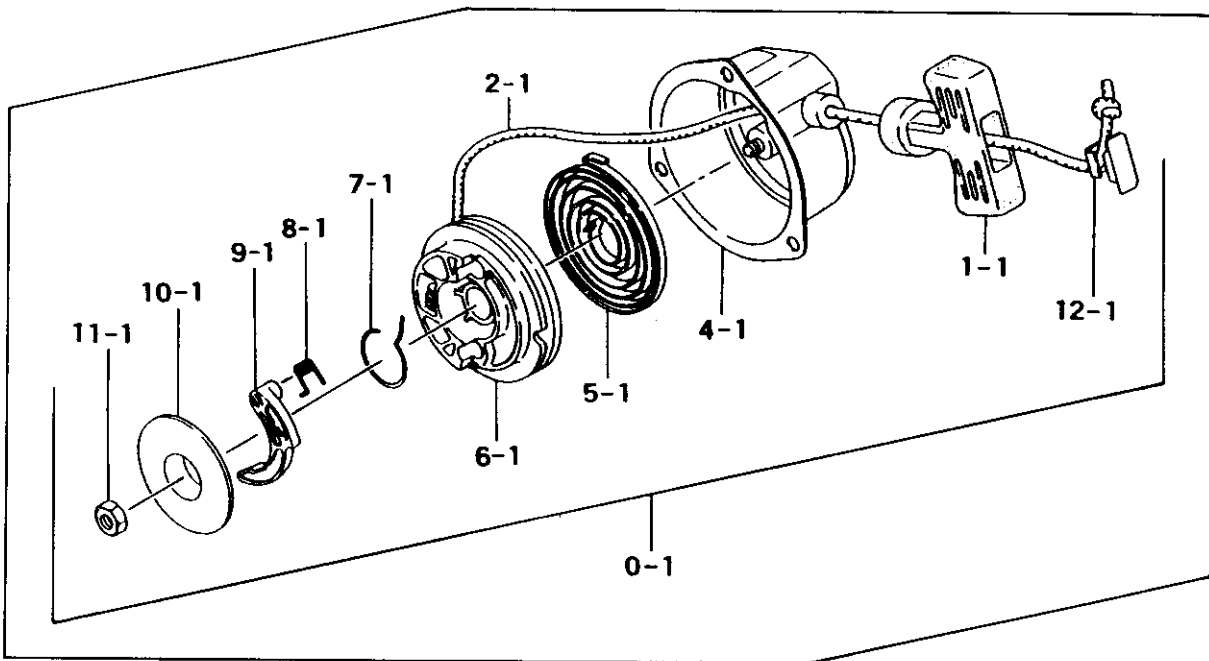
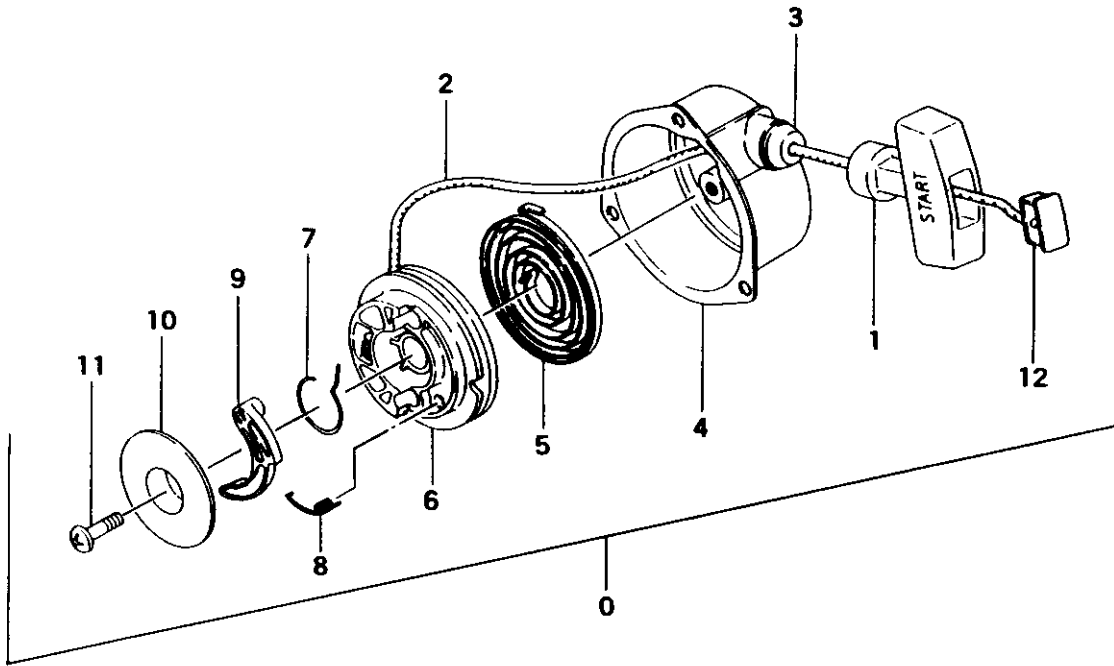


| REF. NBR | PART NBR      | PART NAME                  | QTY | SERIAL NBR | REMARKS  |
|----------|---------------|----------------------------|-----|------------|----------|
| 2-001    | 738-0608C-200 | MUFFLER PROTECTOR          | 1   |            |          |
| 2-004    | 737-06100-210 | MUFFLER GASKET             | 2   |            |          |
| 2-005    | 133-0604A-202 | HEAT SHIELD                | 1   | R          | -B200532 |
| 2-005    | 133-0604A-203 | HEAT SHIELD                | 1   |            | B200533- |
| 2-006    | 403-0608A-200 | INLET MANIFOLD GASKET      | 1   |            |          |
| 2-007    | 404-06020-201 | INSULATOR                  | 1   |            | -B200532 |
| 2-007    | 404-06020-202 | INSULATOR                  | 1   | M          | B200533- |
| 2-008    | 423-06092-201 | CLEANER BODY               | 1   | R          | -B241927 |
| 2-008    | 423-06092-203 | CLEANER BODY               | 1   |            | B241928- |
| 2-009    | 446-0602V-200 | CLEANER ELEMENT            | 1   |            |          |
| 2-010    | 424-06092-200 | CLEANER CAP                | 1   | R          | -B201503 |
| 2-010    | 424-06092-201 | CLEANER CAP                | 1   |            | B201504- |
| 2-011    | 885-0608A-901 | THROTTLE WIRE ASS'Y        | 1   |            |          |
| 2-012    | 436-0608A-200 | CLEANER FIXING BASE        | 1   | M          | B200533- |
| 2-014    | 410-06092-900 | CLEANER ASS'Y              | 1   | R          | -B222232 |
| 2-014    | 410-06092-901 | CLEANER ASS'Y              | 1   | I          | -B242781 |
| 2-014    | 410-06092-902 | CLEANER ASS'Y              | 1   | R          | -C097928 |
| 2-014    | 410-06092-910 | CLEANER ASS'Y              | 1   | I          | -D192786 |
| 2-014    | 410-06092-911 | CLEANER ASS'Y              | 1   |            | D192787- |
| 2-015    | 357-00601-200 | STEP BOLT                  | 2   |            |          |
| 2-016    | 348-0602R-200 | CLUTCH PLATE A             | 4   | M          |          |
| 2-016    | 348-0602R-200 | CLUTCH PLATE A             | 2   |            |          |
| 2-017    | 342-0605A-200 | CLUTCH SPRING              | 1   | R          | -B200532 |
| 2-017    | 342-0605A-201 | CLUTCH SPRING              | 1   |            | B200533- |
| 2-018    | 290-00501-802 | CLUTCH SHOE COMP.          | 2   |            |          |
| 2-019    | 359-02103-200 | CLUTCH WASHER B            | 2   |            |          |
| 2-020    | 798-06000-200 | STARTER PULLEY             | 1   | R          | -C146312 |
| 2-020    | 798-06094-200 | STARTER PULLEY             | 1   |            | C146313- |
| 2-023    | 655-06100-200 | FUEL TANK CUSHION RUBBER   | 2   |            |          |
| 2-024    | 653-06000-200 | FUEL TANK BRACKET          | 1   |            |          |
| 2-027    | 655-01551-200 | FUEL TANK CUSHION RUBBER B | 2   |            |          |
| 2-028    | 102-01300-200 | INSULATOR                  | 1   |            |          |
| 2-030    | 991-16080-003 | NUT 8 (L.H. THREAD)        | 1   |            |          |
| 2-036    | 680-04019-210 | CLIP 7                     | 1   |            |          |
| 2-038    | 675-0608A-900 | PUMP FILTER BODY ASS'Y     | 1   |            |          |
| 2-044    | 500-33202-205 | RUBBER PIPE CAP            | 1   |            |          |
| 2-045    | 678-00601-201 | RUBBER PIPE                | 1   |            |          |
| 2-055    | 591-0608A-201 | TANK                       | 1   | R          | -B146312 |
| 2-055    | 591-0608A-202 | TANK                       | 1   | R          | -C146312 |
| 2-055    | 591-0608A-203 | TANK                       | 1   |            | C146313- |
| 2-059    | 700-03005-130 | FUEL PIPE 3X5X130          | 1   |            |          |
| 2-061    | 130-00610-202 | FAN CASE PLUG              | 1   | N          | C146313- |
| 2-062    | 170-0604A-800 | STOP CORD COMP.            | 1   | D          | C146313- |
| 2-072    | 359-10112-203 | CLUTCH WASHER B            | 1   |            |          |
| 2-078    | 990-11040-121 | SCREW 4X12                 | 1   |            |          |
| 2-079    | 992-10040-012 | S.WASHER 4                 | 1   |            |          |
| 2-080    | 992-01040-011 | WASHER 4                   | 1   |            |          |
| 2-081    | 990-11050-101 | SCREW 5X10                 | 1   |            |          |
| 2-082    | 992-10050-012 | S.WASHER 5                 | 1   |            |          |
| 2-083    | 992-01050-011 | WASHER 5                   | 1   |            |          |
| 2-084    | 990-11050-451 | SCREW 5X45                 | 2   |            |          |
| 2-085    | 992-10050-012 | S.WASHER 5                 | 2   |            |          |
| 2-086    | 992-00050-011 | SMALL WASHER 5             | 2   |            |          |
| 2-087    | 990-11050-121 | SCREW 5X12                 | 1   |            |          |
| 2-088    | 992-10050-012 | S.WASHER 5                 | 1   |            |          |
| 2-089    | 992-01050-011 | WASHER 5                   | 1   |            |          |
| 2-090    | 990-11050-141 | SCREW 5X14                 | 1   |            |          |
| 2-091    | 992-10050-012 | S.WASHER 5                 | 1   |            |          |
| 2-092    | 992-00050-011 | SMALL WASHER 5             | 1   |            |          |
| 2-093    | 990-11050-121 | SCREW 5X12                 | 3   |            | -C146312 |
| 2-093    | 990-11050-141 | SCREW 5X14                 | 3   | N          | C146313- |
| 2-094    | 992-10050-012 | S.WASHER 5                 | 3   |            |          |
| 2-095    | 992-00050-011 | SMALL WASHER 5             | 3   |            |          |

- To be cont'd -

| REF. NBR | PART NBR      | PART NAME                     | QTY | SERIAL NBR | REMARKS |
|----------|---------------|-------------------------------|-----|------------|---------|
| 2-096    | 990-11050-141 | SCREW 5X14                    | 1   |            |         |
| 2-097    | 992-10050-012 | S.WASHER 5                    | 1   |            |         |
| 2-098    | 992-01050-011 | WASHER 5                      | 1   |            |         |
| 2-150    | 990-11050-651 | SCREW 5X65                    | 2   | -B200532   |         |
| 2-150    | 990-11050-751 | SCREW 5X75                    | 2   | M B200533- |         |
| 2-151    | 992-10050-012 | S.WASHER 5                    | 2   |            |         |
| 2-152    | 992-01050-011 | WASHER 5                      | 2   |            |         |
| 2-153    | 990-11050-101 | SCREW 5X10                    | 2   |            |         |
| 2-154    | 992-10050-012 | S.WASHER 5                    | 2   |            |         |
| 2-155    | 990-23050-206 | H.T. BOLT 5X20                | 1   |            |         |
| 2-156    | 992-10050-012 | S.WASHER 5                    | 1   |            |         |
| 2-157    | 992-00050-011 | SMALL WASHER 5                | 1   |            |         |
| 2-159    | 990-11040-101 | SCREW 4X10                    | 1   |            |         |
| 2-160    | 992-10040-012 | S.WASHER 4                    | 1   |            |         |
| 2-161    | 992-01040-011 | WASHER 4                      | 1   |            |         |
| 2-166    | 991-01060-013 | NUT 6                         | 2   |            |         |
| 2-175    | 595-0062A-910 | TANK CAP ASS'Y, ORANGE        | 1   | M          |         |
| 2-175    | 595-0062A-901 | TANK CAP ASS'Y                | 1   |            |         |
| 2-186    | 941-0608A-200 | STAND                         | 1   | R -C146312 |         |
| 2-186    | 941-06092-200 | STAND                         | 1   | C146313-   |         |
| 2-187    | 289-0604A-900 | CLUTCH SHAFT ASS'Y            | 1   | R -B200532 |         |
| 2-187    | 289-06091-900 | CLUTCH DRUM ASS'Y             | 1   | B200533-   |         |
| 2-188    | 993-51032-002 | STOP RING C-32 IN             | 1   |            |         |
| 2-189    | 999-61620-101 | BALL BEARING #6201ZZ, 32MM/OD | 1   |            |         |
| 2-190    | 993-50012-002 | STOP RING C-12 EX             | 1   |            |         |
| 2-191    | 801-0604A-201 | STEP WASHER                   | 1   |            |         |
| 2-192    | 999-67007-000 | O-RING P-7                    | 1   | -B222232   |         |
| 2-192    | 992-04080-031 | WAVE WASHER 8                 | 1   | M B222233- |         |
| 2-193    | 992-04080-031 | WAVE WASHER 8                 | 2   | -C146312   |         |
| 2-193    | 992-05080-030 | BENT WASHER 8                 | 2   | P C146313- |         |
| 2-204    | 402-06020-200 | CARBURETOR GASKET             | 1   |            |         |
| 2-208    | 894-01226-200 | THROTTLE WIRE ADJUSTER        | 1   |            |         |
| 2-209    | 892-06092-200 | TOP SPRING                    | 1   | M E250776- |         |
| 2-217    | 739-0602B-200 | MUFFLER COUPLING GASKET       | 2   |            |         |
| 2-218    | 717-0608A-200 | MUFFLER BODY B                | 1   |            |         |
| 2-222    | 528-0602V-200 | CHOKE VALVE                   | 1   | R -C054344 |         |
| 2-222    | 528-0602V-201 | CHOKE VALVE                   | 1   | R -D048890 |         |
| 2-222    | 528-0602V-202 | CHOKE VALVE                   | 1   | D048891-   |         |
| 2-223    | 470-0602N-200 | CLEANER COLLAR                | 2   |            |         |
| 2-225    | 706-0608A-900 | MUFFLER ASS'Y                 | 1   | R -C146312 |         |
| 2-225    | 706-0608A-910 | MUFFLER ASS'Y                 | 1   | C146313-   |         |
| 2-226    | 722-0608A-200 | MUFFLER PARTITION PLATE       | 1   | R -C146312 |         |
| 2-226    | 722-0608A-800 | MUFFLER PARTITION PLATE COMP. | 1   | C146313-   |         |
| 2-227    | 740-0602B-201 | MUFFLER COLLAR                | 2   |            |         |
| 2-262    | 990-11050-141 | SCREW 5X14                    | 1   |            |         |

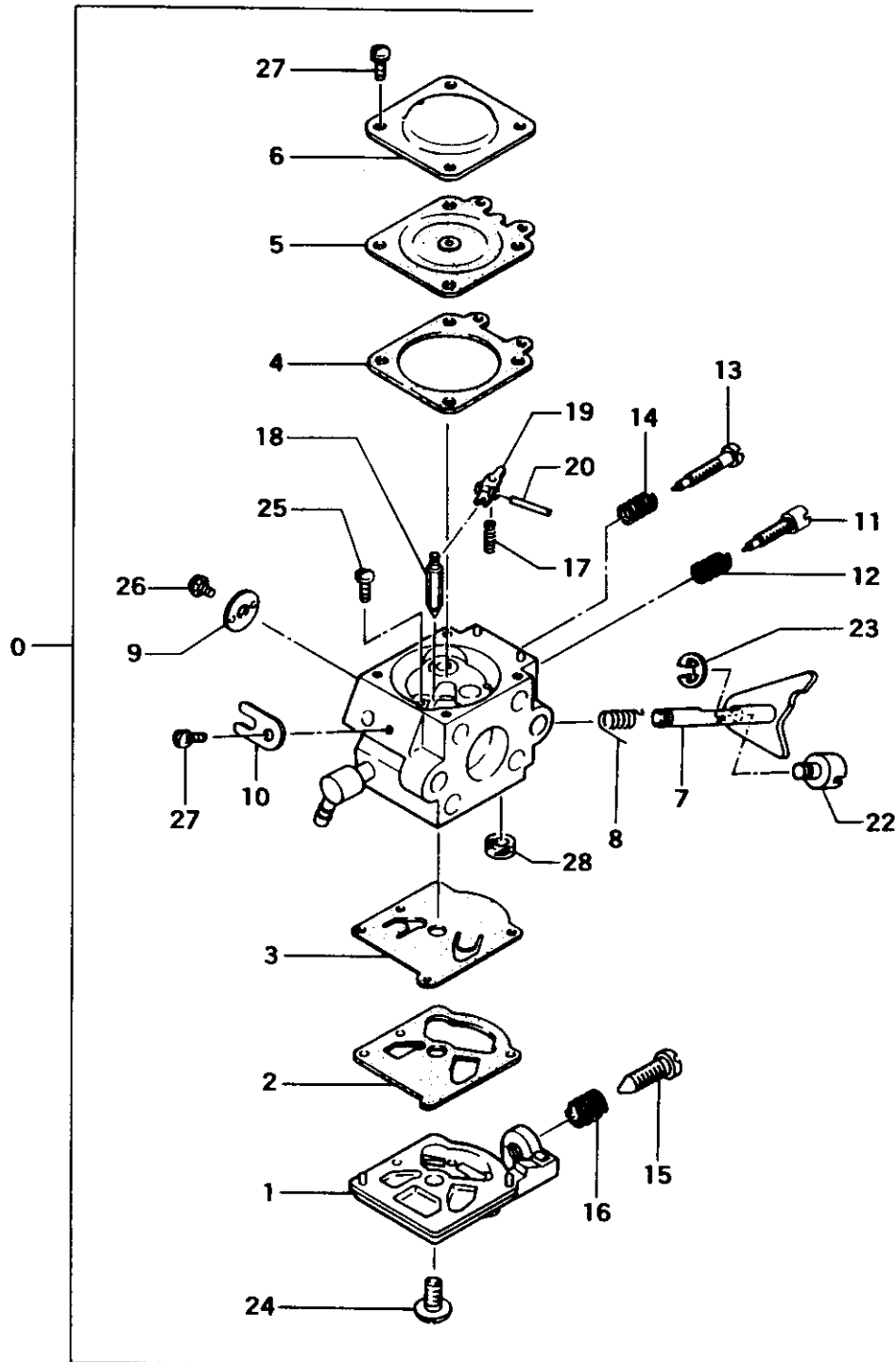
**FIG.3 RECOIL STARTER**



| REF. NBR | PART NBR      | PART NAME                 | QTY | SERIAL NBR | REMARKS  |
|----------|---------------|---------------------------|-----|------------|----------|
| 3-000,1  | 756-0601R-900 | RECOIL STARTER ASS'Y      | 1   | M          |          |
| 3-000,1  | 756-0604A-900 | RECOIL STARTER ASS'Y      | 1   | M          |          |
| 3-000,1  | 756-0604A-901 | RECOIL STARTER ASS'Y      | 1   | M          |          |
| 3-000,1  | 762-0604A-901 | RECOIL STARTER BODY ASS'Y | 1   | R          | -C146312 |
| 3-000    | 756-06092-900 | RECOIL STARTER ASS'Y      | 1   | M          |          |
| 3-000    | 762-06092-900 | RECOIL STARTER BODY ASS'Y | 1   | R          | -C213509 |
| 3-000    | 762-06092-901 | RECOIL STARTER BODY ASS'Y | 1   |            | C213510- |
| 3-001,1  | 785-06000-200 | STARTER HANDLE            | 1   | I          | -C146312 |
| 3-001    | 785-06097-200 | STARTER HANDLE            | 1   |            | C146313- |
| 3-002,1  | 783-06000-200 | ROPE                      | 1   |            | -C146312 |
| 3-002    | 783-06092-200 | ROPE 3.5X890L             | 1   | M          | C146313- |
| 3-003    | 782-06097-200 | ROPE GUIDE                | 1   | M          | C213510- |
| 3-004,1  | 772-0604A-800 | RECOIL STARTER BODY COMP. | 1   |            | -C146312 |
| 3-004    | 772-06092-200 | RECOIL STARTER BODY       | 1   | N          | C146313- |
| 3-005,1  | 779-06000-200 | RECOIL SPRING             | 1   |            | -C146312 |
| 3-005    | 779-06092-200 | RECOIL SPRING             | 1   | M          |          |
| 3-005    | 779-01250-200 | RECOIL SPRING             | 1   | M          | C146313- |
| 3-006,1  | 774-06000-210 | STARTER ROPE REEL         | 1   |            | -C146312 |
| 3-006    | 769-06092-200 | STARTER ROPE REEL         | 1   | N          | C146313- |
| 3-007,1  | 836-06000-200 | FRICTION SPRING           | 1   | I          | -C146312 |
| 3-007    | 836-06092-200 | FRICTION SPRING           | 1   |            | C146313- |
| 3-008,1  | 832-01500-200 | RETURN SPRING             | 1   | M          |          |
| 3-008,1  | 832-06000-200 | RETURN SPRING             | 1   |            | -C146312 |
| 3-008    | 832-06092-200 | RETURN SPRING             | 1   | N          | C146313- |
| 3-009,1  | 788-06000-210 | STARTER PAWL              | 1   |            | -C146312 |
| 3-009    | 788-06092-200 | STARTER PAWL              | 1   | N          | C146313- |
| 3-010,1  | 837-06000-201 | FRICTION PLATE            | 1   |            | -C146312 |
| 3-010    | 837-06092-200 | FRICTION PLATE            | 1   | N          | C146313- |
| 3-011,1  | 991-01050-013 | NUT 5                     | 1   |            | -C146312 |
| 3-011    | 990-15050-121 | SCREW 5X12                | 1   | N          | C146313- |
| 3-012,1  | 815-06000-200 | STARTER HANDLE METAL      | 1   | M          |          |
| 3-012,1  | 835-05004-200 | HANDLE CAP                | 1   | I          | -C146312 |
| 3-012    | 795-0602K-200 | STARTER HANDLE CAP        | 1   |            | C146313- |

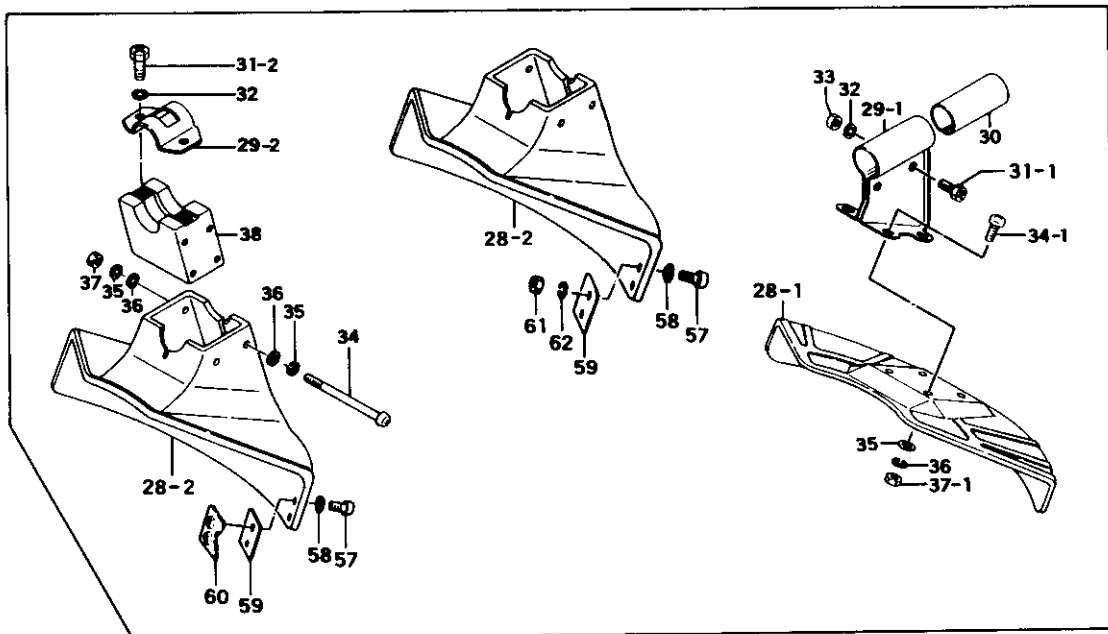
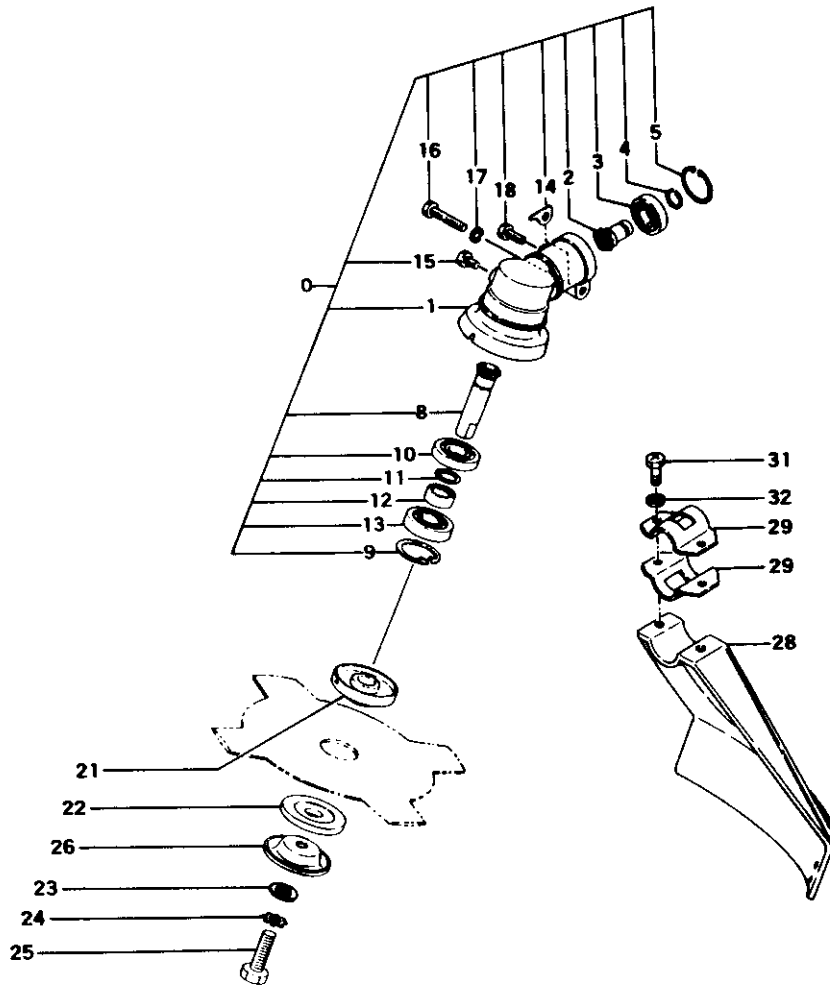


# FIG.4 CARBURETOR



| REF. NBR | PART NBR      | PART NAME                 | QTY | SERIAL NBR | REMARKS |
|----------|---------------|---------------------------|-----|------------|---------|
| 4-000    | 455-25013-900 | CARBURETOR ASS'Y, WA-134A | 1   | -B200532   |         |
| 4-000    | 455-25013-901 | CARBURETOR ASS'Y, WA-134A | 1   | B200533-   |         |
| 4-001    | 575-25013-200 | PUMP BODY                 | 1   |            |         |
| 4-002    | 577-25006-200 | PUMP GASKET               | 1   |            | M       |
| 4-002    | 577-25013-200 | PUMP GASKET               | 1   |            | M       |
| 4-002    | 577-25007-200 | PUMP GASKET               | 1   |            |         |
| 4-003    | 576-25006-200 | PUMP DIAPHRAGM            | 1   |            |         |
| 4-004    | 475-25001-200 | DIAPHRAGM GASKET          | 1   |            |         |
| 4-005    | 474-25001-200 | METERING DIAPHRAGM        | 1   |            | M       |
| 4-005    | 474-25001-800 | METERING DIAPHRAGM COMP.  | 1   |            |         |
| 4-006    | 476-25006-200 | DIAPHRAGM COVER           | 1   |            | M       |
| 4-006    | 476-25004-200 | DIAPHRAGM COVER           | 1   |            |         |
| 4-007    | 464-25006-800 | THROTTLE SHAFT COMP.      | 1   |            |         |
| 4-008    | 486-25006-200 | THROTTLE SPRING           | 1   |            | M       |
| 4-008    | 486-25009-200 | THROTTLE SPRING           | 1   |            |         |
| 4-009    | 488-25006-200 | THROTTLE VALVE            | 1   |            |         |
| 4-010    | 557-25006-200 | THROTTLE SHAFT CLIP       | 1   |            |         |
| 4-011    | 460-25013-200 | HIGH ADJUST SCREW         | 1   |            |         |
| 4-012    | 485-25003-200 | HIGH ADJUST SPRING        | 1   |            |         |
| 4-013    | 461-25006-200 | LOW ADJUST SCREW          | 1   |            |         |
| 4-014    | 623-25001-200 | HIGH/LOW ADJUST SPRING    | 1   |            |         |
| 4-015    | 462-25006-200 | IDLE ADJUST SCREW         | 1   |            |         |
| 4-016    | 463-25006-200 | IDLE ADJUST SPRING        | 1   |            |         |
| 4-017    | 477-25013-200 | VALVE SPRING              | 1   |            |         |
| 4-018    | 603-25001-200 | NEEDLE VALVE              | 1   |            |         |
| 4-019    | 473-25001-200 | VALVE HINGE               | 1   |            |         |
| 4-020    | 605-25001-200 | HINGE PIN                 | 1   |            |         |
| 4-022    | 539-25006-200 | SWIVEL                    | 1   |            | M       |
| 4-022    | 539-25008-200 | SWIVEL                    | 1   |            |         |
| 4-023    | 489-25006-200 | STOP RING                 | 1   |            | M       |
| 4-023    | 489-25008-200 | STOP RING                 | 1   |            |         |
| 4-024    | 514-25001-200 | SET SCREW                 | 1   |            |         |
| 4-025    | 546-25001-200 | HINGE PIN SET SCREW       | 1   |            |         |
| 4-026    | 467-25003-200 | SHUTTER SCREW             | 1   |            |         |
| 4-027    | 548-25014-200 | SET SCREW                 | 5   |            | M       |
| 4-027    | 548-25005-200 | SET SCREW                 | 5   |            | M       |
| 4-027    | 548-25012-200 | SET SCREW                 | 5   |            |         |
| 4-028    | 578-25006-200 | INLET SCREEN              | 1   |            | M       |
| 4-028    | 578-25007-200 | INLET SCREEN              | 1   |            |         |

# FIG.5 GEAR CASE

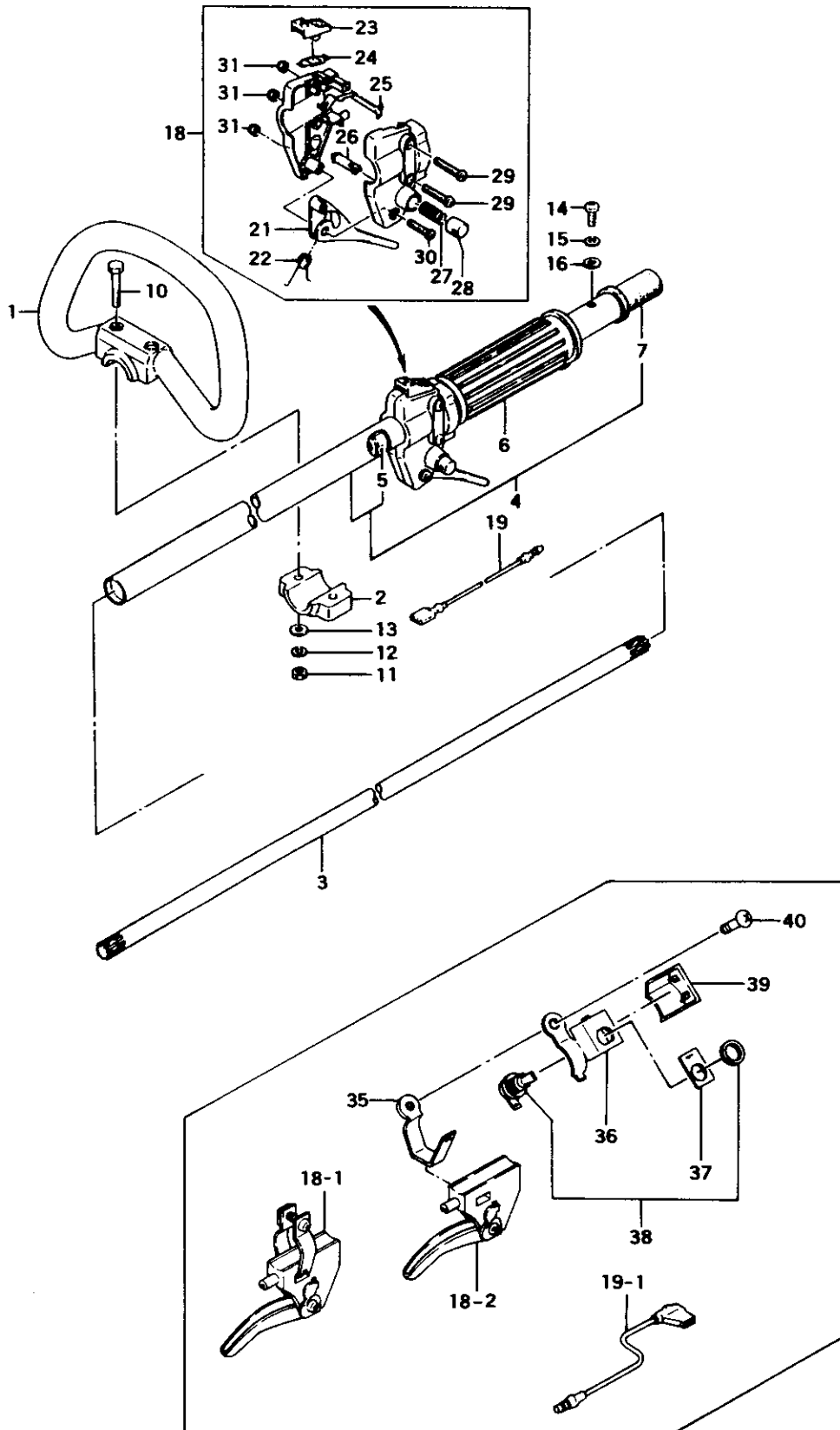


| REF. NBR | PART NBR      | PART NAME                   | QTY | SERIAL NBR. | REMARKS |
|----------|---------------|-----------------------------|-----|-------------|---------|
| 5-000    | 300-33900-910 | GEAR CASE ASS'Y             | 1   | R -B222232  |         |
| 5-000    | 300-33904-900 | GEAR CASE ASS'Y             | 1   | B222233-    |         |
| 5-001    | 300-33900-220 | GEAR CASE                   | 1   | R -B133613  |         |
| 5-001    | 300-33900-221 | GEAR CASE A                 | 1   | R -B222232  |         |
| 5-001    | 300-33904-200 | GEAR CASE                   | 1   | I -B242787  |         |
| 5-001    | 300-33904-201 | GEAR CASE                   | 1   | M           |         |
| 5-001    | 300-33904-202 | GEAR CASE                   | 1   | B242788-    |         |
| 5-002    | 302-33900-200 | PINION                      | 1   |             |         |
| 5-003    | 999-61609-001 | BALL BEARING 609ZZ, 24MM/OD | 1   |             |         |
| 5-004    | 993-52009-002 | STOP RING S-9 EX            | 1   |             |         |
| 5-005    | 993-51024-002 | STOP RING C-24 IN           | 1   |             |         |
| 5-008    | 301-33900-200 | GEAR                        | 1   |             |         |
| 5-009    | 993-51028-002 | STOP RING C-28 IN           | 2   | -B242787    |         |
| 5-009    | 993-51028-002 | STOP RING C-28 IN           | 1   | B242788-    |         |
| 5-010    | 999-61600-100 | BALL BEARING #6001, 28MM/OD | 1   |             |         |
| 5-011    | 993-57012-002 | STOP RING 12                | 1   |             |         |
| 5-012    | 342-33900-200 | COLLAR                      | 1   |             |         |
| 5-013    | 999-61600-103 | BALL BEARING 6001D, 28MM/OD | 1   |             |         |
| 5-014    | 324-33900-200 | GEAR CASE WASHER            | 1   |             |         |
| 5-015    | 990-23060-101 | BOLT 6X10                   | 1   | -B222232    |         |
| 5-015    | 990-23060-081 | BOLT W/PLUS 6X8             | 1   | N B222233-  |         |
| 5-016    | 990-23050-251 | BOLT W/PLUS 5X25            | 1   |             |         |
| 5-017    | 992-10050-012 | S. WASHER 5                 | 1   |             |         |
| 5-018    | 990-23050-101 | BOLT W/PLUS 5X10            | 1   |             |         |
| 5-021    | 310-33900-200 | CUTTER HOLDER               | 1   |             |         |
| 5-022    | 311-33900-200 | CUTTER HOLDER CAP           | 1   |             |         |
| 5-023    | 992-01080-011 | WASHER 8                    | 1   |             |         |
| 5-024    | 992-29080-000 | TOOTHED LOCK WASHER 8 L/H   | 1   |             |         |
| 5-025    | 312-33700-200 | BOLT 8/L.H THREAD           | 1   |             |         |
| 5-026    | 316-33410-200 | BOLT PROTECTION COVER       | 1   |             |         |
| 5-028,1  | 441-33700-210 | SAFETY GUARD                | 1   | R -B222232  |         |
| 5-028,1  | 441-33700-220 | SAFETY GUARD                | 1   | -C156400    |         |
| 5-028,2  | 441-33671-200 | SAFETY GUARD                | 1   | N -C213509  |         |
| 5-028,2  | 441-33671-200 | SAFETY GUARD                | 1   | R -C213509  |         |
| 5-028,2  | 441-33671-210 | SAFETY GUARD                | 1   | R -D082525  |         |
| 5-028,2  | 441-33671-220 | SAFETY GUARD                | 1   | -D206800    |         |
| 5-028    | 441-33905-800 | SAFETY GUARD COMP., PLASTIC | 1   | N D206801-  |         |
| 5-029,1  | 442-33410-200 | SAFETY GUARD BRACKET        | 1   | -C156400    |         |
| 5-029,2  | 442-33905-200 | SAFETY GUARD BRACKET        | 1   | N -D206800  |         |
| 5-029    | 442-33905-200 | SAFETY GUARD BRACKET        | 2   | R -D227561  |         |
| 5-029    | 442-33905-201 | SAFETY GUARD BRACKET        | 2   | D227562-    |         |
| 5-030    | 444-33900-200 | BRACKET SPACER              | 1   | D C156401-  |         |
| 5-031,1  | 990-23060-121 | BOLT 6X12 W/PLUS            | 2   | -C156400    |         |
| 5-031,2  | 990-23060-151 | BOLT 6X15 W/PLUS            | 2   | N -D206800  |         |
| 5-031    | 990-23060-181 | BOLT 6X18 W/PLUS            | 2   | N D206801-  |         |
| 5-032    | 992-10060-012 | S. WASHER 6                 | 2   |             |         |
| 5-033    | 991-01060-011 | NUT 6                       | 2   | D C156401-  |         |
| 5-034,1  | 990-11050-121 | SCREW 5X12                  | 4   | -B222232    |         |
| 5-034,1  | 990-11050-161 | SCREW 5X16                  | 4   | N -C156400  |         |
| 5-034    | 990-11050-751 | SCREW 5X75                  | 2   | N C156401-  |         |
| 5-034    | 990-11050-751 | SCREW 5X75                  | 2   | D D206801-  |         |
| 5-035    | 992-01050-011 | WASHER 5                    | 4   | D D206801-  |         |
| 5-036    | 992-10050-012 | S. WASHER 5                 | 4   | D D206801-  |         |
| 5-037,1  | 991-01050-011 | HEX. NUT 5                  | 4   | -C156400    |         |
| 5-037    | 991-01050-011 | HEX. NUT 5                  | 2   | C156401-    |         |
| 5-037    | 991-01050-011 | HEX. NUT 5                  | 2   | D D206801-  |         |
| 5-038    | 455-33905-200 | SAFETY GUARD HOLDER         | 1   | M           |         |
| 5-038    | 445-33905-200 | SAFETY GUARD HOLDER         | 1   | N C156401-  |         |
| 5-038    | 445-33905-200 | SAFETY GUARD HOLDER         | 1   | R -C185791  |         |
| 5-038    | 445-33905-210 | SAFETY GUARD HOLDER         | 1   | C185792-    |         |
| 5-038    | 445-33905-210 | SAFETY GUARD HOLDER         | 1   | D D206801-  |         |
| 5-057    | 990-11040-161 | SCREW 4X16                  | 2   | N C156401-  |         |
| 5-057    | 990-11040-161 | SCREW 4X16                  | 2   | R -C213509  |         |

- To be cont'd -

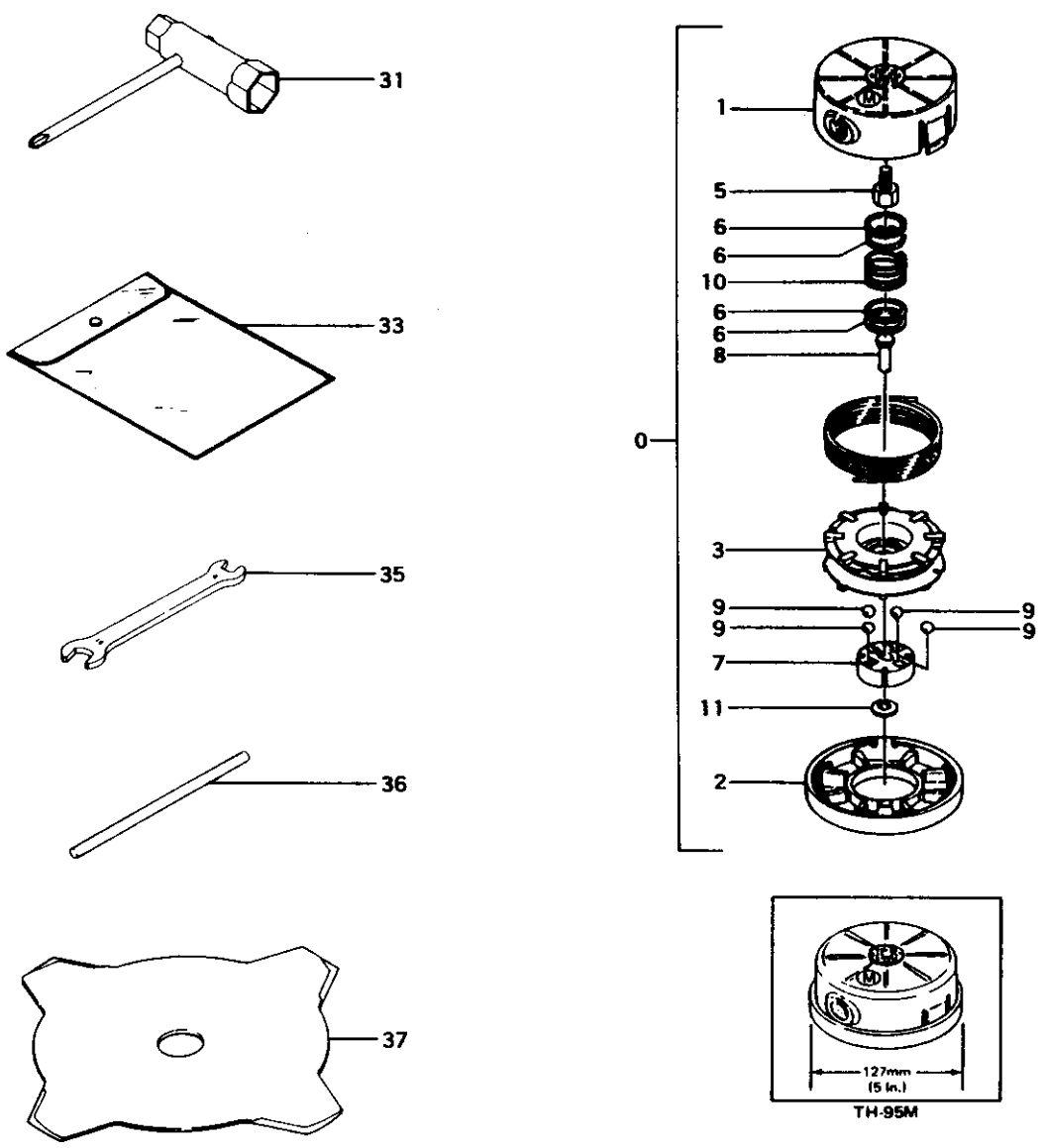
| REF. NBR | PART NBR      | PART NAME         | QTY | SERIAL NBR | REMARKS |
|----------|---------------|-------------------|-----|------------|---------|
| 5-057    | 990-11040-121 | SCREW 4X12        | 2   | C213510-   |         |
| 5-057    | 990-11040-121 | SCREW 4X12        | 2   | D206801-   |         |
| 5-058    | 992-01040-011 | WASHER 4          | 2   | N C156401- |         |
| 5-058    | 992-01040-011 | WASHER 4          | 2   | D D206801- |         |
| 5-059    | 800-33005-200 | CORD CUTTER BLADE | 1   | N C156401- |         |
| 5-059    | 800-33005-200 | CORD CUTTER BLADE | 1   | I -C213509 |         |
| 5-059    | 800-33005-201 | CORD CUTTER BLADE | 1   | C213510-   |         |
| 5-059    | 800-33005-201 | CORD CUTTER BLADE | 1   | D D206801- |         |
| 5-060    | 799-33005-200 | BLADE GUIDE       | 1   | N C213510- |         |
| 5-060    | 799-33005-200 | BLADE GUIDE       | 1   | D D206801- |         |
| 5-061    | 991-01040-011 | HEX. NUT 4        | 2   | N C156401- |         |
| 5-061    | 991-01040-011 | HEX. NUT 4        | 2   | D C213510- |         |
| 5-062    | 992-10040-012 | S.WASHER 4        | 2   | N C156401- |         |
| 5-062    | 992-10040-012 | S.WASHER 4        | 2   | D C213510- |         |

**FIG.6 DRIVE SHAFT & HANDLE**



| REF. NBR | PART NBR      | PART NAME              | QTY |   | SERIAL NBR | REMARKS |
|----------|---------------|------------------------|-----|---|------------|---------|
| 6-001    | 500-33900-200 | HANDLE                 | 1   | R | -B133613   |         |
| 6-001    | 500-33900-210 | HANDLE                 | 1   |   | B133614-   |         |
| 6-002    | 506-33900-200 | HANDLE BRACKET A       | 1   |   |            |         |
| 6-003    | 343-33900-201 | DRIVE SHAFT            | 1   |   |            |         |
| 6-004    | 341-33901-800 | DRIVE SHAFT PIPE COMP. | 1   |   |            |         |
| 6-005    | 347-33900-900 | BUSH ASS'Y             | 5   |   |            |         |
| 6-006    | 504-33900-200 | SHAFT GRIP             | 1   |   |            |         |
| 6-007    | 290-33900-801 | PIPE BUSH COMP.        | 1   | R | -C213509   |         |
| 6-007    | 290-33900-802 | PIPE BUSH COMP.        | 1   |   | C213510-   |         |
| 6-010    | 990-21060-451 | BOLT 6X45              | 2   |   |            |         |
| 6-011    | 991-01060-011 | NUT 6                  | 2   |   |            |         |
| 6-012    | 992-10060-012 | S. WASHER 6            | 2   |   |            |         |
| 6-013    | 992-01060-011 | WASHER 6               | 2   |   |            |         |
| 6-014    | 990-11060-101 | SCREW 6X10             | 1   |   |            |         |
| 6-015    | 992-10060-012 | S. WASHER 6            | 1   |   |            |         |
| 6-016    | 992-00060-011 | SMALL WASHER 6         | 1   |   |            |         |
| 6-018.1  | 870-0608A-901 | THROTTLE LEVER ASS'Y   | 1   | R | -B133613   |         |
| 6-018.1  | 870-0608A-902 | THROTTLE LEVER ASS'Y   | 1   |   | -C146312   |         |
| 6-018.1  | 870-0608A-903 | THROTTLE LEVER ASS'Y   | 1   | M |            |         |
| 6-018.2  | 870-0062M-900 | THROTTLE LEVER ASS'Y   | 1   | N | -D206800   |         |
| 6-018    | 870-33905-900 | THROTTLE LEVER ASS'Y   | 1   | N | -E250775   |         |
| 6-018    | 870-33905-901 | THROTTLE LEVER ASS'Y   | 1   | P | E250776-   |         |
| 6-019.1  | 178-06092-800 | STOP CORD COMP.        | 1   | N | C146313-   |         |
| 6-019.1  | 178-06092-800 | STOP CORD COMP.        | 1   |   | -D206800   |         |
| 6-019    | 178-33905-800 | STOP CORD COMP.        | 1   | N | D206801-   |         |
| 6-021    | 880-33564-200 | THROTTLE ARM           | 1   | N | D206801-   |         |
| 6-022    | 832-33564-200 | RETURN SPRING          | 1   | N | D206801-   |         |
| 6-023    | 162-33564-200 | STOP SWITCH            | 1   | N | D206801-   |         |
| 6-023    | 162-33564-200 | STOP SWITCH            | 1   |   | -E250775   |         |
| 6-023    | 162-33564-210 | STOP SWITCH            | 1   | N | E250776-   |         |
| 6-024    | 262-33564-200 | STOP SWITCH SPRING     | 1   | N | D206801-   |         |
| 6-025    | 176-33564-200 | EARTH TERMINAL         | 1   | N | D206801-   |         |
| 6-026    | 956-33564-200 | LOCK BUTTON A          | 1   | N | D206801-   |         |
| 6-027    | 958-33564-200 | LOCK BUTTON SPRING     | 1   | N | D206801-   |         |
| 6-028    | 957-33564-200 | LOCK BUTTON B          | 1   | N | D206801-   |         |
| 6-029    | 990-11050-301 | SCREW 5X30             | 2   | N | D206801-   |         |
| 6-029    | 990-11050-301 | SCREW 5X30             | 2   |   | -E250775   |         |
| 6-029    | 994-31050-301 | SCREW 5X30             | 2   | P | E250776-   |         |
| 6-030    | 994-31050-251 | SCREW 5X25             | 1   | N | D206801-   |         |
| 6-031    | 991-86050-000 | SELF-LOCK NUT 5        | 3   | N | D206801-   |         |
| 6-035    | 883-33905-800 | BAND                   | 1   | N | C146313-   |         |
| 6-035    | 883-33905-800 | BAND                   | 1   | D | D206801-   |         |
| 6-036    | 640-33905-200 | STOP BUTTON BRACKET    | 1   | N | C146313-   |         |
| 6-036    | 640-33905-200 | STOP BUTTON BRACKET    | 1   | D | D206801-   |         |
| 6-037    | 183-01300-200 | SWITCH NAME PLATE      | 1   | N | C146313-   |         |
| 6-037    | 183-01300-200 | SWITCH NAME PLATE      | 1   | D | D206801-   |         |
| 6-038    | 162-01300-900 | STOP SWITCH ASS'Y      | 1   | N | C146313-   |         |
| 6-038    | 162-01300-900 | STOP SWITCH ASS'Y      | 1   | D | D206801-   |         |
| 6-039    | 168-33905-200 | STOP BUTTON COVER      | 1   | N | C146313-   |         |
| 6-039    | 168-33905-200 | STOP BUTTON COVER      | 1   | R | -C156400   |         |
| 6-039    | 168-33905-201 | STOP BUTTON COVER      | 1   |   | C156401-   |         |
| 6-039    | 168-33905-201 | STOP BUTTON COVER      | 1   | D | D206801-   |         |
| 6-040    | 990-11050-141 | SCREW 5X14             | 1   | N | C146313-   |         |
| 6-040    | 990-11050-141 | SCREW 5X14             | 1   | D | D206801-   |         |

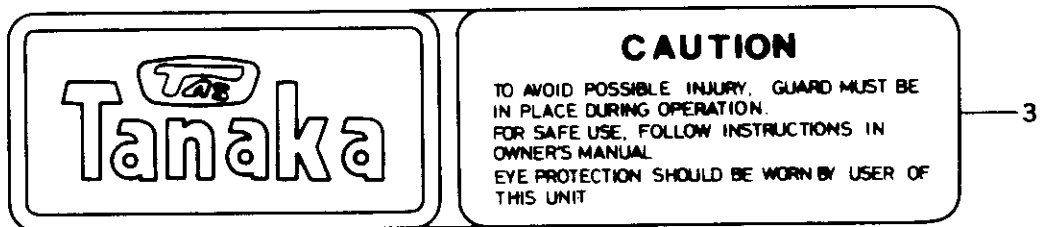
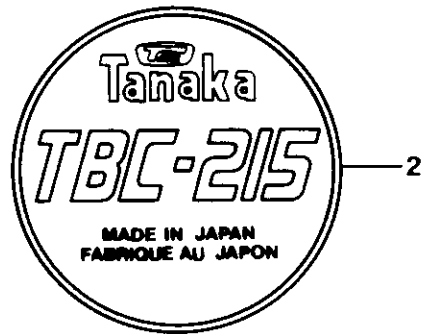
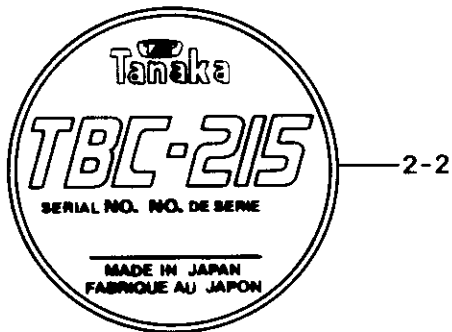
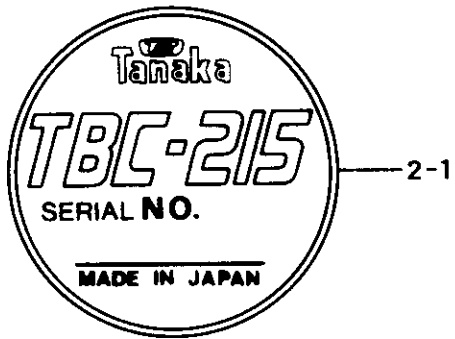
# FIG.7 TOOLS & NYLON HEAD



| REF. NBR | PART NBR      | PART NAME                      | QTY | SERIAL NBR | REMARKS |
|----------|---------------|--------------------------------|-----|------------|---------|
| 7-000    | 783-33910-901 | NYLON HEAD ASS'Y (TH-95M)      | 1   |            |         |
| 7-001    | 786-33004-801 | CUTTING BODY COMP.             | 1   |            |         |
| 7-002    | 789-33004-201 | BODY CAP                       | 1   |            |         |
| 7-003    | 787-33004-202 | CORD REEL                      | 1   |            |         |
| 7-005    | 314-33670-200 | 8X1.25 L/H BOLT (GOLD)         | 1   |            |         |
| 7-006    | 792-33004-200 | REEL WASHER                    | 4   |            |         |
| 7-007    | 790-33004-200 | REEL SLIDER                    | 1   |            |         |
| 7-008    | 791-33004-200 | REEL SLIDER HOOK               | 1   |            |         |
| 7-009    | 673-35600-200 | STEEL BALL 5/16"               | 4   |            |         |
| 7-010    | 793-33910-200 | REEL SPRING (SILVER)           | 1   |            |         |
| 7-011    | 358-02103-200 | WASHER                         | 1   |            |         |
| 7-031    | 829-20000-800 | COMBI. BOX SPANNER 13X19 .PLUS | 1   |            |         |
| 7-033    | 948-32352-200 | TOOL BAG                       | 1   |            |         |
| 7-035    | 801-20000-200 | SPANNER 8X10                   | 1   |            |         |
| 7-036    | 752-33900-200 | LOCKING BAR                    | 1   |            |         |
| 7-037    | 802-33701-200 | BLADE 4 TEETH 200              | 1   | -C146312   |         |
| 7-037    | 802-33410-200 | 4 TOOTHED BLADE, 230           | 1   | N C146313- |         |



**FIG.8 MARKS**



| REF. NBR | PART NBR      | PART NAME                     | QTY | SERIAL NBR | REMARKS |
|----------|---------------|-------------------------------|-----|------------|---------|
| 8-001    | 929-0608A-200 | SYMBOL MARK                   | 1   |            |         |
| 8-002,1  | 906-06092-200 | NAME PLATE                    | 1   | R -B242787 |         |
| 8-002,2  | 906-06092-210 | NAME PLATE (ENGLISH & FRENCH) | 1   | R -C146312 |         |
| 8-002    | 906-06092-220 | NAME PLATE                    | 1   | C146313-   |         |
| 8-003,1  | 929-33800-201 | SYMBOL MARK                   | 1   | R -C146312 |         |
| 8-003    | 929-33576-200 | SYMBOL MARK                   | 1   | C146313-   |         |

## Free Manuals Download Website

<http://myh66.com>

<http://usermanuals.us>

<http://www.somanuals.com>

<http://www.4manuals.cc>

<http://www.manual-lib.com>

<http://www.404manual.com>

<http://www.luxmanual.com>

<http://aubethermostatmanual.com>

Golf course search by state

<http://golfingnear.com>

Email search by domain

<http://emailbydomain.com>

Auto manuals search

<http://auto.somanuals.com>

TV manuals search

<http://tv.somanuals.com>