

Tanaka

Parts Catalog

Brush Cutter

Model: TBC-240

Serial No. -J231750

Grass Trimmer Attachments

TPS-200

Pruning Saw Attachment



The versatile TPS-200 Pruning Saw attachment easily converts Tanaka straight shaft grass trimmers / brushcutters into a powerful pruning saw.

TPS-200 Features:

- 24" Shaft Provides a 98" Overall Length when mounted
- 10" Oregon® Bar & Chain
- Easy-Mount Coupler

To be used with the following Tanaka models:

- AST-7000 / 210
- TBC-4500 / 4501 / 2211
- TBC-220 / 240
- TBC-250 / 2510 / 265
- TBC-270PF/PN



TPS-EXT Pruning Saw **Extension** (Part # 748511)
Add an **extra two feet of reach** with this pruning saw extension that will fit on both the TPS-2510 and TPS-270PN Pruning Saws. In addition, it can be added to Tanaka straight shaft grass trimmers that utilize the TPS-200 Pole Saw Attachment.

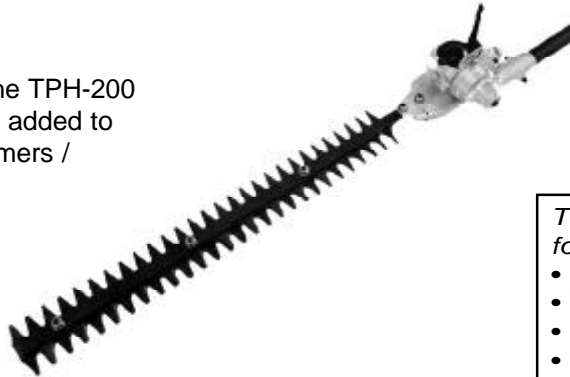
TPH-200

Pole Hedge Trimmer Attachment

For added reach and maneuverability, the TPH-200 Pole Hedge Trimmer attachment can be added to several Tanaka straight shaft grass trimmers / brushcutters.

TPH-200 Features:

- 22" Double Sided Cutting Blades
- Articulating / Pivoting Cutting Angle up to 130 degrees.



To be used with the following Tanaka models:

- AST-7000 / 210
- TBC-4500 / 4501 / 2211
- TBC-220 / 240
- TBC-250 / 2510 / 265
- TBC-270PF/PN

TMC-200

Mini-Cultivator

This simple, easy to install attachment is ideal for quick garden / flower bed weeding and cultivation. For maximum depth, the TMC-200 can dig up to 4 inches into the ground.

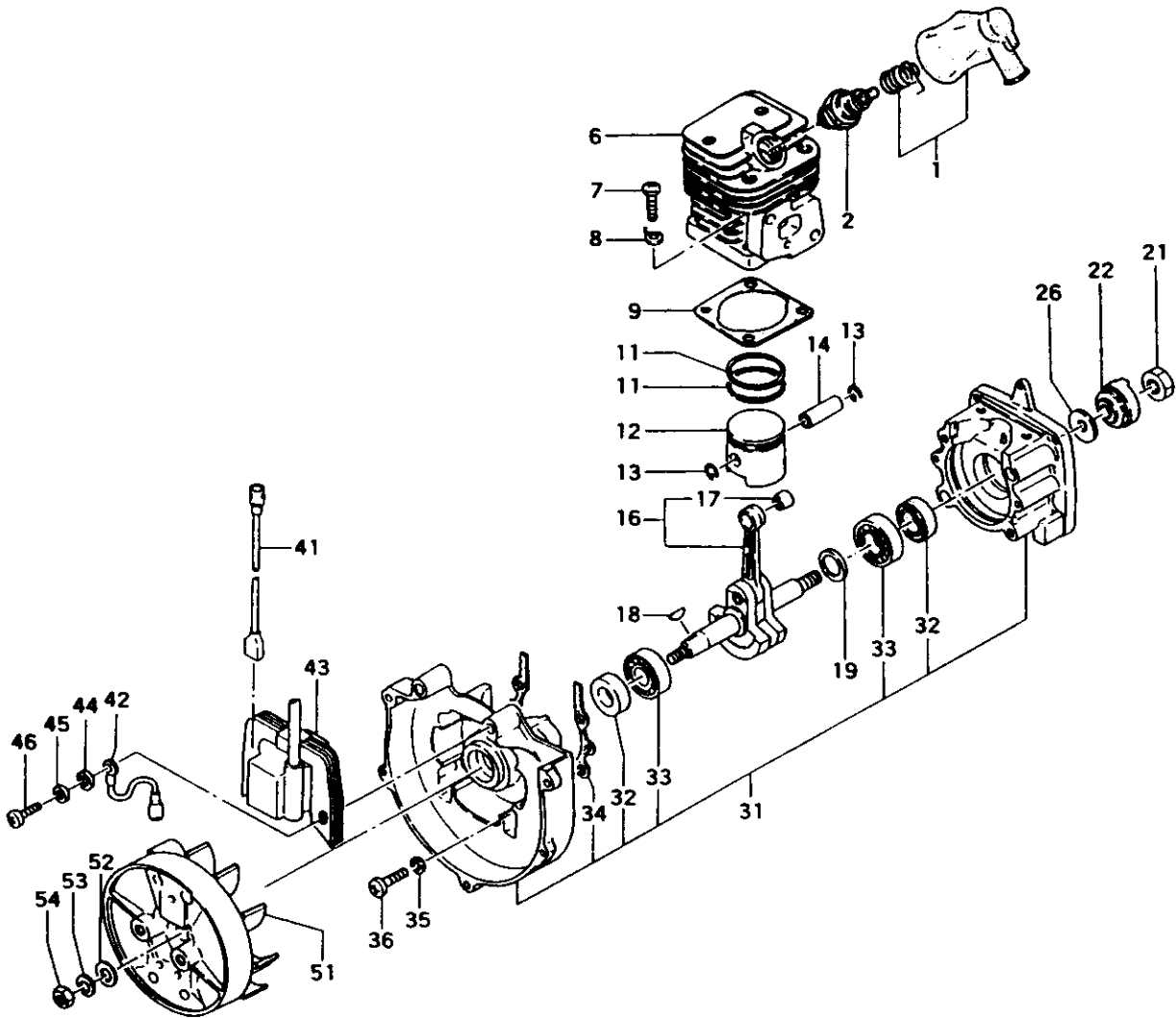


To be used with the following Tanaka models:

- AST-7000 / 210
- TBC-4500 / 4501 / 2211
- TBC-220 / 240
- TBC-250 / 2510 / 265
- TBC-270PF/PN
- TBC-300 / 3010
- TBC-420PF

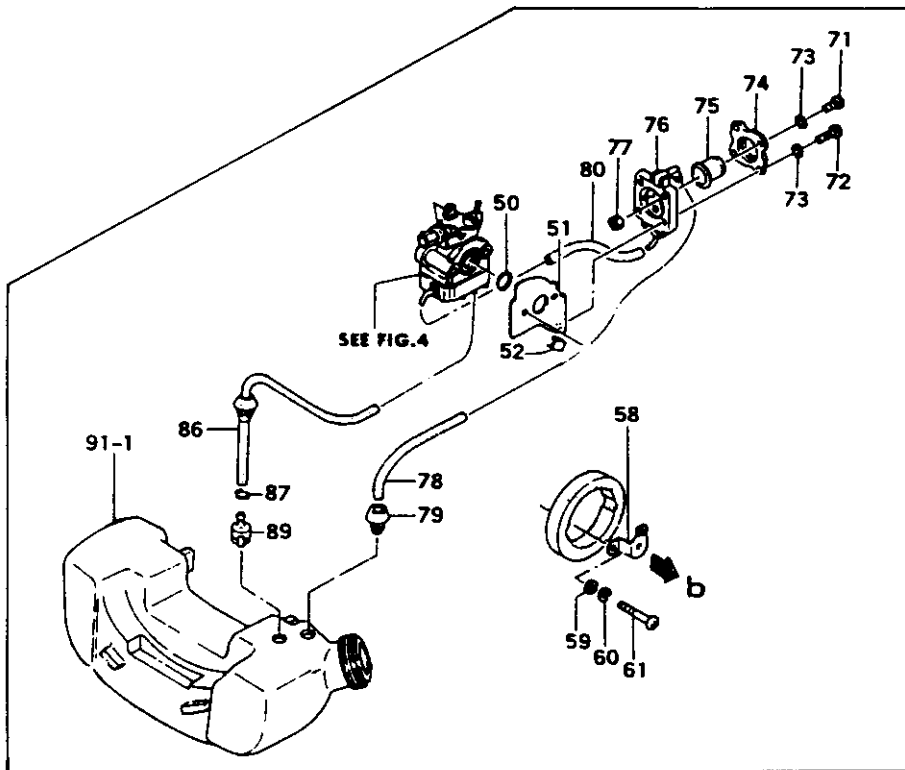
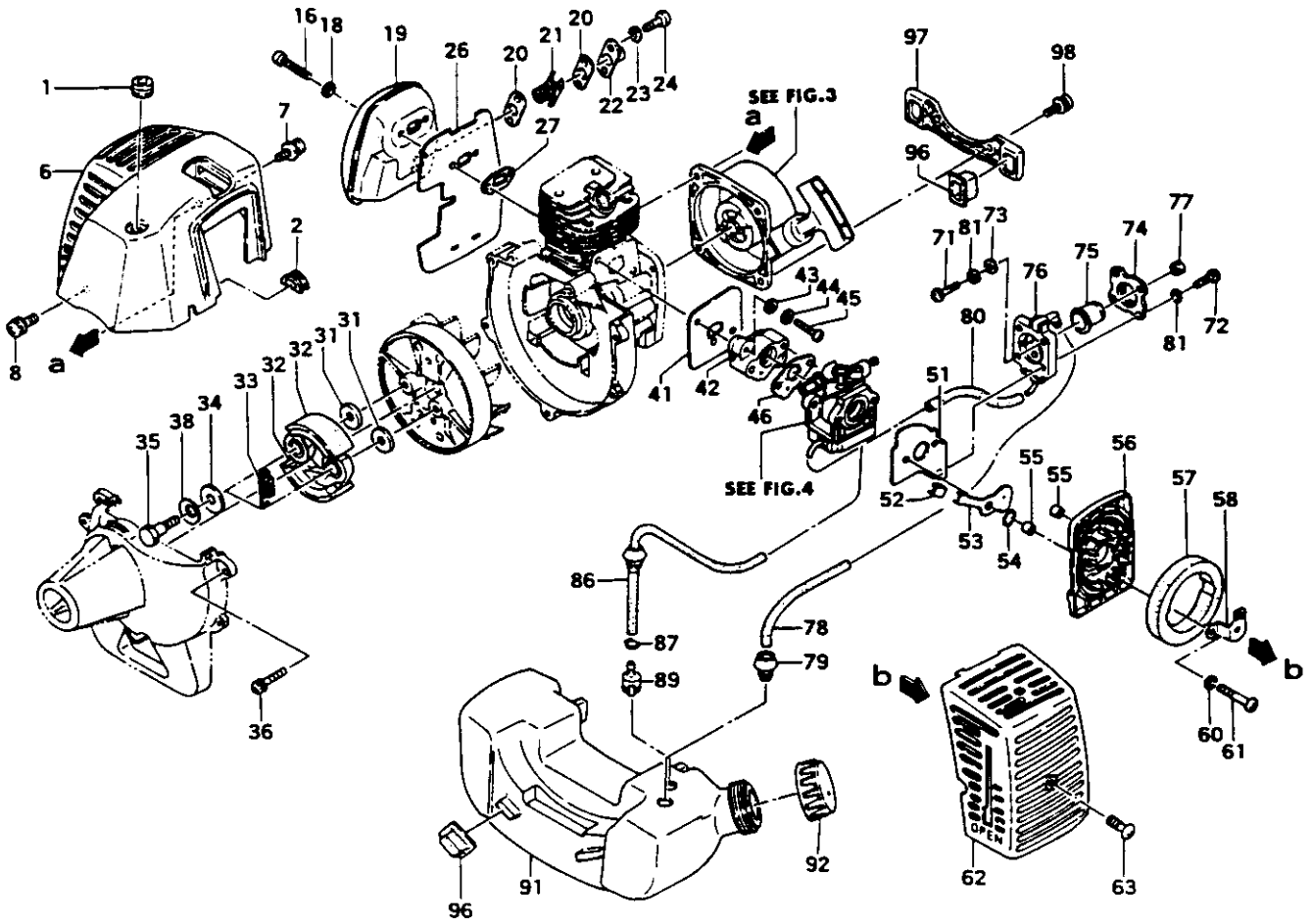
All data and specifications are subject to change without notice
For more information, contact:

FIG.1 ENGINE



REF. NBR	PART NBR	PART NAME	QTY	SERIAL NBR	REMARKS
1-001	157-0631A-900	SPARK PLUG CAP ASS'Y	1		
1-001	157-0097A-900	SPARK PLUG CAP ASS'Y	1		
1-002	018-01805-200	SPARK PLUG CJ8	1		
1-006	002-0097A-200	CYLINDER	1	-H117450	
1-006	002-0097A-201	CYLINDER	1	H117451-	
1-007	990-11050-161	SCREW 5X16	4		
1-008	992-10050-012	S. WASHER 5	4		
1-009	017-00940-200	CYLINDER GASKET	1		
1-011	041-00601-200	PISTON RING	2		
1-012	031-00601-202	PISTON	1	I -H117450	
1-012	031-0631P-200	PISTON 31	1	-J074660	
1-012	031-0636J-200	PISTON	1	P J074661-	
1-013	039-00601-200	PISTON PIN CIRCLIP	2		
1-014	037-00601-200	PISTON PIN	1		
1-016	046-00940-800	CRANK SHAFT COMP.	1		
1-017	999-62081-225	NEEDLE BEARING F-810	1		
1-018	068-10100-200	WOOD-RUFF KEY 3X13X4.5	1		
1-019	330-00200-210	GEAR SHAFT SHIM 0.10	V		
1-019	330-00200-220	GEAR SHAFT SHIM 0.15	V		
1-019	330-00200-230	GEAR SHAFT SHIM 0.20	V		
1-019	330-00200-240	GEAR SHAFT SHIM 0.30	V		
1-021	991-01080-011	HEX. NUT 8	1		
1-022	798-00940-200	STARTER PULLEY	1	R -G175170	
1-022	798-00940-201	STARTER PULLEY	1	R -J074660	
1-022	798-01630-200	STARTER PULLEY	1	J074661-	
1-026	359-10112-203	CLUTCH WASHER B	1		
1-031	072-00970-900	CRANK CASE ASS'Y	1		
1-032	999-66122-266	OIL SEAL 12227	2		
1-033	999-61600-100	BALL BEARING #6001, 28MM/OD	2		
1-034	090-00601-205	CRANK CASE GASKET	1		
1-035	992-10050-012	S. WASHER 5	4		
1-036	990-11050-251	SCREW 5X25	4		
1-041	178-0097A-800	STOP CORD COMP.	1		
1-042	274-0097A-800	EARTH CORD COMP.	1		
1-043	167-20508-800	IGNITION COIL COMP.	1		
1-044	992-00050-011	SMALL WASHER 5	2		
1-045	992-10050-012	S. WASHER 5	2		
1-046	990-11050-201	SCREW 5X20	2		
1-051	155-20509-800	MAGNETO ROTOR COMP.	1		
1-052	992-00080-011	SMALL WASHER 8	1		
1-053	992-10080-012	S. WASHER 8	1		
1-054	991-01080-011	HEX. NUT 8	1		

FIG.2 ENGINE COMPONENTS

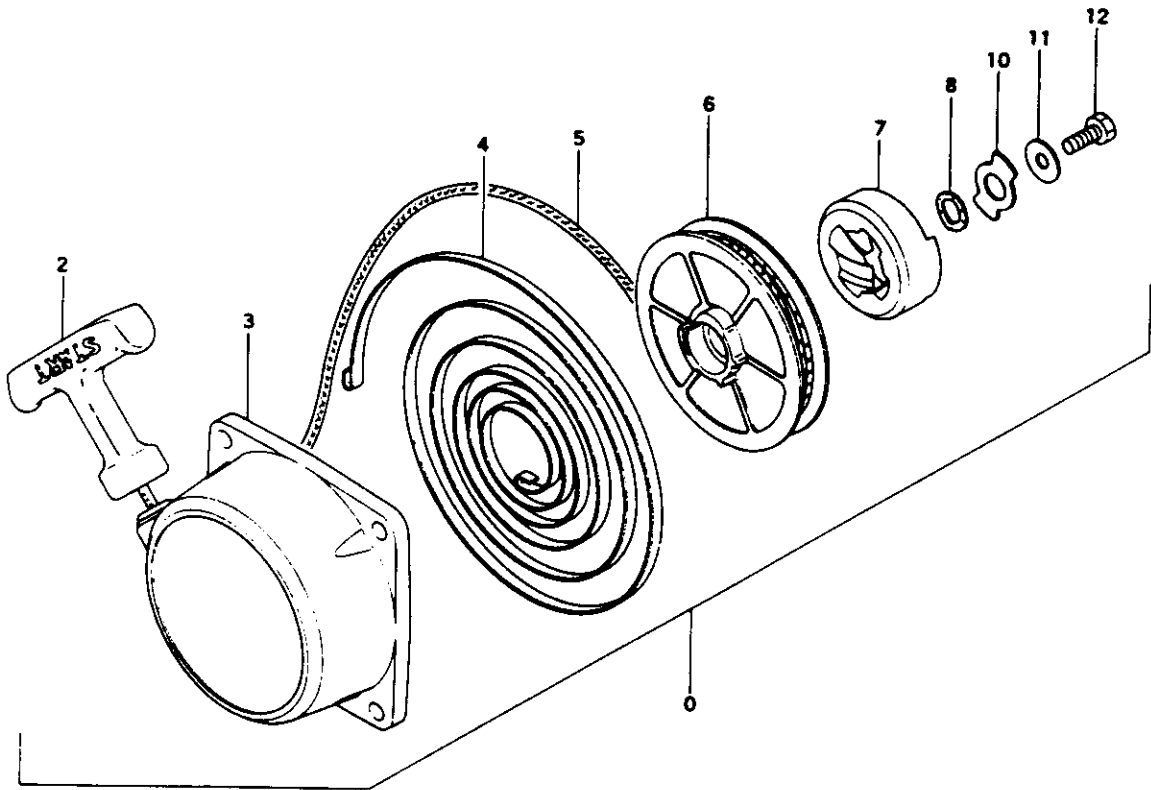


REF. NBR	PART NBR	PART NAME	QTY	SERIAL NBR	REMARKS
2-001	202-01003-201	SECONDARY CORD GROMMET	1		
2-002	203-11660-200	PRIMARY CORD GROMMET	1		
2-006	738-0097A-200	MUFFLER PROTECTOR	1	R -G175170	
2-006	738-0097A-201	MUFFLER PROTECTOR	1	G175171-	
2-007	994-15040-222	SCREW 4X22/PS	2		
2-008	994-15050-122	SCREW 5X12/PS	2		
2-016	990-53060-503	HEX. HOLE SCREW 6X50	2		
2-018	992-01060-011	WASHER 6	2		
2-019	706-0097A-800	MUFFLER COMP.	1		
2-020	751-04200-200	MUFFLER SPECIAL GASKET	2	-H117450	
2-020	751-04200-201	MUFFLER SPECIAL GASKET	2	P H117451-	
2-021	732-0631A-200	SPARK ARRESTOR, USA ONLY	1		
2-022	721-0097A-800	TAIL PIPE COMP.	1		
2-023	992-10040-012	S. WASHER 4	2		
2-024	990-11040-081	SCREW 4X8	2		
2-026	737-0097A-200	HEAT SHIELD	1		
2-027	737-0165A-200	MUFFLER GASKET	1	I -H117450	
2-027	737-0165A-201	MUFFLER GASKET	1	H117451-	
2-031	359-02103-200	CLUTCH WASHER B	2		
2-032	290-01620-800	CLUTCH SHOE COMP.	2		
2-033	342-0630B-200	CLUTCH SPRING	1		
2-034	358-02103-200	WASHER	2	-H117450	
2-034	348-0602R-200	CLUTCH PLATE A	2	N H117451-	
2-035	357-0075T-200	STEP BOLT	2		
2-036	994-14050-162	SCREW 5X16/S	3		
2-038	992-05080-030	BEND WASHER 8	2	N H117451-	
2-041	403-0097A-200	INLET MANIFOLD GASKET	1		
2-042	404-0097A-800	CARBURETOR INSULATOR COMP.	1		
2-043	992-00050-011	SMALL WASHER 5	2		
2-044	992-10050-012	S. WASHER 5	2		
2-045	990-11050-221	SCREW 5X22	2	M	
2-045	990-11050-241	SCREW 5X24	2		
2-046	402-0602K-200	CARBURETOR GASKET	1	-J074660	
2-046	402-0602K-201	CARBURETOR GASKET	1	P J074661-	
2-050	431-0602K-200	AIR CLEANER GASKET	1	D J074661-	
2-051	436-0097A-200	CLEANER BASE	1	-H117450	
2-051	436-0097A-201	CLEANER BASE	1	P H117451-	
2-052	532-01251-200	CHOKE LEVER CAP	1		
2-053	528-0097A-200	CHOKE LEVER	1	R -G175170	
2-053	528-0097A-201	CHOKE LEVER	1	G175171-	
2-054	999-67008-012	O-RING S-8	1		
2-055	470-0602N-200	CLEANER COLLAR	2		
2-056	423-0162V-200	CLEANER BODY	1		
2-057	446-0162V-200	CLEANER ELEMENT	1		
2-058	476-01800-200	BLOW OVER CHECK BOARD	1		
2-059	992-00050-011	SMALL WASHER 5	2	D G066802-	
2-060	992-10050-012	S. WASHER 5	2		
2-061	990-11050-571	SCREW 5X57	2		
2-062	452-0097A-200	CLEANER COVER	1	-H117450	
2-062	452-0097A-201	CLEANER COVER	1	P H117451-	
2-063	380-0631A-200	CLEANER COVER BOLT	1		
2-071	990-11030-101	SCREW 3X10	2		
2-072	990-11030-121	SCREW 3X12	2		
2-073	992-10030-012	S. WASHER 3	4	M	
2-073	992-01030-011	WASHER 3	4	M	
2-073	992-00030-011	SMALL WASHER 3	2		
2-074	476-25016-200	DIAPHRAGM COVER	1		
2-075	447-25108-200	PRIMING BODY	1		
2-076	442-25106-800	PRIMING PUMP BODY COMP.	1		
2-077	991-01030-011	HEX. NUT 3	2		
2-078	700-03005-085	FUEL PIPE 3X5X85	1	-G175170	
2-078	700-03005-100	FUEL PIPE 3X5X100	1	N G175171-	
2-079	222-06300-200	FUEL PIPE GROMMET	1		

- To be cont'd -

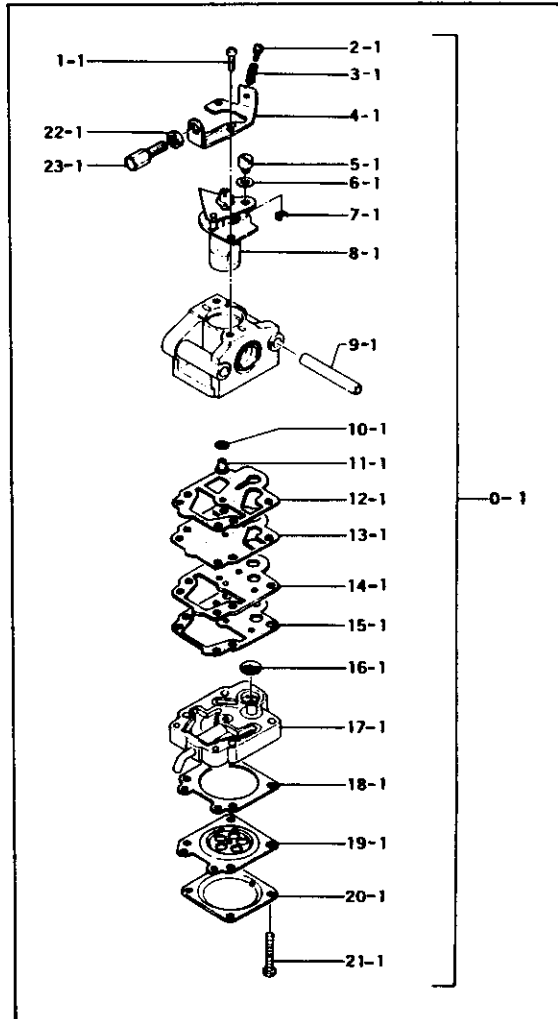
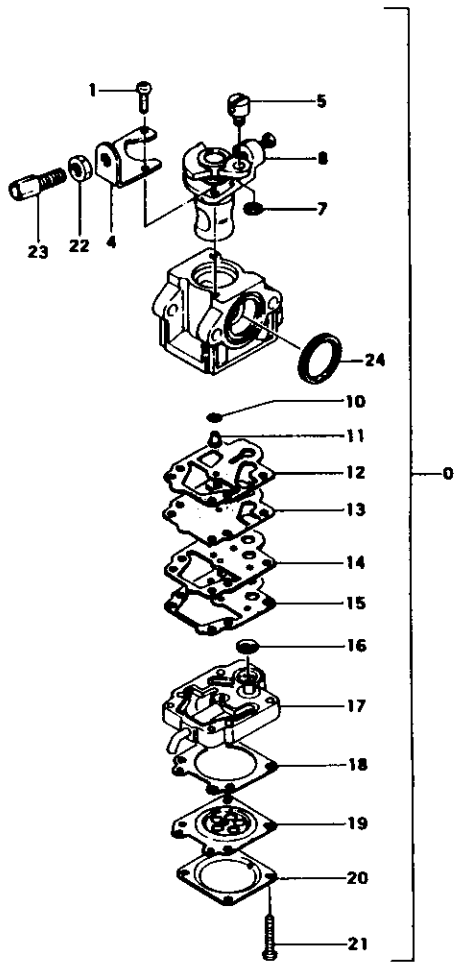
REF. NBR	PART NBR	PART NAME	QTY	SERIAL NBR	REMARKS
2-080	700-02504-085	FUEL PIPE 2.5X4X85	1		
2-081	992-10030-012	S.WASHER 3	1	M	
2-081	992-10030-012	S.WASHER 3	4		
2-086	223-0097A-900	FUEL PIPE ASS'Y	1	I -H117450	
2-086	223-0162V-900	FUEL PIPE ASS'Y	1	H117451-	
2-087	680-00731-201	CLIP	1		
2-089	675-11800-900	PUMP FILTER BODY ASS'Y	1		
2-091, 1	591-0097A-200	TANK	1	-G175170	
2-091	591-0097A-201	TANK	1	M G175171-	
2-092	595-0062A-901	TANK CAP ASS'Y	1		
2-096	655-00940-200	FUEL TANK CUSHION RUBBER	4	-H117450	
2-096	655-00940-201	FUEL TANK CUSHION RUBBER	4	P H117451-	
2-097	653-0097A-200	TANK BRACKET	1		
2-098	994-15040-222	SCREW 4X22/PS	2		

FIG.3 RECOIL STARTER



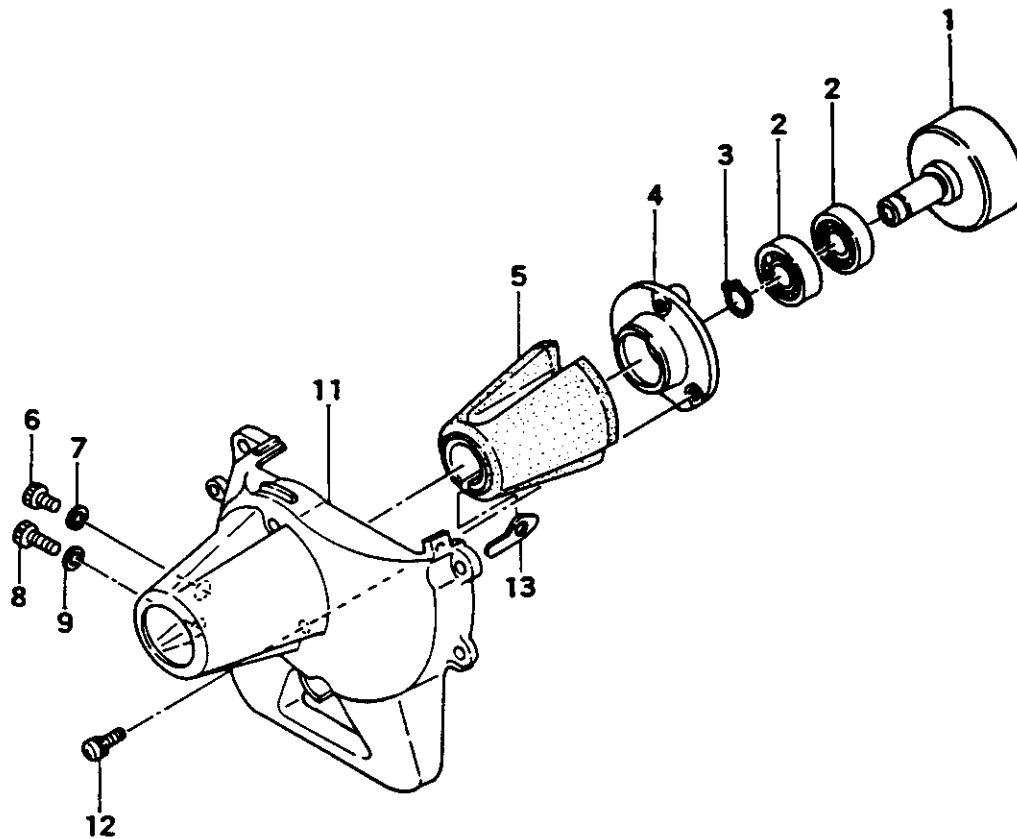
REF. NBR	PART NBR	PART NAME	QTY	SERIAL NBR	REMARKS
3-000	762-00940-900	RECOIL STARTER BODY ASS'Y	1	-J074660	
3-000	762-00940-901	RECOIL STARTER BODY ASS'Y	1	J074661-	
3-002	785-00940-200	STARTER HANDLE	1		
3-003	772-00940-800	RECOIL STARTER BODY COMP.	1	-J074660	
3-003	772-00940-801	RECOIL STARTER BODY COMP.	1	J074661-	
3-004	780-00940-200	RECOIL SPRING	1		
3-005	783-00940-200	STARTER ROPE	1		
3-006	774-00940-200	STARTER PULLEY	1		
3-007	788-00940-200	STARTER PAWL	1		
3-008	801-05015-200	STARTER REEL WASHER	1		
3-010	837-05015-200	FRICTION PLATE	1		
3-011	822-05015-200	STARTER REEL SHIM	1		
3-012	839-05015-200	SET BOLT	1		

FIG.4 CARBURETOR



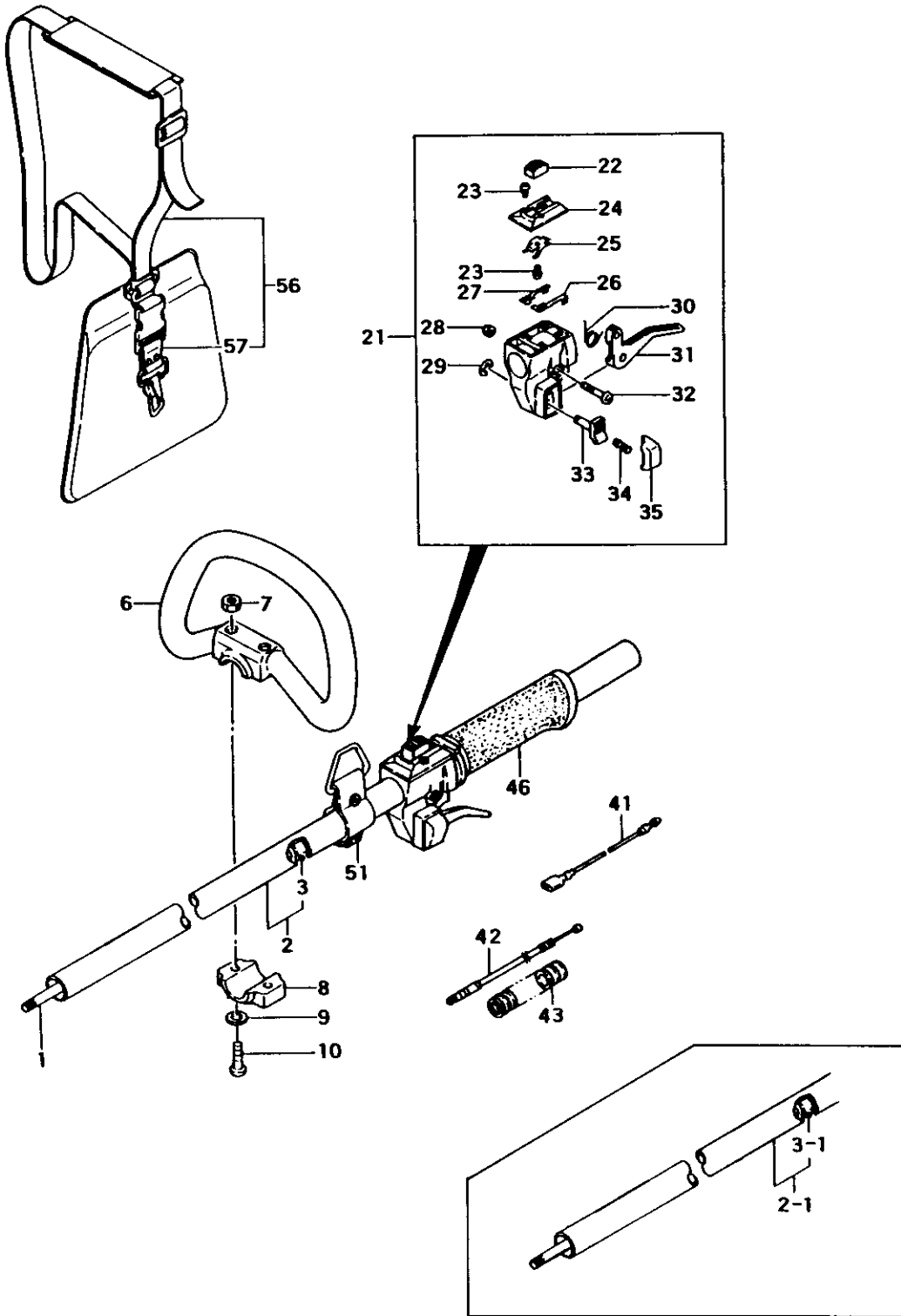
REF. NBR	PART NBR	PART NAME	QTY	SERIAL NBR	REMARKS
4-000.1	455-25110-900	CARBURETOR ASS'Y	1	-J074660	
4-000	455-25133-900	CARBURETOR ASS'Y, WYJ-10	1	J074661-	
4-001.1	514-25100-200	THROTTLE SET SCREW	2		
4-002.1	462-25100-201	IDLE ADJUST SCREW	1		
4-003.1	463-25100-200	IDLE ADJUST SPRING	1		
4-004.1	544-25100-200	ADJUSTER STAY	1		
4-005.1	539-25101-200	SWIVEL	1		
4-006.1	549-25100-200	THRUST WASHER	1		
4-007.1	489-25100-200	STOP RING	1		
4-008.1	488-25106-800	THROTTLE VALVE COMP.	1		
4-009.1	437-25100-200	SLEEVE	2		
4-010.1	550-25100-200	O-RING	1		
4-011.1	599-2000V-420	MAIN JET #42	1		
4-012.1	577-25100-200	PUMP GASKET	1		
4-013.1	576-25100-200	PUMP DIAPHRAGM	1		
4-014.1	523-25100-201	PUMP PLATE	1		
4-015.1	522-25100-200	CIRCUIT PLATE	1		
4-016.1	578-25001-200	INLET SCREEN	1		
4-017.1	575-25105-800	PUMP BODY COMP	1		
4-018.1	475-25001-200	DIAPHRAGM GASKET	1		
4-019.1	474-25001-800	METERING DIAPHRAGM COMP.	1		
4-020.1	476-25004-200	DIAPHRAGM COVER	1		
4-021.1	548-25101-200	SET SCREW	4		
4-022.1	613-25100-200	CABLE ADJUST NUT	1		
4-023.1	614-25100-200	CABLE ADJUSTER	1		
4-001	514-25100-200	THROTTLE SET SCREW	2		
4-004	544-25120-200	CABLE ADJUST STAY	1		
4-005	539-25120-200	SWIVEL	1		
4-007	489-25100-200	STOP RING	1		
4-008	488-25129-800	THROTTLE VALVE COMP.	1		
4-010	550-25100-200	O-RING	1		
4-011	599-2000V-420	MAIN JET #42	1		
4-012	577-25100-200	PUMP GASKET	1		
4-013	576-25100-200	PUMP DIAPHRAGM	1		
4-014	523-25100-201	PUMP PLATE	1		
4-015	522-25100-200	CIRCUIT PLATE	1		
4-016	578-25007-200	INLET SCREEN	1		
4-017	575-25130-800	PUMP BODY COMP.	1		
4-018	475-25001-200	DIAPHRAGM GASKET	1		
4-019	474-25001-800	METERING DIAPHRAGM COMP.	1		
4-020	476-25004-200	DIAPHRAGM COVER	1		
4-021	548-25101-200	SET SCREW	4		
4-022	613-25100-200	CABLE ADJUST NUT	1		
4-023	614-25100-200	CABLE ADJUSTER	1		
4-024	431-0634C-200	CLEANER PACKING	1		

FIG.5 CLUTCH CASE



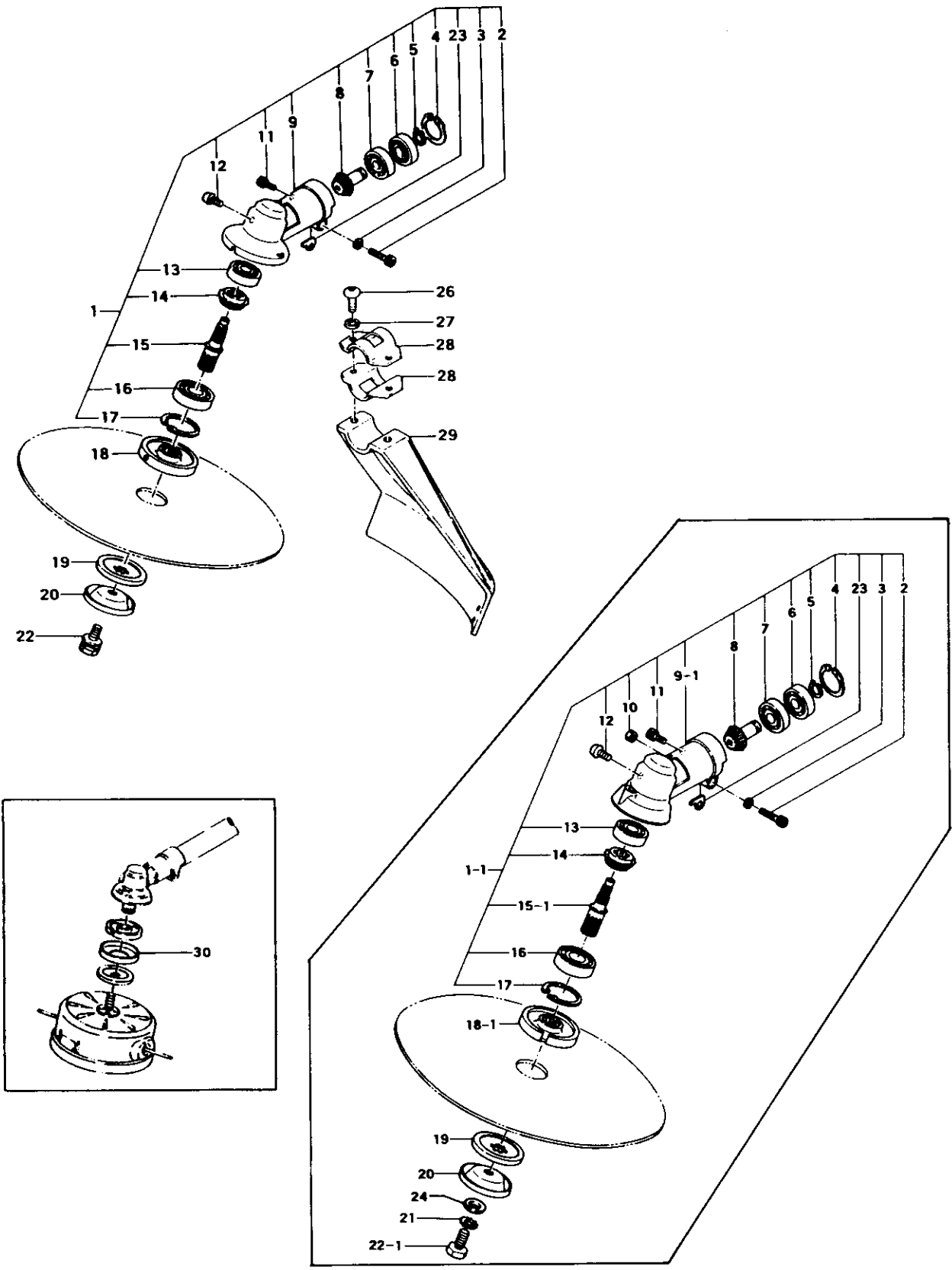
REF. NBR	PART NBR	PART NAME	QTY	SERIAL NBR	REMARKS
5-001	289-0631A-800	CLUTCH DRUM COMP.	1	-J074660	
5-001	289-0631A-801	CLUTCH DRUM COMP.	1	P -J230750	
5-001	289-0631A-801	CLUTCH DRUM COMP.	1	I -J230750	
5-001	289-0631A-802	CLUTCH DRUM COMP.	1	J230751-	
5-002	999-61600-103	BALL BEARING 6001D, 28MM/OD	2		
5-003	993-50012-002	STOP RING C-12 EX	1		
5-004	374-0631A-200	CLUTCH FLANGE	1		
5-005	599-0631A-800	CUSHION RUBBER COMP.	1	R -G175170	
5-005	599-0631A-801	CUSHION RUBBER COMP.	1	R -H117450	
5-005	599-0631A-802	CUSHION RUBBER COMP.	1	H117451-	
5-006	990-51050-103	HEX. HOLE BOLT 5X10	1		
5-007	992-10050-062	S.WASHER 5	1		
5-008	990-51050-203	HEX. HOLE BOLT 5X20	1		
5-009	992-10050-062	S.WASHER 5	1		
5-011	112-0097A-200	FAN CASE	1	R -H117450	
5-011	112-0097A-201	FAN CASE	1	H117451-	
5-012	994-14050-122	SCREW 5X12/S	3		
5-013	249-0165A-200	SPACER	1	N J074661-	

FIG.6 HANDLE



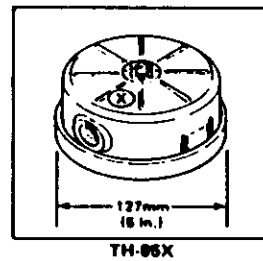
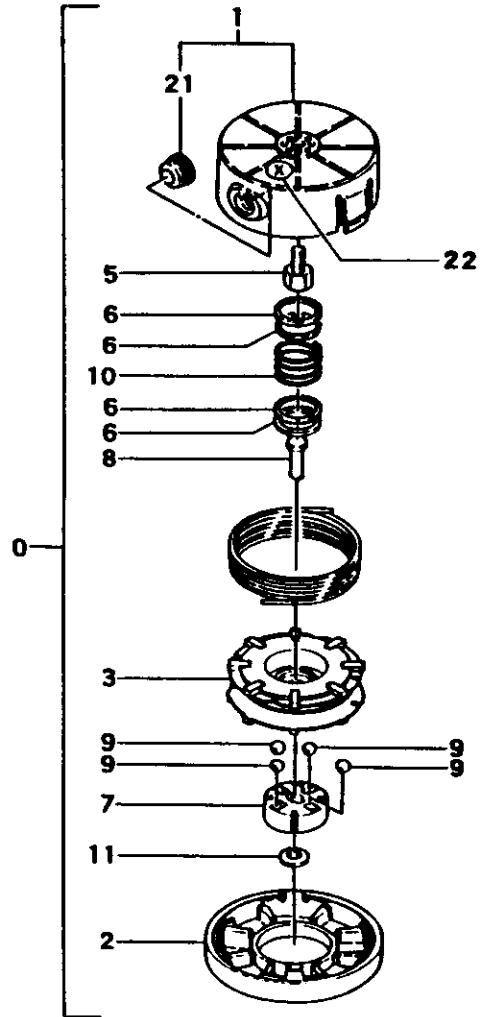
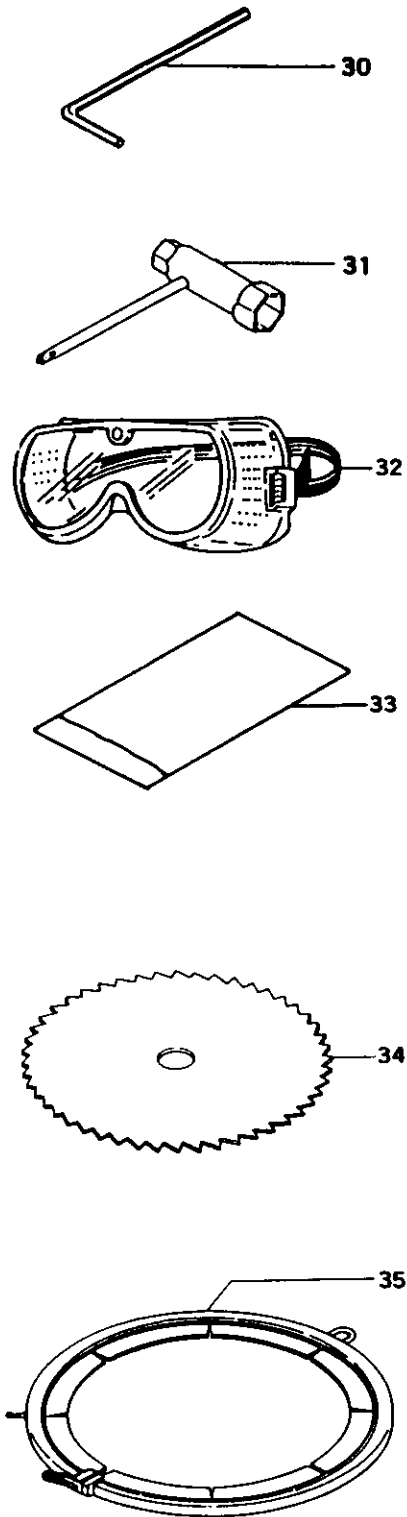
REF. NBR	PART NBR	PART NAME	QTY	SERIAL NBR	REMARKS
6-001	343-37300-200	DRIVE SHAFT. 7X1504L SOLID	1		
6-002, 1	341-37300-800	DRIVE SHAFT PIPE COMP.	1	-J074660	
6-002	341-37601-800	DRIVE SHAFT PIPE COMP.	1	P J074661-	
6-003, 1	347-37300-900	BUSHING ASS'Y	5	-J074660	
6-003	347-37601-900	BUSHING ASS'Y	5	N J074661-	
6-006	500-37300-200	HANDLE	1		
6-007	991-01060-041	HEX. NUT 6	2		
6-008	506-37300-200	HANDLE BRACKET A	1		
6-009	992-01060-061	WASHER 6	2		
6-010	990-53060-403	HEX. HOLE SCREW 6X40	2		
6-021	870-37300-900	THROTTLE LEVER ASS'Y	1		
6-022	162-37101-200	STOP SWITCH	1		
6-023	993-42030-081	TAPPING SCREW 3X8	3		
6-024	259-37101-200	STOP SWITCH BASE	1		
6-025	262-37101-200	STOP SWITCH SPRING	1		
6-026	177-37101-200	EARTH TERMINAL B	1		
6-027	176-37101-200	EARTH TERMINAL A	1		
6-028	991-86050-000	SELF-LOCK NUT 5	1		
6-029	993-55060-001	STOP RING 6	1		
6-030	832-37101-200	RETURN SPRING	1		
6-031	880-37101-200	THROTTLE ARM	1		
6-032	994-31050-251	SCREW 5X25	1		
6-033	853-37101-200	LOCK BUTTON SHAFT	1		
6-034	958-37101-200	LOCK BUTTON SPRING	1		
6-035	956-37101-200	LOCK BUTTON	1		
6-041	178-37300-801	STOP CORD COMP.	2		
6-042	885-0097A-800	THROTTLE WIRE COMP.	1		
6-043	164-13014-010	PROTECTION TUBE 13X140L	1		
6-046	504-37300-200	SHAFT GRIP	1		
6-051	335-37302-900	LIFTING METAL ASS'Y	1		
6-056	746-33564-900	SHOULDER BELT ASSY. KOREAN MAKE	1		
6-057	748-33564-900	HOOK ASS'Y	1		

FIG.7 GEAR CASE



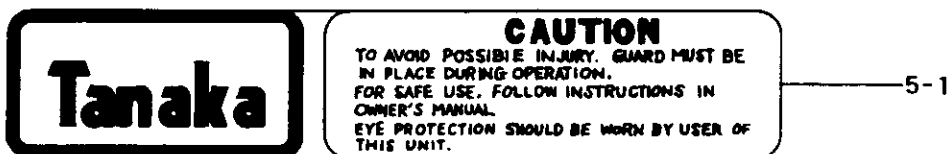
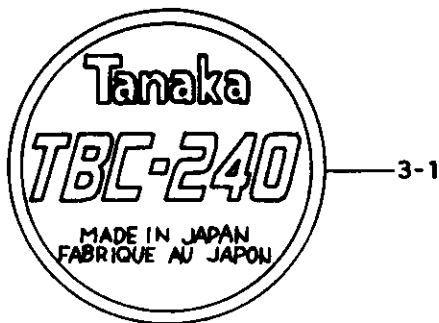
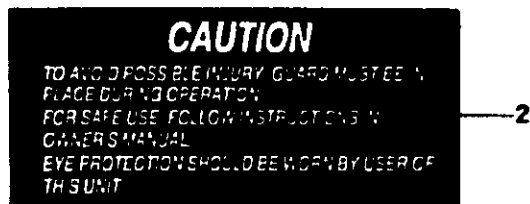
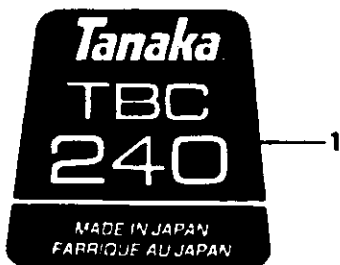
REF. NBR	PART NBR	PART NAME	QTY	SERIAL NBR	REMARKS
7-001.1	300-37300-900	GEAR CASE ASS'Y	1	-J230750	
7-001	300-37307-901	GEAR CASE ASS'Y	1	N J230751-	
7-002	990-51050-253	HEX. HOLE BOLT 5X25	1		
7-003	992-10050-062	S.WASHER 5	1		
7-004	993-53022-002	STOP RING R-22 IN	1		
7-005	993-50010-002	STOP RING C-10 EX	1		
7-006	999-61690-003	BALL BEARING 6900D, 22MM/OD	1	I -J230750	
7-006	999-61690-001	BALL BEARING 6900ZZ, 22MM/OD	1	J230751-	
7-007	999-61690-000	BALL BEARING 6900, 22MM/OD	1		
7-008	302-37300-200	PINION	1		
7-009.1	300-37300-200	GEAR CASE	1	-J074660	
7-009.1	300-37300-201	GEAR CASE	1	P -J230750	
7-009	300-37307-200	GEAR CASE	1	N J230751-	
7-010	991-01050-041	NUT 5	1	D J230751-	
7-011	990-51050-103	HEX. HOLE BOLT 5X10	1		
7-012	990-14080-104	SCREW 8X10	1		
7-013	999-61626-000	BALL BEARING 626 , 19MM/OD	1		
7-014	301-37300-200	GEAR	1		
7-015.1	304-37300-200	GEAR SHAFT	1	-H117450	
7-015.1	304-37300-201	GEAR SHAFT	1	P -J230750	
7-015	304-37307-200	GEAR SHAFT	1	N J230751-	
7-016	999-61600-104	BALL BEARING 6001DD, 28MM/OD	1		
7-017	993-51028-002	STOP RING C-28 IN	1		
7-018.1	310-37300-200	CUTTER HOLDER	1	-H117450	
7-018.1	310-37300-210	CUTTER HOLDER	1	N H117451-	
7-018	310-37623-200	CUTTER HOLDER	1	N J230751-	
7-019	311-37300-200	CUTTER HOLDER CAP	1	R -G175170	
7-019	311-37300-201	CUTTER HOLDER CAP	1	R -H117450	
7-019	311-37300-202	CUTTER HOLDER CAP	1	H117451-	
7-020	318-33410-200	BOLT PROTECTION COVER	1		
7-021	992-29080-000	TOOTHED LOCK WASHER 8 L/H	1	D J074661-	
7-022.1	312-37300-200	FIXING BOLT (L.H. THREAD)	1	-J074660	
7-022	312-37623-200	FIXING BOLT (L.H. THREAD)	1	P J074661-	
7-023	324-37300-200	GEAR CASE WASHER	1	-J230750	
7-023	324-37350-200	GEAR CASE WASHER	1	P J230751-	
7-024	992-01080-011	WASHER 8	1	D J074661-	
7-026	990-53060-153	HEX. HOLE SCREW 6X15	2		
7-027	992-10060-062	S.WASHER 6	2		
7-028	442-33905-201	SAFETY GUARD BRACKET	2		
7-029	441-33905-800	SAFETY GUARD COMP., PLASTIC	1		
7-030	307-37301-200	WINDING PROTECTOR	1	N H117451-	
7-030	307-37301-200	WINDING PROTECTOR	1	D J230751-	

FIG.8 TOOLS & NYLON HEAD



REF. NBR	PART NBR	PART NAME	QTY	SERIAL NBR	REMARKS
8-000	783-33440-901	NYLON HEAD ASS'Y (TH-95X)	1	I -H102680	
8-000	783-33440-902	NYLON HEAD ASS'Y (TH-95X)	1	H102681-	
8-001	786-33004-801	CUTTING BODY COMP.	1	I -H102680	
8-001	786-33004-900	CUTTING BODY ASS'Y	1	H102681-	
8-002	789-33004-201	BODY CAP	1		
8-003	787-33004-202	CORD REEL	1		
8-005	314-33670-200	8X1.25 L/H BOLT (GOLD)	1		
8-006	792-33004-200	REEL WASHER	4		
8-007	790-33004-200	REEL SLIDER	1		
8-008	791-33004-200	REEL SLIDER HOOK	1		
8-009	673-35600-200	STEEL BALL 5/16"	4		
8-010	793-33440-200	REEL SPRING (GOLD)	1		
8-011	358-02103-200	WASHER	1		
8-021	788-33071-200	CORD GUIDE	2	N H102681-	
8-022	926-33440-200	IDENTIFICATION MARK, X	1		
8-030	813-20000-200	HEX. WRENCH 4	1		
8-031	829-20000-800	COMBI. BOX SPANNER 13X19 .PLUS	1		
8-032	540-33671-900	GOGGLE ASS'Y	1		
8-033	948-39907-200	TOOL BAG	1		
8-034	803-37414-200	48 TOOTH BLADE, 230MM	1	N J230751-	
8-035	615-37304-200	CUTTER COVER	1	N J230751-	

FIG.9 MARKS



REF. NBR	PART NBR	PART NAME	QTY	SERIAL NBR	REMARKS
9-001	906-37302-200	NAME PLATE	1	N J074661-	
9-002	919-37701-200	CAUTION MARK	1	N J074661-	
9-003, 1	906-00970-200	NAME PLATE	1	-J074660	
9-003	950-37900-200	PROFORCE MARK A	1	N J074661-	
9-004	923-37400-200	LEVEL MARK	1		
9-005, 1	929-33576-201	SYMBOL MARK	1	-J074660	
9-005	951-31310-200	PROFORCE MARK B	1	N J074661-	
9-006	933-37301-200	SYMBOL MARK B	1	N J074661-	

Free Manuals Download Website

<http://myh66.com>

<http://usermanuals.us>

<http://www.somanuals.com>

<http://www.4manuals.cc>

<http://www.manual-lib.com>

<http://www.404manual.com>

<http://www.luxmanual.com>

<http://aubethermostatmanual.com>

Golf course search by state

<http://golfingnear.com>

Email search by domain

<http://emailbydomain.com>

Auto manuals search

<http://auto.somanuals.com>

TV manuals search

<http://tv.somanuals.com>