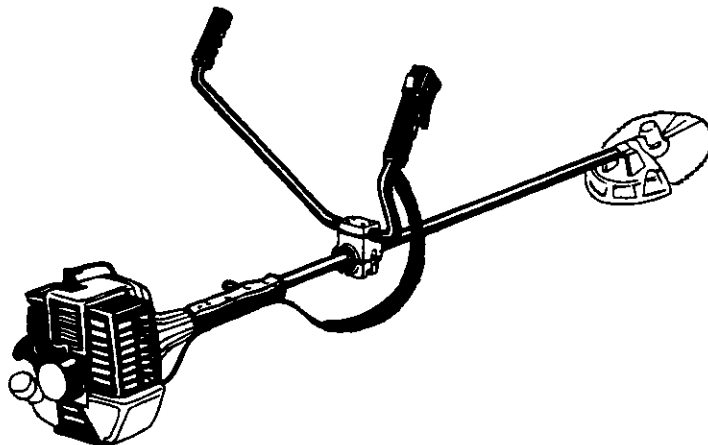


# ***Tanaka***

## **Parts Catalog**

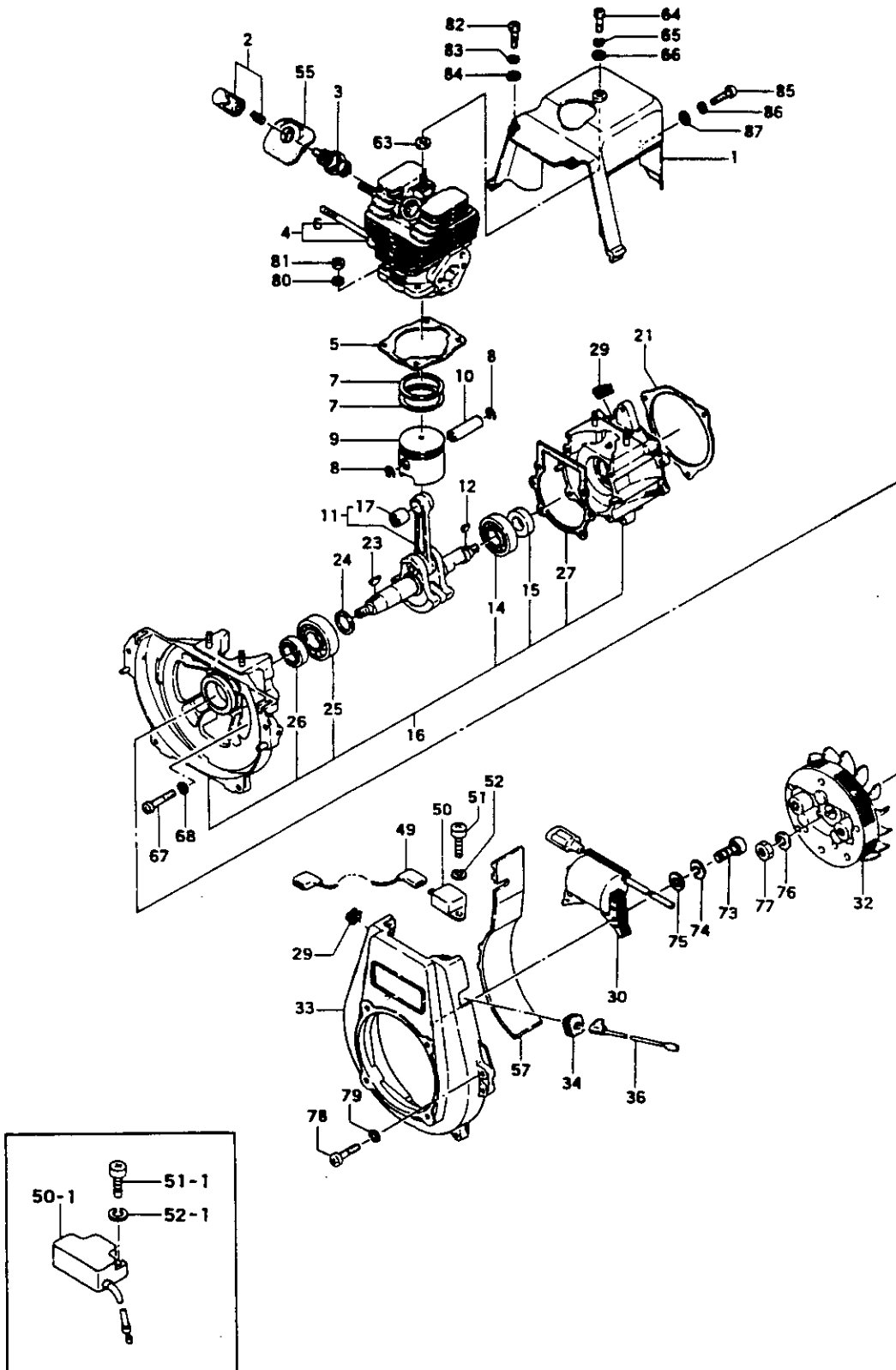


## **Brush Cutter**

**Model: TBC-322**

Part # 10864 04-15-98

# FIG.1 ENGINE



**FIGURE 1**

**TBC-322 PARTS LISTING**

REF.	PART NO.	PART DESCRIPTION	Q	C	S	SERIAL NO	REMARKS
1	016-01300-210	SHROUD,CYLINDER	1		D		
2	157-01570-900	CAP, SPARK PLUG, ASS'Y	1		C		
3	018-02233-200	PLUG, SPARK	1		D		
4	002-01320-800	CYLINDER	1		D		
5	017-01300-210	GASKET, CYLINDER	1		C		
6	100-01300-202	BOLT, STUD 6X9	2		D		
7	041-01000-201	RING, PISTON, LOWER	2		B		
8	039-00000-201	CIRCLIP, PISTON PIN	2		A		
9	031-01400-204	PISTON	1		C		
10	037-01400-200	PIN, PISTON	1		C		
11	046-01360-821	CRANKSHAFT	1		D		
12	068-00300-200	KEY, WOODRUFF, 3X10X3.7	1		B		
14	999-61600-200	BEARING, BALL, #6002	1		B		
15	999-66122-240	SEAL, OIL, #12227	1		A		
16	072-01370-901	CRANKCASE, ASS'Y	1		D		Includes bearings, seals & gasket
17	999-62091-325	BEARING, NEEDLE, F-910	1		D		
21	810-01225-201	GASKET, RECOIL STARTER, A	1		D		
23	068-10100-200	KEY, WOODRUFF, 3X13X4.5	1		C		
24	071-02007-200	SHIM, 15.2X20X.05	V		D		
24	071-02007-220	SHIM, 15.2X20X.15	V		D		Shims are "as needed" to obtain correct c/s side clearance.
24	071-11600-230	SHIM, 16X21X.20	V		D		
24	071-11600-240	SHIM, 16X21X.30	V		D		
25	999-61620-200	BEARING, BALL, #6202	1		B		
26	999-66152-511	SEAL, OIL, #VE15X25X7	1		A		
27	090-01300-20	GASKET, CRANKCASE	1		D		
29	203-06000-200	GROMMET, PRIMARY CORD	2		C		
30	167-21509-802	COIL, IGNITION	1		C		
32	155-21703-802	ROTOR, MAGNETO	1		D		
33	112-01360-212	CASE, FAN	1		D		
34	203-0604A-202	GROMMET	1		C		
36	173-11600-800	CORD, PRIMARY	1		C		
49	173-0075G-800	CORD, PRIMARY	1		D	~E263075	
49	173-06400-800	WIRE, LEAD	1		D	E263076~	
50	159-21401-870	IGNITOR, TTI-ID	1		B		
51-1	990-11040-151	SCREW, 4X15	2		C	~E179755	
51	990-11040-081	SCREW, 4X8	1		C	E179756~	
52	992-10040-012	WASHER, S, 4	2		D		
55	255-01300-200	COVER, SPARK PLUG	1		D		
57	132-01300-200	PAN, FLASH	1		D		

\* Indicates the part is included in a kit or assembly and is not available individually. Q=Quan. used  
 C=Interchangeability S=Stocking code: A=Fast moving B=Med. fast C=Med. move D=Slow move  
 E=N.L.A. F=Superceded or replaced by a new part

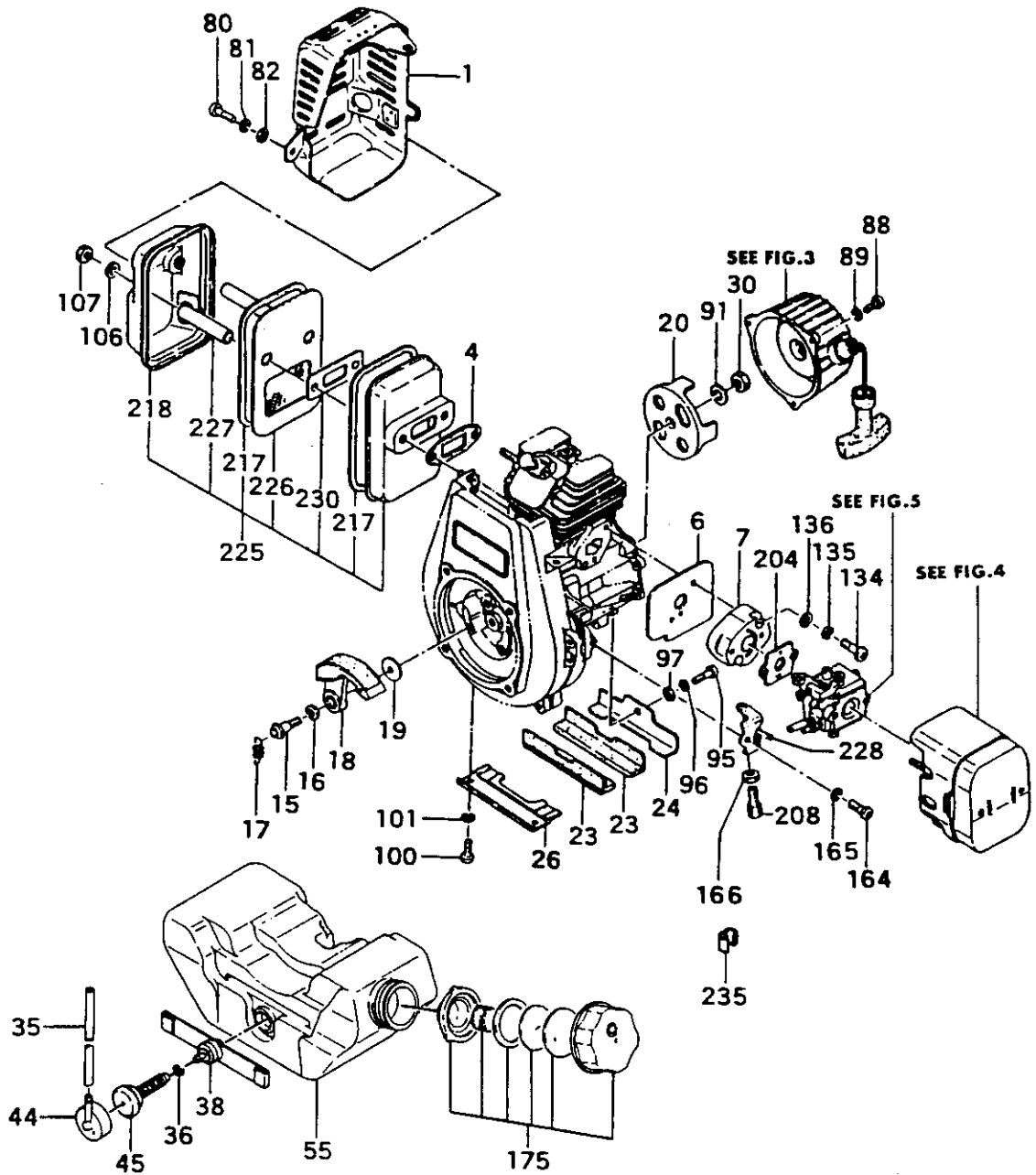
**FIGURE 1 cont.**

**TBC-322 PARTS LISTING**

REF.	PART NO.	PART DESCRIPTION	Q	C	S	SERIAL NO	REMARKS
63	102-01300-200	INSULATOR	1		D		
64	990-11050-181	SCREW,5X18	1		B		
65	992-10050-012	WASHER,S,5	1		A		
66	992-01050-011	WASHER,5	1		A		
67	990-11050-251	SCREW,5X25	4		D		
68	992-10050-012	WASHER,S,5	4		A		
73	990-11040-181	SCREW,4X18	2		D		
74	992-10040-012	WASHER,S,4	2		D		
75	992-00040-011	WASHER,4	2		B		
76	992-01080-011	WASHER,8	1		A		
77	991-01080-011	NUT,8	1		B		
78	990-11050-181	SCREW,5X18	4		B		
79	992-10050-012	WASHER,S,5	4		A		
80	992-10050-012	WASHER,S,5	4		A		
81	991-01050-011	NUT,5	4		A		
82	990-11040-121	SCREW,4X12	2		B		
83	992-10040-012	WASHER,S,4	2		D		
84	992-01040-011	WASHER,4	2		C		
85	990-11050-121	SCREW,5X12	1		A		
86	992-10050-012	WASHER,S,5	1		A		
87	992-01050-011	WASHER,5	1		A		

\* Indicates the part is included in a kit or assembly and is not available individually. Q=Quan. used  
 C=Interchangeability S=Stocking code: A=Fast moving B=Med. fast C=Med. move D=Slow move  
 E=N.L.A. F=Superceded or replaced by a new part

# FIG.2 ENGINE COMPONENTS



**FIGURE 2**

**TBC-322 PARTS LISTING**

REF.	PART NO.	PART DESCRIPTION	Q	C	S	SERIAL NO	REMARKS
1	738-01320-800	PROTECTOR,MUFFLER	1		D		
4	737-01225-210	GASKET,MUFFLER	1		D		
6	403-01320-200	GASKET,INLET MANIFOLD	1		C		
7	404-01320-200	INSULATOR,CARBURETOR	1		D		
5	357-02110-202	BOLT,CLUTCH,STEP	3		C		
6	358-02103-200	WASHER,CLUTCH A	3		A		
7	342-01515-200	SPRING,CLUTCH	3		A		
8	290-02110-802	SHOE,CLUTCH	3		B		
9	359-02103-200	WASHER,CLUTCH,B	3		B		
20	774-01250-200	PULLEY,STARTER	1		D		
23	655-01300-200	CUSHION,TANK	2		C		
24	653-01300-201	METAL,TANK HOLDING	1		C		
26	654-01320-200	BRACKET,TANK	1		C		
30	066-00601-200	NUT,FLYWHEEL	1		D		
35	700-03005-210	PIPE,FUEL,3X5X210	1		C		
36	680-04019-210	CLIP,7	1		B		
38	675-0608A-900	FILTER,FUEL	1		A		
44	500-33202-205	CAP,RUBBER PIPE	1		A		
45	678-00601-201	PIPE,RUBBER	1		A		
55	591-0132R-200	TANK	1		C		
80	990-11040-101	SCREW,4X10	2		A		
81	992-10040-012	WASHER,S,4	2		D		
82	992-01040-011	WASHER,4	2		C		
88	990-11040-121	SCREW,4X12	3		B		
89	992-10040-012	WASHER,S,4	3		D		
91	065-00000-200	WASHER,FLYWHEEL	1		D		
95	990-11060-141	SCREW,6X14	1		C		
96	992-10060-012	WASHER,S,6	1		A		
97	992-01060-011	WASHER,6	1		A		
100	990-11050-121	SCREW,5X12	2		A		
101	992-10050-012	WASHER,S,5	2		A		
106	992-01060-011	WASHER,6	2		A		
107	991-74060-010	NUT,6	2		D		
134	990-11050-241	SCREW,5X24	2		D		
135	992-10050-012	WASHER,S,5	2		A		
136	992-00050-011	WASHER,SMALL,5	2		C		
164	990-11050-121	SCREW,5X12	1		A		
165	992-10050-012	WASHER,S,5	1		A		
166	991-01060-013	NUT,6	1		B		

\* Indicates the part is included in a kit or assembly and is not available individually. Q=Quan. used  
 C=Interchangeability S=Stocking code: A=Fast moving B=Med. fast C=Med. move D=Slow move  
 E=N.L.A. F=Superceded or replaced by a new part

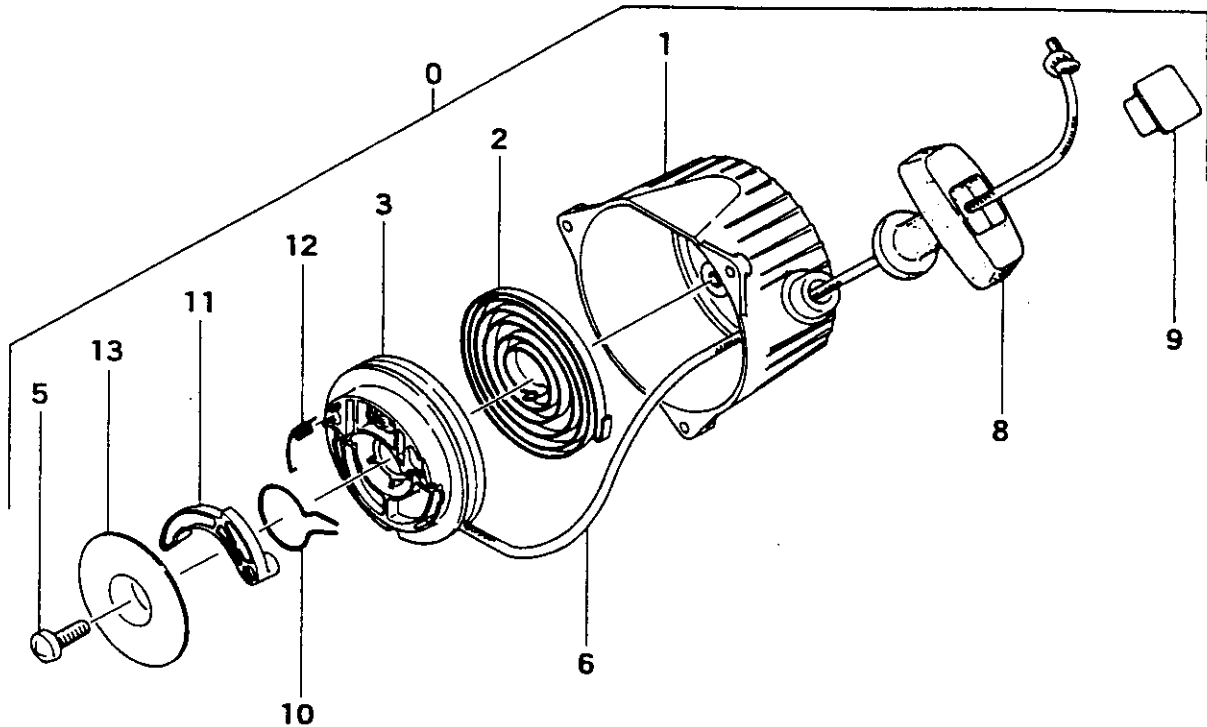
**FIGURE 2 cont.**

**TBC-322 PARTS LISTING**

REF.	PART NO.	PART DESCRIPTION	Q	C	S	SERIAL NO	REMARKS
175	595-05024-90	CAP,TANK	1		A		
204	402-00601-20	GASKET,CARBURETOR	1		A		
208	894-01401-201	RECEIVER,OUTER	1		B		
217	739-01320-201	GASKET,MUFFLER	2		C		
218	717-01320-802	BODY,MUFFLER B	1		C		
225	706-01320-902	MUFFLER,ASS'Y	1		D		
226	722-01320-801	PARTITION,MUFFLER	1		D		
227	740-0136G-200	COLLAR,MUFFLER	2		D		
228	878-01320-200	METAL,THROTTLE WIRE HOLDING	1		D		
230	718-0136S-200	FLANGE,MUFFLER	1		D		
235	778-36100-200	CLAMP,CORD	1		D		

\* Indicates the part is included in a kit or assembly and is not available individually. Q=Quan. used  
 C=Interchangeability S=Stocking code: A=Fast moving B=Med. fast C=Med. move D=Slow move  
 E=N.L.A. F=Superceded or replaced by a new part

## FIG.3 RECOIL STARTER



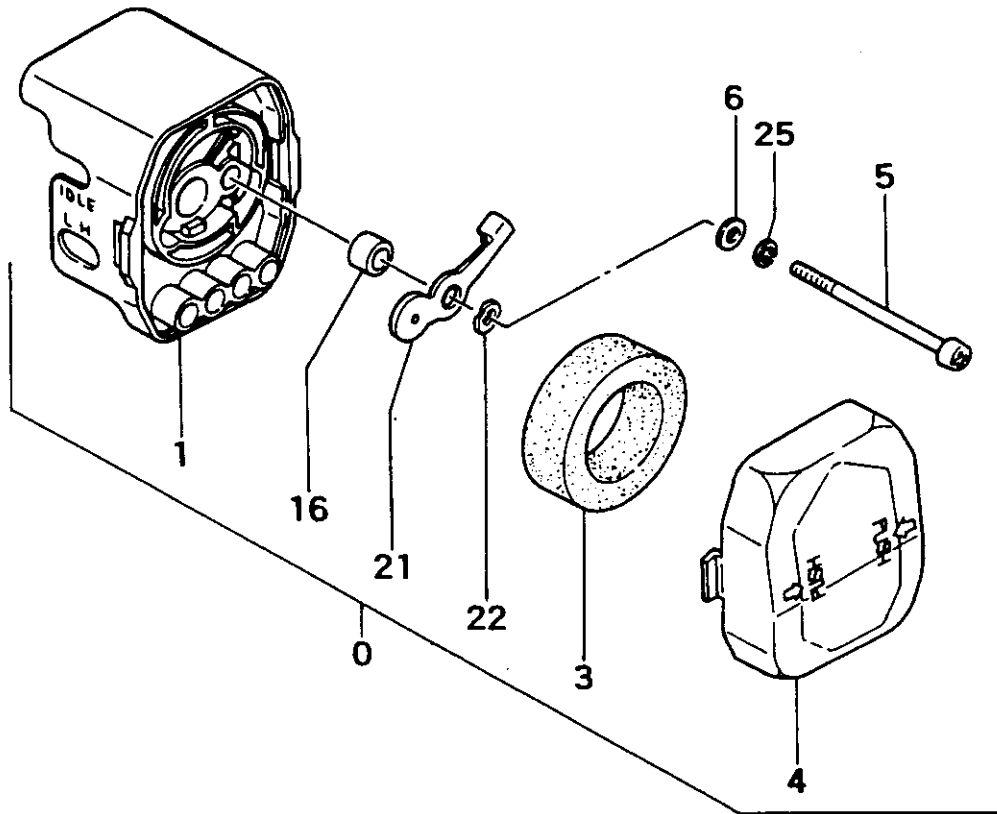
**FIGURE 3**

### TBC-322 PARTS LISTING

REF.	PART NO.	PART DESCRIPTION	Q	C	S	SERIAL NO.	REMARKS
0	762-01250-900	STARTER,RECOIL ASS'Y	1		D		
1	772-01250-201	BODY,RECOIL STARTER	1		D		
2	779-01250-200	SPRING,RECOIL	1		B		
3	769-01250-200	PULLEY,STARTER	1		C		
5	990-15050-121	SCREW,5X12	1		D		
6	783-01250-200	ROPE,STARTER,3.5X850	1		D		
8	785-01620-200	HANDLE,STARTER	1		C		
9	795-01620-200	SEAL,HANDLE KNOB	1		D		
10	836-06092-200	SPRING,FRICTION	1		D		
11	788-01250-200	PAWL,STARTER	1		D		
12	832-01250-200	SPRING,RETURN	1		D		
13	837-06092-200	PLATE,FRICTION	1		D		



# FIG.4 AIR CLEANER

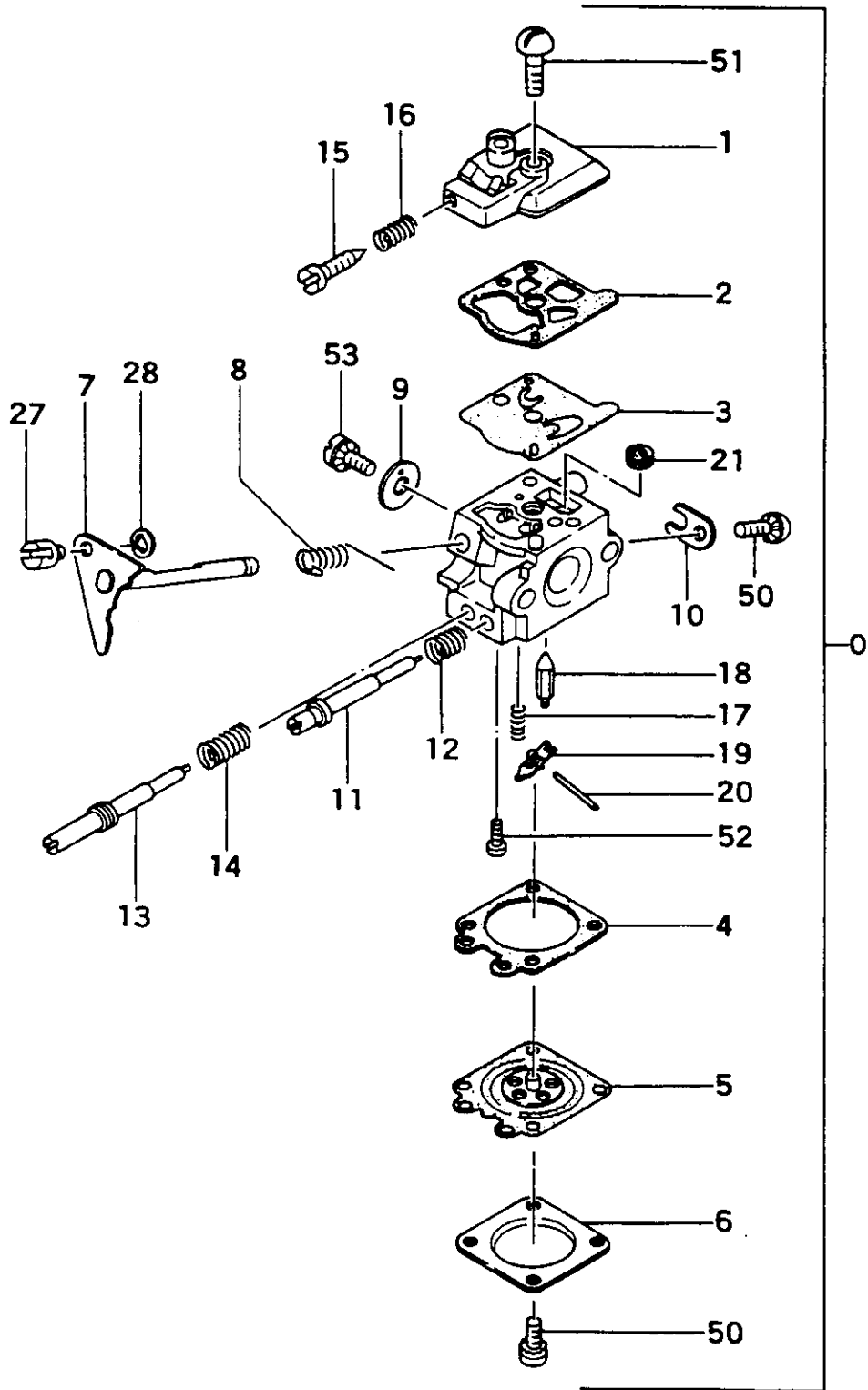


**FIGURE 4**

## TBC-322 PARTS LISTING

REF.	PART NO.	PART DESCRIPTION	Q	C	S	SERIAL NO.	REMARKS
0	410-0137R-901	CLEANER,AIR ASS'Y	1		D		
1	423-0137R-20	BODY,AIR CLEANER	1		D		
3	446-0602W-200	ELEMENT,CLEANER	1		A		
4	424-0137R-200	COVER,AIR CLEANER	1		B		
5	990-11050-571	SCREW,5X57	2		C		
6	992-01050-011	WASHER,5	2		A		
16	470-0602N-200	COLLAR,CLEANER	2		C		
21	528-0602W-202	PLATE,CHOKE	1		D		
22	992-04080-030	WASHER,8	1		C		
25	992-10050-012	WASHER,S,5	2		A		

**FIG.5 CARBURETOR**



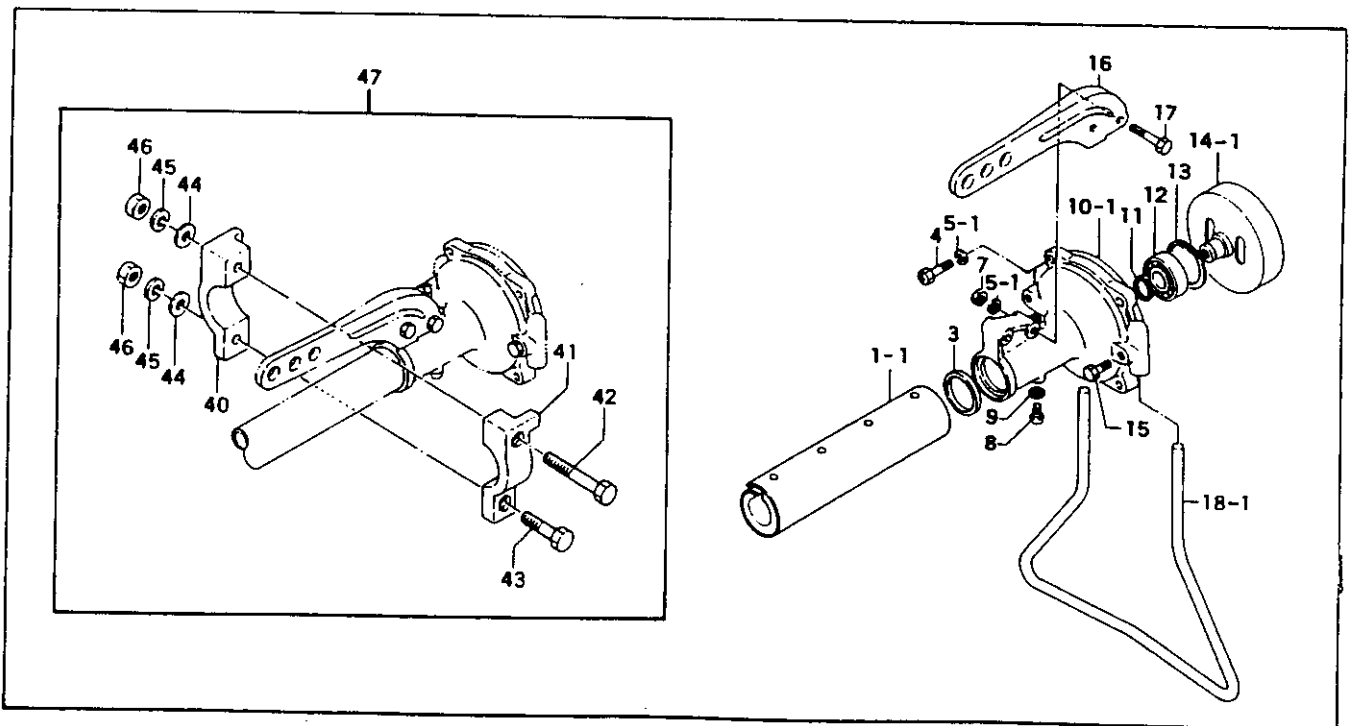
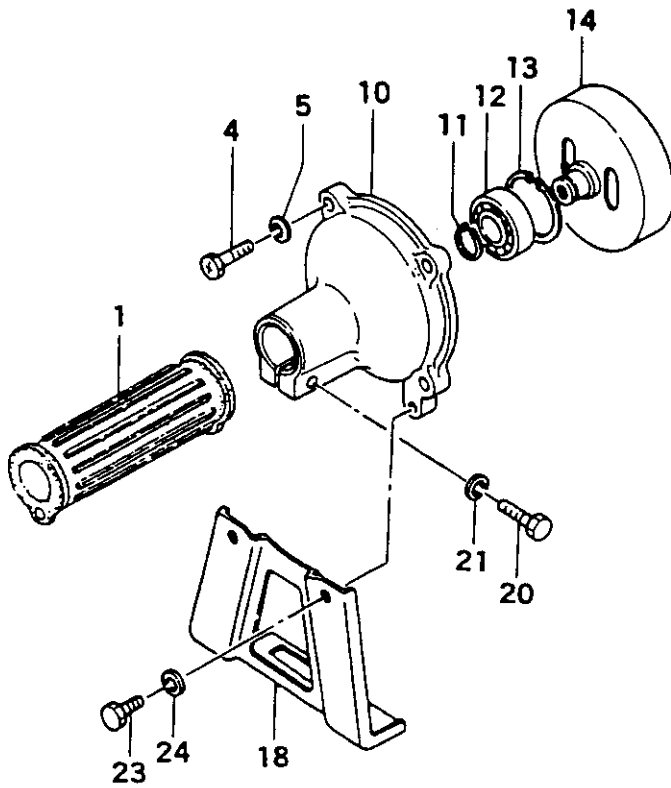
**FIGURE 5**

**TBC-322 PARTS LISTING**

REF.	PART NO.	PART DESCRIPTION	Q	C	S	SERIAL NO	REMARKS
0	455-25010-910	CARBURETOR,ASS'Y	1		D		
1	575-25028-200	BODY,PUMP	1		D		
2	----	*GASKET,PUMP	1		D		* Contained in Carb. Repair Kit 650-25001-910 (Not available individually)
3	----	*DIAPHRAGM,PUMP	1		C		
4	----	*GASKET,DIAPHRAGM	1		A		
5	----	*DIAPHRAGM,METERING	1		A		
6	476-25004-200	COVER,DIAPHRAGM	1		D		
7	464-25010-800	SHAFT,THROTTLE	1		D		
8	486-25009-200	SPRING,THROTTLE	1		C		
9	488-25008-200	VALVE,THROTTLE	1		D		
10	557-25006-200	CLIP,THROTTLE SHAFT	1		D		
11	460-25010-210	SCREW,HIGH ADJUST	1		D		
12	485-25003-200	SPRING,ADJUST,HIGH	1		D		
13	461-25010-200	SCREW,ADJUST,LOW	1		D		
14	623-25001-200	SPRING,ADJUST,LOW	1		D		
15	462-25006-200	SCREW,IDLE ADJUST	1		D		
16	463-25006-200	SPRING,IDLE ADJUST	1		D		
17	477-25007-200	SPRING,VALVE	1		D		
18	----	*VALVE,NEEDLE	1		C		
19	----	*HINGE,VALVE	1		C		
21	----	*PIN,HINGE	1		D		
27	----	*SCREEN,INLET	1		C		
27	539-25008-200	SWIVEL	1		C		
28	489-25008-200	RING,STOP	1		C		
50	548-25012-200	SCREW,SET	5		D		
51	514-25001-200	SCREW,SET	1		D		
52	546-25001-200	SCREW,SET,HINGE PIN	1		D		
53	467-25003-200	SCREW,SHUTTER	1		C		

\* Indicates the part is included in a kit or assembly and is not available individually. Q=Quan. used  
 C=Interchangeability S=Stocking code: A-Fast moving B=Med. fast C=Med. move D=Slow move  
 E=N.L.A. F=Superseded or replaced by a new part

# FIG.6 CLUTCH CASE



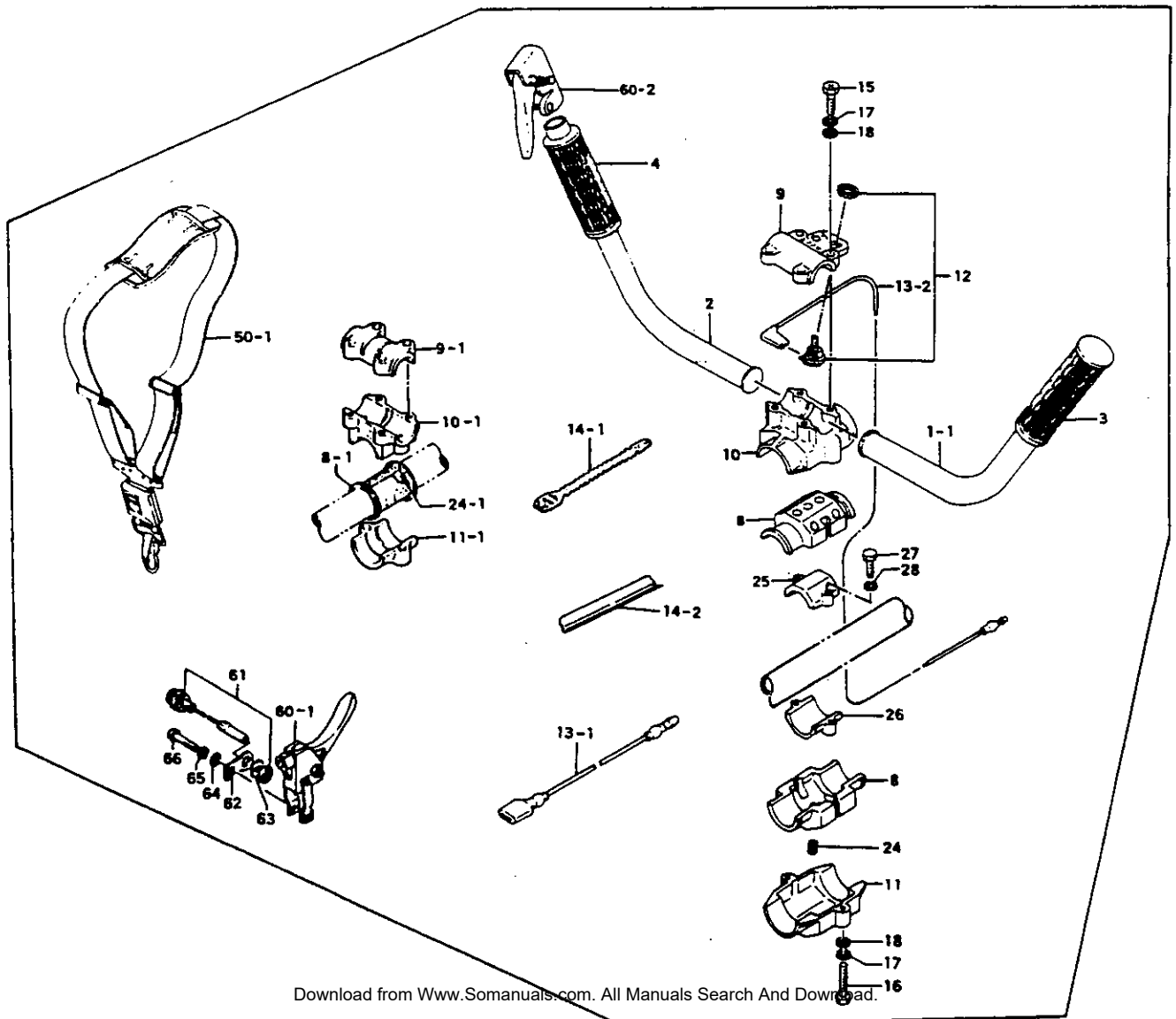
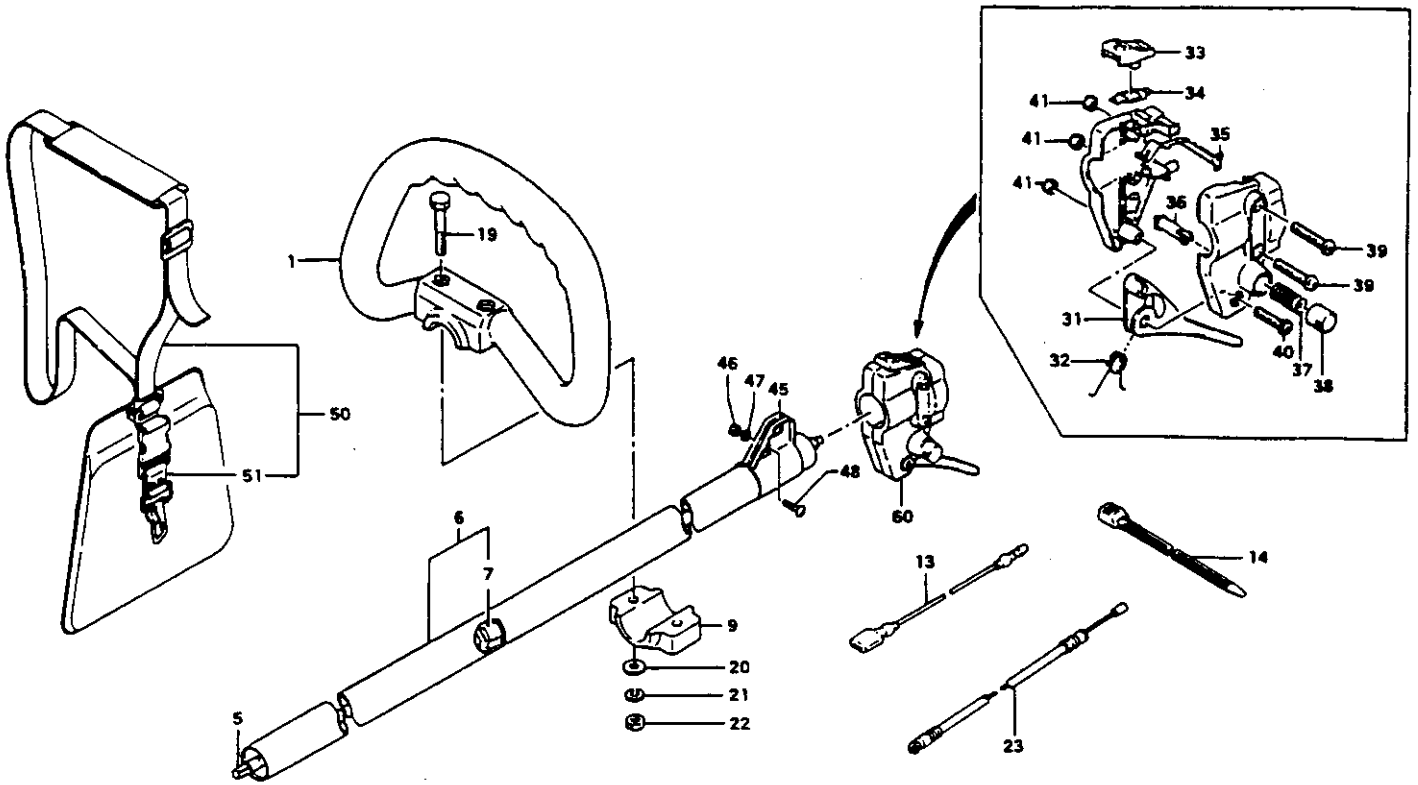
**FIGURE 6**

**TBC-322 PARTS LISTING**

REF.	PART NO.	PART DESCRIPTION	Q	C	S	SERIAL NO	REMARKS
1-1	336-33411-811	PAD,CUSHION	1		D	~E179755	
1	504-37003-200	GRIP,RUBBER	1		D	E179756~	
3	999-66283-560	SEAL,OIL	1		D	D011681~	
4	990-23060-221	BOLT,PLUS,6X22	4		C		
5	992-10060-012	WASHER,S,6	6		A		
7	991-01060-011	NUT,6	2		A	D011681~	
8	990-11060-101	SCREW,6X10	1		D	D011681~	
9	317-33411-201	GASKET,OIL	1		D	D011681~	
10-1	331-33411-205	HOUSING,CLUTCH	1		D	~A269309	
10-1	331-33411-210	HOUSING,CLUTCH	1		D	~D011680	
10	331-33680-201	CASE,CLUTCH	1		D	D011681~	
11	993-50015-002	RING,STOP,C-15 EX	1		C		
12	999-61620-201	BEARING,BALL,#6202ZZ	1		C		
13	993-51035-002	RING,IN,C-35,STOP	1		C		
14-1	332-33411-804	DRUM,CLUTCH	1		D	~D011680	
14	332-33680-801	DRUM,CLUTCH	1		C	D011681~	
15	990-21060-151	BOLT,6X15	2		C	D011681~	
16	335-33411-220	METAL,LIFTING	1		D		
17	990-21060-301	BOLT,6X30	2		D	D011681~	
18-1	741-33411-200	STAND	1		D	~A269309	
18-1	741-33576-200	STAND	1		D	~D011680	
18	739-33681-200	STAND	1		C	D011681~	
20	990-21060-251	BOLT,6X25	1		D	D011681~	
21	992-10060-012	WASHER,S,6	1		A	D011681~	
23	990-21050-101	BOLT,5X10	2		D	D011681~	
24	992-10050-012	WASHER,S,5	2		A	D011681~	
40	380-33577-201	HOLDER,CLUTCH CASE A	1		D	~C182862	
41	381-33577-201	HOLDER,CLUTCH CASE B	1		D	C182863~	
42	990-21060-401	BOLT,6X40	1		D	C182863~	
43	990-21060-251	BOLT,6X25	1		D	C182863~	
44	992-01060-011	WASHER,6	2		A	C182863~	
45	992-10060-012	WASHER,S,6	2		A	C182863~	
46	991-01060-011	NUT,6	2		D	C182863~	
47	TSL-300	LOCK,SHAFT,SWIVEL	1		E	NLA	

\* Indicates the part is included in a kit or assembly and is not available individually. Q=Quan. used  
 C=Interchangeability S=Stocking code: A=Fast moving B=Med. fast C=Med. move D=Slow move  
 E=N.L.A. F=Superceded or replaced by a new part

# FIG.7 HANDLE



**FIGURE 7**

**TBC-322 PARTS LISTING**

REF.	PART NO.	PART DESCRIPTION	Q	C	S	SERIAL NO	REMARKS
1-1	500-33411-202	HANDLE	2		D	~E179755	
1	500-33560-200	HANDLE, BLACK	1		D	E179756~	
2	500-33576-200	PIPE, HANDLE	1		C	E179756~	
3	503-33411-200	GRIP, HANDLE	2		D	E179756~	
4	503-33576-200	GRIP, HANDLE	1		D	E179756~	
5	343-33411-202	SHAFT, DRIVE	1		C		
6	341-33413-800	PIPE, DRIVE SHAFT	1		D	~E179755	
6	341-33564-800	PIPE, DRIVE SHAFT	1		C	E179756~	
7	347-33411-912	BUSHING, DRIVE SHAFT	5		D		
8-1	510-33411-201	CUSHION, HANDLE BRACKET	1		D	~C001100	
8	319-33576-200	CUSHION	2		D	C001101~	
9-1	506-33411-200	BRACKET, HANDLE A	1		D		
9	506-33576-210	BRACKET, HANDLE, A	1		D	~E179755	
9	506-33560-200	BRACKET, HANDLE, BLACK	1		D	E179756~	
10-1	507-33411-201	BRACKET, HANDLE B	1		D	~C001100	
10	507-33576-200	BRACKET, HANDLE B	1		D	C001101~	
11-1	508-33411-20	BRACKET, HANDLE, C	1		D	~C001100	
11	508-33576-200	BRACKET, HANDLE, C	1		D	C001101~	
12	162-01300-900	SWITCH, STOP	1		A	C001101~	
13-1	178-0602W-800	CORD, STOP	1		D	~C001100	
13-2	178-33680-800	CORD, STOP	1		D	~E179755	
13	178-37003-800	CORD, STOP	1		D	E179756~	
14-1	903-32201-200	HOLDER, THROTTLE WIRE	1		D	~C001100	
14-2	198-33576-200	CLAMP, CORD	1		D	C001101~	
14	198-33576-200	CLAMP, CORD	1		D	E179756~	
15	990-23060-221	BOLT, PLUS, 6X22	4		C	E179756~	
16	990-21060-301	BOLT, 6X30	2		D	E179756~	
17	992-10060-012	WASHER, S, 6	6		A	E179756~	
18	992-01060-011	WASHER, 6	6		A	E179756~	
19	990-21060-451	BOLT, 6X45	2		D	E179756~	
20	992-01060-011	WASHER, 6	2		A	E179756~	
21	992-10060-012	WASHER, S, 6	2		A	E179756~	
22	991-01060-011	NUT, 6	2		D	E179756~	
23	885-0132R-800	WIRE, THROTTLE	1		C	~C001100	
23	885-0137M-802	WIRE, THROTTLE	1		D	E179756~	
24-1	176-0062W-201	TERMINAL, GROUNDING	1		C	~C001100	
24	176-33576-200	TERMINAL, EARTH	1		D	C001101~	
25	448-33576-200	BRACKET, A	1		D	C001101~	
26	449-33576-200	BRACKET, B	1		D	C001101~	

\* Indicates the part is included in a kit or assembly and is not available individually. Q=Quan. used  
 C=Interchangeability S=Stocking code: A-Fast moving B=Med. fast C=Med. move D=Slow move  
 E=N.L.A. F=Superceded or replaced by a new part

FIGURE 7 cont.

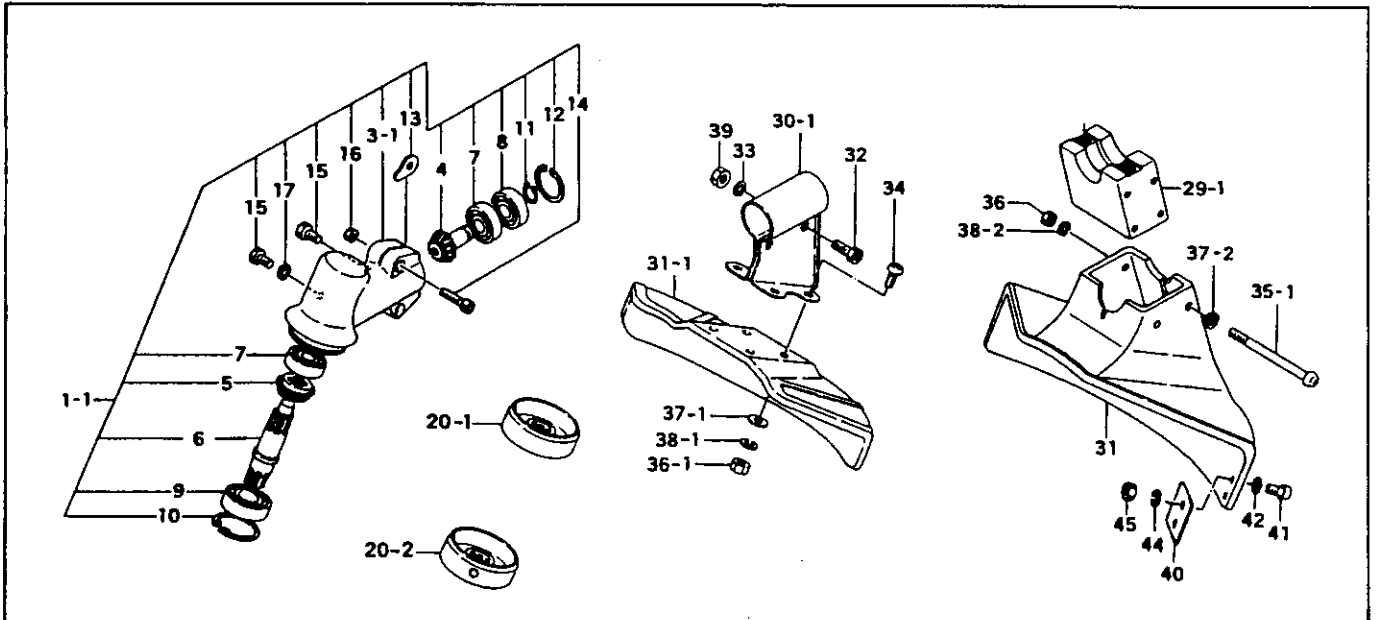
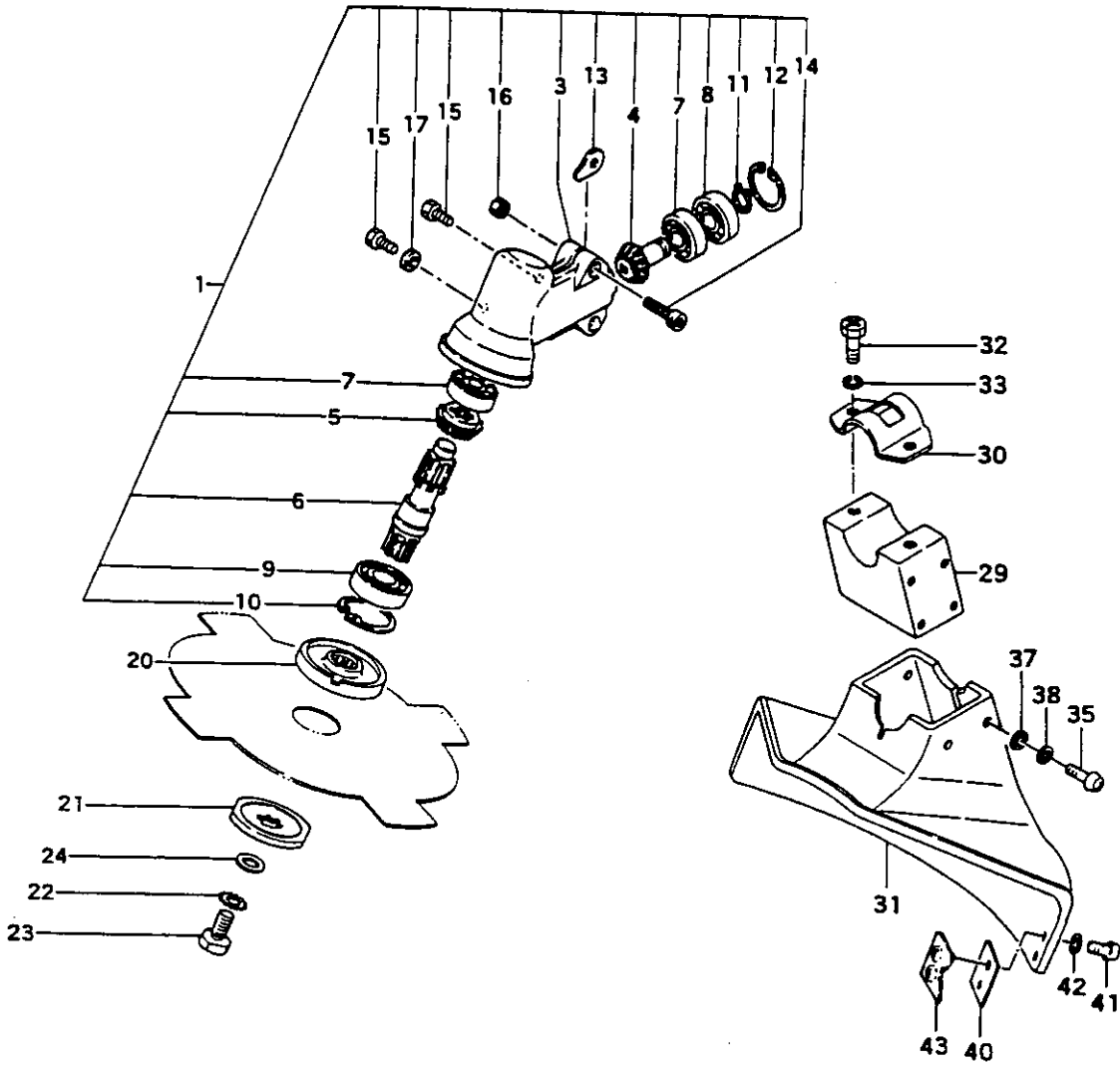
TBC-322 PARTS LISTING

REF.	PART NO.	PART DESCRIPTION	Q	C	S	SERIAL NO	REMARKS
27	990-21050-201	BOLT,5X20	2		D	C001101~	
28	992-10050-012	WASHER,S,5	2		A	C001101~	
31	880-33564-200	ARM,THROTTLE	1		D	E179756~	
32	832-33564-200	SPRING,RETURN	1		D	E179756~	
33	162-33564-210	SWITCH,STOP	1		D	E179756~	
34	262-33564-200	SPRING,STOP SWITCH	1		D	E179756~	
35	176-33564-200	TERMINAL,EARTH	1		D	E179756~	
36	956-33564-200	BUTTON,LOCK A	1		C	E179756~	
37	958-37101-200	SPRING,LOCK,BUTTON	1		D	E179756~	
38	957-33564-200	BUTTON,LOCK,B	1		C	E179756~	
39	990-11050-301	SCREW,5X30	2		C	E179756~	
40	994-31050-251	SCREW,S,5X25	1		C		
41	991-86050-000	NUT,LOCK,5	3		D	E179756~	
45	335-33682-200	METAL,LIFTING	1		C	D011681~	
46	991-01050-011	NUT,5	1		A	D011681~	
47	992-10050-012	WASHER,S,5	1		A	D011681~	
48	990-11050-161	SCREW,5X16	1		B	D011681~	
50-1	SS-250	STRAP,SHOULDER	1		C		
51	748-33564-900	HOOK,ASS'Y	1		D		
60-1	870-01560-910	LEVER,THROTTLE ASS'Y	1		C	~C001100	
60-2	870-04031-901	LEVER,THROTTLE ASS'Y	1		C	~E179755	
60	870-33564-901	LEVER,THROTTLE ASS'Y	1		C	E179756~	
61	170-01004-801	BUTTON,STOP	1		C	C001101~	
62	640-0137R-200	BRACKET,STOP BUTTON	1		D	C001101~	
63	992-04080-030	WASHER,8	1		C	C001101~	
64	992-01050-011	WASHER,5	1		A	C001101~	
65	992-10050-012	WASHER,S,5	1		A	C001101~	
66	994-31050-251	SCREW,S,5X25	1		C	C001101~	

\* Indicates the part is included in a kit or assembly and is not available individually. Q=Quan. used  
 C=Interchangeability S=Stocking code: A=Fast moving B=Med. fast C=Med. move D=Slow move  
 E=N.L.A. F=Superceded or replaced by a new part



# FIG.8 GEAR CASE



**FIGURE 8**

**TBC-322 PARTS LISTING**

REF.	PART NO.	PART DESCRIPTION	Q	C	S	SERIAL NO	REMARKS
1	300-37000-000	SET,GEAR CASE	1		D	~D159095	
3	300-33410-000	SET,GEAR CASE	1		D	D159096~	
4	302-37000-200	USE SET #3013341100	1		D		
5	301-33411-200	USE SET #3013341100	1		D		
6	304-37000-200	SHAFT,GEAR	1		D		
7	999-61600-000	BEARING,BALL,#6000	2		C		
8	999-61600-004	BEARING,BALL,#6000DD	1		C		
9	999-61600-203	BEARING,BALL,#6002D	1		C		
10	993-51032-002	RING,STOP,C-32 IN	1		C		
11	993-50010-002	RING,STOP,C-10 EX	1		C		
12	993-51026-002	RING,STOP,IN,C-26	1		D		
13	324-33410-201	WASHER,GEAR CASE	2		C		
14	990-51050-203	BOLT,HEX.HOLE,5X20	2		C		
15	990-23060-121	BOLT,PLUS,6X12	2		C		
16	991-01050-011	NUT,5	2		A		
17	317-33411-201	GASKET,OIL	1		D		
20-1	310-33410-202	HOLDER,CUTTER	1		E	~C158400	
20	310-33524-20	HOLDER,CUTTER	1		C	D159096~	
21	311-33411-201	CAP,CUTTER HOLDER	1		B		
22	992-29080-000	WASHER,TOOTHED LOCK,8	1		B		
23	312-33411-200	BOLT,CUTTER FIXING (LEFT)	1		A		
24	992-01080-011	WASHER,8	1		A		
29	445-33578-200	SPACER,BRACKET	1		D		
30-1	442-33410-200	BRACKET,SAFETY GUARD	1		D	~C158400	
30	442-33671-201	BRACKET	1		B	C158401~	
31-1	441-33700-220	GUARD,SAFETY	1		E	~C158400	
31	441-33671-220	GUARD,SAFETY	1		D	C158401~	
32	990-23060-151	BOLT,PLUS,6X15	2		A		
33	992-10060-012	WASHER,S,6	2		A		
34	990-11050-121	SCREW,5X12	4		A	~C001100	
34	990-11050-151	SCREW,5X15	4		C	C001101~	
35-1	990-11050-751	SCREW,5X75	2		C	~D011380	
35	990-11050-161	SCREW,5X16	4		D	D011381~	
36	991-01050-011	NUT,5	4		A		
37	992-01050-011	WASHER,5	4		A		
38	992-10050-012	WASHER,S,5	4		A		
39	991-01060-011	NUT,6	2		A		
40	800-33005-201	BLADE	1		C		
41	990-11040-161	SCREW,4X16	2		A	~C158400	

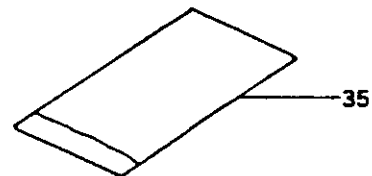
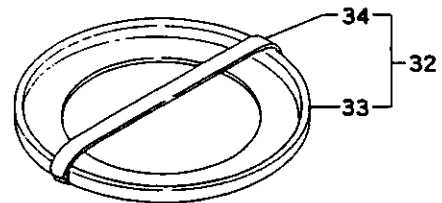
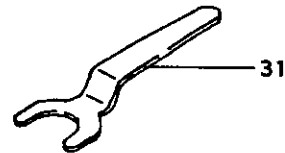
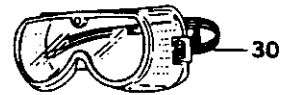
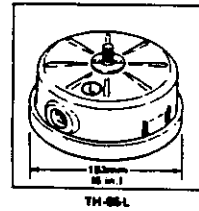
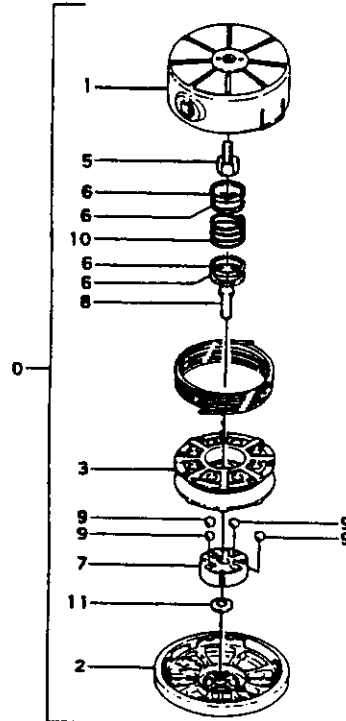
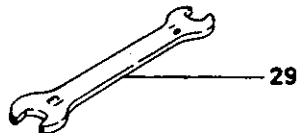
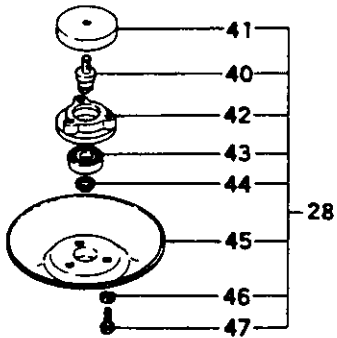
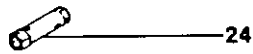
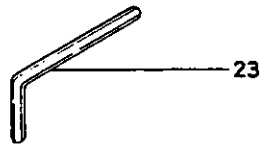
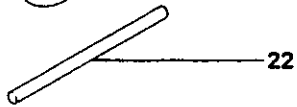
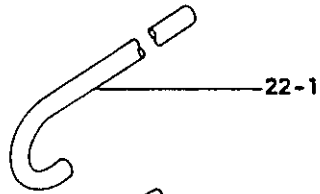
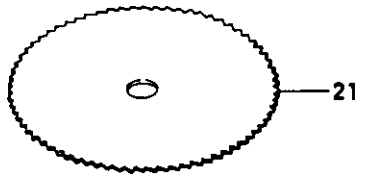
\* Indicates the part is included in a kit or assembly and is not available individually. Q=Quan. used  
 C=Interchangeability S=Stocking code: A=Fast moving B=Med. fast C=Med. move D=Slow move  
 E=N.L.A. F=Superceded or replaced by a new part

**FIGURE 8 cont.****TBC-322 PARTS LISTING**

REF.	PART NO.	PART DESCRIPTION	Q	C	S	SERIAL NO.	REMARKS
41	990-11040-121	SCREW,4X12	2		B	C158401~	
42	992-01040-011	WASHER,4	2		C		
43	799-33005-200	GUIDE,BLADE	1		C		
44	992-10040-012	WASHER,S,4	2		D		
45	991-01040-011	NUT,4	2		C		

\* Indicates the part is included in a kit or assembly and is not available individually. Q=Quan. used  
C=Interchangeability S=Stocking code: A=Fast moving B=Med. fast C=Med. move D=Slow move  
E=N.L.A. F=Superceded or replaced by a new part

# FIG.9 TOOLS & NYLON HEAD



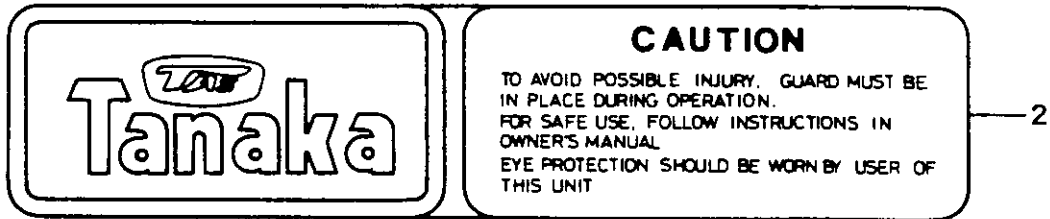
**FIGURE 9**

**TBC-322 PARTS LISTING**

REF.	PART NO.	PART DESCRIPTION	Q	C	S	SERIAL NO.	REMARKS
0	783-33670-93	IR487/AUTO HEAD (L)	1		B		
1	786-33670-92	BODY,CUTTING	1		C		
2	789-33670-23	CAP,BODY	1		B		
3	787-33670-210	REEL,(L)	1		C		
4	314-33670-20	BOLT,8X1.25 LH GOLD	1		A		
6	792-33004-200	WASHER,REEL	4		A		
7	790-33004-200	SLIDER,REEL	1		A		
8	791-33004-200	HOOK,REEL SLIDER	1		A		
9	673-35600-20	BALL,STEEL	4		A		
10	793-33910-20	SPRING,REEL,SILVER	1		A		
11	358-02103-200	WASHER,CLUTCH A	1		A		
21	746104	BLADE,SAW,9X80,(PSB-980)	1		A		
22-1	752-33564-202	STOPPER,HANDLE	1		D	C158401~	
22	752-33900-200	BAR,LOCKING	1		D	D159096~	
23	813-20000-200	WRENCH,HEX,4	1		D		
24	826-20000-200	SPANNER,BOX,17X19	1		D		
25	951-20000-200	HANDLE,8X120	1		D		
26	862-20000-200	SCREW DRIVER,PHILLIPS	1		D		
27	801-20000-200	SPANNER,8X10	1		D		
28	601-33411-900	DISK,BLADE SAFETY ASS'Y	1		C		
29	808-20000-200	SPANNER,10X13	1		D		
30	540-33671-900	GOGGLES,SAFETY	1		D	D011381~	
31	809-20000-202	SPANNER,41	1		D	C158401~	
32	BP-100	PROTECTOR,BLADE,9/10"	1		E		
34	616-33411-200	BAND,CUTTER COVER	1		D		
35	948-32310-200	BAG,TOOL	1		D		
40	604-33411-204	BOLT,DISK FIXING	1		D		
41	603-33411-200	COVER,FREE WHEELING DISK	1		D		
42	602-33411-201	METAL,FREE WHEELING DISK	1		D	~C182861	
43	999-61600-203	BEARING,BALL,#6002D	1		C		
44	993-50015-002	RING,STOP,C-15 EX	1		C		
45	601-33411-201	DISK,BLADE SAFETY	1		D		
46	992-10060-012	WASHER,S,6	3		D		
47	990-21060-121	BOLT,6X12	3		C		
47	990-21060-151	BOLT,6X15	3		C		

\* Indicates the part is included in a kit or assembly and is not available individually. Q=Quan. used  
 C=Interchangeability S=Stocking code: A=Fast moving B=Med. fast C=Med. move D=Slow move  
 E=N.L.A. F=Superseded or replaced by a new part

# FIG.10 MARKS



**FIGURE 10**

## **TBC-322 PARTS LISTING**

REF.	PART NO.	PART DESCRIPTION	Q	C	S	SERIAL NO	REMARKS
1	906-43670-220	DECAL,MODEL	1		D		
2	929-33576-201	DECAL,SYMBOL	1		D		

## Free Manuals Download Website

<http://myh66.com>

<http://usermanuals.us>

<http://www.somanuals.com>

<http://www.4manuals.cc>

<http://www.manual-lib.com>

<http://www.404manual.com>

<http://www.luxmanual.com>

<http://aubethermostatmanual.com>

Golf course search by state

<http://golfingnear.com>

Email search by domain

<http://emailbydomain.com>

Auto manuals search

<http://auto.somanuals.com>

TV manuals search

<http://tv.somanuals.com>