

# **Tanaka** Illustrated Parts Manual

Model Number:

**TBC-400PF**

**BRUSHCUTTER, 40cc**

P/N 39892

Rev 000

Date 5-31-05



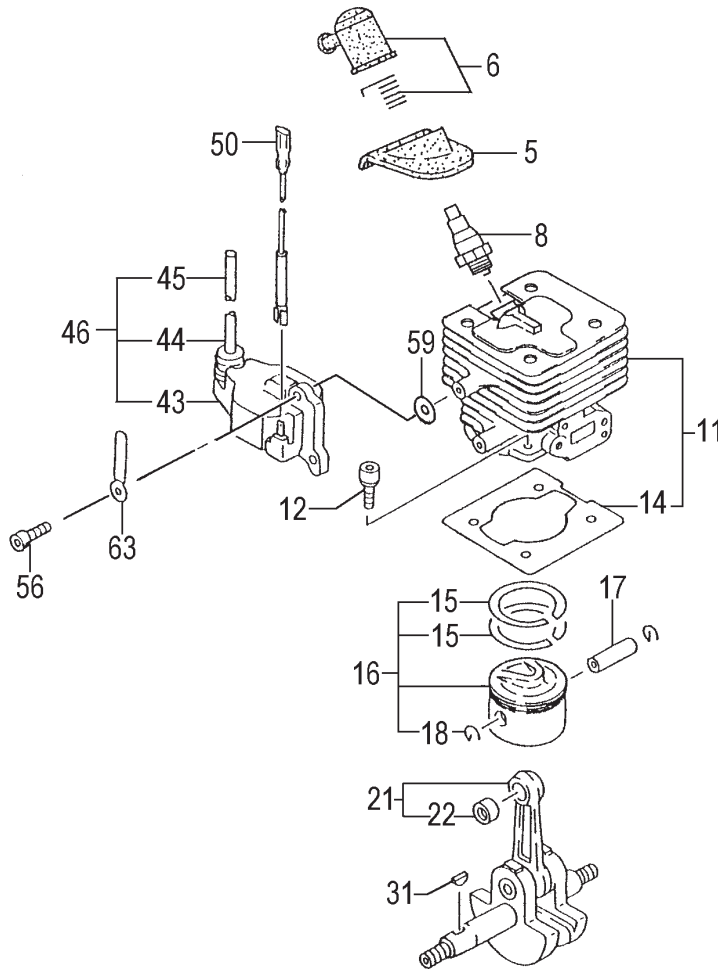
*Supplier To The Outdoor Power Equipment Industry*

ISM, Inc. • 1028 4<sup>th</sup> Street SW • Auburn, WA 98001 • Phone: (253) 333-1200 • Fax: (253) 333-1212

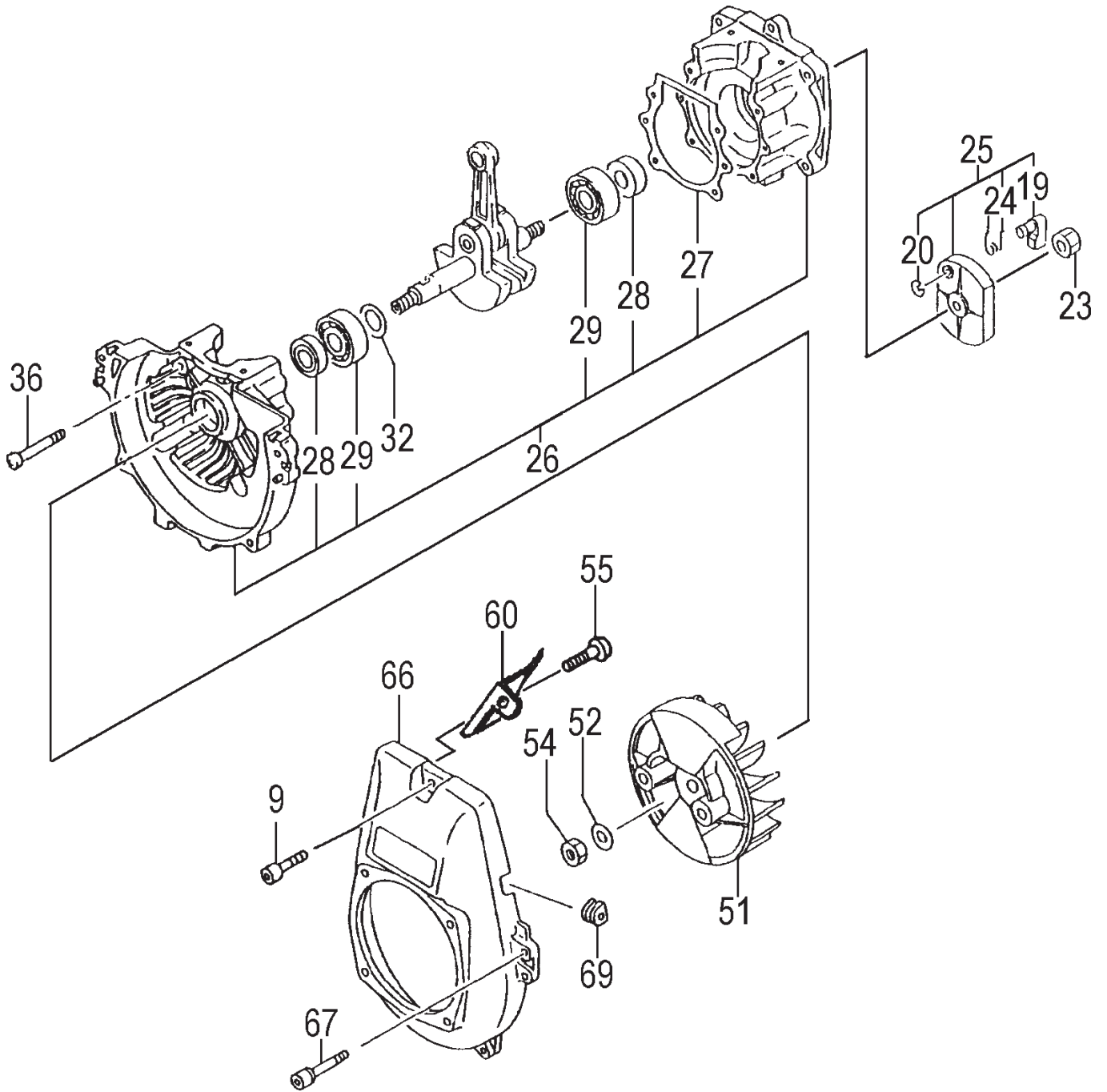
[www.tanaka-usa.com](http://www.tanaka-usa.com)

[custsvc@tanaka-ism.com](mailto:custsvc@tanaka-ism.com)

### CYLINDER, PISTON & CRANKSHAFT • FIGURE 1

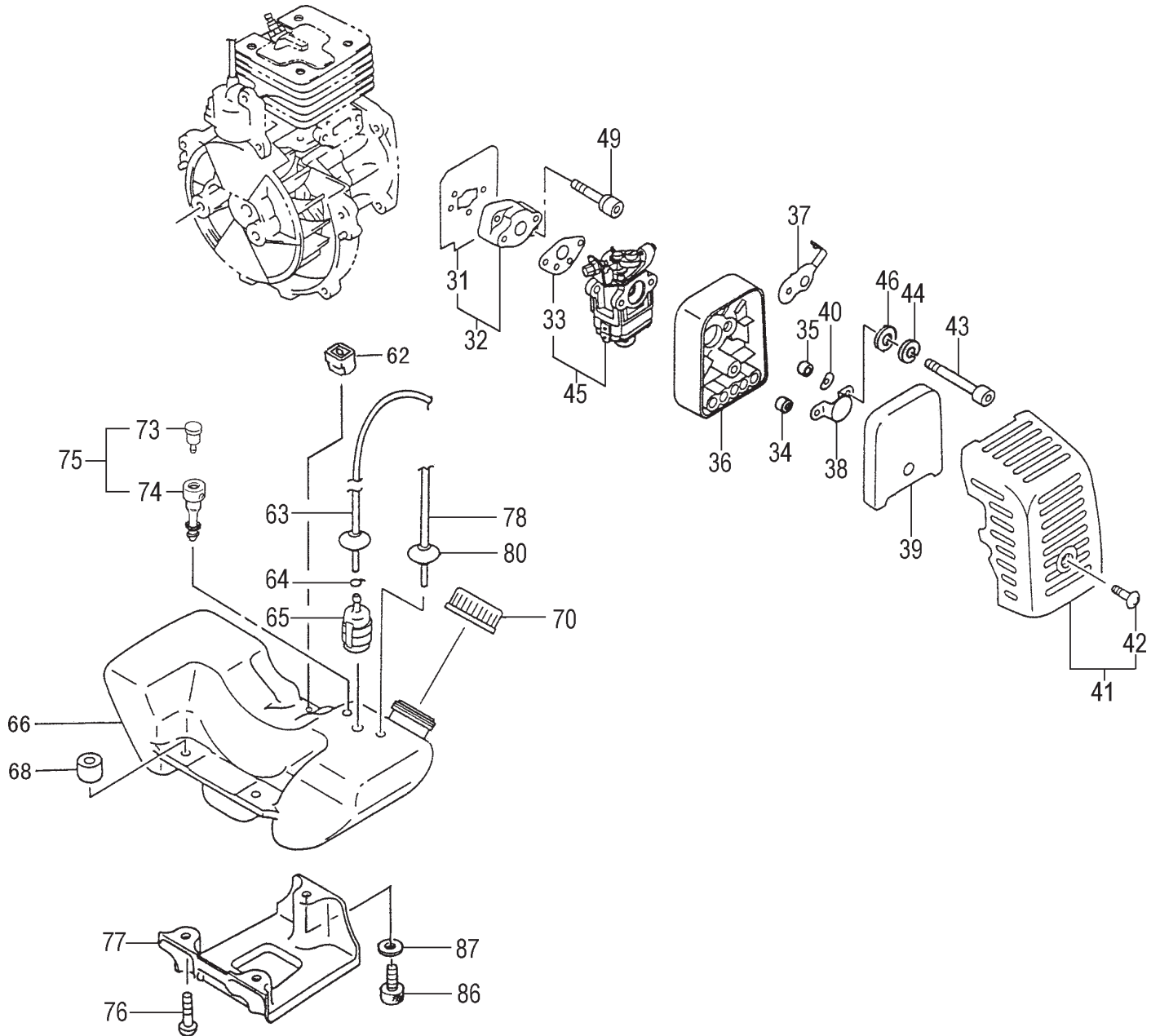


ITEM	PART NUMBER	DESCRIPTION	QTY	COMMENTS
1-5	25504200200	COVER,SPARK PLUG,RUBBER	1	
1-6	15711666900	CAP,SPARK PLUG	1	
1-8	0181166021	PLUG,SPARK	1	
1-11	0010440590	SET,CYLINDER	1	Includes gasket
1-12	99461050204	BOLT,HEX,HOLE,5X20,S	4	
1-14	0170440020	GASKET,CYLINDER	1	
1-15	04104050200	RING,PISTON	2	
1-16	0300440090	PISTON SET	1	Includes piston rings and circlips
1-17	0370100020	PIN,PISTON	1	
1-18	03905004200	CIRCLIP,PISTON PIN	2	
1-21	0460440080	CRANKSHAFT	1	
1-22	99962101004	BEARING,NEEDLE,F1010B	1	
1-31	06802000200	KEY,WOODRUFF,3X13X5	1	
1-44	56020517200	CAP,RUBBER	1	
1-45	1782054322	CORD,HIGH TENSION	1	
1-46	1672054391	COIL,IGNITION	1	
1-50	1790007080	STOP CORD,220MM	1	
1-56	99416040183	SCREW 4X18/WS	2	
1-59	1820186A201	WASHER,SPECIAL	2	
1-63	19805015800	CLAMP	1	



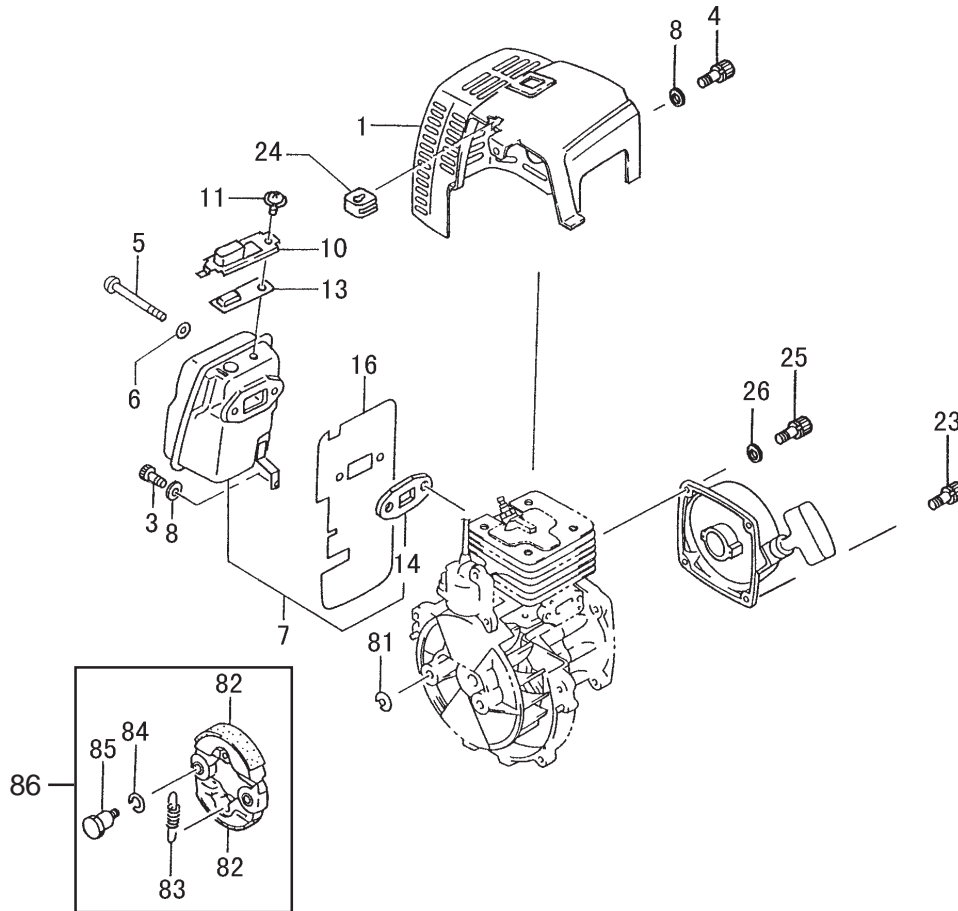
### CRANKCASE & FLYWHEEL • FIGURE 2

ITEM	PART NUMBER	DESCRIPTION	QTY	COMMENTS
2-9	99463050204	BOLT, HEX 5X20	1	
2-19	7880162V20	PAWL,STARTER	1	
2-20	99355050000	RING,STOP,5	1	
2-23	99111100013	NUT,10	1	
2-24	7900162V200	SPRING,PAWL,STARTER	1	
2-25	7980422090	PAWL,STARTER ASS'Y	1	
2-26	0720440091	CRANKCASE ASSY	1	Includes gasket, seals and bearings
2-27	0900440020	GASKET,CRANKCASE	1	
2-28	99966152564	SEAL,OIL,UD15257	2	
2-29	99961620200	BEARING,BALL,#6202	2	
2-32	07102007200	SHIM,15.2X20X.05	1	
2-32	07102007210	SHIM,15.2X20X.10	1	
2-32	07102007220	SHIM,15.2X20X.15	1	
2-32	07111600230	SHIM,16X21X.20	1	
2-32	07111600240	SHIM,16X21X.30	1	
2-36	99461050304	BOLT,HEX,5X30S	4	
2-51	1552053880	ROTOR,MAGNETO	1	
2-52	99201100011	WASHER,10	1	
2-54	99111100011	NUT,10	1	
2-55	99414050101	SCREW,S,5X10	1	
2-60	1320440020	DEFLECTOR,AIR	1	
2-66	1120441321	CASE,FAN,POLISHED	1	
2-67	99461050204	BOLT,HEX,HOLE,5X20,S	4	
2-69	20311660200	GROMMET,PRIMARY CORD	1	

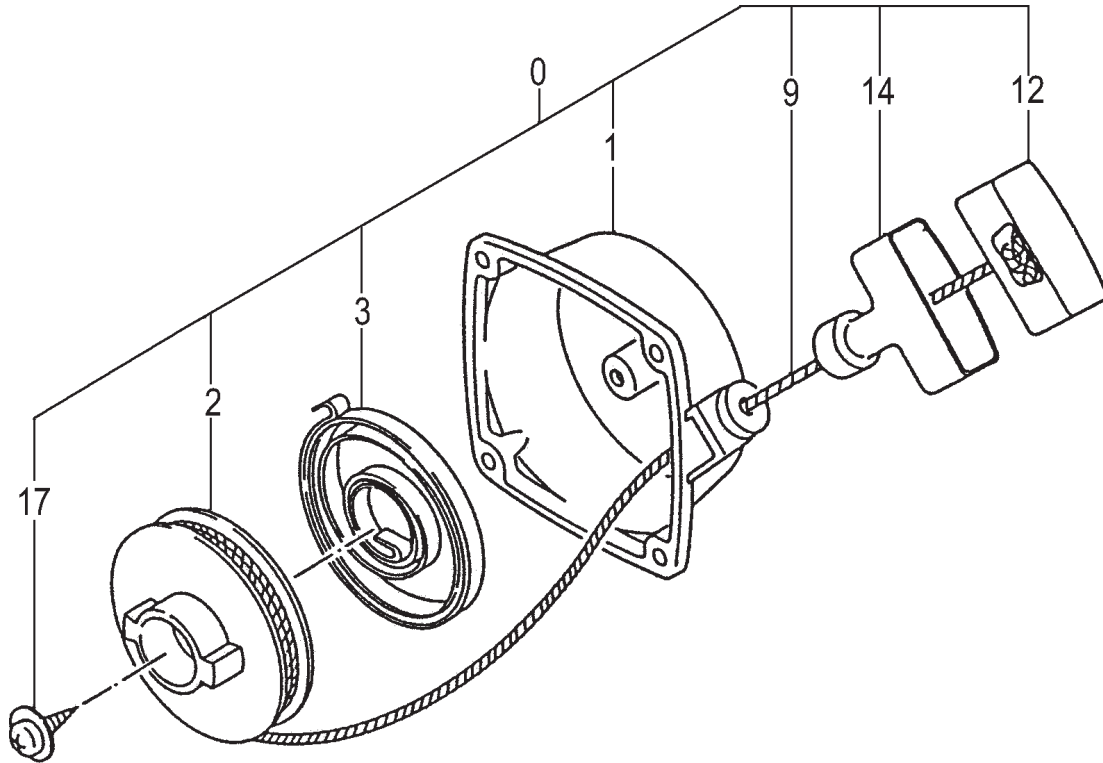


ITEM	PART NUMBER	DESCRIPTION	QTY	COMMENTS
3-31	4030430020	GASKET,INLET MANIFOLD	1	Includes gasket
3-32	4040430090	SET,CARB INSULATOR	1	
3-33	4020430020	GASKET,CARBURETOR	1	
3-34	4530637C200	COLLAR	1	
3-35	4700138020	COLLAR	1	
3-36	4230138082	BODY,CLEANER	1	
3-37	5280138021	VALVE,CHOKE	1	
3-38	47601700200	BOARD,BLOW OVER CHECK	1	
3-39	4460138021	FILTER,AIR	2	
3-40	99204080030	WASHER,8	1	
3-41	4520138091	COVER,CLEANER,ASSY	1	
3-42	3800637C200	BOLT,CLEANER COVER	1	
3-43	99011050602	SCREW,5X60	2	
3-44	99210050012	WASHER,S,5	2	
3-45	4550440090	SET,CARBURETOR	1	
3-46	78600601200	WASHER,RECOIL STARTER	2	
3-49	99464050254	BOLT,HEX HOLE,5X25WS	2	
3-62	6490168020	COLLAR,TANK FIXING	1	
3-63	22301251901	PIPE,FUEL,3X5X230	1	
3-64	68000731201	CLIP 6.3	1	
3-65	67501630900	FILTER,FUEL	1	
3-66	5910441321	TANK,WHITE,PF-4000	1	
3-68	6590430020	COLLAR,C	3	
3-70	5950656B90	CAP,FUEL BLACK,NON VENT	1	
3-73	6460661290	VALVE	1	
3-74	5650441020	PIPE,AIR VENT	1	
3-75	5640661190	VENT,AIR ASS'Y	1	
3-76	99463050204	BOLT, HEX 5X20	2	
3-77	9400430020	STAND,ENGINE	1	
3-78	7000300508	PIPE,FUEL,3X5X85	1	
3-80	22206300200	GROMMET,FUEL PIPE	1	
3-86	99461050304	BOLT,HEX,5X30S	1	
3-87	99201050061	WASHER,5	1	

### MUFFLER, CLUTCH & COVER • FIGURE 4

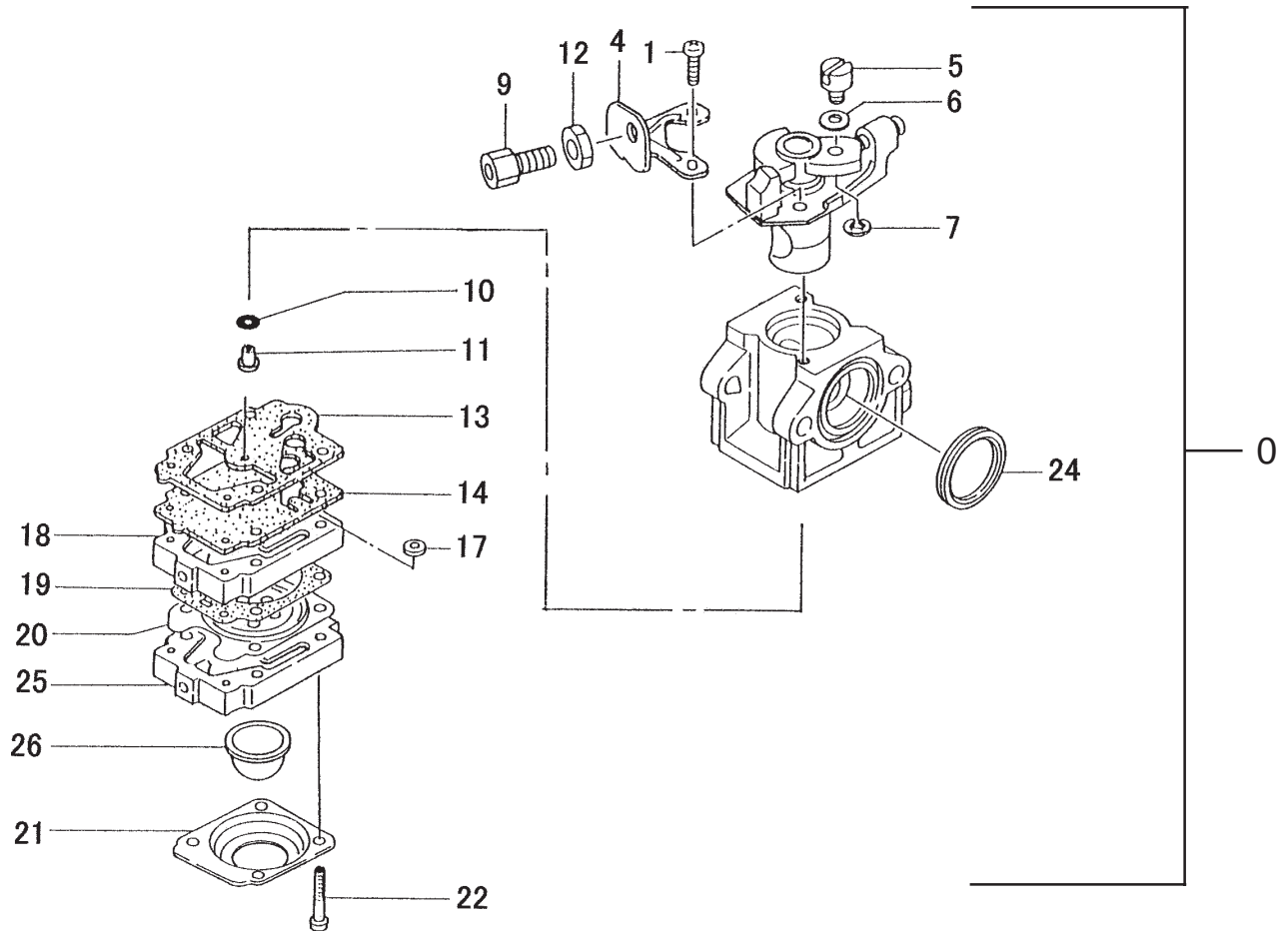


ITEM	PART NUMBER	DESCRIPTION	QTY	COMMENTS
4-1	7380440A21	PROTECTOR,MUFFLER	1	
4-3	99461050124	BOLT,HEX,5X12S	1	
4-5	99053060653	SCREW,HEX,6X65	2	
4-6	99201060011	WASHER,6	2	
4-7	7040440090	SET,MUFFLER	1	Includes gasket
4-8	99201050061	WASHER,5	1	
4-10	7210440020	PIPE,TAIL	1	
4-11	99434040081	SCREW,4X8/S	1	
4-13	7320440020	ARRESTER,SPARK	1	
4-14	73704230200	GASKET,MUFFLER	1	
4-16	1330440020	SHIELD,HEAT	1	
4-23	99463050204	BOLT, HEX 5X20	2	
4-24	2030604A202	GROMMET	1	
4-25	99461050254	BOLT,HEX HOLE,5X25S	2	
4-26	99201050061	WASHER,5	2	
4-81	35910112203	WASHER,CLUTCH B	2	
4-82	2900420081	SHOE,CLUTCH	2	
4-83	34204200200	SPRING,CLUTCH	1	
4-84	99204100030	WASHER,WAVE,10	2	
4-85	35704201200	BOLT,CLUTCH STEP	2	
4-86	30790	CLUTCH ASSY	1	

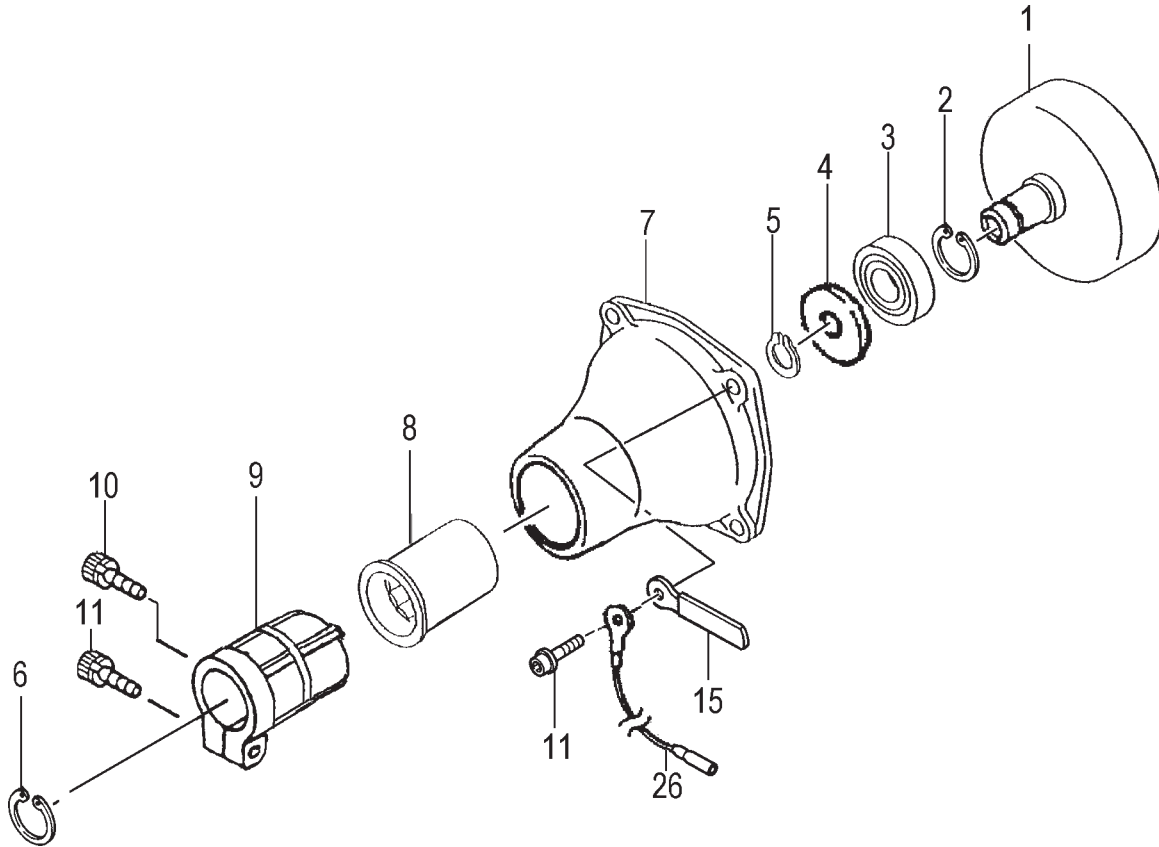


ITEM	PART NUMBER	DESCRIPTION	QTY	COMMENTS
5-0	7620422090	STARTER,RECOIL ASSY	1	
5-1	7720422080	BODY,RECOIL STARTER	1	
5-2	7690422020	REEL,STARTER ROPE	1	
5-3	7790422020	SPRING,RECOIL	1	
5-9	7830427020	ROPE,STARTER	1	
5-12	8350422020	CAP,HANDLE	1	
5-14	7850422020	HANDLE,STARTER	1	
5-17	8390422020	SCREW,SET	1	

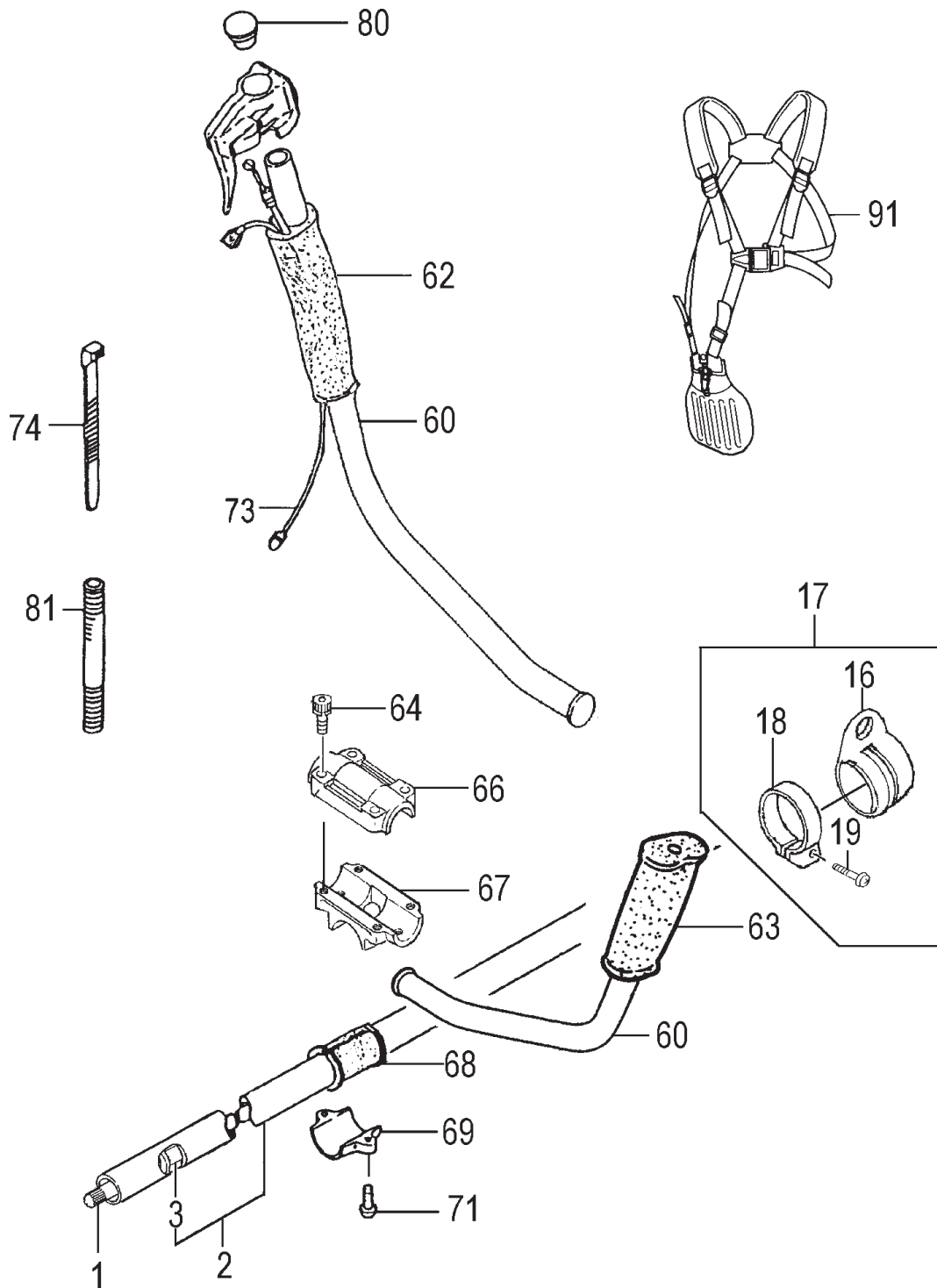




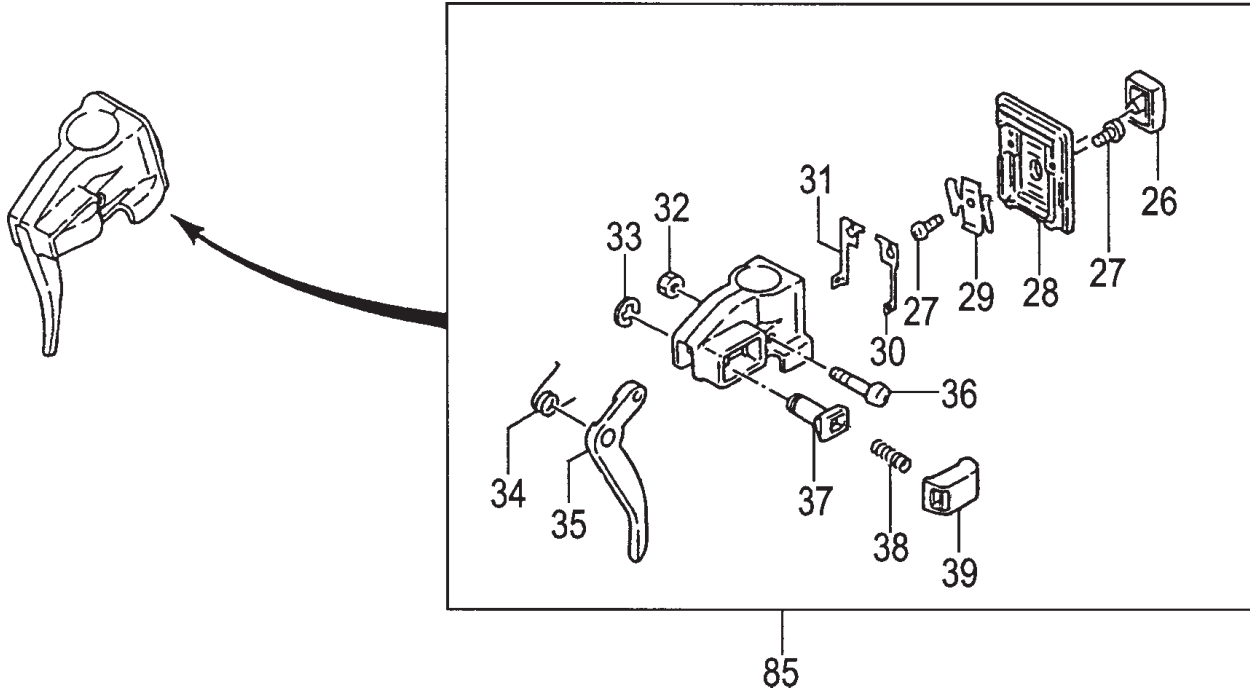
ITEM	PART NUMBER	DESCRIPTION	QTY	COMMENTS
6-0	4550440090	CARBURETOR SET	1	Includes gasket
6-1	51425100200	SCREW, THROTTLE SET	2	
6-4	54425164200	STAY, ADJUST, CABLE	1	
6-5	53925120200	SWIVEL	1	
6-6	5492516520	WASHER, THRUST	1	
6-7	48925100200	RING, STOP	1	
6-9	61425137200	ADJUSTER, CABLE	1	
6-10	55025100200	O-RING	1	
6-11	5992001W440	MAIN JET #44	1	
6-12	99101060013	NUT, 6	1	
6-13	~ ~ ~	GASKET, PUMP	1	~ Contained in Carb Repair Kit P/N 650-25124-900 (Not available individually)
6-14	~ ~ ~	DIAPHRAGM, PUMP	1	
6-17	57825007200	SCREEN, INLET	1	
6-18	5752515380	BODY, PUMP	1	
6-19	~ ~ ~	GASKET, DIAPHRAGM	1	
6-20	~ ~ ~	DIAPHRAGM, METERING	1	
6-21	4762515120	COVER, DIAPHRAGM	1	
6-22	5482515120	SCREW, SET	4	
6-24	4310634C200	GASKET, CLEANER	1	
6-25	4422515180	PUMP, PRIMING	1	
6-26	44725108200	BULB, PRIMING	1	



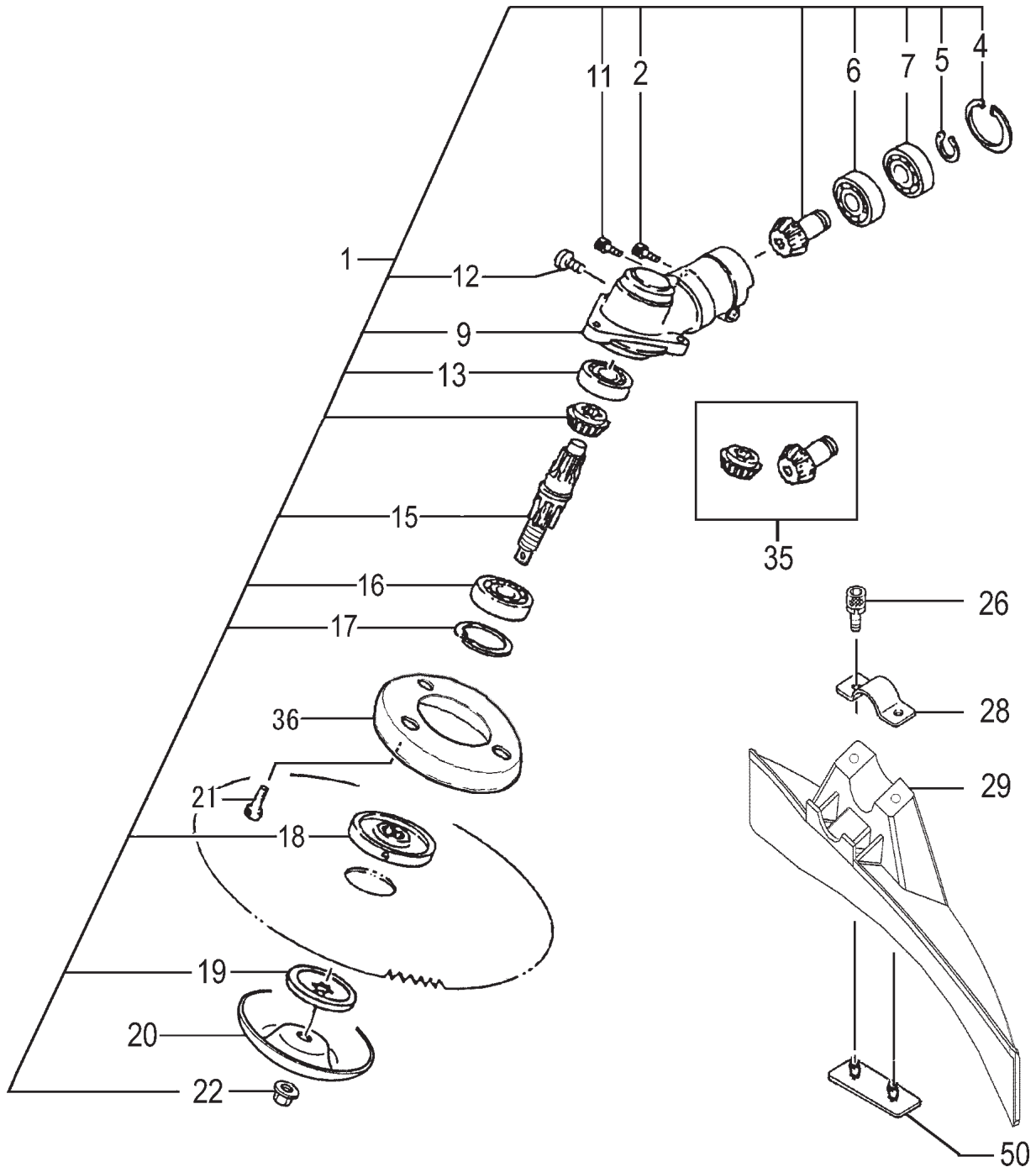
ITEM	PART NUMBER	DESCRIPTION	QTY	COMMENTS
7-1	2893749180	SHAFT,CLUTCH	1	
7-2	99351032002	RING,STOP,C-32 IN	1	
7-3	99961600201	BEARING,BALL,#6002ZZ	1	
7-4	3303749120	WASHER	1	
7-5	99350015002	RING,STOP,C-15 EX	1	
7-6	99353045002	RING,STOP,C-15,OUTER	1	
7-7	3313749120	CASE,CLUTCH	1	
7-8	5993749120	CUSHION	1	
7-9	3603749120	HOLDER,PIPE	1	
7-10	99436050101	SCREW,5X10WS	1	
7-11	99461060304	BOLT,HEX,6x30/S	5	
7-15	19805015800	CLAMP,CORD	1	
7-26	2743749180	CORD	1	



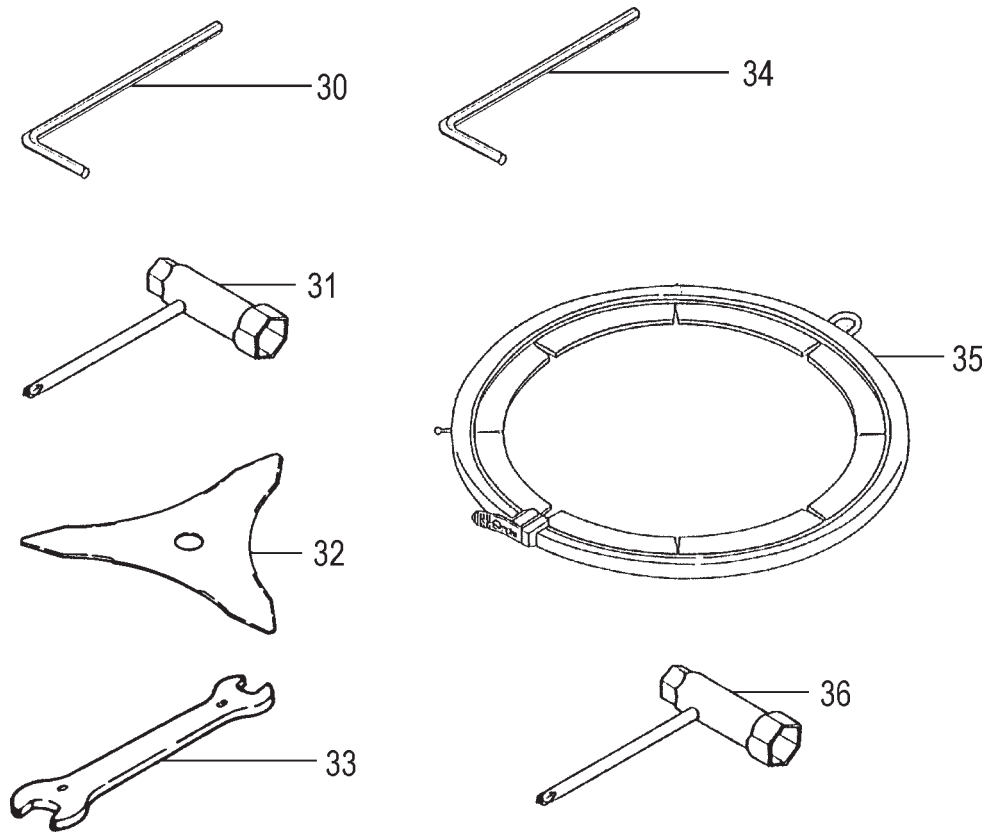
ITEM	PART NUMBER	DESCRIPTION	QTY	COMMENTS
8-1	3433749120	SHAFT,DRIVE	1	
8-2	3413785080	SHAFT,DRIVE	1	
8-3	3473785090	BUSHING ASS'Y	5	
8-16	3353836080	HANGER	1	
8-17	3353825390	RING,STRAP	1	
8-18	3373836080	HANGER BRACKET	1	
8-19	99416050252	SCREW,5X25WS	1	
8-60	5003749120	HANDLE,L & R	2	
8-62	5033754020	GRIP,RIGHT	1	
8-63	1653759020	GRIP,HANDLE	1	
8-64	99461050254	BOLT,HEX HOLE,5X25S	4	
8-65	5063844720	BRACKET,HANDLE,A	1	
8-66	5073844720	BRACKET,HANDLE,B	1	
8-68	5103749120	CUSHION	1	
8-69	5083844720	BRACKET,HANDLE,C	1	
8-71	99461050304	BOLT,HEX,5X30S	2	
8-73	17837108800	CORD,STOP	1	
8-74	1983385120	CLAMP,WIRE	2	
8-79	8853780580	WIRE,THROTTLE	1	
8-80	4993722520	GROMMET,PIPE	1	
8-81	1641007001	TUBE,PROTECTION,10x700	1	
8-91	746291	SHOULDER HARNESS ASSY	1	



ITEM	PART NUMBER	DESCRIPTION	QTY	COMMENTS
9-26	1623710120	SWITCH,STOP	1	
9-27	99342030081	SCREW,TAPPING,3X8	3	
9-28	25937101200	BASE,STOP SWITCH	1	
9-29	26237101200	SPRING,STOP SWITCH	1	
9-30	17737101200	TERMINAL,EARTH B	1	
9-31	17637101200	TERMINAL,EARTH A	1	
9-32	99186050000	NUT,LOCK,5	1	
9-33	99355060001	RING,STOP,6	1	
9-34	83237101200	SPRING,RETURN	1	
9-35	88037101200	LEVER,THROTTLE	1	
9-36	99431050251	SCREW,S.,5X25	1	
9-37	85337101200	SHAFT,LOCK BUTTON	1	
9-38	95837101200	SPRING,LOCK,BUTTON	1	
9-39	95637101200	BUTTON,LOCK	1	
9-85	87037101900	LEVER,THROTTLE ASS'Y	1	



ITEM	PART NUMBER	DESCRIPTION	QTY	COMMENTS
10-1	3003749190	GEAR CASE ASSY	1	
10-2	99422060301	BOLT,6x30PS	1	
10-3	99351026002	RING,STOP,IN,C-26	1	
10-5	99350010002	RING,STOP,C-10 EX	1	
10-6	99961600000	BEARING,BALL,#6000	1	
10-7	99961600002	BEARING,BALL,#6000Z	1	
10-9	3003749120	GEAR CASE	1	
10-11	99415050121	SCREW,5X12/PS	1	
10-12	99021060080	BOLT,6x8	1	
10-13	99961629000	BEARING,BALL,#629	1	
10-14	3043330M20	SHAFT,GEAR	1	
10-16	99961620104	BEARING,BALL,#6201DD	1	
10-17	99351032002	RING,STOP,C-32 IN	1	
10-18	3103330M20	HOLDER,CUTTER	1	
10-19	3113330M20	CAP,CUTTER HOLDER	1	
10-20	3083330M20	COVER,PROTECTION	1	
10-21	99424050101	BOLT,5x10S	3	
10-22	3133330M20	FIXING NUT	1	
10-26	99481060254	SCREW,HEX HOLE 6X25	2	
10-28	4423825320	BRACKET,COVER	1	
10-29	4413825320	GUARD,SAFETY	1	
10-35	3013749100	GEAR-PINION SET	1	
10-36	3033330M20	COVER,GEAR CASE	1	
10-50	4453825320	HOLDER,SAFETY GUARD	1	



ITEM	PART NUMBER	DESCRIPTION	QTY	COMMENTS
11-30	8132901460	WRENCH,HEX 14	1	
11-32	8103749120	BLADE,10x3 TOOTH	1	
11-33	8012937491	SPANNER,8x10	1	
11-34	8142937491	WRENCH,HEX,5	1	
11-35	6153749120	COVER,CUTTER	1	
11-36	8262937491	WRENCH,COMBI,17x19	1	





ITEM	PART NUMBER	DESCRIPTION	QTY	COMMENTS
12-2	92337400200	DECAL	1	

## Free Manuals Download Website

<http://myh66.com>

<http://usermanuals.us>

<http://www.somanuals.com>

<http://www.4manuals.cc>

<http://www.manual-lib.com>

<http://www.404manual.com>

<http://www.luxmanual.com>

<http://aubethermostatmanual.com>

Golf course search by state

<http://golfingnear.com>

Email search by domain

<http://emailbydomain.com>

Auto manuals search

<http://auto.somanuals.com>

TV manuals search

<http://tv.somanuals.com>