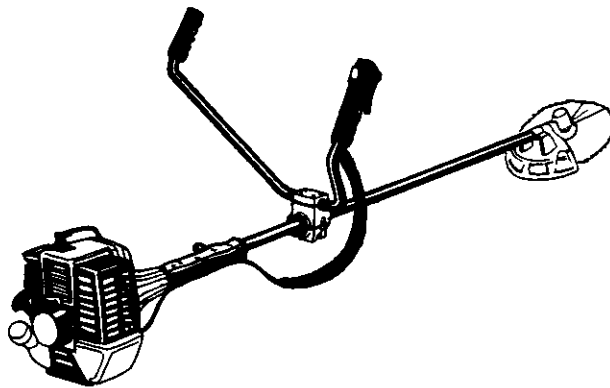


Tanaka

Parts Catalog



Brush Cutter

Model: TBC-422

Part # 10960 03-10-98

TBC-422

OPTIONS AND ACCESSORIES

NYLON LINE



- 746157 .105, Box, 50 ft.
- 746161 .105, 1/2 lb. Box, 110 ft
- 746162 .130, 1/2 lb. Box, 75ft.
- 746166 .105, 1 lb. Box, 235 ft.
- 746167 .130, 1 lb. Box, 150 ft.
- 746170 .105, 3 lb. spool, 705 ft.
- 746171 .130, 3 lb. spool, 450 ft.
- 746174 .105, 5 lb. spool, 1175 ft.
- 746175 .130, 5 lb. spool, 750 ft.

SEMI-AUTO HEAD



- 746153 PNH-180
- 746253 PNH-181

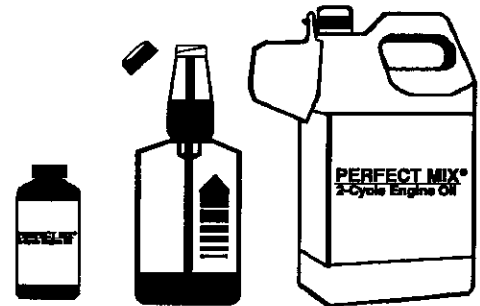
180 Parts List 181		
ET-1201	Body	27325
ET-1206	Cap	27324
ET-1225	Adapter	27318
ET-1205	Spool	27323
ET-1207	Eyelet	
ET-1208	Spring	27319
ET-1209	Bump Disk	

ALUMINUM MANUAL HEAD



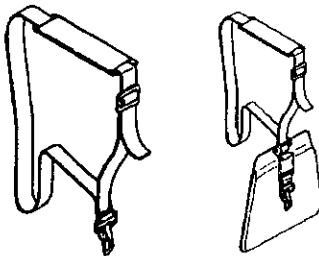
- PCH-100 (746180)
- PCH-300 (746190)

PERFECT MIX® 2-Cycle Engine Oil



- 700109 2.8 oz. Bottle, 1 Gallon Size (24*)
- 700108 16 oz. Self-measuring Bottle (24*)
- 700110 1 Gallon Jug Commercial Size (6*)
- * Case Quantity

SHOULDER STRAPS



PSS-175

SS-250

BLADES



- 746105 Weed Blade, 10"X4T
- 746106 Weed Blade, 10"X8T
- 746108 Saw Blade, 10"X80T
- 746192 Carbide Blade, 9"X36T

MANUALS / CATALOGS

- 00131 Owner's Manual
- 10960 Parts Catalog

SPECIAL TOOLS

- | | | | |
|---------------|--------------------|---------------|-----------------|
| 006-29326-000 | Flywheel Remover | 020-29371-140 | Coil gap guage |
| 009-29326-000 | Piston Pin Remover | 001-29000-000 | Tachometer |
| 015-29371-000 | Gear Shaft Remover | 070-2000W-500 | Pressure Tester |
| 016-29371-000 | Pinion Remover | 070-2000W-501 | Carb. Tool Kit |

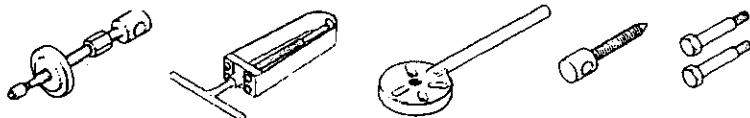


FIG.1 ENGINE

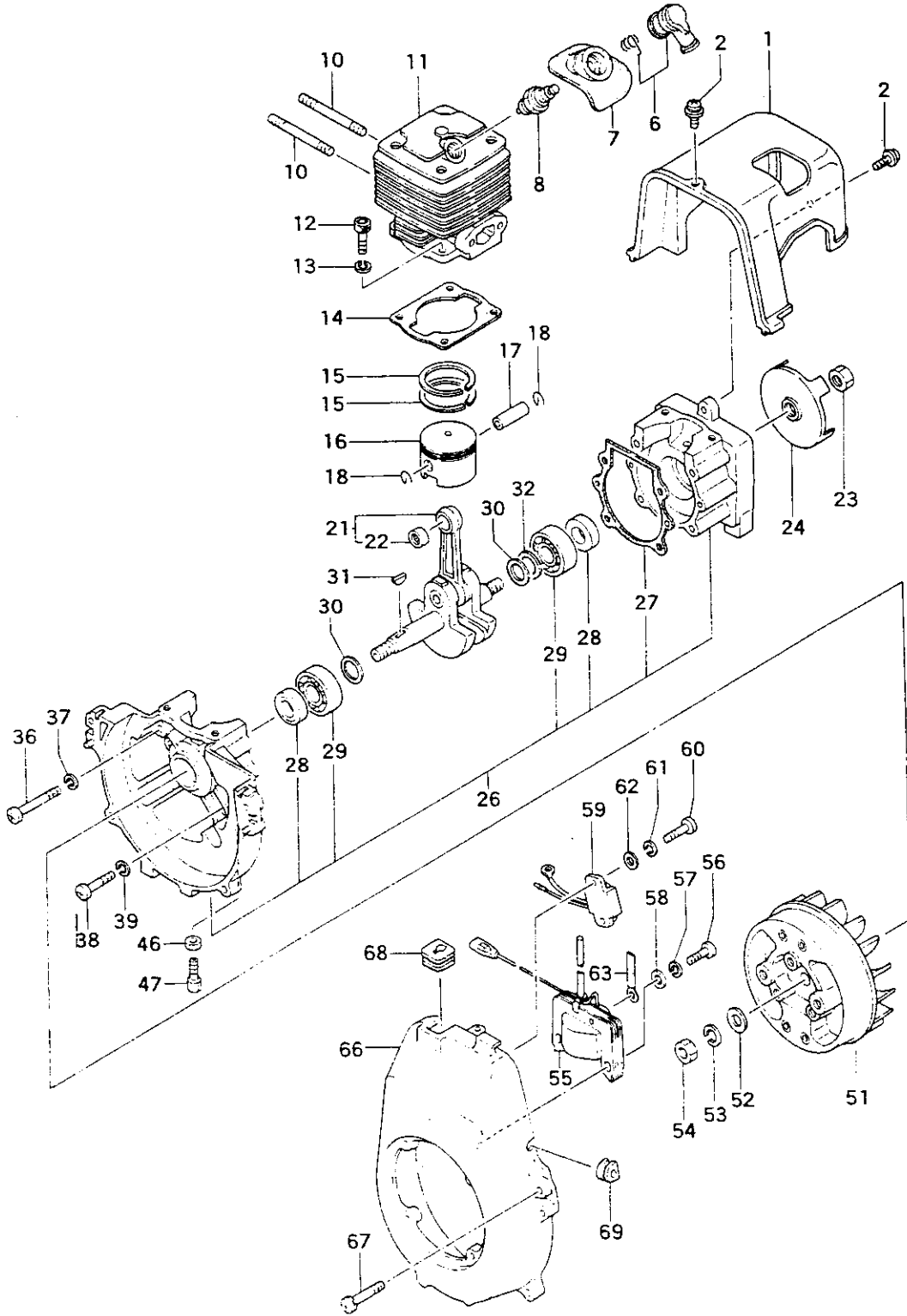


FIGURE 1

TBC-422 PARTS LISTING

REF.	PART NO.	PART DESCRIPTION	Q	C	S	SERIAL NO	REMARKS
1	016-04200-210	COVER,CYLINDER	1		D		
2	994-15050-122	SCREW,5X12/PS	2		C		
6	157-11666-900	CAP,SPARK PLUG ASS'Y	1		C		
7	255-04200-200	COVER,SPARK PLUG,RUBBER	1		C		
8	018-01805-200	PLUG,SPARK	1		B		
10	100-01300-202	BOLT,STUD 6X9	2		D		
11	002-04200-200	CYLINDER	1		C		
12	990-51050-183	BOLT,HEX,5X18	4		D		
13	992-10050-062	WASHER,S,5	4		D		
14	017-04200-200	GASKET,CYLINDER	1		C		
15	041-04050-200	RING,PISTON	2		A		
16	031-04200-201	PISTON	1		C		
17	037-01000-20	PIN,PISTON	1		D		
18	039-05004-200	CIRCLIP,PISTON PIN	2		B		
21	046-04200-80	CRANKSHAFT	1		D		
22	999-62101-004	BEARING,NEEDLE,F1010B	1		B		
23	991-11100-013	NUT,10	1		C		
24	798-05008-200	PULLEY,STARTER	1		D		
26	072-04200-900	CRANKCASE,ASS'Y	1		D		Includes bearings, seals & gasket
27	090-04200-210	GASKET,CRANKCASE	1		D		
28	999-66152-511	SEAL,OIL,#VE15X25X7	2		A		
29	999-61620-200	BEARING,BALL,#6202	2		B		
30	070-02401-201	WASHER,CRANKSHAFT 15X22	2		D		
31	068-10100-200	KEY,WOODRUFF,3X13X4.5	1		C		
32	071-02007-200	SHIM,15.2X20X.05	V		D		
32	071-02007-210	SHIM,15.2X20X.10	V		D		
32	071-02007-220	SHIM,15.2X20X.15	V		D		
32	071-11600-230	SHIM,16X21X.20	V		D		
32	071-11600-240	SHIM,16X21X.30	V		D		
36	990-11060-451	SCREW,6X45	2		D		Shims are "as needed" to obtain correct c/s side clearance.
37	992-10060-012	WASHER,S,6	2		A		
38	990-11060-301	SCREW,6X30	2		D		
39	992-10060-012	WASHER,S,6	2		A		
46	991-01060-013	NUT,6	1		B		
47	894-01401-201	RECEIVER,OUTER	1		B		
51	155-20520-80	ROTOR,MAGNETO	1		D		
52	992-00100-011	WASHER,10	1		D		
53	992-10100-012	WASHER,S,10	1		B		

* Indicates the part is included in a kit or assembly and is not available individually. Q=Quan. used
 C=Interchangeability S=Stocking code: A-Fast moving B=Med. fast C=Med. move D=Slow move
 E=N.L.A. F=Supersceded or replaced by a new part

FIGURE 1 cont.

TBC-422 PARTS LISTING

REF.	PART NO.	PART DESCRIPTION	Q	C	S	SERIAL NO.	REMARKS
54	991-11100-011	NUT,10	1		C		
55	167-20505-800	COIL,IGNITION	1		C		
56	990-11050-181	SCREW,5X18	3		B		
57	992-10050-012	WASHER,S,5	3		A		
58	992-01050-011	WASHER,5	3		A		
59	159-20505-800	IGNITOR	1		C		
60	990-11050-141	SCREW,5X14	2		D		
61	992-10050-012	WASHER,S,5	2		A		
62	992-01050-011	WASHER,5	2		A		
63	198-05015-800	CLAMP,CORD	1		C		
66	112-04202-201	CASE,FAN	1		D		
67	994-14060-202	SCREW,6X20S	4		D		
68	203-0604A-202	GROMMET	1		C		
69	203-06000-200	GROMMET,PRIMARY CORD	1		C		

* Indicates the part is included in a kit or assembly and is not available individually. Q=Quan. used
 C=Interchangeability S=Stocking code: A-Fast moving B=Med. fast C=Med. move D=Slow move
 E=N.L.A. F=Superceded or replaced by a new part

FIG.2 ENGINE COMPONENTS

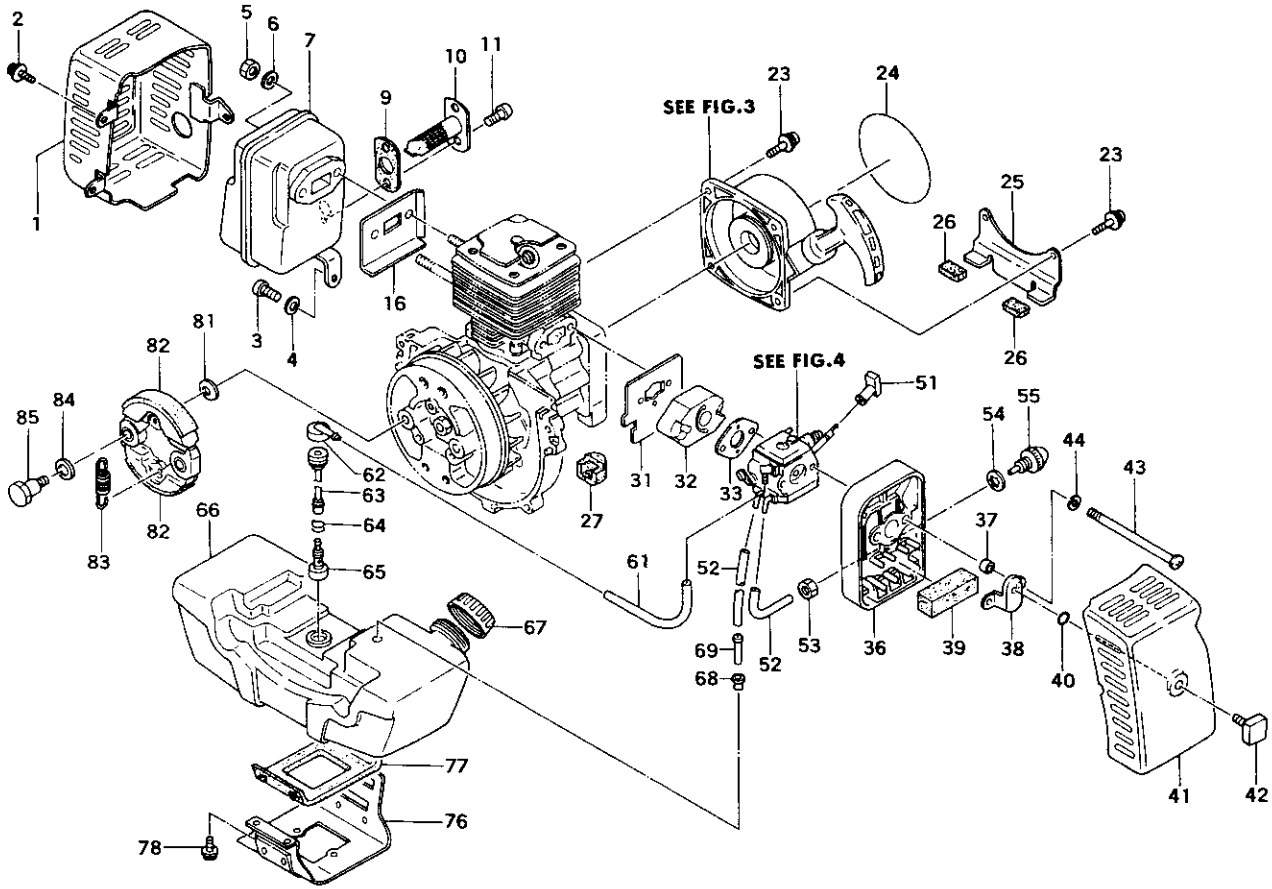


FIGURE 2

TBC-422 PARTS LISTING

REF.	PART NO.	PART DESCRIPTION	Q	C	S	SERIAL NO	REMARKS
1	738-04200-802	PROTECTOR,MUFFLER	1		C		
2	994-15050-102	SCREW,5X10/PS	2		C		
3	990-11050-121	SCREW,5X12	1		A		
4	992-01050-011	WASHER,5	1		A		
5	991-74060-010	NUT,6	2		D		
6	992-01060-011	WASHER,6	2		A		
7	706-04200-800	MUFFLER	1		D		
9	751-04200-201	GASKET,MUFFLER	1		C		
10	721-04201-800	PIPE,TAIL	1		C		
11	990-11040-101	SCREW,4X10	2		A		
16	133-04200-210	SHIELD,HEAT	1		C		
23	994-15050-182	SCREW,5X18/PS	4		C		
24	906-04201-200	DECAL	1		D		
25	653-04200-200	BRACKET,TANK	1		D		
26	655-06100-200	CUSHION,TANK	2		A		
27	655-04200-200	CUSHION,FUEL TANK	2		C		
31	403-04201-200	GASKET,INLET MANIFOLD	1		B		
32	404-04200-200	INSULATOR,CARBURETOR	1		C		
33	402-01740-20	GASKET,CARBURETOR	1		A		
36	423-04201-200	BODY,CLEANER	1		C		
37	659-00801-200	COLLAR,TANK HOLDING METAL	2		C		
38	476-04050-200	BOARD,CHECK,BLOW OVER	1		C		
39	446-04201-200	ELEMENT,CLEANER	1		B		
40	999-67003-000	O-RING,P3	1		C		
41	424-04200-210	CAP,CLEANER	1		C		
42	175-32530-800	KNOB,CLEANER	1		C		
43	990-11050-751	SCREW,5X75	2		C		
44	992-10050-012	WASHER,S,5	2		A		
51	495-04200-200	LEVER,CHOKE	1		A		
52	700-02004-090	PIPE,FUEL	2		B		
53	991-11100-011	NUT,10	1		C		
54	992-20100-010	WASHER,10 INNER TOOTHED	1		D		
55	422-25030-800	PUMP,PRIMING	1		C		
61	700-03005-150	PIPE,FUEL,3X5X150	1		C		
62	500-33202-205	CAP,RUBBER PIPE	1		A		
63	678-0602W-200	PIPE,RUBBER	1		C		
64	680-04019-210	CLIP,7	1		B		
65	675-04200-900	FILTER,FUEL	1		C		
66	591-04200-210	TANK	1		D		

* Indicates the part is included in a kit or assembly and is not available individually. Q=Quan. used
 C=Interchangeability S=Stocking code: A=Fast moving B=Med. fast C=Med. move D=Slow move
 E=N.L.A. F=Superceded or replaced by a new part

FIGURE 2 cont.

TBC-422 PARTS LISTING

REF.	PART NO.	PART DESCRIPTION	Q	C	S	SERIAL NO	REMARKS
67	595-0650A-90	CAP,TANK	1		A		
68	532-04200-200	PIPE,RETURN A	1		C		
69	669-04001-200	BANJO,PUMP	1		C		
76	603-04201-200	BAND,HOLDING,TANK	1		C		
77	652-04201-200	CUSHION	1		C		
78	994-15050-162	SCREW,5X16/PS	2		C		
81	359-10112-203	WASHER,CLUTCH B	2		A		
82	290-04200-80	SHOE,CLUTCH	2		B		
83	342-04200-200	SPRING,CLUTCH	1		B		
84	358-10112-201	WASHER,CLUTCH	2		A		
85	357-04201-200	BOLT,CLUTCH STEP	2		B		

* Indicates the part is included in a kit or assembly and is not available individually. Q=Quan. used
 C=Interchangeability S=Stocking code: A-Fast moving B=Med. fast C=Med. move D=Slow move
 E=N.L.A. F=Superceded or replaced by a new part

FIG.3 RECOIL STARTER

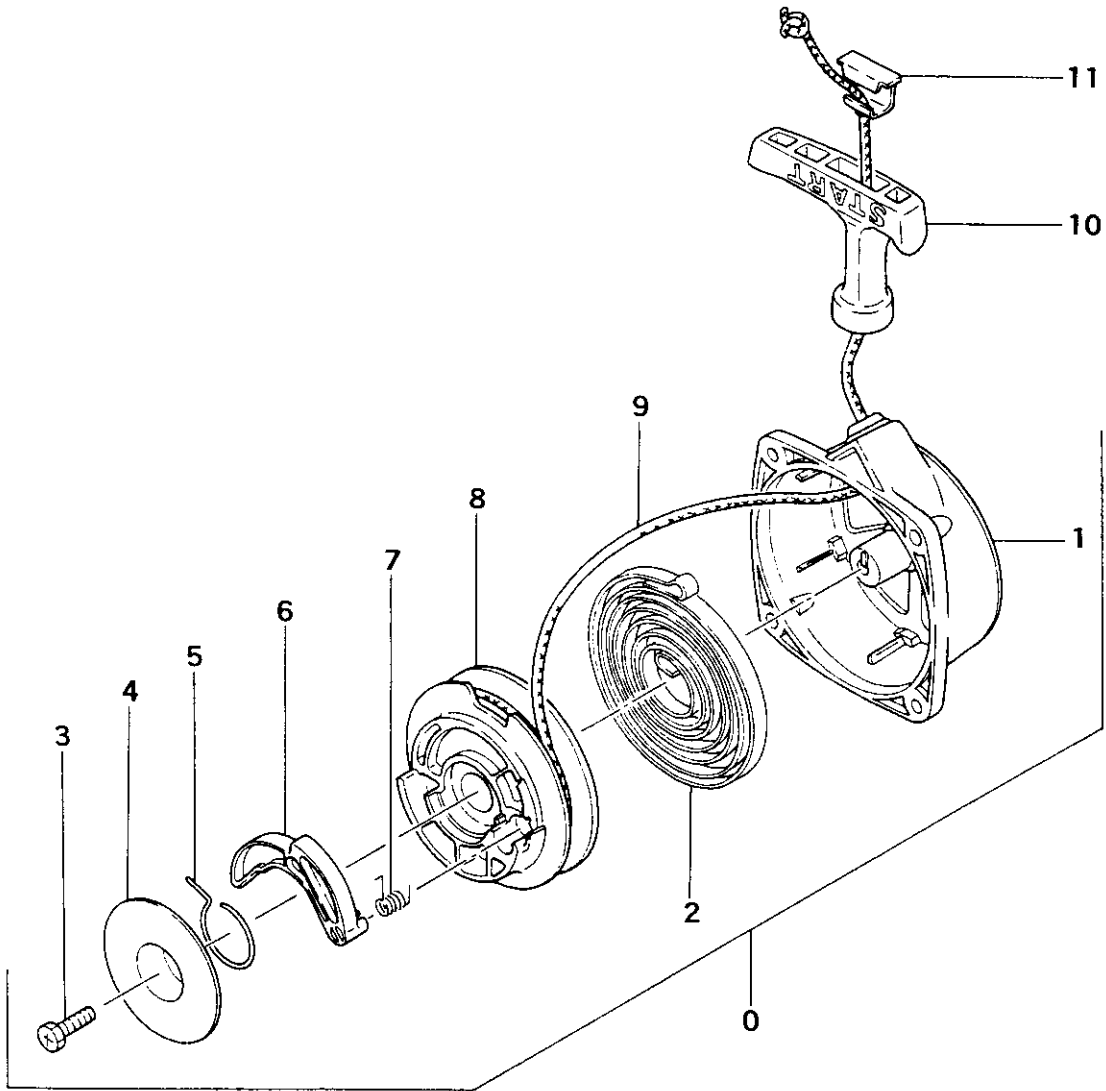


FIGURE 3**TBC-422 PARTS LISTING**

REF.	PART NO.	PART DESCRIPTION	Q	C	S	SERIAL NO	REMARKS
0	762-05015-91	STARTER, RECOIL ASSY	1		B		
1	772-05004-800	BODY, RECOIL STARTER	1		D		
2	779-05004-200	SPRING, RECOIL	1		C		
3	839-05004-200	BOLT, SET	1		D		
4	837-05004-201	PLATE, FRICTION	1		D		
5	836-05004-200	SPRING, FRICTION	1		D		
6	788-05004-201	PAWL, STARTER	1		D		
7	832-05004-200	SPRING, RETURN	1		D		
8	769-05004-200	PULLEY, STARTER	1		D		
9	783-05004-200	ROPE, STARTER, 3.8X1070	1		D		
10	785-04220-20	HANDLE, STARTER	1		C		
11	815-06000-200	METAL, STARTER HANDLE	1		D		

* Indicates the part is included in a kit or assembly and is not available individually. Q=Quan. used
C=Interchangeability S=Stocking code: A=Fast moving B=Med. fast C=Med. move D=Slow move
E=N.L.A. F=Superseded or replaced by a new part

FIG.4 CARBURETOR

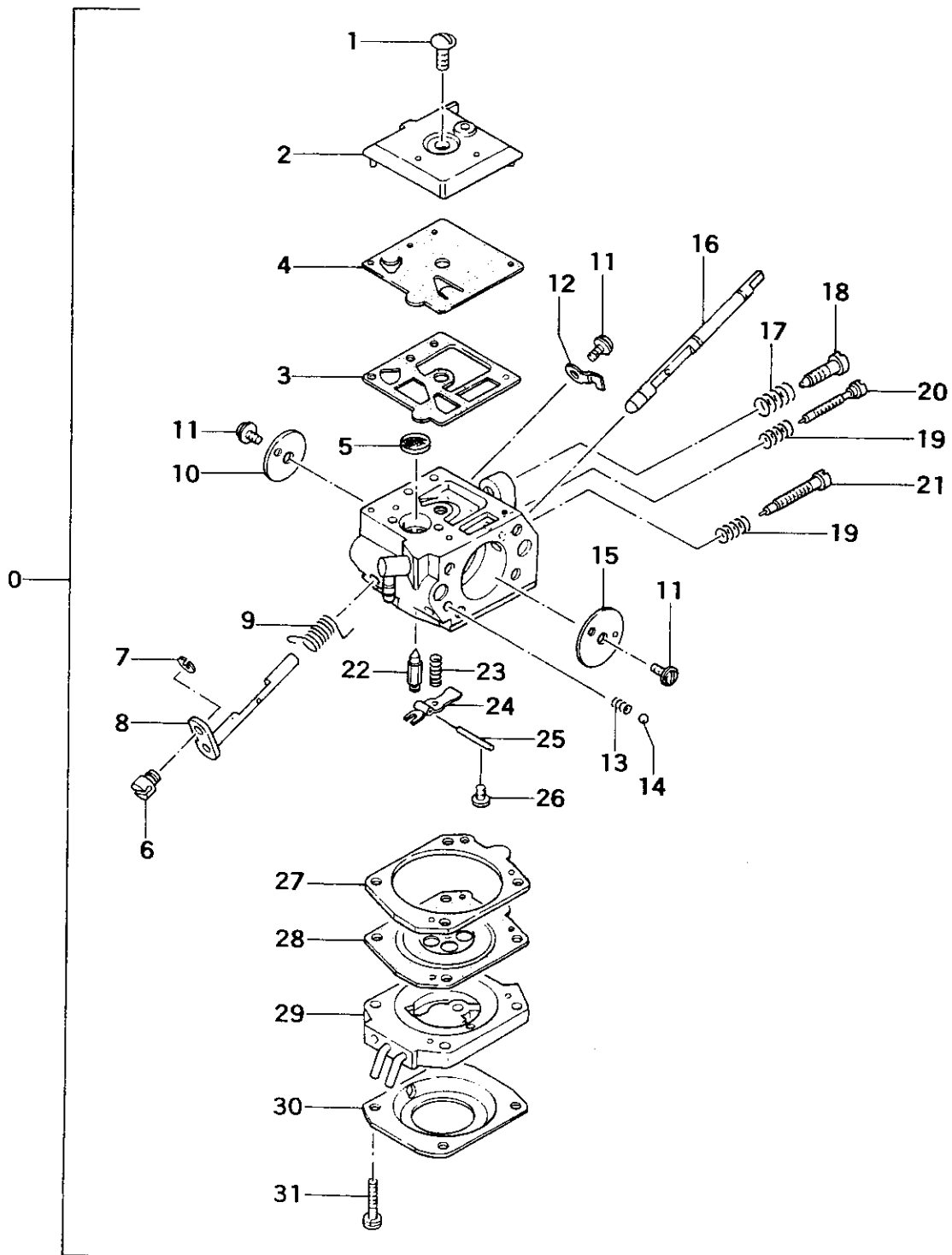


FIGURE 4

TBC-422 PARTS LISTING

REF.	PART NO.	PART DESCRIPTION	Q	C	S	SERIAL NO	REMARKS
0	455-25032-900	CARBURETOR,ASS'Y	1		C		
1	514-25001-200	SCREW,SET	1		D		
2	575-25012-200	BODY,PUMP	1		D		
3	~	*DIAPHRAGM,PUMP	1		C		* Included in Carb Repair Kit 650-25012-910 (Not available individually)
4	~	*GASKET,PUMP	1		C		
5	~	*SCREEN,INLET	1		C		
6	539-25101-200	SWIVEL	1		D		
7	489-25008-200	RING,STOP	1		C		
8	464-25032-800	SHAFT,THROTTLE	1		D		
9	486-25032-200	SPRING,THROTTLE	1		C		
10	488-25001-200	VALVE,THROTTLE	1		C		
11	467-25003-200	SCREW,SHUTTER	3		C		
12	559-25012-200	PLATE,STOP	1		D		
13	496-25032-200	SPRING,CHOKE	1		C		
14	567-25032-200	BALL,STEEL	1		C		
15	493-25032-200	VALVE,CHOKE	1		C		
16	492-25032-200	SHAFT,CHOKE	1		C		
17	463-25032-200	SPRING,IDLE ADJUST	1		D		
18	462-25032-200	SCREW,IDLE ADJUST	1		D		
19	623-25032-200	SPRING,ADJUST,HI/LOW	2		D		
20	461-25032-200	SCREW,LOW ADJUST	1		D		
21	460-25032-200	SCREW,HIGH ADJUST	1		D		
22	~	*VALVE,NEEDLE	1		C		
23	477-25012-200	SPRING,VALVE	1		D		
24	~	*LEVER,CONTROL	1		D		
25	~	*PIN,HINGE	1		D		
26	546-25001-200	SCREW,SET,HINGE PIN	1		D		
27	~	*GASKET,DIAPHRAGM	1		C		
28	~	*DIAPHRAGM,METERING	1		C		
29	454-25032-800	PURGE,AIR	1		D		
30	476-25032-200	COVER,DIAPHRAGM	1		D		
31	548-25016-200	SCREW,SET	4		D		

* Indicates the part is included in a kit or assembly and is not available individually. Q=Quan. used
 C=Interchangeability S=Stocking code: A=Fast moving B=Med. fast C=Med. move D=Slow move
 E=N.L.A. F=Supersceded or replaced by a new part

FIG.5 CLUTCH CASE

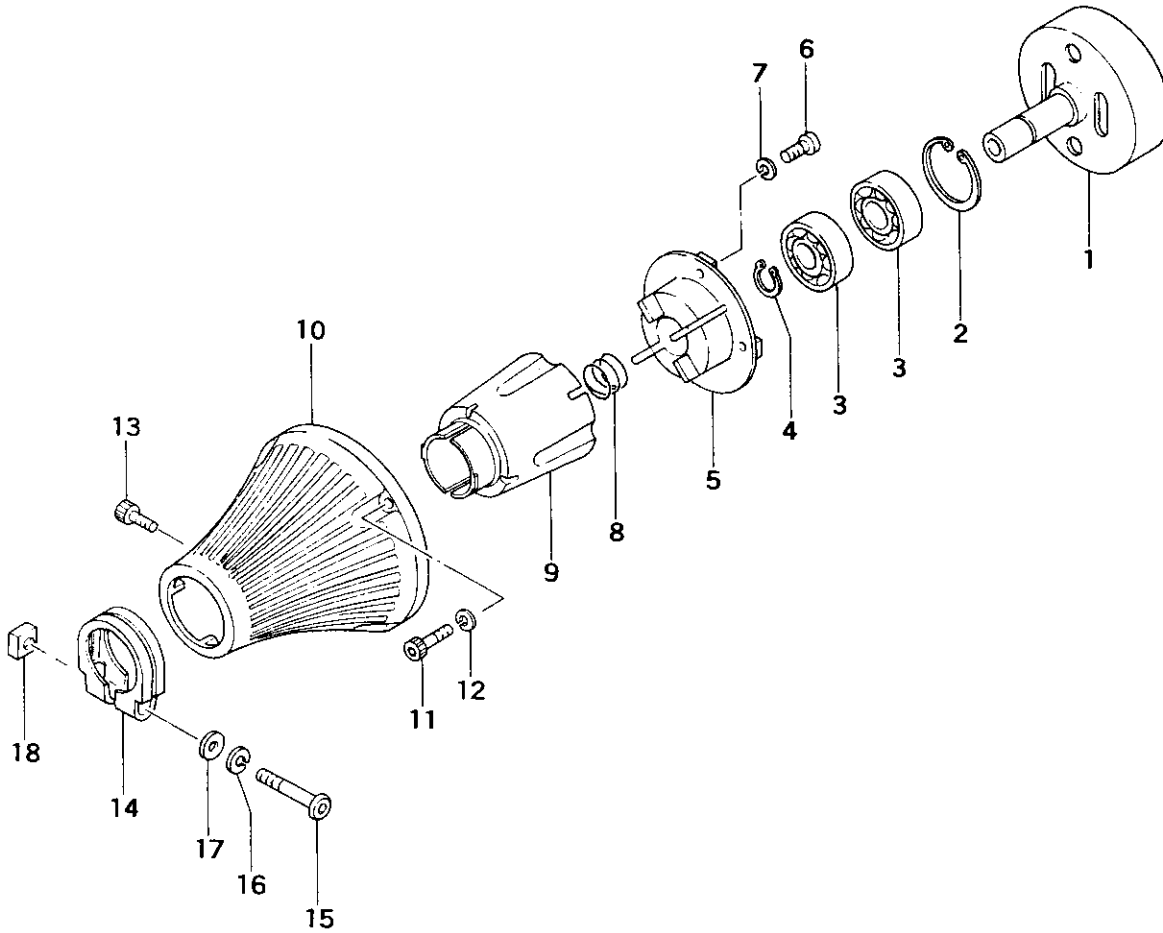


FIGURE 5**TBC-422 PARTS LISTING**

REF.	PART NO.	PART DESCRIPTION	Q	C	S	SERIAL NO	REMARKS
1	289-04205-801	DRUM,CLUTCH	1		C		
2	993-51035-002	RING,IN,C-35,STOP	1		C		
3	999-61620-201	BEARING,BALL,#6202ZZ	2		C		
4	993-50015-002	RING,STOP,C-15 EX	1		C		
5	347-04201-20	FLANGE,CLUTCH	1		C		
6	990-11050-161	SCREW,5X16	4		B		
6	990-11050-161	SCREW,5X16	4		B		
8	176-04201-200	TERMINAL,EARTH	1		D		
10	331-04201-200	CASE,CLUTCH	1		D		
12	992-10050-062	WASHER,S,5	4		D		
14	282-04201-200	HOLDER,PIPE	1		D		
16	992-10060-062	WASHER,S,6	1		A		
17	992-01060-061	WASHER,6	1		D		
18	991-91060-061	NUT,SQUARE,6	1		C		

* Indicates the part is included in a kit or assembly and is not available individually. Q=Quan. used
C=Interchangeability S=Stocking code: A-Fast moving B=Med. fast C=Med. move D=Slow move
E=N.L.A. F=Superceded or replaced by a new part

FIG.6 HANDLE

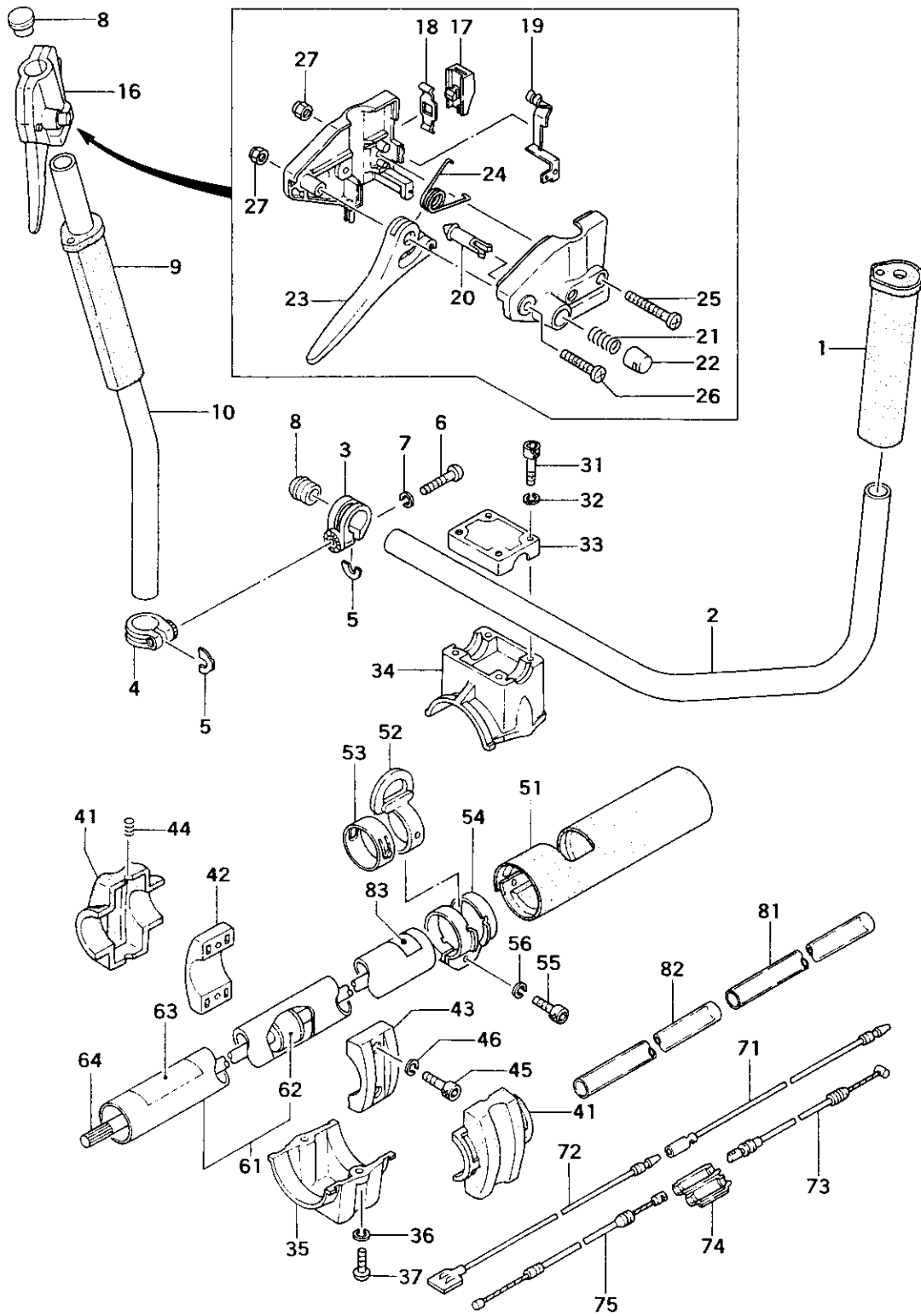


FIGURE 6

TBC-422 PARTS LISTING

REF.	PART NO.	PART DESCRIPTION	Q	C	S	SERIAL NO	REMARKS
1	165-33130-20	HANDLE,GRIP "A"	1		C		
2	502-37101-200	HANDLE,B,LEFT	1		D		
3	514-37100-202	HOLDER,HANDLE B	1		C		
4	513-37100-202	HOLDER,HANDLE,A	1		C		
5	516-37100-200	WASHER,HOLDER,HANDLE	2		D		
6	990-53060-503	SCREW,HEX,6X50	1		C		
7	992-10060-062	WASHER,S,6	1		A		
8	499-37100-200	GROMMET,PIPE	2		C		
9	503-37113-200	GRIP,HANDLE R	1		D		
10	501-37101-200	HANDLE,RIGHT B	1		D		
16	870-33005-901	LEVER,THROTTLE ASS'Y	1		C		
17	162-33564-210	SWITCH,STOP	1		D		
18	262-33564-200	SPRING,STOP SWITCH	1		D		
19	176-33564-200	TERMINAL,EARTH	1		D		
20	956-33564-200	BUTTON,LOCK A	1		C		
21	958-37101-200	SPRING,LOCK,BUTTON	1		D		
22	957-33564-200	BUTTON,LOCK,B	1		C		
23	880-33564-200	ARM,THROTTLE	1		D		
24	832-33564-200	SPRING,RETURN	1		D		
25	990-11050-301	SCREW,5X30	2		C		
26	994-31050-251	SCREW,S,.5X25	1		C		
27	991-86050-000	NUT,LOCK,5	3		D		
31	990-51050-183	BOLT,HEX,5X18	4		D		
32	992-10050-062	WASHER,S,5	4		D		
33	506-37100-201	BRACKET,HANDLE,A	1		D		
34	507-37100-200	BRACKET,HANDLE	1		C		
35	508-37100-200	BRACKET	1		D		
36	992-10060-062	WASHER,S,6	2		A		
37	990-53060-203	BOLT,HEX,6X20	2		C		
41	319-37100-200	CUSHION	2		D		
42	449-37100-202	LOCK,SHAFT B	1		D		
43	448-37100-202	LOCK,SHAFT A	1		D		
44	176-33576-200	TERMINAL,EARTH	1		D		
45	990-51050-183	BOLT,HEX,5X18	2		D		
46	992-10050-062	WASHER,S,5	2		D		
51	336-37100-800	PAD	1		C		
52	335-37101-200	BRACKET,STRAP	1		D		
53	334-37101-200	COLLAR,LIFTING METAL	1		D		
54	338-37101-800	STOPPER,STRAP SUPPORT	1		D		

* Indicates the part is included in a kit or assembly and is not available individually. Q=Quan. used
 C=Interchangeability S=Stocking code: A=Fast moving B=Med. fast C=Med. move D=Slow move
 E=N.L.A. F=Superseded or replaced by a new part

FIGURE 6 cont.

TBC-422 PARTS LISTING

REF.	PART NO.	PART DESCRIPTION	Q	C	S	SERIAL NO	REMARKS
55	990-51050-123	BOLT,HEX,5X12	1		C		
56	992-10050-062	WASHER,S,5	1		D		
61	341-37101-80	PIPE,DRIVE SHAFT	1		C		
62	347-37100-90	BUSHING ASS'Y	5		D		
63	929-33576-201	DECAL,SYMBOL	1		D		
64	343-37121-20	SHAFT,DRIVE	1		D		
71	178-04201-800	CORD,STOP	1		D		
72	178-37100-800	CORD,STOP	1		B		
73	885-04201-801	WIRE,THROTTLE	1		B		
74	888-33340-200	CASE,CONNECTOR	1		B		
75	885-37100-801	WIRE,THROTTLE	1		B		
81	279-11021-005	VINYL,PROTECTION,L-210	1		D		
82	279-11046-005	VINYL,PROTECTION,L-460	1		D		

* Indicates the part is included in a kit or assembly and is not available individually. Q=Quan. used
 C=Interchangeability S=Stocking code: A=Fast moving B=Med. fast C=Med. move D=Slow move
 E=N.L.A. F=Superceded or replaced by a new part

FIG.7 GEAR CASE

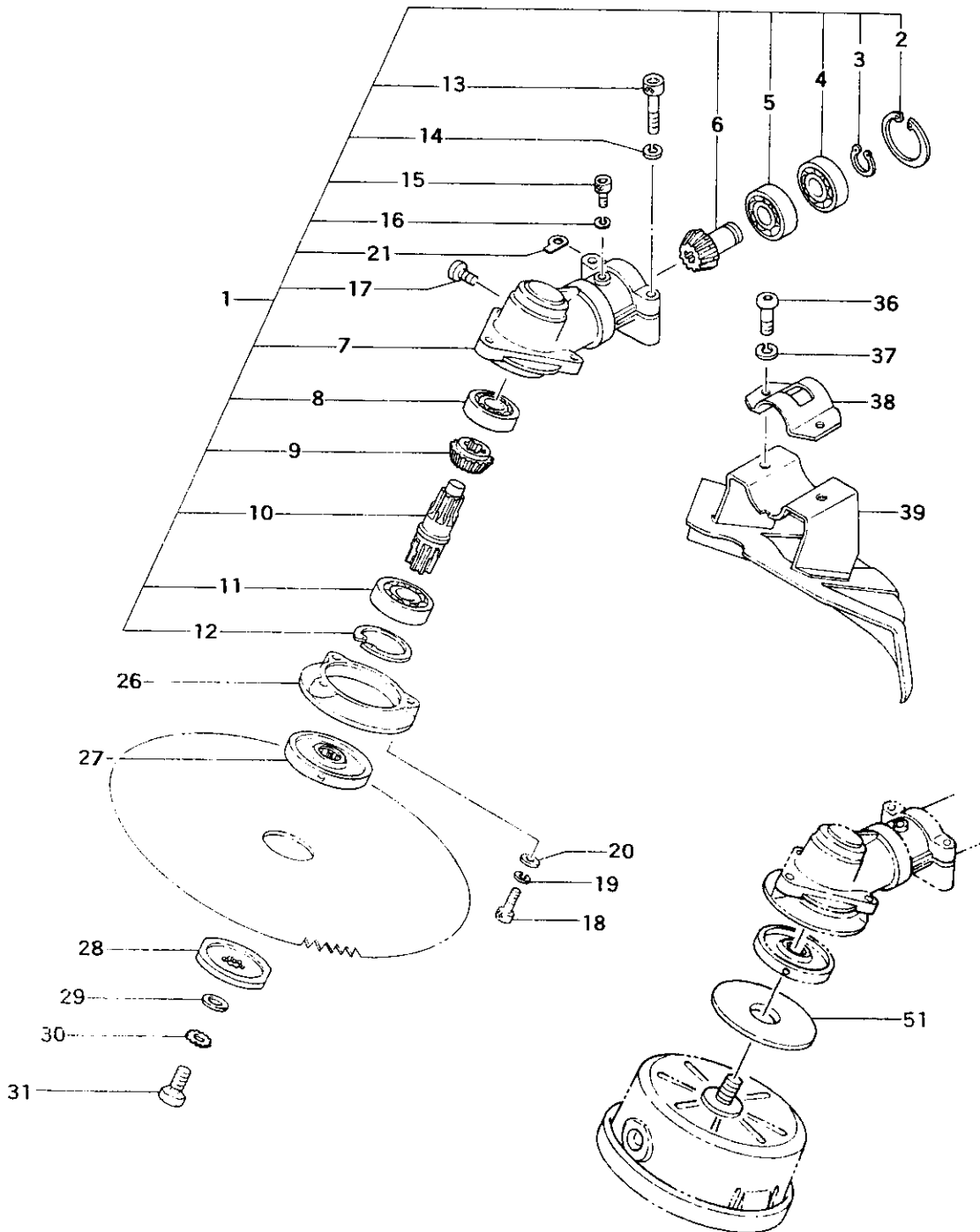


FIGURE 7

TBC-422 PARTS LISTING

REF.	PART NO.	PART DESCRIPTION	Q	C	S	SERIAL NO	REMARKS
1	300-37100-91	CASE,GEAR,ASS'Y	1		C		
2	993-51028-002	RING,STOP,IN,C-28	1		C		
3	993-50012-002	RING,STOP,C-12 EX	1		A		
4	999-61600-103	BEARING,BALL,#6001D	1		A		
5	999-61600-100	BEARING,BALL,#6001	1		B		
6	302-37101-200	PINION	1		C		
7	300-37100-21	CASE,GEAR	1		C		
8	999-61600-000	BEARING,BALL,#6000	1		C		
9	301-37100-200	GEAR	1		C		
10	304-37100-20	SHAFT,GEAR	1		D		
11	999-61620-303	BEARING,BALL,#6203D	1		C		
12	993-51040-002	RING,STOP,C40	1		C		
13	990-51050-223	BOLT,HEX,5X22	2		C		
14	992-10050-062	WASHER,S,5	2		D		
15	990-51050-083	BOLT,HEX.HOLE,5X8	1		C		
16	992-10050-062	WASHER,S,5	1		D		
17	990-14080-104	SCREW,8X10	1		A		
18	990-51050-153	BOLT,HEX.HOLE,5X15	3		C		
19	992-10050-062	WASHER,S,5	3		D		
20	992-01050-061	WASHER,5	3		D		
21	324-37110-200	WASHER,GEAR CASE	2		D		
26	307-37100-800	COVER, PROTECTION	1		C		
27	310-37100-20	HOLDER,CUTTER	1		B		
28	311-33411-201	CAP,CUTTER HOLDER	1		B		
29	992-01080-011	WASHER,8	1		A		
30	992-29080-000	WASHER,TOOTHED LOCK,8	1		B		
31	312-33411-200	BOLT,CUTTER FIXING (LEFT)	1		A		
36	990-53060-153	BOLT,HEX,6X15	2		B		
37	992-10060-062	WASHER,S,6	2		A		
38	442-37100-200	BRACKET,SAFETY GUARD	1		C		
39	441-37100-80	GUARD,SAFETY	1		C		
51	320-33670-200	SPACER	1		D		

* Indicates the part is included in a kit or assembly and is not available individually. Q=Quan. used
 C=Interchangeability S=Stocking code: A-Fast moving B=Med. fast C=Med. move D=Slow move
 E=N.L.A. F=Superceded or replaced by a new part

FIG.8 TOOLS & OPTIONAL PARTS

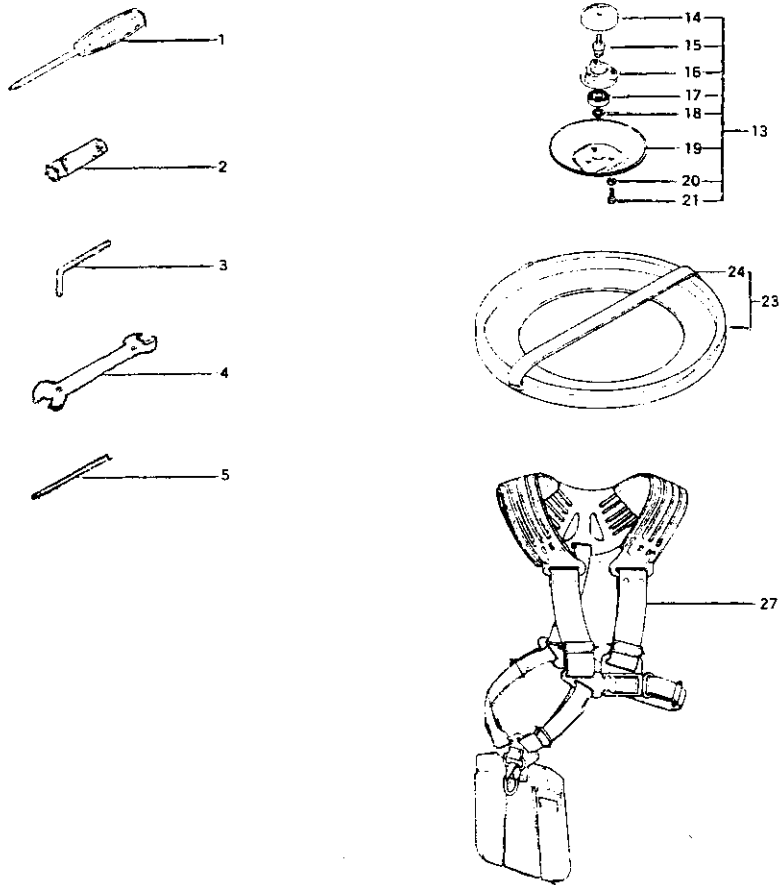


FIGURE 8

TBC-422 PARTS LISTING

REF.	PART NO.	PART DESCRIPTION	Q	C	S	SERIAL NO	REMARKS
1	862-20000-200	SCREW DRIVER,PHILLIPS	1		D		
2	826-20000-200	SPANNER,BOX,17X19	1		D		
3	813-20000-200	WRENCH,HEX,4	1		D		
4	808-20000-200	SPANNER,10X13	1		D		
5	752-37100-200	BAR,LOCKING	1		D		
13	601-33411-900	DISK,BLADE SAFETY ASS'Y	1		C		
14	603-33411-200	COVER,FREE WHEELING DISK	1		D		
15	604-33411-204	BOLT,DISK FIXING	1		D		
16	602-33411-201	METAL,FREE WHEELING DISK	1		D		
17	999-61600-203	BEARING,BALL,#6002D	1		C		
18	993-50015-002	RING,STOP,C-15 EX	1		C		
19	601-33411-201	DISK,BLADE SAFETY	1		D		
20	992-10060-012	WASHER,S,6	3		A		
21	990-21060-151	BOLT,6X15	3		C		
23	BP-100	PROTECTOR,BLADE,9/10"	1		E		
24	616-33411-200	BAND,CUTTER COVER	1		D		
27	746-37455-901	STRAP,SHOULDER	1		D		

Free Manuals Download Website

<http://myh66.com>

<http://usermanuals.us>

<http://www.somanuals.com>

<http://www.4manuals.cc>

<http://www.manual-lib.com>

<http://www.404manual.com>

<http://www.luxmanual.com>

<http://aubethermostatmanual.com>

Golf course search by state

<http://golfingnear.com>

Email search by domain

<http://emailbydomain.com>

Auto manuals search

<http://auto.somanuals.com>

TV manuals search

<http://tv.somanuals.com>