

Form 2421w
(Rev. 853)
Printed in U.S.A.

HISTORICAL COPY
DO NOT REMOVE

LIST OF PARTS



SINGER**

MACHINE No. 136w105

THE SINGER MANUFACTURING COMPANY

INSTRUCTIONS FOR OILING

To ensure easy running and prevent unnecessary wear of the parts which are in movable contact, the machine requires oiling, and when in continuous use, "TYPE B" or "TYPE D" OIL, sold by Singer Sewing Machine Company, should be applied at least twice each day to all oil holes marked "OIL", as instructed in Form 2236w.

"TYPE D" OIL should be used when an oil is desired which will produce a minimum of stain on fabrics, even after a long period of storage.

The small felt pad on the side of the bobbin case should be kept wet with oil to lubricate the hook race.

Occasionally check the grease in gear cases on the underside of the bed of the machine and fill gear cases, when necessary, with GEAR LUBRICANT, sold by Singer Sewing Machine Company.

INDEX

| | Page |
|------------------------------|------|
| Accessories | 17 |
| Bobbin Winder | 17 |
| Feed Gears | 19 |
| Knee Lifter | 18 |
| Knife Honing Device | 20 |
| Machine No. 136w105..... | 5 |
| Numerical List of Parts..... | 23 |
| Throat Plates | 21 |
| Wood Base | 22 |

INSTRUCTIONS FOR ORDERING

5

In ordering from this list, use **ONLY** the PART number in the **FIRST** column.

The number stamped on a Sewing Machine Part is the number of the Single Part only, except when the part includes Set Screws, Clamping Screws, Studs and Rollers Spun on, Small Wires riveted, or Parts soldered together, etc., which it is necessary to furnish in combination.

Every combination of parts sent out has its specific number which, although not stamped on Parts (except in above case), must be used when ordering the combination.

Each number always indicates the **SAME PART** in whatever list it appears, or for whatever Machine.

The letters after some of the numbers indicate the style of finish only, as follows:

- A—Hardened, Polished, Nickel Plated and Buffed.
- AL—Heat Treated for Toughness.
- ALX—Heat Treated for Toughness and Black Oxide.
- B—Polished, Nickel Plated and Buffed.
- C—Hardened only.
- D—Polished only.
- E—Soft, Not polished.
- F—Hardened and Polished.
- J—Nickel Plated only.
- R—Merlized.
- X—Black Oxide, for Iron and Steel.
- XC—Hardened and Black Oxide, for Iron and Steel.
- Y—Black Nickel Plated only.
- Z—Chromium Plated.

These letters **MUST BE USED** when they appear in the list and **AFTER** the number, as in the list.

In this series

1 to 1500, 200001 to 201500 and 350001 to 351500 are Screw Numbers.

1501 to 1800, 201501 to 201800 and 351501 to 351800 are Nut Numbers.

1801 to 2000, 201801 to 202000 and 351801 to 352000 are Roller Numbers.

2001 to 50000 and 202001 to 350000 are Numbers of Machine Parts.

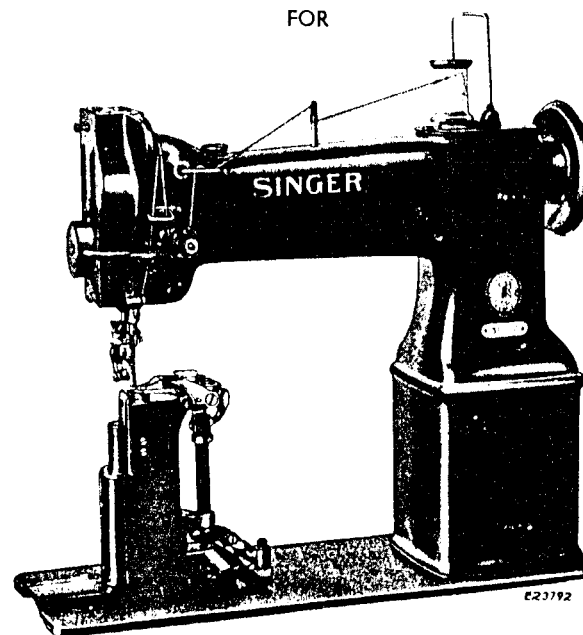
The figures in the second column refer only to the plate in which the illustration of the part is shown and are **NOT TO BE USED** in ordering.

Two or more numbers over a cut indicate that the difference between such parts is not visible in an illustration.

Parts marked with an asterisk (*) are furnished only when repairs are made at the factory.

LIST OF PARTS COMPLETE

FOR



MACHINE No. 136w105

VERTICAL HOOK. POST BED.

CONTINUOUS WHEEL FEED.

BALL BEARING ROLLER PRESSER.

Horizontal Undertrimmer attached to Hook Post.

For Simultaneously stitching the edges and undertrimming the linings of Shoes, Sandals, Slippers, etc.

| No. | Plate | Name |
|---------|-------|---|
| *249069 | ----- | Arm with 202135 |
| 249001 | ----- | " Base |
| 204235 | 17330 | " " Position Pin (2) |
| 200004E | 17330 | " " Screw (3) |
| 202005 | 17330 | " " Washer (3) |
| 203091 | 17325 | " Cap |
| 200278X | 17325 | " " Screw |
| 202248 | 17325 | " " " Washer |
| 203089 | 17325 | " " Spool Holder Base |
| 203090 | 17325 | " " " " " 203089 with 200079X and 204296 |

| No. | Plate | Name |
|----------|-------|---|
| 249012 | 17327 | Feed Wheel Bevel Gear Driving Pinion with two 201052C |
| 350395C | 17327 | Feed Wheel Bevel Gear Driving Pinion Screw Stud |
| 201052C | 17327 | Feed Wheel Bevel Gear Driving Pinion Set Screw |
| 249013 | 17327 | Feed Wheel Bevel Gear Driving Pinion Shaft (lower) |
| 249014 | 17327 | Feed Wheel Bevel Gear Driving Pinion Shaft (lower) Bushing |
| 200383C | 17327 | Feed Wheel Bevel Gear Driving Pinion Shaft (lower) Bushing Set Screw |
| 249077 | 17327 | Feed Wheel Bevel Gear Driving Pinion Shaft (lower) Collar with two 200393C |
| 200393C | 17327 | Feed Wheel Bevel Gear Driving Pinion Shaft (lower) Collar Set Screw |
| 248810 | 17327 | Feed Wheel Bevel Gear Driving Pinion Shaft (upper) |
| 249077 | 17327 | Feed Wheel Bevel Gear Driving Pinion Shaft (upper) Collar with two 200393C |
| 200393C | 17327 | Feed Wheel Bevel Gear Driving Pinion Shaft (upper) Collar Set Screw |
| 249078 | 17327 | Feed Wheel Bevel Gear Driving Pinion Shaft Connection |
| 249073 | 17327 | Feed Wheel Bevel Gear Driving Pinion Thrust Washer |
| 229D | 17327 | Feed Wheel Bevel Gear Screw |
| 249096 | 17327 | " " " " Spacing Washer |
| 249079 | 17327 | " " Bracket |
| 249266 | 17327 | " " " 249079 with 248810, 249012, 249061, 249073, 249077, 249096, 249097, 249267, 350395C, 350514AL and three 200585X |
| 249019 | 17327 | Feed Wheel Bracket Friction Plug |
| 201052C | 17327 | " " " " " Set Screw |
| 200362C | 17327 | Feed Wheel Bracket Set Screw |
| 350514AL | 17327 | " " Cap Screw |
| 249023 | 15739 | " " Driving Gear (for 15 stitches) |
| 249024 | 15739 | Feed Wheel Driving Gear (for 16 stitches) |
| 249026 | 15739 | Feed Wheel Driving Gear (for 18 stitches) |
| 238613 | 15739 | Feed Wheel Driving Gear Key |
| 238614 | 15739 | " " " " " Shifting Collar with 201464C |
| 201464C | 15739 | Feed Wheel Driving Gear Key Shifting Screw Stud |
| 238615 | 15739 | Feed Wheel Driving Gear Key Spring |
| 201202D | 15739 | " " " " " Screw |

| No. | Plate | Name |
|---------|-------|---|
| 238616 | 15739 | Feed Wheel Driving Gear Key Stop Pin |
| 249075 | 15739 | " " " " Separating Washer (2) |
| 249030 | 15739 | Feed Wheel Driving Gear Shaft with 238616 |
| 249032 | 15739 | Feed Wheel Driving Gear Shaft Bracket with 202299, 238630 and two 200346C |
| 202299 | 15739 | Feed Wheel Driving Gear Shaft Bracket Oil Packing (wick) |
| 249033 | 15739 | Feed Wheel Driving Gear Shaft Bracket Plate with two 210983 |
| 210983 | 15739 | Feed Wheel Driving Gear Shaft Bracket Plate Position Pin |
| 200158X | 15739 | Feed Wheel Driving Gear Shaft Bracket Plate Screw (2) |
| 201082E | 15739 | Feed Wheel Driving Gear Shaft Bracket Screw (long) |
| 225532 | 15739 | Feed Wheel Driving Gear Shaft Bracket Screw (long) Washer |
| 201308E | 15739 | Feed Wheel Driving Gear Shaft Bracket Screw (short) |
| 203637 | 15739 | Feed Wheel Driving Gear Shaft Bracket Screw (short) Washer |
| 238630 | 15739 | Feed Wheel Driving Gear Shaft Bushing |
| 249031 | 15739 | " " " " " Collar with 200397X |
| 200397X | 15739 | Feed Wheel Driving Gear Shaft Collar Set Screw |
| 249037 | 15740 | Feed Wheel Driving Pinion (for 15 stitches) |
| 249038 | 15740 | Feed Wheel Driving Pinion (for 16 stitches) |
| 249040 | 15740 | Feed Wheel Driving Pinion (for 18 stitches) |
| 231433 | 15740 | Feed Wheel Driving Pinion Key |
| 249044 | 15740 | " " " Shaft |
| 249045 | 15740 | " " " " Bushing (back) |
| 200362C | 15739 | " " " " " " Set Screw |
| 249046 | 15740 | Feed Wheel Driving Shaft Bushing (front) |
| 200346C | 15739 | Feed Wheel Driving Shaft Bushing (front) Set Screw |
| 249047 | 15740 | Feed Wheel Driving Shaft Collar with two 201052C |
| 201052C | 15740 | Feed Wheel Driving Shaft Collar Set Screw |
| 237724 | 15740 | Feed Wheel Driving Shaft Gear with 200378C and 201220C |
| 201220C | 15740 | Feed Wheel Driving Shaft Gear Position Screw |
| 200378C | 15740 | Feed Wheel Driving Shaft Gear Set Screw |

| No. | Plate | Name |
|---------|-------|--|
| 201666E | 15740 | Feed Wheel Driving Shaft Nut |
| 203411 | 15740 | " " " " Washer |
| *203482 | ----- | Hook (sewing) |
| 233853 | 17313 | " 203482 with 201253F, 201376C and 241604 |
| 238315 | 17313 | Hook and Bobbin Case complete, Nos. 233853 and 238313 |
| 249049 | 17326 | Hook Bevel Gear Socket, 14 teeth |
| 234024 | 17326 | " " " " Friction Washer |
| 200555X | 17313 | " " " " Screw |
| 241551 | 15740 | " " Pinion, 28 teeth, with two 200378C |
| 201318E | 15740 | Hook Bevel Pinion Guard Oil Stop Screw |
| 201082E | 15740 | " " " " Screw |
| *249050 | ----- | " " " " Section (back) |
| *249051 | ----- | " " " " (front) |
| 249052 | 15740 | Hook Bevel Pinion Guard complete, Nos. 201082E, 201318E, 249050 and 249051 |
| 200378C | 15740 | Hook Bevel Pinion Set Screw |
| 237728 | 15740 | " Driving Shaft |
| 235857 | 15740 | " " " Bevel Gear with 200374C and 200396C |
| 237729 | 15739 | Hook Driving Shaft Bevel Gear Housing with 200346C and three 200362C |
| 237730 | 15739 | Hook Driving Shaft Bevel Gear Housing Cap (bottom) |
| 237731 | 15739 | Hook Driving Shaft Bevel Gear Housing Cap (bottom) Gasket |
| 237732 | 15739 | Hook Driving Shaft Bevel Gear Housing Cap (side) |
| 237733 | 15739 | Hook Driving Shaft Bevel Gear Housing Cap (side) Gasket |
| 200053C | 15739 | Hook Driving Shaft Bevel Gear Housing Cap Screw (4) |
| 201082E | 15739 | Hook Driving Shaft Bevel Gear Housing Screw (long) |
| 225532 | 15739 | Hook Driving Shaft Bevel Gear Housing Screw (long) Washer |
| 201308E | 15739 | Hook Driving Shaft Bevel Gear Housing Screw (short) |
| 203637 | 15739 | Hook Driving Shaft Bevel Gear Housing Screw (short) Washer |
| 200396C | 15740 | Hook Driving Shaft Bevel Gear Position Screw |
| 200374C | 15740 | Hook Driving Shaft Bevel Gear Set Screw |
| 237734 | 15740 | Hook Driving Shaft Bushing (back) |
| 200362C | 15739 | " " " " " Set Screw |
| 249053 | 15740 | Hook Driving Shaft Bushing (front) |
| 200338C | 15740 | " " " " " Set Screw |

| No. | Plate | Name |
|---------|-------|--|
| 221743 | 15740 | Hook Driving Shaft Collar with two 200380C |
| 200380C | 15740 | Hook Driving Shaft Collar Set Screw |
| 241604 | 17313 | " Gib |
| 201376C | 17313 | " " Hinge Screw |
| 201253F | 17313 | " " Screw |
| 249280 | 17326 | " Post |
| 249072 | 17326 | " " Oil Packing (wick) |
| 200959D | 17326 | " " " " " Screw (2) |
| 200017C | 17326 | " " Screw (2) |
| 203637 | 17326 | " " " Washer (2) |
| 221215 | 17326 | " " Slide |
| 221222 | 17313 | " Washer |
| 249100 | 17330 | Knee Lifter Lifting Lever |
| 200242X | 17330 | " " " " Hinge Screw |
| 227561 | 17330 | " " " " Spring |
| 241683 | 17330 | " " " " Stop Finger |
| 233390 | 17330 | " " " " Washer |
| 238508 | 17328 | Knife |
| 238530 | 15740 | " Driving Eccentric with two 200386C |
| 238510 | 15740 | " " " Oil Pan |
| 201058E | 15740 | " " " " Screw (2) |
| 240019 | 15740 | " " " Oiling Felt |
| 200386C | 15740 | " " " Set Screw |
| 238512 | 15740 | " " Fork Lever |
| 249281 | 15740 | " " " " 238512 with 200243D, 201531X and 249282 |
| 238513 | 15740 | Knife Driving Fork Lever Bracket with 200378C |
| 202126 | 15740 | Knife Driving Fork Lever Bracket Position Pin (2) |
| 201058E | 15740 | Knife Driving Fork Lever Bracket Screw (2) |
| 210910 | 15740 | Knife Driving Fork Lever Hinge Stud with 202277 |
| 202277 | 15740 | Knife Driving Fork Lever Hinge Stud Oil Packing (wick) |
| 200378C | 15740 | Knife Driving Fork Lever Hinge Stud Set Screw |
| 249282 | 15740 | Knife Driving Fork Lever Slide Block |
| 200243D | 15740 | " " " " " " Hinge Screw |
| 201531X | 15740 | Knife Driving Fork Lever Slide Block Hinge Screw Nut |
| 241736 | 17328 | Knife Driving Lever (lower) with 200048C and 241752 |
| 241737 | 17326 | Knife Driving Lever (lower) Guard |
| 200158X | 17326 | " " " " " Screw (2) |
| 200048C | 17328 | Knife Driving Lever (lower) Pinch Screw |
| 241738 | 17328 | Knife Driving Lever (lower) Shaft |

PARTS FOR MACHINE No. 136w105

| No. | Plate | Name |
|----------|-------|---|
| 241739 | 17328 | Knife Driving Lever (lower) complete, Nos. 104D, 24173 and 241736 |
| 241740 | 17328 | Knife Driving Lever (upper) with 200048C |
| 241720 | 17328 | Knife Driving Lever (upper) Locking Plunger |
| 241721 | 17328 | Knife Driving Lever (upper) Locking Plunger Spring |
| 201725D | 17328 | Knife Driving Lever (upper) Locking Plunger Spring Thumb Nut with 200389C |
| 200389C | 17328 | Knife Driving Lever (upper) Locking Plunger Spring Thumb Nut Set Screw |
| 200048C | 17328 | Knife Driving Lever (upper) Pinch Screw |
| 241741 | 17328 | Knife Driving Lever (upper) complete, Nos. 201725D, 241720, 241721 and 241740 |
| 241752 | 17328 | Knife Driving Lever Fork |
| 24173 | 17328 | " " " " Swivel |
| 104D | 17328 | " " " " " Screw |
| 249275 | 17326 | " Guard |
| 200110D | 17326 | " " Screw (2) |
| 241742 | 17328 | " Lever |
| 200168X | 17328 | " " Screw (2) |
| 200169X | 17328 | " Screw (2) |
| 241743 | 17328 | " Shaft |
| 241744 | 17328 | " " Spring |
| 214833 | 17328 | " " " Adjusting Collar with 200380C |
| 200380C | 17328 | Knife Shaft Spring Adjusting Collar Set Screw |
| 241745 | 17328 | Knife Switch-in Lever with 200061XC |
| 200061XC | 17328 | " " " Pinch Screw |
| 241746 | 17328 | " Switch-out Lever |
| 200284D | 17328 | " " " Hinge Screw |
| 241747 | 17328 | " " Plunger |
| 249269 | 17329 | Needle Bar with 200125F, 200175D and 249270 |
| 238251 | 17329 | Needle Bar Connecting Link |
| 264718 | 17329 | " " " " Oil Guard |
| 201183D | 17329 | " " " " " " Screw |
| 202333 | 17329 | Needle Bar Connecting Link Stud with 202254 |
| 202254 | 17329 | Needle Bar Connecting Link Stud Oil Packing (wick) |
| 200374C | 17329 | Needle Bar Connecting Link Stud Set Screw |
| 200383C | 17329 | Needle Bar Connecting Link Stud Set Screw |
| *206891 | ----- | Needle Bar Connecting Stud |

PARTS FOR MACHINE No. 136w105

| No. | Plate | Name |
|---------|-------|---|
| 202329 | 17329 | Needle Bar Connecting Stud 206891 with 200086C and 202330 |
| 202330 | 17329 | Needle Bar Connecting Stud Oil Packing (wick) |
| 200086C | 17329 | Needle Bar Connecting Stud Pinch Screw |
| 202692 | 17329 | " " Crank with 200335C, 200374C, 200383C, 200428C and 202333 |
| 237737 | 17329 | Needle Bar Crank 202692 with 202329, 202399, 202400, 237762 and 238251 |
| 203172 | 17329 | Needle Bar Crank Friction Washer |
| 200428C | 17329 | " " " Position Screw |
| 200335C | 17329 | " " " Set Screw |
| 202664 | 17329 | " " Rock Frame |
| *237794 | 17325 | " " " " Driving Eccentric |
| *237749 | 17325 | " " " " " " Body with 443C and 350107C |
| 350107C | 17325 | Needle Bar Rock Frame Driving Eccentric Body Position Screw |
| 443C | 17325 | Needle Bar Rock Frame Driving Eccentric Body Set Screw |
| 1103C | 17325 | Needle Bar Rock Frame Driving Eccentric Regulating Screw |
| 217D | 17325 | Needle Bar Rock Frame Driving Eccentric Set Screw |
| 7071 | 17325 | Needle Bar Rock Frame Driving Eccentric Set Screw Washer |
| 237750 | 17325 | Needle Bar Rock Frame Driving Eccentric complete, Nos. 217D, 1103C, 7071, 237749 and 237794 |
| 237739 | 17330 | Needle Bar Rock Frame Driving Fork Lever with 200029E |
| 200029E | 17330 | Needle Bar Rock Frame Driving Fork Lever Pinch Screw |
| 237740 | 17330 | Needle Bar Rock Frame Driving Fork Lever Slide Block (two pieces) |
| 210910 | 17329 | Needle Bar Rock Frame Hinge Stud with 202277 |
| 202277 | 17329 | Needle Bar Rock Frame Hinge Stud Oil Packing (wick) |
| 200347C | 17329 | Needle Bar Rock Frame Hinge Stud Set Screw |
| 202666 | 17329 | Needle Bar Rock Frame Position Bracket |
| 200098F | 17329 | Needle Bar Rock Frame Position Bracket Screw |
| 202667 | 17330 | Needle Bar Rock Frame Rock Shaft |
| 210978 | 17330 | " " " " " " 202667 with 200387C and 210920 |
| 202668 | 17330 | Needle Bar Rock Frame Slide Block |
| 210920 | 17330 | " " " " " " 202668 with 201141C |

| No. | Plate | Name |
|---------|-------|---|
| 201141C | 17330 | Needle Bar Rock Frame Slide Block Screw Stud |
| 200387C | 17330 | Needle Bar Rock Frame Slide Block Screw Stud Set Screw |
| 249270 | 17329 | Needle Bar Thread Guide |
| 200175D | 17329 | " " " " Screw |
| 200125F | 17329 | " Set Screw |
| 207072 | 15746 | Presser Bar Bushing (2) |
| 200352C | 15746 | " " " Set Screw (2) |
| 202671 | 15746 | " " Lifter |
| 200653C | 15746 | " " " Hinge Screw |
| 207963 | 15746 | " " Lifting Releasing Lever Bracket |
| 200975F | 15746 | Presser Bar Lifting Releasing Lever Bracket Guide Screw |
| 206608 | 15746 | Presser Bar Lifting Releasing Lever Bracket Spring |
| 202337 | 15746 | Presser Bar Position Guide |
| 202338 | 15746 | " " " " Lever with 200086F |
| 200086F | 15746 | Presser Bar Position Guide Lever Pinch Screw |
| 200352C | 15746 | Presser Bar Position Guide Set Screw |
| 207965 | 17330 | " " Spring (flat) |
| 210949 | 15746 | " " " Bracket with 200086C |
| 200086C | 15746 | Presser Bar Spring Bracket Pinch Screw |
| 350346C | 17330 | Presser Bar Spring Regulating Screw |
| 200948F | 17330 | " " " Support Screw |
| 201997 | 15746 | Roller Presser, 1 in. diam., 5/32 in. face (fine) with 1528J, 201699C, 350104C and twenty-eight 206417 |
| 249056 | 15746 | Roller Presser Arm |
| 249057 | 15746 | " " " 249056 with 201997 |
| 233807 | 15746 | " " " Bracket |
| 235088 | 15746 | " " " " Position Collar with 200362C |
| 200117F | 15746 | Roller Presser Arm Bracket Position Collar Position Screw |
| 200362C | 15746 | Roller Presser Arm Bracket Position Collar Set Screw |
| 202558 | 15746 | Roller Presser Arm Bracket Spring |
| 202559 | 15746 | " " " " " Stop |
| 200141F | 15746 | " " " " " " " Screw |
| 200096D | 15746 | Roller Presser Arm Screw |
| 249058 | 15746 | Roller Presser and Bar complete, Nos. 200096D, 200117F, 202557 to 202559, 200117F, 200117F, 200117F and 200117F 200141F |
| 206417 | 15746 | Roller Presser Ball, 1/16 in. diameter |

| No. | Plate | Name |
|-------------------|------------------|---|
| 201699C | 15746 | Roller Presser Ball Cone |
| 202557 | 15746 | " " Bar |
| 350104C | 15746 | " " Hinge Screw |
| 1528J | 15746 | " " " " Nut |
| 237762 | 17329 | Take-up Lever |
| 202399 | 17329 | " " Driving Stud with 202277 |
| 202277 | 17329 | " " " " Oil Packing (wick) |
| 202400 | 17329 | Take-up Lever Hinge Stud with 202423 |
| 202423 | 17329 | " " " " Oil Packing (wick) |
| 200383C | 17329 | Take-up Lever Hinge Stud Set Screw |
| 202401 | 15746 | " " Oiling Felt |
| 200132E | 15746 | " " " " Screw |
| 244048 | 17314 | Tension Disc (back) |
| 244049 | 17314 | " " (front) |
| 202404 | 15746 | " Release Plunger |
| 244061 | 17314 | " " Washer |
| 223438 | 17314 | " Spring |
| 263106 | 17314 | " " Washer |
| 200625F | 17314 | " Stud with 204925 |
| 200061C | 17314 | " " Set Screw |
| 204925 | 17314 | " " Washer |
| 201572X | 17314 | " Thumb Nut |
| 240358 | 17314 | Tension complete, Nos. 200625F, 201572X 202410, 223438, 244048, 244049, 244061 and 263106 |
| 202410 | 17314 | Thread Controller Spring |
| 241443 | 17314 | " " " Stop |
| 200132E | 17314 | " " " " Screw |
| 202412 | 17325 | " Guide |
| 210955 | 17314 | " " (upper) |
| 200582X | 17314 | " " Screw (2) |
| 241755 | 15745 | " Lubricator Oil Pad (felt) |
| 237779 | 15745 | " " " " Holder |
| 240439 | 15745 | " " " " Retainer |
| 241758 | 15745 | " " " Reservoir |
| 241759 | 15745 | " " " Wick |
| 350432XC | 15745 | " " Screw |
| 201650X | 15745 | " " " Nut |
| 214838 | 15745 | " " " Washer |
| 237780 | 15745 | Thread Lubricator complete, Nos. 214838 237779, 240439, 241755, 241758 and 241759 |
| 240034 | 17314 | Thread Retainer |
| 210956 | 17314 | " " Bracket with 200397X |
| 200582X | 17314 | " " " Screw (2) |
| 200366X | 17314 | " " Set Screw |
| 210993 | 17314 | " " Sleeve |
| 233807 | 17314 | " " Spring |
| 210957 | 17314 | " " Stud |
| 210958 | 17314 | " " " Collar |

| No. | Plate | Name |
|---------|-------|--|
| 200397X | 17314 | Thread Retainer Stud Set Screw |
| 210959 | 17314 | Thread Retainer (lower) complete, Nos. 210956 to 210958, 210993 and 223844 |
| 249179 | 15749 | Throat Plate Body |
| 249180 | 15749 | " " Needle Plate, 56 elongated needle hole, for needle sizes 12 and 13 (minimum trimming margin .045 in.) |
| 200587D | 15749 | Throat Plate Needle Plate Screw |
| 249181 | 15749 | Throat Plate complete, 56 elongated needle hole, for needle sizes 12 and 13, Nos. 249179, 249180 and two 200587D |
| 200099X | 15749 | Throat Plate Screw (2) |
| 249066 | 17330 | Vertical Shaft |
| 237745 | 17330 | " " Bevel Gear (lower) |
| 205508 | 17330 | " " " " " " Position Pin |
| 235857 | 17330 | Vertical Shaft Bevel Gear (upper) with 200374C and 200396C |
| 200396C | 17330 | Vertical Shaft Bevel Gear (upper) Position Screw |
| 200374C | 17330 | Vertical Shaft Bevel Gear (upper) Set Screw |
| 237734 | 17330 | Vertical Shaft Bushing (lower) |
| 200346C | 15739 | " " " " Set Screw |
| 237746 | 17330 | " " " (upper) |
| 200362C | 17330 | " " " " Set Screw |
| 237747 | 17325 | " " Driving Gear with 200374C and 200396C |
| 200396C | 17325 | Vertical Shaft Driving Gear Position Screw |
| 200374C | 17325 | Vertical Shaft Driving Gear Set Screw |
| 249067 | 17330 | " " Oil Leader (lower) (brass) |
| 237755 | 17325 | " " " " (upper) (brass) |

SINGER Needles should be used
in **SINGER** Machines
These Needles and their Containers
are marked with the
Company's Trade Mark "SIMANCO.***" 1

Needles in Containers marked
"FOR SINGER MACHINES"
are NOT **SINGER** made needles. 2

ACCESSORIES

| No. | Plate | Name |
|--------|-------|---|
| 233939 | 17313 | Bobbin (2) |
| 228288 | 15751 | Drip Pan with four 3/4 in. wire nails |
| 238632 | 15740 | Feed Wheel Driving Pinion Spacing Washer (for use in place of Feed Wheel Driving Pinion when one or two lengths of stitch are required) (2) |
| 238508 | 17328 | Knife |
| 41400 | 15757 | Machine Rest Pin (wood) |
| 16 x 4 | ----- | Needles, three each, sizes 12 and 13 |
| 120342 | 15757 | Oiler (copper plated) with 120343 |
| 120343 | 15757 | " Spout (3-1/2 in. long) |
| 4822 | 15757 | Roller Presser Hinge Screw Nut Wrench |
| 225498 | 15757 | Screw Driver (7-1/4 in. long) |
| 228476 | 15757 | " " (Bobbin Case) |
| 225554 | 15757 | Wrench (steel) |

BOBBIN WINDER

(SWINGING AUTOMATIC, RIGHT HAND)
FOR 5/16 INCH ROUND BELT DRIVE

| | | |
|---------|-------|------------------------------|
| 259428 | 16615 | Brake (leather) |
| 259429 | 16615 | " Clamp |
| 200113F | 16615 | " " Screw |
| 225453 | 16615 | Frame with 202277 and 259660 |
| 225454 | 16615 | " Hinge Pin |
| 202277 | 16615 | " Oil Packing (wick) |
| 259660 | 16615 | " " Well Washer |
| 225455 | 16615 | " Spring |
| 225456 | 16615 | " " Plunger |
| 225368 | 16615 | Pulley with 200380C |
| 200380C | 16615 | " Set Screw |
| 225381 | 16615 | Spindle |
| 225444 | 16615 | Stop Latch |
| 200056E | 16615 | " " Screw |
| 225458 | 16615 | " " Thumb Lever |
| 225459 | 16615 | " " Hinge Stud |
| 225451 | 16615 | " " Joint Stud |
| 202478 | 16615 | " Trip Lever |
| 200200E | 16615 | " " Hinge Screw |
| 225461 | 16615 | Tension Bracket with 201400X |

ACCESSORIES

| No. | Plate | Name |
|---------|-------|--|
| 200082D | 16615 | Tension Bracket Screw |
| 228026 | 16615 | " " " Washer |
| 2102 | 16615 | " Disc |
| 13710 | 16615 | " Spring |
| 201499X | 16615 | " Stud |
| 201572X | 16615 | " " Thumb Nut |
| 225462 | 16615 | Bobbin Winder Tension Bracket complete, Nos. 13710, 201572X, 225461 and two 2102 |
| 259430 | 16615 | Bobbin Winder and Tension Bracket Base |
| 259431 | 16615 | Universal Bobbin Winder complete, Nos. 200056E, 200082D, 200113F, 200299X, 202478, 225368, 225381, 225444, 225453 to 225456, 225458, 225462, 228026, 259428 to 259430, two each 225459 and wood screws 3/4 in., No. 12, R. H. B. |

KNEE LIFTER

| | | |
|---------|-------|--|
| 2763 | 17321 | Rock Shaft |
| 7539 | 17321 | " " Hanger with two wood screws 1 in., No. 10 |
| 228364 | 17321 | Rock Shaft Knee Plate with 350231C |
| 228318 | 17321 | " " " " Arm |
| 228685 | 17321 | " " " " Bracket with two 356C |
| 356C | 17321 | Rock Shaft Knee Plate Arm Bracket Set Screw |
| 228686 | 17321 | Rock Shaft Knee Plate Arm Counter Balance Spring |
| 356C | 17321 | Rock Shaft Knee Plate Arm Set Screw |
| 150668 | 17321 | " " " " Pad (rubber) |
| 350231C | 17321 | " " " " Set Screw |
| 6337 | 17321 | " " Lifting Bracket with two 356C |
| 39811 | 17321 | Rock Shaft Lifting Bracket Extension with 39576 |
| 356C | 17321 | Rock Shaft Lifting Bracket Extension Set Screw |
| 356C | 17321 | Rock Shaft Lifting Bracket Set Screw |
| 227676 | 17321 | " " " Chain, 18 in. long, with 202784 |
| 39576 | 17321 | Rock Shaft Lifting Chain Hook (lower) |
| 202784 | 17321 | " " " " " (upper) |
| 2770 | 17321 | " " Stop Dog with 140219C |
| 140219C | 17321 | " " " " Set Screw |
| 228687 | 17321 | Knee Lifter Rock Shaft complete, Nos. 2763, 2770, 6337, 39811, 150668, 227676, 228318, 228364, 228685, 228686 and two 7539 |

FEED GEARS

| No. | Plate | Name |
|--------|-------|---|
| 249020 | 15739 | Feed Wheel Driving Gear (for 12 stitches) |
| 249021 | 15739 | Feed Wheel Driving Gear (for 13 stitches) |
| 249022 | 15739 | Feed Wheel Driving Gear (for 14 stitches) |
| 249023 | 15739 | Feed Wheel Driving Gear (for 15 stitches) |
| 249024 | 15739 | Feed Wheel Driving Gear (for 16 stitches) |
| 249025 | 15739 | Feed Wheel Driving Gear (for 17 stitches) |
| 249026 | 15739 | Feed Wheel Driving Gear (for 18 stitches) |
| 249027 | 15739 | Feed Wheel Driving Gear (for 19 stitches) |
| 249028 | 15739 | Feed Wheel Driving Gear (for 20 stitches) |
| 238641 | 15739 | Feed Wheel Driving Gear (for 21 stitches) |
| 249029 | 15739 | Feed Wheel Driving Gear (for 23 stitches) |
| 238642 | 15739 | Feed Wheel Driving Gear (for 24 stitches) |
| 238605 | 15739 | Feed Wheel Driving Gear (for 26 stitches) |
| 238606 | 15739 | Feed Wheel Driving Gear (for 29 stitches) |
| 238607 | 15739 | Feed Wheel Driving Gear (for 32 stitches) |
| 249034 | 15740 | Feed Wheel Driving Pinion (for 12 stitches) |
| 249035 | 15740 | Feed Wheel Driving Pinion (for 13 stitches) |
| 249036 | 15740 | Feed Wheel Driving Pinion (for 14 stitches) |
| 249037 | 15740 | Feed Wheel Driving Pinion (for 15 stitches) |
| 249038 | 15740 | Feed Wheel Driving Pinion (for 16 stitches) |
| 249039 | 15740 | Feed Wheel Driving Pinion (for 17 stitches) |
| 249040 | 15740 | Feed Wheel Driving Pinion (for 18 stitches) |
| 249041 | 15740 | Feed Wheel Driving Pinion (for 19 stitches) |

FEED GEARS

| No. | Plate | Name |
|--------|-------|---|
| 249042 | 15740 | Feed Wheel Driving Pinion (for 20 stitches) |
| 238655 | 15740 | Feed Wheel Driving Pinion (for 21 stitches) |
| 249043 | 15740 | Feed Wheel Driving Pinion (for 23 stitches) |
| 238656 | 15740 | Feed Wheel Driving Pinion (for 24 stitches) |
| 238618 | 15740 | Feed Wheel Driving Pinion (for 26 stitches) |
| 238619 | 15740 | Feed Wheel Driving Pinion (for 29 stitches) |
| 238620 | 15740 | Feed Wheel Driving Pinion (for 32 stitches) |

KNIFE HONING DEVICE

| | | |
|---------|-------|---|
| 259281 | 17640 | Base with 457AL and two 899D |
| 259282 | 17640 | " 259281 with 674D, 721D, 259274 to 259277, 259309, 259310, 350372C and 350373X |
| 259266 | 17640 | Knife Holder Clamp |
| 259267 | 17640 | " " " Base |
| 259268 | 17640 | " " " " 259267 with 771X, 1359J, 36006, 41544, 259266, 259269 and 259284 |
| 899D | 17640 | Knife Holder Clamp Base Locking Thumb Screw |
| 1359J | 17640 | Knife Holder Clamp Hinge Screw |
| 36006 | 17640 | " " " " Washer |
| 259269 | 17640 | " " " Spring |
| 259284 | 17640 | " " " Washer |
| 771X | 17640 | " " Clamping Thumb Screw |
| 41544 | 17640 | " " " " " Washer |
| 259270 | 17640 | Knife Hone |
| 259271 | 17640 | " " Clamp |
| 215057 | 17640 | " " " Position Pin |
| 200466X | 17640 | " " " Thumb Screw |
| 259272 | 17640 | " " Holder with two 215057 |
| 259273 | 17640 | " " " 259272 with 259270, two each 200466X and 259271 |
| 259274 | 17640 | Knife Hone Holder Guide |
| 259275 | 17640 | " " " " Collar |
| 721D | 17640 | " " " " Set Screw |
| 259276 | 17640 | " " " " Yoke |
| 674D | 17640 | " " " " Hinge Screw |

KNIFE HONING DEVICE

| No. | Plate | Name |
|---------|-------|--|
| 259277 | 17640 | Knife Hone Holder Guide Collar Yoke Hinge Screw Bushing |
| 350372C | 17640 | Knife Hone Holder Guide Collar Yoke Hinge Screw Bushing Set Screw |
| 350373X | 17640 | Knife Hone Holder Guide Thumb Set Screw |
| 259310 | 17640 | Knife Stop Pin (long) |
| 259309 | 17640 | " " " (short) |
| 457AL | 17640 | " " " Set Screw |
| 899D | 17640 | " " " Thumb Screw |
| 259283 | 17640 | Honing Device complete, Nos. 259268, 259273, 259282, Form 2399W and three wood screws 1-1/2 in., No. 8 |

THROAT PLATES

| | | |
|---------|-------|--|
| 249179 | 15749 | Throat Plate Body |
| 249187 | 15749 | " " Body |
| 249182 | 15749 | " " Needle Plate, 56 elongated needle hole, for needle sizes 12 and 13 (minimum trimming margin .035 inch) |
| 249180 | 15749 | Throat Plate Needle Plate, 56 elongated needle hole, for needle sizes 12 and 13 (minimum trimming margin .045 inch) |
| 249188 | 15749 | Throat Plate Needle Plate, 56 elongated needle hole, for needle sizes 12 and 13 (minimum trimming margin .045 inch) |
| 200587D | 15749 | Throat Plate Needle Plate Screw |
| 249181 | 15749 | Throat Plate complete, 56 elongated needle hole, for needle sizes 12 and 13, Nos. 249179, 249180 and two 200587D |
| 249183 | 15749 | Throat Plate complete, 56 elongated needle hole, for needle sizes 12 and 13, Nos. 249179, 249182 and two 200587D |
| 249189 | 15749 | Throat Plate complete, 56 elongated needle hole, for needle sizes 12 and 13, Nos. 249187, 249188 and two 200587D (for long stitch) |

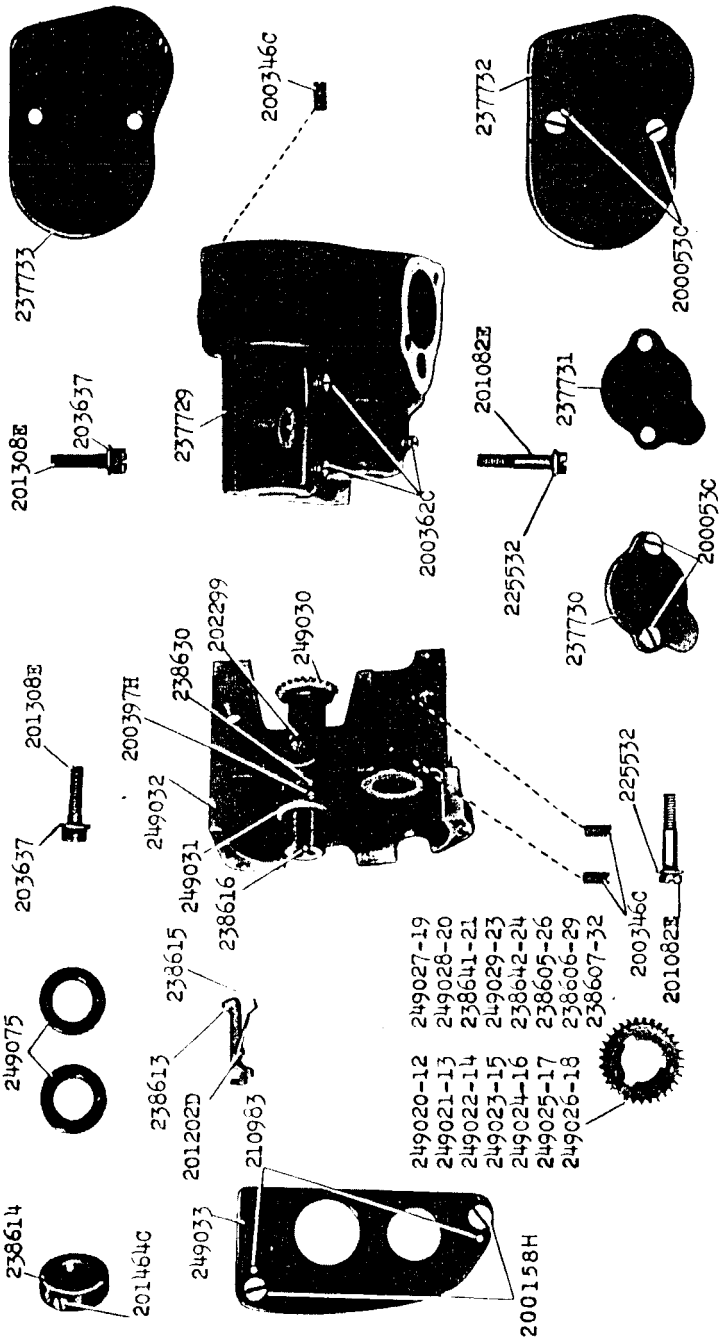
WOOD BASE

(OBLIQUE)

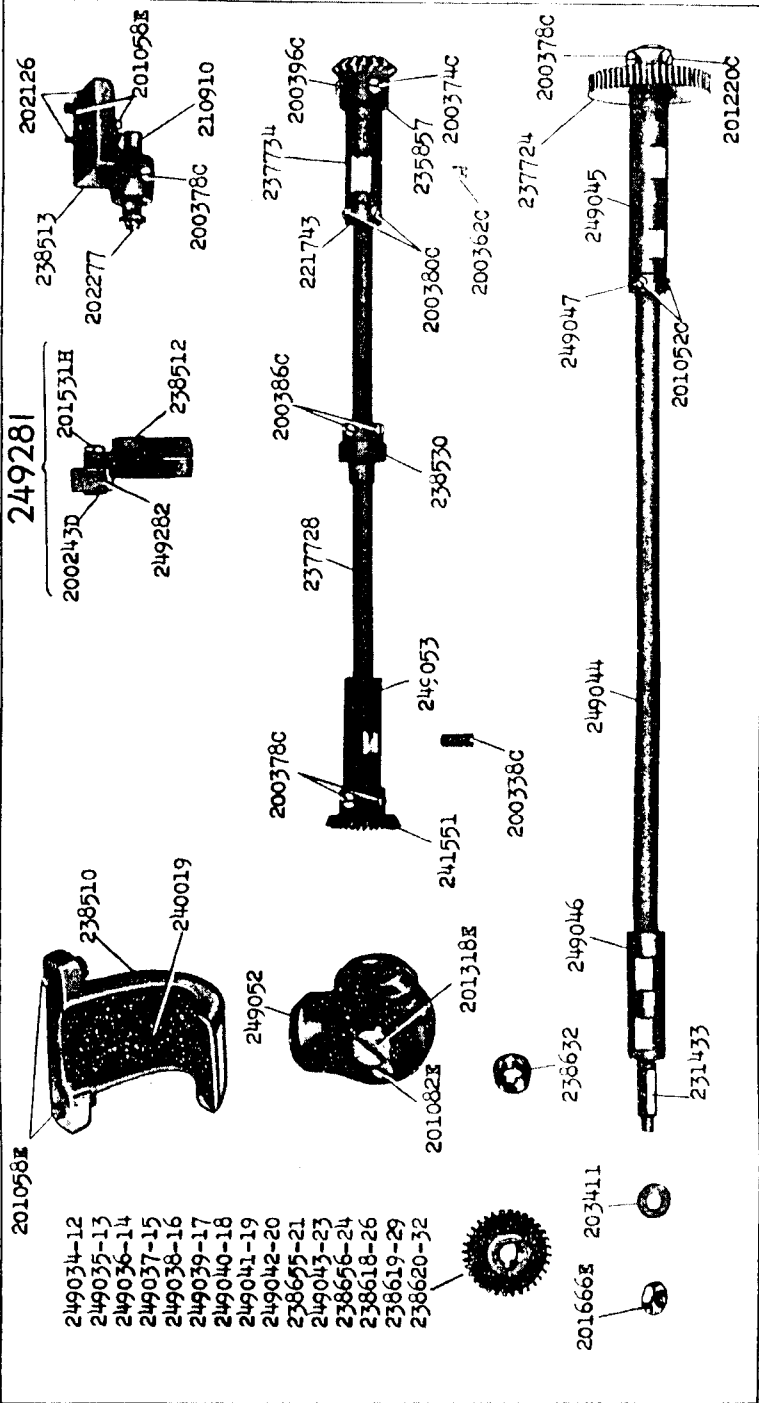
| No. | Plate | Name |
|--------|-------|---|
| 202259 | ----- | Bed Hinge Plate |
| 227493 | 15751 | " " " 202259 with two wood screws 7/8 in., No. 12H |
| 225589 | 15751 | Machine Cushion (leather) |
| 228357 | 15751 | Base with two 227493, four 225589 and eight wood screws 1-1/2 in., No. 7 |

**SINGER Needles should be used
in SINGER Machines
These Needles and their Containers
are marked with the
Company's Trade Mark "SIMANCO.***" 1**

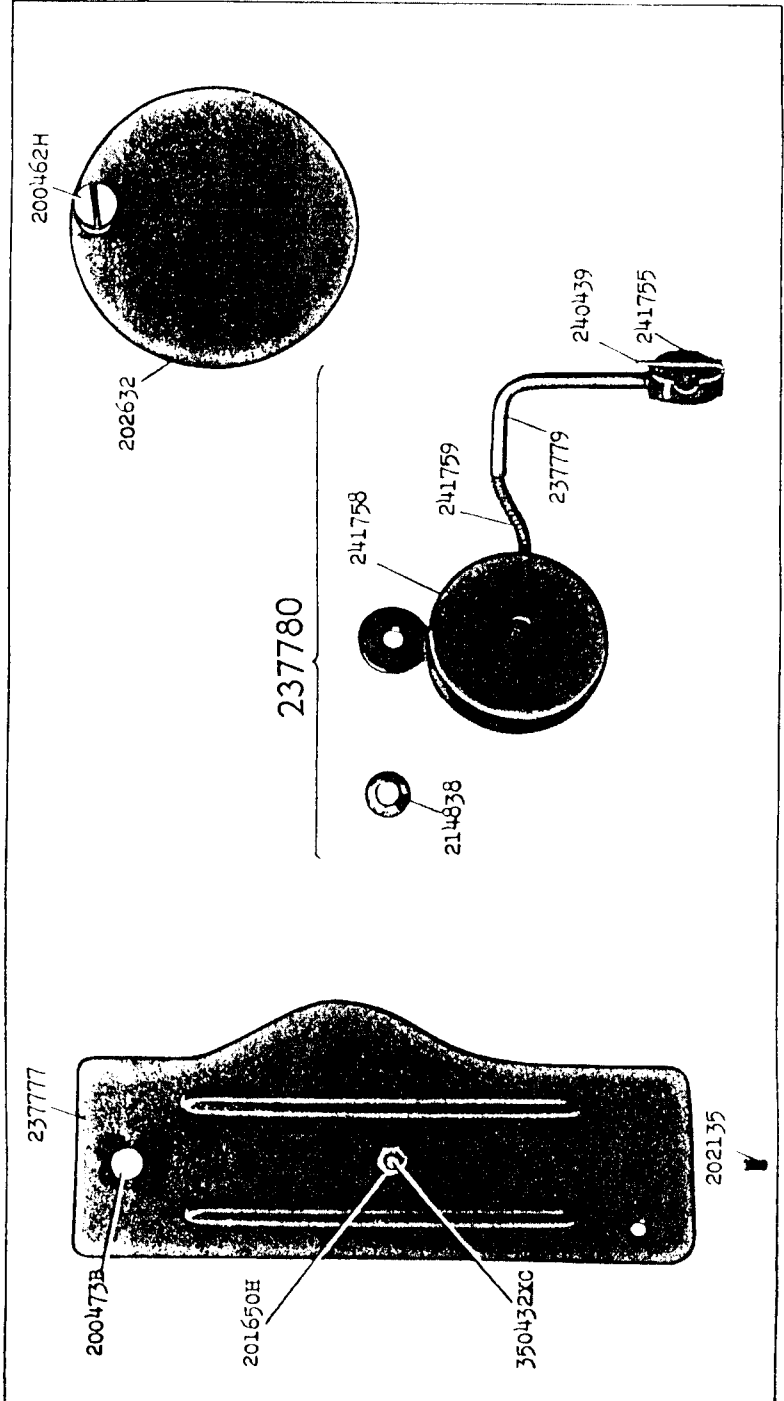
**Needles in Containers marked
"FOR SINGER MACHINES"
are NOT SINGER made needles. 2**



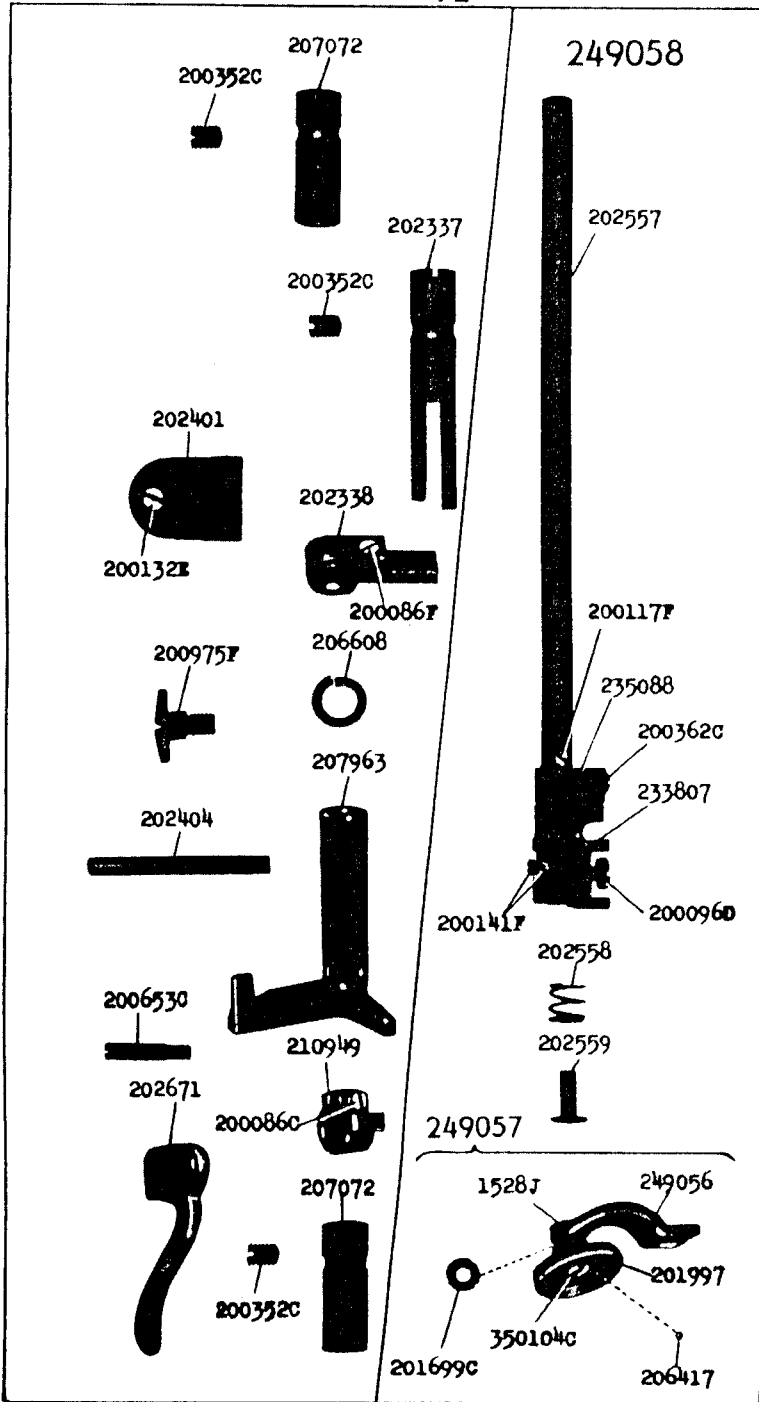
15740 - 1/3



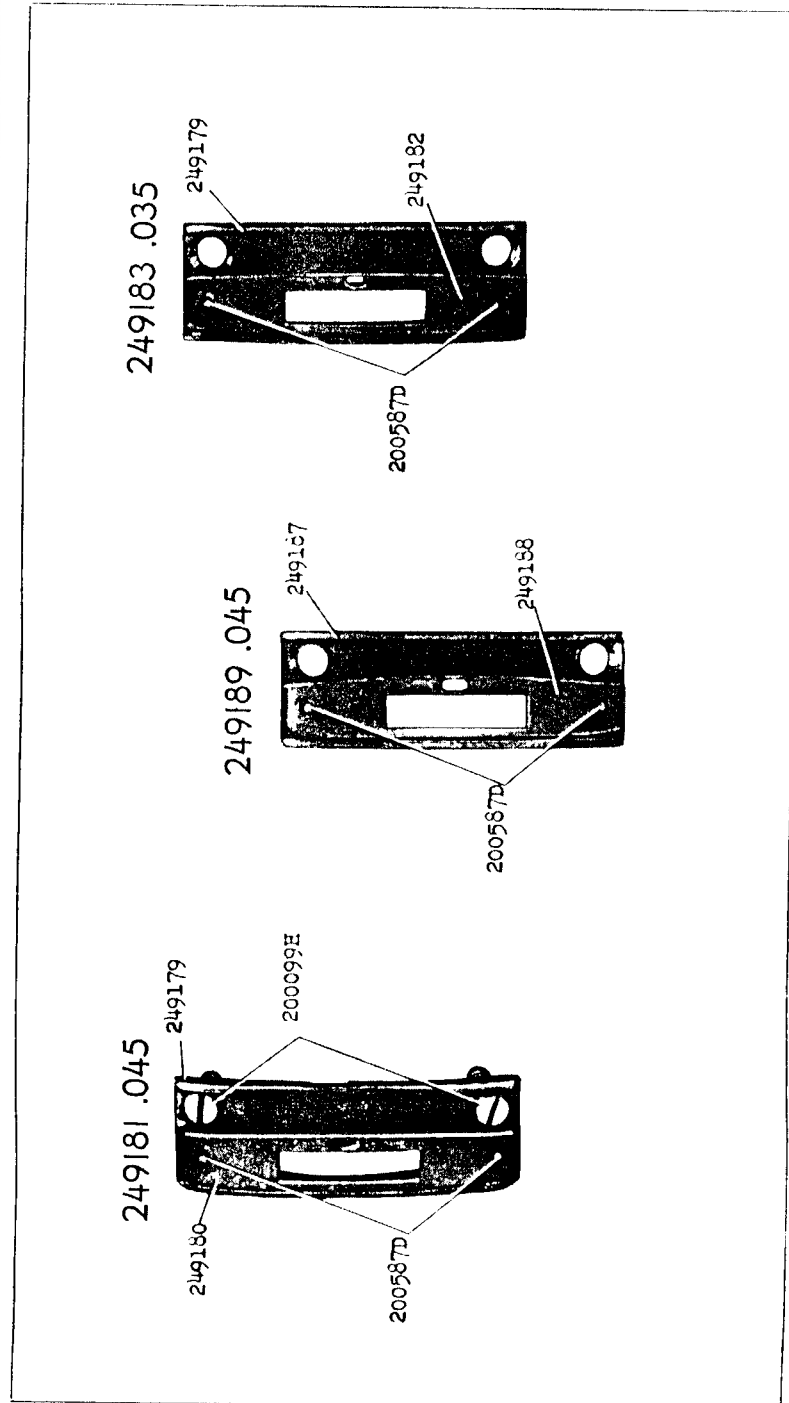
15745 - 1/2



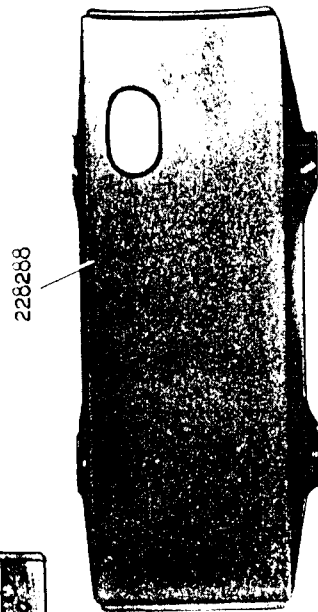
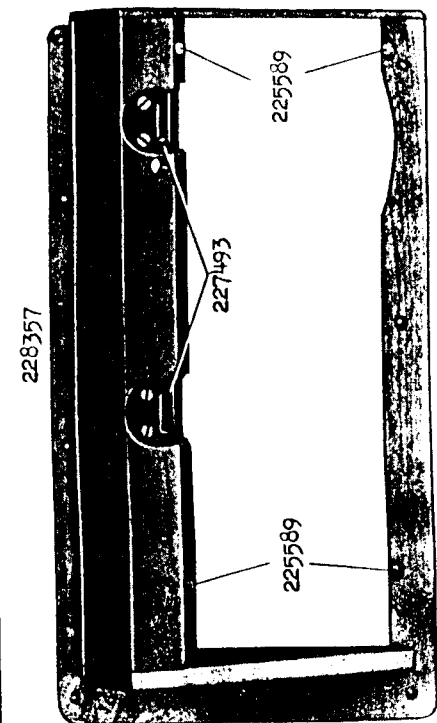
15746 - 1/2



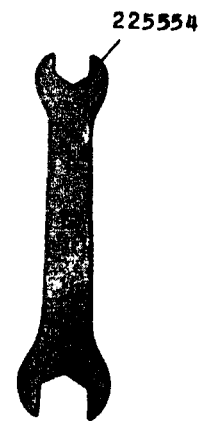
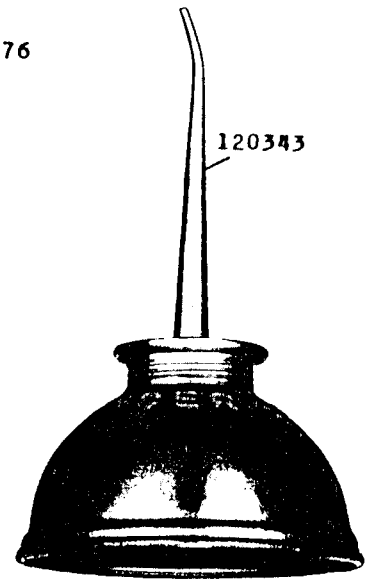
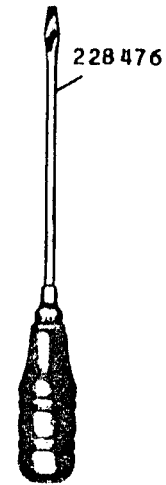
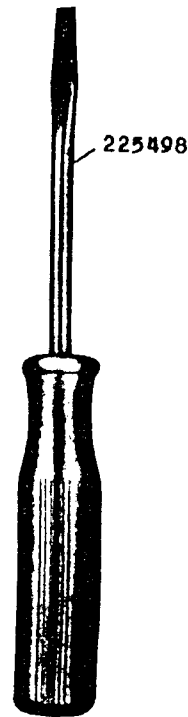
15749



15751 - 1/6

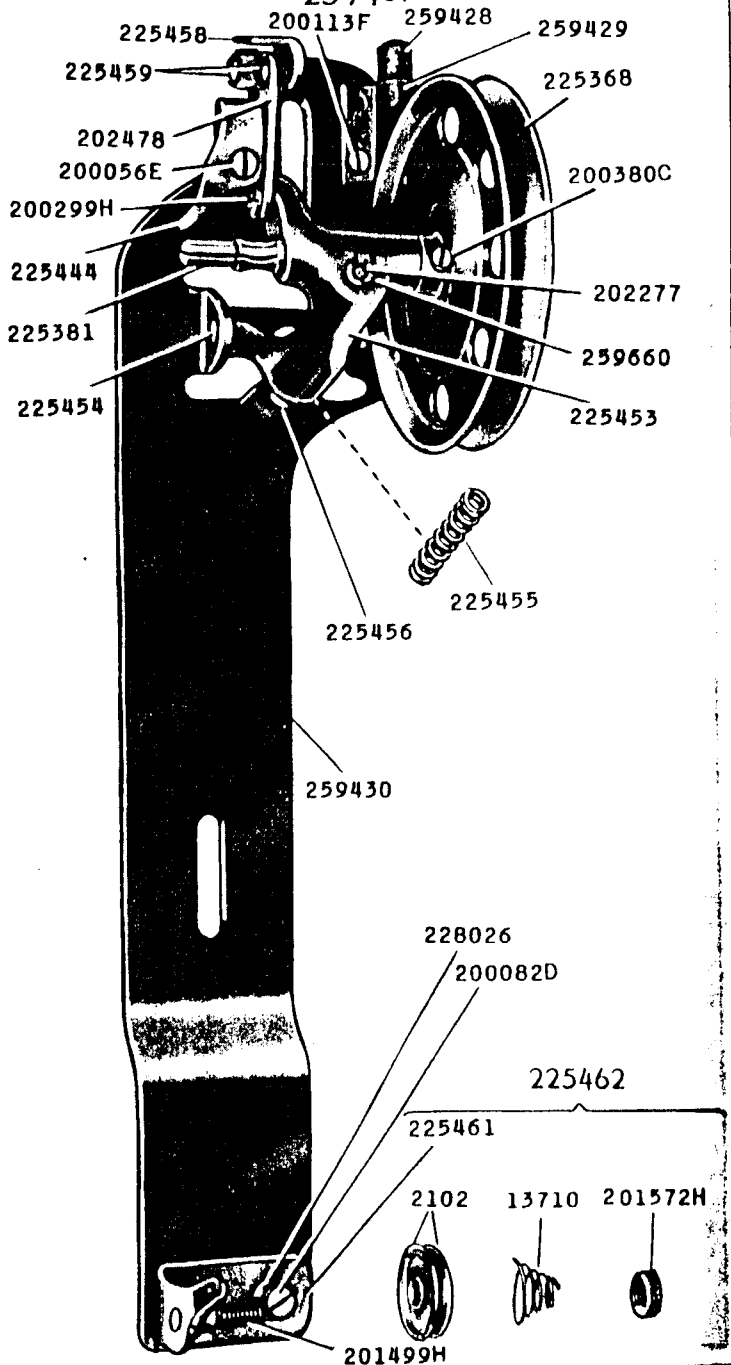


15757 - 1/2



16615 - 1/2

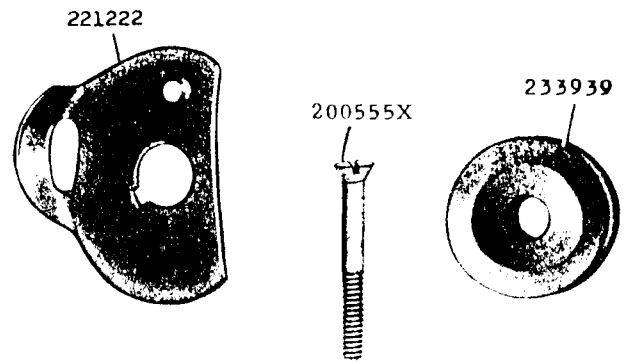
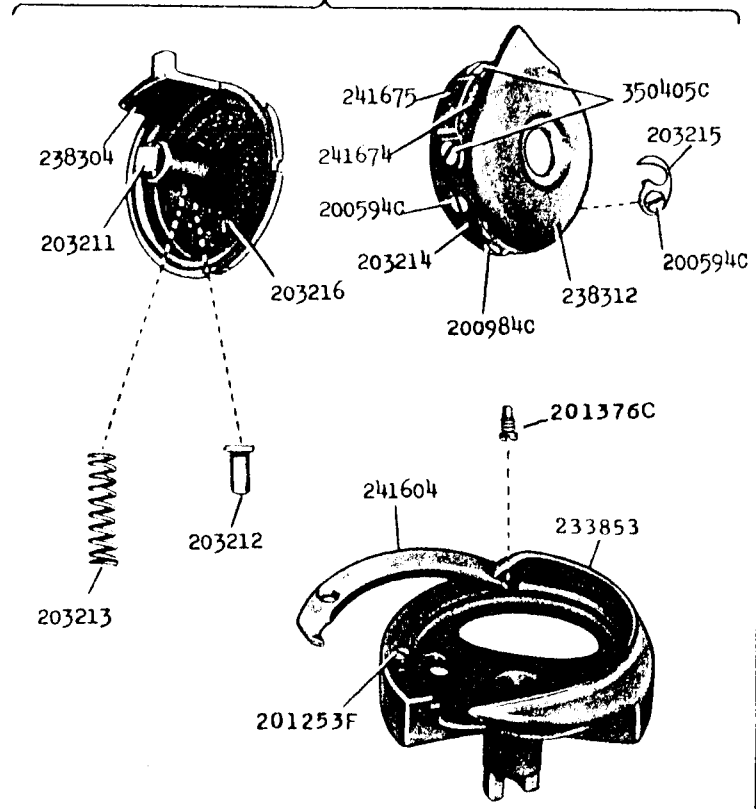
259431



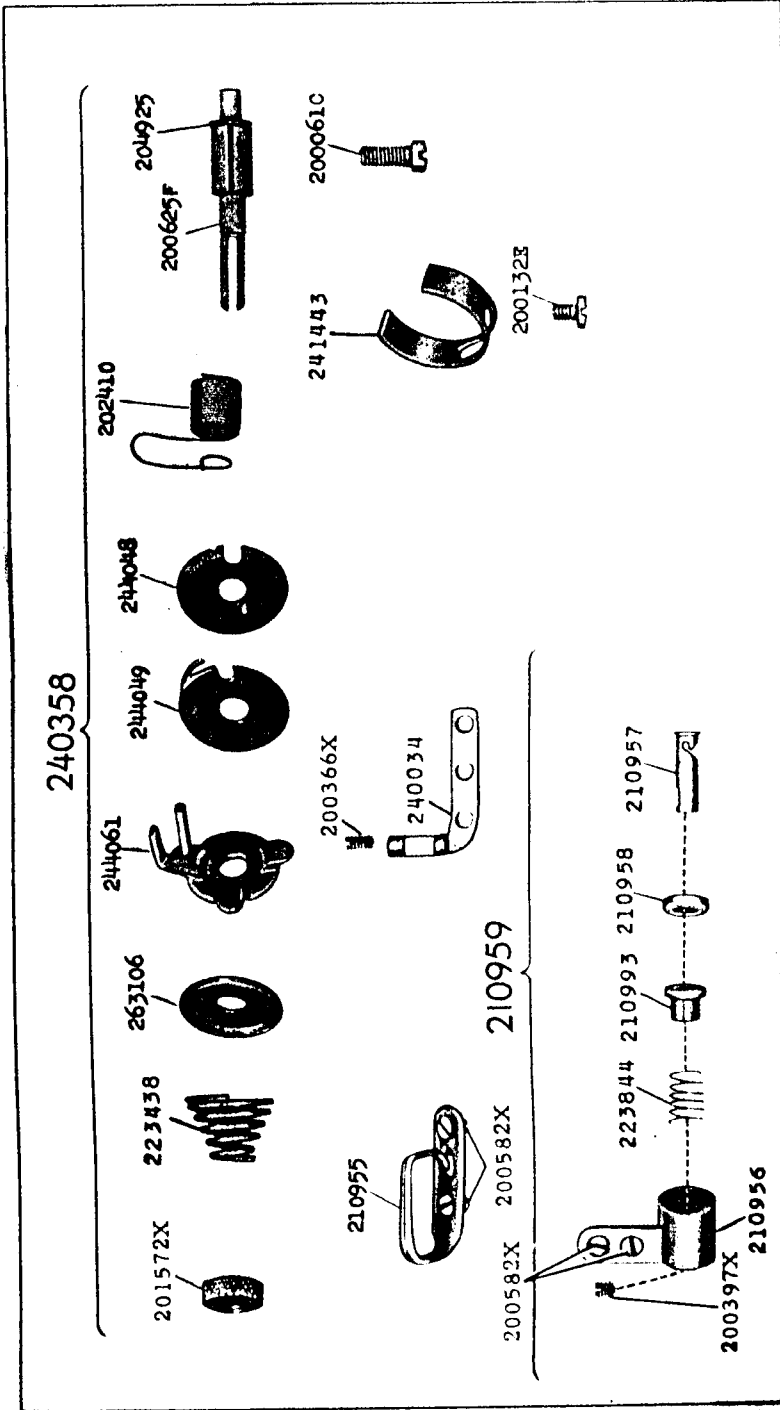
17313

238313

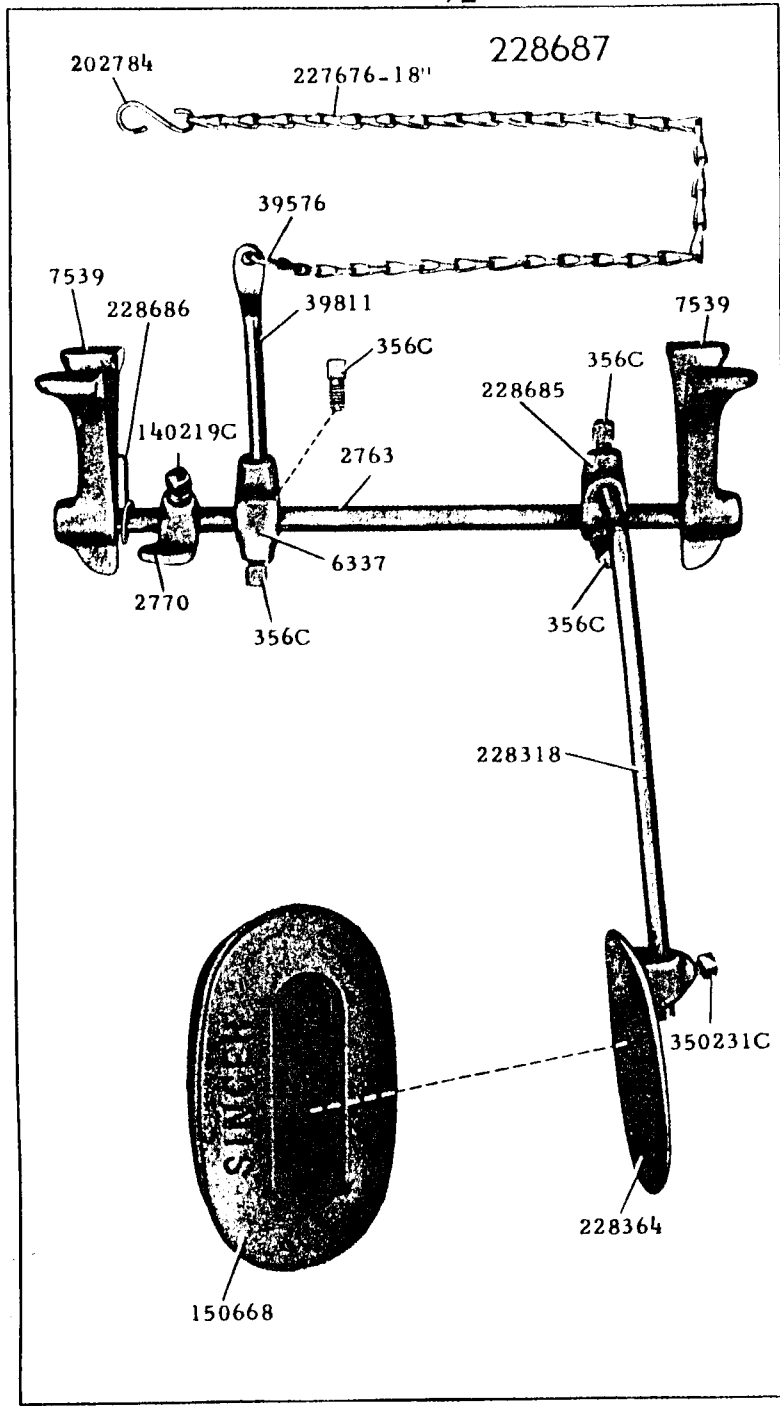
238315

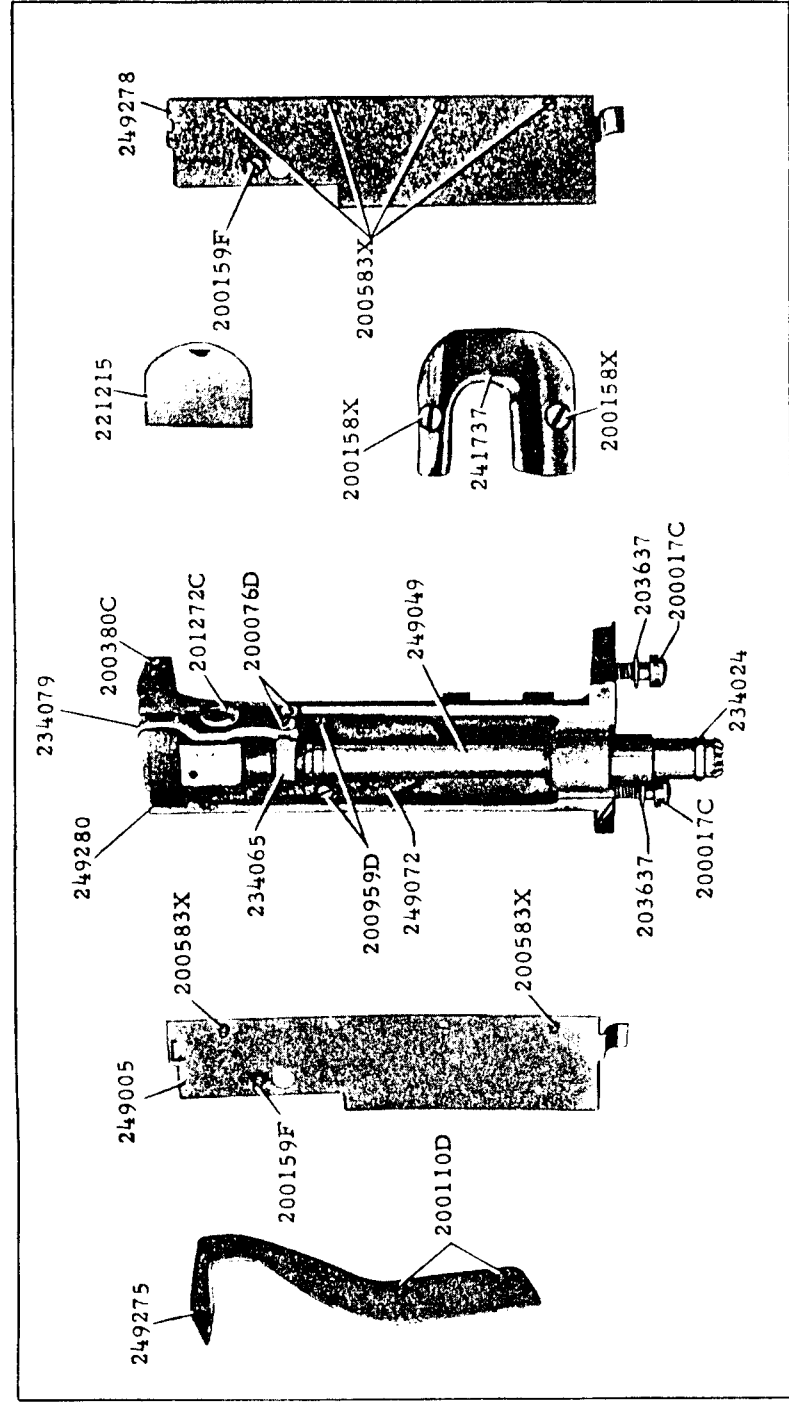
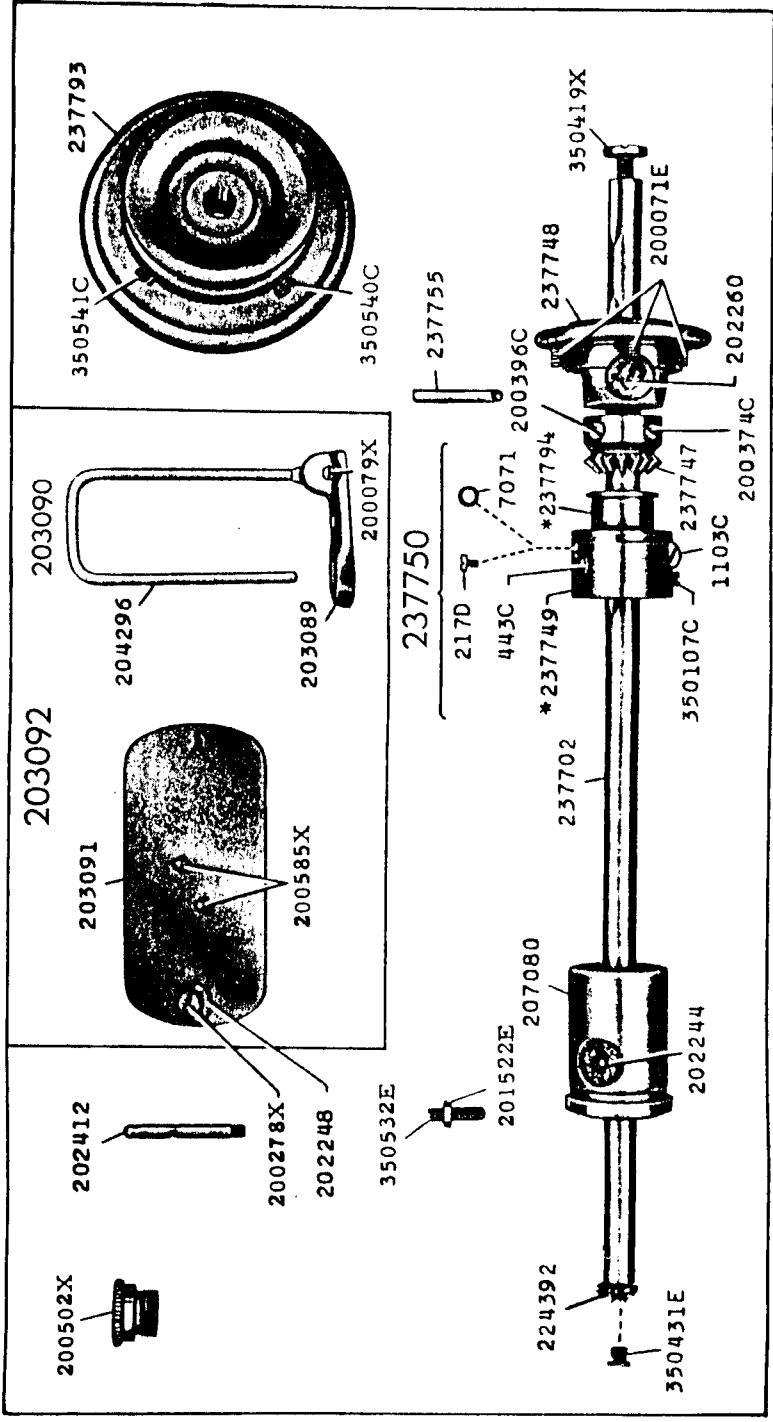


17314 - 2/3

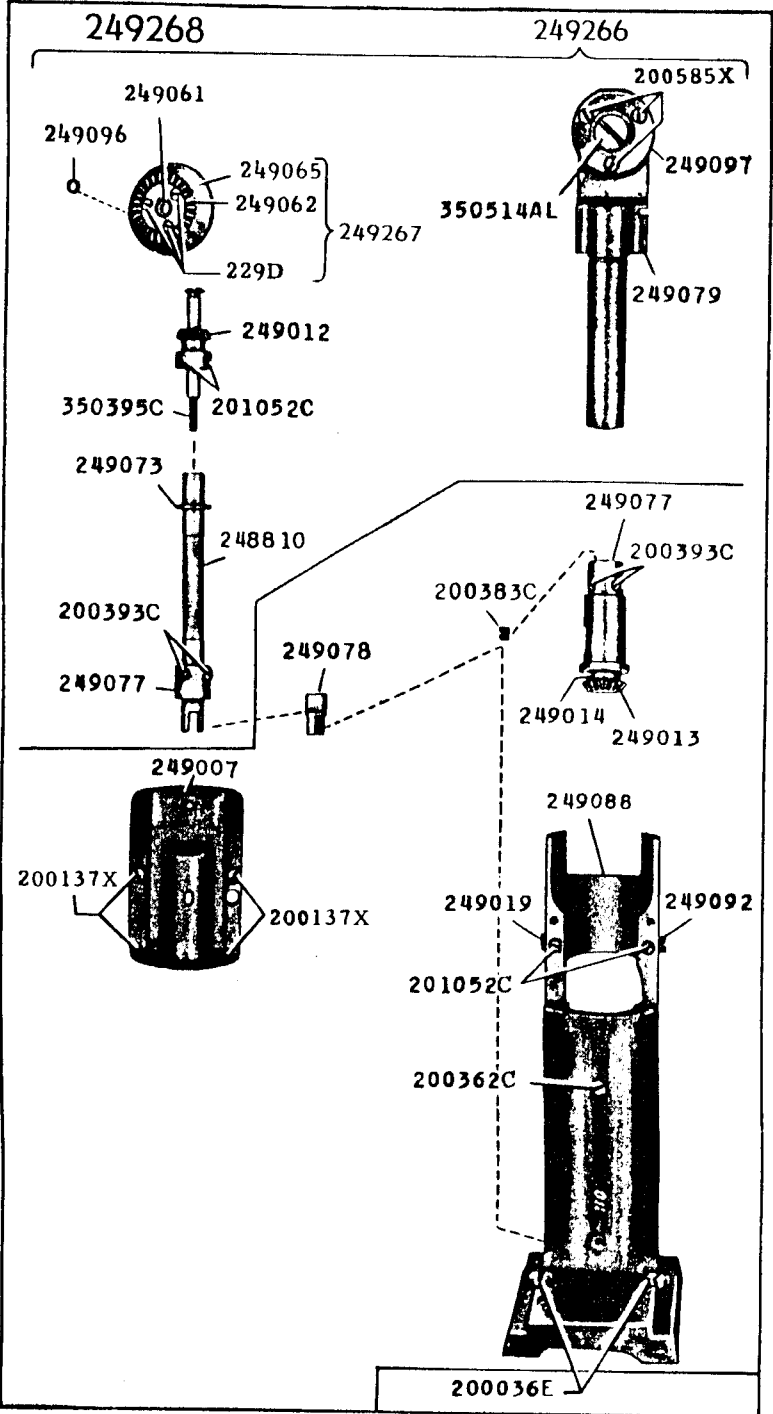


17321 - 1/2

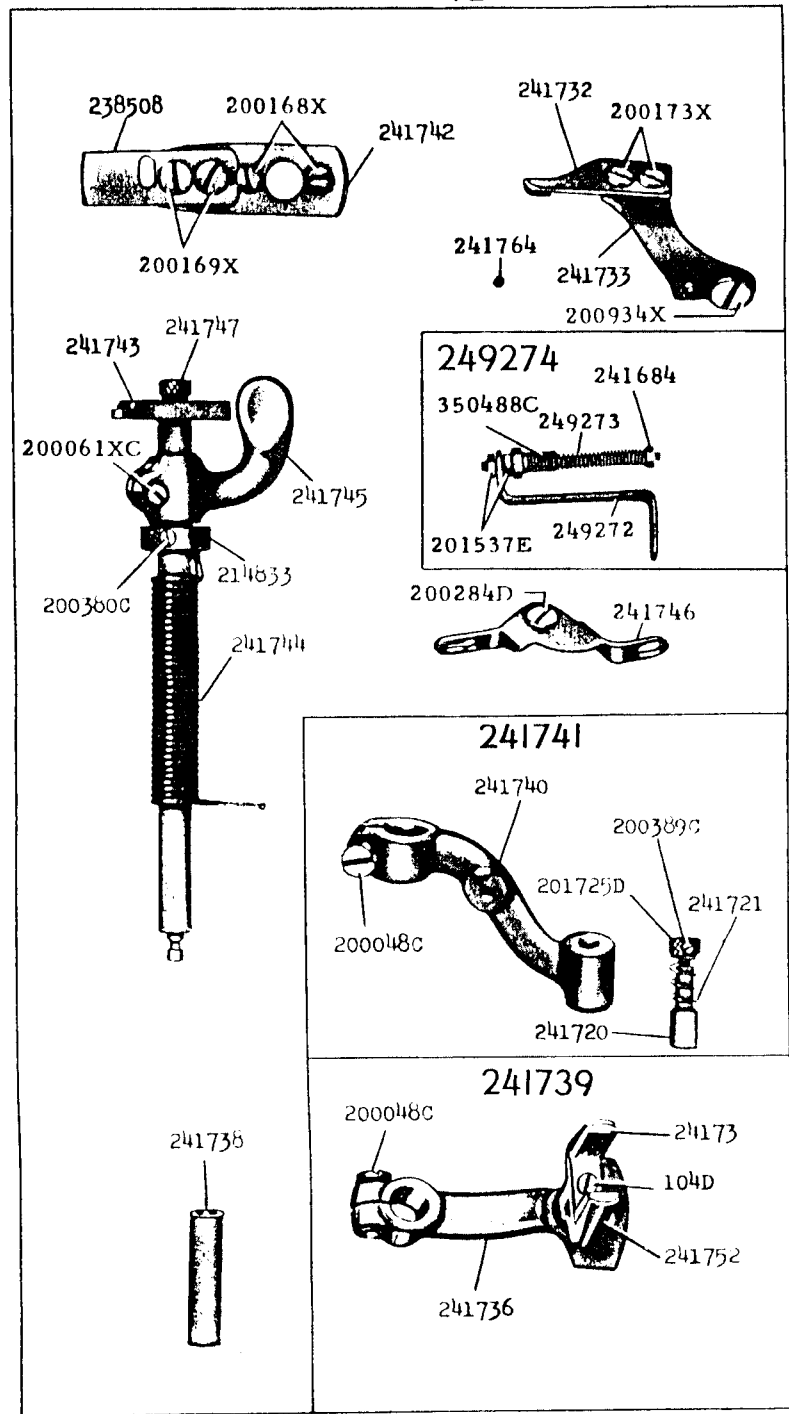




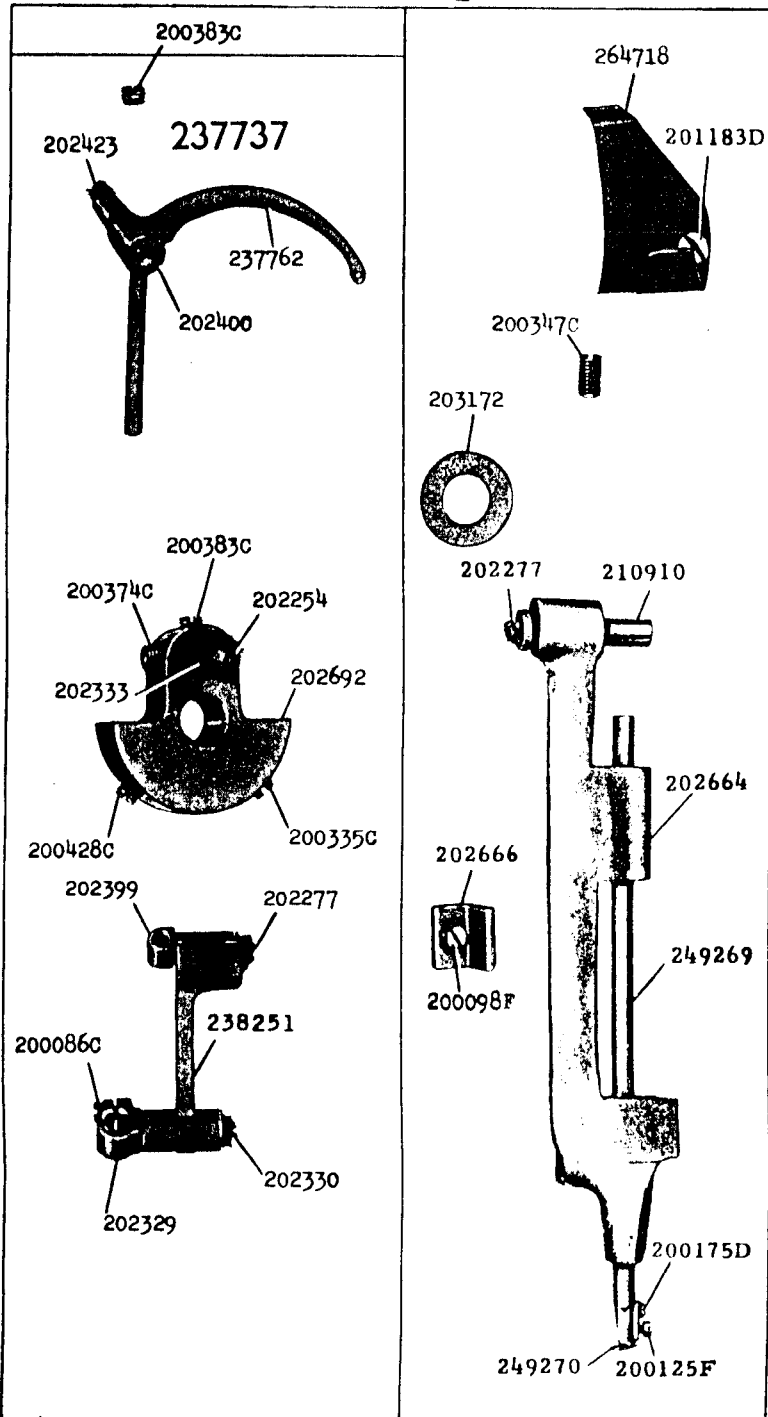
17327 - 1/3



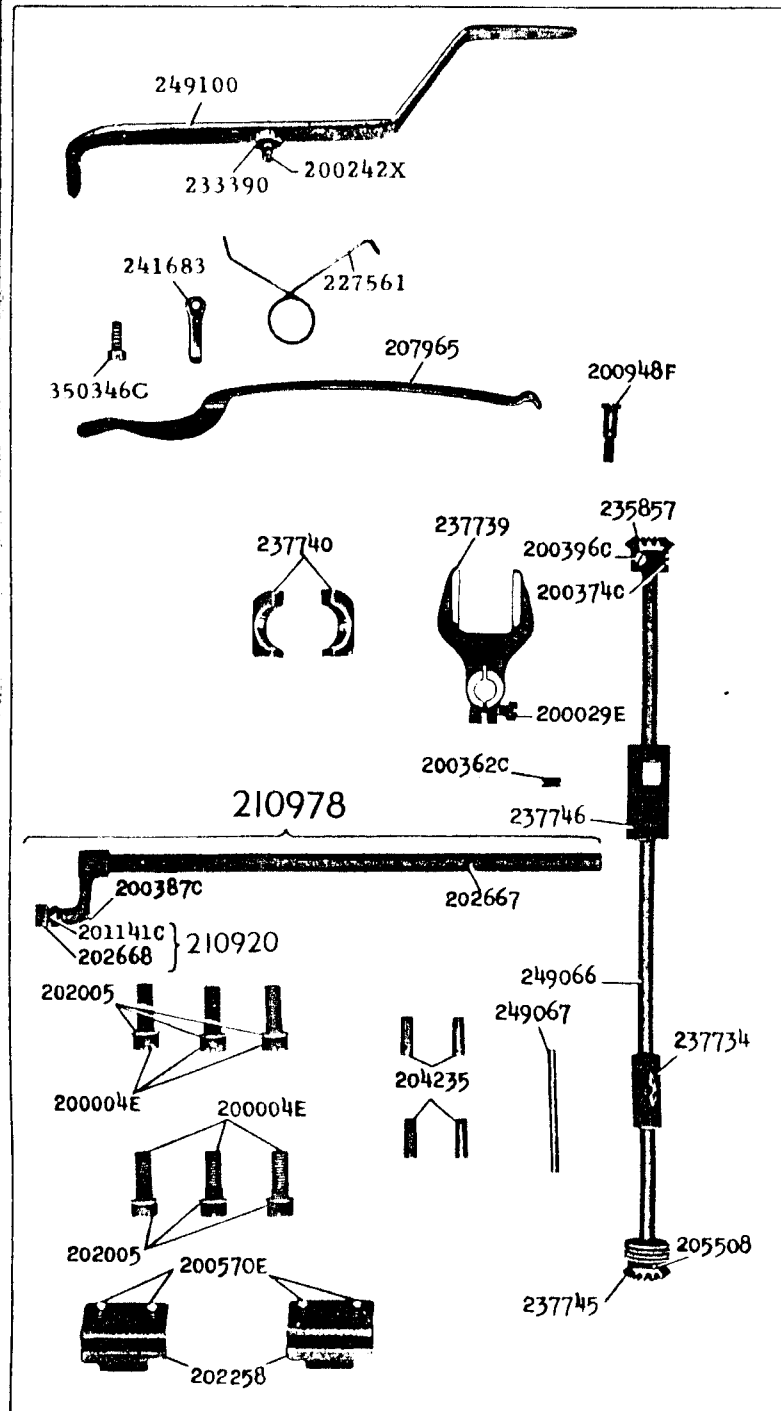
17328 - 1/2



17329 - 1/2



17330 - 1/4

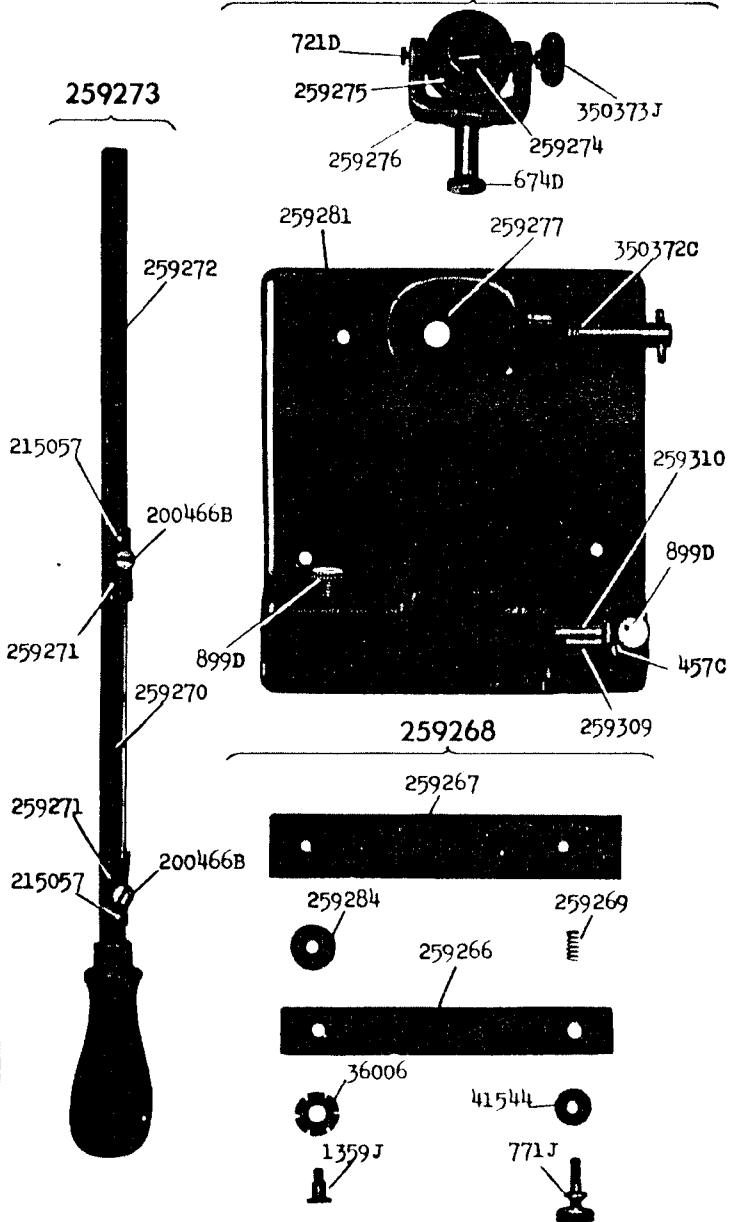


17640 - 1/3

259283

259282

259273



Free Manuals Download Website

<http://myh66.com>

<http://usermanuals.us>

<http://www.somanuals.com>

<http://www.4manuals.cc>

<http://www.manual-lib.com>

<http://www.404manual.com>

<http://www.luxmanual.com>

<http://aubethermostatmanual.com>

Golf course search by state

<http://golfingnear.com>

Email search by domain

<http://emailbydomain.com>

Auto manuals search

<http://auto.somanuals.com>

TV manuals search

<http://tv.somanuals.com>