

# **SINGER**

## **144W103**

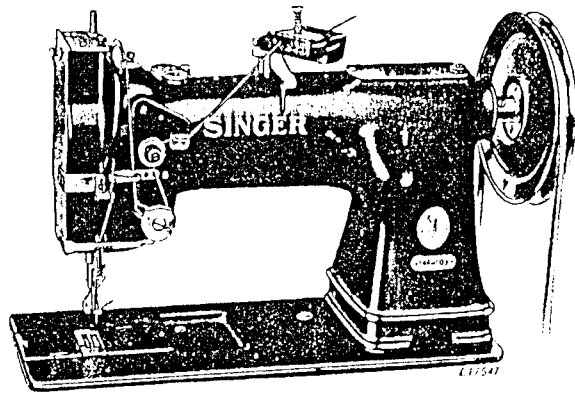
Form 2910W  
(947)  
Printed in U. S. A.

# SINGER

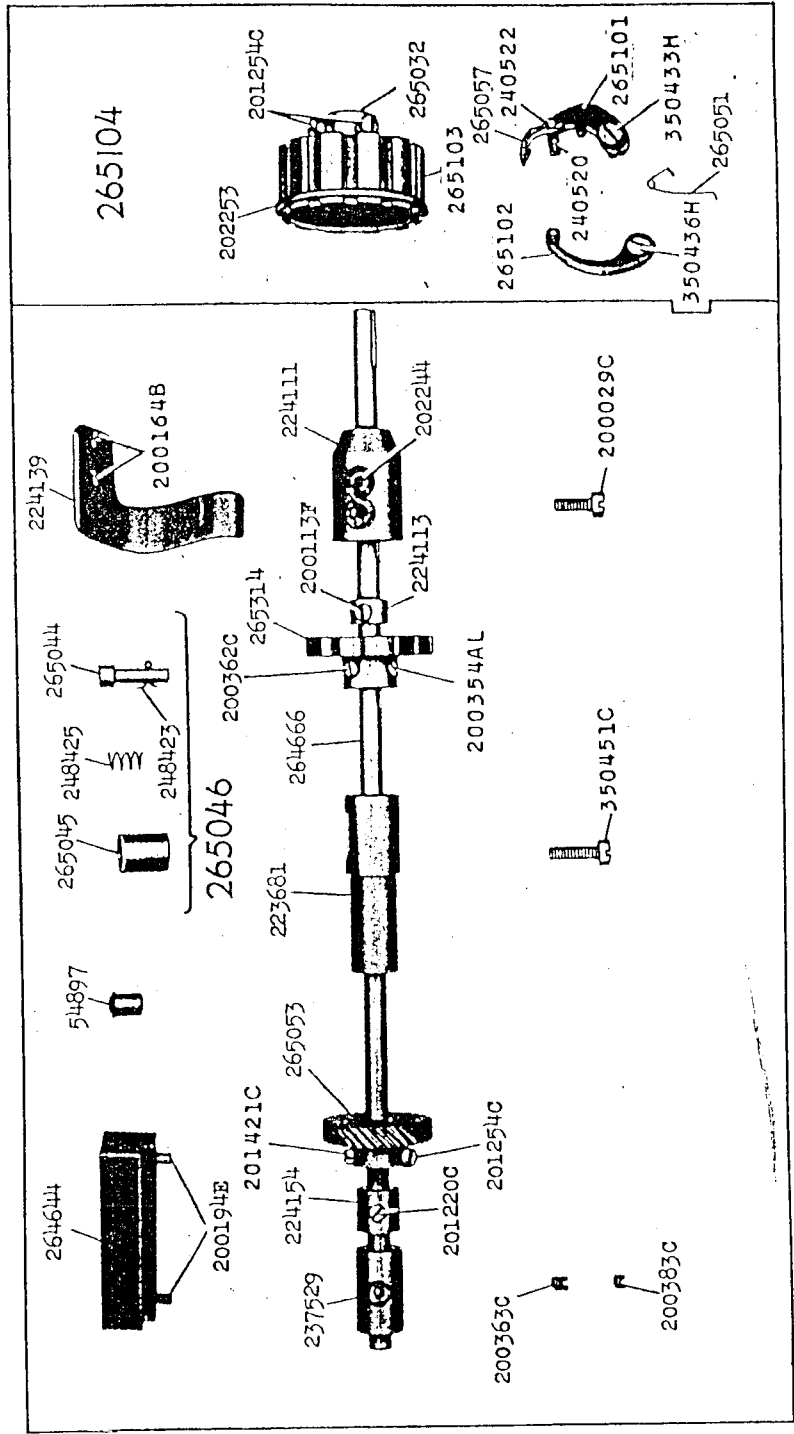
## 144w103



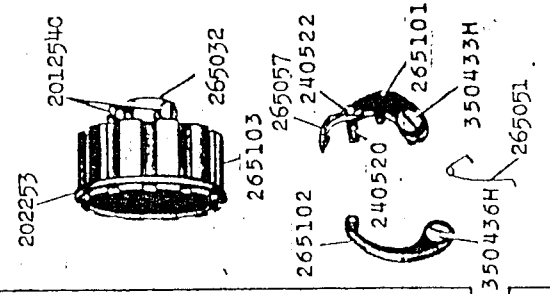
THE SINGER MANUFACTURING COMPANY



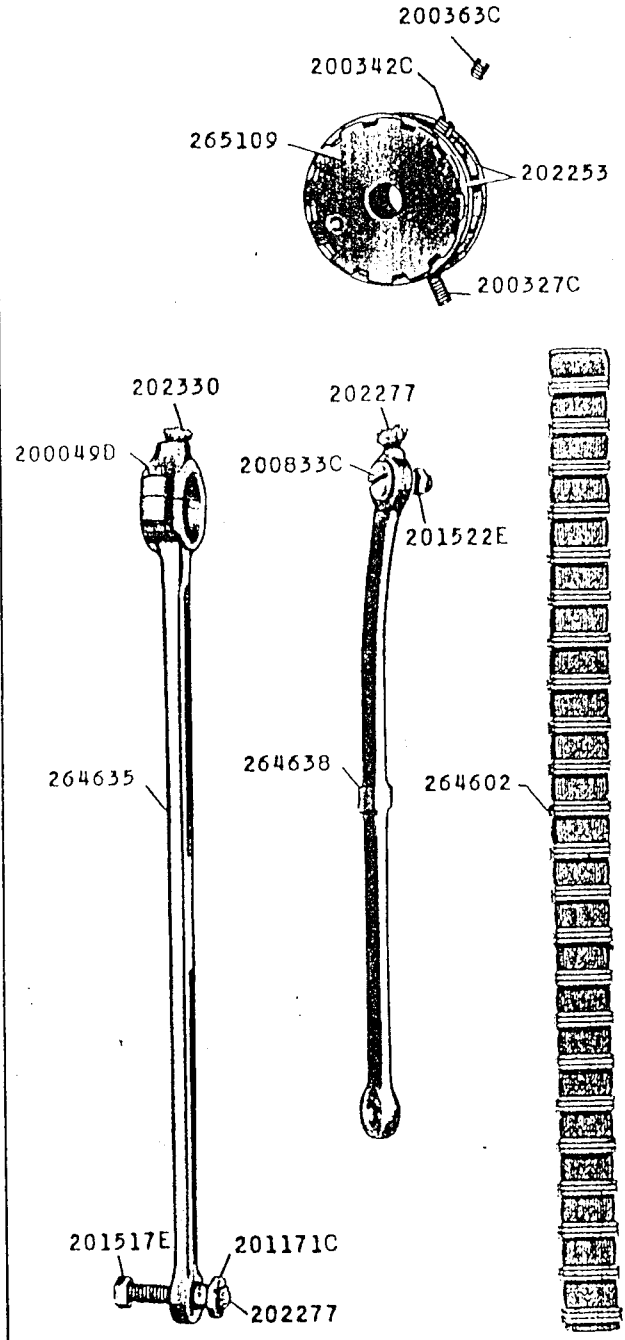
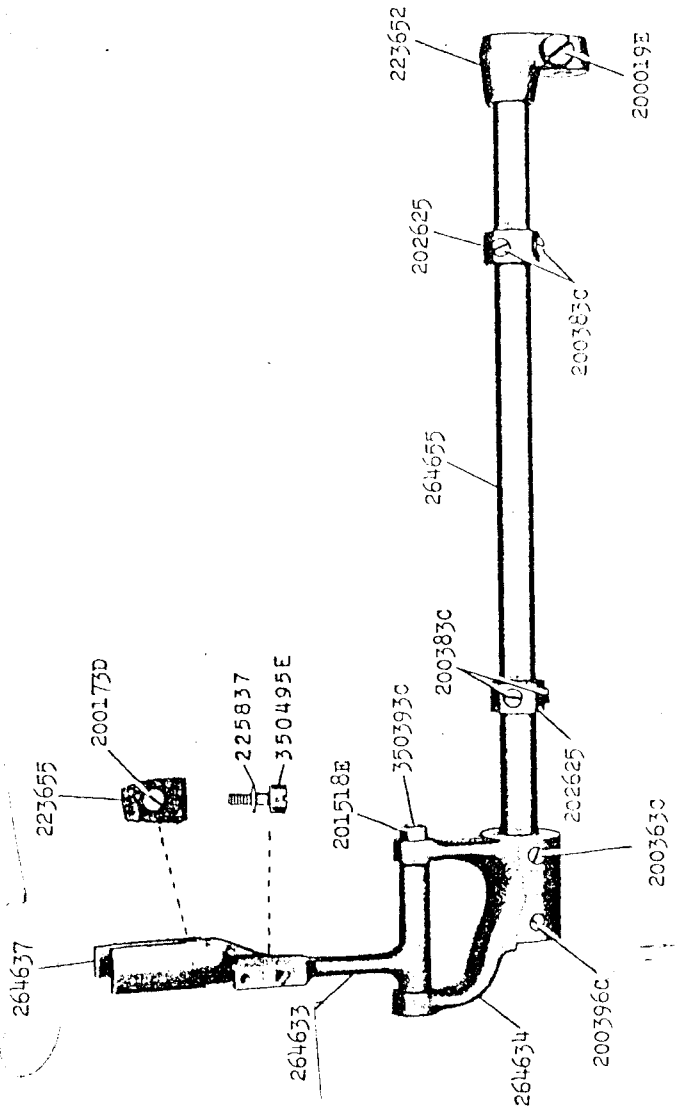
Copyright, U. S. A., 1940, 1946 and 1947  
by The Singer Manufacturing Co.  
All Rights Reserved for all Countries

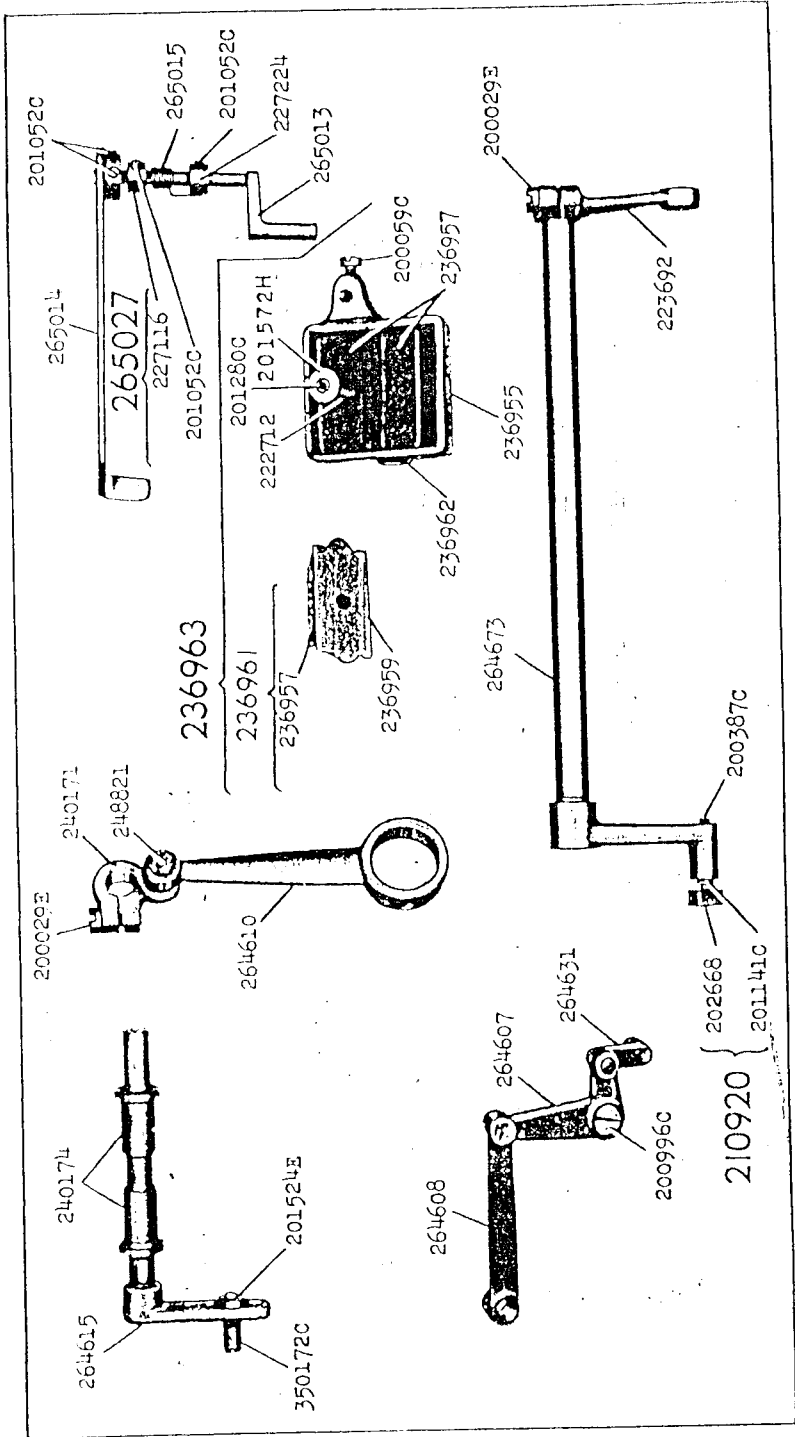
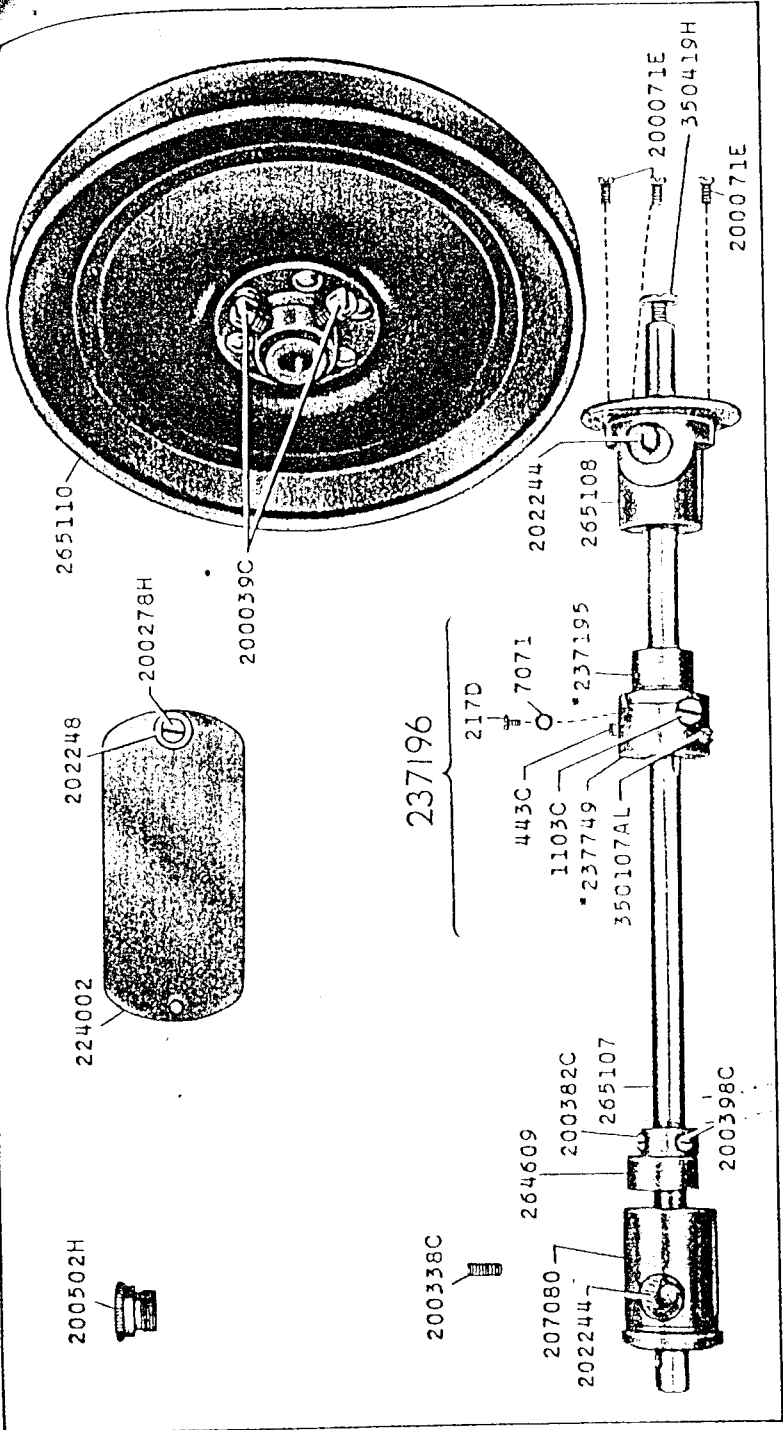


265104

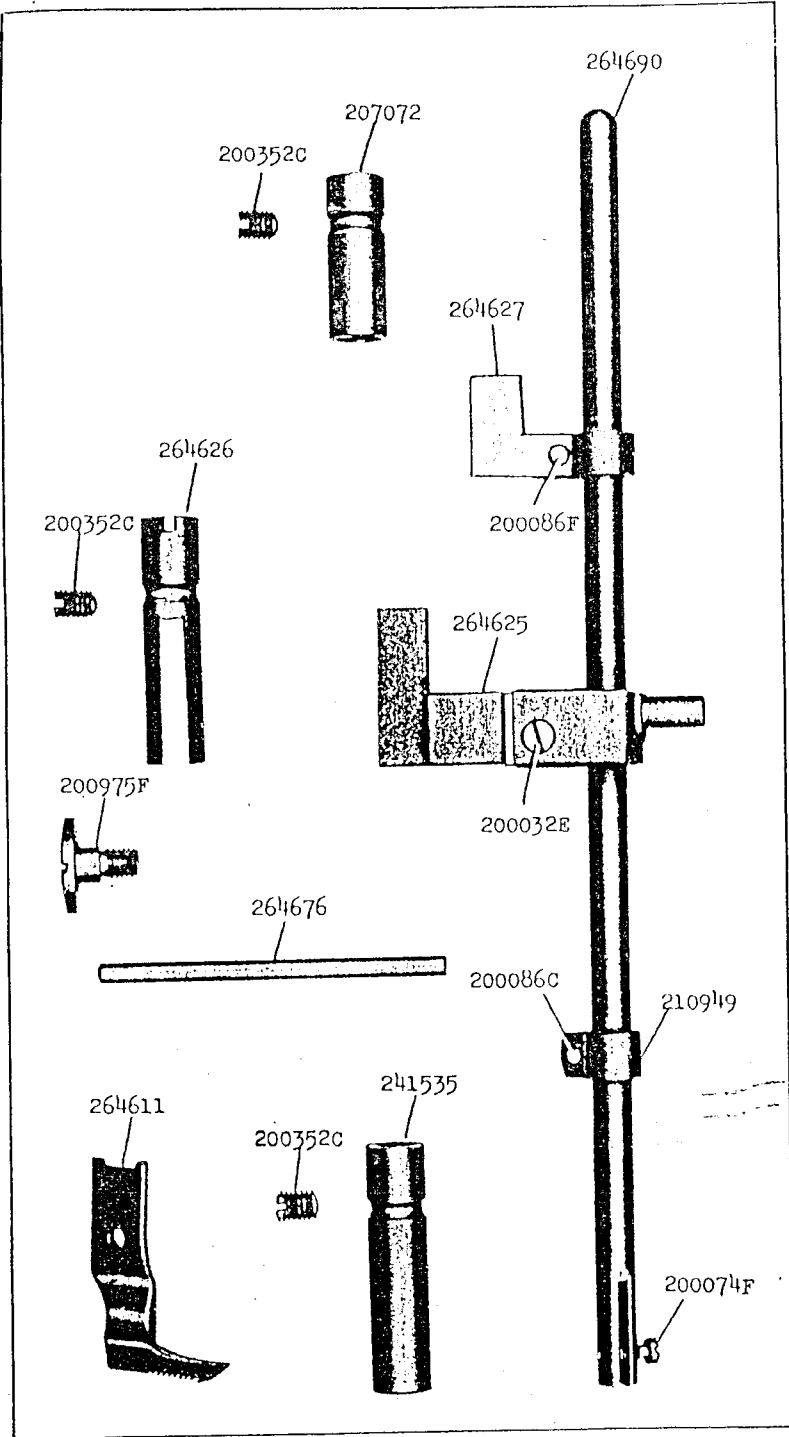


Coil Bar  
1612 0.1218

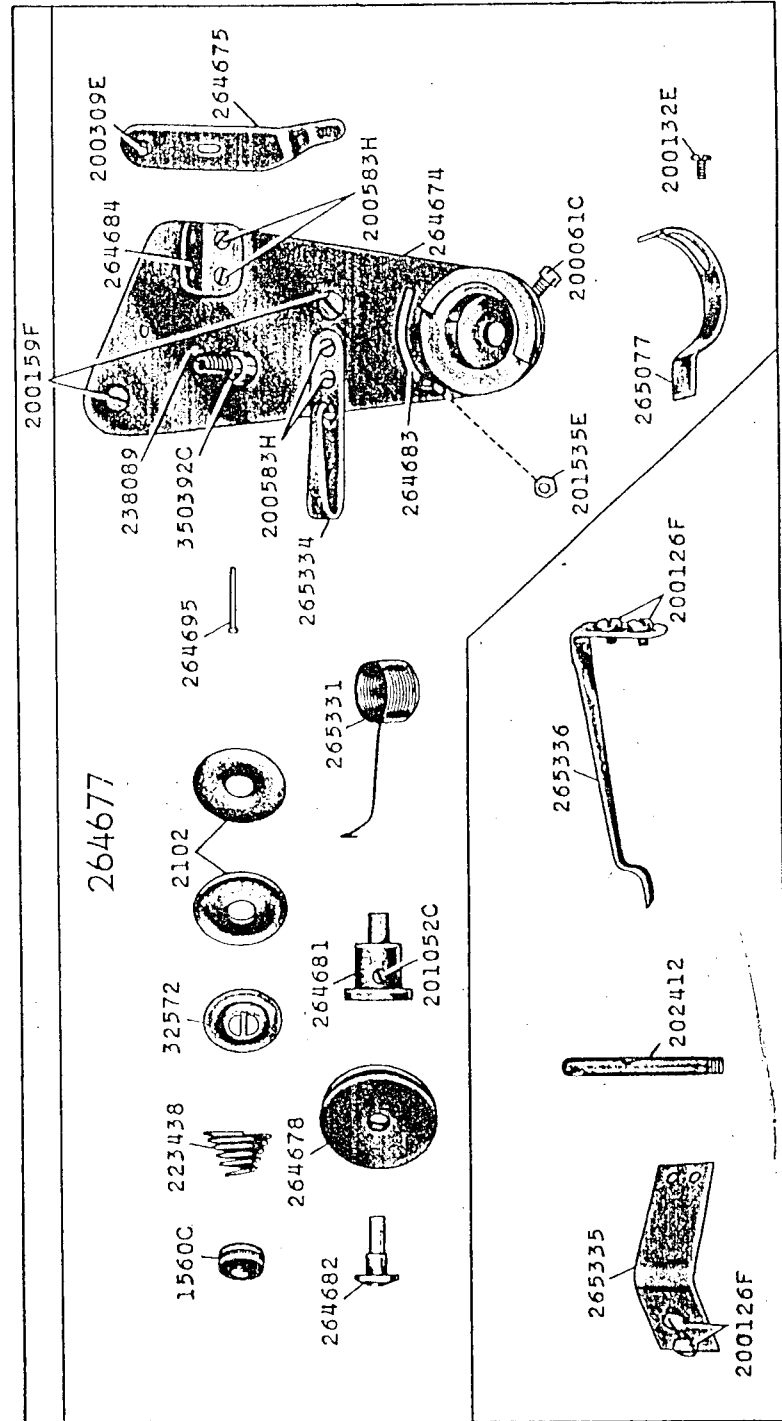


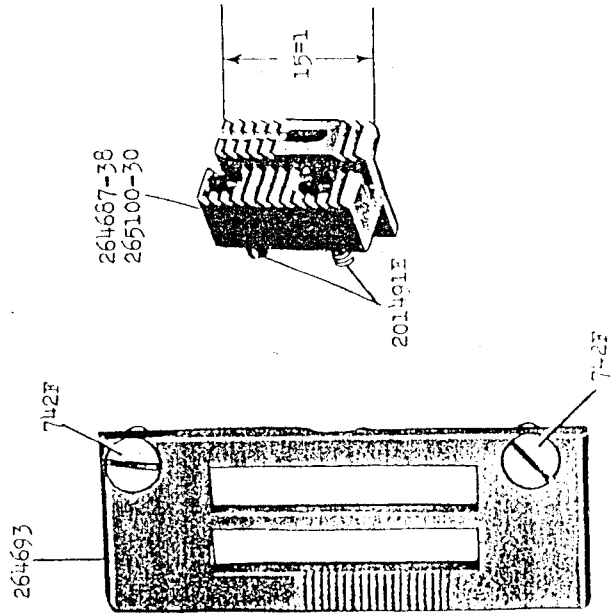


10131 - 3/8

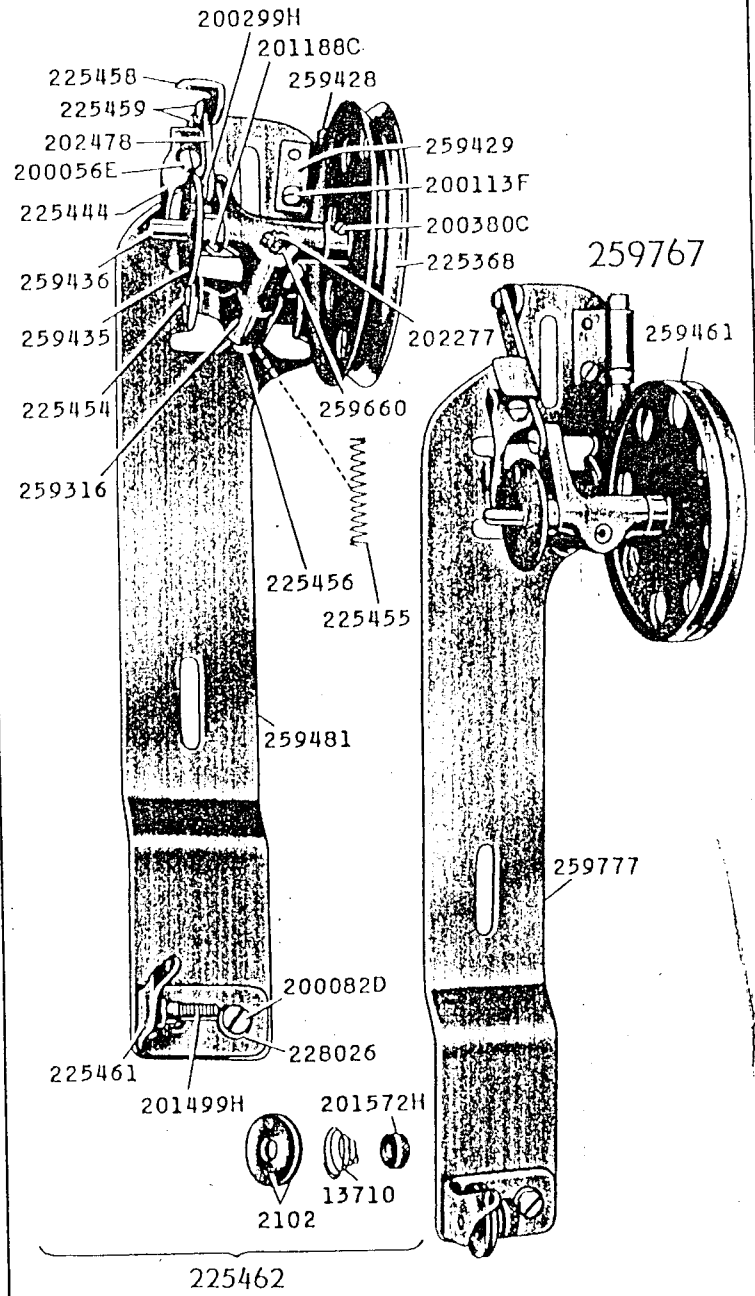


10517 - 1/2



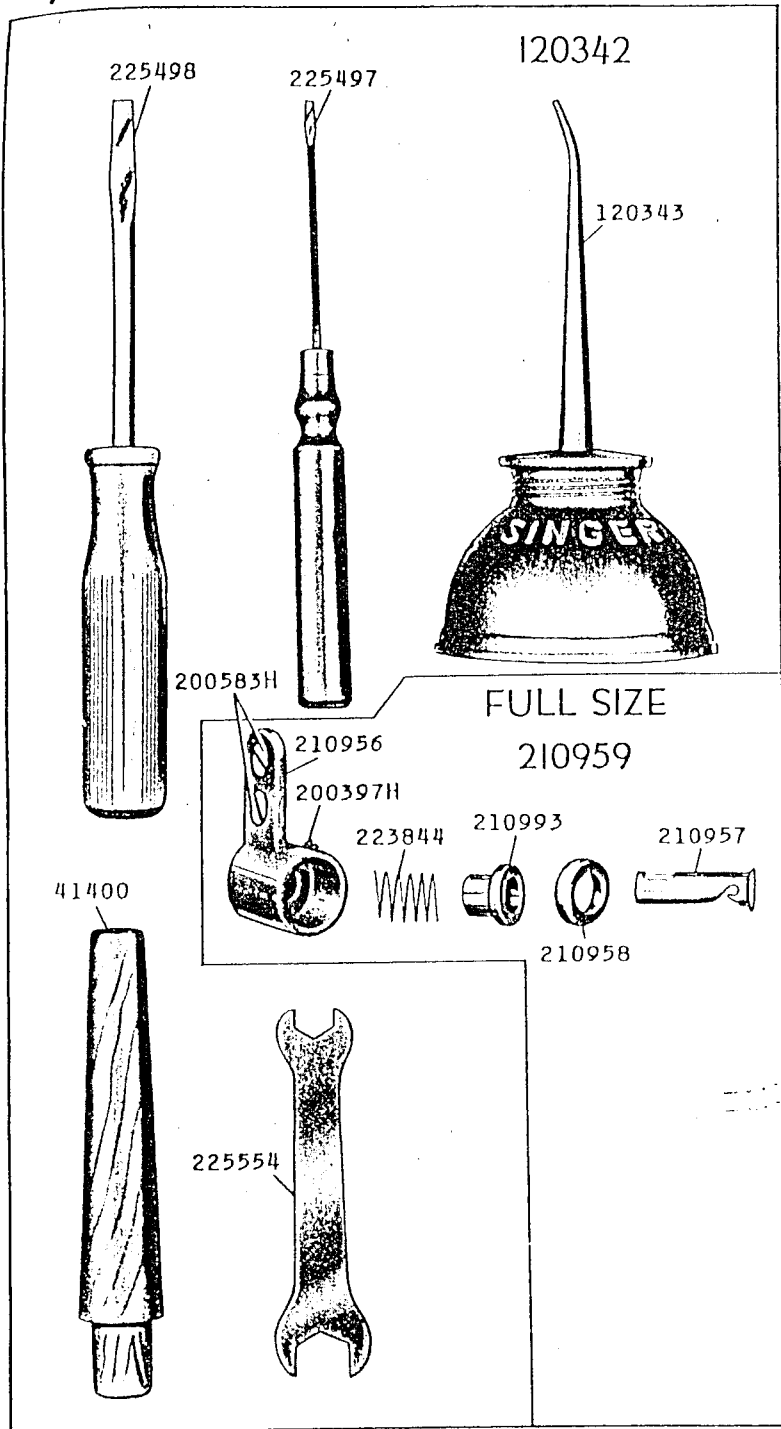


259482

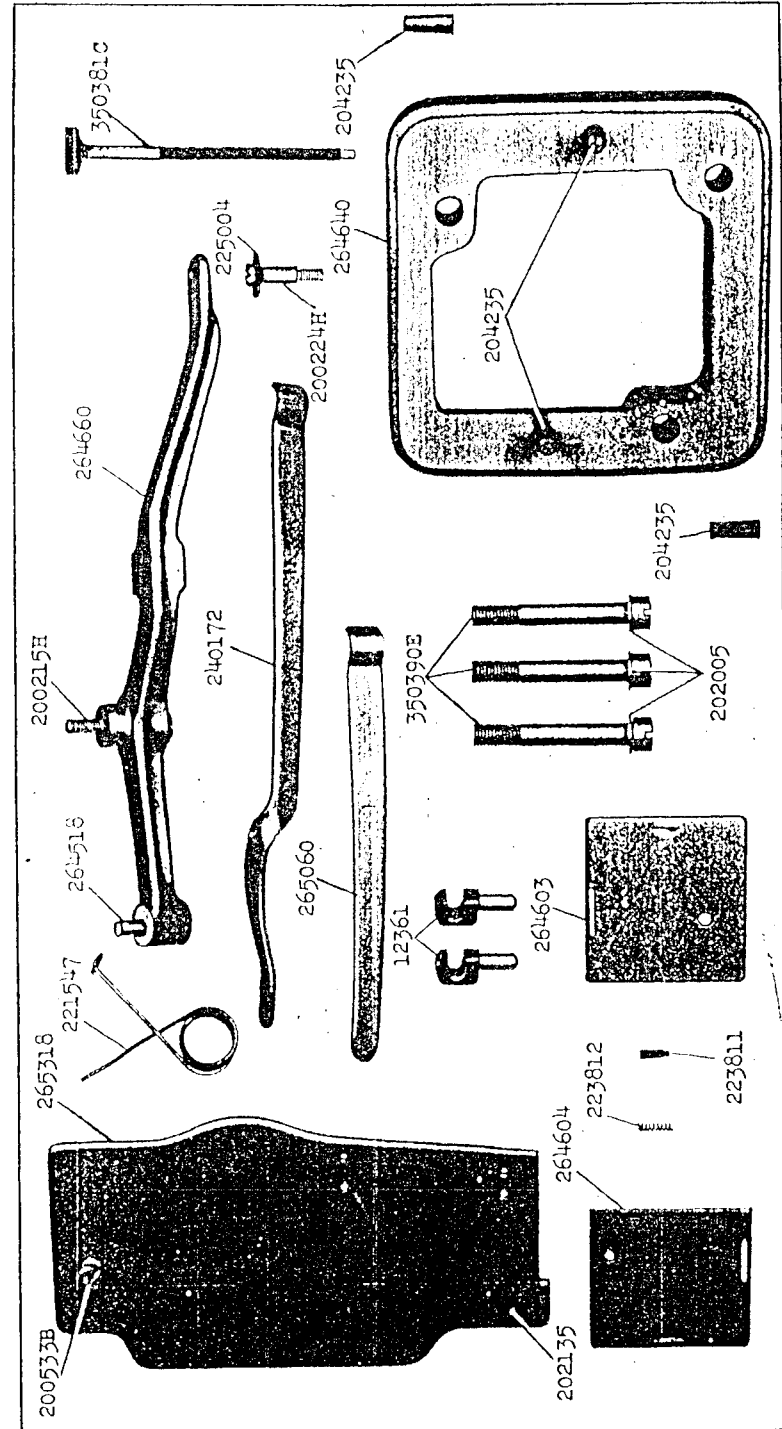


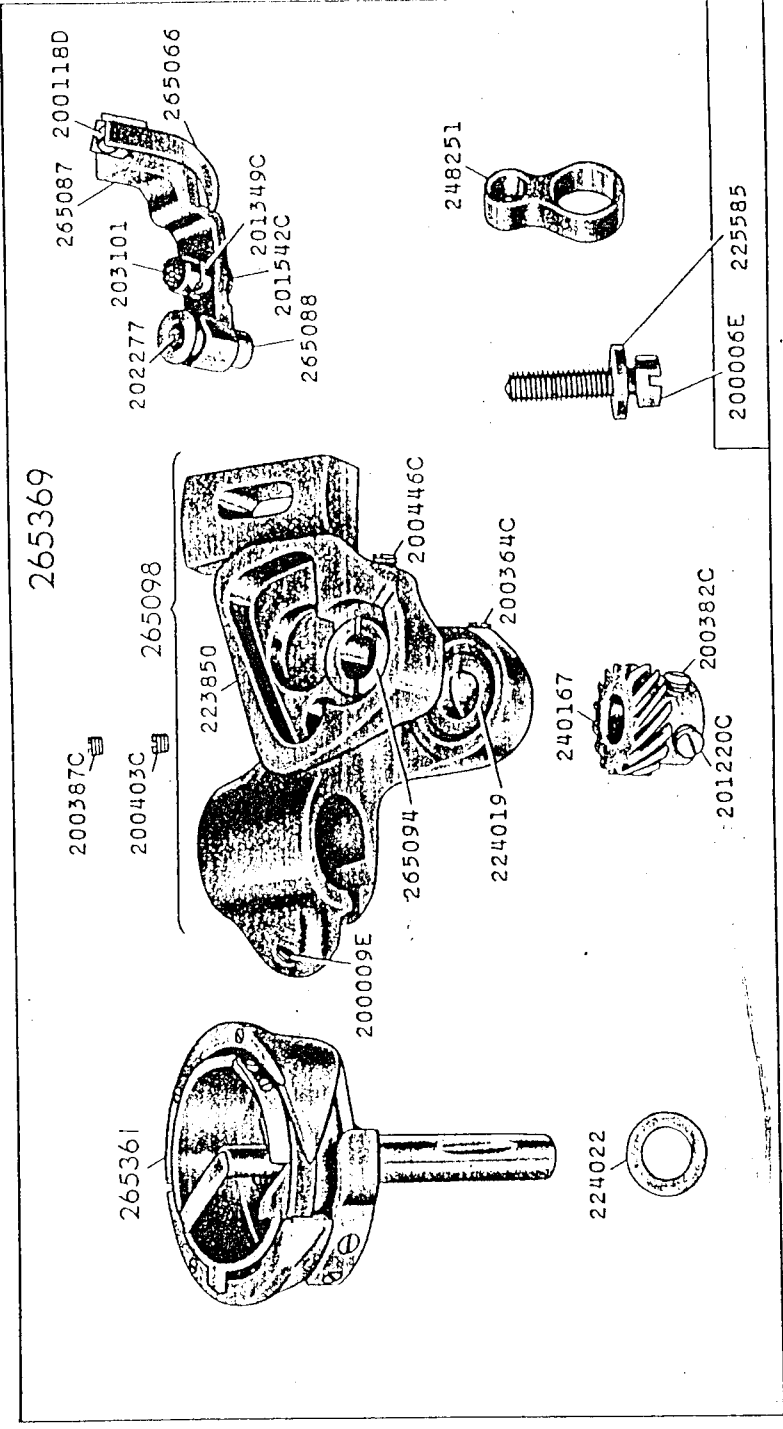
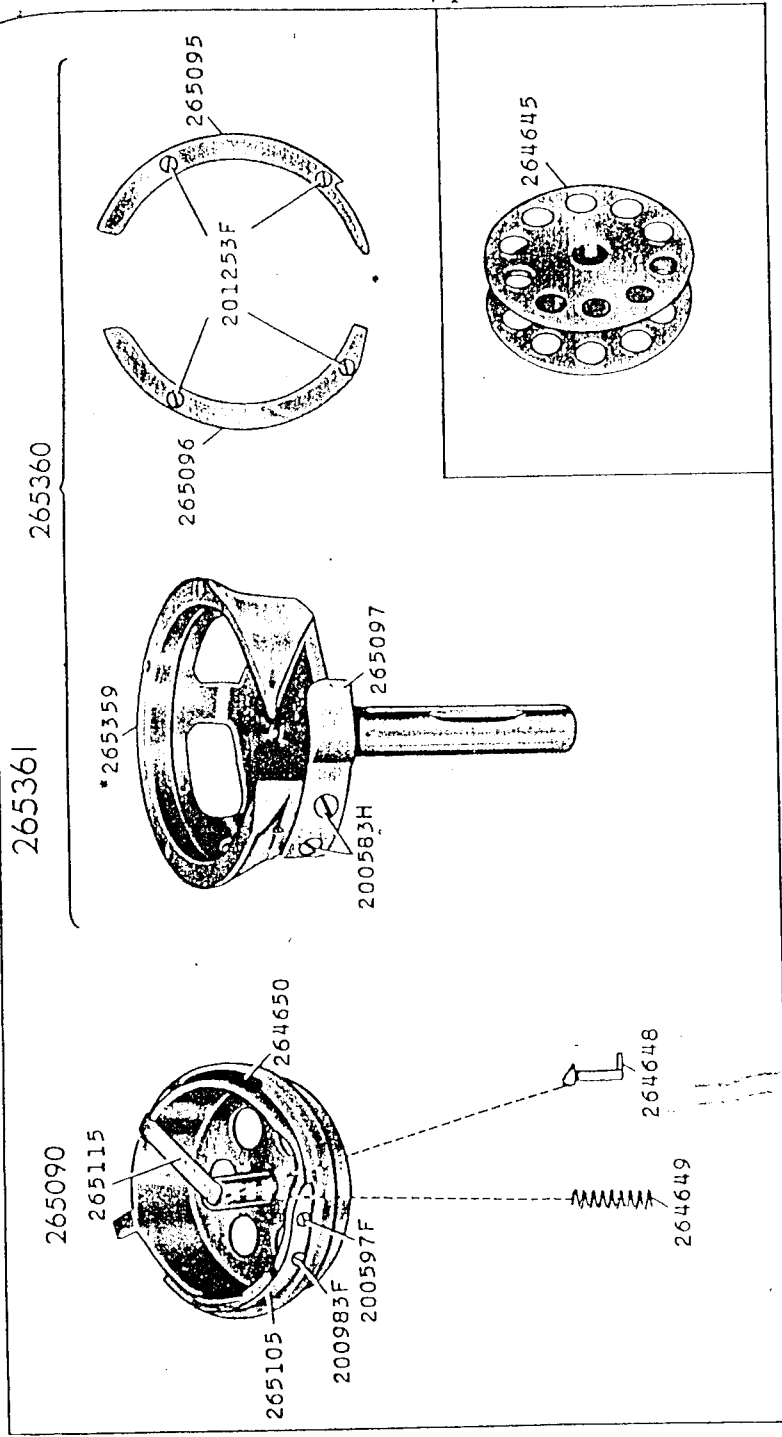


18511 - 1/2

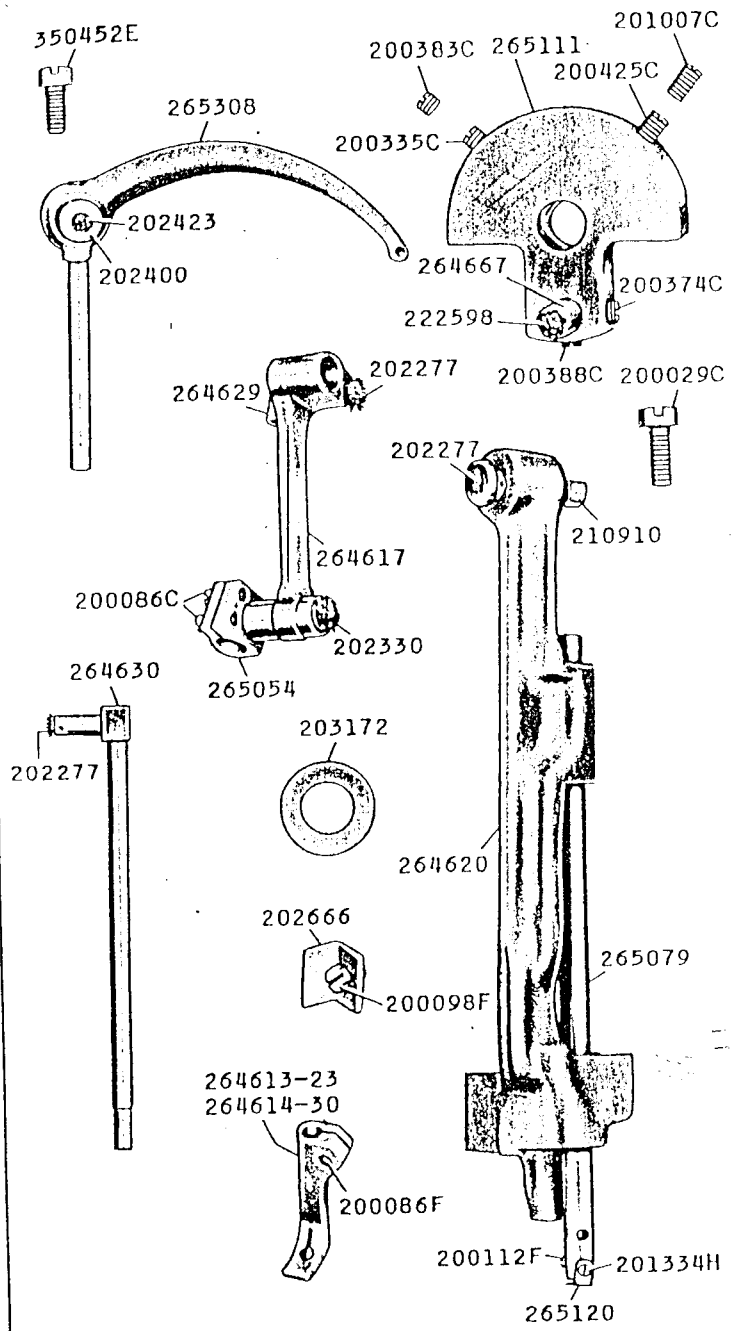


10133 - 1/3

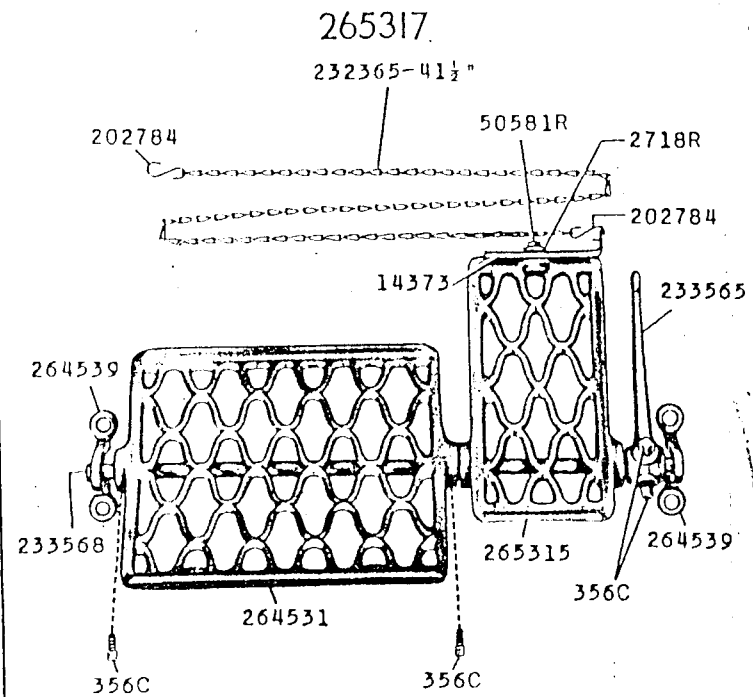
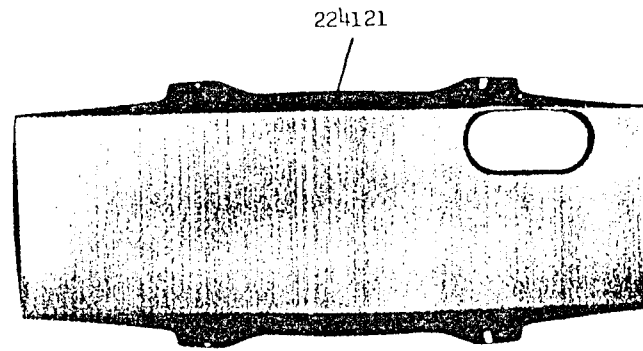




18506 - 1/2



10130 - 76



## Free Manuals Download Website

<http://myh66.com>

<http://usermanuals.us>

<http://www.somanuals.com>

<http://www.4manuals.cc>

<http://www.manual-lib.com>

<http://www.404manual.com>

<http://www.luxmanual.com>

<http://aubethermostatmanual.com>

Golf course search by state

<http://golfingnear.com>

Email search by domain

<http://emailbydomain.com>

Auto manuals search

<http://auto.somanuals.com>

TV manuals search

<http://tv.somanuals.com>