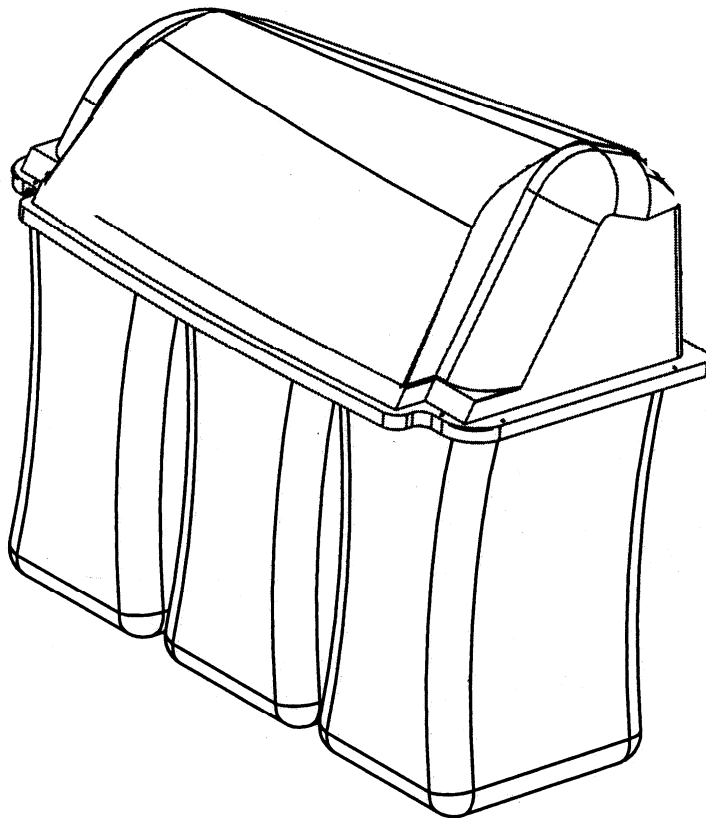


# Triple Bag Catcher

Kit No. 7600069 - 7600070

## Safety Instructions and Operator's Manual



Instruction Manual No. 7102356 (Rev. C, 06/04/2008)  
TP 200-5352-C-AT-N

# IMPORTANT SAFETY INSTRUCTIONS



## WARNING



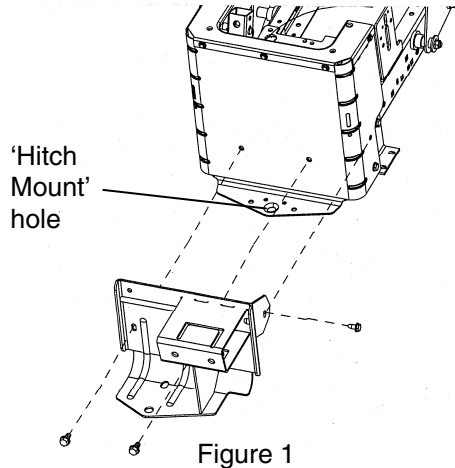
All safety instructions and operating instructions in the manuals provided with the Snapper Lawn Tractor and this Grass Catcher attachment must be followed. Read, understand, and follow ALL instructions and warnings in the Operator's Manual provided with the machine, with this attachment, and ALL instructions and warnings on the machine, engine and attachment. Failure to comply with ALL instructions and warnings can result in damage, serious injury or death to the operator or other persons.

- 1) **DO NOT** allow children or others in the yard when the machine is operated (even with the blades off).
- 2) **DO NOT** allow children or others to ride on the machine or attachment (even with the blades off).
- 3) **DO NOT** allow children to operate the machine.
- 4) **DO NOT** operate blades in reverse. **STOP** blades. **LOOK** and **SEE** behind and down for children, pets, and hazards before and while backing.
- 5) **DO NOT** operate machine without entire Grass Catcher and Bags installed.
- 6) **DO NOT** operate machine on slopes exceeding 10 degrees (18% grade) when equipped with grass catcher.
- 7) Exercise **EXTREME CAUTION** on all slopes. Turn blades off when traveling uphill. Use a slow speed and avoid sudden or sharp turns.
- 8) **DO NOT** operate machine across face of slopes. Operate up and down. Practice on slopes with blades off.
- 9) **AVOID** uphill starts. If machine stops going up hill or tires lose traction, turn blades **OFF** and back slowly straight down the slope.
- 10) **GRASS CATCHER COMPONENTS** are subject to deterioration during normal use. Inspect all components frequently for signs of wear and deterioration. Replace worn or damaged components immediately.
- 11) **DO NOT** leave machine with engine running. **STOP** engine, **STOP** blades, **SET** brake, and **REMOVE** key before leaving operator's position for any reason.
- 12) **DO NOT** attempt to remove or unclog the grass catcher with engine or blades running. Stop engine and blades and make sure all rotating components have come to a complete stop before removing any catcher component or attempting to unclog catcher or deck.
- 13) **DO NOT** operate machine with Catcher open. The catcher must be closed at all times, unless dumping grass bags. Stop blades before dumping grass catcher.

# Installation Instructions

## Install Bagger Mount

1) Remove three bolts – two on the rear of the tractor frame, and the top bolt on the right rear of the tractor frame. See Figure 1. The two rear bolts will be replaced with longer bolts supplied in the kit. Save the right bolt for re-installation.



2) Align the holes in the Bagger Mount Weldment (P/N 7400272A) with the holes in the tractor frame.

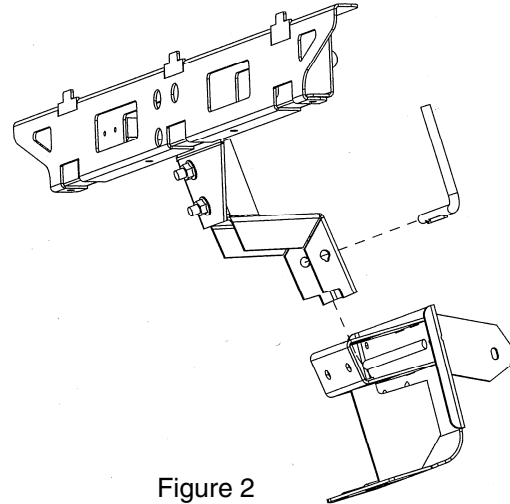
3) Install one bolt 1/2-13x1-1/4 (7091323, not shown) into the hole in the lower bagger mount and the tractor frame ('hitch mount' hole). See Figure 1. Secure with one hex nut 1/2-13 (7091544). Do not tighten hardware at this time.

4) Install two bolts 5/16-18x1-1/4 (1930595) into the rear of the tractor frame. These replace the two removed in Step 1. Secure with two flange hex nuts 5/16-18 (1927557). Also, re-install the right bolt into the right rear of the tractor frame.

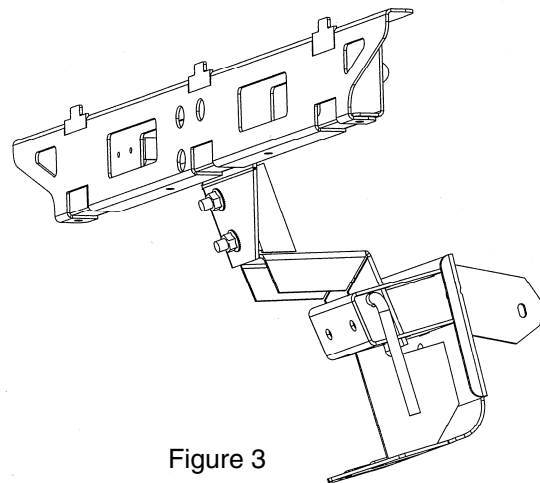
5) Tighten all hardware securely.

## Install Grass Bag Support

1) Align the lower U-shaped channel on the Grass Bag Support (7500994) with the U-shaped slot in the top of the Bagger Mount. Insert the channel support fully into the bagger mount. See Figure 2.

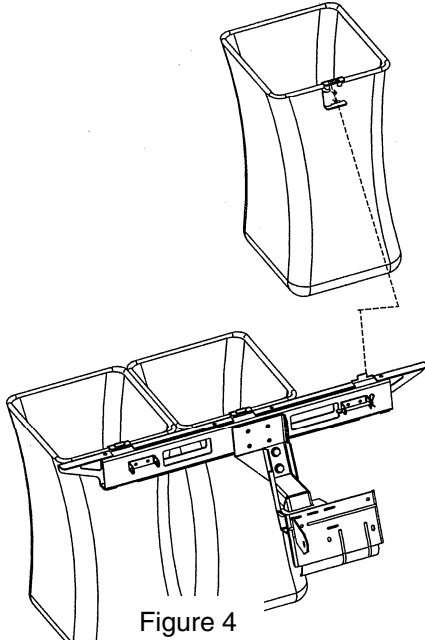


2) Secure the Grass Bag Support to the Bagger Mount with the Mounting Pin (M720527). Hold the pin with the leg up. Insert the Mounting pin fully into the Bagger Mount. Rotate the mounting pin so that the leg will be pointing down, locking the pin in place. See Figure 3.



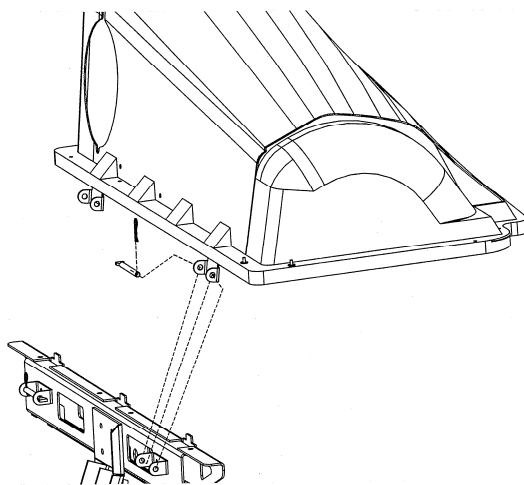
## Install Grass Bags

- 1) Align the slot on the hanger of the Grass Bag Assembly (7500995) with the tab on the grass bag support.
- 2) Insert the tab into the slot. Repeat for all three grass bags. See Figure 4.



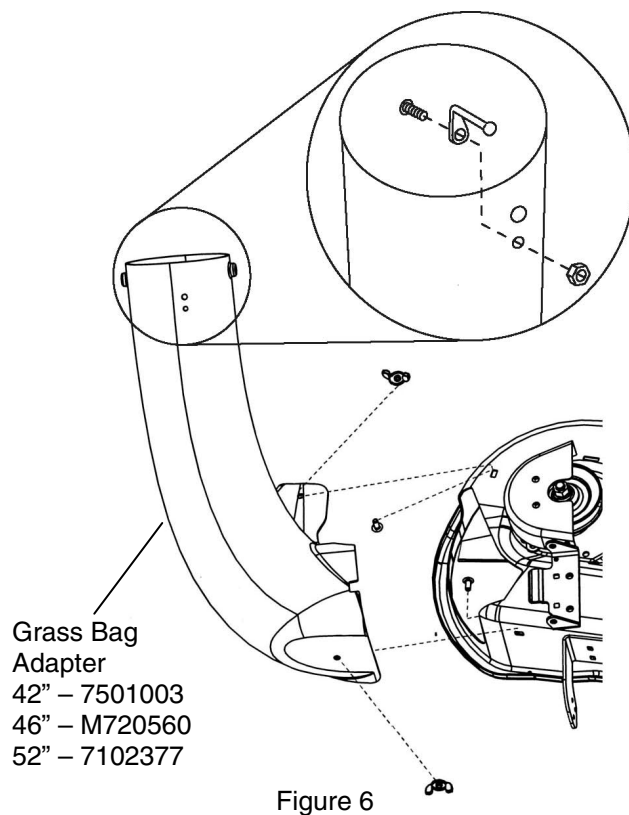
## Install Cover Assembly

- 1) Attach the Cover Assembly (7500996) to the Grass Bag Support. Insert one Hinge Pin (M720525) into each hinge, and secure with one Hair Pin (1960074). See Figure 5.
- 2) Lower the cover, and pull the latch down over the grass bag frame. The cover must be fully closed and latched.



## Install Grass Bag Adapter

- 1) 46" & 52" Models Only – Attach the Latch Pin (M720543) to the appropriate Grass Bag Adapter, using one carriage bolt 1/4-20x5/8 (1960252) and one center lock flange nut 1/4-20 (1930642). See Figure 6 (inset).
- 2) The Grass Bag Adapter attaches to the deck using two bolts and two wing nuts, provided with the kit. See Figure 6. Note – some model tractors will already have the bolts installed in the deck. You can use them to attach the grass bag adapter.



- 3) Lift the discharge deflector. Align the two holes in the grass bag adapter with the holes in the deck. Note - do not remove the discharge deflector.
- 4) Insert two carriage bolts 5/16-18x1-1/4 (1960223) from inside of deck. Note - insert forward carriage bolt first. Secure with two wing nuts 5/16-18 (M720125). Tighten wing nuts securely.

## Install Upper Elbow Tube and Middle Grass Tube

1) Slide the upper elbow tube (1733885) into the cover, aligning the ridges with the notches in the cover opening. The opening of the elbow tube must face towards the center of the catcher. See Figure 7.

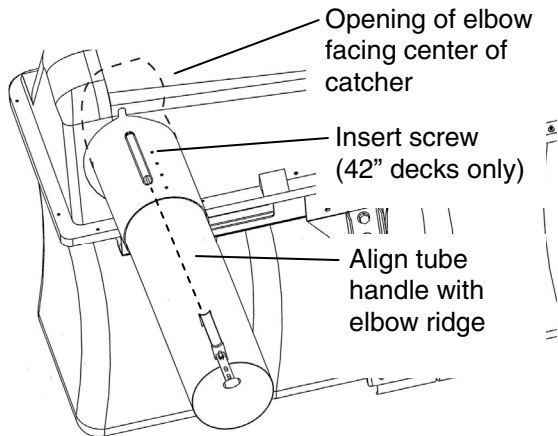


Figure 7

2) Slide the clear middle tube into the upper elbow tube. The handle on the middle tube must be in line with the top ridge on the elbow tube. See Figure 7.

**Note:** For 42" decks, align the hole in the clear tube with the hole nearest the elbow in the upper tube, and secure with supplied screw. See Figure 7.

3) Slide the middle tube down over the grass bag adapter. Pull the rubber strap and place the hole in the strap completely over the latch pin, securing the middle tube to the grass bag adapter. See Figure 8.

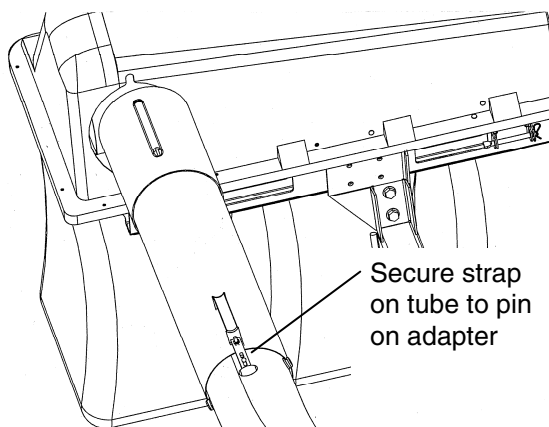


Figure 8

## Install Baffles on 52" Deck (Not required on other size decks)

1) Position the left deck baffle (7400267A) and right deck baffle (7400268A) on the front inside surface of the 52" deck. Align the holes and insert carriage bolts (M720053) with the threaded portion sticking out. Install nuts (7090585) onto the carriage bolts. Tighten securely. See Figure 9.

Note – some hardware securing the front roller and gauge wheels will have to be removed to install the baffles.

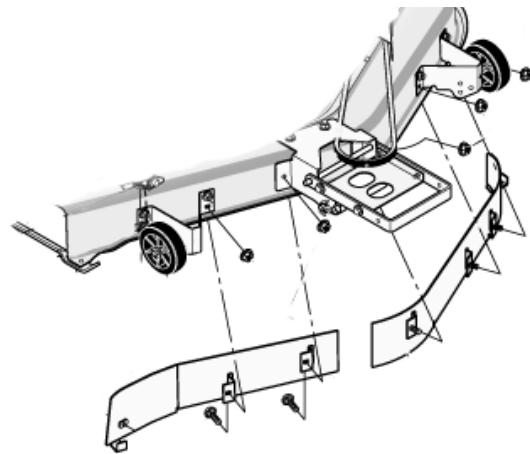


Figure 9

# Operation and Maintenance Instructions

## INTRODUCTION:

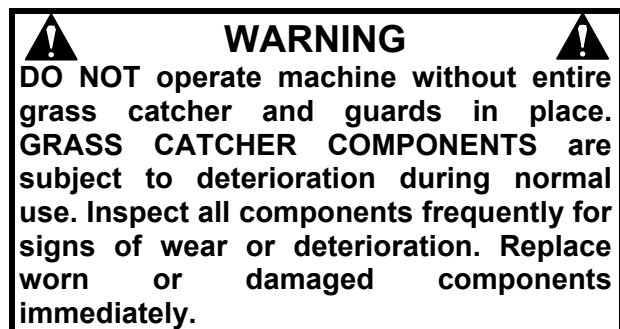
Follow operation and maintenance instructions in the Operator's Manual provided with the Snapper Lawn Tractor.

## GRASS CATCHER OPERATION

- 1) Select desired cutting height. Choose a setting that will not attempt to cut off too much at once, overloading the machine.
- 2) After starting engine and allowing a brief warm up period, move engine speed control to highest setting.
- 3) Drive machine to cutting area. Engage blades.
- 4) Select a slow forward ground speed until familiar with conditions. Do not select a speed that is too fast, causing the machine to become overloaded.
- 5) The weight of the grass catcher and contents will affect the stability and handling of the machine. Avoid sudden starts and sharp turns. Reduce speed on slopes, and DO NOT operate machine on slopes exceeding 10 degrees (18% grade). Operate machine up and down slopes. DO NOT operate machine across the face of slopes. Turn blades off when traveling up slope.
- 6) Empty grass catcher often to minimize effect on stability and handling. Over filling the catcher will reduce performance and cause clogging of the tube, adapter and deck.
- 7) Do not operate the machine with the Grass Catcher open. The entire Grass Catcher including grass bags must be installed, the catcher closed and latched properly before operating.



## EMPTYING GRASS CATCHER

- 1) Empty Grass Catcher often to avoid overfilling. Overfilling the grass bags reduces performance and causes clogging of tube, adapter and deck.
- 2) Turn blades off. Drive machine to location the clippings are to be dumped. DO NOT operate blades in reverse. If you must back machine to dump clippings in desired location, LOOK and SEE behind and down for children, pets and hazards before and while backing.
- 3) Shift transmission to Neutral (N). Engage Park Brake. Stop engine. Remove key.
- 4) Unlatch and open the catcher cover. One at a time, lift grass bag up and off of the tab on the grass bag support.
- 5) After dumping, to maintain peak performance, check the catcher screen located on the inside of the Cover Assembly to make sure it is clean and free of any build up. Clean as required with brush or broom. Reinstall all three grass bags.
- 6) Close catcher. Push down firmly to ensure the cover is fully closed and is properly latched.
- 7) Re-start engine and drive machine to cutting area. Set engine speed to highest setting, engage blades and resume operation.



## **IF THE GRASS CATCHER BECOMES CLOGGED**

The grass catcher may become plugged if the conditions are too severe, the catcher is overfilled, or the machine is used improperly. If plugging does occur, attempt the following:

 <b>WARNING</b> 
<b>DO NOT attempt to remove any clogs from deck, adapter, or tube with engine or blade running. STOP engine. STOP blade. Engage parking brake. Remove key. Make sure blade and all rotating components have come to a complete stop before removing or unclogging any catcher component.</b>

- 1) Empty catcher more often.
- 2) Clean screen on Rear Cover Assembly.
- 3) Ground speed too fast – cut at slower speed.
- 4) Removing too much grass – raise cutting height, cut partial width, and cut lawn more frequently.
- 5) Grass is too wet from rain or dew – allow grass to dry.
- 6) Blades are dull or worn – inspect blades and replace as necessary. Use only genuine SNAPPER replacement blades.
- 7) Mower equipped with incorrect blade. Contact your local SNAPPER dealer for assistance in choosing the correct blade for your application.
- 8) Deck, adapter, or tube has clipping build up – clean all clippings from all internal surfaces.

## **GRASS CATCHER MAINTENANCE**

Grass Catcher components are subject to wear and deterioration during normal usage. Inspect all components frequently for signs of wear and deterioration. Replace worn or damaged components immediately.

### **BEFORE EACH USE**

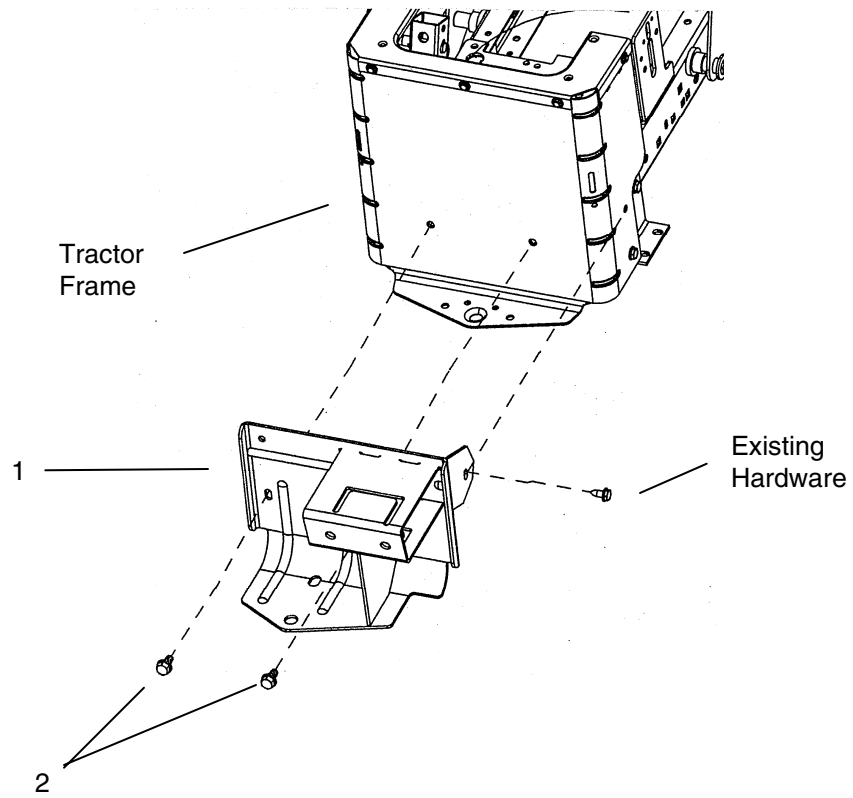
- 1) Inspect all Catcher components. Replace all worn or damaged parts.
- 2) Clean grass build-up from deck, adapter, grass tube, covers and rear cover screen. To maintain peak performance make sure screen is clean at each dumping.
- 3) Inspect blades for wear or damage. Replace as needed.
- 4) Perform pre-start check list and maintenance as instructed in the SNAPPER Lawn Tractor Operator's Manual and Engine Owner's Manual included with the machine.



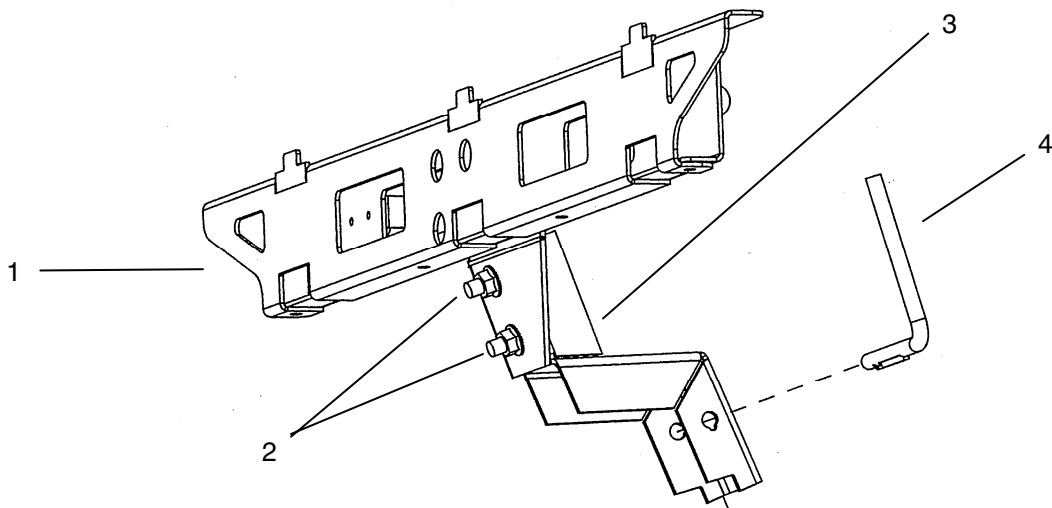


# Parts Manual

## Bagger Mount



## Grass Bag Support



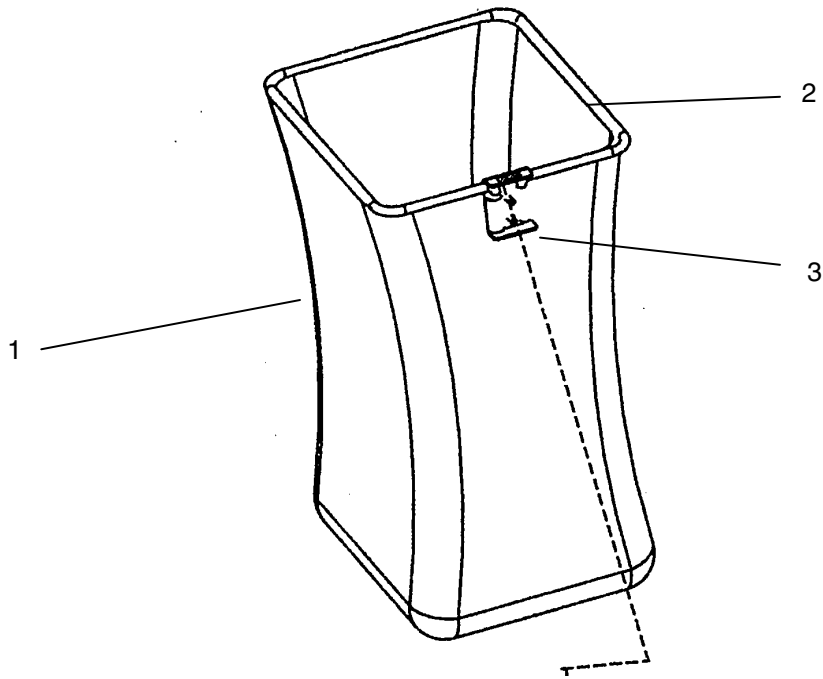
### BAGGER MOUNT

1	7400272A	WELDMENT, MOUNT, GRASS CATCHER	1
2	1930595	BOLT – WHIZ LOCK 5/16-18 X 1-1/4	2
--	1927557	NUT – HEX FLANGE 5/16-18 WHIZ LOCK	2
--	7091323	HEX FLANGE BOLT, 1/2-13 X 1-1/4	1
--	7091544	HEX FLANGE NUT, 1/2-13	1

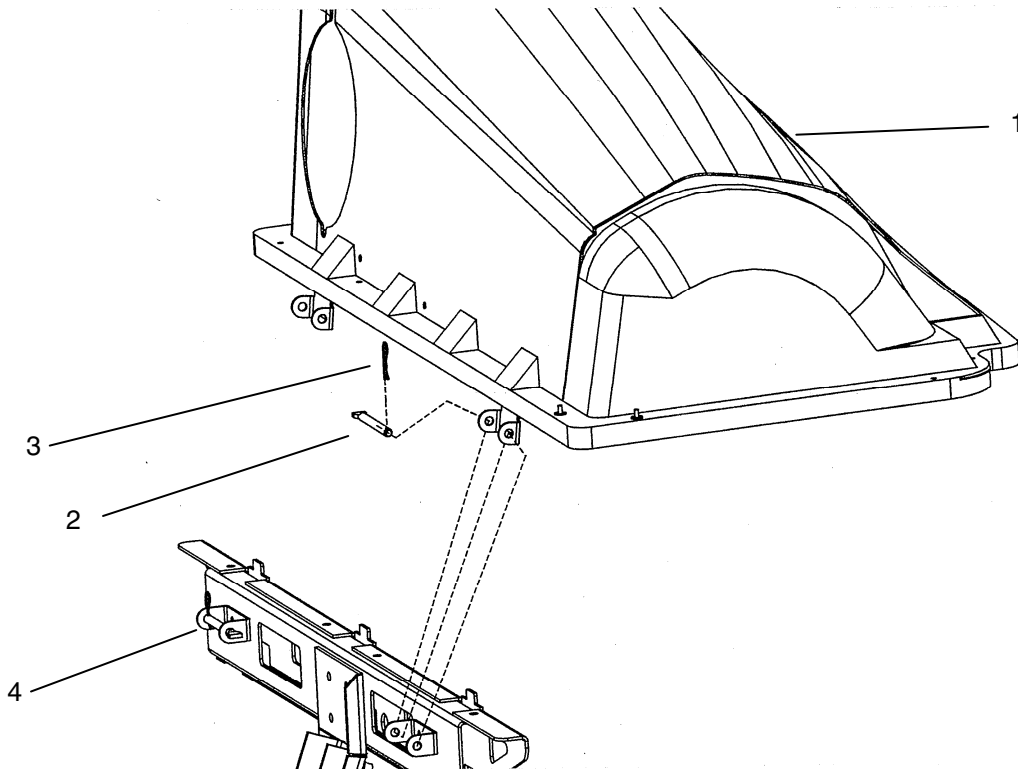
### GRASS BAG SUPPORT

1	7500994	ASSEMBLY, GRASS CATCHER SUPPORT	1
2	7091323	HEX FLANGE BOLT, 1/2-13 X 1-1/4	2
--	7091544	HEX FLANGE NUT, 1/2-13	2
3	7300957A	ARM, SUPPORT, TRIPLE GRASS CATCHER	1
4	M720527	PIN, CHANNEL MTG, GRASS CATCHER	1

## Grass Bag Assembly



## Cover Assembly



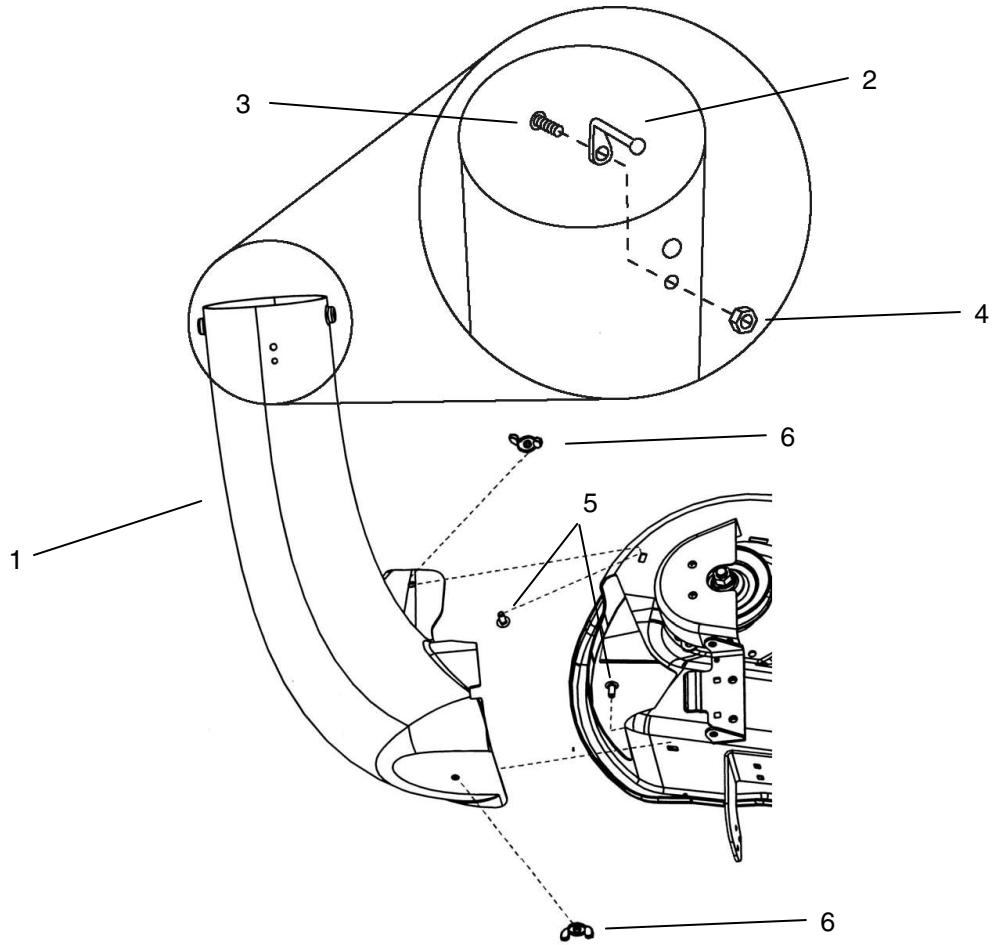
### GRASS BAG ASSEMBLY

1	1733695	BAG, GRASS CATCHER, CLOTH	3
2	1733517	HOOP - BAG TRIPLE	3
--	1733709	TUBE, CLIP, GRASS BAG	3
3	1703807A	HANGER, GRASS BAG	3
--	1672023A	CLAMP, GRASS BAG	3
--	1931333	CARRIAGE BOLT, 5/16-18 X 3/4	6
--	1917356	LOCKWASHER, SPRING 5/16	6
--	1917372	NUT - HEX 5/16-18 NC-2B	6

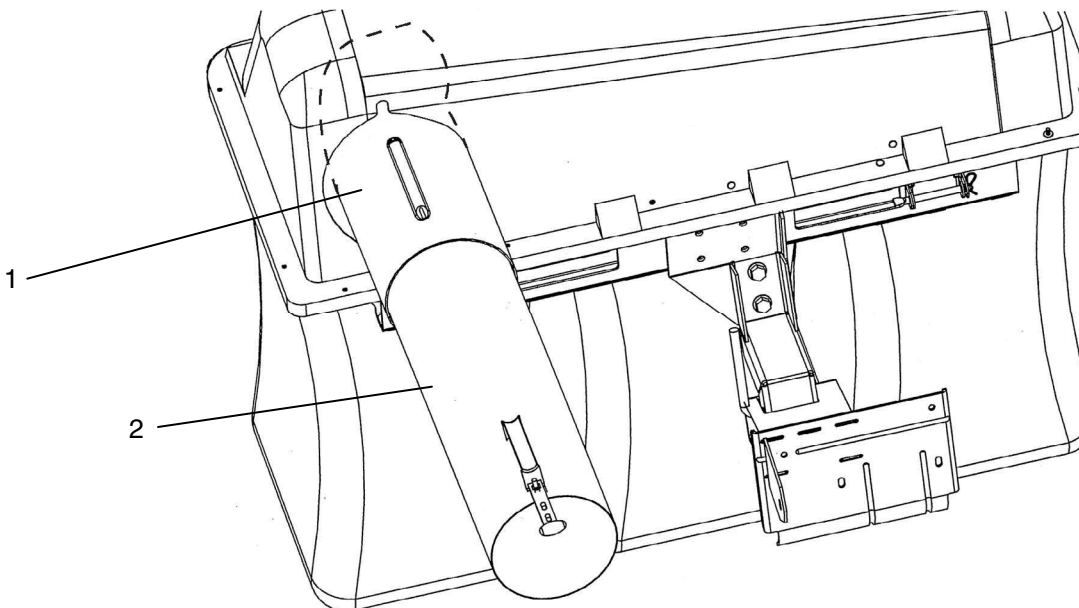
### COVER ASSEMBLY

1	7500996	ASSEMBLY, COVER AND HANDLE, GRASS CATCHER	1
--	1733546	COVER ASSY - TRIPLE	1
--	M720537	HANDLE, COVER	1
--	1960404	SCREW, TRUSS HEAD PHILLIPS, #10-24 X 3/4	2
--	1933896	NUT, HEX LOCK 10C W/ NYL INSERT	2
2	M720525	PIN, COVER HINGE	2
3	1960074	CLIP, HAIR PIN	2
4	1733504A	PIVOT, HINGE	2
--	1925003	HEX WASHER HEAD SCREW - TAPTITE 1/4-20 X 1/2	4

## Grass Bag Adapter



## Grass Tube Assembly



## GRASS BAG ADAPTER

1	M720551	42" BAGGER BOOT	1
1	M720560	46" BAGGER BOOT	1
1	7102377	52" BAGGER BOOT	1
2	M720543	PIN, LATCH	1
3	1960252	CARRIAGE BOLT, 1/4-20 X 5/8	1
4	1930642	NUT – CENTER LOCK FLANGE 1/4-20	1
5	1960223	CARRIAGE BOLT	2
--	7011791	BOLT RETAINER, 5/16- BLACK	2
6	M720125	NUT, 5/16-18 WINGNUT	2

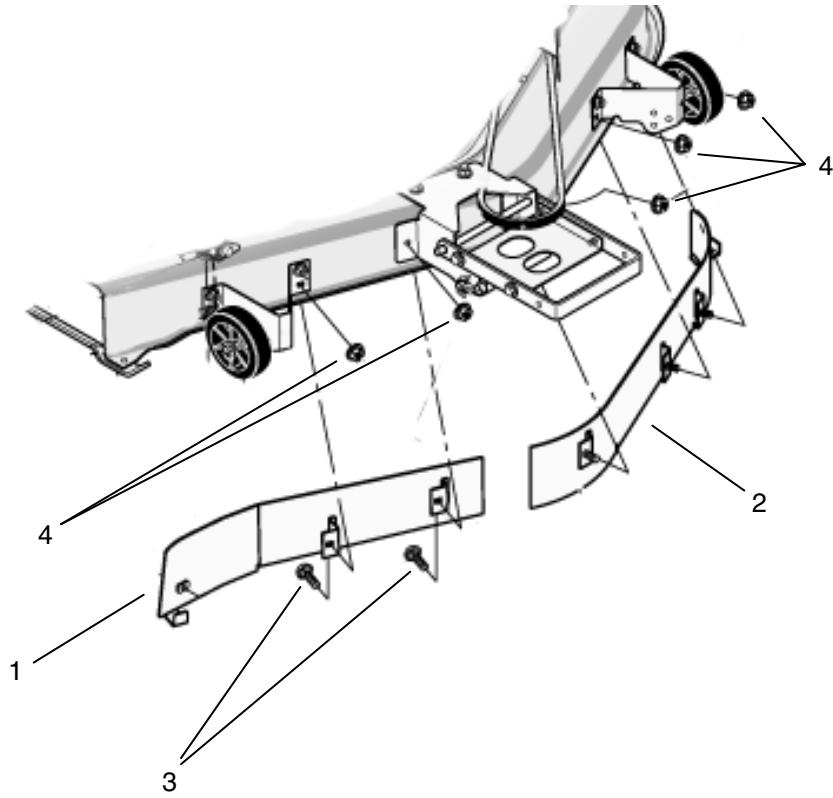
## GRASS TUBE ASSEMBLY – 42"

1	1733885	ELBOW - UPPER TUBE	1
2	7500993	ASSEMBLY, TUBE, CENTRAL	1
--	1734299	TUBE, GRASS CATCHER, CLEAR POLY	1
--	2171600	STRAP - RUBBER	1
--	M720533	HANDLE, TUBE, GRASS CATCHER	1
--	M720076	SCREW – 1/4-20 X 1	1
--	M720074	SCREW – 1/4-20 X 1/2 SLOTTED	1
--	1928372	LOCKNUT – 1/4-20 KEPS	2
--	1930642	NUT – CENTER LOCK FLANGE 1/4-20	1

## GRASS TUBE ASSEMBLY – 46-52"

1	7501007	ELBOW - UPPER TUBE	1
2	7500993	ASSEMBLY, TUBE, CENTRAL	1
--	7102423	TUBE, GRASS CATCHER, CLEAR POLY	1
--	2171600	STRAP - RUBBER	1
--	M720533	HANDLE, TUBE, GRASS CATCHER	1
--	M720076	SCREW – 1/4-20 X 1	1
--	M720074	SCREW – 1/4-20 X 1/2 SLOTTED	1
--	1928372	LOCKNUT – 1/4-20 KEPS	2
--	1930642	NUT – CENTER LOCK FLANGE 1/4-20	1

## Baffle Assembly





## BAFFLE ASSEMBLY

1	7400268A	BAFFLE, RIGHT	1
2	7400267A	BAFFLE, LEFT	1
3	M720053	CARRIAGE BOLT	2
1	7090585	HEX FLANGE NUT, 5/16-18	5



## Free Manuals Download Website

<http://myh66.com>

<http://usermanuals.us>

<http://www.somanuals.com>

<http://www.4manuals.cc>

<http://www.manual-lib.com>

<http://www.404manual.com>

<http://www.luxmanual.com>

<http://aubethermostatmanual.com>

Golf course search by state

<http://golfingnear.com>

Email search by domain

<http://emailbydomain.com>

Auto manuals search

<http://auto.somanuals.com>

TV manuals search

<http://tv.somanuals.com>