

**SST-BC**

POWERED BY

**SNAPPER**

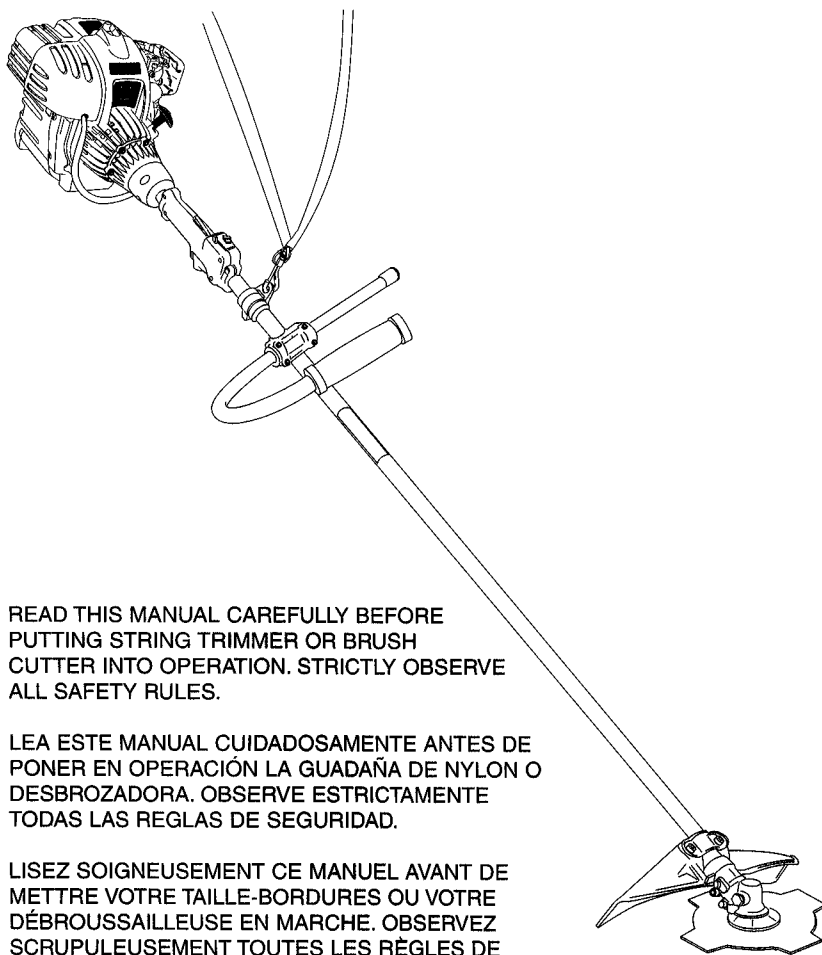
Attn: CUSTOMER RELATIONS

P.O. BOX 777

McDONOUGH, GA 30253

PHONE: 1-800-935-2967

www.snapper.com



READ THIS MANUAL CAREFULLY BEFORE PUTTING STRING TRIMMER OR BRUSH CUTTER INTO OPERATION. STRICTLY OBSERVE ALL SAFETY RULES.

LEA ESTE MANUAL CUIDADOSAMENTE ANTES DE PONER EN OPERACIÓN LA GUADAÑA DE NYLON O DESBROZADORA. OBSERVE EstrictAMENTE TODAS LAS REGLAS DE SEGURIDAD.

LISEZ SOIGNEUSEMENT CE MANUEL AVANT DE METTRE VOTRE TAILLE-BORDURES OU VOTRE DÉBROUSSAILLEUSE EN MARCHÉ. OBSERVEZ SCRUPULEUSEMENT TOUTES LES RÈGLES DE SÉCURITÉ.

P/N-780059-8/05

ENGLISH, SPANISH, FRENCH  
INGLES, ESPAÑOL, FRANCÉS  
ANGLAIS, ESPAGNOL, FRANÇAIS

This unit is intended for occasional use.  
Esta unidad está destinada para uso ocasional.  
Cet appareil n'est prévu que pour fonctionner occasionnellement.

PRINTED IN U.S.A.

**Owners Manual - Brush Cutter/Trimmer**

GB

**Manual del Propietario - Desbrozadora/Guadaña**

E

**Manuel d'utilisation - Débroussailleuse**

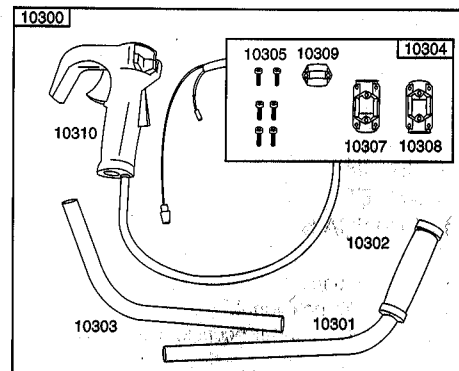
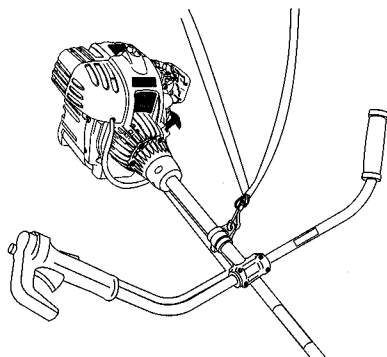
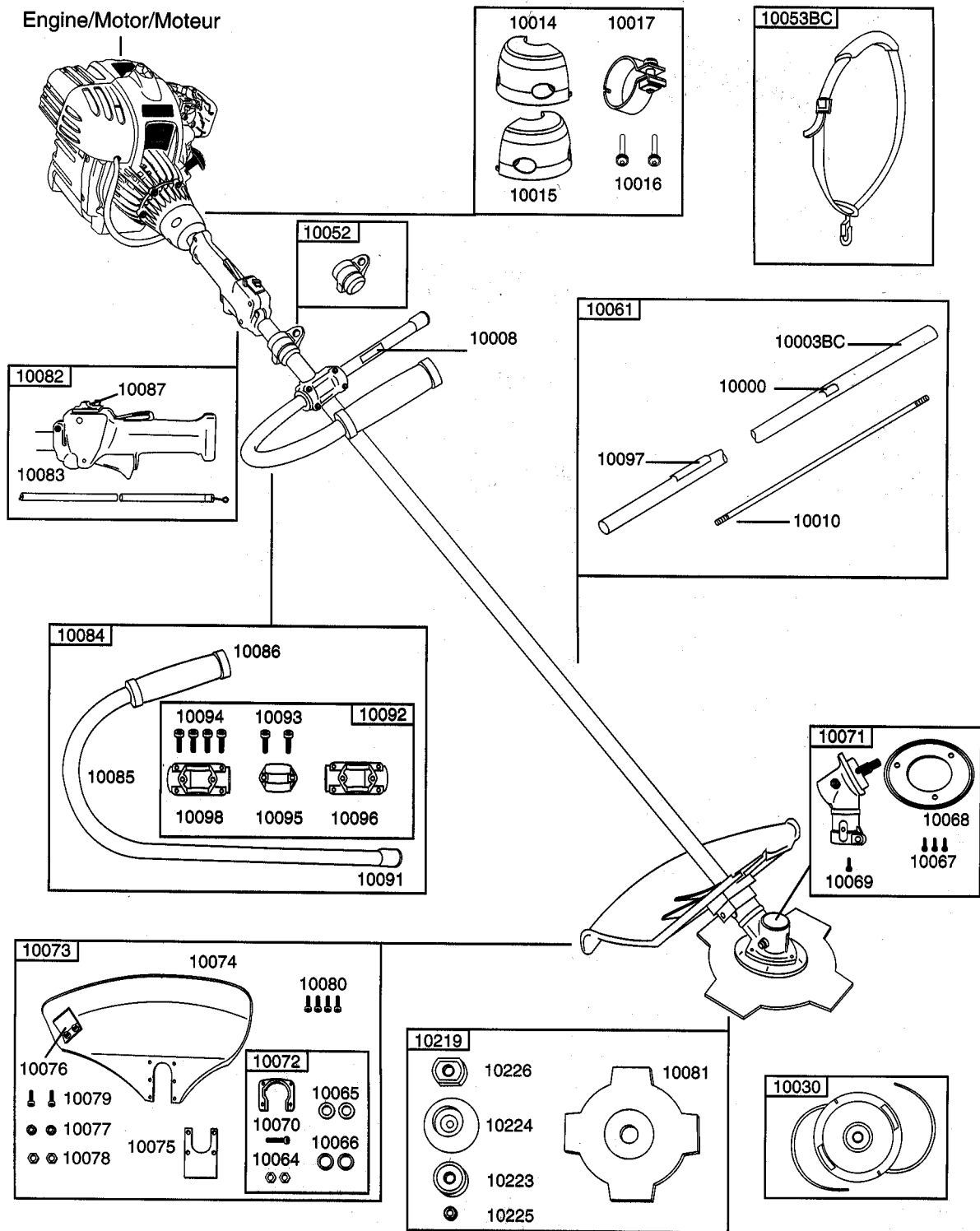
F

<b>Model</b>	<b>SST-BC Brushcutter</b>
Shaft style	Straight
Shaft length	62.5"
Engine	34cc 4-cycle Briggs & Stratton
Cutting width	17" w/line 8" w/blade
Line size	.095"/2.4 mm
Unit weight	13.7 lbs
Head type	Bump feed and 8" diameter blade included
Starting system	Easy starting 4-cycle
Handle type	J-type (SST-BC) Bike Handle
Clutch	Yes*
Shoulder harness	Yes
Warranty	2 year Consumer 90 day Commercial

<b>Modelo</b>	<b>Desbrozadora SST-BC</b>
Tipo Eje	Recto
Longitud del Eje	62.5"
Motor	de 34cc 4-Tiempos Briggs & Stratton
Ancho del Corte	17" con nylon 8" con cuchilla
Medida del Nylon	.095"/2.4 mm
Peso de la Unidad	13.7 libras
Tipo cabezal	de alimentación por tope con cuchilla de 8" de diámetro
Sistema de arranque	de 4-Tiempos de Fácil Arranque
Tipo agarradera	Manillar Tipo J (SST-BC) Manillar Tipo Bicicleta
Embrague	Sí*
Arnés	Sí
Garantía	2 años Uso Privado 90 días Uso Comercial

<b>Modèle</b>	<b>Débroussailleuse SST-BC</b>
Type de manche	Droit
Longueur du manche	158,75 cm
Moteur	34 cm <sup>3</sup> , 4 temps Briggs & Stratton
Largeur de coupe	43 cm avec fil de 20 cm et avec lame
Dimension du fil	2,4 mm
Poids	6,2 kg
Type de tête	Alimentation par frappe de la tête et lame de 20 cm de diamètre incluse
Système de démarrage	4 temps, démarrage facile
Type de poignée	Type J (SST-BC) Poignée en guidon de vélo
Embrayage	Oui*
Harnais d'épaule	Oui
Garantie	2 ans pour usage privé 90 jours pour usage commercial

Engine/Motor/Moteur



**ILLUSTRATED PARTS LIST**

SEE FIG. 

**BRUSH CUTTER SST-BC**

Part Number	Model Used On	Quantity	Description
10000	SST-BC /SST-18CL /SST-16CL	1	Decal for pipe
10003BC	SST-BC	1	Pipe sub assembly
10008	SST-BC	1	Decal for J-handle
10010	SST-BC /SST-18CL	1	Regular flexible shaft with stopper
10014	SST-16CL/SST-18CL/SST-BC	1	Nose cone A
10015	SST-16CL/SST-18CL/SST-BC	1	Nose cone B
10016	SST-16CL/SST-18CL/SST-BC	2	Nose cone screws
10017	SST-16CL/SST-18CL/SST-BC	1	Engine clamp assembly
10030	SST-BC	1	Tap and go with diameter 0.095"
10052	SST-BC /SST-18CL	1	Hanger assembly
10053BC	SST-BC	1	Harness assembly
10061	SST-BC	1	Pipe assembly
10064	SST-BC	2	Nuts
10065	SST-BC	2	Flat washers
10066	SST-BC	2	Lock washers
10067	SST-BC	3	Bolts for gear case hood
10068	SST-BC	1	Gear case hood
10069	SST-BC	1	Bolt for gear case
10070	SST-BC	1	Bolt for holder guard
10071	SST-BC	1	4 bearing with holder and cover
10072	SST-BC	1	Holder guard
10073	SST-BC	1	Guard assembly
10074	SST-BC	1	PP guard for blade cutter (EU model) Black
10075	SST-BC	1	Plate
10076	SST-BC	1	Blade
10077	SST-BC	2	Washers
10078	SST-BC	2	Nuts
10079	SST-BC	2	Tube (L55)
10080	SST-BC	4	5*18 S bolt
10081	SST-BC	1	8" blade cutter
10082	SST-BC	1	2-action lever (Starting Industries)
10083	SST-BC	1	Cable-C
10084	SST-BC	1	J-handle assembly
10085	SST-BC	1	J-handle
10086	SST-BC	1	Grip for J-handle
10087	SST-BC	1	On/Off switch
10091	SST-BC	1	Cap for J-handle
10092	SST-BC	1	Bracket assembly
10093	SST-BC	2	Bolts for bracket
10094	SST-BC	4	Bolts for bracket
10095	SST-BC	1	Cap-U for bracket
10096	SST-BC	1	Bracket
10097	SST-BC	1	Label
10098	SST-BC	1	Cap-L for bracket
10219	SST-BC	1	Brush blade assembly
10223	SST-BC	1	Holder A
10224	SST-BC	1	Cover holder
10225	SST-BC	1	Nut M10
10226	SST-BC	1	Holder B
Engine	SST-BC	1	Engine 34cc 4-cycle Briggs & Stratton Model 21032 0119 E1

**Optional Bike Handle**

10300	SST-BC Bike-Handle Opt	1	W-handle assembly
10301	SST-BC Bike-Handle Opt	1	W-handle pipe
10302	SST-BC Bike-Handle Opt	1	Grip for W-handle
10303	SST-BC Bike-Handle Opt	1	W-handle pipe with hole
10304	SST-BC Bike-Handle Opt	1	Bracket assembly
10305	SST-BC Bike-Handle Opt	6	Bolt for bracket
10307	SST-BC Bike-Handle Opt	1	Holder A
10308	SST-BC Bike-Handle Opt	1	Holder B
10309	SST-BC Bike-Handle Opt	1	Holder C
10310	SST-BC Bike-Handle Opt	1	Pipe handle

## TABLE OF CONTENTS

CONTENTS	PAGE
ILLUSTRATED PARTS LIST .....	1
SAFETY RULES .....	2-3
ASSEMBLY .....	3
SHIELD ASSEMBLY .....	4
OPERATION .....	5-6
MAINTENANCE .....	7
SERVICE/ADJUSTMENTS .....	8
TROUBLESHOOTING .....	9
STORAGE .....	9
WARRANTY INFORMATION .....	10
SST-BC TECHNICAL DATA INFORMATION .....	10

## RULES FOR SAFE OPERATION

### SAFETY AND INTERNATIONAL SYMBOLS

This operator's manual describes safety and international symbols and pictographs that appear on this product. Read the operator's manual for complete safety, assembly, operating, maintenance and repair information.

#### SYMBOL

#### MEANING



- **SAFETY ALERT SYMBOL**  
Indicates danger, warning or caution. May be used in conjunction with other symbols or pictographs.



- **WARNING - READ OPERATOR'S MANUAL**  
Read the operator's manual(s) and follow all warnings and safety instructions. Failure to do so can result in serious injury to the operator and/or bystanders.



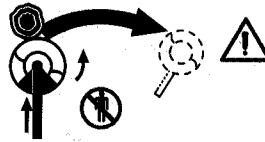
- **WEAR EYE AND HEARING PROTECTION**  
**WARNING:** Thrown objects and loud noise can cause severe eye injury and hearing loss. Wear eye protection meeting ANSI Z87.1 standards and ear protection when operating this unit. Use a full face shield when needed.



- **KEEP BYSTANDERS AWAY**  
**WARNING:** Keep all bystanders, especially children and pets, at least 50 feet (15m) from the operating area.



- **THROWN OBJECTS AND ROTATING CUTTER CAN CAUSE SEVERE INJURY**  
**WARNING:** Do not operate without the cutting attachment shield in place. Keep all from the rotating cutting attachment.



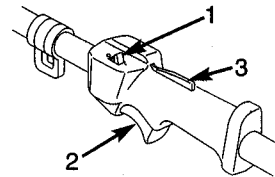
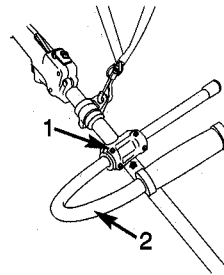
- **BEWARE OF BLADE THRUST OR KICK BACK**  
**WARNING:** Blade thrust and kick back can be sudden and forceful. See owners manual for specific operating precautions.

## SAFETY RULES

- Do not allow a person to use this unit unless instructions are read and understood. Never allow children to operate or play with the unit.
- Do not operate this unit when tired, ill or under the influence of alcohol, drugs, or medication.
- Always wear heavy, long pants, boots, gloves, and a long sleeve shirt. Do not wear loose clothing, jewelry, short pants, sandals, or go barefoot. Secure hair so it is above shoulder level.
- Inspect unit before each use. Replace damaged parts. Check for fuel leaks. Make sure all fasteners are in place and secure. Replace cutting attachment parts that are cracked, chipped, or damaged in any way. Make sure the cutting attachment is properly installed and securely fastened. Be sure the cutting attachment shield is properly attached, and in the position recommended by the manufacturer. Use only flexible, non-metallic line recommended by the manufacturer. Never use, for example, wire or wire-rope which can break off and become a dangerous projectile.
- Keep firm footing and balance. Do not over-reach. Keep cutting attachment below waist level. Keep all parts of your body away from the rotating cutting attachment and hot surfaces.
- Never start or run the unit inside a closed room or building; breathing exhaust fumes can kill.
- Pour fuel outdoors where there are no sparks and flames. Slowly remove the fuel cap only after stopping the engine. Do not smoke while fueling. Wipe spilled fuel from the unit. Move at least 10 ft. (3 m) away from the fueling source and site before starting engine.
- Clear the area to be cut before each use. Remove all objects such as rocks, broken glass, nails, wire, or string which can be thrown or become entangled in the cutting attachment. Clear the area of children, bystanders and pets. At a minimum, keep all children, bystanders and pets outside a 50 ft. (15 m) radius; outside the 50 ft. zone, there is still a risk of injury to bystanders from being struck with the moving blade in the event of a blade thrust or other unexpected reaction of the saw.

## ! DANGER (BLADE THRUST)

- Warn the operator of the danger of blade thrust.
  - Blade thrust may occur when the spinning blade contacts an object that it does not immediately cut.
  - A blade thrust can be violent enough to cause the unit and/or operator to be propelled in any direction, and possibly lose control of the unit.
  - Blade thrust can occur without warning if the blade snags, stalls or binds.
  - Blade thrust is more likely to occur in areas where it is difficult to see the material being cut.
- The handles and shield must be mounted according to the instructions. Do not attach any blade to a unit without proper installation of all required parts. Failure to use the proper parts can cause the blade to fly off and seriously injure the operator and/or bystanders. Discard blades that are bent, warped, cracked, broken or damaged in any way. Use a sharp blade. A dull blade is more likely to snag and thrust.
- The cutting attachment may be spinning during carburetor adjustments. Wear your protective equipment and observe all safety instructions. Be sure the cutting attachment stops turning when the engine idles. When the unit is turned off make sure the cutting attachment has stopped before the unit is set down. A coasting blade can cause injury while it continues to spin after the engine is stopped when throttle trigger is released. Maintain proper control until the blade has completely stopped rotating.



- **INSTALLING THE "J" HANDLE**
  - Install the clamp assembly on the shaft tube. The top of the clamp should touch the arrow on the tube. Leave the screws and nuts slightly loose.
  - Place J handle in clamp as shown- The J shape goes on right side of unit. Position the handle until the arrow on the handle touches the edge of the clamp.
  - Tighten the screws.
- **THROTTLE-KILL SWITCH**
  - To accelerate unit hold down lever (3) with the palm of the RIGHT hand. Then squeeze the trigger (2).
  - To return to idle. Release trigger (2).
  - To stop the unit push switch (1) forward.
  - To start the unit pull switch (1) back.
- **SHOULDER HARNESS**
  - Place the strap over your left shoulder and attach clip to clamp eye on shaft tube.
  - Loosen clamp screw and slide clamp up or down until unit balances with head just touching the ground.
  - Tighten screw.
  - Notice quick release feature.

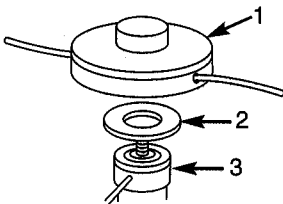


**WARNING:** IT IS UNSAFE TO USE ANY AFTER MARKET HEAD, ATTACHMENT, ACCESSORY OR BLADE ON THIS UNIT. USE ONLY HEADS, ATTACHMENTS, BLADES AND ACCESSORIES MANUFACTURED BY SNAPPER AND INTENDED FOR THIS SPECIFIC MODEL.

## ASSEMBLY INSTRUCTIONS

### ■ TOOL LIST

- Screwdriver (Phillips or Standard)
- Allen wrench 4mm
- 10mm wrench
- 17mm wrench



### ■ INSTALLING CUTTING HEAD

- See Service/Adjustments Section for blade removal instructions.
- Make sure debris shield with line cut off is properly installed. See Shield Assembly Section.
- Lock gear box (3) by inserting a 1/8 in. (4 mm) allen wrench or pin thru hole and finding corresponding notch.
- Install splined washer (2) flat side out.
- To install head (1), turn counterclockwise. Hand-tighten head securely.
- To remove head, turn clockwise.

**WARNING!**

**IN ORDER FOR THE UNIT TO FUNCTION PROPERLY AND SAFELY THE DEBRIS SHIELD MUST BE ATTACHED TO THE GEAR BOX IN THE CORRECT POSITION. THE SHIELD CAN BE ATTACHED IN A HIGH POSITION OR A LOW POSITION.**

**WHEN USING THE BLADE THE SHIELD MUST BE IN THE HIGH POSITION.**

**WHEN USED AS A LINE TRIMMER THE SHIELD MUST BE IN THE LOW POSITION.**

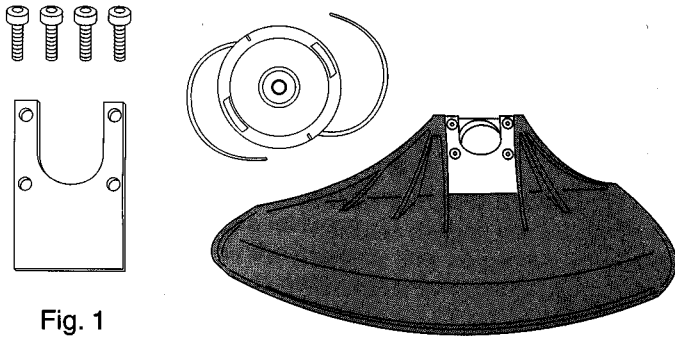
**SHIELD ASSEMBLY FOR LINE TRIMMER  
(LOW POSITION)**

Fig. 1

THE BRACKET (FIG. 1) MUST BE MOUNTED TO THE SHIELD WITH THE OPEN SIDE UP AS SHOWN. SECURE THE BRACKET AND SHIELD TO THE GEAR BOX WITH THE 4 SCREWS INCLUDED. TIGHTEN THE SCREWS FIRMLY WITH A 4mm ALLEN WRENCH.

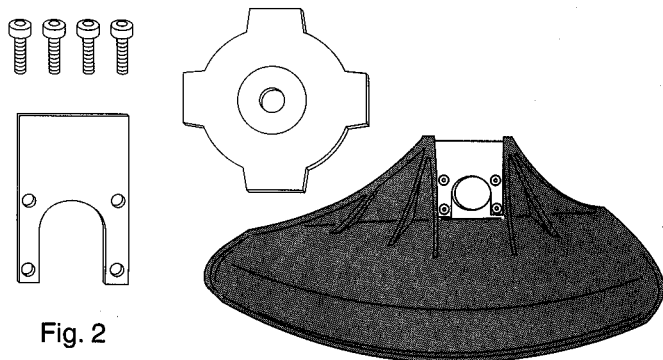
**SHIELD ASSEMBLY FOR BRUSH CUTTER BLADE  
(HIGH POSITION)**

Fig. 2

THE BRACKET (FIG. 2) MUST BE MOUNTED TO THE SHIELD WITH THE OPEN SIDE DOWN AS SHOWN. SECURE THE BRACKET AND SHIELD TO THE GEAR BOX WITH THE 4 SCREWS INCLUDED. THE TOP OF THE BRACKET MUST BE EVEN WITH THE TOP OF THE SHIELD. TIGHTEN THE SCREWS FIRMLY WITH A 4mm ALLEN WRENCH.

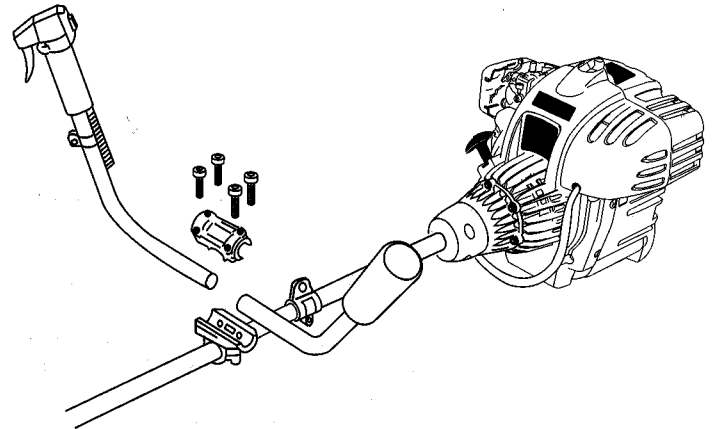


Fig. 3

**INSTALLING BIKE HANDLE ASSEMBLY**

- Install the clamp assembly on the shaft tube.
- The top of the clamp should touch the arrow located on the decal on the tube.
- Leave screws and nuts slightly loose.
- Mount the handles to a location that is comfortable to the user.
- Tighten screws.

**CONNECTING THROTTLE CONTROL TO BIKE HANDLE**

- Attach throttle control to bike handle.
- Slide wire sleeve over the 2 wires coming from the throttle and connect wires to mating connectors on wires coming from engine.
- Slide sleeve to cover all of the exposed wires.

**CONNECTING THROTTLE CABLE TO ENGINE**

- Run throttle cable under main tube frame and plug it into hole underneath carburetor.
- Rotate throttle on engine and insert throttle cable.
- **NOTE:** Throttle cable must be in front of breather tube.
- Squeeze throttle control to check travel of throttle on engine.

**SECURING CABLE AND WIRES**

- Use 3 wire wraps to secure cable to unit.
- One at the curve of the bike handle.
- One at the main tube near bike handle clamp.
- One at the main tube close to the engine.

# OPERATING INSTRUCTIONS

## USING THE CUTTING BLADE

**WARNING:** Always wear eye, hearing, foot and body protection to reduce the risk of injury when operating this unit.

**WARNING:** Do not use the cutting blade for edging or as an edger. Severe personal injury to yourself or others can result.

Before operating the unit with the cutting blade, stand in the operating position (Fig. 4). Refer to *Holding the Trimmer*.



Fig. 4

### Cutting Blade Operating Tips

To establish a rhythmic cutting procedure:

- Plant feet firmly, comfortably apart.
- Bring the engine to full throttle before entering the material to be cut. At full throttle the blade has maximum cutting power and is less likely to bind, stall or cause blade thrust (which can result in serious personal injury to the operator or others).

**WARNING:** Blade thrust may occur when the spinning blade contacts an object that it does not immediately cut. Blade thrust can be violent enough to cause the unit and/or operator to be propelled in any direction, and possibly lose control of the unit. Blade thrust can occur without warning if the blade snags, stalls or binds. This is more likely to occur in areas where it is difficult to see the material being cut.

- Cut while swinging the upper part of your body from right to left.
- Always release the throttle trigger and allow the engine to return to idle speed when not cutting.
- When you are finished, always unsnap the unit from the harness before taking off the harness.
- Watch out for hidden obstacles, such as rocks stumps, roots, etc, that could cause the blade to kick back.
- Make sure the "J" Handle, Shield and Shoulder Strap are installed per assembly instructions.

**WARNING:** The blade continues to spin after the engine is turned off. The coasting blade can seriously cut you if accidentally touched.

- Swing the unit in the same direction as the blade spins, which increases the cutting action.
- After the return swing, move forward to the next area to be cut and plant your feet again.
- The cutting blade is designed with a second cutting edge. You can use it by removing the blade, turning it upside down, and reinstalling it.

**WARNING:** Do not sharpen the cutting blade. Sharpening the blade can cause the blade tip to break off while in use. This can result in severe personal injury to yourself or others. Replace the blade.

**WARNING: Always wear gloves when working with blade.** To reduce the chance of material wrapping around the blade, follow these steps:

- Cut at full throttle.
- Swing the unit into material to be cut from your right to your left (Fig. 5).
- Avoid the material just cut as you make the return swing.

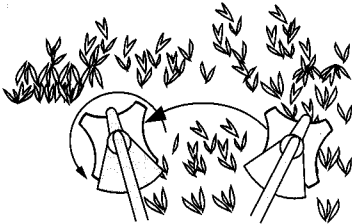


Fig. 5

**WARNING:** Do not clear away any cut material with the engine running or blade turning. To avoid serious personal injury, turn off the engine. Allow the blade to stop before removing materials wrapped around the blade shaft.

## HOLDING THE TRIMMER

**WARNING:** Always wear eye, hearing, foot and body protection to reduce the risk of injury when operating this unit.

- Before operating the unit, stand in the operating position (Fig. 6). Check for the following:
- The operator is wearing eye protection and proper clothing.
  - With a slightly-bent right arm, the operator's hand is holding the shaft grip.
  - The operator's left arm is straight, the left hand holding the D-handle.
  - The unit is at waist level.
  - The cutting attachment is parallel to the ground and easily contacts the grass without the need to bend over.

GB



Fig. 6

**ADJUSTING TRIMMING LINE LENGTH**

The bump head cutting attachment allows you to release trimming line without stopping the engine. To release more line, lightly tap the cutting attachment on the ground (Fig. 7) while operating the trimmer at high speed.

**NOTE:** Always keep the trimming line fully extended. Line release becomes more difficult when the cutting line gets shorter.

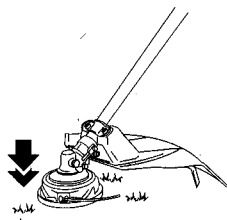


Fig. 7

Each time the head is bumped, about 1 in. (25.4 mm) of trimming line releases. A blade in the cutting attachment shield will cut the line to the proper length if any excess line is released.

For best results, tap the bump knob on bare ground or hard soil. If you attempt a line release in tall grass, the engine may stall. Always keep the trimming line fully extended. Line release becomes more difficult when the cutting line gets shorter.

**NOTE:** Do not rest the bump head on the ground while the unit is running.

Some line breakage will occur from:

- Entanglement with foreign matter.
- Normal line fatigue.
- Attempting to cut thick, stalky weeds.
- Forcing the line into objects such as walls or fence posts.

**TIPS FOR BEST TRIMMING RESULTS**

- Keep the cutting attachment parallel to the ground.
- Do not force the cutting attachment. Allow the tip of the line to do the cutting, especially along walls. Cutting with more than the tip will reduce cutting efficiency and may overload the engine.
- Cut grass over 8 in. (200 mm) by working from top to bottom in small increments to avoid premature line wear or engine drag.
- Cut from right to left whenever possible. Cutting to the left improves the unit's cutting efficiency. Clippings are thrown away from the operator.
- Slowly move the trimmer into and out of the cutting area at the desired height. Move either in a forward-backward or side-to-side motion. Cutting shorter lengths produces the best results.
- Trim only when grass and weeds are dry.
- The life of your cutting line is dependent upon:
  - Following the trimming techniques.
  - What vegetation is being cut.
  - Where vegetation is cut.

For example, the line will wear faster when trimming against foundation wall as opposed to trimming around a tree.

**DECORATIVE TRIMMING**

Decorative trimming is accomplished by removing all vegetation around trees, posts, fences and more. Rotate the whole unit so that the cutting attachment is at 30° angle to the ground (Fig. 8).

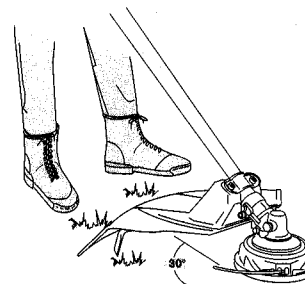


Fig. 8



**CAUTION:** Do not remove or alter the line cutting blade assembly. Excessive line length will make the clutch overheat. This may lead to serious personal injury or damage to the unit.



**Refer to your BRIGGS & STRATTON owners' manual for engine information**

- |                             |                           |
|-----------------------------|---------------------------|
| 1. Adding Oil to a New Unit | 5. Starting a Warm Engine |
| 2. Adding Fuel              | 6. Engine Maintenance     |
| 3. Starting a NEW Engine    | 7. Engine Adjustments     |
| 4. Starting and Stopping    | 8. Service and Storage    |
|                             | 9. Engine Warranty        |

**Periodic Maintenance Chart**



**WARNING:**

Accidental engine starting can cause injury. Always remove the spark plug before servicing the engine to prevent accidental starting.

**LACK OF MAINTENANCE OR IMPROPER MAINTENANCE CAN RESULT IN INJURY. MODIFYING PARTS IN ANY MANNER OR REMOVING ANY PART OF THIS UNIT CAN RESULT IN INJURY. USE OF NON-CONFORMING PARTS OR COMPONENTS CAN RESULT IN INJURY.**

MAINTENANCE	EACH USE	AFTER EVERY SEASON OR		
		FIRST 10 HOURS	EVERY 25 HOURS	EVERY 50 HOURS
Change oil*			●*	
Check and replenish fuel	●			
Check and replenish oil	●			
Check bolts, nuts and screws for looseness and loss	●			
Check throttle lever operation	●			
Check engine switch operation	●			
Check guard assembly condition	●			
Clean/replace in-tank fuel filter				●
Clean air filter element		●		
Tighten bolts, nuts and screws		●		●
Clean spark plug and adjust electrode gap				●
Remove dust and dirt from cylinder fins				●
Remove carbon deposits in the exhaust muffler				●
Clean spark arrester screen				●
Check gear case assembly lubrication				●
Check drive shaft lubrication				●
Check valve clearance				●

\*Change engine oil after first 4 hours of use. Please refer to the engine manual for more details.

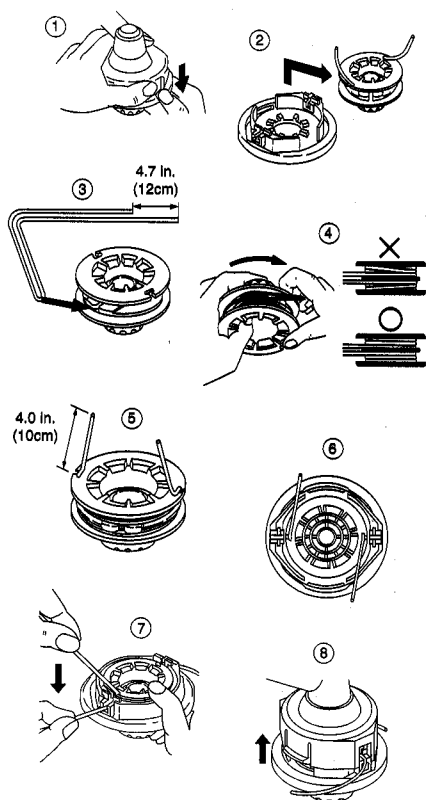
**NOTE:**

The service intervals indicated are to be used as a guide. Service to be performed more frequently as necessary by operating condition. These items must be performed with proper tools. See your authorized dealer for service.

**LINE REPLACEMENT**

**SAFETY RULES**

1. Shut down the trimmer to make certain the head cannot turn while working with the head.
2. Check mounting of cutting head on trimmer and tighten if it is loose.
3. Inspect head for wear, chips or cracks. Replace parts or entire head if needed.
4. Always use line that is the correct diameter and type for this unit. Do not use metal reinforced or metal line.
5. Make sure the two retaining pawls spread out to the periphery of the cover windows.
6. Check the head for deflection or abnormal noise by rotating the head by hand. Deflection or abnormal noise may cause vibrations, which will cause the cutting line to weld together. It is also potentially dangerous.



**REFILLING TRIMMING LINE**

1. For replacement line, use a diameter of .095 in. (2.4 mm). The spool is capable for a line up to 20 ft. (6 m) on the 4 in. head. Avoid using a larger line as it may cut down the trimming performance.
2. Pinch the slotted area on the both sides of the spool housing to unhook the bottom cap.
3. Take out the spool and pull off the old line. Put one end of new line through the spool holes and pull it until the length is equal between each part of the line.
4. Wind up the line in the correct direction as indicated on the spool.
5. Hook each end of the line in the slot on the edge of the spool, and then put the ends through the eyelets on the housing. Make sure that the spring and the washers are in place.

6. While holding the spool against the housing, pull the line ends to release them from the slot.
7. Line up the slot on the bottom cap with the hook on the housing, press the cap against the housing until it clicks.

**BLADE REPLACEMENT**

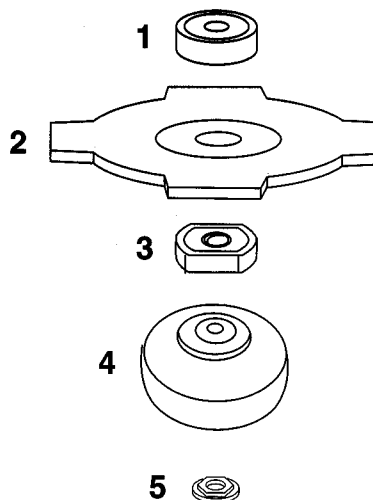
**SAFETY RULES**

1. Shut down the trimmer to make certain the blade cannot turn while working with the blade.
2. Make certain the correct shield is securely attached and in the correct position.
3. Always wear gloves when working with the blade.
4. Never attempt to sharpen the blade. If the blade is dull, cracked, bent or out of balance replace the blade with the replacement blade made specifically for this unit. A worn, damaged or cracked blade can beak and pieces of the damaged blade can become dangerous projectiles. Although aftermarket blades may fit this unit, it is potentially dangerous to put these blades on your unit. Use only a new 4 point 8 inch brush blade intended for this unit.

**REPLACEMENT PROCEDURE:**

1. Insert a 1/8 in., 4 mm hex tool or equivalent fully into the gear case hole.
2. Turn the blade until you feel the tool drop into the hole in cover plate/spacer A. Verify the blade does not turn. The blade nut is a left-hand thread. Turn clockwise to loosen and counter-clockwise to tighten. Make sure the tool remains in the hole, then loosen the blade nut as shown. Pay attention to the order and orientation of the parts as they are removed.
3. Installation is the reverse of removal. Tighten the blade nut with a torque wrench.

**Blade nut torque:** 14 ft-lb  
(20 N-M 2.0 KG-M)



**PART SEQUENCE:**

1. 10223 - Holder A
2. 10081 - Blade
3. 10226 - Holder B
4. 10224 - Cover Holder
5. 10225 - Nut M10

## TROUBLESHOOTING GUIDE

### Case 1. Starting failure

CHECK		PROBABLE CAUSES		ACTION
Fuel tank	→	Incorrect fuel	→	Drain it and fill with correct fuel
Fuel filter	→	Fuel filter is clogged	→	Clean
Carburetor idle speed screw	→	Out of normal range	→	Adjust to normal range
No spark	→	Spark plug is fouled/wet	→	Clean/dry
	→	Plug gap is incorrect	→	[Correct GAP .025" (0.6-0.7 mm)]
Spark plug	→	Disconnected	→	Retighten

### Case 2. Engine starts but does not keep running/Hard re-starting

CHECK		PROBABLE CAUSES		ACTION
Fuel tank	→	Incorrect fuel or stale fuel	→	Drain it and fill with correct fuel
Carburetor idle speed screw	→	Out of normal range	→	Adjust to normal range
Muffler, cylinder(exhaust port)	→	Carbon is built-up	→	Wipe away
Air cleaner	→	Clogged with dust	→	Wash
Cylinder fin, fan cover	→	Clogged with dust	→	Clean

If your unit needs further service, please consult with an authorized service dealer in your area.

## STORAGE



**WARNING:** Perform the following steps after each use:

- Allow engine to cool, and secure the unit before storing or transporting.
- Store unit and fuel in a well ventilated area where fuel vapors cannot reach sparks or open flames from water heaters, electric motors or switches, furnaces, etc.
- Store unit with all guards in place. Position unit so that any sharp objects cannot accidentally cause injury.
- Store unit and fuel well out of the reach of children.

### SEASONAL STORAGE

Prepare unit for storage at end of season or if it will not be used for 30 days or more. If your unit is to be stored for a period of time:

- Drain all fuel from the fuel tank into the proper receptacles for storage.
- Press purge bulb 15 times to remove all fuel from carburetor and fuel lines. Drain this fuel into proper receptacles. If fuel is to be disposed, please refer to local rules for proper disposal.
- Clean the entire unit before lengthy storage.
- Store in a clean dry area.
- Lightly oil external metal surfaces.
- This trimmer may be stored in a variety of positions. If possible, it is preferred to store the trimmer in a horizontal position with the spark plug up. The trimmer should not be stored or transported with the spark plug down.
- Storing or transporting the trimmer with the spark plug down may result in white smoke coming from the muffler or difficulty starting.

### FUEL SYSTEM

Fuel stabilizer is an acceptable alternative in minimizing the formation of fuel gum deposits during storage. Add stabilizer to the gasoline in the fuel tank or fuel storage container. Follow the mix instructions found on stabilizer container. Run engine at least 5 minutes after adding stabilizer.

### ENGINE

- Remove spark plug and pour 1 teaspoon of HD30 wt. engine oil through the spark plug opening. Slowly pull the starter rope 8 to 10 times to distribute oil.
- Replace spark plug with new one of recommended type and heat range.
- Clean air filter.
- Check entire unit for loose screws, nuts, and bolts. Replace any damaged, broken, or worn parts.
- At the beginning of the next season, use only fresh fuel.

### OTHER

- Do not store gasoline from one season to another.
- Replace your gasoline can if it starts to rust.
- When removing the unit from storage, only use fresh gasoline. Perform the routine operation checks as spelled out in the manual before any start.

GB

**WARRANTY**

**SNAPPER** hereby warrants to the original retail purchaser ALL NEW products of its own manufacture to be free from defect in material and workmanship, for a period of two (2) years from the date of the original purchase, subject to the following exceptions.

**GB**

Products	Consumer Use	Commercial/Rental Use
Hand Held String Trimmers	2 Years	90 Days

- No warranty is extended to any equipment, which has been misused, neglected, or damaged by accident. Snapper shall not be responsible for damage in transit or handling by any common carrier. Under no circumstances, within or without the warranty period, will the company be liable for damage for loss, or damage resulting from delay, or any consequential damage including but not limited to any cost or expense of providing substitute equipment or service during periods of malfunction or non-use. Snapper will repair or replace, free of charge any part or parts of the units found upon examination by any Factory Authorized Dealer or by the factory to be defective in materials and or workmanship for the term of the warranty.
- The consumer is responsible for: (1) normal maintenance such as greasing, gear case lubrication, minor adjustment and (2) transportation of any Snapper product to and from the place warranty work is performed.
- Snapper warranty WILL NOT APPLY to any products repaired or altered by anyone other than an Authorized Service Distributor or Authorized Service Dealer.
- Snapper reserves the right to incorporate any changes in design into its products without obligation to make changes on units previously manufactured.
- For engine warranty, please refer to the Briggs & Stratton manual.

**SST-BC TECHNICAL DATA INFORMATION**

Mass without fuel, cutting attachment, guards:	<i>J Handle Bar Unit</i> . . . .	6.264 kg
	<i>Bike Handle Bar Unit</i> . . .	6.292 kg
Fuel Tank Volume:		296 cm <sup>3</sup>
Max engine performance:		0.746 kW
Max rotational frequency of the spindle:		6467 RPM
Engine speed at maximum spindle frequency:		8600 RPM
Engine speed at idle:		3600 RPM
Fuel consumption:		0.399 kg/h
Specific fuel consumption:		542 g/kWh
Vibration levels for idling and racing:		
	<i>Wide Open Throttle "racing"</i>	<i>Idle</i>
	Left Hand = 3.20 m/s <sup>2</sup>	Left Hand = 2.14 m/s <sup>2</sup>
	Right Hand = 2.76 m/s <sup>2</sup>	Right Hand = 2.28 m/s <sup>2</sup>
Sound pressure levels:		Operator Ear Lp dB(A) = 91.44

VEA LA FIG. 1

**DESBROZADORA SST-BC**

Numero de parte	Modelo Usado En	Cantidad	Descripción
10000	SST-BC /SST-18CL /SST-16CL	1	Calcomanía para el tubo
10003BC	SST-BC	1	Tubo sub-conjunto
10008	SST-BC	1	Calcomanía para el Manillar Tipo J
10010	SST-BC /SST-18CL	1	Eje flexible regular con tapón
10014	SST-16CL/SST-18CL/SST-BC	1	Cono delantero A
10015	SST-16CL/SST-18CL/SST-BC	1	Cono delantero B
10016	SST-16CL/SST-18CL/SST-BC	2	Tornillo cono delantero
10017	SST-16CL/SST-18CL/SST-BC	1	Conjunto sujetador motor
10030	SST-BC	1	Porta nylon con diámetro de 0.095"
10052	SST-BC /SST-18CL	1	Conjunto de suspensión
10053BC	SST-BC	1	Conjunto arnés
10061	SST-BC	1	Conjunto tubo
10064	SST-BC	2	Tuerca
10065	SST-BC	2	Arandela plana
10066	SST-BC	2	Arandelas - cerradura
10067	SST-BC	3	Pernos - cubierta de la caja de engranaje
10068	SST-BC	1	Cubierta de la caja de engranaje
10069	SST-BC	1	Tornillo para la caja del mecanismo de engranaje
10070	SST-BC	1	Tornillo para el protector del soporte
10071	SST-BC	1	4 bujes con soporte y tapa
10072	SST-BC	1	Protector soporte
10073	SST-BC	1	Conjunto protector
10074	SST-BC	1	Protector PP para la cuchilla de corte (Modelo EU) Negro
10075	SST-BC	1	Plato
10076	SST-BC	1	Cuchilla
10077	SST-BC	2	Arandelas
10078	SST-BC	2	Tuerca
10079	SST-BC	2	Tubo (L55)
10080	SST-BC	4	Perno 5*18 S
10081	SST-BC	1	Cuchilla de corte de 8"
10082	SST-BC	1	Palanca de Doble Acción (Starting Industries)
10083	SST-BC	1	Cable-C
10084	SST-BC	1	Conjunto Manillar tipo J
10085	SST-BC	1	Manillar tipo J
10086	SST-BC	1	Mango para el Manillar tipo J
10087	SST-BC	1	Suiche de Encendido y Apagado
10091	SST-BC	1	Cubierta para el Manillar tipo J
10092	SST-BC	1	Conjunto soporte
10093	SST-BC	2	Perno para el soporte
10094	SST-BC	4	Perno para el soporte
10095	SST-BC	1	Cubierta-U para el soporte
10096	SST-BC	1	Soporte
10097	SST-BC	1	Etiqueta
10098	SST-BC	1	Cubierta-L para el soporte
10219	SST-BC	1	Escobilla de la cuchilla - Conj.
10223	SST-BC	1	Soporte A
10224	SST-BC	1	Tapa soporte
10225	SST-BC	1	Tuerca M10
10226	SST-BC	1	Soporte B
Motor	SST-BC	1	Motor Briggs & Stratton de 34cc 4-tiempos, Modelo 21032 0119 E1

**Manillar Bicicleta Opcional**

10300	Manillar Bicicleta Opcional SST-BC	1	Conjunto Manillar W
10301	Manillar Bicicleta Opcional SST-BC	1	Tubo Manillar W
10302	Manillar Bicicleta Opcional SST-BC	1	Mango para el Manillar W
10303	Manillar Bicicleta Opcional SST-BC	1	Manillar tipo W con orificio
10304	Manillar Bicicleta Opcional SST-BC	1	Conjunto soporte
10305	Manillar Bicicleta Opcional SST-BC	6	Perno para el soporte
10307	Manillar Bicicleta Opcional SST-BC	1	Soporte A
10308	Manillar Bicicleta Opcional SST-BC	1	Soporte B
10309	Manillar Bicicleta Opcional SST-BC	1	Soporte C
10310	Manillar Bicicleta Opcional SST-BC	1	Manilla del tubo

## TABLA DE CONTENIDO

CONTENIDO	PAGINA
LISTA DE PARTES ILUSTRADAS .....	11
PAUTAS DE SEGURIDAD .....	12-13
MONTAJE .....	13
CONJUNTO DEL PROTECTOR .....	14
INSTRUCCIONES DE INSTALACIÓN DEL MANILLAR TIPO BICICLETA .....	14
OPERACIÓN .....	15-16
MANTENIMIENTO .....	17
SERVICIO/AJUSTES .....	18
DETECCION DE FALLAS .....	19
BODEGAJE .....	19
INFORMACION DE GARANTIA .....	20
SST-BC DATOS DE INFORMACIÓN TÉCNICA .....	20

## PAUTAS PARA UNA OPERACIÓN SEGURA

### SÍMBOLOS INTERNACIONALES DE SEGURIDAD

Este manual del operador describe los símbolos y pictografías internacionales y de seguridad que aparecen en este producto. Lea el manual del operador para obtener información completa de seguridad, instalación, operación, mantenimiento y reparación.

#### SÍMBOLO

#### SIGNIFICADO



- **SÍMBOLO DE ALERTA DE SEGURIDAD**  
Indica peligro, advertencia o precaución. Puede ser usado junto con otros símbolos o pictografías.



- **ADVERTENCIA - LEA EL MANUAL DEL OPERADOR**  
Lea el (los) manual(es) del operador y siga todas las instrucciones de advertencias y seguridad. Dejar de hacerlo puede ocasionar lesiones graves al operador y/o a las personas que se encuentren cerca.



- **PROTECCIÓN PARA LOS OJOS Y LOS OÍDOS**  
**ADVERTENCIA:** Los objetos lanzados y el fuerte ruido pueden ocasionar lesiones graves en los ojos y la pérdida de la audición. Protéjase los ojos cumpliendo con la norma ANSI Z87.1 y utilice protección en los oídos cuando opere esta unidad. Use una careta protectora que cubra completamente la cara cuando sea necesario.

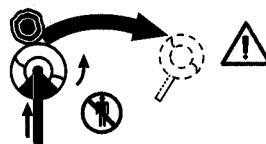


- **MANTENGA A DISTANCIA LOS CURIOSOS**  
**ADVERTENCIA:** Todas las personas que se encuentren cerca, especialmente los niños y las mascotas, deben mantenerse a una distancia de por lo menos 50 pies (15m) del área de operación.



### • LOS OBJETOS LANZADOS Y LA CUCHILLA GIRATORIA DE CORTE PUEDEN OCASIONAR GRAVES LESIONES

**ADVERTENCIA:** No opere la unidad sin el protector del aditamento de corte en posición. Este preserva de daños todo el aditamento giratorio de corte.



### • TENGA CUIDADO CON UN DESLIZAMIENTO DE LA CUCHILLA O CON UN CONTRAGOLPE

**ADVERTENCIA:** Un deslizamiento de la cuchilla y un contragolpe pueden ser violentos y ocurrir repentinamente. Consulte el manual del operador para las instrucciones de operación específicas.

## PAUTAS DE SEGURIDAD

- No permita que cualquier persona utilice esta unidad a menos que haya leído y comprendido sus instrucciones. Nunca deje que los niños operen o jueguen con la unidad.
- No opere esta unidad cuando se sienta cansado, esté enfermo ni bajo la influencia del alcohol, drogas o cualquier medicamento.
- Use siempre pantalones largos resistentes, botas, guantes y una camisa de manga larga. No use ropa floja, pantalones cortos, sandalias ni se descalce. Asegure su cabello si lo usa por encima del nivel del hombro.
- Inspeccione la unidad antes de cada uso. Cambie las partes que estén dañadas. Compruebe si hay fugas de combustible. Asegúrese que todos los sujetadores estén asegurados y en posición. Cambie las partes del aditamento de corte que estén rajadas, astilladas o dañadas de alguna manera. Asegúrese que el aditamento de corte esté correctamente instalado y asegurado firmemente. Asegúrese que el protector del aditamento de corte esté colocado apropiadamente, y en la posición recomendada por el fabricante. Use únicamente el nylon flexible, no metálico recomendado por el fabricante. Nunca use, por ejemplo, alambre o cable metálico los cuales puedan reventarse y llegar a convertirse en un proyectil peligroso.
- Adopte una posición firme y balanceada. No se exceda. Mantenga el aditamento de corte por debajo del nivel de la cintura. Mantenga todas las partes de su cuerpo a distancia del aditamento de corte y de las superficies calientes.
- Nunca le arranque a la unidad ni la opere en un lugar encerrado ni dentro de un edificio; respirar los gases de escape puede ocasionar la muerte.
- Vierta el combustible en exteriores donde no haya presencia de chispas ni llamas. Remueva lentamente la tapa de combustible solo después de haber detenido el motor. No fume mientras aprovisiona con combustible. Limpie el combustible derramado de la unidad. Apártese por lo menos 10 pies (3 m) del sitio y la fuente donde se aprovisionó con combustible antes de darle arranque al motor.
- Despeje el área que va a ser cortada antes usar la unidad. Remueva todos los objetos tales como rocas, cristal roto, clavos, alambres, o cuerdas los cuales puedan alcanzar a ser lanzados o enredarse en el aditamento de corte. Despeje el área de niños, personas que se encuentren cerca y animales domésticos. Haga que todos los niños, las personas que se encuentren cerca y los animales domésticos se aparten en lo posible a un radio de 50 pies (15 m); a una zona apartada de 50 pies, aún existe el riesgo de que las personas que se encuentren cerca sean golpeadas con la cuchilla en movimiento en el evento de que se presente un deslizamiento de la cuchilla u otra reacción inesperada de la máquina de corte.

## ! PAUTAS DE SEGURIDAD (CONTINUACIÓN)

- Proteja al operador del peligro de un deslizamiento de la cuchilla.
  - Un deslizamiento de la cuchilla puede ocurrir cuando la rotación de la cuchilla tiene contacto con un objeto que no corta inmediatamente.
  - Un deslizamiento de la cuchilla puede ser lo suficientemente violento para hacer que la unidad y/o el operador sean empujados en cualquier dirección, y ocasionar posiblemente la pérdida de control de la unidad.
  - Un deslizamiento de la cuchilla puede ocurrir si no se advierte que la cuchilla se enreda, se atasca o se trava.
  - Un deslizamiento de la cuchilla es más factible de que ocurra en áreas donde se hace difícil ver el material que esta siendo cortado.
- Los manillares y el protector deben ser instalados de acuerdo con las instrucciones. No sujete ninguna cuchilla a una unidad sin la adecuada instalación de todas las partes requeridas. El no uso de las partes apropiadas puede hacer que la cuchilla se descuadre y ocasionar lesiones graves al operador/a las personas que estén cerca. Descarte las cuchillas que estén dobladas, deformadas, rajadas, quebradas o dañadas de alguna manera. Use una cuchilla afilada. Una cuchilla desafilada tiene mayor probabilidad de enredarse o deslizarse.
- El aditamento de corte puede estar girando durante los ajustes del carburador. Use su equipo de protección y observe todas las instrucciones de seguridad. Cuando apague la unidad asegúrese que el aditamento de corte haya parado cuando el motor disminuya la velocidad. Cuando apague la unidad asegúrese que el aditamento de corte haya parado antes de asentar la unidad. Un movimiento de la cuchilla por inercia puede ocasionar lesiones mientras que la cuchilla continúa girando después de que el motor haya parado y de haber soltado la palanca de accionamiento del acelerador. Mantenga el control apropiado hasta que la cuchilla haya parado completamente de girar.

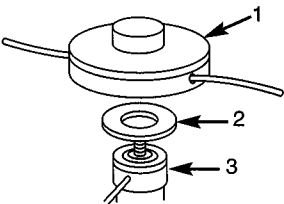


**ADVERTENCIA:** ES PELIGROSO USAR EN ESTA UNIDAD CUALQUIER CABEZAL, ADITAMENTO, ACCESORIO O CUCHILLA QUE SE CONSIGA EN EL MERCADO SECUNDARIO. USE ÚNICAMENTE LOS CABEZALES, ADITAMENTOS, CUCHILLAS Y ACCESORIOS FABRICADOS POR SNAPPER Y DESTINADOS PARA ESTE MODELO ESPECÍFICO.

## INSTRUCCIONES DE INSTALACIÓN

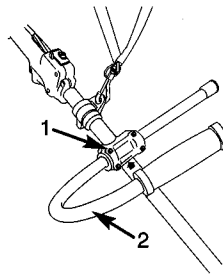
### ■ LISTA DE HERRAMIENTAS

- Destornillador (Phillips o Estándar)
- Llave Allen de 4 mm
- Llave de 10 mm
- Llave de 17 mm



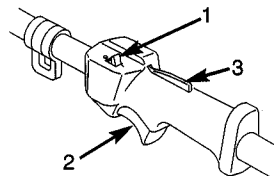
### ■ INSTALACIÓN DEL CABEZAL DE CORTE

- Consulte la Sección de Servicio/Ajustes para las instrucciones de remoción de la cuchilla.
- Asegúrese que el protector de desechos con la guía de corte estén correctamente instalados. Consulte la Sección del Conjunto del Protector.
- Asegure la caja del mecanismo de engranaje (3) insertando una llave allen de 1/8 de pulgada (4 mm) o un pin a través del orificio y encontrando la muesca correspondiente.
- Instale el lado plano de la arandela ranurada (2) hacia afuera.
- Para instalar el cabezal (1), gírelo en sentido contrario al de las agujas del reloj. Apriételo firmemente con la mano.
- Para remover el cabezal, gírelo en sentido de las agujas del reloj.



### ■ INSTALACIÓN DE EL MANILLAR TIPO "J"

- Instale el conjunto de sujeción en el tubo del eje. La parte superior del sujetador debe tocar la flecha en el tubo. Deje los tornillos y las tuercas ligeramente flojos.
- Coloque el manillar tipo J en el sujetador como se muestra- La parte que tiene forma de J va en el lado derecho de la unidad. Coloque el manillar hasta que la flecha en el manillar toque el borde del sujetador.
- Apriete los tornillos.



### ■ SUICHE DE PARADA DEL ACELERADOR

- Para acelerar la unidad mantenga sostenida la palanca hacia abajo (3) con la palma de la mano DERECHA. Presione después la palanca de accionamiento (2).
- Para retornar a mínima. Libere la palanca de accionamiento (2).
- Para detener la unidad oprima el suiche (1) hacia adelante.
- Para darle arranque a la unidad presione el suiche (1) hacia atrás.



### ■ ARNES

- Coloque la correa por encima de su hombro izquierdo y sujete la pinza con la guía de sujeción en el tubo del eje.
- Afloje el tornillo del sujetador y deslice el sujetador hacia arriba o hacia abajo hasta que la unidad se balancee con el cabezal apenas tocando la tierra.
- Apriete el tornillo.
- Observe la característica de liberación rápida.

## INSTRUCCIONES DE INSTALACIÓN DEL PROTECTOR

### ADVERTENCIA!



PARA QUE LA UNIDAD FUNCIONE APROPIADAMENTE Y CON SEGURIDAD EL PROTECTOR DE DESECHOS DEBE ESTAR SUJETO A LA CAJA DEL MECANISMO DE ENGRANAJE EN LA POSICIÓN CORRECTA. EL PROTECTOR PUEDE ASEGURARSE EN UNA POSICIÓN ALTA O EN UNA POSICIÓN BAJA.

CUANDO USE LA CUCHILLA EL PROTECTOR DEBE ESTAR EN LA POSICIÓN ALTA.

CUANDO USE LA MAQUINA CON NYLON EL PROTECTOR DEBE ESTAR EN LA POSICIÓN BAJA.

### CONJUNTO DEL PROTECTOR PARA LA GUADAÑA DE NYLON (POSICIÓN BAJA)

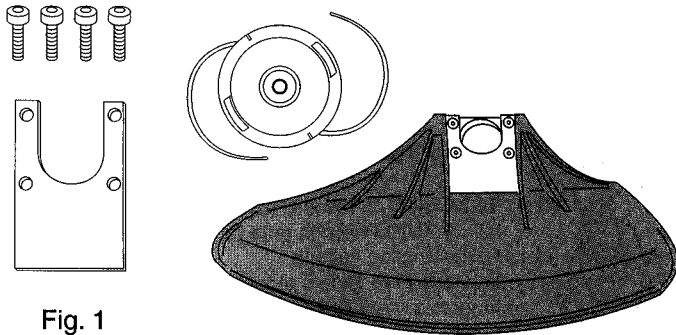


Fig. 1

EL SOPORTE (FIG. 1) DEBE ESTAR MONTADO EN EL PROTECTOR CON EL LADO ABIERTO HACIA ARRIBA COMO SE MUESTRA. ASEGURE EL SOPORTE Y EL PROTECTOR A LA CAJA DEL MECANISMO DE ENGRANAJE CON LOS 4 TORNILLOS SUMINISTRADOS. APRIETE FIRMEMENTE LOS TORNILLOS CON UNA LLAVE ALLEN DE 4 mm.

### CONJUNTO PROTECTOR PARA LA CUCHILLA DE LA DESBROZADORA (POSICIÓN ALTA)

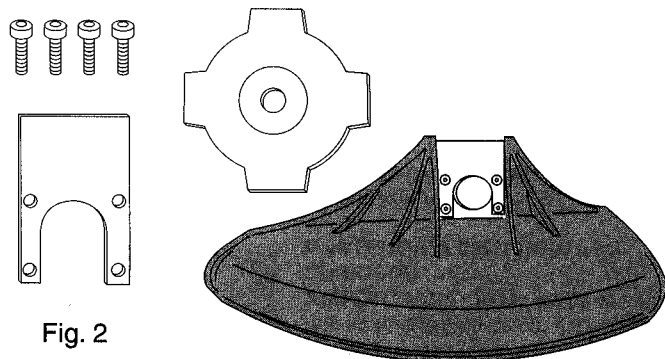


Fig. 2

EL SOPORTE (FIG. 2) DEBE ESTAR MONTADO EN EL PROTECTOR CON EL LADO ABIERTO HACIA ABAJO COMO SE MUESTRA. ASEGURE EL SOPORTE Y EL PROTECTOR A LA CAJA DEL MECANISMO DE ENGRANAJE CON LOS 4 TORNILLOS SUMINISTRADOS. LA PARTE SUPERIOR DEL SOPORTE DEBE QUEDAR NIVELADA CON LA PARTE SUPERIOR DEL PROTECTOR. APRIETE FIRMEMENTE LOS TORNILLOS CON UNA LLAVE ALLEN DE 4 mm.

## INSTRUCCIONES DE INSTALACIÓN DEL MANILLAR TIPO BICICLETA

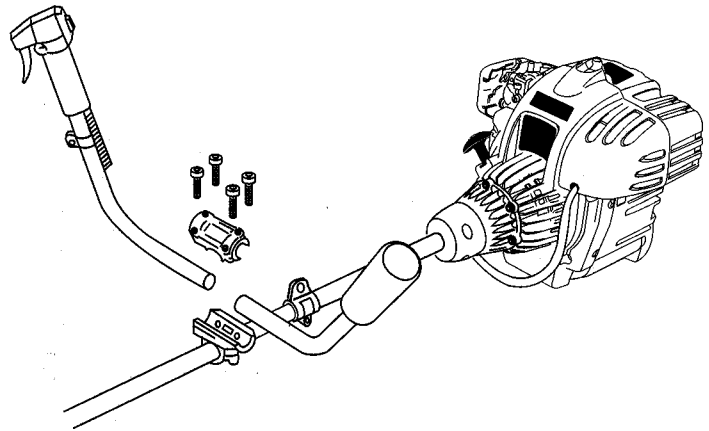


Fig. 3

### INSTALACIÓN DEL MANILLAR TIPO BICICLETA

- Instale el conjunto de sujeción en el tubo del eje.
- La parte superior del sujetador debe tocar la flecha localizada en la calcomanía en el tubo.
- Deje los tornillos y las tuercas ligeramente flojos.
- Monte los manillares en una localización que sea confortable para el usuario.
- Apriete los tornillos.

### CONEXIÓN DEL ACELERADOR EN EL MANILLAR TIPO BICICLETA

- Conecte el control del acelerador en el manillar tipo bicicleta.
- Deslice el revestimiento del cable por encima de los 2 alambres que vienen del acelerador y conecte los cables para acoplar los conectores con los alambres que vienen del motor.
- Deslice el revestimiento para cubrir todos los alambres expuestos.

### CONEXIÓN DEL CABLE DEL ACELERADOR EN EL MOTOR

- Corra el cable del acelerador por debajo del marco del tubo principal y conéctelo en el orificio por debajo del acelerador.
- Rote el acelerador en el motor e inserte el cable del acelerador.  
**NOTA:** El cable del acelerador debe quedar en frente del tubo del respiradero.
- Apriete el control del acelerador para comprobar el recorrido del acelerador en el motor.

### ASEGURAMIENTO DEL CABLE Y LOS ALAMBRES

- Use 3 envolturas en el cable para asegurar el cable a la unidad.
- Una en la curva del manillar tipo bicicleta.
- Una en el tubo principal cerca al sujetador del manillar tipo bicicleta.
- Una en el tubo principal cerca al motor.



## USO DE LA CUCHILLA DE CORTE



**ADVERTENCIA:** Protéjase siempre los ojos, los oídos, los pies y el cuerpo para reducir el riesgo de lesiones mientras opera esta unidad.



**ADVERTENCIA:** No use la cuchilla de corte para bordear o como un bordeador. Podrían ocurrirle graves lesiones personales a usted o a otras personas.

Antes de operar la unidad con una cuchilla de corte, adopte la postura de operación (Fig. 4). Refiérase al aparte *Cómo Sostener la Guadaña*.



Fig. 4

### Consejos de Operación con la Cuchilla de Corte

Para establecer un procedimiento de corte con ritmo:

- Asiente firmemente los pies, separándolos confortablemente.
- Lleve el motor a todo acelerador antes de entrar en el material que va a ser cortado. Una cuchilla acelerada completamente tiene la máxima potencia de corte y es menos probable que se trabo, se atasque o que ocasione un deslizamiento (lo que puede ocasionar lesiones personales graves al operador o a otras personas).



**ADVERTENCIA:** Un deslizamiento de la cuchilla puede ocurrir cuando la rotación de la cuchilla tiene contacto con un objeto que no corta inmediatamente. Un deslizamiento de la cuchilla puede ser lo suficientemente violento para hacer que la unidad y/o el operador sean empujados en cualquier dirección, y ocasionar posiblemente la pérdida de control de la unidad. Un deslizamiento de la cuchilla puede ocurrir si no se advierte que la cuchilla se enreda, se atasca o se trava. Esto es más factible de que ocurra en áreas donde se hace difícil ver el material que esta siendo cortado.

- Corte mientras balancea la parte superior de su cuerpo de derecha a izquierda.
- Libere siempre la palanca de accionamiento del acelerador y deje que el motor retorne a la velocidad de ralentí cuando no esté cortando.
- Cuando usted haya terminado, desabroche la unidad del arnés antes de quitarse el arnés.
- Inspeccione si hay objetos escondidos, tales como pedazos de rocas, raíces, etc, los cuales puedan ocasionar un contragolpe a la cuchilla.
- Asegúrese que el Manillar tipo "J", el Protector y los Tirantes del Arnés sean instalados de acuerdo a las instrucciones de montaje.



**ADVERTENCIA:** La cuchilla continúa girando después de haber apagado el motor. El movimiento de la cuchilla por inercia puede cortarlo gravemente si usted llegara a tocar la cuchilla por accidente.

- Balancear la unidad en la misma dirección que gira la cuchilla, hace que se incremente la acción de corte.
- Después de que devuelva el movimiento de balanceo, adelante a la siguiente área que va a cortar y vuelva a asentar firmemente sus pies.
- La cuchilla de corte está diseñada con un segundo borde cortante. Usted puede o removerla removiendo la cuchilla, girándola al revés, y reinstalándola nuevamente.



**ADVERTENCIA:** No afile la cuchilla de corte. Afilarse la cuchilla puede hacer que la punta de la cuchilla se parta durante el uso. Esto puede ocasionarle graves heridas personales a usted y a otras personas. Cambie la cuchilla.

### ADVERTENCIA: Utilice siempre guantes cuando trabaje con la cuchilla.

Para reducir la posibilidad de que se envuelva material alrededor de la cuchilla, siga los siguientes pasos:

- Corte a todo acelerador.
- Balancee la unidad entrando en el material que va a ser cortado desde su derecha hasta su izquierda (Fig. 5).
- Evite que el material se corte lo justo ya que usted hace el movimiento de balanceo de retorno.



Fig. 5



**ADVERTENCIA:** No despeje todo el material cortado con el motor funcionando o con la cuchilla girando. Para evitar graves lesiones personales, apague el motor. Deje que la cuchilla se detenga antes de remover los materiales envueltos alrededor del eje de la cuchilla.

### COMO SOSTENER LA GUADAÑA



**ADVERTENCIA:** Protéjase siempre los ojos, los oídos, los pies y el cuerpo para reducir el riesgo de lesiones mientras opera esta unidad.

Antes de operar la unidad, adopte una postura para la operación (Fig. 6). Verifique lo siguiente:

- Que el operador esté protegiéndose los ojos y que esté usando la ropa adecuada.
- Que con el brazo derecho ligeramente doblado, la mano del operador esté sosteniendo el mango del eje.
- Que el brazo izquierdo del operador esté derecho sosteniendo la Manija en D.
- Que la unidad esté al nivel de la cintura.
- Que el aditamento de corte esté paralelo con la tierra y que toque fácilmente la grama sin la necesidad de inclinarse.



Fig. 6

**AJUSTE DE LA LONGITUD DEL NYLON DE CORTE**

El aditamento de corte con cabezal de tope le permite aflojar el nylon de corte sin detener el motor. Para desatar más nylon, golpee ligeramente el aditamento de corte en la tierra (Fig. 7) mientras opera la guadaña a alta velocidad.

**NOTA:** Mantenga siempre el nylon de corte completamente extendido. Desatar el nylon se hace más difícil cuando el nylon de corte se vuelve más corto.

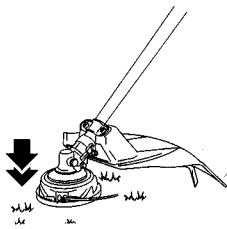


Fig. 7

Cada vez que el cabezal es golpeado, se desata aproximadamente 1 pulgada (25.4 mm) de nylon de corte. Una cuchilla en el protector del aditamento de corte cortará el nylon a la longitud apropiada en caso de que se desate un exceso de nylon.

Para mejores resultados, golpee ligeramente la perilla de tope en la tierra pelada o en el suelo firme. Si usted intenta un aflojamiento de nylon en grama alta, el motor podría ahogarse. Mantenga siempre el nylon de corte completamente extendido. Desatar el nylon se hace más difícil cuando el nylon de corte se vuelve más corto.

**NOTA:** No descance el cabezal de tope en la tierra mientras que esté operando la unidad.

El nylon se reventará por:

- Enredarse con algún material extraño.
- Desgaste normal del nylon.
- Intentar cortar malezas gruesas y de mucho tallo.
- Forzar el nylon en objetos tales como muros o estacones de cercas.

	<p><b>PRECAUCIÓN:</b> No remueva ni altere el conjunto de corte de nylon. Una excesiva longitud del nylon de corte hará que se recaliente el embrague. Esto podría conducir a graves heridas personales o daños en la unidad.</p>
--	---

**CONSEJOS PARA MEJORES RESULTADOS DE CORTE**

- Mantenga el aditamento de corte paralelo a la tierra.
- No fuerce el aditamento de corte, Deje que la punta del nylon haga el corte, especialmente a lo largo de muros. Al cortar con más de la punta se reducirá la eficiencia de corte y se podría recargar el motor.
- Corte la grama a 8 pulgadas (200 mm) trabajando desde la parte superior hasta la inferior en pequeños incrementos para evitar un desgaste prematuro del nylon o un arrastre del motor.
- Corte de derecha a izquierda siempre que sea posible. Cortar hacia la izquierda mejora la eficiencia de corte de la unidad. Los recortes son lanzados a distancia del operador.
- Mueva lentamente la guadaña hacia adentro y hacia fuera del área de corte a la altura deseada. Muévela ya sea hacia adelante o hacia atrás o haga un movimiento de lado a lado. Al cortar longitudes más cortas se producen mejores resultados.
- Corte únicamente cuando la grama y las malezas estén secas.
- La vida de su nylon de corte depende de:
  - Seguir las técnicas de corte.
  - Del tipo de vegetación que se está cortando.
  - De dónde se esté cortando la vegetación.

Por ejemplo, el nylon se desgastará más rápido cuando se corta contra un muro de fundación en comparación con cortar alrededor de un árbol.

**CORTE DECORATIVO**

El corte decorativo se realiza removiendo toda la vegetación alrededor de árboles, estacones, cercas y más. Gire la unidad completa de forma que el aditamento de corte quede a un ángulo de 30° con la tierra (Fig. 8).

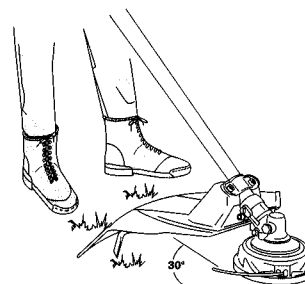



Fig. 8

**Refiérase a su manual del propietario BRIGGS & STRATTON para obtener información relacionada con el motor**

- |                                     |                                  |
|-------------------------------------|----------------------------------|
| 1. Añadir Aceite a una Unidad Nueva | 5. Arranque de un Motor Caliente |
| 2. Aprovechamiento de Combustible   | 6. Mantenimiento del Motor       |
| 3. Arrancar un Motor NUEVO          | 7. Ajustes del Motor             |
| 4. Arranque y Parada                | 8. Servicio y Bodegaje           |
|                                     | 9. Garantía del Motor            |

**E**

**Cuadro de Mantenimiento Periódico**

	<p><b>ADVERTENCIA:</b> Un arranque accidental del motor puede ocasionar lesiones. Remueva siempre la bujía antes de darle servicio al motor para prevenir un arranque accidental.</p>
--	---

**LA FALTA DE MANTENIMIENTO O EL MANTENIMIENTO NO APROPIADO PUEDEN OCASIONAR LESIONES. LA MODIFICACIÓN DE PARTES DE ALGUNA MANERA O LA REMOCIÓN DE CUALQUIER PARTE DE ESTA UNIDAD PUEDE OCASIONAR LESIONES. EL USO DE PARTES O DE COMPONENTES NO CONFORMES PUEDE OCASIONAR LESIONES.**

MANTENIMIENTO	CADA USO	DESPUÉS DE CADA ESTACIÓN O		
		LAS PRIMERAS 10 HORAS	CADA 25 HORAS	CADA 50 HORAS
Cambie aceite*			●*	
Compruebe el nivel de combustible y aprovisione con combustible	●			
Compruebe el nivel de aceite y aprovisione con aceite	●			
Compruebe que los pernos, las tuercas y los tornillos no falten ni estén flojos	●			
Compruebe la operación de la palanca del acelerador	●			
Compruebe la operación del suiche del motor	●			
Compruebe la condición del conjunto del protector	●			
Limpie/cambie el filtro de combustible incorporado en el tanque				●
Limpie el elemento del filtro de aire		●		
Apriete los pernos, las tuercas y los tornillos		●		●
Limpie la bujía y ajuste la separación entre electrodos				●
Remueva el polvo y la suciedad de las aletas del cilindro				●
Remueva los depósitos de carbón en el mofle de escape				●
Limpie la malla del atrapa chispas				●
Revise la lubricación del conjunto de la caja de engranaje				●
Compruebe la lubricación del eje de accionamiento				●
Compruebe la tolerancia de la válvula				●

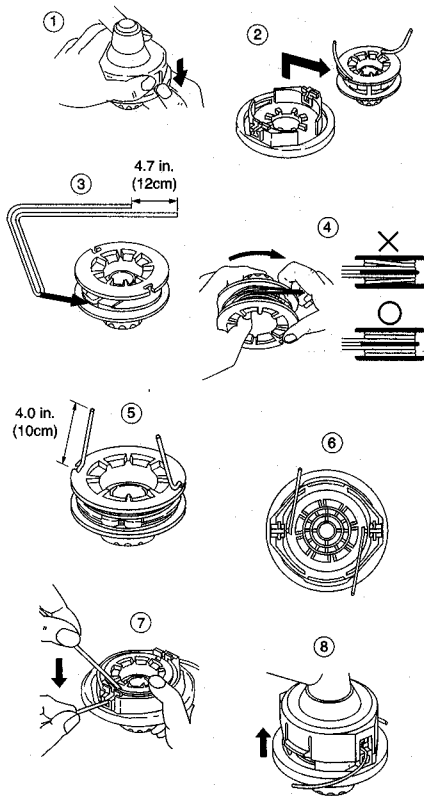
\*Cambie el aceite del motor después de las primeras 4 horas de uso. Por favor refiérase al manual del motor para mayores detalles.

**NOTA:**  
Los intervalos de servicio indicados deben usarse como guía. El servicio debe ser realizado con mayor frecuencia según sea necesario de acuerdo a la condición de la operación.  
Estos puntos deben llevarse a cabo con las herramientas apropiadas.  
Consulte su Distribuidor Autorizado para asuntos relacionados con servicio.

**CAMBIO DEL NYLON**

**PAUTAS DE SEGURIDAD**

1. Apague la guadaña para asegurarse que el cabezal no pueda girar mientras esté trabajando con éste.
2. Revise la instalación del cabezal de corte en la guadaña y apriételo si está flojo.
3. Inspeccione y compruebe si hay desgastes, partes astilladas o grietas. Cambie las partes o el cabezal completo si es necesario.
4. Use siempre el tipo de nylon con el diámetro correcto para esta unidad. No use cable de metal reforzado ni nylon metálico.
5. Asegúrese que los dos trinquetes de retención se extiendan hacia fuera de la periferia de las ventanas de la tapa.
6. Compruebe si existe una desviación o un ruido anormal en el cabezal girándolo con la mano. Una desviación o un ruido anormal podrían dar lugar a vibraciones, lo que causaría que el nylon de corte se pegue. Esto es también potencialmente peligroso.



**REPROVISIONAMIENTO DEL NYLON DE CORTE**

1. Para cambiar el nylon, use un diámetro de .095 pulgadas (2.4 mm). El carrete puede con un nylon de hasta 20 pies (6 m) en el cabezal de 4 pulgadas. Evite usar un nylon más grande ya que este podría acortar el desempeño de la guadaña.
2. Comprima el área ranurada en ambos lados del carrete para desenganchar la tapa inferior.
3. Aparte el carrete y hale el nylon usado. Inserte un extremo del nylon nuevo a través de los orificios del carrete y hálelo hasta que la longitud sea igual entre cada parte del nylon.
4. Enrolle el nylon en la dirección correcta como se indica en el carrete.
5. Enlace cada extremo del nylon en la ranura en el borde del carrete, y después coloque los extremos a través de las guías en la cubierta. Asegúrese que el resorte y las arandelas estén en su lugar.
6. Mientras sostiene el carrete contra la cubierta, hale los extremos del nylon para liberarlos de la ranura.
7. Alinee la ranura en la tapa inferior con el gancho en la cubierta, presione la tapa contra la cubierta hasta que chasquee.

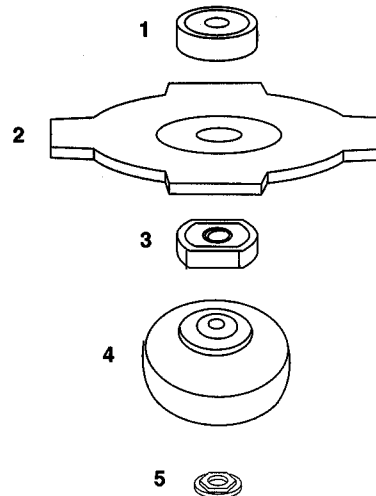
**PAUTAS DE SEGURIDAD**

1. Apague la guadaña para asegurarse que la cuchilla no pueda girar mientras esté trabajando con la cuchilla.
2. Asegúrese que el protector correcto esté firmemente asegurado y en la posición correcta.
3. Use siempre guantes cuando esté trabajando con la cuchilla.
4. No intente nunca afilar la cuchilla. Si la cuchilla está desafilada, rajada, deformada o no balanceada cámbiela por una cuchilla de repuesto fabricada especialmente para esta unidad. Una cuchilla desgastada, dañada o rajada puede partirse y las partes de la cuchilla dañada pueden convertirse en peligrosos proyectiles. Aunque las cuchillas que se consiguen en el mercado pueden ajustarse a esta unidad, es potencialmente peligroso colocar estas cuchillas en su unidad. Use únicamente una cuchilla nueva de 4 puntas 8 pulgadas destinada para esta unidad.

**PROCEDIMIENTO DE CAMBIO:**

1. Inserte una herramienta hexagonal de 1/8 de pulgada, 4 mm o una equivalente completamente por el orificio de la caja de engranaje.
2. Gire la herramienta hasta que usted sienta que la herramienta cae en el hueco en el plato/espaciador de la tapa A. Verifique que la cuchilla no gire. La tuerca de la cuchilla es de rosca izquierda. Gire en sentido de las agujas del reloj para aflojar y en sentido contrario al de las agujas del reloj para apretar. Asegúrese que la herramienta permanezca en el orificio, después afloje la tuerca de la cuchilla como se muestra. Esté atento al orden y la orientación de las partes a medida que éstas son removidas.
3. La instalación es lo contrario a la remoción. Apriete la tuerca de la cuchilla con una llave de torque.

**Apriete de la tuerca de la cuchilla:** 14 libras-pie  
(20 N-M 2.0 KG-M)



**SECUENCIA DE PARTES:**

1. 10223 – Soporte A
2. 10081 – Cuchilla
3. 10226 – Soporte B
4. 10224 – Soporte Tapa
5. 10225 – Tuerca M10

## GUIA PARA LA DETECCIÓN DE FALLAS

### Caso 1. Falla de arranque

REVISE		POSIBLES CAUSAS		ACCIÓN
Tanque de combustible	→	Combustible incorrecto	→	Drénelo y aprovisione con el combustible correcto
Filtro de combustible	→	El filtro de combustible está obstruido	→	Límpielo
Tornillo de velocidad de ralenti del carburador	→	Fuera del límite normal	→	Ajústelo al límite normal
No hay chispa	→	La bujía está sucia/húmeda	→	Límpiala/séquela
	→	La separación entre electrodos de la bujía es incorrecta	→	[Corrija la SEPARACIÓN ENTRE ELECTRODOS a .025" (0.6-0.7 mm)]
Bujía	→	Desconectada	→	Reapriétela

### Caso 2. El motor arranca pero no sostiene la operación/presenta dificultad para arrancarlo nuevamente

REVISE		POSIBLES CAUSAS		ACCIÓN
Tanque de combustible	→	Combustible incorrecto o pasado	→	Drénelo y aprovisione con el combustible correcto
Tornillo de velocidad de ralenti del carburador	→	Fuera del límite normal	→	Ajústelo al límite normal
Mofle, cilindro (puerto de escape)	→	Los depósitos de carbón se están acumulando	→	Límpielos
Filtro de aire	→	Obstruido con polvo	→	Lávelo
Aleta del cilindro, tapa del ventilador	→	Obstruidas con polvo	→	Límpielas

Si su unidad necesita servicio adicional, por favor consulte un distribuidor de servicio autorizado en su área.

## BODEGAJE



**ADVERTENCIA:** Realice los siguientes pasos después de cada uso:

- Deje que el motor se enfríe, y asegure la unidad antes de almacenarla o transportarla.
- Almacene la unidad y el combustible en un área bien ventilada donde los vapores de combustible no puedan alcanzar chispas ni llamas abiertas de calentadores de agua, motores o suiches eléctricos, hornos, etc.
- Almacene la unidad con todos los protectores en su lugar. Ubique la unidad de forma que ningún objeto cortante pueda ocasionar accidentalmente una lesión.
- Almacene la unidad y el combustible bien lejos del alcance de los niños.

### BODEGAJE ESTACIONAL

Prepare la unidad para el bodegaje al final de la temporada o si ésta no va a ser usada durante 30 días o más. Si su unidad va a ser almacenada por un período de tiempo:

- Drene todo el combustible del tanque de combustible en los recipientes apropiados para el bodegaje.
- Presione el bulbo de purga 15 veces para remover todo el combustible del carburador y de las mangueras de combustible. Drene este combustible en los recipientes apropiados. Si se va a desechar el combustible, por favor reflérase a las normas locales para su adecuada destrucción.
- Limpie la unidad completamente antes de un bodegaje largo.
- Almacene en un área limpia y seca.
- Lubrique ligeramente las superficies metálicas externas.
- Esta guadaña puede ser almacenada en una variedad de posiciones. En lo posible, es preferible almacenarla en una posición horizontal con la bujía hacia arriba. La guadaña no debe ser almacenada ni transportada con la bujía hacia abajo.
- Almacenar o transportar la guadaña con la bujía hacia abajo podría producir que salga humo blanco por el mofle o que presente dificultad de arranque.

### SISTEMA DE COMBUSTIBLE

El estabilizador de combustible es una alternativa aceptable para la minimización de la formación de depósitos de goma en el combustible durante el bodegaje. Añada el estabilizador a la gasolina en el tanque de combustible o en el recipiente de almacenamiento del combustible. Siga las instrucciones de mezcla que se encuentran en el recipiente del estabilizador. Opere el motor por lo menos durante 5 minutos después de añadir el estabilizador.

### MOTOR

- Remueva la bujía y vierta 1 cucharadita de aceite para motor grado HD30 por el orificio de la bujía. Hale ligeramente la cuerda de arranque de 8 a 10 veces para distribuir el aceite.
- Cambie la bujía por una nueva del tipo y clasificación de calor recomendados.
- Limpie el filtro de aire.
- Revise la unidad completa y busque tornillos, tuercas y pernos flojos. Cambie cualquier parte que se encuentre dañada, reventada o desgastada.
- Al comienzo de la próxima temporada, use únicamente combustible fresco.

### OTROS

- No guarde gasolina de una estación para otra.
- Cambie su lata de gasolina si ésta comienza a oxidarse.
- Cuando retire la unidad del lugar de bodegaje, use únicamente gasolina fresca. Realice los chequeos de operación rutinarios como se indican en el manual antes de cualquier intento de arranque.

## GARANTÍA

**SNAPPER** garantiza por este medio al comprador detallista original que **TODOS LOS PRODUCTOS NUEVOS** de su propia fabricación están libres de defectos en material y mano de obra, por un período de dos (2) años a partir de la fecha de la compra inicial, sujeto a las siguientes excepciones.

Productos	Uso del consumidor	Uso Comercial/de Renta
Guadañas de Nylon Manuales	2 años	90 días

- La garantía no se extiende a ningún equipo, el cual haya experimentado abuso, negligencia, o que se haya dañado por accidente. Snapper no será responsable de los daños ocasionados por el transporte o la manipulación hechos por algún acarreador común. Bajo ninguna circunstancia, estando o no dentro del período de garantía, la compañía será responsable de daños por pérdida, o daños ocasionados por demoras, o cualquier daño consecuente incluyendo pero sin limitarse a ningún costo o gasto por el suministro de un equipo sustituto o servicio durante periodos de mal funcionamiento o no uso. Snapper reparará o cambiará, sin costo alguno cualquier parte o partes de las unidades que bajo análisis efectuado por cualquier Distribuidor Autorizado de Fábrica o directamente por la Fábrica se encuentren defectuosas en material y o mano de obra por el término de la garantía.
- El cliente es responsable de: (1) el mantenimiento normal tal como engrase, lubricación de la caja del mecanismo de engraje, ajustes menores y (2) transporte de cualquier producto Snapper hacia y desde el lugar donde se lleve a cabo el trabajo de garantía.
- La garantía Snapper **NO SE APLICA** a ningún producto reparado o alterado por algulen distinto a un Distribuidor de Servicio Autorizado o a un Centro de Servicio Autorizado.
- Snapper se reserva el derecho de incorporar cualquier cambio en el diseño de sus productos sin la obligación de hacer cambios en las unidades previamente fabricadas.
- Para la garantía del motor, por favor reflérase al manual Briggs & Stratton.

Masa sin combustible, aditamento de corte, protectores:

<i>Unidad con Manillar Tipo J</i> . . . . .	6.264 kg
<i>Unidad con Manillar Tipo Bicicleta</i> . . . . .	6.292 kg
Volumen del Tanque de Combustible: . . . . .	296 cm <sup>3</sup>
Máximo Desempeño del Motor: . . . . .	0.746 kW
Máxima Frecuencia Rotacional del Eje: . . . . .	6467 RPM
Velocidad del Motor a la Máxima Frecuencia del Eje: . . . . .	8600 RPM
Velocidad del Motor en Mínima: . . . . .	3600 RPM
Consumo de Combustible: . . . . .	0.399 kg/h
Consumo Específico de Combustible: . . . . .	542 g/kWh
Niveles de Vibración para Velocidad de Ralentí y de aceleración máxima:	
<i>Acelerador Totalmente Abierto "de aceleración máxima"</i>	<i>Ralentí</i>
Izquierda = 3.20 m/s <sup>2</sup>	Izquierda = 2.14 m/s <sup>2</sup>
Derecha = 2.76 m/s <sup>2</sup>	Derecha = 2.28 m/s <sup>2</sup>
Niveles de Presión de Sonido: . . . . . Audición del Operador Lp dB(A) = 91.44	

VOIR FIG. **1**

**COUPE BORDURES SST-BC**

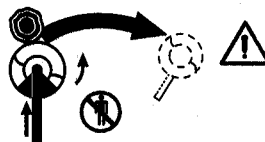
Références	Sur modèle(s)	Quantité	Description
10000	SST-BC /SST-18CL /SST-16CL	1	Étiquette pour le tube
10003BC	SST-BC	1	Sous-ensemble tube
10008	SST-BC	1	Étiquette pour poignée en J
10010	SST-BC /SST-18CL	1	Arbre flexible normal avec butée
10014	SST-16CL/SST-18CL/SST-BC	1	Cône du nez A
10015	SST-16CL/SST-18CL/SST-BC	1	Cône du nez B
10016	SST-16CL/SST-18CL/SST-BC	2	Vis du cône du nez
10017	SST-16CL/SST-18CL/SST-BC	1	Bride de fixation du moteur
10030	SST-BC	1	Bobine à frapper avec fil de diamètre 2,5 mm (0,095")
10052	SST-BC /SST-18CL	1	Support
10053BC	SST-BC	1	Harnais
10061	SST-BC	1	Tube
10064	SST-BC	2	Écrous
10065	SST-BC	2	Rondelles plates
10066	SST-BC	2	Rondelles freins
10067	SST-BC	3	Boulons du capot de la boîte d'engrenage
10068	SST-BC	1	Capot de la boîte d'engrenage
10069	SST-BC	1	Vis du boîtier d'engrenage
10070	SST-BC	1	Vis de la protection
10071	SST-BC	1	4 paliers avec support et couvercle
10072	SST-BC	1	Protection
10073	SST-BC	1	Protection complète
10074	SST-BC	1	Protection PP pour lame de coupe (modèle EU) noire
10075	SST-BC	1	Plaque
10076	SST-BC	1	Lame
10077	SST-BC	2	Rondelles
10078	SST-BC	2	Écrou
10079	SST-BC	2	Tube (L55)
10080	SST-BC	4	5 vis de 18 S
10081	SST-BC	1	Lame scie de 20 cm
10082	SST-BC	1	Levier double action (Starting Industries)
10083	SST-BC	1	Agrafe du câble
10084	SST-BC	1	Poignée en J (complète)
10085	SST-BC	1	Poignée en J
10086	SST-BC	1	Poignée pour tube en J
10087	SST-BC	1	Interrupteur marche/arrêt
10091	SST-BC	1	Bouchon pour poignée en J
10092	SST-BC	1	Patte complète
10093	SST-BC	2	Vis pour support
10094	SST-BC	4	Vis pour support
10095	SST-BC	1	Pontet en U pour patte
10096	SST-BC	1	Support
10097	SST-BC	1	Étiquette
10098	SST-BC	1	Pontet en L pour patte
10219	SST-BC	1	Lame de débroussaillage
10223	SST-BC	1	Entretoise A
10224	SST-BC	1	Entretoise de la protection
10225	SST-BC	1	Écrou M10
10226	SST-BC	1	Entretoise B
Moteur	SST-BC	1	Moteur 34 cm <sup>3</sup> , 4 temps Briggs & Stratton, Modèle 21032 0119 E1

**Poignée en guidon de vélo en option**

10300	Poignée en guidon de vélo SST-BC en option	1	Avec poignée montée
10301	Poignée en guidon de vélo SST-BC en option	1	Avec tube de poignée
10302	Poignée en guidon de vélo SST-BC en option	1	Poignée pour tube en W
10303	Poignée en guidon de vélo SST-BC en option	1	Tube de poignée en W avec trou
10304	Poignée en guidon de vélo SST-BC en option	1	Support complet
10305	Poignée en guidon de vélo SST-BC en option	6	Boulon pour support
10307	Poignée en guidon de vélo SST-BC en option	1	Entretoise A
10308	Poignée en guidon de vélo SST-BC en option	1	Entretoise B
10309	Poignée en guidon de vélo SST-BC en option	1	Poignée C
10310	Poignée en guidon de vélo SST-BC en option	1	Poignée du tube

## TABLE DES MATIÈRES

TABLE DES MATIÈRES	PAGE
VUE ÉCLATÉE DES PIÈCES DE RECHANGE .....	21
RÈGLES DE SÉCURITÉ .....	22-23
REMONTAGE .....	23
PROTECTION DE L'ACCESSOIRE DE COUPE .....	24
INSTRUCTIONS DE MONTAGE DU GUIDON DE VÉLO .....	24
FONCTIONNEMENT .....	25-26
ASSISTANCE ET ENTRETIEN DU MOTEUR .....	27
SERVICE/RÉGLAGES .....	28
DÉPANNAGE .....	29
STOCKAGE .....	29
INFORMATIONS RELATIVES À LA GARANTIE .....	30
DONNÉES TECHNIQUES SST-BC .....	30



### • LA PROJECTION D'OBJETS ET LA LAME TOURNANTE PEUVENT PROVOQUER DES BLESSURES GRAVES

**AVERTISSEMENT :** Ne faites pas fonctionner l'appareil sans la protection de l'accessoire de coupe. N'approchez rien de la partie coupante.

### • FAITES ATTENTION À LA RÉACTION OU AU MOUVEMENT DE REcul DE LA LAME

**AVERTISSEMENT :** La réaction et le mouvement de recul de la lame peuvent être soudains et puissants. Voyez les précautions particulières d'utilisation dans le manuel d'utilisation.

## RÈGLES À RESPECTER POUR LA SÉCURITÉ

### SYMBOLES DE SÉCURITÉ INTERNATIONAUX

Ce mode d'emploi présente les symboles de sécurité internationaux et les pictogrammes qui apparaissent sur ce produit. Lisez-le pour prendre connaissance de toutes les informations de sécurité, d'assemblage, de fonctionnement, d'entretien et de réparation.

#### SYMBOLE



#### SIGNIFICATION

• **SYMBOLE D'ALERTE DE SÉCURITÉ**  
Indique un danger, un avertissement ou une précaution à prendre. Peut être utilisé avec d'autres symboles ou pictogrammes.



• **AVERTISSEMENT - LISEZ LE MODE D'EMPLOI**

Lisez le mode d'emploi et suivez l'ensemble des avertissements et des instructions de sécurité. Le non-respect de cette consigne peut entraîner des blessures graves de l'opérateur et des personnes proches.



• **PROTÉGEZ-VOUS LES YEUX ET LES OREILLES**

**AVERTISSEMENT :** La projection d'objets peut provoquer des blessures aux yeux et l'importance du bruit une perte d'acuité auditive. Lorsque vous utilisez cet appareil, portez une protection pour les yeux qui réponde aux normes ANSI Z87.1 et une pour les oreilles. Utilisez une protection de tout le visage le cas échéant.



• **ÉLOIGNEZ LES PASSANTS**

**AVERTISSEMENT :** Éloignez tous les passants, en particulier les enfants et les animaux domestiques à au moins 15 m de l'appareil.

## ! RÈGLES DE SÉCURITÉ

- Ne laissez personne utiliser cet appareil sans qu'il ait lu et compris les instructions. Ne laissez jamais les enfants faire fonctionner ou jouer avec l'appareil.
- N'utilisez pas cet appareil si vous êtes fatigué, malade ou avez pris de l'alcool, des drogues ou des médicaments.
- Portez des pantalons longs et épais, des bottes, des gants et une chemise à manches longues. Ne portez pas de vêtements amples, de shorts, de sandales et ne soyez pas pieds nus. Attachez vos cheveux pour qu'ils ne dépassent pas le niveau de l'épaule.
- Inspectez l'appareil avant chaque utilisation. Remplacez les pièces endommagées. Vérifiez qu'il n'y a pas de fuite de carburant. Assurez-vous que toutes les agrafes sont en place et serrées. Remplacez les pièces de coupe qui sont fêlées, ébréchées ou endommagées. Assurez-vous que l'accessoire de coupe est correctement installé et solidement fixé. Assurez-vous que la protection de l'accessoire de coupe est en place, dans la position recommandée par le constructeur. N'utilisez que des fils flexibles, non métalliques, recommandés par le constructeur. N'utilisez pas, par exemple, de fils ou de câbles qui peuvent s'arracher et devenir un projectile dangereux.
- Gardez en permanence votre équilibre et un bon appui au sol. Ne tendez pas votre bras trop loin. Conservez l'accessoire de coupe en dessous du niveau de la taille. N'approchez aucune partie de votre corps de l'accessoire de coupe rotatif ni des surfaces chaudes.
- Ne démarrez pas l'appareil et ne l'utilisez pas dans un endroit clos ou dans un bâtiment. L'inhalation des gaz d'échappement peut être mortelle.
- Remplissez le réservoir à l'extérieur, loin de toute flamme ou étincelle. Dévissez lentement le bouchon du réservoir après avoir arrêté le moteur. Ne fumez pas en versant l'essence. Essuyez l'essence renversée sur l'appareil. Éloignez-vous d'au moins 3 m du bidon d'essence et de l'endroit où il est conservé avant de démarrer le moteur.
- Nettoyez la surface à faucher avant chaque usage. Retirez tous les objets (pierres, verre cassé, clous, fils ou câbles) qui peuvent être projetés ou risquent de s'emmêler dans l'accessoire de coupe. Éloignez les passants, les enfants et les animaux de la zone de coupe, d'un rayon d'au moins 15 mètres. Au-delà de 15 mètres, existe toujours le risque d'être atteint en cas de réaction de la lame de coupe ou d'une autre réaction imprévisible du coupe bordures.



## ! RECOMMANDATIONS DE SÉCURITÉ (SUITE)

- Avertissez l'opérateur du danger de réaction de la lame de coupe.
  - Cette réaction risque de se produire quand la lame, tournant à haute vitesse, entre en contact avec un objet qu'elle ne coupe pas immédiatement.
  - Elle peut être suffisamment violente pour repousser l'appareil et l'opérateur dans n'importe quelle direction et lui faire perdre le contrôle de l'appareil.
  - Une réaction peut se produire sans préavis si la lame accroche, cale ou se tord.
  - Elle est plus susceptible de se produire dans les endroits où il est difficile de voir ce que l'on coupe.
- Les poignées et la protection de l'accessoire de coupe doivent être installées selon les instructions. Ne montez pas une lame sur un appareil sans installer correctement toutes les pièces nécessaires. L'utilisation de pièces inappropriées peut entraîner le détachement de la lame de coupe qui pourrait alors gravement blesser l'opérateur ou les passants. N'utilisez pas de lame tordue, gauche, ébréchée, cassée ou endommagée de quelque façon que ce soit. Utilisez une lame aiguisée. Une lame émoussée risque davantage d'accrocher et de réagir.
- L'accessoire de coupe peut être en rotation pendant les réglages du carburateur. Portez votre équipement de protection et respectez toutes les instructions de sécurité. Assurez-vous que l'accessoire de coupe s'arrête quand le moteur fonctionne au ralenti. Quand vous arrêtez l'appareil et avant de le poser, assurez-vous que l'accessoire de coupe ne tourne plus. Une lame qui ralentit peut provoquer des blessures alors qu'elle tourne encore une fois le moteur arrêté par relâchement de la gâchette. Gardez le contrôle sur l'appareil tant que l'accessoire de coupe n'est pas complètement arrêté.

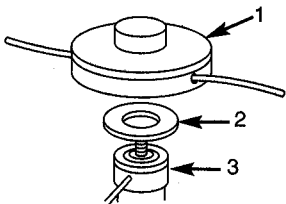


**AVERTISSEMENT :** L'UTILISATION SUR CET APPAREIL D'UNE TÊTE, D'ACCESSOIRES OU DE LAMES DE RECHANGE D'AUTRES PROVENANCES EST DANGEREUSE. N'UTILISEZ QUE DES TÊTES, DES ACCESSOIRES ET DES LAMES FABRIQUÉS PAR SNAPPER ET PRÉVUS POUR CE MODÈLE PARTICULIER.

## INSTRUCTIONS DE MONTAGE

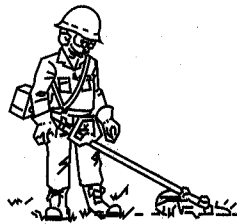
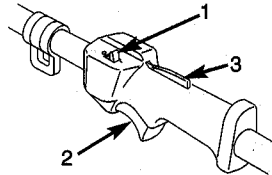
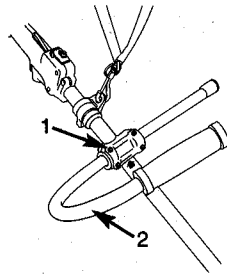
### ■ LISTE DES OUTILS

- Tournevis Phillips ou plat
- Clé six pans Allen de 4 mm
- Clé de 10 mm
- Clé de 17 mm



### ■ MONTAGE DE LA TÊTE DE COUPE

- Reportez-vous à la section Service/ Réglages pour les instructions de démontage de la lame.
- Assurez-vous que la protection contre les débris et l'accessoire de coupe du fil sont correctement installés. Reportez-vous à la section de montage de la protection.
- Bloquez l'engrenage (3) en insérant une clé Allen de 4 mm ou une goupille dans le trou et dans la fente correspondante.
- Mettez la rondelle crantée (2) avec le côté plat vers l'extérieur.
- Pour monter la tête (1), tournez-la dans le sens des aiguilles d'une montre. Serrez-la fermement à la main.
- Pour la démonter, tournez-la dans le sens contraire des aiguilles d'une montre.



- **MONTAGE DE LA POIGNÉE EN « J »**
  - Montez le collier sur le tube. Le haut du collier doit toucher la flèche sur le tube. Ne serrez pas complètement les vis et les écrous.
  - Mettez la poignée en J dans le collier comme illustré. La poignée en J se place du côté droit de l'appareil. Montez la poignée pour que la flèche de la poignée touche le bord du collier.
  - Serrez les vis.
- **INTERRUPTEUR DE SÉCURITÉ**
  - Pour accélérer, serrez le levier (3) avec la paume de la main DROITE. Appuyez ensuite sur la gâchette (2).
  - Pour revenir au ralenti, relâchez la gâchette (2).
  - Pour arrêter l'appareil, repoussez l'interrupteur (1) vers l'avant.
  - Pour démarrer l'appareil, tirez l'interrupteur (1) vers l'arrière.
- **HARNAIS D'ÉPAULE**
  - Placez la courroie sur l'épaule gauche et attachez le crochet à l'œillet du tube du manche.
  - Desserrez la vis de la bride et faites glisser la bride sur le tube, jusqu'à ce que l'appareil soit équilibré, la tête effleurant le sol.
  - Serrez la vis.
  - Notez le dispositif de décrochage rapide.

F

## INSTRUCTIONS DE MONTAGE DE LA PROTECTION DE L'ACCESSOIRE DE COUPE

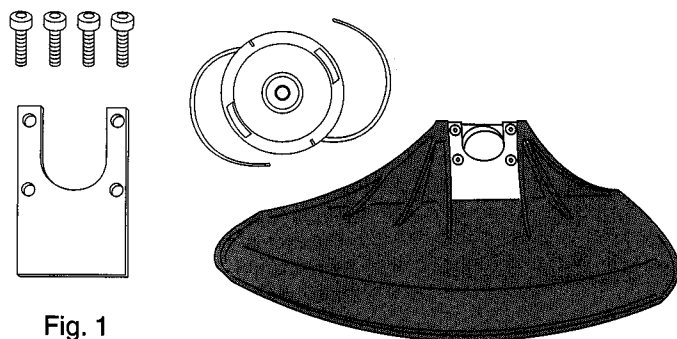
### AVERTISSEMENT !

POUR QUE L'APPAREIL FONCTIONNE CORRECTEMENT ET EN TOUTE SÉCURITÉ, LA PROTECTION CONTRE LES DÉBRIS DOIT ÊTRE FIXÉE AU BON ENDROIT SUR LE BOÎTIER D'ENGRENAGES. IL EST POSSIBLE DE FIXER LA PROTECTION EN POSITION HAUTE OU BASSE.

LORS DE L'UTILISATION DE LA LAME, LA PROTECTION DOIT ÊTRE EN POSITION HAUTE.

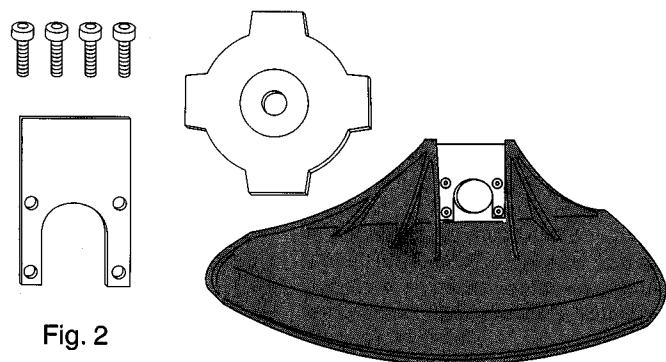
LORS DE L'UTILISATION DU FIL DE COUPE LA PROTECTION DOIT ÊTRE EN POSITION BASSE.

### MONTAGE DE LA PROTECTION POUR LE FIL DE COUPE (POSITION BASSE)



LE COLLIER (FIG. 1) DOIT ÊTRE MONTÉ SUR LA PROTECTION AVEC LE CÔTÉ OUVERT VERS LE HAUT, COMME ILLUSTRÉ. FIXEZ LE COLLIER ET LA PROTECTION SUR LE BOÎTIER D'ENGRENAGE AVEC LES 4 VIS INCLUSES. SERREZ BIEN LES VIS AVEC UNE CLÉ ALLEN DE 4 mm.

### MONTAGE DE LA PROTECTION POUR LA LAME DE COUPE DES BROUSSAILLES (POSITION HAUTE)



LE COLLIER (FIG. 2) DOIT ÊTRE MONTÉ SUR LA PROTECTION AVEC LE CÔTÉ OUVERT VERS LE BAS, COMME ILLUSTRÉ. FIXEZ LE COLLIER ET LA PROTECTION AU BOÎTIER D'ENGRENAGES AVEC LES 4 VIS FOURNIES. LE HAUT DU COLLIER DOIT ÊTRE ALIGNÉ SUR LE HAUT DE LA PROTECTION. SERREZ BIEN LES VIS AVEC UNE CLÉ ALLEN DE 4 mm.

## INSTRUCTIONS DE MONTAGE DU GUIDON DE VÉLO

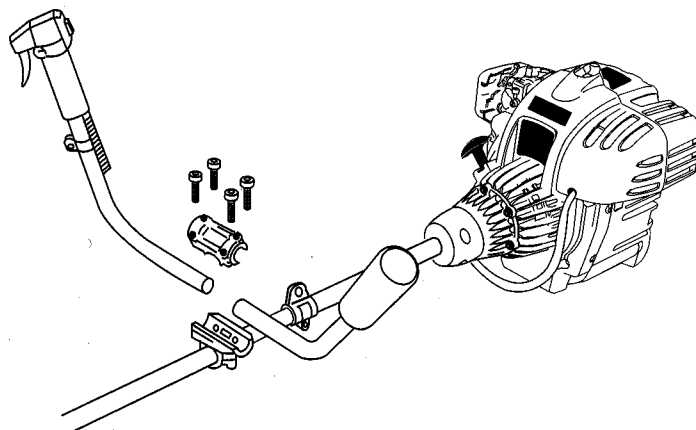


Fig. 3

### MONTAGE DU GUIDON DE VÉLO

- Monter le collier sur le tube.
- Le haut du collier doit toucher la flèche de l'étiquette du tube.
- Ne pas serrer complètement les vis et les écrous.
- Monter les poignées dans une position confortable pour l'utilisateur.
- Serrer les vis.

### RACCORD DE LA COMMANDE D'ACCÉLÉRATION AU GUIDON DE VÉLO

- Fixer la commande d'accélération au guidon de vélo.
- Faire glisser la gaine sur les 2 fils qui sortent de l'accélérateur et raccorder les fils aux connecteurs situés sur les fils provenant du moteur.
- Faire glisser la gaine pour recouvrir toute la longueur exposée des fils.

### RACCORDEMENT DU CÂBLE D'ACCÉLÉRATEUR AU MOTEUR

- Faire passer le câble d'accélérateur sous le tube principal et le brancher dans le trou sous le carburateur.
- Faire tourner le papillon des gaz du moteur et insérer le câble d'accélérateur.  
**REMARQUE :** Le câble d'accélérateur ne doit pas passer devant le tube du reniflard.
- Serrer la commande d'accélération pour vérifier la course de l'accélérateur au moteur.

### FIXATION DU CÂBLE ET DES FILS

- Utiliser 3 attaches pour fixer le câble sur l'appareil.
- Une à la courbure du guidon.
- Une sur le tube principal, près du collier du guidon.
- Une sur le tube principal près du moteur.

# INSTRUCTIONS DE FONCTIONNEMENT

## UTILISATION DE LA LAME DE COUPE

**AVERTISSEMENT** : Lors de l'utilisation de l'appareil, portez toujours des protections pour les yeux, les oreilles, les pieds et le corps afin de réduire le risque de blessure.

**AVERTISSEMENT** : N'utilisez pas la lame coupante pour les bordures. Il pourrait en résulter des blessures graves pour vous-même ou pour les autres.

Avant d'utiliser l'appareil avec la lame, positionnez-vous correctement (Fig. 4). Référez-vous à *Prise en main du coupe bordures*.



Fig. 4

### Conseils de fonctionnement avec la lame

Pour que la coupe soit rythmée :

- Tenez-vous solidement sur vos deux pieds, bien écartés.
- Laissez le moteur atteindre son régime maximum avant de commencer à couper. Au régime maximum, la lame a la plus grande force de coupe et a moins de chance de se tordre, de caler ou de réagir (ce qui peut entraîner des blessures graves pour l'opérateur ou les autres).

**AVERTISSEMENT** : La lame peut réagir quand elle entre en contact avec un objet qu'elle ne peut pas couper immédiatement. La réaction de la lame peut être suffisamment violente pour renvoyer l'appareil et l'opérateur dans n'importe quelle direction et éventuellement lui faire perdre le contrôle de l'appareil. Elle peut se produire à n'importe quel moment, sans préavis, si la lame s'accroche, cale ou se tord. Cela a plus de risques de se produire dans les endroits où il est difficile de voir ce que l'on coupe.

- Coupez tout en faisant pivoter la partie supérieure de votre corps de la droite vers la gauche.
- Lâchez la gâchette de l'accélérateur et laissez le moteur revenir au ralenti quand vous ne coupez pas.
- Quand vous avez terminé, décrochez l'appareil du harnais avant d'enlever le harnais.
- Faites attention aux obstacles cachés, comme des roches enfouies, des racines, etc., qui pourraient entraîner une réaction de la lame.
- Assurez-vous que la poignée en « J », la protection de l'outil de coupe et le harnais sont installés selon les instructions.

**AVERTISSEMENT** : La lame continue à tourner une fois le moteur arrêté. Une lame qui ralentit peut vous couper sérieusement si vous la touchez par mégarde.

- Balancez l'appareil dans le sens de rotation de la lame ; cela augmente la force de coupe.
- Après le balancement de retour, avancez vers la bande suivante à couper et repositionnez fermement vos pieds.
- La lame comporte deux bords tranchants. Pour utiliser le second bord, retirez, retournez et remontez la lame.

**AVERTISSEMENT** : N'aiguiser pas le tranchant de la lame car cela peut rendre les pointes cassantes à l'usage et entraîner des blessures graves pour vous-même ou pour les autres. Remplacez la lame.

**AVERTISSEMENT** : Mettez des gants pour travailler sur la lame. Pour éviter que des herbes ne s'enroulent sur la lame, suivez les conseils suivants :

- Coupez à plein régime.
- Balancez l'appareil de droite à gauche quand vous coupez (Fig. 5).
- Évitez de repasser sur ce qui vient d'être coupé pendant le balancement de retour.



Fig. 5

**AVERTISSEMENT** : Ne retirez pas les plantes coupées pendant que le moteur ou la lame tourne. Pour éviter de graves blessures, arrêtez le moteur. Laissez à la lame le temps de s'arrêter avant de retirer les plantes enroulées autour de la lame.

### PRISE EN MAIN DU COUPE BORDURES

**AVERTISSEMENT** : Lors de l'utilisation de l'appareil, portez toujours des protections pour les yeux, les oreilles, les pieds et le corps afin de réduire le risque de blessure.

Avant de faire fonctionner l'appareil, mettez-vous en position de travail (Fig. 6). Vérifiez ce qui suit :

- L'opérateur porte les protections pour les yeux et les vêtements qui conviennent.
- Le bras droit est légèrement plié et tient la poignée du manche.
- Le bras gauche est tendu et la main gauche tient la poignée en D.
- L'appareil est au niveau de la taille.
- L'accessoire de coupe est parallèle au sol et atteint l'herbe facilement sans qu'il soit nécessaire de se pencher.



Fig. 6

### RÉGLAGE DE LA LONGUEUR DU FIL DE COUPE

La tête à frapper de l'accessoire de coupe permet de rallonger le fil de coupe sans avoir à arrêter le moteur. Pour rallonger le fil de coupe, frappez légèrement l'accessoire de coupe contre le sol (Fig. 7) tout en faisant fonctionner le coupe bordures à fond.

**REMARQUE :** Le fil de coupe doit toujours avoir la longueur maximale. Il est plus difficile de faire sortir le fil quand il devient plus court.

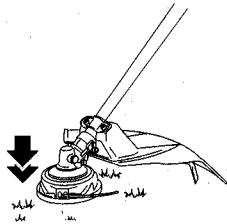


Fig. 7

Chaque fois que l'on frappe la tête contre le sol, environ 25 mm de fil de coupe sortent. Une lame incorporée à la protection de l'accessoire de coupe sectionne le fil à la bonne longueur si la longueur totale est trop importante.

Pour une utilisation optimale, frappez le bouton de la tête sur un sol dur ou nu. Si vous essayez de sortir le fil dans une herbe haute, le moteur risque de caler. Le fil doit toujours être le plus long possible. Il est plus difficile de faire sortir du fil quand ce dernier est trop court.

**REMARQUE :** Ne posez pas la tête à frapper contre le sol pendant le fonctionnement de l'appareil.

Le fil peut se casser dans les cas suivants :

- Accrochage à des corps étrangers.
- Usure normale du fil.
- Tentative de coupe de mauvaises herbes à tiges épaisses.
- Utilisation forcée du fil contre certains objets tels que murs ou poteaux.



**ATTENTION :** N'enlevez pas la lame de coupe du fil et ne la modifiez pas. Un fil trop long fait surchauffer l'embrayage. Cela peut entraîner des blessures graves ou endommager l'appareil.

### CONSEILS POUR UNE MEILLEURE COUPE

- Maintenez l'accessoire de coupe parallèle au sol.
- Ne forcez pas l'accessoire de coupe. Laissez l'extrémité du fil faire le travail, en particulier le long des murs. L'utilisation d'une plus grande longueur de fil réduit l'efficacité et peut surcharger le moteur.
- Coupez l'herbe de plus de 200 mm en descendant progressivement pour éviter une usure prématurée ou que le moteur cale.
- Coupez, dans la mesure du possible, de droite à gauche, car cela améliore l'efficacité de la coupe. Les herbes coupées sont rejetées à l'opposé de l'opérateur.
- Entrez et sortez lentement de la zone à coupe à la hauteur voulue. Déplacez-vous d'avant en arrière ou latéralement. Une coupe par petites hauteurs donne de meilleurs résultats.
- N'utilisez l'appareil que lorsque l'herbe et les mauvaises herbes sont sèches.
- La durée de vie de votre fil de coupe dépend des éléments suivants
  - Respect des techniques de coupe.
  - Type de végétation coupée.
  - Lieu d'utilisation de l'appareil.

Par exemple, le fil s'use plus vite quand on coupe le long d'un mur de fondation qu'autour d'un arbre.

### COUPE DÉCORATIVE

La coupe décorative consiste à enlever toute végétation autour des arbres, des poteaux, des haies ou autres. Basculez l'appareil en entier pour que l'accessoire de coupe se trouve à un angle de 30° par rapport au sol (Fig. 8).

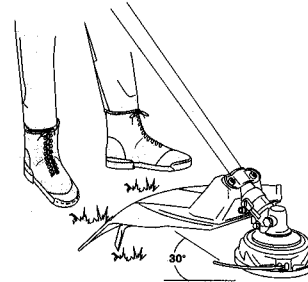



Fig. 8

**Consultez les informations concernant le moteur dans le manuel d'utilisation BRIGGS & STRATTON**

- |  |                                |
|--|--------------------------------|
| 1. Faire le plein d'huile d'un appareil neuf | 5. Démarrage d'un moteur chaud |
| 2. Faire le plein                            | 6. Entretien du moteur         |
| 3. Démarrage d'un moteur NEUF                | 7. Réglages du moteur          |
| 4. Démarrage et arrêt                        | 8. Service et stockage         |
|  | 9. Garantie moteurs            |

**Tableau d'entretien périodique**

	<p><b>PRUDENCE :</b> Un démarrage accidentel du moteur peut entraîner des blessures. Retirez toujours la bougie avant d'intervenir sur le moteur pour éviter un démarrage intempestif.</p>
--	--

**UN ENTRETIEN MAL FAIT OU INEXISTANT PEUT ENTRAÎNER DES BLESSURES. LA MODIFICATION DES PIÈCES DE QUELQUE MANIÈRE QUE CE SOIT OU LE RETRAIT D'UNE PIÈCE DE CET APPAREIL PEUT ENTRAÎNER DES BLESSURES. L'UTILISATION DE PIÈCES OU DE COMPOSANTS NON CONFORMES PEUT ENTRAÎNER DES BLESSURES.**

ENTRETIEN	À CHAQUE UTILISATION	À LA FIN DE CHAQUE SAISON OU		
		APRÈS LES 10 PREMIÈRES HEURES	TOUTES LES 25 HEURES	TOUTES LES 50 HEURES
Changez l'huile*			●	
Vérifiez le niveau du réservoir de carburant et refaites le plein	●			
Vérifiez le niveau d'huile et refaites le plein	●			
Vérifiez la présence et le serrage des boulons, écrous et vis	●			
Vérifiez le fonctionnement du levier d'accélérateur	●			
Vérifiez le fonctionnement de l'interrupteur du moteur	●			
Vérifiez le montage de la protection	●			
Nettoyez ou remplacez le filtre à essence du réservoir				●
Nettoyez le filtre à air		●		
Resserrez les boulons, écrous et vis		●		●
Nettoyez les électrodes de la bougie et réglez-en l'écartement				●
Retirez la poussière et la boue des ailettes du moteur				●
Retirez les dépôts de carbone dans le silencieux				●
Nettoyez l'écran du pare-étincelles				●
Vérifiez la lubrification du boîtier d'engrenages				●
Vérifiez la lubrification de l'arbre d'entraînement				●
Contrôler le jeu des soupapes				●

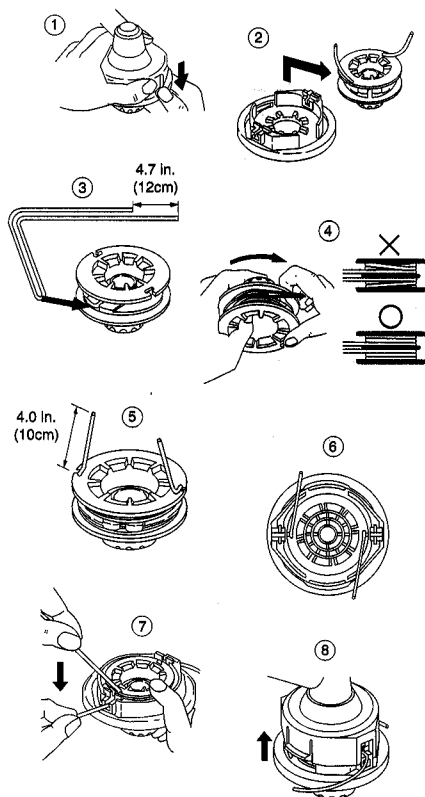
\*Changez l'huile moteur après les 4 premières heures de fonctionnement. Veuillez vous référer au manuel du moteur.

**NOTE :**  
Les intervalles entre les interventions ne sont que des indications. Il est bon d'intervenir plus fréquemment si les conditions de fonctionnement l'exigent.  
Ces interventions doivent être faites avec les bons outils.  
Contactez votre Réparateur Agréé pour toute réparation.

## REPLACEMENT DU FIL

## RÈGLES DE SÉCURITÉ

1. Arrêtez le coupe bordures pour être sûr que la tête ne risque pas de tourner en cours d'intervention.
2. Vérifiez le montage de la tête de coupe et, en présence de jeu, serrez-la.
3. Inspectez la tête pour voir s'il y a du jeu, si elle est ébréchée ou cassée. Remplacez les pièces ou toute la tête le cas échéant.
4. Utilisez un fil du diamètre et du type correspondant à cet appareil. **N'utilisez pas** de fil métallique ou renforcé métal.
5. Assurez-vous que les deux cliquets de retenue sont placés à la périphérie des fenêtres du couvercle.
6. Vérifiez que la tête n'est pas tordue et qu'elle ne produit aucun son anormal en la faisant tourner à la main. Une déflexion ou un bruit anormal peut être la cause de vibrations qui entraîneront le **soudage du fil de coupe sur lui-même**. Cela risque aussi d'être dangereux.



## REPLACEMENT DU FIL DE COUPE

1. Le fil de rechange doit avoir un diamètre de 2,4 mm. La bobine contient 6 m dans la tête de 10 cm. N'utilisez pas un fil plus long car cela peut réduire les performances de coupe.
2. Pincez les deux côtés de la bobine, au niveau des fentes, pour décrocher le couvercle du fond.
3. Retirez la bobine et déroulez le reste de l'ancien fil. Mettez une extrémité du nouveau fil dans les trous de la bobine et tirez-le jusqu'à ce que sa longueur soit la même des deux côtés.
4. Enroulez le fil dans le sens indiqué sur la bobine.
5. Accrochez chaque extrémité du fil au bord de la bobine et passez les extrémités dans les œilletons du boîtier. Assurez-vous que le ressort et les rondelles sont en place.
6. Tout en maintenant la bobine contre le boîtier, tirez les extrémités du fil pour les faire sortir de la fente.
7. Alignez la fente du couvercle intérieur et le crochet du boîtier, appuyez le couvercle contre le boîtier jusqu'à ce qu'il s'encliquette.

## REPLACEMENT DE LA LAME

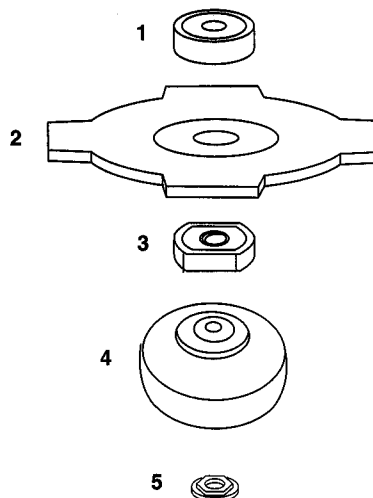
## RÈGLES DE SÉCURITÉ

1. Arrêtez le coupe bordures pour être sûr que la tête ne risque pas de tourner en cours d'intervention.
2. Assurez-vous que la bonne protection est correctement attachée dans la bonne position.
3. Portez des gants pour travailler sur la lame.
4. N'essayez pas d'aiguiser la lame. Si la lame est émoussée, ébréchée, tordue ou n'est plus équilibrée, remplacez-la par le modèle fabriqué spécialement pour cet appareil. Une lame usée, endommagée ou ébréchée peut se casser et ses pièces peuvent devenir de dangereux projectiles. Bien que des lames de rechange d'autres marques puissent s'adapter à cet appareil, il est dangereux de les installer. N'utilisez que des lames de débroussaillage de 4,8 pouces (12,2 cm) prévues à cet effet.

## PROCÉDURE DE REMPLACEMENT :

1. Insérez à fond une clé Allen de 4 mm ou une goupille dans le trou du carter d'engrenages.
2. Tournez la lame jusqu'à ce que vous sentiez la clé s'enfoncer dans le trou de l'entretoise de la protection et de l'entretoise A. Vérifiez que la lame ne tourne pas. L'écrou de maintien de la lame tourne à gauche. Tournez-le vers la droite pour le desserrer et vers la gauche pour le serrer. Faites attention à ce que l'outil reste dans le trou et desserrez l'écrou comme illustré. Au démontage, notez bien l'ordre et l'orientation de chaque pièce pour le remontage.
3. Le remontage se fait dans l'ordre inverse du démontage. Serrez l'écrou de la lame avec une clé dynamométrique.

Couple de serrage de l'écrou de la lame : 20 Nm ou 2 kg.m



## ORDRE DES PIÈCES :

1. 10223 - Entretoise A
2. 10081 - Lame
3. 10226 - Entretoise B
4. 10224 - Entretoise de la protection
5. 10225 - Écrou M10

**Cas 1. Problème de démarrage**

VÉRIFICATION	CAUSE PROBABLE	ACTION
Réservoir d'essence	→ Mauvaise essence	→ Vidanger et remplir avec de l'essence correcte
Filtre à essence	→ Le filtre à essence est encrassé	→ Nettoyer
Vis de réglage du ralenti du carburateur	→ Mal réglée	→ Régler dans la plage normale
Pas d'étincelle	→ La bougie est encrassée ou mouillée	→ Nettoyer ou sécher
	→ L'écartement des électrodes n'est pas bon	→ [ÉCARTEMENT correct entre 0,6 et 0,7 mm]
Bougie	→ Débranchée	→ Resserrer

**Cas 2. Le moteur démarre mais a du mal à fonctionner et est difficile à redémarrer**

VÉRIFICATION	CAUSE PROBABLE	ACTION
Réservoir d'essence	→ Mauvaise essence ou essence éventée	→ Vidanger et remplir avec de l'essence correcte
Vis de réglage du ralenti du carburateur	→ Mal réglée	→ Régler dans la plage normale
Silencieux, cylindre (soupape d'échappement)	→ Accumulation de calamine	→ Nettoyer
Filtre à air	→ Encrassé	→ Laver
Ailettes du moteur, couvercle de la turbine	→ Encrassés	→ Nettoyer

Si votre appareil a besoin d'un entretien complémentaire, consultez le Réparateur Agréé le plus proche de chez vous.



**AVERTISSEMENT** : après chaque utilisation, respectez les étapes suivantes :

- Laissez refroidir le moteur et bloquez l'appareil avant de le ranger ou de le transporter.
- Rangez l'appareil et l'essence dans un endroit bien ventilé où les vapeurs d'essence ne risquent pas d'être proche d'étincelles ou des flammes de chauffe-eau, de moteur électrique, de four, etc.
- Rangez l'appareil avec toutes ses protections en place et de façon à ce qu'un angle coupant ne puisse pas provoquer de blessure accidentelle.
- Rangez l'appareil et l'essence hors de portée des enfants.

**HIVERNAGE**

Préparez l'appareil pour le ranger à la fin de la saison ou s'il n'est pas prévu de l'utiliser dans les 30 jours. Si votre appareil doit être rangé pendant un certain temps :

- Vidangez toute l'essence du réservoir dans des récipients appropriés au stockage.
- Appuyez une quinzaine de fois sur la poire d'amorçage pour purger toute l'essence du carburateur et des conduits. Recueillez cette essence dans des récipients appropriés. Si vous envisagez de vous débarrasser de cette essence, veuillez vous référer à la réglementation locale.
- Nettoyez complètement l'appareil avant un stockage prolongé.
- Stockez dans un endroit sec et propre.
- Huilez légèrement les surfaces métalliques.
- Ce coupe bordures peut être stockée dans différentes positions. Si cela est possible, mieux vaut le placer en position horizontale, la bougie orientée vers le haut. Il ne faut pas le stocker ni le transporter avec la bougie vers le bas.
- En effet, cela peut provoquer une fumée blanche à l'échappement ou des difficultés de démarrage.

**SYSTÈME D'ALIMENTATION EN CARBURANT**

Le stabilisateur d'essence est une bonne solution pour éviter les dépôts de gomme pendant le stockage. Ajoutez-en à l'essence dans le réservoir ou dans le récipient de stockage. Respectez les instructions de mélange inscrites sur le bidon de stabilisateur. Faites fonctionner le moteur pendant au moins 5 minutes après avoir ajouté le stabilisateur.

**MOTEUR**

- Retirez la bougie et versez une cuillère à café d'huile moteur HD30 dans le trou de bougie. Tirez lentement la corde du démarreur 8 ou 10 fois pour répartir l'huile.
- Remplacez la bougie par une neuve du type et de la classe recommandés.
- Nettoyez le filtre à air.
- Inspectez l'appareil pour voir s'il n'y a pas de vis, de boulon ou d'écrou desserré. Remplacez toute pièce endommagée ou usée.
- Au début de la nouvelle saison, n'utilisez que de l'essence récente.

**AUTRES**

- Ne stockez pas d'essence d'une saison à l'autre.
- Remplacez votre récipient d'essence quand il commence à rouiller.
- Après une période de stockage, n'utilisez que de l'essence fraîche. Avant tout démarrage, procédez aux opérations normales décrites dans le manuel.

## GARANTIE

**SNAPPER** garantit au premier acheteur particulier TOUS les produits NEUFS de sa fabrication contre tout défaut de matériau ou de fabrication pendant une période de deux (2) ans à compter de la date d'achat initiale, avec les exceptions suivantes.

Produits	Usage privé	Usage commercial/pour la location
Taille-bordures à fil portables	2 ans	90 jours

- La garantie ne s'applique pas aux équipements mal utilisés, négligés ou endommagés par accident. Snapper n'est pas responsable des dommages résultant du transport ou de la manutention par un transporteur. En aucun cas, en période de garantie comme après, la société ne sera tenue pour responsable de dommages découlant d'une perte, d'un retard ni de dommages indirects, y compris, sans que cela ne soit exhaustif, les coûts ou les dépenses liés à un équipement ou un service de substitution pendant les périodes de non-fonctionnement. Snapper réparera ou remplacera, à ses frais, toute pièce ou partie d'appareil qui sera examinée et dont le défaut de matériau ou de fabrication sera reconnu par un Réparateur Agréé ou par l'usine elle-même dans le cadre de la garantie.
- La responsabilité du consommateur est engagée aux niveaux suivants : (1) entretien normal comme graissage, lubrification des engrenages, réglages mineurs, et (2) transport d'un produit Snapper vers et de l'endroit où le travail sous garantie est effectué.
- La garantie de SNAPPER NE S'APPLIQUE PAS aux produits réparés ou altérés par quiconque autre qu'un distributeur ou un Réparateur Agréés.
- Snapper se réserve le droit de modifier la conception de ses produits sans avoir à modifier les appareils déjà fabriqués.
- La garantie du moteur est expliquée dans le manuel Briggs & Stratton.

## DONNÉES TECHNIQUES SST-BC

Masse sans carburant, accessoire de coupe ni protections :		
<i>Modèle à poignée en J</i> .....		6,264 kg
<i>Modèle avec poignée en guidon de vélo</i> .....		6,292 kg
Volume du réservoir de carburant : .....		296 cm <sup>3</sup>
Puissance maximale du moteur : .....		0,746 kW
Vitesse de rotation maximale de l'arbre : .....		6 467 tr/min
Vitesse de rotation du moteur à la vitesse maximale de rotation de l'arbre : ...		8 600 tr/min
Vitesse de rotation du moteur au ralenti : .....		3 600 tr/min
Consommation de carburant : .....		0,399 kg/h
Consommation spécifique : .....		542 g/kWh
Niveau de vibrations au ralenti et à pleine vitesse :		
<i>Accélérateur grand ouvert "plein gaz"</i>	<i>Ralenti</i>	
Main gauche = 3,20 m/s <sup>2</sup>	Main gauche = 2,14 m/s <sup>2</sup>	
Main droite = 2,76 m/s <sup>2</sup>	Main droite = 2,28 m/s <sup>2</sup>	
Niveau sonore : .....	Au niveau de l'oreille de l'opérateur dB(A) = 91,44	



## Free Manuals Download Website

<http://myh66.com>

<http://usermanuals.us>

<http://www.somanuals.com>

<http://www.4manuals.cc>

<http://www.manual-lib.com>

<http://www.404manual.com>

<http://www.luxmanual.com>

<http://aubethermostatmanual.com>

Golf course search by state

<http://golfingnear.com>

Email search by domain

<http://emailbydomain.com>

Auto manuals search

<http://auto.somanuals.com>

TV manuals search

<http://tv.somanuals.com>