

Parts Manual for
SNAPPER®

**21" STEEL DECK
WALK BEHIND MOWERS
SERIES 18**



PUSH MODELS	PROPELLED MODELS
216518B	EP217018BV ERP217018BV P216018KWV P216518B P217018BV P217018BVE RP216018KWV RP217018BV RP217018BVE

SNAPPER® McDonough, GA, 30253 U.S.A.

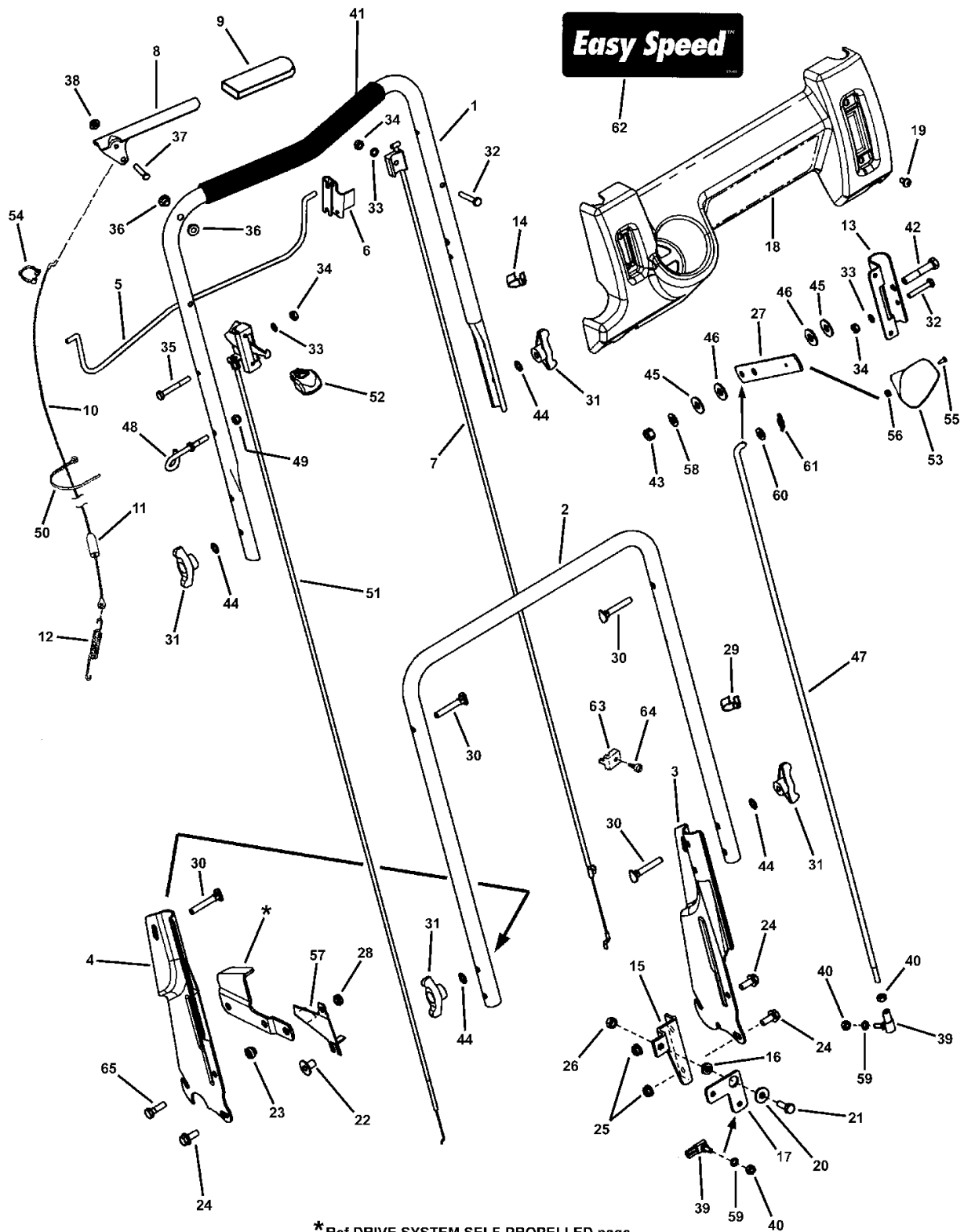
COPYRIGHT © 2005
SNAPPER PRODUCTS, INC.
ALL RIGHTS RESERVED.

Revision 1, 9/9/2005

**Manual No. 7006139
TP 400-5047-1-WB-N**

PAGE	GROUP
4	HANDLES & CONTROLS
8	CUTTING DECK, BLADES
12	FRONT WHEEL BRACKET
14	REAR WHEEL BRACKETS, LATCHES
16	FRONT WHEELS
18	REAR WHEELS
20	DRIVE SYSTEM SELF-PROPELLED
24	TRANSMISSION (DIFFERENTIAL)
26	THROTTLE CONTROLS/ENGINE SPECS
28	SIDE CHUTE ADAPTER
30	ACCESSORY GRASS BAG
32	ELECTRIC START COMPONENTS
34	DECALS
36	SNAPPERIZER ACCESSORY
38	THATCHERIZER ASSEMBLY
40	RECYCLING KITS ACCESSORY

HANDLES & CONTROLS



* Ref DRIVE SYSTEM SELF-PROPELLED page, Item 2

HANDLES & CONTROLS

Item	Part No	Qty	Description	Note
1	7074411	1	HANDLE, Upper	All
2	7074156	1	HANDLE, Middle	All
3	7033985	1	HANDLE, Lower LH (Adjustable)	All
4	7033986	1	HANDLE, Lower RH (Adjustable)	All
5	7074418	1	BAIL, OPC Control	All
6	7034872	1	CLIP, Zone Control	All
7	7034608	1	*CABLE, Zone Control (52-63/64" Long)	
7	7078078	1	CABLE, Zone Control (50-31/64" Long)	P217018BVE & RP217018BVE
7	7074141	1	CABLE, Zone Control (56-5/16" Long)	P216018KWV & RP216018KWV
8	7074473	1	HANDLE, Clutch	Self-Propelled Models
9	7028407	1	GRIP, International Symbol	Self-Propelled Models
10	7034604	1	CABLE, Clutch Control (41-1/4" Long)	Self-Propelled Models
11	7012121	1	COVER, Vinyl	Self-Propelled Models
12	7012122	1	SPRING, Clutch- 21S	Self-Propelled Models
13	7074003	1	BRACKET, Shift	All
14	7024641	2	TIE, Wire, 1.29 long, black	Self-Propelled Models
15	7073822	1	BRACKET, Bell Crank	Self-Propelled Models
16	7013849	1	SPACER, .33 x .63 x .156	Self-Propelled Models
17	7073913	1	BELL CRANK	Self-Propelled Models
18	7073826	1	CONTROL PANEL (w/o Ground Drive Slot)	216518B
18	7074140	1	**CONTROL PANEL (w/o Electrical Switch Hole)	
18	7074469	1	CONTROL PANEL (w/Electrical Switch Hole)	P217018BVE & RP217018BVE
19	7091200	4	SCREW, 1/4-20 x 1/2" Pan Head Self-Tap (Torx)	All
20	7091130	1	WASHER, .33 x .88 x .09 Flat	Self-Propelled Models
21	7091904	1	SCREW, 5/16-18 x 7/8" Hex Head Cap, GR 5	Self-Propelled Models
22	7090895	1	TEENUT, 5/16-18	Self-Propelled Models
23	7012114	1	BUSHING, Differential, .328 x .625 x .41	Self-Propelled Models
24	7090595	3	BOLT, 5/16-18 x 3/4" Hex Flange Lock GR 5	All
25	7091601	2	NUT, 5/16-18 Hex Flange Lock, GR 5	was 7090585 (All)
26	7091575	1	NUT, 5/16-18 Hex Center Lock	was 7091067 (S-P Models)
27	7074113	1	LEVER, Shift	Self-Propelled Models
28	7091606	1	NUT, 5/16-24 Hex Center Lock GR 5	was 7091074 (All)
29	7023813	1	CLIP, Wiring Harness	All
30	7091740	4	SCREW, 5/16-18 x 1-7/8" Curved Head GR 2	was 7091189 (All)
31	7035744	4	KNOB, 5/16-18 Wing (Black)	All
32	7079577	2	SCREW, 1/4-20 x 1-1/2 Hex Head Cap GR 5	All
33	7090053	3	WASHER, 1/4" Internal Tooth Lock	was (All)

Footnotes:

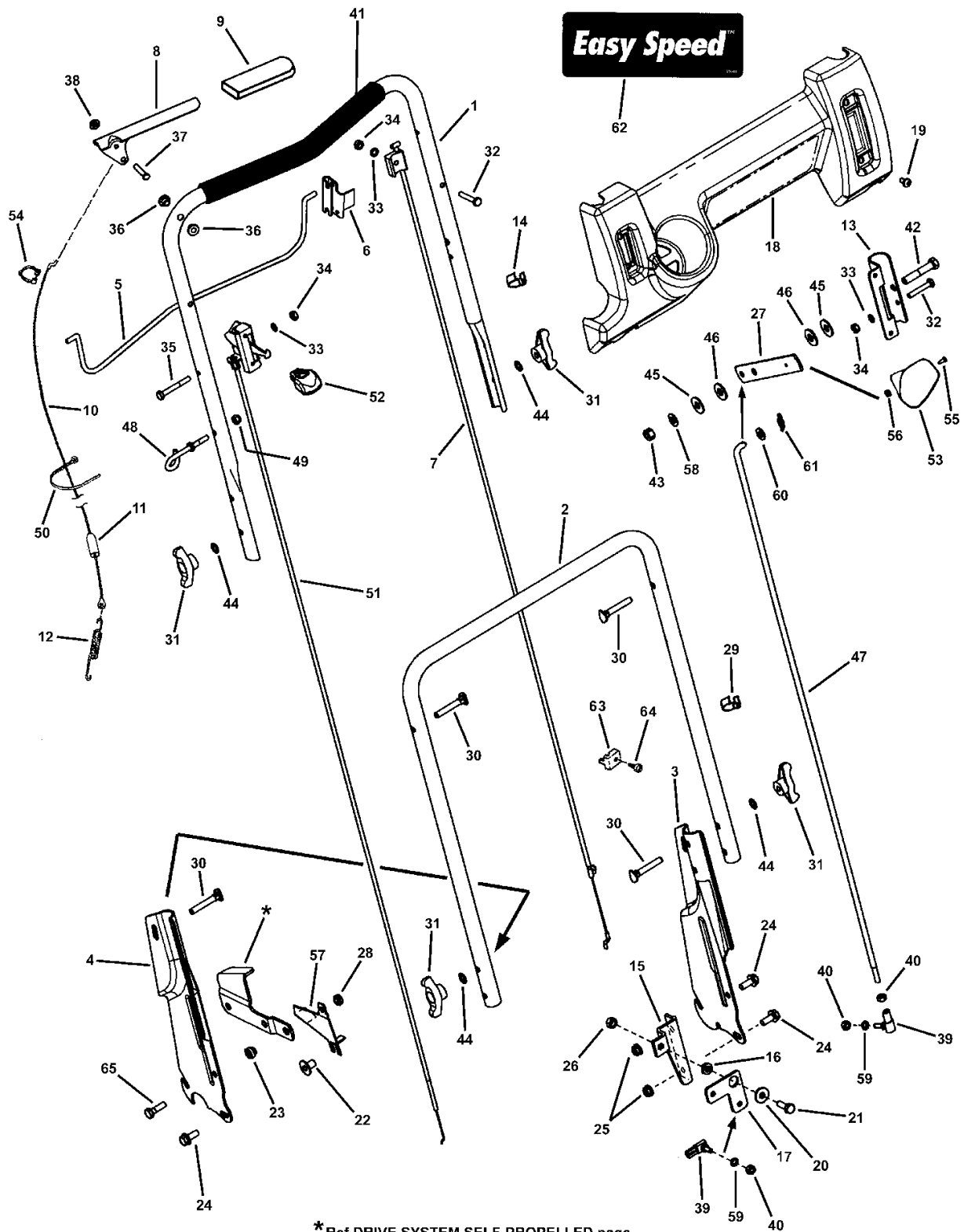
Note* used on 216518B, P216518B, P217018BV, RP217018BV, EP217018BV & ERP217018BV

Note** used on P217018BV, P216518B, P216018KWV, RP217018BV, RP216018KWV, EP217018BV & ERP217018BV

Note* See also Throttle Control Page

ref Decal Page

HANDLES & CONTROLS



* Ref DRIVE SYSTEM SELF-PROPELLED page, Item 2

HANDLES & CONTROLS

Item	Part No	Qty	Description	Note
34	7091576	3	NUT, 1/4-20 Hex	was 7091100 (All)
35	7090505	1	SCREW, 1/4-20 x 2" Hex Head Cap, GR 5	
36	7014343	2	BUSHING, .27 x .35 x .4 Flange	Self-Propelled Models
37	7023792	1	PIN, 1/4 x 1-1/2"	Self-Propelled Models
38	7091020	1	PUSH-NUT, 1/4"	Self-Propelled Models
39	7015753	2	BALL JOINT, 1/4-28	Self-Propelled Models
40	7090095	4	NUT, 1/4-28 Hex	Self-Propelled Models
41	7022458	1	FOAM GRIP, 15" long	All
42	7091305	1	SCREW, 3/8-16 x 2" Hex Head Cap, GR 5	Self-Propelled Models
42	7091553	1	SCREW, 3/8-16 x 1-3/4" Hex Head Cap, GR 5	Push Models
43	7091585	1	NUT, 3/8-16 Hex Center Lock	All
44	7090391	4	WASHER, 5/16" Internal Tooth Lock	All
45	7031961	8	WASHER, 7/16" Flat	Self-Propelled Models
46	7028465	2	WASHER, Nylon	Self-Propelled Models
47	7074133	1	ROD, Speed Control (1/4-28 thread)	Self-Propelled Models
48	7028488	1	GUIDE, Rope (1/4-20 thread)	All
49	7076978	1	NUT, 1/4-28 Hex GR 5 or B	All
50	7012080	2	CABLE-TIE, 7"	Self-Propelled Models
51	7074460	1	*THROTTLE CONTROL, .48 x .61	Briggs models
51	7074138	1	*THROTTLE CONTROL, 6.0 KWV	Kawasaki models
52	7075308	1	THROTTLE KNOB	All
53	7075182	1	KNOB, Shift	Self-Propelled Models
54	7026219	1	CLAMP, 7/8" Double Cable	Self-Propelled Models
55	7091167	1	SCREW, #8-32 x 1/2" Cross Recess Filister Head Machine	Self-Propelled Models
56	7091018	1	NUT, #8-32 Hex	Self-Propelled Models
57	7032408	1	BELT GUIDE, Lower	Self-Propelled Models
58	7028568	1	WASHER, Belleville	Self-Propelled Models
59	7090053	4	WASHER, 1/4" Internal Tooth Lock	Self-Propelled Models
60	7090188	1	WASHER, 3/8" Flat	Self-Propelled Models
61	7034162	1	COTTER PIN, 5/16 Self Lock	Self-Propelled Models
62	7029365	1	DECAL, Easy Walk	All
63	7023153	1	CLAMP, Casing	models with Briggs Engine
64	7023154	1	SCREW, #10-32 x 5/8" Self-Tap	models with Briggs Engine
65	7090238	1	SCREW, 5/16-24 x 1" Hex Head Cap GR 5	All

Footnotes:

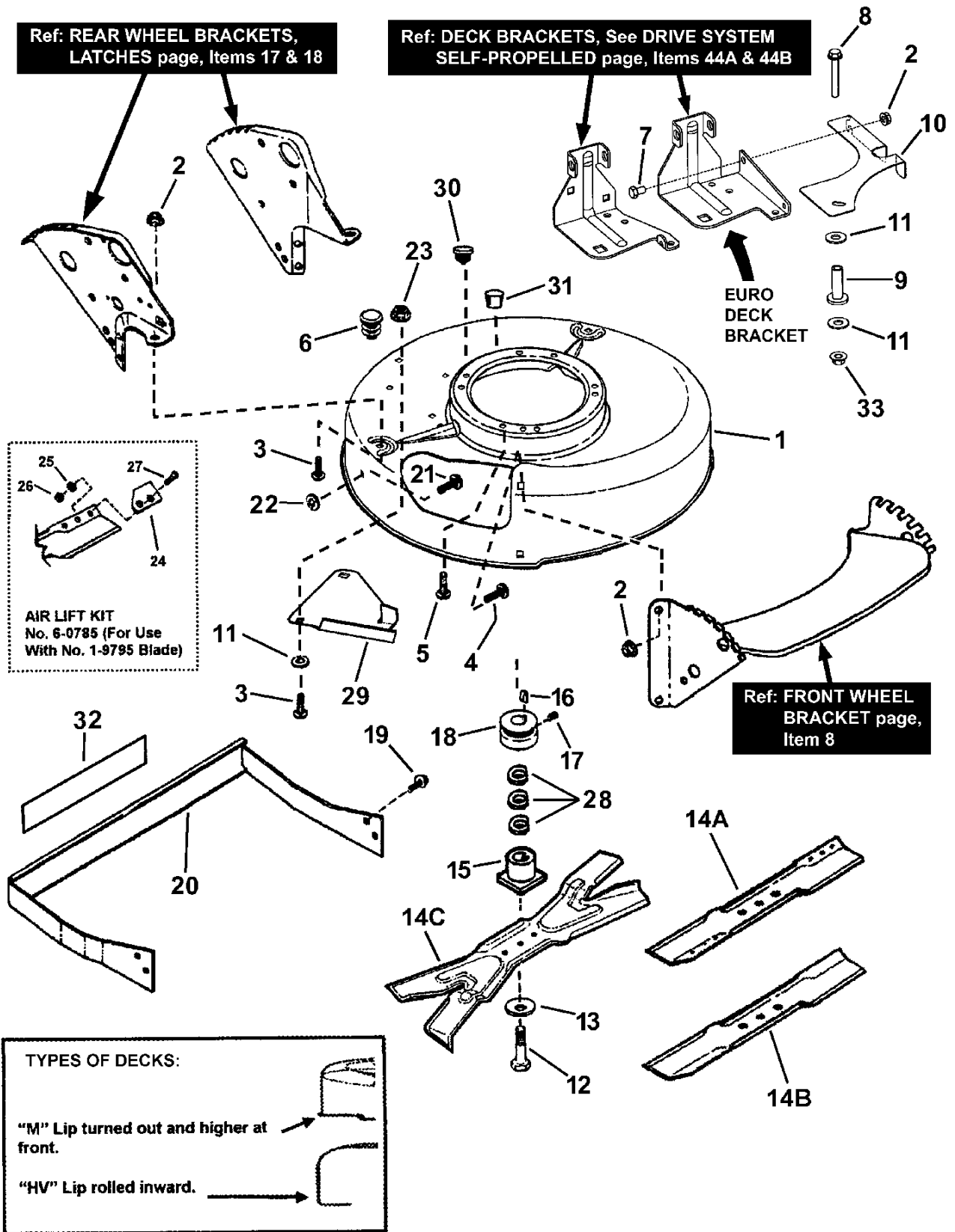
Note* used on 216518B, P216518B, P217018BV, RP217018BV, EP217018BV & ERP217018BV

Note** used on P217018BV, P216518B, P216018KWV, RP217018BV, RP216018KWV, EP217018BV & ERP217018BV

Note* See also Throttle Control Page

ref Decal Page

CUTTING DECK, BLADES



CUTTING DECK, BLADES

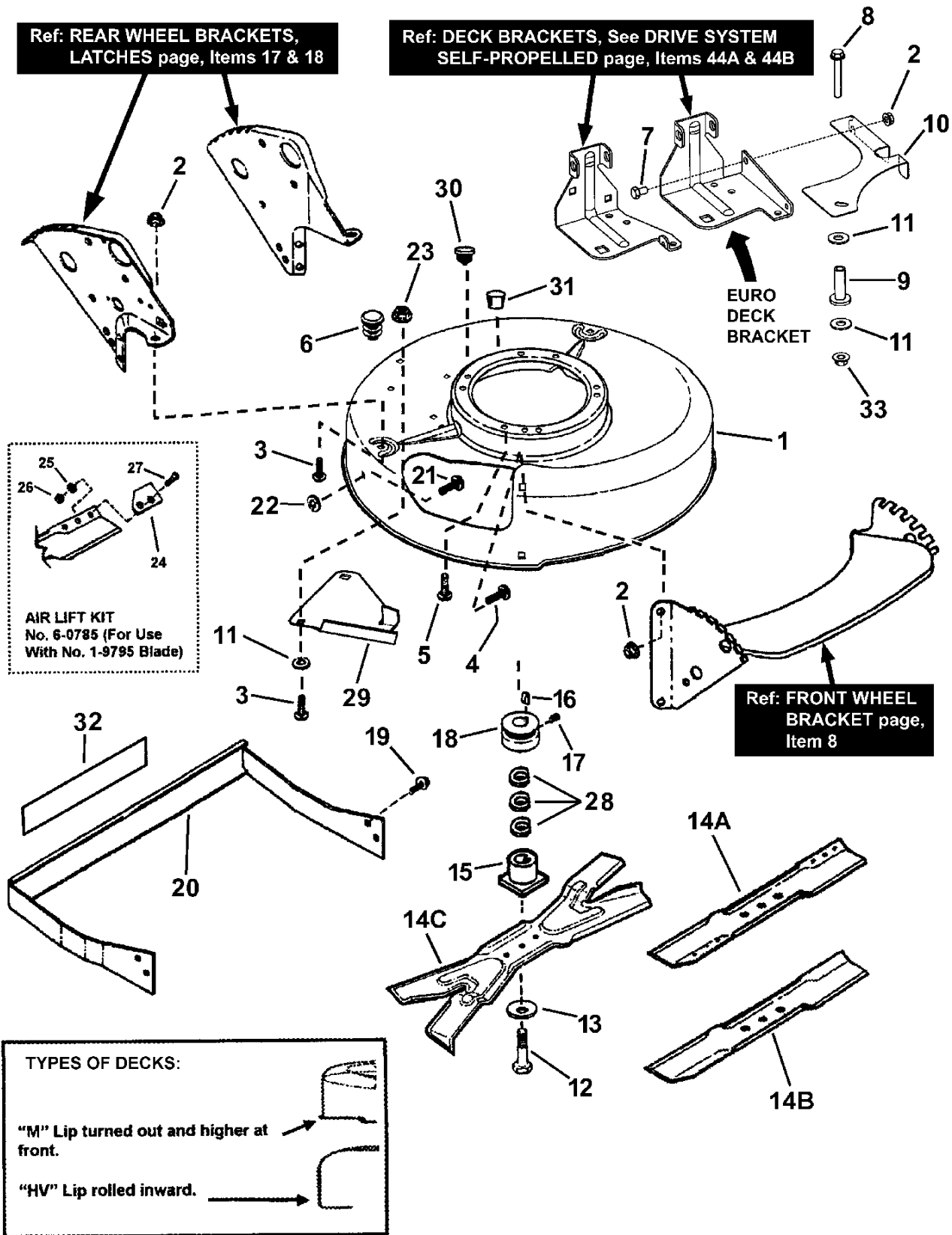
Item	Part No	Qty	Description	Note
1	7057663	1	DECK, Mower (incl. painted "HV" Deck with Decals)	<i>Non-Recycler models</i>
1	7072716	1	DECK, Mower, 21" Hi-Vac (HV)	<i>216518B</i>
1	7074949	1	DECK, Mower (Includes painted "Euro M" Deck with No Decals)	<i>RP217018BVE</i>
1	7057884	1	* DECK, Mower, 21" Non-Adj Air (was 7041857 or 7057784)	<i>Recycler models</i>
2	7091601	10	NUT, 5/16-18 Hex Flange Lock, GR 5	<i>was 7090585</i>
3	7090731	3	BOLT, 5/16-18 x 1/2", Short Neck Carriage, GR 5	
4	7091169	1	BOLT, 5/16-18 x 1-1/8" Short Neck Carriage, GR 5	
5	7090324	3	SCREW, 3/8-16 x 1" Self-Tapping	<i>engine mount bolts</i>
6	7046780	2	PLUG, Hole, Polyethylene	
7	7090534	1	SCREW, 5/16-18 x 1/2" Hex Head Cap, GR 5	
8	7090702	1	BOLT, 5/16-18 x 2-1/4", Hex Flange Lock	
9	7013320	1	BUSHING, .388 x .625 x 1.62	
10	7033863	1	COVER, Belt	<i>European models</i>
11	7031961	3	WASHER, 7/16" Flat	
12	7090167	1	SCREW, 3/8-24 x 2" Hex Head Cap, GR 5	
13	7012063	2	WASHER, Cone	
14A	7019795	1	BLADE, Cutter, 21" Air Lift (European)	<i>EP217018BV</i>
14B	7026691	1	BLADE, Cutter (Standard Lift)	<i>Domestic Push & S.P.models</i>
14C	7026407	1	BLADE, 21" Ninja (Quad Edge)	<i>Recycler models</i>
15	7015626	1	HUB, Blade Drive 25mm I.D.	
16	7091214	1	KEY, Woodruff #HP-506 Hi-Pro	
17	7090201	1	SET SCREW, 5/16-18 x 5/16" Hex Socket	
18	7015780	1	PULLEY, Engine (25mm I. D. x 2-1/8" O.D.)	
19	7091122	6	SCREW, 1/4-20 x 1/2" Hex Flange Self-Tap (was 90539)	<i>EP217018BV & ERP217018BV</i>
20	7041400	1	WELDMENT, Fender	<i>European models</i>
21	7091508	2	BOLT, 5/16-18 x 3/4" Short Neck Carriage GR 5	<i>was 7090001</i>
22	7011791	1	RETAINER, 5/16" Bolt	
23	7091601	3	NUT, 5/16-18 Hex Flange Lock, GR 5	<i>was 7091070</i>
--	7060785	--	KIT, Air Lift (Incl. items 24 thru 27)	
24	7032558	2	AIR LIFT	
25	7090391	4	WASHER, 5/16" Internal Tooth Lock	
26	7091297	4	NUT, 5/16-24 Hex, GR 5	<i>was 7090223</i>
27	7090228	4	SCREW, 5/16-24 x 21/32" Machine	
28	7044770	3	SPACER, .06 Thick	<i>for blade hub</i>
29	7074568	1	COVER, Belt	
30	7046471	3	PLUG, 5/16" Square Hole	<i>Push Models</i>
31	7045264	2	PLUG, 5/16" Round Hole	<i>qty. 3 on Push Models</i>

Footnotes:

Note* Same deck as 7074949 except w/o battery bracket holes.

Note* Purchase engine parts from engine manufacturer dealer.

CUTTING DECK, BLADES



CUTTING DECK, BLADES

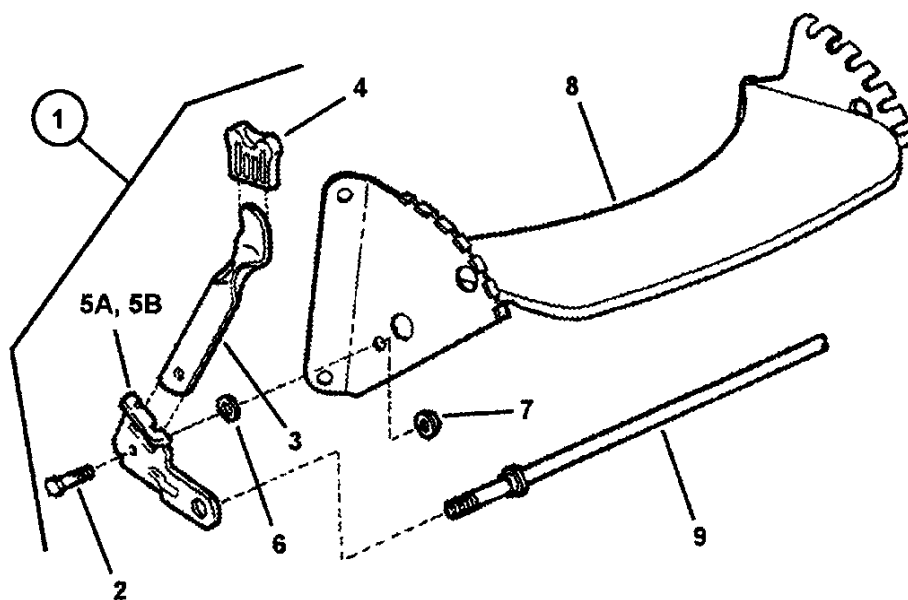
Item	Part No	Qty	Description	Note
32	7073462	1	DECAL, Caution, International Symbols	<i>European models</i>
33	7090951	1	NUT, 5/16-18 Hex Large Flange Center Lock	
--	--	1	*ENGINE, 6.0 Kawasaki, Model FJ180V-AS13-R	<i>P216018KVV & RP216018KVV</i>
--	--	1	*ENGINE, 6.5 Briggs Intek, Model 123K02-0124E1	<i>216518B & P216518B</i>
--	--	1	*ENGINE, 7.0 Briggs Intek E/S, Model 128607-0113E1	<i>P217018BVE & RP217018BVE</i>
--	--	1	*ENGINE, 7.0 Briggs Intek, Model 128602-0112E1	<i>EP217018BV & ERP217018BV</i>
--	--	1	*ENGINE, 7.0 Briggs Intek, Model 128602-0149E1	<i>P217018BV & RP217018BV</i>

Footnotes:

Note* Same deck as 7074949 except w/o battery bracket holes.

Note* Purchase engine parts from engine manufacturer dealer.

FRONT WHEEL BRACKET

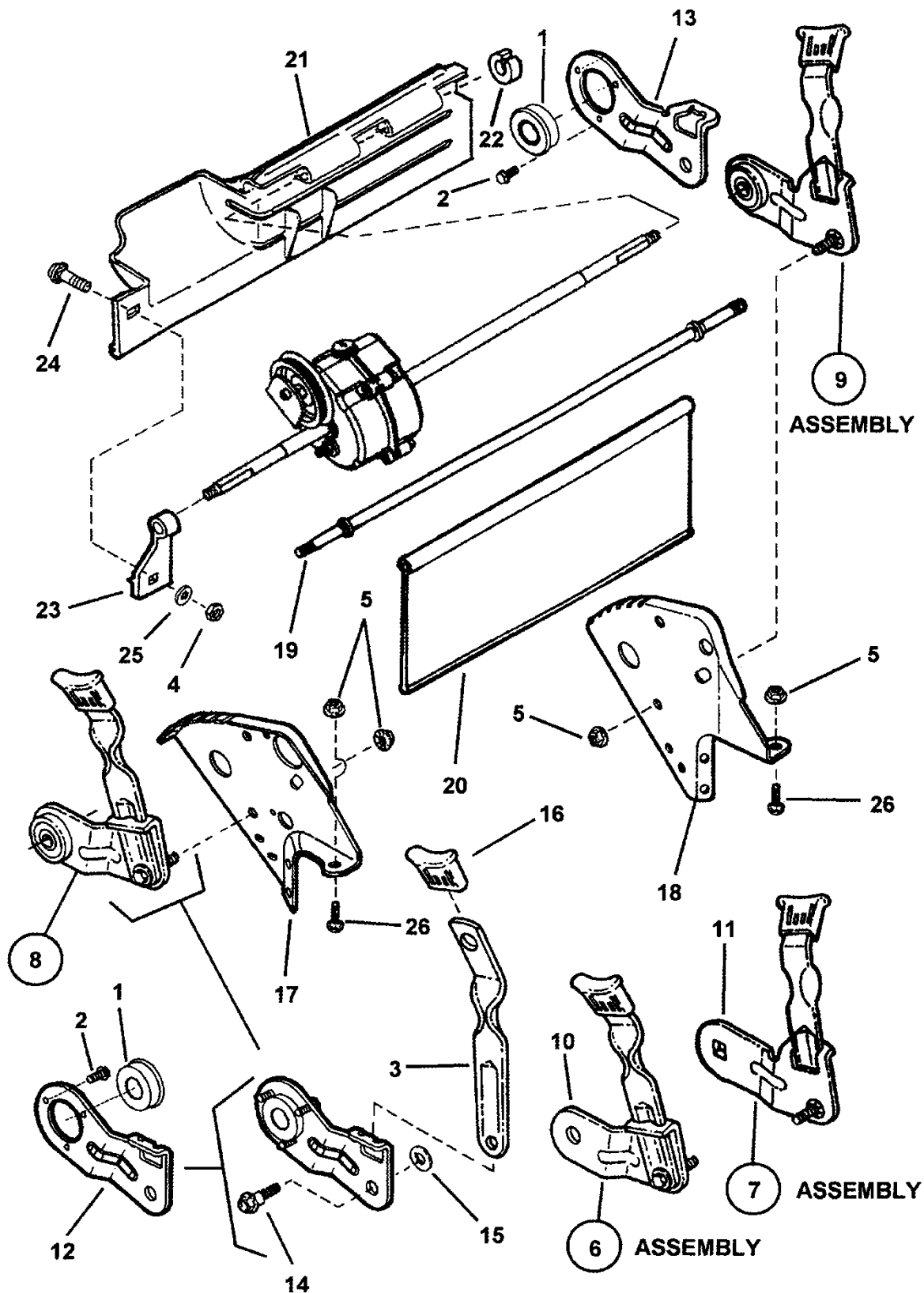


FRONT WHEEL BRACKET

Item	Part No	Qty	Description	Note
1	7051885	1	ASSEMBLY, Left Wheel Arm	<i>(Incl. items 2, 3, 4, 5B & 6)</i>
--	7051886	1	ASSEMBLY, Right Wheel Arm	<i>(Incl. items 2, 3, 4, 5A & 6)</i>
2	7015761	1	BOLT, 5/16-18 Hex washer Face Shoulder	<i>per wheel arm assembly</i>
3	7012325	1	LATCH, Height	<i>per wheel arm assembly</i>
4	7027702	1	GRIP, Height Latch	<i>per wheel arm assembly</i>
5A	7031017	1	WHEEL ARM, R.H. Front (Round Hole)	
5B	7031016	1	WHEEL ARM, L.H. Front (Square Hole)	<i>not shown</i>
6	7011791	1	RETAINER, 5/16" Bolt	
7	7091601	2	NUT, 5/16-18 Hex Flange Lock, GR 5	<i>was 7091070</i>
8	7074702	1	WELDMENT, Front Wheel Bracket	<i>was 7041770 or 7074702 (all)</i>
9	7021119	1	AXLE, 21"	

Footnotes:

REAR WHEEL BRACKETS, LATCHES



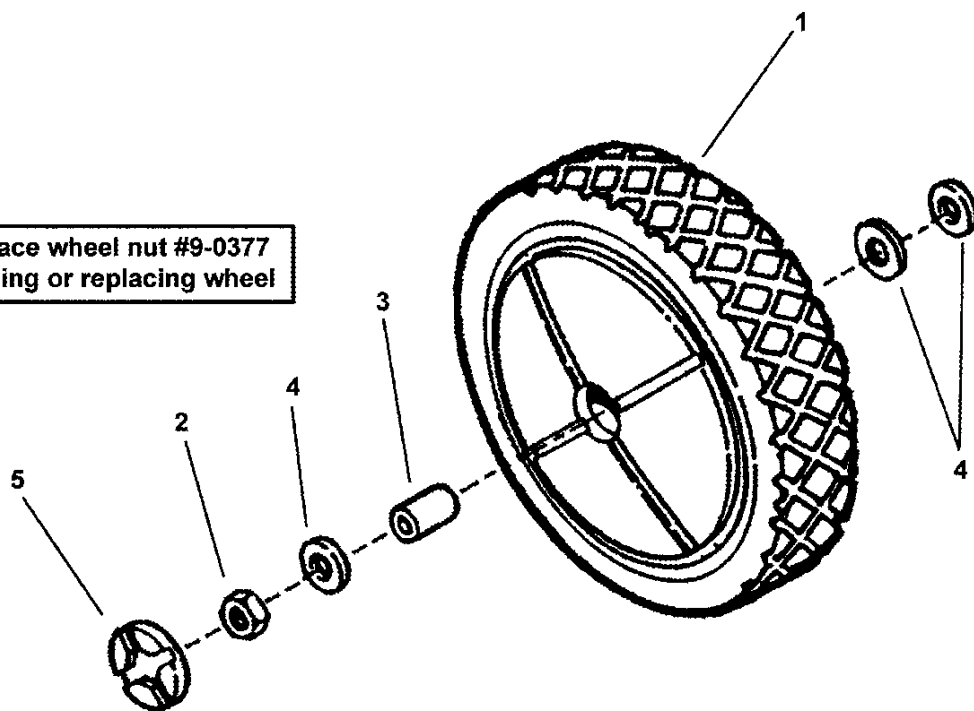
REAR WHEEL BRACKETS, LATCHES

Item	Part No	Qty	Description	Note
1	7012312	1	BEARING, 9/16" I.D.	<i>per Rear Wheel Arm</i>
2	7091012	3	SCREW, #10-32 x 3/8" Hex washer Self-Tap	<i>per Rear Wheel Arm</i>
3	7035717	1	LATCH, Height Adjusting (long)	<i>per Rear Wheel Arm</i>
4	7091576	1	NUT, 1/4-20 Hex	<i>was 7090063 or 7091100</i>
5	7091601	6	NUT, 5/16-18 Hex Flange Lock, GR 5	<i>was 7091070</i>
6	7054228	1	ASSY, Wheel Arm, Right Rear (Round hole) (Push)	<i>(Incl. items 3, 10, 14, 15 & 16)</i>
7	7054229	1	ASSY, Wheel Arm, Left Rear (Square hole) (Push)	<i>(Incl. items 3, 11, 14, 15 & 16)</i>
8	7054230	1	ASSY, Wheel Arm, Right Rear (S.P.)	<i>Incl. 1,2,3,12,14,15 & 16</i>
9	7054247	1	ASSY, Wheel Arm, Left Rear (S.P.)	<i>Incl. 1,2,3,13,14,15 & 16</i>
10	7033776	1	WHEEL ARM, R.H. Rear (round opening)	<i>used on Push models</i>
11	7033775	1	WHEEL ARM, L.H. Rear (square opening)	<i>used on Push models</i>
12	7032722	1	ARM, Wheel, Right Rear	<i>used on Self-Propelled models</i>
13	7032723	1	ARM, Wheel, Left Rear	<i>used on Self-Propelled models</i>
14	7011078	1	BOLT, 5/16-18 x 1" Shoulder	<i>per wheel arm assembly</i>
15	7011791	2	RETAINER, 5/16" Bolt	<i>per wheel arm assembly</i>
16	7027702	1	GRIP, Height Latch	<i>per wheel arm assembly</i>
17	7033494	1	BRACKET, Right Rear Wheel	<i>all</i>
18	7033495	1	BRACKET, Left Rear Wheel	<i>all</i>
19	7021119	1	AXLE, 21"	<i>qty. 2 on push ; 1 on s-p</i>
20	7035741	1	FOOT GUARD, Long, Rear	<i>Push Models only</i>
21	7029008	1	FOOT GUARD, Rear	<i>Domestic Self Propelled</i>
21	7042918	1	FOOT GUARD, Rear	<i>Euro Self-Propelled</i>
22	7023791	1	RING, Split (Black)	<i>used on Self-Propelled models</i>
23	7012616	1	SUPPORT, Foot Guard	<i>used on Self-Propelled models</i>
24	7091604	1	BOLT, 1/4-20 x 1/2" Short Neck Carriage GR 5	<i>was 7090005 (Self-Propelled)</i>
25	7090053	1	WASHER, 1/4" Internal Tooth Lock	<i>was 7091023</i>
26	7090731	2	BOLT, 5/16-18 x 1/2", Short Neck Carriage, GR 5	

Footnotes:

FRONT WHEELS

*Always replace wheel nut #9-0377 when removing or replacing wheel

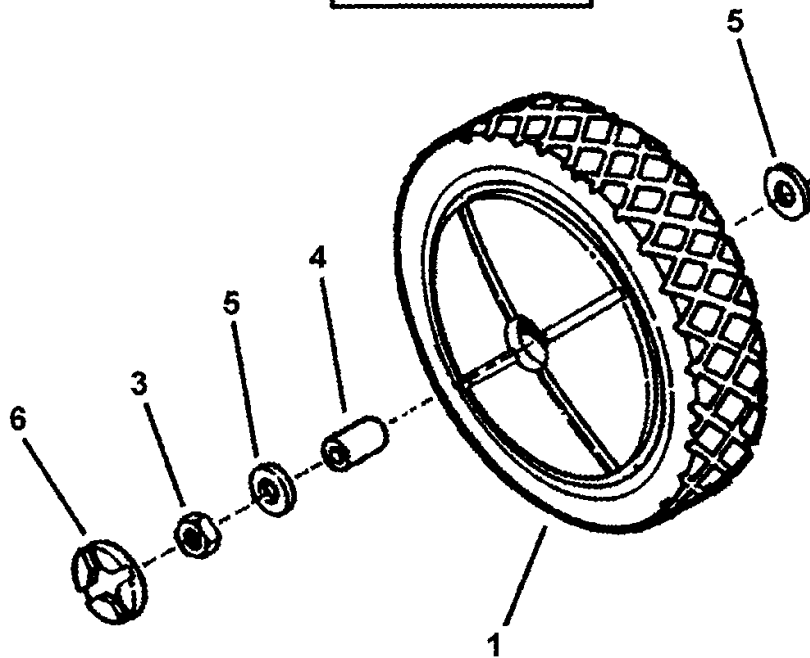


FRONT WHEELS

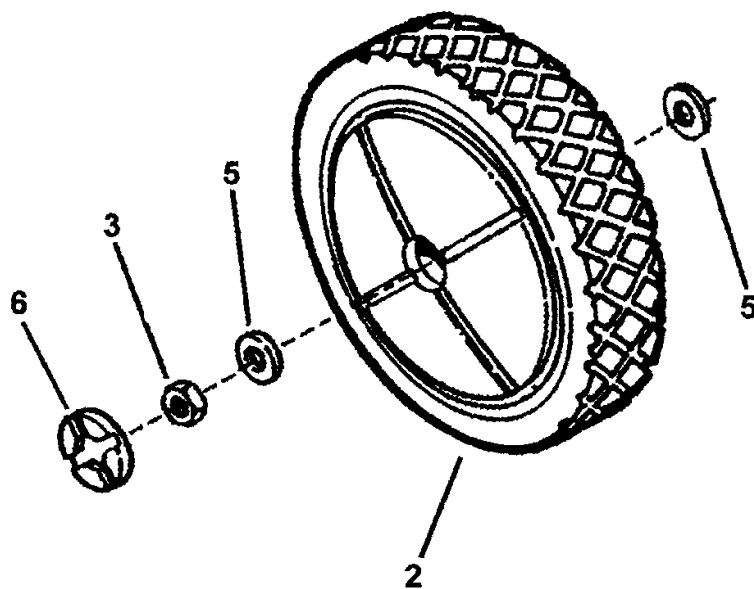
Item	Part No	Qty	Description	Note
1	7029010	2	WHEEL, 8 x 1.75 Plastic	<i>all</i>
2	7090377	2	NUT, 7/16-20 Hex Center Lock Jam	
3	7012309	2	BUSHING, Axle	
4	7031961	2	WASHER, 7/16" Flat	
5	7017829	2	PLUG, Wheel	<i>all</i>

Footnotes:

PUSH MODELS



SELF-PROPELLED MODELS



REAR WHEELS

Item	Part No	Qty	Description	Note
1	7074924	2	WHEEL, 10 x 1.75" Plastic	<i>Push Models only</i>
2	7029011	2	WHEEL, 10 x 1.75" Plastic	<i>used on Self-Propelled models</i>
3	7090377	2	NUT, 7/16-20 Hex Center Lock Jam	<i>all</i>
4	7012309	2	BUSHING, Axle	<i>Push Models only</i>
5	7031961	2	WASHER, 7/16" Flat	
6	7017829	2	PLUG, Wheel	<i>all</i>

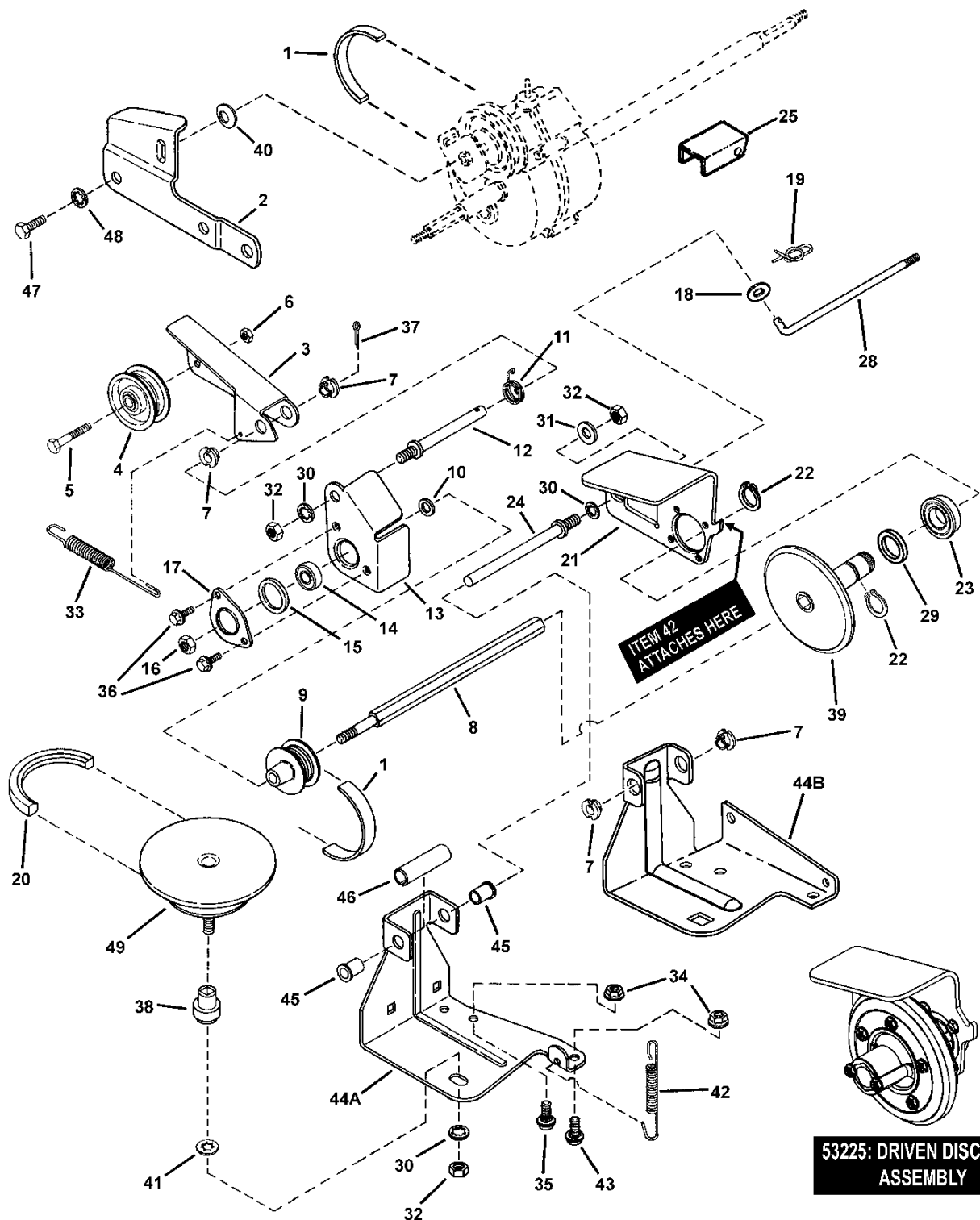
Footnotes:

DRIVE SYSTEM SELF-PROPELLED

Item	Part No	Qty	Description	Note
1	7012354	1	BELT, Poly-V	
2	7034179	1	LINK, Differential	
--	7051921	--	ASSEMBLY, Clutch Idler (Includes items 3 thru 7)	
3	7032832	1	ARM, Clutch Idler	
4	7012124	1	PULLEY, Idler	
5	7091025	1	SCREW, 1/4-28 x 1-3/8" Hex Head Cap, GR 5	
6	7090303	1	NUT, 1/4-28 Hex Top Lock	
7	7012117	4	BUSHING, 3/8" I.D. Nylon	
8	7072284	1	SHAFT, Hex Drive	
9	7024521	1	PULLEY, Poly-V (2" O.D.)	<i>for non-Commercial models</i>
10	7090188	1	WASHER, 3/8" Flat	
11	7012126	1	SPRING, Idler- Torsion	
12	7012111	1	STUD, Idler (3/8-24 thread)	
13	7031873	1	HOLDER, Bearing (Inner Half)	
14	7028014	1	BALL BEARING, Spherical O.D., .38 I.D.	
15	7011025	1	O-RING	
16	7090289	1	NUT, 3/8-24 Hex Center Lock, GR 5	
17	7031809	1	HOLDER, Bearing (Outer Half)	
18	7091294	1	WASHER, .28 x .63 x .06 Flat	
19	7090673	1	COTTER PIN, .06 x .50	<i>was 7091629</i>
20	7046784	1	BELT, Engine Drive (Stretch)	
21	7034281	1	THRUST PLATE, Short	
22	7010746	2	RETAINING RING, .625 External	
23	7026693	1	BALL BEARING- 3/4" Bore	
24	7012125	1	GUIDE, Thrust Plate (3/8-24 thread)	
25	7032664	1	SHIELD, Hex Shaft	<i>European models only</i>
26	7015753	1	BALL JOINT, 1/4-28 (not shown)	<i>see Handles & Controls page (39)</i>
27	7090095	2	NUT, 1/4-28 Hex (not shown)	<i>see Handles & Controls page (40)</i>
28	7074145	1	LINK, Transfer (1/4-28 thread)	
29	7010121	1	WASHER, 3/4" Shim	
30	7090390	3	WASHER, 3/8" Internal Tooth Lock	
31	7090122	1	WASHER, 3/8" Flat	
32	7091630	2	NUT, 3/8-24 Hex	
33	7012122	1	SPRING, Clutch- 21S	
34	7091601	2	NUT, 5/16-18 Hex Flange Lock, GR 5	<i>was 7091070</i>
35	7090731	1	BOLT, 5/16-18 x 1/2", Short Neck Carriage, GR 5	
36	7091122	2	SCREW, 1/4-20 x 1/2" Hex Flange Self-Tap	<i>was 7090539</i>

Footnotes:

Note* Includes Steel Drive Disc Assy (7073528), Bushing (7013893), 3/8-16 Hex Nut (7091302) & item 38.



53225: DRIVEN DISC ASSEMBLY

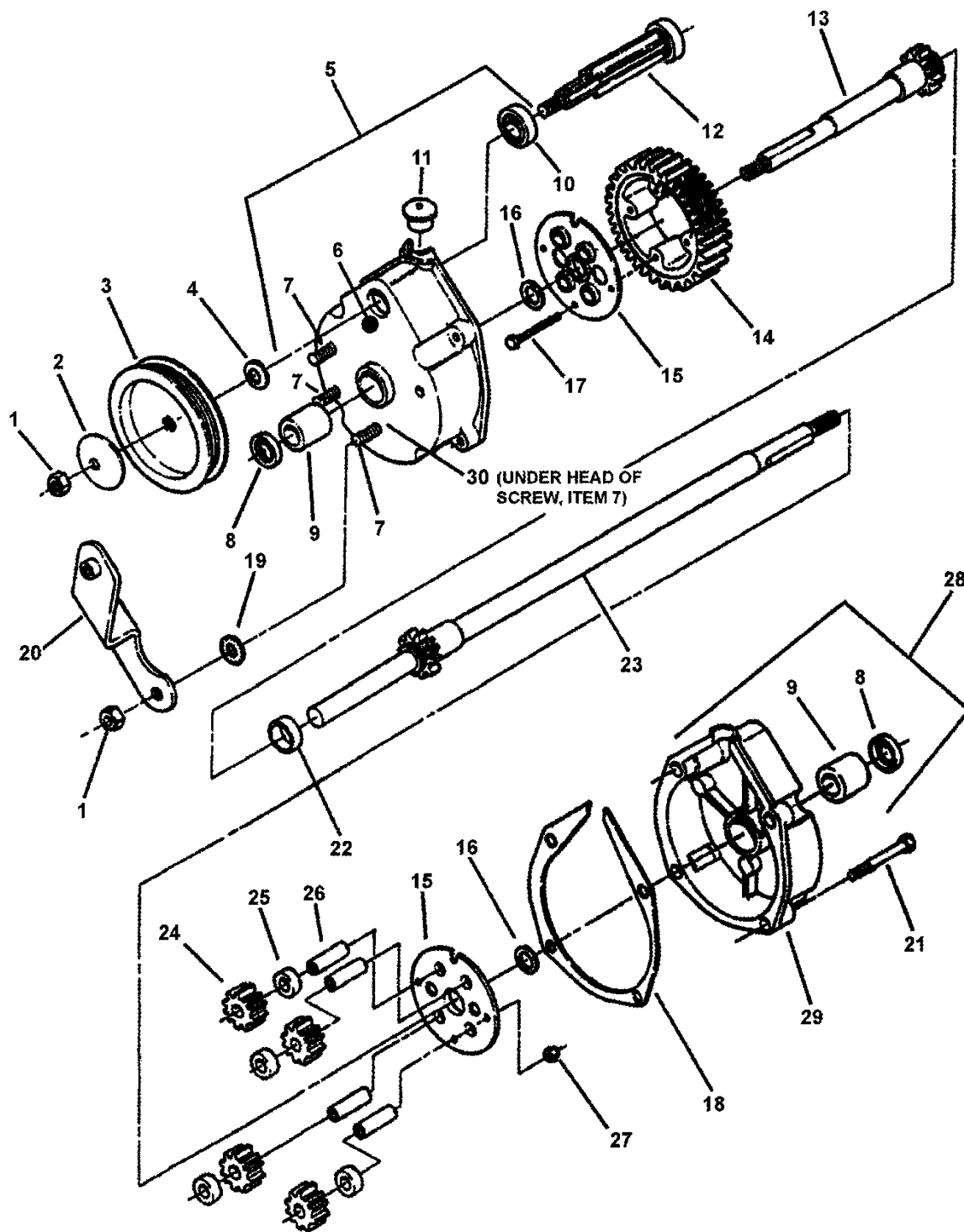
DRIVE SYSTEM SELF-PROPELLED

Item	Part No	Qty	Description	Note
37	7091597	1	COTTER PIN, 3/32 x 1/2"	<i>was 7090555</i>
38	7017696	1	BUSHING, Powdered Metal	
39	7041855	1	DISC, Driven (Cantilever)	
40	7011724	1	WASHER, 44 x .78 x .025 Curved	
41	7013847	1	RETAINER, 3/8" Bolt	
42	7029025	1	SPRING, Wheel Drive	
43	7090799	1	BOLT, 5/16-18 x 5/8" Short Neck Carriage GR 5	<i>was 7091026</i>
--	7059462	1	ASSEMBLY, Deck Bracket (Incl. items 7 & 44A)	<i>RP216018KWV & RP217018BV</i>
--	7052987	1	ASSEMBLY, Deck Bracket (Incl. items 44B, 45 & 46)	<i>all S. P. models except for 2 shown above</i>
44A	7031919	1	BRACKET, Deck, V21	
44B	7033774	1	BRACKET, Deck, P21S	
45	7012306	2	BUSHING, Flange, .381 x .625 x .62	
46	7021758	1	SPACER, .500 x .65 x 1.75	
47	7090534	1	SCREW, 5/16-18 x 1/2" Hex Head Cap, GR 5	
48	7090391	1	WASHER, 5/16" Internal Tooth Lock	
49	7061275	--	*KIT, Drive Disc Assembly	

Footnotes:

Note* Includes Steel Drive Disc Assy (7073528), Bushing (7013893), 3/8-16 Hex Nut (7091302) & item 38.

TRANSMISSION (DIFFERENTIAL)



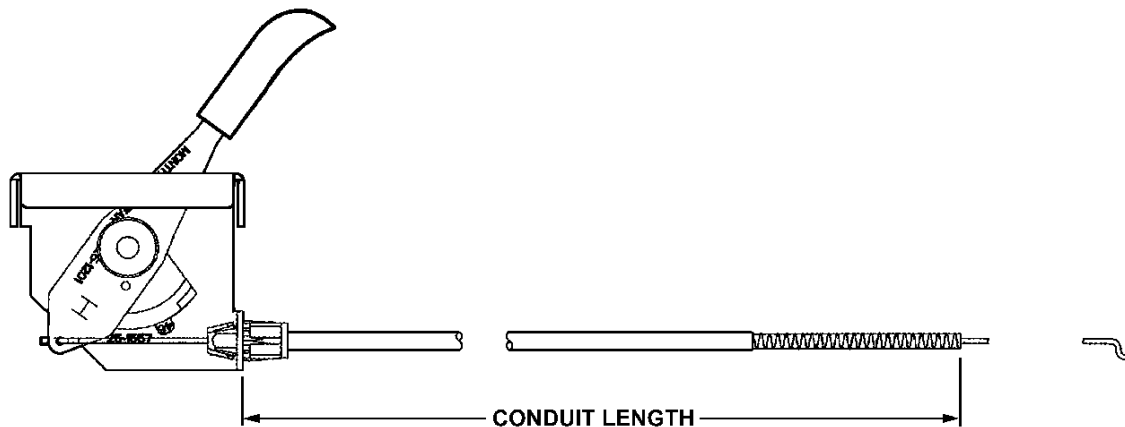
TRANSMISSION (DIFFERENTIAL)

Item	Part No	Qty	Description	Note
--	7059070	1	ASSEMBLY, Transmission (Incl. items 1 thru 30)	<i>Self-Propelled Models</i>
1	7092062	4	NUT, 5/16-18 Hex Lock	<i>was 7011201</i>
2	7092063	1	WASHER, Cone	
3	7019213	1	PULLEY, Poly-V Belt (3.5 O.D.)	
4	7011724	2	WASHER, 44 x .78 x .025 Curved	
5	7053941	1	ASSEMBLY, Right Housing (Incl. items 6, 7, 8, 9, 10 & 30)	
6	7029034	1	HOUSING, Right Side	
7	7014155	3	SCREW, 5/16-24 x 1-1/8" Rib Neck, GR 5	
8	7012314	1	SEAL, 5/8" Internal Diameter	
9	7029035	1	BEARING, Tapered- (Differential Housing)	
10	7073963	1	BALL BEARING, 7/16 I.D., 1/1/8" O.D.	<i>was 7011767</i>
11	7016544	1	PLUG, Transmission Housing	
12	7050767	1	GEAR, Input	
13	7051932	1	AXLE, Short	
14	7012495	1	GEAR, Differential (46 Tooth)	
15	7031970	2	PLATE, 46T Gear	
16	7031965	2	WASHER, Thrust, 3/4" I.D.	
17	7090557	4	SCREW, #10-32 x 1-1/2" Hex Head Cap GR 5	
18	7011774	1	GASKET, Housing	
19	7090189	3	WASHER, 5/16" Internal/External Tooth Lock	
20	7051903	1	BRACKET, Differential	
21	7091825	4	SCREW, 1/4-20 x 1" Hex washer Self-Tap	<i>was 7092064</i>
22	7012543	1	SPACER, Axle Gear	
23	7051933	1	ASSEMBLY, Long Axle	
24	7021115	4	GEAR, Pinion (12 tooth)	
25	7012500	4	SPACER, Pinion Gear	
26	7011110	4	SHAFT, Pinion	
27	7090376	4	NUT, #10-32 Hex Nyloc	
28	7053938	1	ASSY, Left Housing (Phantom)	
29	7029033	1	HOUSING, Left	
30	7024442	3	GASKET, 5/8" O. D.	
--	7061017	32oz.	"00" Grease	<i>not shown</i>

Footnotes:

NOTE: Transmission Assemblies 7053928 & 7053971 (Euro) are available & include Foot Guards.

NOTE: Maximum capacity of transmission case is 4 oz. DO NOT OVERFILL!



ENGINE SPECIFICATIONS

ENGINE H.P.	START TYPE	MANUFACTURER	MODEL	TYPE	USED ON:
6.0	ROPE	KAWASAKI	FJ180V	AS13-R	P216018KWV & RP216018KWV
6.5	ROPE	BRIGGS	123K02	0124-E1	216518B & P216518B
7.0	ELECTRIC	BRIGGS	128607	0113-E1	P217018BVE & RP217018BVE
7.0	ROPE	BRIGGS	128602	0112-E1	EP217018BV & ERP217018BV
7.0	ROPE	BRIGGS	128602	0149-E1	P217018BV & RP217018BV

THROTTLE CONTROLS/ENGINE SPECS

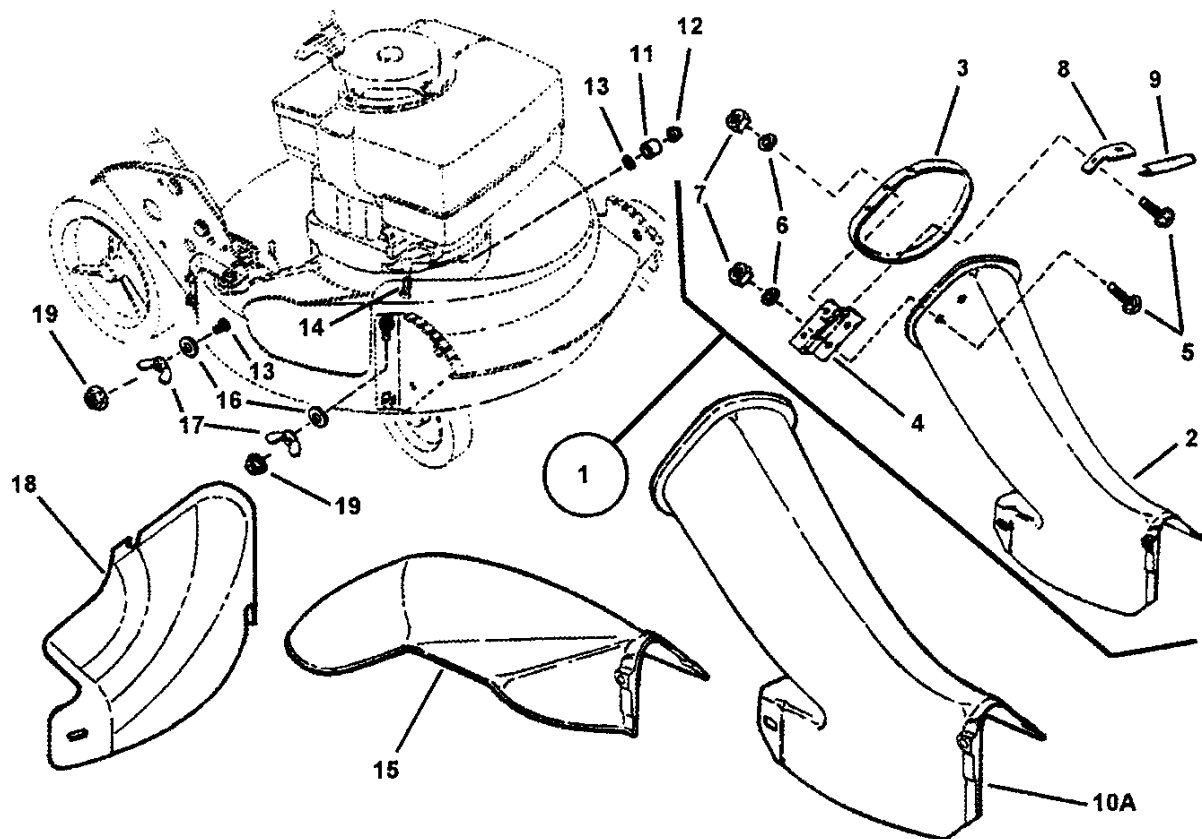
Item	Part No	Qty	Description	Note
--	7074460	1	THROTTLE CONTROL, .48 x .61	<i>Briggs models</i>
--	7074138	1	THROTTLE CONTROL, 6.0 KWV	<i>Kawasaki models</i>

Footnotes:

conduit length: 48-1/2"

conduit length: 53-1/4"

SIDE CHUTE ADAPTER



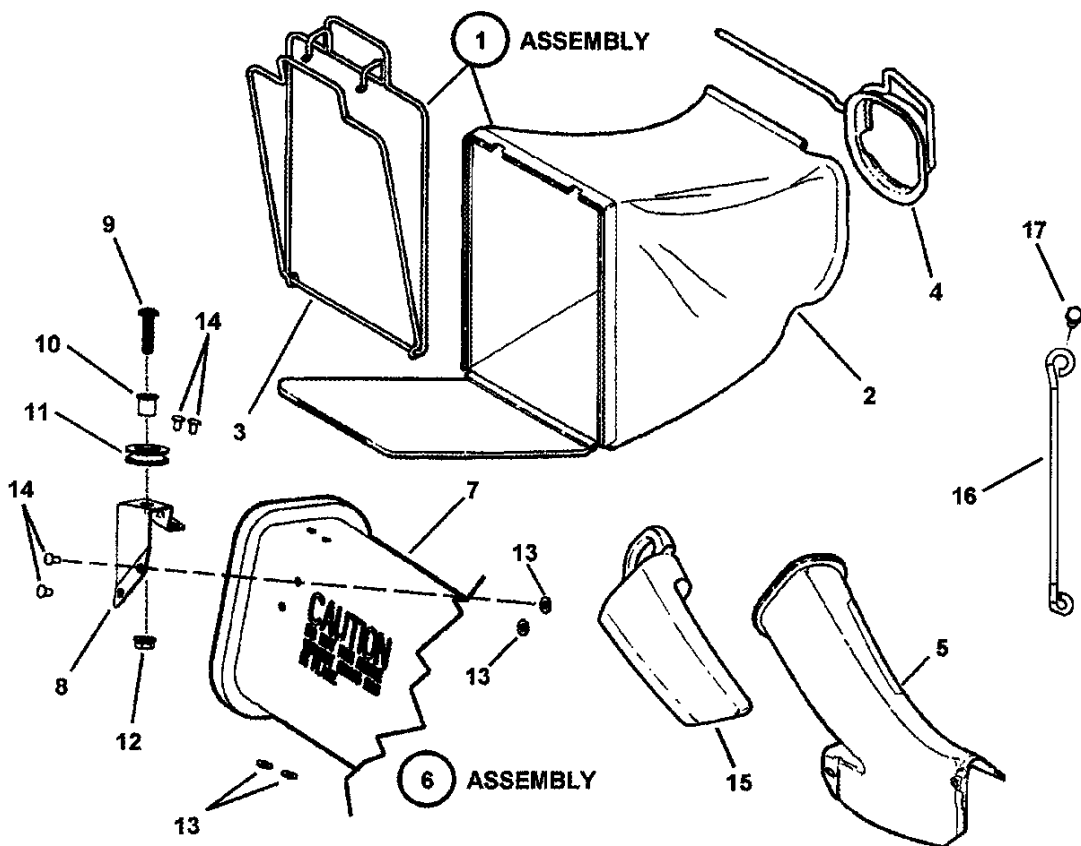
SIDE CHUTE ADAPTER

Item	Part No	Qty	Description	Note
1	7051951	1	ASSY, Bag Adapter & Cover (Euro only)	<i>(Incl items 2 thru 9)</i>
2	7016107	1	ADAPTER, Grass Bag	
3	7019287	1	COVER, Bag Adapter	
4	7023000	1	HINGE, Chute Cover	
5	7091064	5	BOLT, 1/4-20 x 1/2" Short Neck Carriage, GR 5	
6	7090053	5	WASHER, 1/4" Internal Tooth Lock	<i>was 7091023</i>
7	7091576	5	NUT, 1/4-20 Hex	<i>was 7091100</i>
8	7032661	1	STOP, Cover	
9	7023042	1	MOULDING, Trim	
10A	7016050	1	ADAPTER, Grass Bag	
10B	7058037	1	ASSY, Grass Bag Adapter	<i>see Grass Bag Accessory page</i>
11	7024340	1	SPACER, .316 I.D. x .375 O.D. x .310 thick	
12	7090951	1	NUT, 5/16-18 Hex Large Flange Center Lock	
13	7011791	1	RETAINER, 5/16" Bolt	
14	7091508	2	BOLT, 5/16-18 x 3/4" Short Neck Carriage GR 5	<i>was 7090001</i>
15	7042965	1	CHUTE, 21" Side	<i>P216018KVV</i>
16	7090122	2	WASHER, 5/16" Flat	<i>was 7091514</i>
17	7024085	2	WING-NUT, 5/16-18 Nyloc	
18	7029149	1	COVER, 21" Deck	<i>Recycler models</i>
19	7090951	2	NUT, 5/16-18 Hex Large Flange Center Lock	

Footnotes:

Note: For Grass Catcher components see Grass Bag Accessory page.

ACCESSORY GRASS BAG



ACCESSORY GRASS BAG

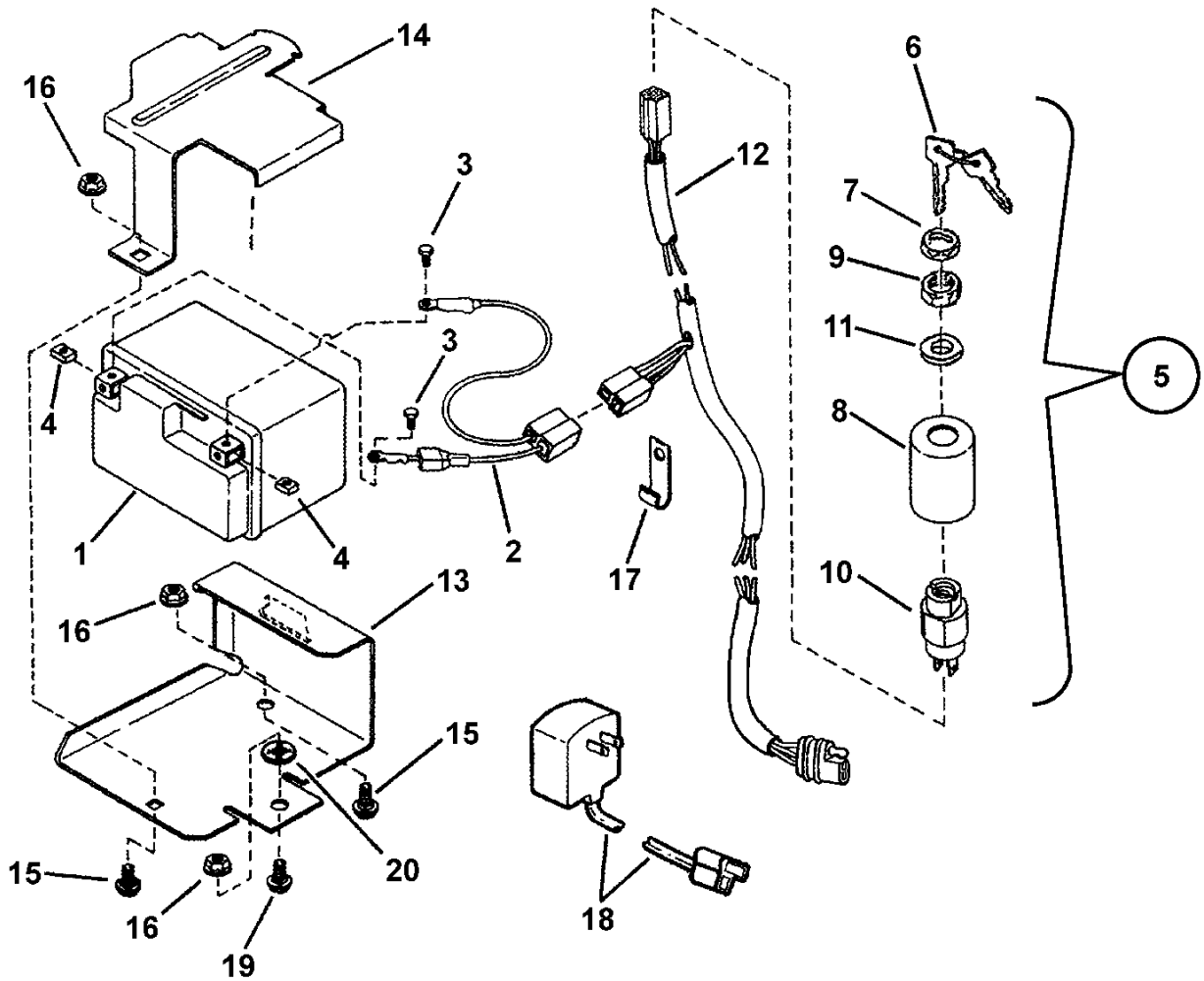
Item	Part No	Qty	Description	Note
--	7061919	--	KIT, Grass Bag Catcher	<i>was 7061824 (Incl. items 2 thru 5)</i>
1	7059322	--	ASSEMBLY, Grass Bag	<i>was 7054058 (Incl. items 2 thru 4)</i>
2	7075765	1	GRASS BAG (Door w/Gray Letters)	<i>all</i>
3	7051906	1	ASSEMBLY, Bag Wire (12" Wide)	<i>all</i>
4	7042489	1	CONNECTOR, Grass Bag (weldment)	<i>all</i>
5	7016050	1	ADAPTER, Grass Bag	<i>used on Euro S. P.</i>
6	7058037	1	ASSEMBLY, Grass Bag Adapter	<i>Includes items 7 thru 14</i>
7	7047081	1	ADAPTER, Grass Bag	<i>used on Domestic S. P.</i>
8	7047082	1	BRACKET, Rope Guide	
9	7091984	1	SCREW, 5/16-18 x 1-1/4" Pan Head Machine	
10	7012306	1	BUSHING, Flange, .381 x .625 x .62	
11	7024228	1	PULLEY, Nylon	
12	7091601	1	NUT, 5/16-18 Hex Flange Lock, GR 5	<i>was 7091070</i>
13	7072107	3	WASHER, 15/32" Flat	
14	7013860	3	RIVET, 3/16 x .344	
15	7016814	1	*PLUG, Chute Adapter	
16	7043327	1	BRACE, Bag Adapter	<i>P216018KVV & RP216018KVV</i>
17	7078102	1	SCREW, M6 x 1.0 x 30MM Hex Head Cap	<i>P216018KVV & RP216018KVV</i>
18	7078101	1	SLEEVE, .237/.242 ID x .3135/.3185 x .748 (not shown)	<i>Kawasaki models only</i>

Footnotes:

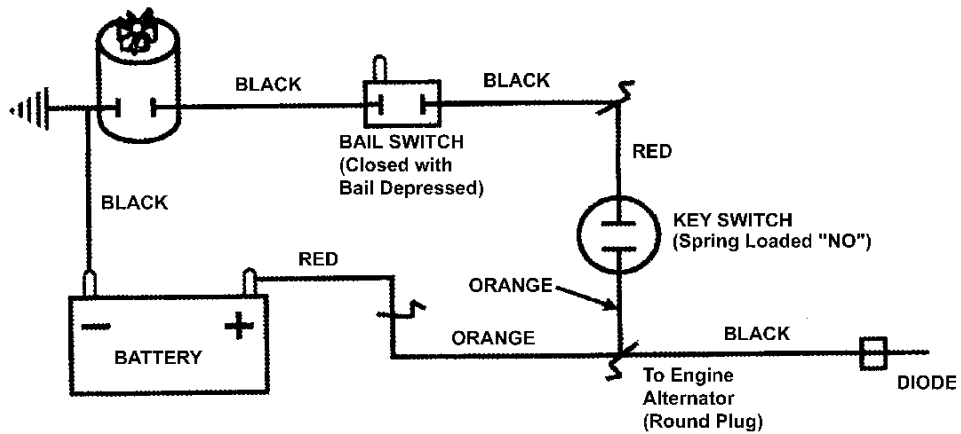
NOTE: Bag Assembly 7058571 is composed of items 2, 3 and 4.

Note* Used on P216018KVV, P217018BV, P217018BVE & EP217018BV

ELECTRIC START COMPONENTS



STARTER MOTOR



BATTERY WIRING SCHEMATIC FOR BRIGGS ENGINE

ELECTRIC START COMPONENTS

Item	Part No	Qty	Description	Note
--	7067012	1	*KIT, Battery 12V	<i>P217018BVE & RP217018BVE</i>
1	7067012	1	BATTERY, 12 Volt, 35 CCA	<i>was 7019763</i>
2	7015488	1	HARNESS, Battery	
3	7043977	2	SCREW, #10-24 x 1/2" Pan Head Machine	
4	7090932	2	NUT, #10-24 Square	
5	--	1	**SWITCH ASSEMBLY (Incl. items 6 thru 11)	
6	7011138	1	KEY (Set of Two)	
7	7023506	1	BEZEL (Seal & Face Nut)	
8	7029080	1	COVER, Switch	
9	7012685	1	NUT, 5/8-32 Hex Lock	
10	7028765	1	SWITCH, Ignition (spring loaded ON/OFF 2 prong)	
11	7016132	1	SPACER	
12	7078025	1	WIRING HARNESS, B&S WBM	<i>similar to 7074383</i>
13	7032906	1	BRACKET, Battery	
14	7036132	1	COVER, Battery	
15	7090731	2	BOLT, 5/16-18 x 1/2" Short Neck Carriage GR 5	
16	7091601	3	NUT, 5/16-18 Hex Flange Lock, GR 5	<i>was 7090585</i>
17	7012652	1	CLIP, Wiring	
18	7018834	1	CHARGER, Battery (120 Volt; 60 Hertz)	
18	7018977	1	CHARGER, Battery (230 Volt; 50 Hertz)	
19	7090799	1	BOLT, 5/16-18 x 5/8" Short Neck Carriage GR 5	<i>was 7091026</i>
20	7011791	1	RETAINER, 5/16" Bolt	

Footnotes:

Note* For battery and charger kit order 7061267.

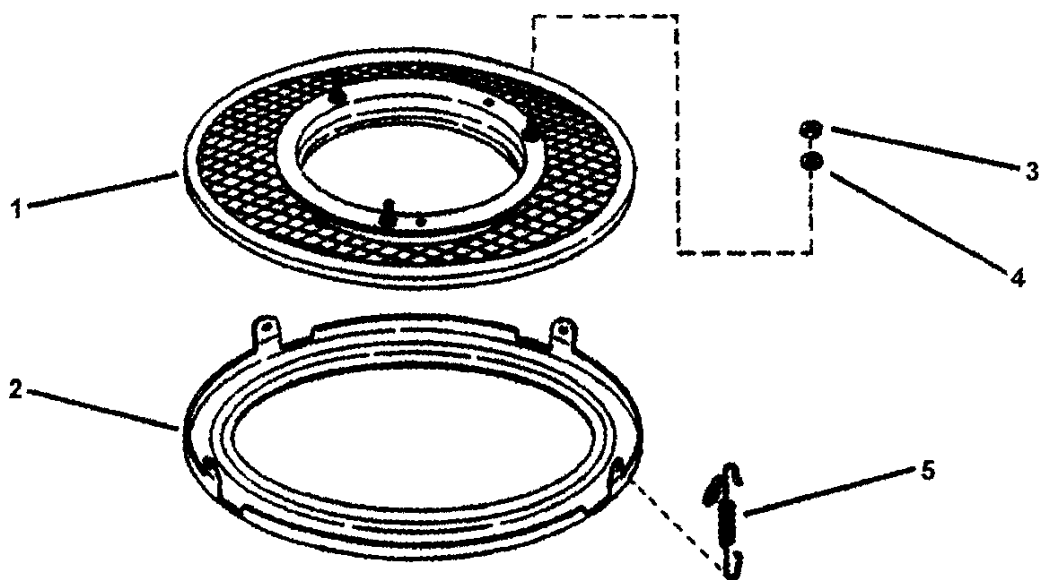
Note** Not available as a part sale item, order individual parts.



DECALS

Item	Part No	Qty	Description	Note
1	7029365	1	DECAL, Easy Walk	
2	7075524	1	DECAL, Throttle Control, KVV	
3	7075532	1	DECAL, Throttle Control, B&S	
4	7075471	1	DECAL, Speed Shift	
5	7046720	1	DECAL, Chute/Deflector	
6	7075688	1	DECAL, Ignition Switch	
7	7013010	1	DECAL, Danger, Cut Finger	
8	7075750	1	DECAL, Hi Vac	
9	7075619	1	DECAL, Ninja	
10	7075618	1	DECAL, Snapper	
11	7072921	1	DECAL, Warning (Deck)	
12	7029490	1	DECAL, 2004 Year of Mfg.	
13	7029776	1	DECAL, Euro Community (CE)	
14	7029779	1	DECAL, Spart Plug International Symbol	
15	7073462	1	DECAL, Caution, Symbols	
16	7074135	1	DECAL, Noise (European)	
17	7022841	2	DECAL, Warning (Euro)	
18	7078022	1	DECAL, OPEI Walk/Ride	
19	7046357	1	DECAL, Warning	
20	7029784	2	DECAL, Deck/Chute International Warning	
21	7029782	1	DECAL, OPC Bail (International Symbol)	
22	7029470	1	DECAL, Patent Numbers	<i>not shown</i>

Footnotes:



SNAPPERIZER ACCESSORY

Item	Part No	Qty	Description	Note
--	7060440	--	KIT, Snapperizer (Incl. items 1 & 2 thru 5)	<i>(for Hi-Vac Rolled Under Lip type decks)</i>
--	7063041	--	KIT, Snapperizer (Incl. items 1& 2A thru 5)	<i>(for "FR" type decks)</i>
1	7051243	1	SCREEN, Fastener Assembly	
2	7039579	1	RING, Bottom (21.77" Inside Diameter)	
2A	7072002	1	RING, Bottom (22.60" Inside Diameter)	
3	7091297	3	NUT, 5/16-24 Hex, GR 5	<i>was 7090223 (only 1 shown)</i>
4	7090187	3	WASHER, 5/16" Split Lock	<i>only 1 shown</i>
5	7012587	3	SPRING	<i>only 1 shown</i>

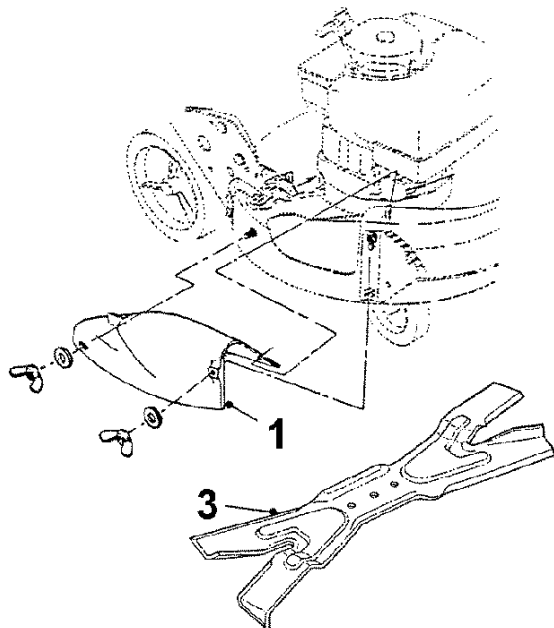
Footnotes:

THATCHERIZER ASSEMBLY

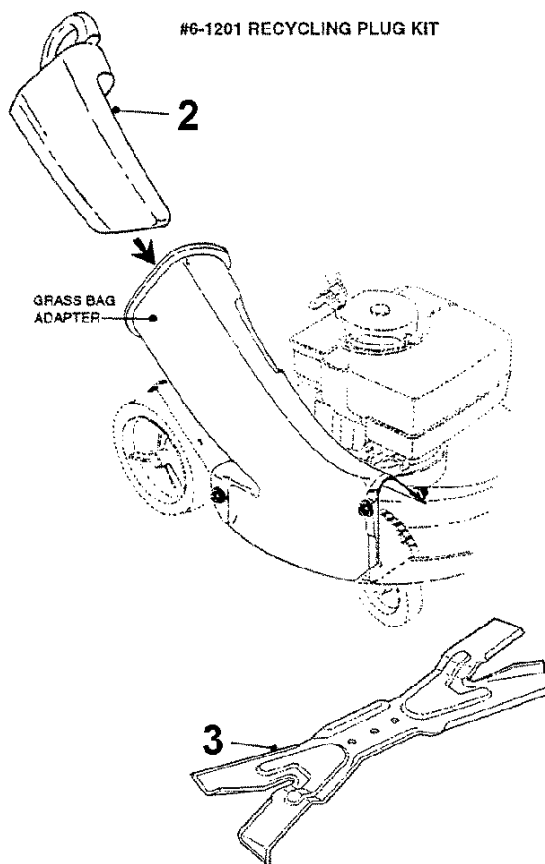
Item	Part No	Qty	Description	Note
--	7061256	--	KIT, Thatcherizer (Incl. items 1 thru 27)	
1	7032891	2	LATCH, Frame Attachment	
2A	7026572	1	BAR, Mount (Right Hand)	
2B	7026573	1	BAR, Mount (Left Hand)	
3	7018499	2	ROD, Tine	
4	7018700	1	SUPPORT, Wheel	
5	7019948	1	TRAY, Tine	
6	7018496	6	KIT, Tine Thatching Spring	was 7060574
7	7014100	1	BUSHING, Wheel Adjuster	
8	7018493	1	AXLE, Wheel	
9	7018189	1	WHEEL, 7.00 x 1.50 Gage	
10	7091705	10	NUT, 1/4-20 Hex Top Lock	was 7090761 (only 9 shown)
11	7091294	4	WASHER, 1/4" Flat	was 7090055
12	7022425	2	SPRING, Compression	
13	7090825	2	BOLT, 1/4-20 x 1-1/4" Hex, GR 5	
14	7091576	2	NUT, 1/4-20 Hex, GR 5	was 7090063
15	7022424	2	CAP, Vinyl	
16	7090015	2	BOLT, 1/4-20 x 2-1/2" Square Neck Carriage	only 1 shown
17	7091303	6	BOLT, 5/16-18 x 1" Square Neck Carriage, GR 5	was 7090383 (only 1 shown)
18	7091530	2	BOLT, 1/4-20 x 3/4" Square Neck Carriage, GR 5	was 7090074
19	7014098	6	WASHER, Reinforcing	only 1 shown
20	7090187	6	WASHER, 5/16" Split Lock	only 1 shown
21	7091511	6	NUT, 5/16-18 Hex, GR 5	was 7090196 (only 1 shown)
22	7014101	2	NUT, 1/2" Push	
23	7014342	4	BEARING, Nyliner	
24	7014103	1	SCREW, 5/16-18 x 1/4" Set	
25	7090250	2	WASHER, 1/2" Flat	
26	7014115	1	DECAL, Adjustment	
27	7014062	1	DECAL, Thatcherizer	

Footnotes:

#6-1200 RECYCLING COVER KIT



#6-1201 RECYCLING PLUG KIT



RECYCLING KITS ACCESSORY

Item	Part No	Qty	Description	Note
	7061200	--	KIT, Recycling Cover (Includes the 2 items below)	<i>for 4HP & above engines</i>
	7061201	--	KIT, Recycling Plug (Incl. items 1 & 2 below)	<i>for 4HP & above engines</i>
1	7029149	1	COVER, 21" Deck	
2	7016814	1	PLUG, Chute Adapter	
3	7026407	1	BLADE, 21" Quad Edge Ninja	

Footnotes:

Parts Manual for

SNAPPER®

21" STEEL DECK WALK BEHIND MOWERS SERIES 18

IT IS THE POLICY OF SNAPPER TO IMPROVE ITS PRODUCTS
WHENEVER IT IS POSSIBLE AND PRACTICAL TO DO SO. WE
RESERVE THE RIGHT TO MAKE CHANGES OR ADD IMPROVEMENTS
AT ANY TIME WITHOUT INCURRING ANY OBLIGATION TO MAKE
SUCH CHANGES ON PRODUCTS MANUFACTURED PREVIOUSLY.

SNAPPER® McDonough, GA, 30253 U.S.A.

Free Manuals Download Website

<http://myh66.com>

<http://usermanuals.us>

<http://www.somanuals.com>

<http://www.4manuals.cc>

<http://www.manual-lib.com>

<http://www.404manual.com>

<http://www.luxmanual.com>

<http://aubethermostatmanual.com>

Golf course search by state

<http://golfingnear.com>

Email search by domain

<http://emailbydomain.com>

Auto manuals search

<http://auto.somanuals.com>

TV manuals search

<http://tv.somanuals.com>