

Osterizer®

BLENDER



MODEL/MODÈLE
MODELO

250-22	465-31	4122	4655
450-10	465-41	4126	4090
450-20	465-42	4128	465-13
450-21	465-43	4134	
461-13	465-52	4190	
465-15	465-54	4241	

INSTRUCTION MANUAL

OSTERIZER® BLENDER

READ ALL INSTRUCTIONS BEFORE USING THIS APPLIANCE

MANUEL D'INSTRUCTIONS

MÉLANGEUR OSTERIZER®

LIRE TOUTES LES INSTRUCTIONS AVANT D'UTILISER CET APPAREIL

MANUAL DE INSTRUCCIONES

LICUADORA OSTERIZER®

LEA TODAS LAS INSTRUCCIONES ANTES DE USAR ESTE APARATO

MANUAL DE INSTRUÇÕES

LIQUIDIFICADOR OSTERIZER®

LEIA TODAS AS INSTRUÇÕES ANTES DE USAR ESTE APARELHO

IMPORTANT SAFEGUARDS

When using electrical appliances, basic safety precautions should always be followed, including the following:

READ AND KEEP ALL INSTRUCTIONS.

1. To protect against risk of electrical shock, do not put Blender base in water or other liquid.
2. Close supervision is necessary when any appliance is used by or near children, or incapacitated persons.
3. Unplug from outlet when not in use, before putting on or taking off parts, and before cleaning.
4. Avoid contact with moving parts.
5. **DO NOT** operate any appliance with a damaged cord or plug or after the appliance malfunctions, or is dropped or damaged in any manner. Return appliance to the nearest Authorized Sunbeam Appliance Service Center for examination, repair or electrical or mechanical adjustment.
6. The use of attachments, including canning and/or ordinary jars and processing assembly parts not recommended by SUNBEAM® or OSTER®, may cause a risk of injury to persons.
7. Keep hands and utensils out of jar while blending to prevent the possibility of severe injury to persons and/or damage to the Blender. If scraping, folding, etc., is necessary, turn off and unplug the Blender, and only use a rubber spatula.
8. Blades are sharp. Handle carefully.
9. To reduce risk of injury to persons, never place cutting blades on base without Blender jar properly attached.
10. Screw on jar bottom firmly. Injury can result if moving blades become exposed.
11. Always operate Blender with cover in place.
12. Make sure that the voltage in your outlet is the same as the voltage indicated on the appliance.
13. Always hold jar while processing. If the jar should turn when the motor is switched "On", switch "Off" immediately and tighten Blender jar in threaded jar bottom.
14. When blending hot liquids, remove the feeder cap from the two-piece cover. **DO NOT** fill Blender jar beyond the four-cup level. On six-cup models, **DO NOT** fill beyond five-cup level. Always begin processing at the lowest speed setting. Keep hands and other exposed skin away from the cover opening to prevent possible burns.
15. **DO NOT** use outdoors.
16. **DO NOT** let the cord hang over edge of table or countertop.
17. **DO NOT** let cord rest against hot surfaces.
18. **DO NOT** leave Blender unattended while it is operating.

19. This appliance is not intended for use by persons (including children) with reduced physical, sensory or mental capabilities, or lack of experience and knowledge, unless they have been given supervision or instruction concerning use of the appliance by a person responsible for their safety. Children should be supervised to ensure that they do not play with the appliance.

THIS UNIT IS FOR HOUSEHOLD USE ONLY.

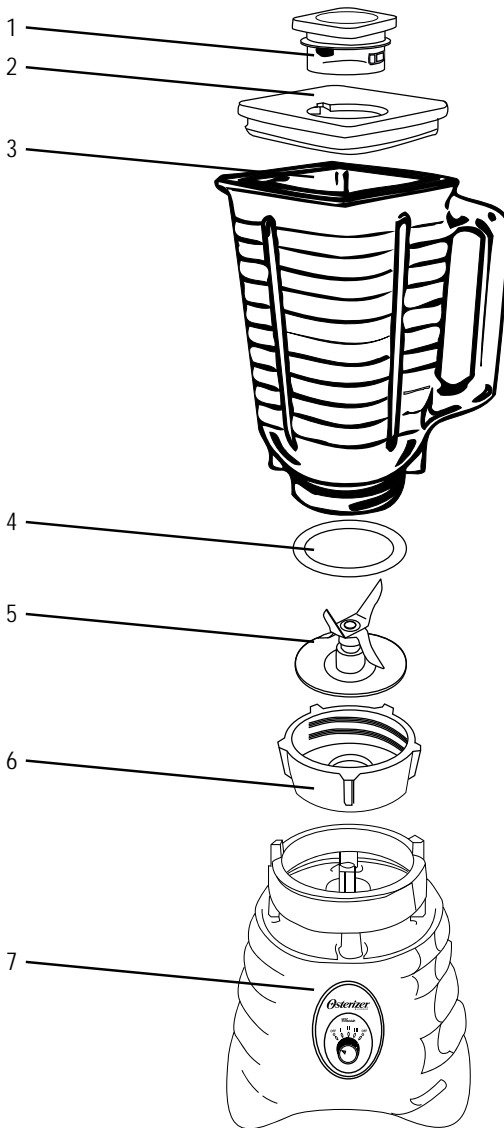
The maximum rating as marked on the unit is based on the attachment that draws the greatest load. Other recommended attachments may draw significantly less power.

SAVE THESE INSTRUCTIONS

POWER CORD SPECIAL INSTRUCTIONS

- Try to position the blender near the power source to reduce the hazards associated with power cords (such as becoming entangled or tripping over a long power cord).
- Do not pull, twist or otherwise abuse the power cord.
- Do not wrap the power cord around the main body of the blender during or after use.
- Do not use an extension cord with this product.

DESCRIPTION OF THE APPLIANCE



- 1. Plastic feeder cap
- 2. Vinyl cover
- 3. Jar
- 4. Sealing ring

- 5. Ice Crushing Blade
- 6. Threaded jar bottom
- 7. Housing motor base

KNOWING YOUR OSTERIZER® BLENDER

COVER

The cover for your OSTERIZER® Blender consists of two parts, the plastic feeder cap and the vinyl cover. The cover is self-sealing, and is made of vinyl which is resistant to absorption of odors and stains. The feeder cap is removable for use as a measuring cup and provides an opening for the addition of other ingredients.

JAR

The jar for the Blender is graduated for easy measurement and is molded of heat and cold resistant material. The convenient handle and pouring lip permit easy removal of liquid mixtures while thicker mixtures are more easily removed through the bottom opening.

PROCESSING ASSEMBLY

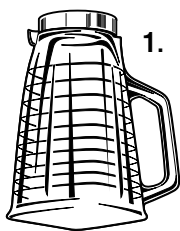
The processing assembly consists of three parts: a sealing ring used as a cushion between the jar and the blade; a blade of high-grade stainless steel; a threaded jar bottom.

MOTOR AND MOTOR BASE

The powerful multi-speed motor is the heart of the appliance and is designed just for this unit. It is completely enclosed within the housing. The motor uses a "free-floating" feature to reduce noise and wear. This allows the square post which protrudes from the motor base to move slightly from side to side. The powerful food processing motor can be overloaded. To avoid this possibility, closely follow the instructions in this book.

ASSEMBLING YOUR BLENDER

CAUTION: Follow these important steps to assemble, tighten, and mount Blender jar quickly and correctly. INJURY MAY RESULT IF MOVING BLADES ARE EXPOSED.



1.



2.



3.

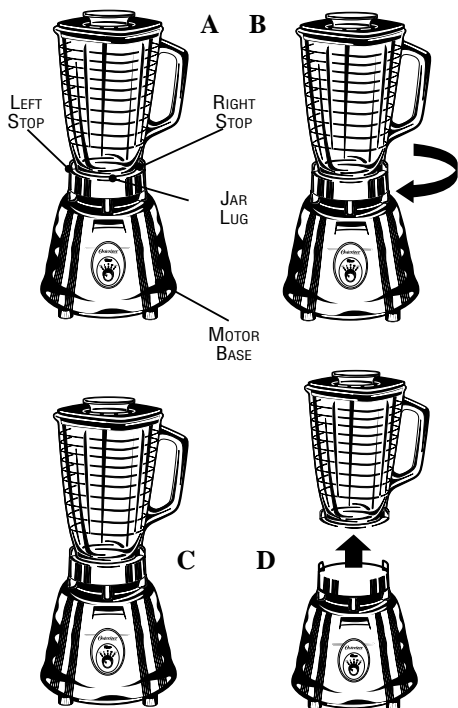


4.

1. Turn jar upside down so the small opening is at the top.
2. Place sealing ring on jar opening.

3. Turn the blade blades upside down and place in mouth of jar.
4. Thread jar bottom to jar.

TIGHTENING THE JAR



A. To tighten jar bottom, put assembled jar securely into motor base ring with handle and lug in front of the right stop.

B. Using jar handle, turn jar to the left as far as possible. This insures that the jar bottom is tightened properly. Remove jar from motor base and mount.

C. To operate Blender, place assembled jar in motor base ring with jar lug against flat side of the motor base stop. If jar lug does not rest against flat side of right stop, remove jar assembly and place against flat side of left stop. Seat jar firmly and operate.

D. To remove jar, lift straight up. (If it is not easily removed, rock gently and lift up, do not twist). If jar bottom cannot be loosened by hand, place assembled jar into motor base ring with handle in front of left side stop. Using handle, turn jar to right until jar bottom loosens.

Do not attempt to place the jar on or attempt to remove it from the motor base while the motor is running.

ALWAYS HOLD JAR WITH ONE HAND WHILE PROCESSING!

CARE AND CLEANING

Blender jar parts are corrosion resistant, sanitary and easily cleaned. Before first use and after every use, separate jar parts and clean thoroughly in warm, soapy water, then rinse and dry well. **DO NOT WASH ANY PARTS IN AN AUTOMATIC DISHWASHER.**

Periodically check all parts before re-assembly. If the processing blades are stuck or difficult to turn, **DO NOT USE BLENDER.** Check by carefully turning the blades in a counterclockwise direction (opposite edges are sharp). Blades should turn freely.

If the jar is chipped or cracked, **DO NOT USE BLENDER.** Further use could result in the jar breaking during use. Use only OSTERIZER® Blender recommended replacement parts available at an Authorized Service Center.

USE OF DAMAGED OR NON-RECOMMENDED PARTS COULD RESULT IN SEVERE PERSONAL INJURY AND/OR DAMAGE TO THE BLENDER.

See Page 4 for proper jar assembly and user instructions.

NEVER IMMERSE THE MOTOR BASE IN WATER. The housing can be cleaned with a damp cloth (*unplug first*). The motor is permanently lubricated and does not require any additional lubrication. **ANY SERVICING SHOULD BE PERFORMED BY AN AUTHORIZED SERVICE FACILITY.**

HOW YOUR OSTERIZER® BLENDER WORKS

Your OSTERIZER® Blender is a multi-speed appliance which operates on a wide range of speeds from very slow to very fast. This range of speeds makes food preparation easy, interesting and fast.

In addition, your OSTERIZER® Blender has two distinct methods of operation:

1. CONTINUOUS run for blending, liquefying and fine chopping.
2. CONTROLLED CYCLE BLENDING, used for chopping pieces of food, such as vegetables, nuts or cheeses. There are several different ways of operating the CONTROLLED CYCLE / BLENDING CYCLE feature, but all involve turning the motor "ON" and "OFF" intermittently. When "ON," food is chopped and tossed away from the blades. When "OFF," the food is distributed around the blades to make processing more uniform.

NOTE: A cycle consists of operating the blender for about two seconds and then allowing the blades to coast to a stop.

DO'S AND DON'TS

Do's:

- Use only the line voltage and frequency as specified on the bottom of the Blender.
- Always operate Blender on a clean, dry surface to prevent air from carrying foreign material or water into the motor.
- Put liquid portions of recipes into Blender jar first unless the instructions in recipes specify otherwise.
- Cut all firm fruits and vegetables, cooked meats, fish and seafoods into pieces no larger than 3/4 inch/1.8 cm to 1 inch/2.5 cm. Cut all kinds of cheeses into pieces no larger than 3/4 inch/1.8 cm.
- Use rubber spatula to push ingredients to be chopped into liquid portion of recipe ONLY when motor is OFF.
- Place cover firmly on Blender jar before starting, and rest hand on the jar cover when starting and running motor.
- Remove heavy dips and spreads, nut butters, mayonnaise and products of similar consistency by removing the processing assembly and pushing the mixture out through the bottom opening into serving dishes or storage jar.
- Pour mixture of liquid or semi-liquid consistency, such as muffin and cake batter, from Blender jar.
- Allow cooked vegetables and broth to cool before pouring into Blender jar for processing.
- If the motor seems to labor when processing at one of the lower speeds, switch to the next higher speed to prevent overloading the motor.
- Use a Mini Jar or 5-cup/1.2 liter blender jar to process citrus rind, coffee beans or cereal grains. Use only glass Blender jar to process whole spices and hard cheese.

Don'ts:

- Do Not expect your Blender to replace all of your kitchen appliances. It will not: mash potatoes, whip egg whites or substitutes for dairy toppings, grind raw meat, knead or mix stiff dough or extract juices from fruits and vegetables.
- Do Not process mixtures too long. Remember, the Blender performs its tasks in seconds, not minutes. It is better to stop and check the consistency after a few seconds than to overblend and have a mushy or too finely ground product.
- Do Not overload the motor with extra-heavy or extra-large loads. If the motor stalls, turn off immediately, unplug cord from outlet and remove a portion of the load before beginning again.
- Do Not attempt to remove Blender jar from motor base or replace it until the motor has come to a complete stop. Blender parts can be damaged.
- Do Not remove jar cover while processing, as food spillage can occur. Use feeder cap opening to add ingredients.
- Do Not place or store processing assembly on motor base without first correctly assembling to Blender jar. Severe injury can result if Blender is accidentally turned on.
- Do Not use any utensil, including spatulas, in the jar while the motor is running. They can catch in the moving blades, break the jar and cause severe injury.
- Do Not use ANY jar not recommended by the manufacturer for processing foods. Other jars may break or loosen during processing and cause severe injury.
- Do Not use Mini Jars for processing whole spices (except peppercorns) or hard cheeses, as they can break the Mini Jars and cause injury.

RECIPES FOR YOUR BLENDER

ESPRESSO MOUSSE

1/4 cup/50 ml cold water	1 Tbsp./15 ml sugar
2 envelopes unflavored gelatin	1/2 tsp./2 ml vanilla extract
1/2 cup/125 ml brewed espresso	1 cup/250 ml heavy cream
1/2 cup/125 ml boiling water	2 egg yolks
1 cup/250 ml semi-sweet chocolate morsels	1-1/2 cups/375 ml ice cubes

Put cold water and gelatin into your OSTERIZER® Blender jar and let set 2 minutes; then add hot espresso and boiling water. Cover, vent feeder cap and process at PULSE until gelatin is dissolved. Turn unit to ON. With motor running, remove feeder cap, add chocolate morsels, sugar and vanilla extract. Continue processing until mixture is smooth. Add cream, egg yolks and ice, replace cap and continue processing until mixture begins to thicken. Pour at once into serving dishes. Let set 5 to 10 minutes before serving. Garnish with sweetened whipped cream and chocolate shavings.

CREAM OF BROCCOLI SOUP

1 cup/250 ml water	2 chicken bouillon cubes
1 package/10 oz. or 280 g frozen chopped broccoli	1/2 cup/125 ml all-purpose flour
2 cups/500 ml milk	1 cup/250 ml half and half
2 cups/250 ml processed cheese, cubed	croutons for garnish

In a large saucepan, cook broccoli in 1 cup/250 ml water. (Do Not Drain)
Put milk, cheese cubes, bouillon and flour into your Osterizer® Blender jar. Cover and process at ON. Add cheese mixture to broccoli. Add the half and half. Cook, stirring frequently, over medium heat until hot and until mixture thickens. Serve garnished with croutons.

Yield: 4 – 6 Servings

MAYONNAISE

1 egg	dash cayenne pepper
1/2 tsp./2 ml dry mustard	2 Tbsp./30 ml white tarragon vinegar
1/2 tsp./2 ml sugar	1 cup/250 ml salad oil
1/2 tsp./2 ml salt	

Put eggs, seasonings, vinegar and 1/4 cup/50 ml of oil into your OSTERIZER® Blender jar. Cover and process at MED-HIGH speed. Immediately remove feeder cap and pour in the remaining oil in a steady stream. If necessary, STOP BLENDER, use rubber spatula to keep mixture around processing blades. Cover and continue to process. Store covered in the refrigerator up to 1 week.

Yield: About 1-1/4 cups/300 ml

VARIATION: For low-cholesterol Mayonnaise, use 2 egg whites instead of 1 whole egg. Process as above.

APPETIZERS

NIPPY ONION DIP

1/3 cup/75 ml water
1 package dry onion soup mix
1 Tbsp./15 ml horseradish

1 cup/250 ml creamed cottage cheese
4 strips bacon, diced, fried and
well drained

Put water, onion soup mix, horseradish and cottage cheese into your OSTERIZER® Blender jar. Cover and process at BLEND until smooth. Use a base for chilled dips such as California Onion Dip, on baked potatoes or in salads.

Yield: 1-1/2 Cups/375 ml

BEVERAGES

DAIQUIRI

1/3 cup/75 ml frozen limeade concentrate
5 ice cubes

3 jiggers light rum

Put all ingredients into your OSTERIZER® Blender jar. Cover and process at LIQUEFY (ICE CRUSH) until smooth. Stop blender, add ice cream, cover and process 1 cycle at BLEND.

Yield: 2 6-oz./170-g Servings

VARIATION:FROZEN DAIQUIRI

Add one more jigger rum, double the amount of ice and continue to blend until the consistency of sherbet. Do not strain.

Yield: 4 - 6 oz./170 g Servings

MILK SHAKES AND MALTS

1 cup/250 ml milk
2 cups/500 ml vanilla ice cream

flavoring
malt powder, if desired

Put all ingredients into your OSTERIZER® Blender jar. Cover and process at LIQUEFY (ICE CRUSH) until smooth.

Yield: 2 8-oz./225-g Servings

I-YEAR LIMITED WARRANTY

Sunbeam Products, Inc. ("Sunbeam") warrants that for a period of ONE year from the date of purchase, this product will be free from defects in material and workmanship. Sunbeam, at its option, will repair or replace this product or any component of the product found to be defective during this warranty period. Replacement will be made with a new or remanufactured product or component. If the product is no longer available, replacement may be made with a similar product of equal or greater value. This is your exclusive warranty.

This warranty is valid for the original retail purchaser from the date of initial retail purchase and is not transferable. Keep the original sales receipt. Proof of purchase is required to obtain warranty performance. Sunbeam dealers, service centers or retail stores selling Sunbeam products do not have the right to alter, modify or any way change the terms and conditions of this warranty.

This warranty does not cover normal wear of parts or damage resulting from any of the following: negligent use or misuse of the product, use on improper voltage or current, use contrary to the operating instructions, disassembly, repair or alteration by anyone other than Sunbeam or an Authorized Service Center. Further, the warranty does not cover Acts of God, such as fire, flood, hurricanes and tornadoes.

Sunbeam shall not be liable for any incidental or consequential damages caused by the breach of any express or implied warranty. Except to the extent prohibited by applicable law, any implied warranty of merchantability or fitness for a particular purpose is limited in duration to the duration of the above warranty.

How To Obtain Warranty Service: Please see country specific warranty insert or contact your local authorized distributor.

DO NOT RETURN THIS PRODUCT TO THE PLACE OF PURCHASE

PRÉCAUTIONS IMPORTANTES

Lors de l'utilisation d'appareils électriques, certaines précautions essentielles doivent toujours être observées, notamment :

LISEZ ET CONSERVEZ LES INSTRUCTIONS.

1. Pour vous protéger des risques d'électrocution, ne plongez jamais le moteur du Mélangeur dans de l'eau ou tout autre liquide.
2. Faites particulièrement attention lorsque l'appareil est utilisé par, ou en présence d'enfants.
3. Débranchez toujours l'appareil de la prise de courant lorsque vous ne vous en servez pas, ainsi qu'avant d'ajouter ou de démonter des pièces et avant toute opération de nettoyage.
4. Évitez de toucher aux parties mobiles de l'appareil.
5. **NE FAITES PAS** fonctionner un appareil électrique dont le cordon ou la fiche est abîmée, après qu'il ait révélé une quelconque défaillance, qu'il soit tombé ou ait été endommagé de quelque façon que ce soit. Ramenez l'appareil à l'Atelier de Réparation Électroménager Sunbeam agréé le plus proche pour examen, réparation ou encore entretien électrique ou mécanique.
6. L'utilisation d'accessoires, y compris de bocaux de mise en conserve et de pièces pour le bloc-couteaux, non recommandés ou vendus par SUNBEAM® ou OSTER®, est susceptible de causer des accidents, des électrocutions ou des blessures.
7. Ne mettez ni les mains ni aucun ustensile dans le récipient du Mélangeur lors du fonctionnement, pour éviter des blessures graves ou l'endommagement de l'appareil. Une spatule en caoutchouc peut être utilisée, mais uniquement lorsque le Mélangeur est arrêté.
8. Les lames sont aiguisées; maniez-les avec précaution.
9. Pour éviter toute blessure, ne positionnez jamais les lames sur le socle sans que le récipient soit convenablement mis en place.
10. Veillez à bien visser la bague de fixation du récipient. Les lames en mouvement risquent de provoquer des accidents si elles ne sont pas bien protégées.
11. Mettez toujours le couvercle lors de l'utilisation du Mélangeur.
12. Assurez-vous que le voltage de votre installation électrique est le même que celui indiqué sur l'appareil
13. Maintenez toujours le récipient lors du fonctionnement. Si le récipient se met à tourner lorsque l'appareil est en marche (position ON), éteignez immédiatement l'appareil (position OFF) et vissez correctement la bague de fixation fileté.
14. Lors du mélange de liquides chauds, ôtez le bouchon de remplissage du couvercle en deux parties. **NE PAS REMPLIR** le récipient du Mélangeur au-delà du niveau des quatre tasses. Sur les modèles à six tasses, **NE PAS REMPLIR** au-delà du niveau des cinq tasses. Toujours commencer l'opération de mélange au réglage de vitesse le plus bas. Gardez les mains et toute partie de peau exposée loin de l'ouverture du couvercle, pour éviter tout risque possible de brûlures.
15. **N'UTILISEZ PAS** l'appareil à l'extérieur.
16. **NE LAISSEZ PAS** le cordon pendre sur le rebord d'une table ou d'un meuble.

17. **NE LE LAISSEZ PAS** non plus entrer en contact avec des surfaces chaudes.
18. **NE LAISSEZ JAMAIS** l'appareil en marche sans surveillance.
19. Cet appareil n'est pas destiné à être utilisé par des personnes (enfants y compris) dont les capacités physiques, sensorielles ou mentales sont diminuées, ou qui ne disposent pas des connaissances ou de l'expérience nécessaire, à moins qu'elles n'aient été formées et encadrées pour l'utilisation de cet appareil par une personne responsable de leur sécurité. Les enfants doivent être surveillés pour s'assurer qu'ils **NE jouent PAS** avec l'appareil.

CET APPAREIL EST CONÇU POUR UN USAGE DOMESTIQUE EXCLUSIVEMENT.

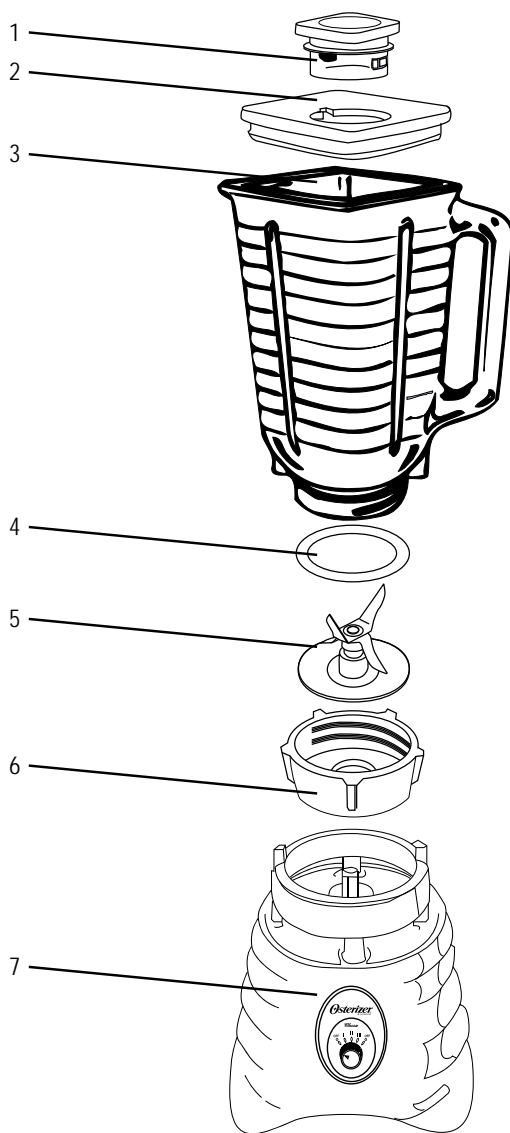
La consommation maximale indiquée sur l'appareil correspond à l'accessoire représentant la plus forte charge. La puissance requise par les autres accessoires conseillés peut être nettement inférieure.

SAUVEGARDER CES INSTRUCTIONS

RECOMMANDATIONS D'USAGE DU CÂBLE D'ALIMENTATION

- Essayer de placer le mixeur le plus près possible de la prise murale pour éviter tout risque en rapport avec le câble d'alimentation (par exemple, s'enchevêtrer sur un long cordon et tomber)
- Ne pas tirer, tordre ou essayer d'endommager le cordon.
- Ne pas enrouler le cordon autour de la base du mixeur pendant ou après usage.
- Ne pas utiliser de rallonge avec cet appareil.

DESCRIPTION DE L'APPAREIL



1. Le Bouchon de Remplissage en Plastique
2. Couverture en Vinyle
3. Récipient
4. Joint d'étanchéité

5. Lames
6. Base de Récipient Filetée
7. Moteur et Bloc-Moteur

DÉCOUVREZ VOTRE MÉLANGEUR OSTERIZER®

COUVERCLE

Le couvercle du Mélangeur Osterizer® comprend deux parties : le bouchon de remplissage en plastique et le couvercle en vinyle. Le couvercle en vinyle est hermétique et résiste aux taches et à l'absorption d'odeurs. Le bouchon de remplissage s'enlève pour servir de verre-doseur et permettre l'ajout d'ingrédients dans le récipient.

RÉCIPIENT

Le récipient du Mélangeur, gradué pour faciliter les mesures, est moulé dans un matériau résistant à la chaleur et au froid. La poignée et le bec verseur sont prévus pour les mélanges liquides, alors que les mélanges plus épais peuvent plus facilement être sortis par l'ouverture à la base du récipient.

BLOC-COUTEAU

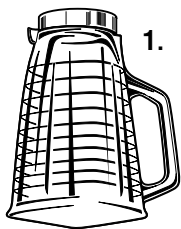
Le bloc-couteau comprend trois parties : un joint d'étanchéité placé entre le récipient et le couteau, des lames en acier inoxydable de haute qualité et une base de récipient fileté.

MOTEUR ET BLOC-MOTEUR

Le puissant moteur multivitesse constitue le cœur de l'appareil. Il est conçu exclusivement pour ce modèle. Il est intégralement contenu dans le boîtier. Le moteur est de type «flottant», ce qui contribue à réduire le bruit et l'usure. Ceci permet à l'arbre de section carrée dépassant du bloc-moteur de se déplacer légèrement d'un côté à l'autre. Malgré sa puissance, il est possible qu'une surcharge du moteur du Mélangeur se produise. Pour éviter ce type d'incident, veillez à bien respecter les instructions contenues dans ce manuel.

ASSEMBLAGE DU MÉLANGEUR

ATTENTION : Suivre ces étapes importantes pour assurer un assemblage, un serrage et un montage corrects et rapides du récipient. LES LAMES AMOVIBLES EXPOSÉES PEUVENT CAUSER DES BLESSURES.



1.



2.



3.

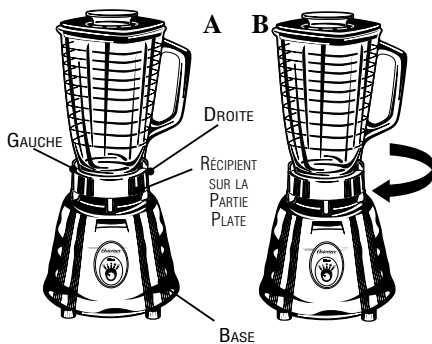


4.

1. Retourner le récipient de manière à ce que l'ouverture étroite soit en haut.
2. Placer le joint d'étanchéité sur l'ouverture du récipient.

3. Retourner les lames du batteur et les placer à l'entrée du récipient.
4. Visser la base du récipient. Veiller à bien engager le filetage. Serrer fermement.

SERRAGE DU RÉCIENT



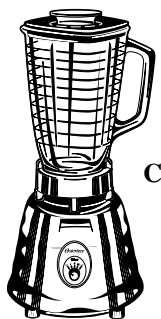
- A. Pour serrer la base du récipient, placer l'ensemble du récipient sur la bague de fixation du bloc-moteur en alignant la poignée et la languette de fixation sur la butée droite.

- B. En le saisissant par la poignée, faire tourner le récipient aussi loin que possible vers la gauche. Ceci assure un bon serrage de la base du récipient. Détacher le récipient du bloc-moteur et effectuer le montage.

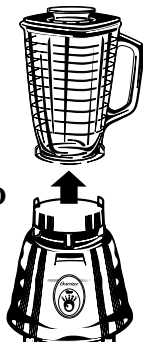
- C. Pour utiliser le Mélangeur, placer le récipient assemblé sur la bague de fixation du bloc-moteur en appuyant la languette de fixation du récipient sur la partie plate de la butée du bloc-moteur. Si la languette du récipient ne repose pas contre le côté plat de la butée droite, enlever le récipient et le placer contre le côté plat de la butée gauche. Bien positionner le récipient et faire fonctionner l'appareil.

- D. Pour démonter le récipient, le soulever verticalement (s'il ne se détache pas facilement, le basculer légèrement sur les côtés puis le soulever; ne pas le faire tourner). Si la base du récipient ne se desserre pas à la main, placer l'ensemble du récipient sur la bague de fixation du bloc-moteur avec la poignée sur la butée gauche. En le maintenant par la poignée, faire tourner le récipient vers la droite jusqu'à ce que sa base soit desserrée.

Ne pas tenter de mettre le récipient en place ou de le détacher du bloc-moteur pendant que le moteur est en marche.



C



D

TOUJOURS MAINTENIR LE RÉCIENT AVEC UNE MAIN LORS DU FONCTIONNEMENT!

ENTRETIEN ET NETTOYAGE DU MÉLANGEUR OSTERIZER®

Les différents éléments du récipient du Mélangeur sont résistants à la corrosion, hygiéniques et faciles à laver. Avant la première utilisation et après chaque utilisation par la suite, séparer les éléments du récipient et les laver avec soin dans de l'eau savonneuse chaude, puis les rincer avant de bien les sécher. **NE LAVER AUCUNE DES PIÈCES AU LAVE-VAISSELLE.**

Contrôler régulièrement l'état des pièces avant leur remontage. Si les lames du batteur sont coincées ou difficiles à tourner, **NE PAS UTILISER** le Mélangeur. Effectuer un contrôle en les faisant tourner dans le sens inverse des aiguilles d'une montre (*les arêtes opposées sont tranchantes*). Les lames doivent tourner librement.

Si le récipient est ébréché ou fêlé, **NE PAS UTILISER** le Mélangeur. Un tel récipient est susceptible de se casser durant l'utilisation du Mélangeur. Utiliser uniquement les pièces de rechange recommandées par Osterizer et disponibles auprès des réparateurs agréés.

L'UTILISATION DE PIÈCES ENDOMMAGÉES OU NON RECOMMANDÉES PEUT ENTRAÎNER DES BLESSURES GRAVES ET/OU L'ENDOMMAGEMENT du Mélangeur. Voir les instructions d'assemblage et d'utilisation du récipient à la Page 18.

NE JAMAIS IMMERGER LE BLOC-MOTEUR DANS L'EAU. Le boîtier se nettoie à l'aide d'un chiffon humide (après avoir été débranché). Le moteur est lubrifié en permanence et ne nécessite pas de graissage supplémentaire. **TOUTE RÉPARATION DOIT ÊTRE EFFECTUÉE DANS UN ATELIER DE RÉPARATION AGRÉÉ.**

FONCTIONNEMENT DU MÉLANGEUR OSTERIZER®

Le Mélangeur OSTERIZER® est un appareil multivitesse dont le régime de fonctionnement varie de lent à très rapide. Grâce à cette large gamme de vitesses, la préparation des aliments est à la fois simple, attrayante et rapide, le Mélangeur OSTERIZER® ne nécessitant généralement que quelques secondes de fonctionnement.

En outre, le Mélangeur OSTERIZER® présente deux modes de fonctionnement distincts:

1. CONTINU pour le mélange, la liquéfaction et le hachage fin.
2. CYCLE CONTRÔLÉ pour le hachage grossier d'aliments, comme les légumes, les noix ou le fromage. La fonction CYCLE CONTRÔLÉ présente plusieurs modes de commandes, qui entraînent tous un fonctionnement et un arrêt intermittent du moteur. Durant l'activation du cycle («On»), les aliments sont hachés et écartés des lames. Durant l'arrêt du cycle («Off»), les aliments sont repositionnés à proximité des lames pour uniformisation de la préparation.

REMARQUE: Un cycle correspond au fonctionnement du Mélangeur pendant 2 secondes environ puis au repositionnement des lames à l'arrêt complet.

À FAIRE / À ÉVITER

À Faire:

- Appareil à utiliser uniquement avec la tension et la fréquence de secteur indiquées sur la base du Mélangeur.
- Toujours faire fonctionner le Mélangeur sur une surface propre et sèche afin d'éviter que des corps étrangers ou de l'eau pénètrent dans le moteur.
- Sauf indications contraires dans la recette, placer d'abord les ingrédients liquides dans le récipient du Mélangeur.
- Découper tous les fruits et légumes fermes, les viandes, poissons et fruits de mer cuits en morceaux de 1,8 cm à 2,5 cm maximum. Découper les fromages en morceaux de 1,8 cm maximum.
- Placer les ingrédients à hacher dans le liquide à l'aide d'une spatule en caoutchouc, UNIQUEMENT lorsque le moteur est ARRÊTÉ.
- Mettre le couvercle fermement en place sur le récipient avant de démarrer le Mélangeur et poser la main sur le couvercle durant la mise en route et la marche du moteur.
- Pour sortir les trempettes et les pâtes épaisses, beurres d'arachides, mayonaises et autres préparations de consistance semblable, démonter le bloc-couteau et faire sortir le contenu par l'ouverture à la base du récipient directement dans le plat ou le récipient prévu.
- Verser les mélanges liquides ou semi-liquides, telles les pâtes à muffin ou à gâteau, par le haut du récipient du Mélangeur.
- Permettre aux légumes cuits et aux bouillons de refroidir avant de les verser dans le récipient du Mélangeur.
- Passer à la vitesse directement supérieure pour éviter de surcharger le moteur, s'il semble peiner lorsqu'il fonctionne sur l'une des vitesses les plus basses.
- Utiliser un Bocal Mini ou un récipient 5 tasses pour les écorces d'agrumes, les grains de café ou de céréales. Pour moulin des épices entières ou des fromages à pâte dure, utiliser un bocal de mélange en verre uniquement.

À Éviter:

- NE PAS s'attendre à ce que le Mélangeur remplace tous les appareils électroménagers de cuisine. Ce qu'il ne fait pas : réduire en purée de pommes de terre, battre les blancs d'œufs en neige ou les produits de garniture non laitiers, hacher la viande crue, travailler ou mélanger la pâte, extraire les jus de fruits ou de légumes.
- NE PAS travailler les préparations pendant des durées prolongées. Garder à l'esprit que le temps nécessaire au Mélangeur se compte généralement en secondes, pas en minutes. Il est préférable d'arrêter au bout de quelques secondes pour vérifier la consistance, plutôt que de faire tourner le Mélangeur trop longtemps car le résultat sera trop pâteux ou haché trop fin.
- NE PAS surcharger le moteur en plaçant des ingrédients trop lourds ou en trop grandes quantités. Si le moteur cale, l'arrêter immédiatement, débrancher le cordon de la prise de courant et sortir une partie du contenu du récipient avant de redémarrer l'appareil.
- NE PAS tenter d'enlever ou de remettre le récipient du Mélangeur en place sur le bloc-moteur avant que le moteur ne soit à l'arrêt complet. Ceci pourrait endommager des pièces du Mélangeur.
- NE PAS enlever le couvercle du récipient durant le fonctionnement du Mélangeur afin d'éviter la projection des aliments. Pour ajouter des ingrédients, enlever le bouchon de l'orifice de remplissage.
- NE PAS placer ou entreposer le bloc-couteau sur le bloc-moteur sans l'avoir au préalable correctement assemblé sur le récipient du Mélangeur. Une mise en route accidentelle du Mélangeur pourrait entraîner des blessures graves.
- NE PAS utiliser d'ustensiles, spatules ou autres, dans le récipient pendant la marche du moteur. Ils pourraient être heurtés par les lames en mouvement, briser le récipient et entraîner des blessures graves.
- NE PAS utiliser de récipients non recommandés par le fabricant avec le Mélangeur. De tels récipients pourraient se briser ou se desserrer durant le fonctionnement et entraîner des blessures graves.
- NE PAS utiliser de Bocal Mini pour moulin des épices entières (à l'exception des grains de poivre) ou des fromages à pâte dure, car les Bocaux Mini pourraient se briser et entraîner des dommages corporels.

RECETTES POUR VOTRE MÉLANGEUR

MOUSSE EXPRESSO

50 ml d'eau froide	15 ml de sucre
2 sachets de gélatine nature	2 ml de vanille
125 ml expresso	250 ml de crème fraîche
125 ml d'eau bouillante	2 jaunes d'œufs
250 ml de chocolat mi-sucré en morceaux	375 ml et demie de glaçons

Placer l'eau froide et la gélatine dans le récipient de votre Mélangeur OSTERIZER® et laisser reposer 2 minutes, puis ajouter l'expresso chaud et l'eau bouillante. Couvrir, libérer le capuchon de remplissage et se servir de la fonction d'impulsion PULSE jusqu'à ce que la gélatine soit dissoute. Mettre l'appareil en marche (position ON). Alors que le moteur tourne, ôter le capuchon de remplissage, ajouter les morceaux de chocolat, le sucre et l'extrait de vanille. Ajouter la crème, les jaunes d'œufs et la glace. Remettre en place le capuchon de remplissage et continuer l'opération jusqu'à ce que la mixture commence à épaissir. Mettre directement dans les coupes à servir. Laisser reposer 5 à 10 minutes avant de servir. Garnir avec de la crème fouettée sucrée et des copeaux de chocolat.

SOUPE DE CRÈME DE BROCOLI

250 ml d'eau	2 bouillon cubes au poulet
1 paquet de brocolis coupés et congelés	125 ml de farine tout usage
250 ml de demi-crème	500 ml de lait
Croûtons pour la garniture	250 ml de fromage coupé en cubes

Dans une grande casserole, cuire le brocoli dans 250 ml d'eau. Ne pas égoutter. Ajouter le lait, les cubes de fromage, le bouillon et la farine dans le récipient de votre Mélangeur OSTERIZER®. Couvrir et mettre en marche (position ON). Ajouter au brocoli le fromage. Ajouter la demi-crème. Cuire en remuant fréquemment à chaleur moyenne jusqu'à obtention de la température souhaitée et épaississement du mélange. Servir avec une garniture de croûtons.

Fait de 4 à 6 Portions

MAYONNAISE

1 œuf	une pincée de poivre de cayenne
2 ml de moutarde	30 ml de vinaigre blanc
2 ml de sucre	à l'estragon
250 ml d'huile pour salade	2 ml de sel

Mettre les œufs, l'assaisonnement, le vinaigre et 50 ml d'huile dans le récipient de votre Mélangeur OSTERIZER®. Couvrir et appuyer sur le bouton du mélange BLEND. Enlever immédiatement le capuchon de remplissage et verser régulièrement dans l'huile restante. Si nécessaire, ARRÊTER L'OPÉRATION DE MÉLANGE et se servir de la spatule pour ramener la mixture au niveau des lames; couvrir et relancer l'opération. Conserver couvert dans le réfrigérateur, jusqu'à un maximum d'une semaine.

Fait 300 ml

Variante: Pour une mayonnaise réduite en cholestérol, utiliser 2 blancs d'œuf à la place d'un œuf entier.

Suivre les mêmes instructions que ci-dessus.

HORS D'OEUVRE

TREMPETTE À L'OIGNON ÉPICÉE

75 ml d'eau
1 paquet de mélange pour soupe
à l'oignon déshydraté
15 ml de Raifort

250 ml de fromage blanc crémeux
4 lamelles de bacon, coupées en dés
revenues et bien égouttées

Mettre l'eau, le mélange de soupe à l'oignon, le raifort et le fromage blanc dans le récipient de votre Mélangeur OSTERIZER®. Couvrir et utiliser la fonction de mélange BLEND jusqu'à obtention d'une consistance onctueuse. S'en servir comme d'une base pour des sauces telle que la California Onion Dip (Trempelette Oignon à la Californienne), sur des pommes de terre vapeur ou dans des salades.

Fait 375 ml

BOISSONS

75 ml de concentré
de limonade surgelé

DAIQUIRI
3 mesures de rhum léger
5 glaçons

Mettre tous les ingrédients dans le récipient de votre Mélangeur OSTERIZER®. Couvrir et utiliser la fonction de broyage de la glace (ICE CRUSH) jusqu'à l'obtention d'un mélange onctueux. Arrêter le mixeur, ajouter de la crème glacée, couvrir et faire opérer un cycle avec la fonction de mélange (BLEND).

Fait Environ 2 Verres (Portions de 170 g)

Variante: Daiquiri Glacé

Ajouter une mesure supplémentaire de rhum, doubler la quantité de glace et continuer à mixer jusqu'à l'obtention d'un sorbet. Ne pas passer.

Fait Environ 4 Verres (Portions de 170 g)

LAITS FRAPPÉS ET MALTS

250 ml de lait
500 ml de glace à la vanille

aromatisant
poudre de malt, si souhaité

Mettre tous les ingrédients dans le récipient de votre Mélangeur OSTERIZER®. Couvrir et utiliser la fonction pour broyer la glace (ICE CRUSH) jusqu'à l'obtention d'un mélange onctueux.

Fait Environ 2 Verres (Portions de 277 g)

I AN DE GARANTIE LIMITÉE

Sunbeam Products, Inc. («Sunbeam») garantit que pour une période de UN an à compter de la date d'achat, ce produit ne présentera aucun vice mécanique ou électrique, matériel ou de fabrication. Sunbeam, selon son choix, réparera ou remplacera ce produit ou tout autre élément défectueux, durant la période de couverture de la garantie. Le remplacement consistera en un produit ou un élément nouveau ou remanufacturé. Si le produit n'est plus disponible, il sera remplacé par un produit d'une valeur comparable ou supérieure. Cela constitue votre garantie exclusive.

Cette garantie est valable pour l'acheteur original à partir de la date d'achat initiale et ne peut être transférée. Conserver le reçu d'achat original. Une preuve d'achat est requise pour obtenir une application de la garantie. Les revendeurs, centres de service ou magasins de revente Sunbeam, n'ont pas le droit de transformer, modifier ou changer de quelque façon les termes et les conditions de cette garantie.

La présente garantie ne couvre ni l'usure normale des pièces ni les dommages entraînés par l'un quelconque des cas suivants: l'utilisation inappropriée ou négligente du produit, son utilisation à une tension ou à un courant inadéquats, son utilisation contraire aux directives du mode d'emploi, ou son démontage, sa réparation, son remaniement, sa modification ou sa transformation par toute personne autre qu'un centre de service après-vente agréé de Sunbeam. De plus, la garantie ne couvre aucun des actes de Dieu comme incendie, inondation, ouragans et tornades.

Sunbeam n'acceptera aucune responsabilité de dommages conséquents ou accessoires découlant du manquement à quelque garantie explicite ou implicite sur ce produit. Sauf dans la mesure où l'empêchent les lois applicables, la durée de toute garantie implicite sur la qualité marchande ou le caractère utilisable de ce produit pour un but précis se limite à la durée de la garantie susmentionnée.

Pour Obtenir le Service de Garantie : Veuillez consulter l'insert de garantie correspondant au pays spécifique ou contacter votre distributeur agréé local.

NE PAS RETOURNER CE PRODUIT À SON EMPLACEMENT D'ACHAT

PRECAUCIONES IMPORTANTES

Cuando utilice aparatos eléctricos, debe seguir siempre ciertas medidas de seguridad básicas, incluyendo las siguientes:

LEA Y GUARDE TODAS LAS INSTRUCCIONES.

1. Para protegerse del peligro de descarga eléctrica, no coloque la base de la Licuadora en agua o en otro líquido.
2. Es necesario la supervisión cercana si utiliza el aparato cerca de niños o de personas incapacitadas.
3. Desenchufe el cordón de la toma de corriente cuando no esté utilizando el aparato, antes de poner o quitar piezas y antes de limpiarlo.
4. Evite el contacto con las partes en movimiento.
5. **NO OPERE** ningún aparato que tenga el cordón o el enchufe dañado, si no funciona correctamente, se ha dejado caer o está dañado de cualquier otra forma. Devuelva el aparato al Centro de Servicio Autorizado de Electrodomésticos Sunbeam más cercano para su revisión, reparación o ajuste eléctrico o mecánico.
6. El uso de aditamentos, incluyendo contenedores para enlatado y/o tarros ordinarios y partes del proceso de ensamblado no recomendados por SUNBEAM® u OSTER® pueden causar lesiones a las personas.
7. Mantenga las manos y utensilios fuera del vaso mientras está licuando, para evitar la posibilidad de lesiones personales severas y/o daño a la Licuadora. Si es necesario limpiar las paredes de la Licuadora, remover con una espátula, etc. apague la Licuadora y desenchúfela. Solamente utilice una espátula de goma.
8. Las cuchillas son muy filosas, tenga cuidado al manipularlas.
9. Para evitar lesiones, nunca coloque las cuchillas de la unidad en la base sin que el vaso esté debidamente colocado.
10. Ajuste con firmeza la parte inferior del vaso. Si las cuchillas en movimiento son expuestas accidentalmente, pueden causar daños.
11. Siempre opere la Licuadora con la tapa correctamente colocada.
12. Asegúrese de que el voltaje de la toma de corriente corresponde al voltaje de su aparato.
13. Siempre sostenga el vaso mientras funciona la Licuadora. Si el contenedor gira mientras el motor se encuentra encendido "On", apáguelo "Off" inmediatamente y apriete el vaso de la Licuadora en la parte inferior roscada del contenedor.
14. Cuando licúe líquidos calientes, retire la pieza central de la tapa. **NO LLENE** el recipiente por encima del nivel de 4 tazas. En modelos de 6 tazas, **NO LLENE** el recipiente por encima del nivel de 5 tazas. Siempre comience a licuar utilizando la velocidad mínima. Mantenga las manos y la piel lejos de la abertura a fin de evitar posibles quemaduras.
15. **NO UTILICE** el aparato en exteriores.
16. **NO PERMITA** que el cordón cuelgue de la mesa o del mostrador.
17. **NO PERMITA** que el cordón toque superficies calientes.
18. **NO DEJE** de atender la Licuadora mientras está funcionando.

19. Este artefacto eléctrico no está destinado para ser usado por personas (incluyendo niños) cuyas capacidades físicas, sensoriales o mentales estén disminuidas, o carezcan de experiencia y conocimiento, a menos que una persona responsable por su seguridad les haya supervisado o instruido en el uso de este electrodoméstico. Los niños deberán estar bajo supervisión para cerciorarse de que no jueguen con el artefacto eléctrico.

ESTA UNIDAD ESTA DISEÑADA SOLO PARA USO DOMESTICO.

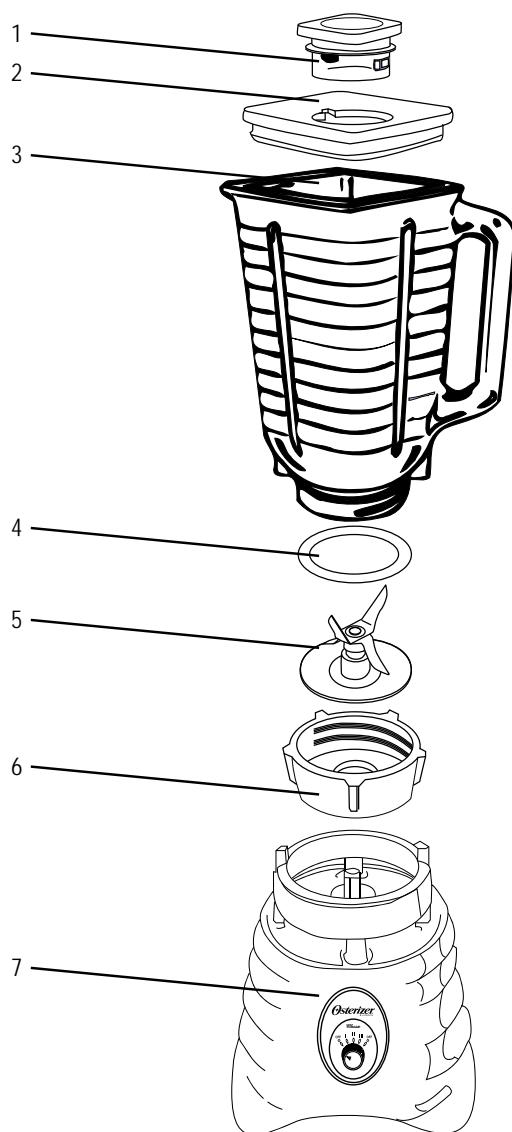
El rango máximo de potencia marcado en la unidad está basado según el aditamento que necesita más potencia. Otros aditamentos recomendados podrían necesitar menos potencia.

CONSERVE ESTAS INSTRUCCIONES

INSTRUCCIONES ESPECIALES DEL CABLE ELECTRICO

- Procure colocar la licuadora cerca de la fuente de alimentación eléctrica para reducir los riesgos asociados a los cables eléctricos (tales como enredos o tropiezos ocasionados por cables eléctricos largos).
- No tire, tuerza ni maltrate el cable eléctrico de ninguna forma.
- No enrolle el cable eléctrico alrededor de la base de la licuadora durante o después de usarla.
- No utilice una extensión con este artefacto.

DESCRIPCION DEL ARTEFACTO



1. Copa de Alimentación
2. Tapa de Vinilo
3. Vaso
4. Anillo de Plástico para Sellar

5. Cuchilla Picahielo
6. Roscada
7. Base

CONOCIENDO SU LICUADORA OSTERIZER®

TAPA

La tapa de su Licuadora OSTERIZER® consiste de dos partes, la copa de alimentación y la tapa de vinilo. La tapa es de sellado automático y está hecha de vinilo resistente a la absorción de olores y manchas. La copa de alimentación es removible para ser usada como una copa de medición y ofrece una abertura para agregar otros ingredientes.

VASO

El vaso para la Licuadora está graduado para facilitar la medición y está moldeado de material resistente al calor y al frío. La cómoda agarradera y el pico vertedor permiten fácilmente remover las mezclas líquidas, mientras las más espesas son más fáciles de remover a través del orificio inferior.

PROCESO DE ENSAMBLADO

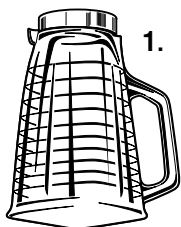
El proceso de ensamblado consiste de 3 partes: un anillo de plástico para sellar usado como colchón entre el vaso y el cuchilla, el cuchilla de acero inoxidable de gran calidad, un vaso con parte inferior roscada.

MOTOR Y BASE DEL MOTOR

El poderoso motor de varias velocidades es la parte principal del aparato y está diseñado sólo para esta unidad. Está completamente dentro de la base. El motor tiene un dispositivo de "flotación libre" para reducir el ruido y el desgaste. Esto permite que el poste cuadrado que sobresale de la base del motor se mueva ligeramente de lado a lado. El poderoso motor procesador de alimentos puede ser sobrecargado. Para evitar esto, siga de cerca estas instrucciones.

ENSAMBLANDO SU LICUADORA

PRECAUCIÓN: Siga estos importantes pasos para ensamblar, ajustar y montar el vaso de la Licuadora de una forma rápida y correcta. SI LA CUCHILLA ESTÁ EXPUESTA, PUEDE CAUSAR LESIONES.



1.



2.



3.

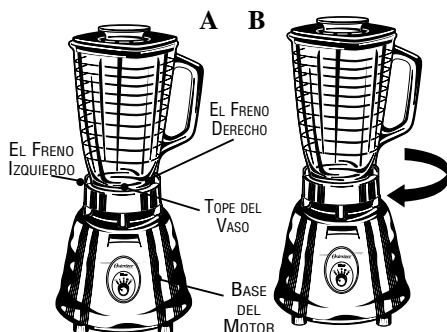


4.

1. Invierta el vaso para que la abertura pequeña quede hacia arriba.
2. Coloque el anillo para sellar sobre la abertura del vaso.

3. Invierta la cuchilla del cuchilla y coloque en la boca del vaso.
4. Apriete la parte inferior roscada al vaso.

AJUSTANDO EL VASO



A B

EL FRENO IZQUIERDO

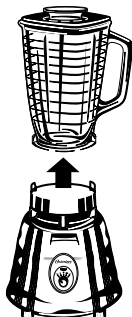
EL FRENO DERECHO

TOPE DEL VASO

BASE DEL MOTOR



C



D

- A. Para ajustar la parte inferior del vaso, coloque el vaso ensamblado con cuidado en el anillo de la base del motor con el asa y el tope del vaso enfrente del freno derecho.
- B. Usando el asa del vaso, gire hacia la izquierda hasta donde sea posible. Esto asegurará que el fondo del vaso esté correctamente ajustado. Remueva el vaso de la base del motor y colóquelo.
- C. Para operar la Licuadora, coloque el vaso ensamblado en el anillo de la base del motor con el tope del vaso contra el lado plano del freno de la base del motor. Si el tope del vaso no queda colocado contra el lado plano del freno derecho, remuévalo y colóquelo contra el lado plano del freno izquierdo. Asiente el vaso firmemente y opere.
- D. Para remover el vaso, levántelo en forma vertical. (Si no es fácilmente removido, mueva delicadamente de lado a lado y levante, no lo gire). Si el fondo del vaso no puede ser liberado con la mano, coloque el vaso ensamblado en el anillo de la base del motor con el asa enfrente del freno de lado izquierdo. Usando el asa, gire el vaso a la derecha hasta que la parte inferior del vaso se libere.

No intente colocar el vaso o removerlo de la base del motor mientras el motor está funcionando.

¡SIEMPRE SOSTENGA EL VASO CON UNA MANO MIENTRAS PONE LA LICUADORA EN FUNCIONAMIENTO!

CUIDADO Y LIMPIEZA DE SU LICUADORA OSTERIZER®

Las partes del vaso de la Licuadora son resistentes a la corrosión, higiénicas y fáciles de limpiar. Antes de usarlo por primera vez y después de cada utilización, separe las partes del vaso y limpie con agua tibia y jabonosa, después enjuague y seque bien. **NO LAVE NINGUNA DE LAS PARTES EN LAVADORA DE PLATOS.** Verifique periódicamente todas las partes antes de volver a ensamblar. Si la cuchilla está atorada o es difícil girarla, **NO USE LA LICUADORA.**

Revise cuidadosamente girando la cuchilla en sentido contrario a las manecillas del reloj (los bordes contrarios son filosos). La cuchilla debe de girar libremente.

Si el vaso está roto o astillado **NO USE LA Licuadora.** El usarlo podría causar que el vaso se rompiera. Use solamente partes de repuesto recomendadas por OSTER® las cuales están disponibles en un Centro de Servicio Autorizado.

EL USO DE PARTES DAÑADAS O NO RECOMENDADAS PUEDE CAUSAR LESIONES PERSONALES Y/O DAÑOS SEVEROS A LA LICUADORA. Lea la Página 32 para la información de ensamblado correcto del vaso y las instrucciones de uso.

NUNCA SUMERJA LA BASE DEL MOTOR EN AGUA. La base puede ser limpiada con un trapo húmedo (desconecte primero) El motor está permanentemente lubricado y no requiere otra lubricación adicional. **CUALQUIER SERVICIO DEBE DE SER REALIZADO POR UN CENTRO DE SERVICIO AUTORIZADO.**

CÓMO FUNCIONA SU LICUADORA OSTERIZER®

Su Licuadora OSTERIZER® es un aparato electrodoméstico de múltiples velocidades, que opera en un amplio rango de velocidades de la más lenta hasta la más rápida. Este rango de velocidades hace la preparación de los alimentos fácil, interesante y rápida.

Además, su Licuadora OSTERIZER® tiene dos distintos métodos de operación:

1. CONTINUO para licuar, mezclar y picar finamente.
2. CICLO DE CONTROL DEL LICUADO, usado para moler piezas picadas de alimentos, tales como vegetales picados, nueces o quesos. Hay varias maneras diferentes de operar el dispositivo de CICLO DE CONTROL DEL LICUADO, pero todas se relacionan con accionar intermitentemente el motor de encendido "ON" a apagado "OFF." Durante la porción "On" del ciclo, los alimentos son molidos y removidos fuera del camino de las cuchillas. Durante la posición "Off" del ciclo, los alimentos regresan sobre las cuchillas para hacer el procesamiento más uniforme.

NOTA: Un ciclo consiste en operar la Licuadora por aproximadamente 2 segundos y después permitir un alto total de la cuchilla.

QUE HACER Y QUE NO HACER

Que Hacer:

- Use **sólo** la línea de voltaje y frecuencia que se especifica en la parte inferior de la Licuadora.
- Siempre opere la Licuadora en una superficie limpia y seca para prevenir que el aire pueda llevar material extraño o agua en el motor.
- Ponga primero las porciones líquidas de las recetas en el vaso de la Licuadora salvo que las instrucciones de la receta indiquen lo contrario.
- Corte todas las frutas y vegetales, carnes, pescados y mariscos en pedazos no mayores de 1.8 cm (3/4 pulgada) a 2.5 cm (1 pulgada). Corte todos los tipos de quesos en pedazos no mayores de 1.8 cm (3/4 pulgada).
- Use una espátula de goma para empujar los ingredientes para que sean licuados junto con la porción líquida, **SÓLO** cuando el motor está **APAGADO**.
- Coloque la tapa firmemente en el vaso de la Licuadora antes de empezar, y ponga la mano sobre la tapa del vaso cuando encienda el motor.
- Remueva salsas espesas, crema de cacahuete, mayonesa y productos de consistencia similar desensamblando la parte inferior del vaso y empujando la mezcla hacia abajo, sirva directamente en platos o en recipientes para almacenar.
- Vierta la mezcla de la Licuadora si su consistencia es líquida o semilíquida como las de los panqués o pasteles.
- Permita que los vegetales cocidos y los caldos se enfríen antes de vaciar en el vaso para procesar.
- Cambie a una velocidad más alta si el motor parece esforzarse cuando opera en una velocidad más baja para evitar que se sobrecargue.
- Use un Vaso Mini o de 5 tazas para procesar limadura de cítricos, granos de café o granos de cereal. Sólo use vasos de vidrio para procesar especias enteras o quesos duros.

Que No Hacer:

- **NO** espere que su Licuadora reemplace todos sus aparatos de cocina. No molerá papas, batirá claras de huevo, ni hará sustitutos de cubiertas de pastel, molerá carne cruda, amasará, ni extraerá jugos de frutas y vegetales.
- **NO** procese las mezclas por mucho tiempo. Recuerde que la Licuadora realiza su trabajo en segundos, no minutos. Es mejor parar y verificar la consistencia después de algunos segundos, que licuar de más y tener una mezcla demasiado fina.
- **NO** sobrecargue el motor con peso extra o cosas muy grandes. Si el motor se traba, apáguelo inmediatamente, desconecte el cordón de la toma de corriente y retire una porción de la cantidad a mezclar antes de empezar otra vez.
- **NO** intente remover el vaso de la base del motor o reemplazarlo hasta que el motor haya llegado a un alto total. Las partes de la Licuadora se pueden dañar.
- **NO** quite la tapa del vaso mientras procesa, ya que los alimentos pueden salpicar. Use el tapón alimentador para agregar otros ingredientes.
- **NO** coloque las cuchillas ensambladas sobre la base del motor sin antes ensamblarlas en el vaso de la Licuadora. Lesiones personales severas pueden ocurrir si se enciende el motor.
- **NO** use ningún utensilio, incluyendo espátulas en el vaso mientras el motor está funcionando. Pueden caer en las cuchillas en movimiento, romper el vaso y causar lesiones severas.
- **NO** use **NINGUN** vaso no recomendado por el fabricante para procesar alimentos. Otros vasos pueden romperse o aflojarse durante el funcionamiento y pueden provocar lesiones.
- **NO** use los Vasos Mini para procesar especias enteras (excepto grano de pimienta) o quesos duros, ya que pueden romper el Vaso Mini y causar lesiones.

RECETAS PARA SU LICUADORA

MOUSSE DE CAFÉ EXPRESO

50 ml de agua fría
2 sobres de gelatina sin sabor
125 ml de expreso
125 ml de agua hirviendo
250 ml de trozos de chocolate
semi-amargo

15 ml de azúcar
2 ml de extracto de vainilla
250 ml de crema espesa
2 yemas de huevo
375 ml de cubos de hielo

Vierta el agua fría y la gelatina en el vaso de su Licuadora OSTERIZER® y deje reposar durante 2 minutos; después agregue el café expreso y el agua hirviendo. Tape, ventile la copa de alimentación y procese usando el botón de pulso PULSE hasta que la gelatina se haya disuelto. Cambie al botón de encendido ON. Con el motor en funcionamiento, quite la copa de alimentación, agregue los trozos de chocolate, el azúcar y el extracto de vainilla. Continúe procesando hasta que la mezcla tenga una consistencia suave. Agregue la crema, las yemas de huevo y el hielo, coloque la copa de alimentación nuevamente en su lugar y continúe procesando hasta que la mezcla espese. Vierta en platos para servir. Permita que la mezcla repose de 5 a 10 minutos antes de servir. Decore con crema batida endulzada y raspadura de chocolate.

CREMA DE BRÓCULI

250 ml de agua
280 g de brócoli
congelado en trozos
500 ml de leche
500 ml de queso procesado,
cortado en cuadros

2 cubos de consomé de pollo
125 ml de harina
250 ml de media crema
croutones de pan para el decorado

En una sartén grande, cocine el brócoli con 250 ml de agua. (NO DRENE) Vierta la leche, los cuadros de queso, los cubos de consomé y el harina en el vaso de su Licuadora OSTERIZER®. Tape y procese usando el botón de encendido ON. Agregue la mezcla del queso al brócoli. Agregue la media crema. Cocine, removiendo frecuentemente sobre un fuego medio hasta que la mezcla esté caliente y tome una consistencia espesa. Sirva decorando con croutones de pan.

Rinde: 4 - 6 Porciones

MAYONESA

1 huevo
2 ml de mostaza en polvo
2 ml de azúcar
2 ml de sal

una pizca de pimienta de Cayena
30 ml de vinagre blanco de estragón
250 ml de aceite de ensalada

Ponga los huevos, los sazónadores, el vinagre y 50 ml de aceite en el vaso de su Licuadora OSTERIZER®. Cubra y procese a velocidad media alta MED-HIGH. Inmediatamente, quite la copa medidora y vierta poco a poco el aceite sobrante, éste debe de tener un flujo constante. Si es necesario, DETENGA LA Licuadora, use una espátula de plástico para mantener la mezcla alrededor de las aspas. Tape y continúe procesando. Almacene la mayonesa dentro de un contenedor y tápelo, colóquelo dentro del refrigerador. La mayonesa puede guardarse en el refrigerador hasta por 1 semana.

Rinde: Aproximadamente 300 ml

Variación: Para una mayonesa baja en colesterol, use 2 claras de huevos en lugar de 1 huevo entero. Procese como se indica anteriormente.

APERITIVOS

DIP DE CEBOLLA

75 ml de agua
1 paquete de mezcla de sopa
de cebolla en polvo
15 ml de rábano
picante (horseradish)

250 ml de queso cottage cremoso
4 tiras de tocino, fritas
picadas y sin aceite

Coloque el agua, la mezcla de sopa de cebolla, el rábano picante y el queso cottage en el vaso de su Licuadora OSTERIZER®. Tape y procese usando el botón de mezclar BLEND hasta que tenga una consistencia suave. Uso como base para dips fríos como el Dip de Cebolla estilo California, con papas al horno o en ensaladas.

Rinde: 375 ml

BEBIDAS

DAIQUIRÍ

75 ml de concentrado
de limonada congelado
3 medidas de ron ligero

5 cubos de hielo

Vierta todos los ingredientes en el vaso de su Licuadora OSTERIZER®. Tape y procese usando el botón de licuar (triturar hielo) LIQUEFY (ICE CRUSH), hasta que la mezcla tenga una consistencia suave. Pare la Licuadora, agregue el helado, cubra y procese durante 1 ciclo usando el botón de mezclar BLEND.

Rinde: 2 Porciones de 170 g

Variación: Daiquirí Congelado

Agregue una medida más de ron, doble la cantidad de hielo y continúe mezclando hasta que tenga consistencia de sorbete. No filtre.

Rinde: 4 Porciones de 170 g

BATIDOS DE LECHE Y MALTEADAS

250 ml de leche
500 ml de helado de vainilla

saborizante
malta en polvo, si lo desea

Vierta todos los ingredientes en el vaso de su Licuadora OSTERIZER®. Tape y procese usando el botón de licuar (triturar hielo) LIQUEFY (ICE CRUSH), hasta que tenga una consistencia suave.

Rinde: 2 Porciones de 8 oz. (225 g)

GARANTÍA LIMITADA DE 1 AÑO

Sunbeam Products Inc. ("Sunbeam") garantiza que, por un período de UN año a partir de la fecha de compra, este producto estará libre de defectos en el material y en su fabricación. Bajo la opinión de Sunbeam, reparará o repondrá este producto o cualquier componente del mismo si se encuentra defectuoso durante el periodo de garantía. La reposición se hará con un producto o un componente nuevo o refabricado. Si el producto ya no está disponible, la reposición se hará con un producto similar de igual o mayor valor. Esta es su garantía exclusiva. Esta garantía es válida para el comprador original a partir de la fecha de compra inicial y no es transferible. Guarde el recibo de compra original. La prueba de compra es requerida para obtener los servicios de garantía. Los vendedores de productos Sunbeam, los centros de servicio o tiendas que vendan productos Sunbeam no tienen el derecho de alterar, modificar o realizar ningún otro cambio a los términos y condiciones de esta garantía.

Esta garantía no cubre el desgaste por uso normal o daños de partes como resultado de lo siguiente: uso negligente o mala utilización del producto, uso con una corriente eléctrica o un voltaje inadecuado, uso contrario a las instrucciones de operación, desensambles, reparaciones o alteraciones que no sean hechas por Sunbeam o por un Centro de Servicio Autorizado. Además, la garantía no cubre Actos de Dios tales como incendios, inundaciones, huracanes y tornados.

Sunbeam no se hace responsable por ningún daño emergente o incidental causado por el rompimiento de cualquier garantía expresa o implícita. Excepto al alcance prohibido por la ley aplicable, cualquier garantía implícita de comercialización o arreglo para un propósito particular, está limitada en duración de la garantía antes mencionada.

Cómo Obtener el Servicio de Garantía: Por favor consulte el inserto de la garantía correspondiente al país o póngase en contacto con su distribuidor autorizado local.

NO REGRESE ESTE PRODUCTO AL LUGAR DE COMPRA

PRECAUÇÕES IMPORTANTES

Sempre que utilizar eletrodomésticos, você deve tomar algumas medidas básicas de segurança, como as que seguem:

LEIA E GUARDE TODAS AS INSTRUÇÕES.

1. Para evitar risco de choque elétrico, não deixe o fio, o plugue ou o aparelho entrar em contato com água ou qualquer outro líquido.
2. É necessário manter uma supervisão muito próxima quando este aparelho for usado perto de crianças ou pessoas deficientes.
3. Desconecte o aparelho sempre que ele não estiver em uso, antes de colocar ou retirar peças e antes de limpá-lo.
4. Evite entrar em contato com as peças em movimento.
5. **NÃO USE** nenhum eletrodoméstico que tenha o cabo ou a tomada danificada, que tenha apresentado algum defeito ou tenha caído no chão. Neste caso, leve o aparelho ao Serviço Autorizado Sunbeam para revisão ou conserto.
6. O uso de acessórios, incluindo jarras comuns ou de conservas, e peças não recomendadas pela SUNBEAM® ou pela OSTER® pode causar ferimentos.
7. Enquanto o Liquidificador estiver em funcionamento, não coloque as mãos e utensílios dentro da jarra do Liquidificador, pois isto pode causar acidentes pessoais e/ou danificar o aparelho. Se for necessário raspar resíduos, desligue o aparelho, desconecte-o e use somente espátulas de borracha.
8. As lâminas são afiadas. Use com cuidado.
9. Nunca coloque as lâminas na base sem que a jarra do Liquidificador esteja bem encaixada.
10. Encaixe a base da jarra firmemente. Acidentes podem ocorrer caso as lâminas em movimento sejam expostas.
11. Sempre use o Liquidificador tampado.
12. Certifique-se de que a voltagem na tomada é a mesma de sua aparelha.
13. Sempre segure a jarra enquanto o aparelho estiver em funcionamento. Caso a jarra vire enquanto o motor estiver em funcionamento, desligue o aparelho e encaixe a base da jarra.
14. Ao processar líquidos quentes, retire a sobretampa. Ao encher o Liquidificador, **NÃO ULTRAPASSE** o nível de quatro xícaras. No modelo de seis xícaras, **NÃO ULTRAPASSE** o nível de cinco xícaras. Sempre comece o processamento na velocidade mais baixa. Enquanto em funcionamento, mantenha as mãos e qualquer parte do corpo exposta fora do alcance do aparelho para prevenir o risco de queimaduras.
15. **NÃO USE** o aparelho ao ar livre.
16. **NÃO DEIXE** o fio pendurado para fora de mesa ou balcão.
17. **NÃO DEIXE** o fio em contato com superfícies quentes.

18. **NÃO DEIXE** o seu Liquidificador funcionando sem uma pessoa por perto.

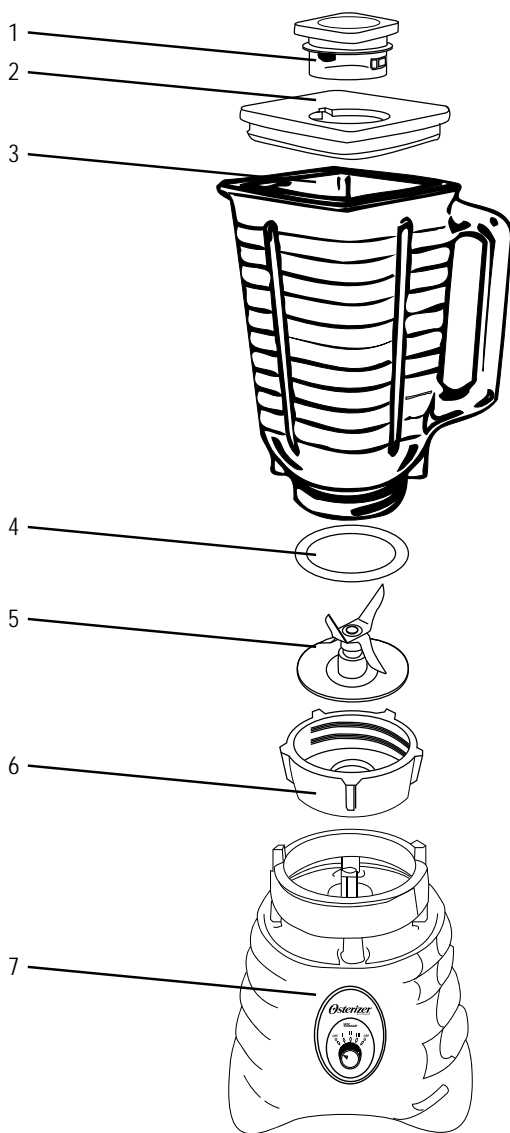
19. Este aparelho elétrico não está destinado a ser usado por pessoas (incluindo crianças) cujas capacidades físicas, sensoriais ou mentais estejam reduzidas ou careçam de experiência e conhecimento necessários para utilizá-lo, a menos que uma pessoa responsável por sua segurança tenha supervisionado ou instruído quanto ao uso deste eletrodoméstico. As crianças deverão estar sob supervisão para garantir que **NÃO** brinquem com o aparelho elétrico.

GUARDE ESTAS INSTRUÇÕES

INSTRUÇÕES ESPECIAIS DO FIO ELÉTRICO

- Procure colocar o liquidificador próximo a tomada elétrica para reduzir riscos associados ao fio elétrico (como tropeços que podem ocorrer com fios longos).
- Não puxe, nem torça o fio elétrico de nenhuma maneira.
- Não enrole o fio elétrico ao redor da base do liquidificador durante ou após usá-lo.
- Não use um fio de extensão com este aparelho.

DESCRIÇÃO DO APARELHO



1. Sobretampa
2. Tampa de Vinil
3. Jarra
4. Anel de Vedação

5. Lâmina
6. Base de Jarra com Ranhuras
7. Base

CONCEITOS BÁSICOS DO SEU LIQUIDIFICADOR OSTERIZER®

TAMPA

A tampa do seu Liquidificador OSTERIZER® contém duas peças, a sobretampa e a tampa de vinil. A tampa é auto vedante e é feita de vinil resistente a absorção de cheiros e manchas. A sobretampa é removível, pode ser aberta para adicionar alimentos ou outros ingredientes e pode ser usada também como medidor.

JARRA

A jarra do Liquidificador é graduada com medidas e é feita de um material resistente ao calor e ao frio. A alça e o bico facilitam a transferência das misturas líquidas, enquanto misturas mais espessas são removidas mais facilmente pela parte inferior da jarra.

MONTAGEM

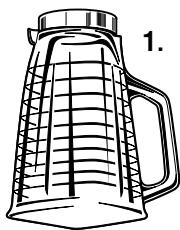
A montagem é composta por três peças: um anel de vedação usado entre a jarra e a lâmina; uma lâmina feita de aço de alta qualidade e uma base de jarra com ranhuras.

MOTOR E BASE

O potente motor com várias velocidades é a parte mais importante do seu aparelho e foi projetado só para ele. O motor está completamente envolvido pela base. Usa um mecanismo "de flutuação livre" que reduz o ruído e o desgaste. Isto permite que o pino quadrado saliente da base se mova um pouco de um lado para o outro. Mesmo potente, o motor para processamento de alimentos pode ser sobrecarregado. Para evitar esta possibilidade, siga atentamente as instruções contidas neste manual.

MONTANDO O SEU LIQUIDIFICADOR

CUIDADO: Siga as instruções para montar e apertar a jarra rápida e corretamente. ACIDENTES PODEM OCORRER CASO AS LÂMINAS EM MOVIMENTO SEJAM EXPOSTAS.



1.



2.



3.

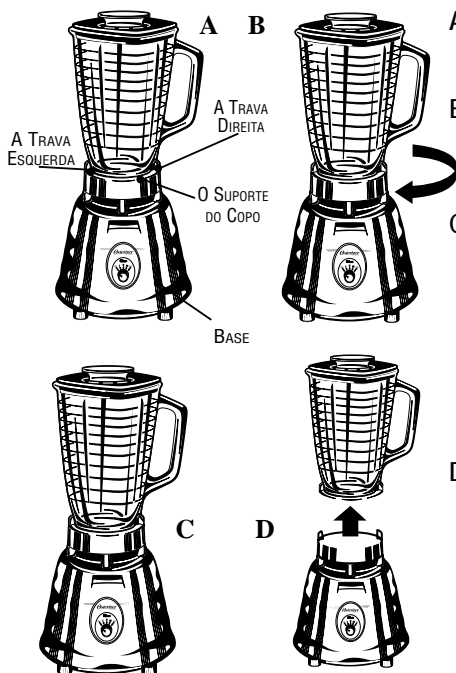


4.

1. Vire a jarra de cabeça para baixo para que a pequena abertura esteja na parte superior.
2. Coloque o anel de vedação na abertura da jarra.

3. Vire o suporte das lâminas de cabeça para baixo e coloque-o na boca inferior da jarra.
4. Encaixe a base da jarra nela.

ENCAIXANDO A JARRA



- A. Para encaixar a base da jarra, coloque-a firmemente encaixada na base do motor com a alça e o suporte alinhado à trava direita.
- B. Utilizando a alça da jarra, vire-a para a esquerda o máximo possível. Isto garante que a base da jarra está presa com firmeza. Remova a jarra da base do motor e monte-a.
- C. Para operar o Liquidificador, coloque a jarra montada no anel da base do motor com o suporte da jarra contra a parte lisa do motor. Se o suporte da jarra não for colocado contra a parte lisa da trava direita, remova a montagem da jarra e recoloc-o contra a parte lisa da trava esquerda. Encaixe a jarra com firmeza e coloque o aparelho em funcionamento.
- D. Para retirar a jarra, levante-a diretamente para cima. Se não sair facilmente, sacuda gentilmente a jarra sem torcê-la e levante-a diretamente para cima. Se você não conseguir desatarraxar a base da jarra com as mãos, coloque a jarra no anel da base do motor com a alça alinhada à trava esquerda. Usando a alça, vire a jarra para a direita até que a base desatarraxe.

Não retire ou coloque a jarra enquanto o motor estiver em funcionamento.

SEGURE A JARRA DO LIQUIDIFICADOR COM UMA MÃO DURANTE TODO O TEMPO DE OPERAÇÃO!

CUIDADOS E LIMPEZA DO SEU LIQUIDIFICADOR OSTERIZER®

As peças da jarra do seu Liquidificador são resistentes à corrosão, higiênicas e fáceis de limpar. Desmonte as peças da jarra do seu Liquidificador e lave-as com água morna e detergente, enxágüe e seque bem. Faça isso antes de usar o seu aparelho pela primeira vez e depois de todas as vezes que for usado. **NÃO LAVE NENHUMA DAS PEÇAS EM NENHUMA MÁQUINA DE LAVAR LOUÇAS.** Verifique periodicamente todas as peças antes de montá-las. Se as lâminas estiverem presas ou encontrando dificuldade para girar, **NÃO USE O LIQUIDIFICADOR.** Verifique cuidadosamente as lâminas girando-as no sentido anti-horário (lados opostos são afiados). As lâminas deverão girar livremente.

Se o vidro da jarra estiver rachado ou quebrado, **NÃO USE O LIQUIDIFICADOR.** O uso do aparelho pode resultar na quebra da jarra durante o funcionamento. Use somente peças de reposição Osterizer disponíveis no Serviço Autorizado.

O USO DE PEÇAS DANIFICADAS OU NÃO RECOMENDADAS PODE RESULTAR EM ACIDENTES PESSOAIS E/OU DANOS AO LIQUIDIFICADOR. Veja Página 45 para obter instruções corretas de montagem da jarra. **NUNCA COLOQUE A BASE DO MOTOR EM ÁGUA.** A parte exterior do aparelho pode ser limpa com um pano úmido (desligue antes o fio elétrico da tomada). O motor é permanentemente lubrificado e não requer nenhuma lubrificação adicional. **QUALQUER TIPO DE CONSERTO DEVE SER FEITO POR UM SERVIÇO AUTORIZADO.**

COMO FUNCIONA SEU LIQUIDIFICADOR OSTERIZER®

Seu Liquidificador OSTERIZER® é um eletrodoméstico que opera numa faixa ampla de velocidades, que torna o preparo dos alimentos fácil, interessante e rápido.

Além disso, seu Liquidificador OSTERIZER® opera em dois modos distintos:

1. CICLO CONTÍNUO para misturar, liquidificar e picar fino.
2. CICLO CONTROLADO, usado para picar pedaços de alimento, como: pedaços de vegetais, nozes ou queijos. Existem diversas maneiras de operar o CICLO CONTROLADO, mas todas envolvem ligar e desligar o motor intermitentemente. Ligado, o alimento é picado e arremessado para longe das lâminas. Desligado, o alimento é distribuído ao redor das lâminas para que o processamento seja mais uniforme.

NOTA: Um ciclo consiste em operar as lâminas por dois segundos e depois deixá-las parar.

PROCEDIMENTOS CORRETOS E INCORRETOS

Corretos:

- Use somente voltagem e frequência especificada na parte inferior do aparelho.
- Utilize sempre o aparelho em um espaço limpo e seco para prevenir sujeira e água entrem dentro do motor.
- Coloque os líquidos das receitas no copo do Liquidificador antes dos sólidos a não ser que a receita especifique o contrário.
- Corte todas as frutas, vegetais, cozidos, peixes e outros alimentos rígidos em pedaços não maiores que 1.8 cm (3/4 polegada) a 2.5 cm (1 polegada). Corte todos os tipos de queijos em pedaços não maiores que 1.8 cm (3/4 polegada).
- Utilize espátulas de borracha para empurrar os ingredientes sólidos a serem fatiados dentro da porção líquida da receita SOMENTE quando o motor estiver DESLIGADO.
- Coloque a tampa firme no copo antes de usar o aparelho e segure a tampa com sua mão quando estiver começando e quando este tiver em funcionamento.
- Retire alimentos consistentes como maionese, manteiga, molhos e patês removendo o suporte das lâminas e retirando a mistura pela parte inferior do copo.
- Quando a mistura for de consistência líquida ou semi-líquida como massa de bolo verta do copo do aparelho.
- Deixe que vegetais cozidos e caldos esfriem antes de colocá los dentro do copo do aparelho.
- Mude a velocidade do motor para uma mais alta quando sentir que o motor está sendo forçado em uma velocidade mais baixa assim você evitará que o motor fique sobrecarregado.
- Use a Jarra Mini ou um copo de 5 xícaras do Liquidificador para o processamento de cítricos, grãos de café ou cereais. Use somente copos de vidro para processar condimentos e queijos duros.

Incorretos:

- NÃO espere que o seu Liquidificador substitua todos os eletrodomésticos. O seu Liquidificador não esmaga a batata, não bate claras em neve ou faz cremes, não moe carne crua, não mistura massas espessas ou extrai sucos de frutas e vegetais.
- NÃO processe os alimentos por tempo muito longo. Lembre-se de que o Liquidificador processa em poucos segundos.
- NÃO sobrecarregue o motor com excesso de peso e tamanho dos alimentos. Caso o motor pare de repente desligue imediatamente o fio da tomada, retire parte do alimento e recomece o processo.
- NÃO tente retirar, ou colocar o copo da base do motor enquanto o aparelho não estiver totalmente parado. As partes do aparelho podem ficar danificadas.
- NÃO retire a tampa do copo enquanto o aparelho estiver em funcionamento, pois que o alimento pode respingar. Use o copo da tampa para adicionar ingredientes.
- NÃO guarde o suporte da lâmina na base do motor sem montar corretamente ao copo. Acidentes perigosos podem acontecer caso o aparelho seja ligado acidentalmente.
- NÃO utilize nenhum utensílio nem espátulas no copo enquanto o motor estiver em funcionamento. Podem agarrar-se nas lâminas em movimento, quebrar o copo e causar um acidente perigoso.
- NÃO use NENHUM copo não recomendado pelo fabricante para processar os alimentos. Outros copos podem quebrar ou afrouxar durante o processamento e causar um acidente perigoso.
- NÃO use as Jarras Mini para o processamento de condimentos (exceto para pimentas) ou queijos duros pois estes podem quebrar as jarras Jarras Mini e causar um acidente perigoso.

RECEITAS PARA O SEU LIQUIDIFICADOR

ESPRESSO MOUSSE

50 ml de água fria
2 envelopes de gelatina sem sabor
125 ml de espresso preparado
125 ml de água fervente
250 ml chocolate meio
amargo picado

15 ml de açúcar
2 ml de extrato de baunilha
250 ml de creme de leite
2 gemas de ovo
375 ml de cubos de gelo
Chantilly e raspas de chocolate

Coloque a água fria e a gelatina na jarra de seu Liquidificador OSTERIZER® e deixe descansar por 2 minutos; em seguida, adicione o espresso quente e a água fervendo. Tampe, levante um pouco a sobretampa para sair o ar, feche novamente e processe com a função PULSAR até que a gelatina esteja dissolvida. Ligue a unidade. Com o motor funcionando, remova a sobretampa, adicione o chocolate picado, o açúcar e o extrato de baunilha. Continue processando até que a mistura fique suave. Adicione o creme de leite, as gemas de ovo e o gelo, recoloque a sobretampa e continue processando até que a mistura comece a ficar espessa. Despeje rapidamente em recipientes para servir. Deixe descansar por 5 a 10 minutos antes de servir. Decore com chantilly e raspas de chocolate.

SOPA CREME DE BRÓCOLIS

250 ml de água
280 g de brócolis
picados congelados ou frescos
250 ml de creme de leite fresco
500 ml de queijo prato ou
cheddar, em cubinhos

2 cubos de caldo de galinha
125 ml de farinha de trigo
500 ml de leite
croutons

Em uma panela grande, cozinhe os brócolis em 250 ml de água. (Depois de cozidos os brócolis, guarde o caldo). Acrescente o leite, o queijo em cubos, o caldo de galinha e a farinha na jarra do Liquidificador OSTERIZER®. Tampe e bata os ingredientes. Adicione a mistura de queijo aos brócolis. Misture o creme de leite fresco. Cozinhe, mexendo freqüentemente, em fogo médio até que es quente e que a mistura engrosse. Sirva a sopa decorada com croutons.

Rendimento: 4 - 6 Porções

MAIONESE

1 ovo
2 ml de sal
2 ml de mostarda em pó
2 ml de açúcar

pitada de pimenta malagueta
30 ml de vinagre branco com estragão
250 ml de azeite

Coloque o ovo, a pimenta, os temperos, o vinagre e o azeite na jarra do Liquidificador OSTERIZER®. Tampe e bata os ingredientes em velocidade MED/ALTA. Retire a sobretampa imediatamente e despeje o restante do azeite em um fluxo contínuo. Se necessário, pare o Liquidificador e use a espátula para manter a mistura ao redor das facas. Tampe e continue batendo. Guarde tampado na geladeira por 1 semana no máximo.

Rendimento: 300 ml

Variação: Para maionese com baixo colesterol, use 2 claras de ovo em lugar de 1 ovo inteiro. Processe da mesma forma.

APERITIVOS

PATÊ FRIO DE CEBOLA

75 ml de água
1 pacote de sopa de cebola
4 tiras de bacon fritas,
picadas e bem secas

250 ml queijo cottage
cremoso (ou ricota)
15 ml de rábano-picante

Coloque água, a sopa de cebola, o rábano-picante e o queijo cottage na jarra do seu Liquidificador OSTERIZER®. Tampe e processe na função COMBINAR (BLEND) até que a mistura esteja cremosa. Use como base para patês gelados ou coloque como recheio em batatas assadas ou em saladas.

Rendimento: 375 ml

BEBIDAS

DAIQUIRI

75 ml de suco de limão concentrado
3 doses de rum

5 cubos de gelo

Coloque todos os ingredientes na jarra do seu Liquidificador OSTERIZER®. Tampe e processe na função LIQUEFAZER (TRITURAR GELO) até que esteja cremoso. Pare o processamento, adicione sorvete, tampe e processe por 1 ciclo na função COMBINAR.

Rendimento: 2 Porções de 170 g

Variação: Daiquiri congelado

Adicione mais uma dose de rum, coloque o dobro de gelo e continue a processar até uma consistência de gelo moído. Não coe.

Rendimento: 4 Porções de 170 g

MILK SHAKES E MALTES

250 ml de leite puro
ou com sabor
500 ml de sorvete de baunilha

Malte em pó, se quiser

Coloque todos os ingredientes na jarra do Liquidificador OSTERIZER®. Tampe e processe na função LIQUEFAZER (TRITURAR GELO) até estar cremoso.

Rendimento: 2 Porções de 225 g

GARANTIA LIMITADA DE 1 ANO

Sunbeam Products, Inc. (“Sunbeam”) garante que, por um período de UM ano a partir da data de compra, este produto ficará livre de defeitos materiais e de mão-de-obra. A seu critério, a Sunbeam reparará ou substituirá este produto ou qualquer componente do produto que possa apresentar defeitos durante o período de garantia. A substituição será feita com um novo produto ou componente novo e recondicionado. Se o produto não estiver mais disponível, a substituição poderá ser feita com um produto semelhante de igual ou maior valor. Esta é a sua garantia exclusiva.

Esta garantia é válida para o comprador original em varejo a partir da data de compra de varejo inicial, e não poderá ser transferida. Guarde o recibo original de venda. Para obter serviços de garantia, é necessário ter um comprovante de compra. Os distribuidores, postos de assistência técnica ou lojas de varejo da Sunbeam que vendem os produtos da Sunbeam não têm o direito de alterar, modificar ou mudar de qualquer maneira os termos e condições desta garantia.

Esta garantia não cobre o desgaste normal de peças ou danos resultantes de qualquer dos seguintes casos: uso negligente ou errôneo do produto, uso de tensão ou corrente inadequadas, uso contrário às instruções operacionais, desmonte, conserto ou alterações efetuadas por outrem que não a Sunbeam ou posto de assistência técnica autorizada. Além disso, a garantia não cobre casos de força maior, tais como incêndios, enchentes, furacões e tornados.

Sunbeam não se responsabilizará por quaisquer danos emergentes ou indiretos causados pela violação de qualquer garantia expressa ou implícita. Exceto na medida proibida pelas leis aplicáveis, quaisquer garantias implícitas de comerciabilidade ou adequação a um fim específico limitam-se à duração expressa pela garantia acima.

Como Obter Serviço Autorizado na Garantia: Consulte as condições da garantia específica do país ou entre em contato com o seu representante local.

NÃO DEVOLVA ESTE PRODUTO AO LOCAL ONDE ELE FOI COMPRADO

PARA MÉXICO ÚNICAMENTE – FOR MEXICO ONLY

LICUADORA OSTERIZER®

IMPORTADOR: SUNBEAM MEXICANA, S.A. de C.V. AVENIDA JUÁREZ 40-201
EX HACIENDA DE SANTA MÓNICA TLALNEPANTLA, ESTADO DE MÉXICO CP 54050
TELÉFONO: 5-366-0800 FAX: 5-366-0810 R.F.C. SME 570928G90

CONTENIDO: 1 PIEZA

CARACTERÍSTICAS ELÉCTRICAS

MODELO	VEL.	TIPO DE CONTROL	Hz	V ~	W	PAIS DE ORIGEN	PAIS DE PROCEDENCIA
465-42	3	Rotatorio	60	127	400	México	México/E.U.A.
465-43	3	Rotatorio	60	127	400	México	México/E.U.A.
4655-013	3	Rotatorio	60	127	600	México	México/E.U.A.
4122-013	2	Toggle	60	127	350	México	México/E.U.A.
4126-013	1	Toggle	60	127	600	México	México/E.U.A.
4128-013	1	Toggle	60	127	600	México	México/E.U.A.
4134-013	1	Toggle	60	127	600	México	México/E.U.A.
450-20	2	Rotatorio	60	127	400	México	México/E.U.A.
465-13	2	Rotatorio	50/60	120	500	México	México/E.U.A.
450-10	1	Toggle	60	127	400	México	México/E.U.A.
461-13	1	Toggle	60	127	400	México	México/E.U.A.

LEA EL INSTRUCTIVO ANTES DE USAR EL APARATO



Oster®

© 2011 Sunbeam Products, Inc. All rights reserved. Distributed by Sunbeam Latin America, LLC, 5200 Blue Lagoon Drive, Suite 470, Miami, FL 33126.

One year limited warranty – please see insert for details.

© 2011 Sunbeam Products, Inc. Tout droit réservé. Distribué par by Sunbeam Latin America, LLC, 5200 Blue Lagoon Drive, Suite 470, Miami, FL 33126.

Une année de garantie limitée – veuillez lire le feuillet sur la garantie pour plus de détails.

© 2011 Sunbeam Products, Inc. Todos los derechos reservados. Distribuido por Sunbeam Latin America, LLC, 5200 Blue Lagoon Drive, Suite 470, Miami, FL 33126.

Garantía limitada de un año – por favor consulte los detalles en el inserto.

© 2011 Sunbeam Products, Inc. Todos os direitos reservados. Distribuído pela Sunbeam Latin America, LLC, 5200 Blue Lagoon Drive, Suite 470, Miami, FL 33126.

Garantia limitada de um ano – para maiores detalhes, consulte o certificado.

www.oster.com

P.N. 107500-005-000

CBA -080511

Free Manuals Download Website

<http://myh66.com>

<http://usermanuals.us>

<http://www.somanuals.com>

<http://www.4manuals.cc>

<http://www.manual-lib.com>

<http://www.404manual.com>

<http://www.luxmanual.com>

<http://aubethermostatmanual.com>

Golf course search by state

<http://golfingnear.com>

Email search by domain

<http://emailbydomain.com>

Auto manuals search

<http://auto.somanuals.com>

TV manuals search

<http://tv.somanuals.com>