

Sunbeam

Fryware Pack-up Range

Instruction/Recipe Booklet

This book covers the use and care of the following Sunbeam Electric Fryware:

PU5300 Classic® Non-Stick Pack-up Square Non-Stick Frypan + Round Non-Stick Skillet
PU6300 Family Banquet Pack-up Rectangle Non-Stick Frypan + Round Non-Stick Skillet

Please read these instructions carefully
and retain for future reference.



Contents

Sunbeam's Safety Precautions	1
Features of your Sunbeam Fryware	
Sunbeam Family Banquet Frypan	2
Sunbeam Classic® EasyClean Frypan	4
Sunbeam Classic® Skillet	6
Temperature Setting Guide	8
Using your Fryware	9
Care and Cleaning	12
Recipes	13

تأكد من تفهم احتياطات السلامة المذكورة اعلاه

請務必理解上述的安全預防措施。

Assurez-vous que les précautions ci-dessus relatives à la sécurité sont bien comprises

Versichern Sie sich daß die obenstehenden Sicherheitsmaßnahmen Verstanden werden

Βεβαιώνετε πως οι παραπάνω προφυλάξεις ασφαλείας γίνονται κατανοητές

Pastikan bahwa tindakan-tindakan keselamatan seperti di atas dimengerti anda

Accertatevi che le suddette norme di sicurezza siano comprese a dovere

上記の注意事項をよくお読みになり、安全を御確認ください

Уверете се дека погоре споменатите мерки на претпазливост се добро разбрани

Asegúrese de que las precauciones de seguridad precedentes sean bien comprendidas

کاری بکنید کہ احتیاطهای بالا حتماً درک بشوند

ต้องแน่ใจว่า ข้อควรระวังเรื่องความปลอดภัยข้างต้น เป็นที่เข้าใจกันดี

Yukarda belirtilen güvenlik önlemlerinin anlaşıldığından emin olunuz

Xin kiểm chắc rằng những biện pháp làm an toàn kể trên được hiểu rõ

Sunbeam's Safety Precautions

SAFETY PRECAUTIONS FOR YOUR SUNBEAM FRYWARE.

- Use your frypan at least 200mm away from walls and curtains.
- Do not immerse the control probe in water.
- If using a plastic spatula do not leave in cooking vessel when hot.
- The frypan must only be used with the control probe provided.
- Avoid using on metal surfaces e.g. sink, hotplate.
- Remove the control probe before cleaning the frypan.
- After cleaning the frypan ensure that the control probe inlet area is completely dry before using again.

Sunbeam are very safety conscious when designing and manufacturing consumer products, but it is essential that the product user also exercise care when using an electrical appliance. Listed below are precautions which are essential for the safe use of an electrical appliance:

- Read carefully and save all the instructions provided with an appliance.
- Always turn the power off at the power outlet before you insert or remove a plug. Remove by grasping the plug - do not pull on the cord.
- Turn the power off and remove the plug when the appliance is not in use and before cleaning.
- Do not use your appliance with an extension cord unless this cord has been checked and tested by a qualified technician or service person.
- Always use your appliance from a power outlet of the voltage (A.C. only) marked on the appliance.
- This appliance is not intended for use by young children or infirm persons unless they have been adequately supervised by a responsible adult to ensure that they can use the appliance safely.
- Never leave an appliance unattended while in use.
- Do not use an appliance for any purpose other than its intended use.
- Do not place an appliance on or near a hot gas flame, electric element or on a heated oven. Do not place on top of any other appliance.
- Do not let the power cord of an appliance hang over the edge of a table or bench top or touch any hot surface.
- For safety reasons and to avoid maintenance by unskilled persons, some appliances are 'sealed' using tamperproof screws. Such appliances should always be returned to the nearest Sunbeam Appointed Service Centre for adjustment or repair if required.
- Do not operate any electrical appliance with a damaged cord or after the appliance has been dropped or damaged in any manner. If damage is suspected, return the appliance to the nearest Sunbeam Appointed Service Centre for examination, repair or adjustment.
- For additional protection, Sunbeam recommend the use of a residual current device (RCD) with a tripping current not exceeding 30mA in the electrical circuit supplying power to your appliances.
- Do not immerse the appliance in water or any other liquid unless recommended.

If you have any concerns regarding the performance and use of your appliance, please visit www.sunbeam.com.au or contact the Sunbeam Consumer Service Line.

Ensure the above safety precautions are understood.

Features of your Sunbeam Family Banquet Frypan – FP5900

Part of pack-up PU6300

Integrated knob and adjustable steam vent

Allows you to accurately control moisture levels during cooking.

High grade non-stick cooking surface

Enables fat-free cooking and easy wipe down cleaning.

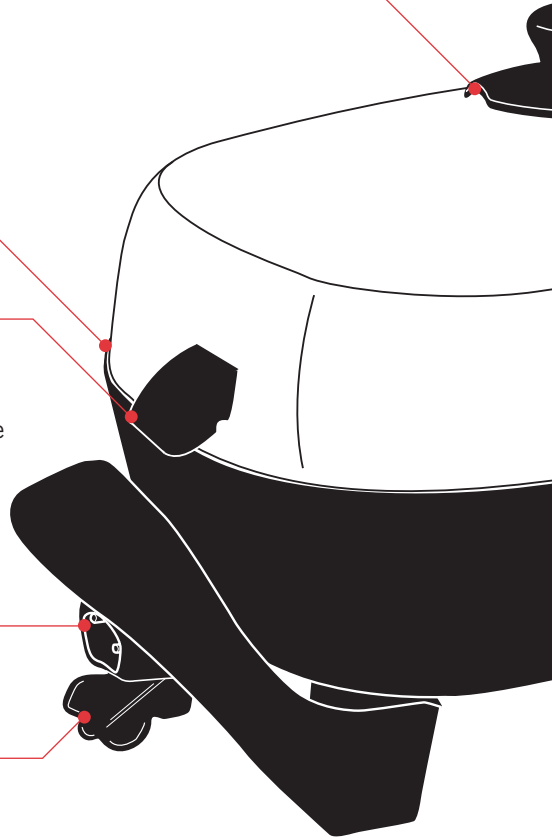
Adjustable lid holder

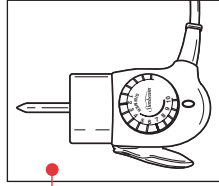
A stepped catch on the side of the lid enables the lid to be tilted above the frypan, to help maintain temperatures. Both hands are then free for stirring, etc. When the lid is in position it acts as a splatter shield. The lid can rest on either of the sides without handles.

Control probe inlet

Pan tilt lever

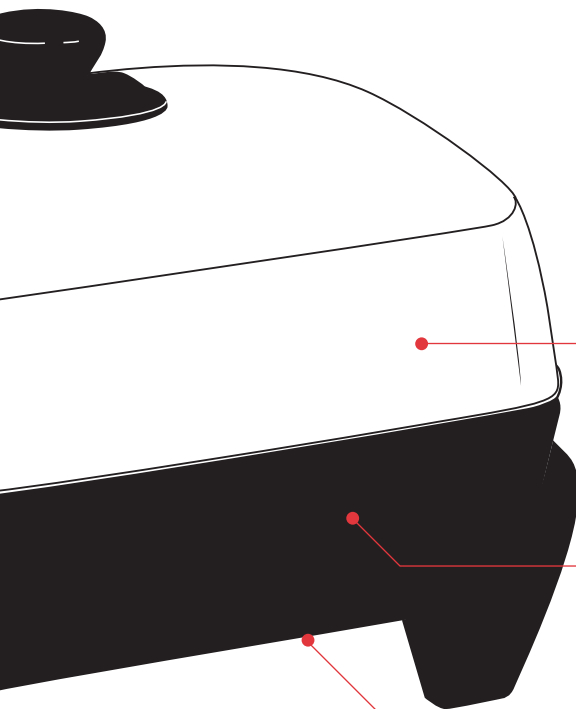
When the lever is in the lowered position the cooking pan is tilted, forcing juices to collect at one end of the pan. Both hands are then free for basting.





Trigger release control probe

The probe is thermostatically controlled and incorporates an indicator light that switches off automatically when the selected temperature has been reached, it then cycles on and off to indicate that the temperature is being maintained.



Metal lid

Turns your frypan into a compact oven. Ideal for roasts, stews and casseroles.

Extra large cooking vessel

The large rectangular frypan (380mm x 292mm) is 78mm deep, ideal for cooking 2 chickens, the largest roast or liquid-based dishes.

Cast-in rectangle element

The rectangle element is completely cast into the heavy duty base providing superior heat distribution.

Features of your Sunbeam Classic® EasyClean Frypan–FP5600

Part of pack-up PU5300

Integrated knob and adjustable steam vent

Allows you to accurately control moisture levels during cooking.

Adjustable lid holder

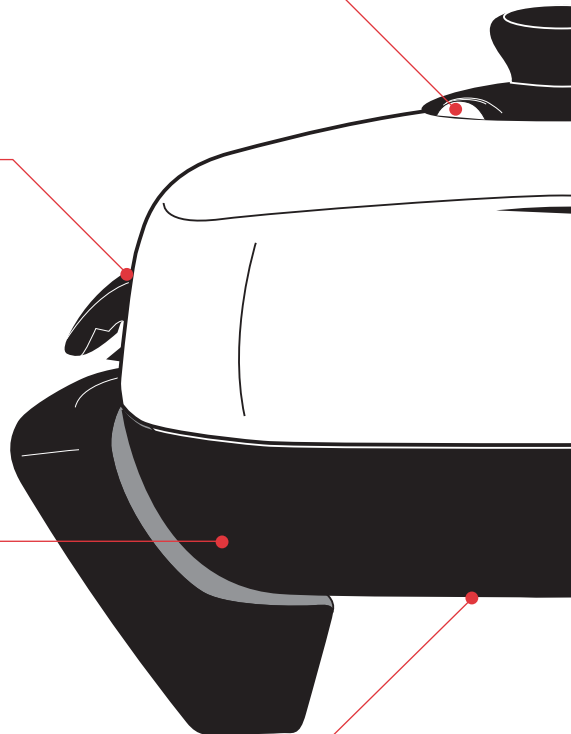
A stepped catch on the side of the lid enables the lid to be tilted above the frypan, to help maintain the temperature selected. Both hands are then free for stirring or for turning steaks. When the lid is in position it acts as a splatter shield. The lid can rest on either of the sides without handles.

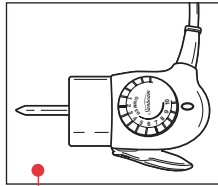
High grade non-stick cooking surface

Enables fat-free cooking and easy wipe down cleaning.

Cast-in square element

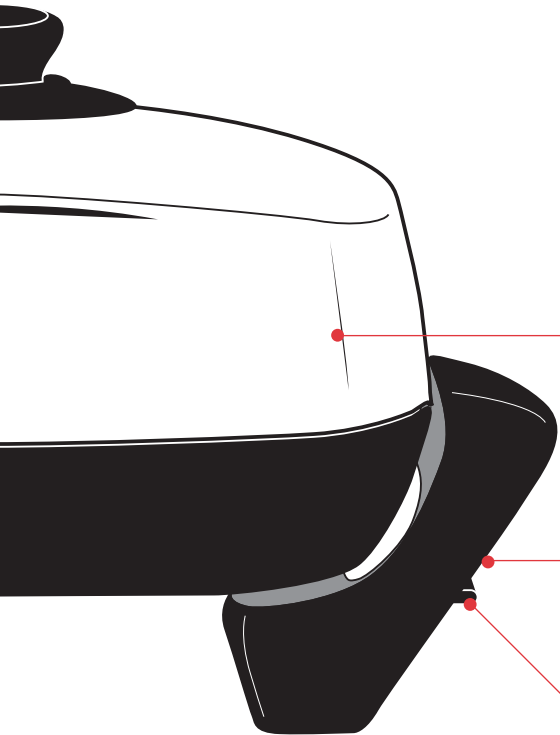
The square element is completely cast into the heavy duty base providing superior heat distribution.





Trigger release control probe

The probe is thermostatically controlled and incorporates an indicator light that switches off automatically when the selected temperature has been reached, it then cycles on and off to indicate that the temperature is being maintained.



High domed lid

Turns your frypan into a compact oven. Ideal for roasts, stews and casseroles.

Control probe inlet

Pan tilt lever

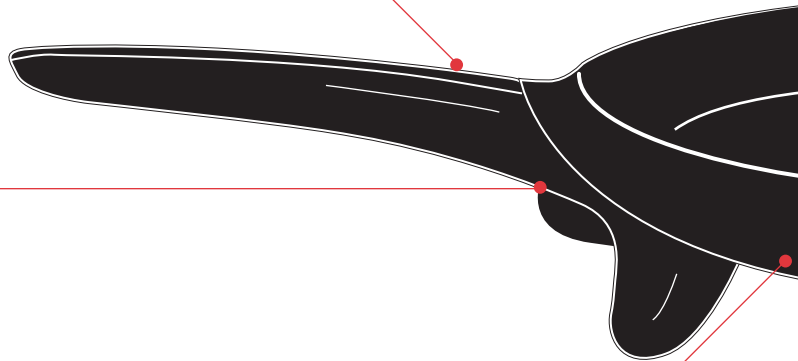
When the lever is in the lowered position the cooking pan is tilted, forcing juices to collect at one end of the pan. Both hands are then free for basting.

Features of your Sunbeam Classic[®] Skillet - SK4200

Included in pack-up PU5300 and PU6300

Cool touch handle

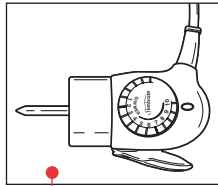
For safe cooking and carrying of your skillet.



Control probe inlet

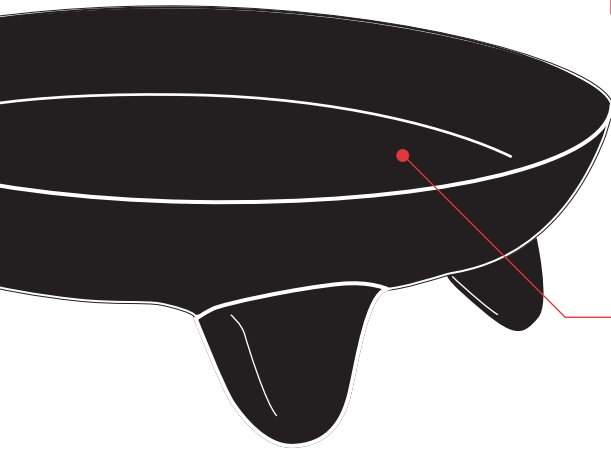
Cast-in element

The element is completely cast into the heavy duty base providing superior heat distribution.



Trigger release control probe

The probe is thermostatically controlled and incorporates an indicator light that switches off automatically when the selected temperature has been reached, it then cycles on and off to indicate that the temperature is being maintained.



High grade non-stick cooking surface

Enables fat-free cooking and easy wipe down cleaning.

Temperature Setting Guide

The following table provides approximate temperatures for each setting on the control probe.

DIAL SETTING	CELSIUS (approx)	FARENHEIT (approx)	SUGGESTED USES	TEMPERATURE
1 2	100°C 110°C	212°F 230°F	Keeping food warm	LOW
3 4	125°C 140°C	260°F 285°F	Simmering, slow cooking	
5 6	150°C 160°C	300°F 320°F	Pan frying, roasting	MEDIUM
7 8	175°C 185°C	350°F 365°F	Shallow frying	
9 10	200°C 210°C	390°F 410°F	Searing, sealing and baking	HIGH

Note: The suggested uses above are provided as a guide only and may require adjustment to suit different foods and individual tastes.

When the dial is set to a low setting, it is normal for food to stop and start bubbling, as the thermostat maintains the selected temperature.

Using your Fryware

Before the first use: Wash, rinse and dry your frypan/skillet and lid. Season the cooking surface by applying a thin coat of cooking oil and rub in with paper towelling.

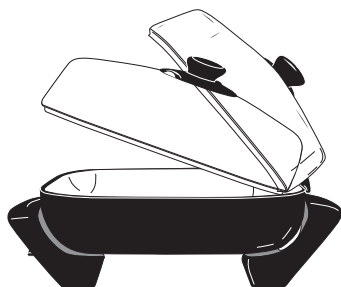
1. Insert the control probe into the inlet on the frypan/skillet.
2. Plug the cord into a 230-240V power outlet and turn the power on.
3. Set the control probe dial to the desired temperature setting. Refer to page 8 for the temperature guide.

Note: The light on the control probe will illuminate and will remain on until the set temperature is reached. It will then cycle on and off throughout cooking, as the temperature is maintained by the thermostat. On initial heating of the frypan/skillet, it is recommended that the temperature be allowed to cycle (the light cycling on and off) several times. This will help the cooking surface to adjust to a more accurate cooking temperature.

Adjustable lid holder

(Models FP5600/FP5900)

This is a stepped catch on the side of the lid. It allows the lid to rest above the frypan and eliminates the need to find a spot on the bench. When in position the lid also acts as a spatter shield. The lid can rest on either side of the handle for the FP5900 and on the opposite edges for the FP5600.



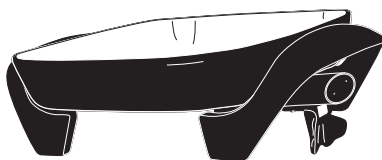
FP5900

Using the pan tilt lever

(Models FP5600/FP5900)

The pan tilt lever is positioned under the inlet where the control probe is inserted.

To tilt the frypan, push the lever down. This allows the fat and juices to drain from the food for crisp, low fat cooking. It also makes it easier to baste food and serve sauces or gravy.



FP5600

Note: Any discolouration on the cooking surface that may occur will not affect the cooking performance. Do not use metal utensils, these will scratch and damage the non-stick cooking surface. Sunbeam recommends only using heat-proof plastic or wooden utensils to stir food.

Cooking with your Sunbeam Fryware

Baking

(Models FP5600/FP5900)

Your frypan can be used for baking cakes, with deliciously moist results.

1. Preheat the frypan to setting 10, with the lid on.
2. Elevate the cake pan or tray from the base of the frypan using a small wire rack.

Cooking times will be longer than those of a conventional oven.

Basting

(Models FP5600/FP5900)

The pan tilt lever makes basting easy as it allows the juices to drain to one side of the pan. Reduce the temperature to prevent any fat and juices spattering. Position the pan tilt lever and spoon the juices over the food as desired.

Boiling Pasta

(Models FP5600/FP5900)

1. Bring 6 cups of water to the boil on setting 5. Add 1-2 teaspoons of oil to stop the pasta from sticking together.
2. Add 250g (1½ cups) of pasta and cook until tender, for approximately 8-12 minutes.
3. Reduce to a lower setting if the water boils too rapidly.

Note: Cooking times will vary with different types of pasta.

Boiling Rice

(Models FP5600/FP5900)

1. Bring 6 cups of water to the boil on setting 5. Add 200g (1 cup) of rice and position the lid.
2. Cook until tender, approximately 10-12 minutes, and then drain.
3. Reduce to a lower setting if the water boils too rapidly. Stir occasionally so that the rice does not stick.

Browning and Sealing Meat

(All models)

It is necessary to brown and seal meat in many recipes. Meat retains its juices and the flavours develop after browning and sealing. This also prevents it from sticking when baking or roasting. Preferably use meat that is at room temperature, as this reduces the cooking time.

1. Preheat the frypan to settings 8-9.
2. Brown meat on all sides, with the lid off.
3. After sealing, reduce the temperature to settings 4-5 and replace the lid until the meat is cooked as desired.

Cooking with your Sunbeam Fryware continued

Frying

(All models)

The frypan and skillet are ideal for shallow or dry frying. Deep frying is not particularly suitable as both the frypan and skillet have shallow sides and a greater surface area, which results in heat loss and the possible overflow of oil.

Pan frying: Suitable for eggs, omelettes, bacon, sausages, steaks and chicken pieces. Preheat to settings 5-6 with a little oil to add flavour. Non-stick cooking surfaces do not require a large amount of oil. Steaks should only be turned once during cooking.

Shallow frying: Suitable for vegetable pieces e.g roast pumpkin and potato, and crumbed food. Preheat on settings 6-8 with sufficient oil so that the food is half immersed. Cook food with the lid off.

Sauteéing: Preheat on settings 5-6 with a little oil to add flavour.

Stir frying: Food is cooked quickly, over a high heat and vegetables retain their flavour and crispness. For best results and even cooking, cut food into even sized, smaller pieces.

1. Preheat the frypan on setting 8-9.
2. Slice meat into strips. Coat meat in a little oil and stir-fry in batches until browned. This prevents meat from stewing.
3. Add vegetables and seasoning, stirring continuously. Vegetables which take longer to cook, such as carrots, should be cooked first, adding the other ingredients later. Cook until the vegetables are still slightly crisp. Return the meat back into the pan when the vegetables are almost cooked. The lid can be in position in the last few minutes of cooking.

Roasting

(All models)

Meat and poultry: The frypan and skillet are ideal for roasting meat and poultry, as the meat retains the flavour and juices.

1. Preheat the frypan/skillet to settings 8-9. Use only a small amount of oil for less fatty joints and no oil for fattier joints of meat.
2. Brown and seal the meat on all sides and position the lid.
3. After browning, turn the dial to settings 4-5 to cook the meat as desired. Turn meat occasionally during cooking to ensure even cooking.
4. Remove meat from pan and cover with foil. Allow meat to rest for 5-10 minutes, meanwhile you can make a gravy from the juices in the frypan.

Vegetables: Cut into even sized pieces. Add to the frypan 45-60 minutes before serving. For crisper vegetables, remove the meat and increase the heat for the last few minutes of cooking.

Roasting times:

Note: These times are for well done. Reduce the times to suit personal taste.

PORK: 30-40 minutes per 500g after browning.

VEAL: 30-40 minutes per 500g after browning.

LAMB: 25-30 minutes per 500g after browning.

CHICKEN: 30-35 minutes per 500g after browning.

Care and Cleaning

Always turn the power off and remove the plug from the power outlet after use and before cleaning. Allow appliance to cool before cleaning.

Control probe

If cleaning is necessary, wipe over with a damp cloth.

Note: The control probe must be removed before the frypan/skillet is cleaned and the control probe inlet must be dried before the frypan/skillet is used again.

Important: Do not immerse the control probe in water or other liquid.

Store the control probe carefully. Do not knock or drop it as this can damage the probe. If damage is suspected, return the control probe to your nearest Sunbeam Appointed Service Centre for inspection. Refer to the separate warranty and service centre booklet.

High domed metal lid

Wash the lid in warm soapy water using a soft sponge, rinse and dry thoroughly. Metal scourers will scratch the surface and should be avoided. Some food such as tomato paste and curry may stain the surface. This staining may be removed or reduced by rubbing with a cream cleanser or a paste of bicarbonate of soda and water.

Note: Do not place metal lid in a dishwasher.

To clean interior and exterior surface.

- When cleaning the non-stick coating do not use metal (or other abrasive) scourers. After cleaning, dry the frypan and lid with a soft cloth before storing.
- Wash in hot soapy water or in a dishwasher. Remove stubborn spots with a plastic washing pad or sponge.
- The heating element is totally sealed, making the frypan safe to fully immerse in water, or place in a dishwasher.
- Wash as directed, and re-season the frypan/skillet before using again. In some instances this may not remove all the staining.

Frypan Recipes

For recipes for your Classic Skillet see page 23.

Note: The temperature settings stated in these recipes are a guide only and will vary by model.

Corn Fritters

Serves 4
Makes approx. 20 fritters

- 1 cup self raising flour
- ½ teaspoon bicarbonate soda
- ½ teaspoon sweet paprika
- ½ teaspoon ground coriander
- ⅔ cup buttermilk
- 2 eggs
- 2 cups corn kernels
- 1 small red capsicum, diced finely
- 3 small green onions, sliced
- 2 tablespoons chopped fresh parsley
- 1 tablespoon chopped fresh coriander
- Sea salt
- Freshly ground black pepper
- Olive oil
- Tomato chilli jam, to serve

1. Combine flour, soda, paprika in a bowl; whisk through buttermilk and eggs to form a batter.
2. Combine corn, capsicum, green onions, parsley and coriander in a large bowl. Stir through the batter; season with salt and pepper.
3. Heat frypan on setting 8. Drizzle a little olive oil in frypan and spoon tablespoonfuls of mixture into pan. Cook fritters for 2-3 minutes on each side until golden.
4. Serve with tomato chilli jam if desired.

Gyoza (Japanese Dumplings) Makes approx. 50

- 150g pork mince
- 150g chicken mince
- 2 tablespoons kecap manis (sweet soy)
- 1 teaspoon sugar
- 1 tablespoon mirin
- 1 egg
- 2 teaspoons sesame oil
- 2½ cups Chinese cabbage, shredded finely
- ⅓ cup finely chopped water chestnuts
- 4 green onions, chopped finely
- 50 sheets gow gee wrappers
- vegetable oil for pan frying

Dipping Sauce

- 2 tablespoons kecap manis
- 1 tablespoon black vinegar

1. Combine all ingredients in a bowl and mix well.
2. Lay several sheets of gow gee wrappers out onto a bench top. Have a tray lined with baking paper ready to place the prepared gyoza onto.
3. Place a rounded teaspoon of filling into the centre of the wrapper. Moisten the edges with a little water. Fold the wrapper over the filling but before sealing carefully pleat on one side. The pastry will look plain on one side but have a small pleat on the other. Gently press the pastry to seal. Repeat with remaining wrappers.

Frypan recipes continued

4. Heat frypan on setting 8. Heat 1 tablespoon of oil in the frying pan and place the dumplings, in batches, into the pan, pleat side up. Cook until the dumplings are golden on the bottom. Do not turn. Carefully pour enough water in the frying pan so that the dumplings are half covered. Place the lid on the frying pan and cook, covered for 1 minute. Remove lid and cook, uncovered, until all the water has evaporated. Remove from pan, repeat with remaining dumplings.

Note: The water should be simmering the whole time. If this does not happen increase the heat to setting 10.

5. Serve with dipping sauce.

Tip: Kecap manis, mirin and black vinegar are available at Asian grocery stores.

Soya Sauce Chicken Wings **Serves 4**

1½ kg chicken wings

⅓ cup honey

½ cup low salt soy sauce

2 teaspoons Chinese cooking wine

2 cloves garlic, crushed

3 teaspoons grated fresh ginger

1. Cut wings at joints and discard tips.
2. Combine remaining ingredients in a jug.
3. Place wings in a single layer in electric frying pan. Pour sauce over wings and turn to coat.
4. Turn electric frying pan onto setting 6. Cook wings, turning occasionally. Cook for about 30 minutes or until browned and cooked through.
5. Serve with rice.

Tip: Chinese cooking wine is available from Asian grocery stores. If you cannot find it simply replace with sherry or omit completely.

Spanish Paella

Serves 6-8

8 large green prawns

8 small black mussels

3½ cups fish/chicken stock

1 teaspoon saffron threads

180g chorizo sausage, sliced

200g chicken thighs, halved

1 tablespoon extra virgin olive oil

1 medium onion, chopped finely

1 clove garlic, crushed

¼ teaspoon smoked paprika

1 x 400g canned tomatoes

1½ cups Arborio or Spanish rice

300g whole pipis, purged

½ cup frozen peas

1 small roasted red capsicum, sliced

1. Peel four of the prawns and devein. Leave the other four whole for presentation. Clean and de-beard mussels.
2. Place stock and saffron in a saucepan and heat gently to infuse. Cover and keep warm.
3. Heat the electric frying pan on setting 8. Cook chorizo in pan until golden; drain on paper towelling.
4. In same pan cook the chicken thighs and whole prawns in chorizo oil until just cooked through; set aside.
5. Reduce heat to 6 add extra virgin olive oil, if needed, in electric frying pan and cook onions and garlic until the onions are translucent; add paprika and cook for a further 30 seconds.
6. Add tomatoes and cook on setting 6 for 2-3 minutes. Add rice and cook, stirring until well coated. Add stock and stir to combine. Reduce heat to 3 and cook, covered for 10 minutes.

Frypan recipes continued

- After 10 minutes check rice, add a little water if the rice looks too dry. Cook, covered, for a further 5 minutes if the rice is still quite hard.
- Arrange raw seafood, chicken, chorizo, whole prawns, peas, roasted capsicum, over rice and cook, covered for a further 5 minutes or until the seafood is cooked and the rice is tender. Turn heat off and keep covered for 5 minutes before serving.

Pan fried Chicken Breast with Salsa Verde

Serves 6

- 1-2 tablespoons olive oil
- 6 chicken breast fillets

Salsa Verde

- 1 cup flat leaf parsley
- ½ cup dill
- ½ cup mint leaves
- 2 cloves garlic
- 1 tablespoon small capers
- 1 tablespoon grated lemon rind
- Sea salt and freshly ground black pepper
- ¾ cup extra virgin olive oil

- Heat frying pan on setting 7. Add oil and cook chicken, uncovered, until browned on both sides and cooked through. Remove from heat and serve with Salsa Verde
- To make the Salsa Verde, blend or process all ingredients until a chunky sauce texture is achieved.

Tip: Salsa Verde also goes very well with pan fried fish fillets.

Pan Fried Fish with Garlic and Lemon Serves 4

- 4 fillets (800g) white fish fillets
- 2 tablespoons olive oil
- 2 cloves garlic, crushed
- 2 tablespoons lemon juice
- 2 eschalots, minced
- ¼ cup shredded fresh basil leaves
- Sea salt
- Freshly ground black pepper
- Steamed New Potatoes or Mash, to serve
- Steamed Broccolini, to serve

- Place fish in a shallow baking dish. In a small bowl combine the garlic, lemon juice, eschalots, basil, salt and pepper and mix well.
 - Pour marinade over fish and allow to sit at room temperature for 20 minutes.
 - Heat frying pan on setting 9. Add oil and cook fish for 3-5 minutes on both sides until just cooked through.
- Note:** Cooking time will vary depending on the thickness of each fillet.
- Serve fish with potatoes and steamed broccolini.

Frypan recipes continued

Beef Stroganoff

Serves 4

2 tablespoons flour
1 kg beef strips
2 tablespoons olive oil
2 small cloves garlic, crushed
¼ cup tomato paste
1 cup beef stock
250g mushrooms, sliced
150ml sour cream
Salt and freshly ground black pepper

1. Dust beef in flour, shaking off excess flour. Heat oil in frying pan on a setting 6; cook beef in batches until browned.
2. Return all beef to pan and add remaining ingredients, except sour cream. Cover and cook on setting 4 for about 45 minutes or until the beef is tender.
3. Stir through sour cream. Season with salt and pepper. Serve with buttered noodles.

Creamy Oyster Chicken

Serves 4

800g chicken tenders
¼ cup flour
1 tablespoon olive oil
300ml cream
¼ cup oyster sauce
200g small button mushrooms, quartered
freshly ground black pepper
steamed broccoli, to serve
steamed rice, to serve

1. Lightly coat chicken in flour. Heat oil in frying pan on setting 8. Cook chicken, in batches, until golden on each side. Remove from pan. The chicken should not be completely cooked through at this stage.
2. Add cream and oyster sauce to frying pan; stir to combine. Add mushrooms and cook for 1 minute. Return chicken to frying pan and cook, stirring occasionally until the sauce has thickened and the chicken is cooked through.
3. Serve with steamed broccoli and rice.

Frypan recipes continued

Steamed Salmon Parcels

Serves 4

4 x 180g Atlantic salmon fillets
1 stalk lemon grass, white only, chopped finely
4 Eschalots, sliced thinly
1/3 cup coriander leaves
1 large red chilli, seeded and sliced
2 cloves garlic, crushed
2 teaspoons grated fresh ginger
1/2 cup coconut milk
Sea salt
Freshly ground black pepper
1 tablespoon peanut oil
4-6 baby bok choy, quartered
Steamed jasmine rice, to serve

1. Preheat electric frypan on heat 8 with the lid on for 5 minutes.
2. Combine the lemon grass, eschalots, coriander, chilli, garlic, ginger, coconut milk and salt and pepper in a bowl and mix well.
3. Place each piece of salmon on four individual pieces of aluminium foil. Divide the coconut mixture evenly over the tops of the salmon. Fold each piece of foil up to make four sealed parcels.
4. Place four parcels in frying pan and cook, covered, on setting 6 for about 12-15 minutes or until cooked as desired. Remove from heat.
5. Quickly increase heat in electric frying pan and heat oil; toss bok choy for 1-2 minutes until wilted; season with salt and pepper.
6. Serve salmon with bok choy and steamed jasmine rice.

Dhal

Serves 4

1 tablespoon vegetable oil
1 medium onion, finely chopped
1 clove garlic, crushed
3 teaspoons ground cumin
1/2 teaspoon cumin seeds
1 teaspoon black mustard seeds
2 tablespoons tomato paste
2 cups red lentils, rinsed and drained
2 cups vegetable stock
1 litre water
400g can chopped tomatoes
3 baby eggplants, chopped coarsely
4 hard boiled eggs, optional
salt to taste

1. Heat oil in frying pan on setting 4. Add onion and garlic and cook, stirring, for 2-3 minutes or until onion is soft.
2. Add dried spices and cook a further 1 minute, or until spices are fragrant. Stir through tomato paste and cook for 2 minutes.
3. Increase heat to setting 9; add lentils, stock and water and bring mixture to the boil. Reduce heat to setting 3 and cook, uncovered, stirring occasionally, until the mixture thickens slightly.
4. Add the tomatoes and eggplant and cook for a further 10 minutes then cook, covered, for another 10 minutes or until the dhal has thickened and the eggplant is soft.
5. Add whole peeled eggs and stir gently until heated through.
6. Season to taste.

Frypan recipes continued

Penne Boscaiola

6 rashers bacon
200g sliced button mushrooms
 $\frac{2}{3}$ cup white wine
300ml cream
Freshly ground black pepper
500g penne
shaved parmesan, to serve

1. Have a large pot of boiling water ready.
2. Remove rind from bacon and slice into 5mm pieces.
3. Heat frying pan on setting 8. Cook bacon until golden. Add mushrooms and stir through.
4. Add wine and cook, stirring, until the wine has reduced by half. Add cream and cook, stirring occasionally, until the sauce has thickened slightly.
5. Cook pasta until just tender, drain and add to sauce and stir through. Season with salt and pepper and serve immediately with shaved parmesan.

Serves 4

Lamb Rack with Garlic and Parmesan Crust

2 x 400g lamb rack roast, French trimmed
4 slices of day old bread, crust removed
2 cloves garlic, chopped
2 tablespoons of grated fresh parmesan
1 tablespoon of chopped fresh rosemary
2 tablespoons of seeded mustard
Olive oil spray
Mashed potatoes, to serve

1. Preheat frying pan on setting 7.
2. Place lamb racks on a chopping board, having the bones interlocked in the middle.
3. Combine bread, garlic, parmesan and rosemary in a food processor. Process until mixture resembles fine breadcrumbs
4. Spread mustard evenly over the outside of the cutlets flesh.
5. Press the bread mixture over the mustard and spray well with olive oil spray.
6. Place lamb racks in frying pan, reduce heat to setting 3 and cook, covered, for about 35 minutes or until cooked as desired. Remove from frying pan and cover with foil. Allow to rest 5-10 minutes.
7. Cut lamb into individual cutlets and serve with mashed potatoes.

Serves 4

Tip: Recipe can be doubled to serve 8.

Frypan recipes continued

Roast Chicken with Stuffing

1.2kg whole fresh chicken
sea salt
freshly ground black pepper

Stuffing

1 onion, chopped finely
2 teaspoons olive oil
3 cups fresh bread crumbs
30g softened butter
1 teaspoon grated lemon rind
2 tablespoons chopped fresh parsley
2 teaspoons chopped fresh thyme

1. Wash and clean chicken thoroughly. Pat dry with paper towelling.
2. To make stuffing, cook onion in oil until softened. Add to remaining stuffing ingredients and mix well.
3. Place the stuffing inside the cavity of the chicken. Tuck the wings back and tie the base of the chicken with cooking string so that the legs are crossed and securely positioned.
4. Preheat frying pan on setting 7. Brush chicken with a little oil and salt and pepper.
5. Brown chicken on all sides; reduce heat to setting 5 and cook, covered, with the vent open, for about 1½ hours or until cooked through.

Tip: If cooking roast vegetables, place in frying pan ¾ to 1 hour before the end of cooking.

Serves 4

Roast Lamb

1 leg lamb
4-6 garlic cloves, sliced
3-4 sprigs rosemary, snipped into small pieces
2 tablespoons olive oil
sea salt
freshly ground black pepper
6 small picking onions
400g pumpkin, cut into chunks
½ bunch baby carrots, trimmed
2 potatoes, cut into chunks
1 sweet potato, peeled and thickly sliced

1. Using a small sharp knife, pierce the lamb all over, making indentations about 2cm deep. Push a piece of garlic into each slit and a small piece of rosemary. The rosemary should be poking out slightly.
2. Heat frying pan to setting 10. Add oil and brown lamb all over. Season with salt and pepper; add onions to pan. Reduce heat to setting 6. Cook lamb, covered, for about 1 hour and 15 minutes.
3. Add vegetables to pan and cook for a further 25 minutes. Remove lamb and allow to rest, covered, until the vegetables are cooked as desired.

Serves 4-6

Frypan recipes continued

Mustard Seed Potatoes

Serves 8

- 1.5kg baby new potatoes
- 2 tablespoons extra virgin olive oil
- 2 tablespoons black mustard seeds
- 1-2 teaspoons sea salt flakes

1. Place potatoes into frypan and pour enough water in to cover. Cook potatoes, covered, on Setting 10 until tender. Drain well for 10 minutes.
2. Heat frypan on Setting 8, add oil, potatoes, mustard seeds and salt; stir to coat. Place lid on potatoes and cook, stirring occasionally, until the potatoes are golden.

Tip: Keep the lid on during cooking as the mustard seeds pop!

Family Beef Casserole with Semi Dried Tomatoes

Serves 4

- 1kg chuck steak, cut into 2cm cubes
- ¼ cup flour
- 2 tablespoons olive oil
- 1 bunch of spring onion, stalk trimmed, peeled and left whole
- 1 clove garlic, crushed
- 2 tablespoons tomato paste
- ¼ cup red wine
- 2 small carrots, diced
- 1 celery stalk, sliced
- ½ cup beef stock
- ½ cup water
- 1 tablespoon chopped fresh thyme
- 1 bay leave
- ½ cup semi dried tomatoes
- Salt and freshly ground black pepper

1. Dust beef in flour, shaking off excess flour. Heat oil in frypan and cook beef in batches until brown. Set aside.
2. To the same pan, add onion and garlic, cook stirring for 1-2 minutes, or until onion starts to colour. Stir tomato paste cook 1 minute.
3. Add wine and allow alcohol to evaporate and liquid to reduce slightly. About 2 minutes.
4. Place beef, vegetables, stock, water, thyme and bay leaves in frypan. Cover and cook on setting 4 for 1 hour stirring occasionally. After 1 hour add tomatoes and cook for a further 20-30 minutes or until beef is tender.
5. Season to taste and serve hot with mashed potatoes or rice.

Frypan recipes continued

Caramelised bananas with Hot Chocolate Sauce and Whipped Cream **Serves 4**

4 large bananas
¼ cup firmly packed brown sugar
1 teaspoon cinnamon
Whipped cream, to serve

Hot chocolate sauce

100g dark chocolate, chopped
30g white marshmallows, chopped
150ml thickened cream

1. Preheat frying pan on setting 4.
2. Cut bananas in half lengthways, leaving the skin on. Sprinkle the combined sugar and cinnamon over the cut bananas. Press gently into the banana.
3. Place bananas, cut side down and cook, uncovered, for about 6 minutes or until the sugar has caramelised and the banana has softened. Serve bananas with hot chocolate sauce and whipped cream.
4. To make the hot chocolate sauce, combine all ingredients in a small saucepan and cook, stirring, over a low heat, until melted.

Spiced Rhubarb and Berry Compote **Serves 4-6**

2 bunches of rhubarb, cut into 2cm pieces
500g frozen mixed berries
¾ cup sugar
1 cinnamon stick
3 whole cloves
1 teaspoon grated orange rind

1. Combine all ingredients into the frying pan. Cook, stirring gently, on setting 8 until the sugar dissolves. Cover and cook on setting 5 for about 15 minutes or until the rhubarb is tender.
2. Serve hot with ice cream, custard or with your favourite pudding.

Frypan recipes continued

Crème Caramel

- 1 cup sugar
- ½ cup water
- ⅓ cup caster sugar
- 3 eggs
- 2 egg yolks
- 250ml cream
- 250ml milk
- 1 vanilla bean, seeds scraped

1. Combine sugar and water in a small saucepan. Stir over a low heat until the sugar has dissolved. Increase heat; boil without stirring, until the toffee turns a golden colour.
2. Remove from heat, once the bubbles have subsided, pour into 6 individual 1-cup capacity metal moulds. Allow to cool.
3. Beat eggs and sugar until light and creamy.
4. Heat milk, cream, vanilla bean and seeds until almost boiling. Whisk hot milk into egg mixture. Pour mixture through a strainer.
5. Pour mixture into moulds. Place moulds into frying pan. Pour enough boiling hot water to come halfway up the sides of the moulds.
6. Cook, covered, on setting 6 for about 15 minutes or until the custard has set.

Note: Be careful when removing lid to check custard that no water from the lid goes into the moulds

Serves 6

Individual Sticky Date Puddings

Serves 8

- 200g coarsely chopped dried dates
- 1 teaspoon bicarbonate soda
- 1¼ cups boiling water
- 60ml olive oil
- 1 cup firmly packed brown sugar
- 1 cup self raising flour
- ¼ teaspoon mixed spice
- 2 eggs

Butterscotch sauce

- 160g butter
- ⅔ cup firmly packed brown sugar
- 1 cup (250ml) thickened cream

1. Preheat frying pan on setting 4 with the lid on. Grease 8 individual 1-cup capacity metal moulds
2. Place dates, soda and boiling water into a blender or food processor. Place lid on and allow the mixture to stand for 5 minutes.
3. Add oil and sugar and pulse 3 times.
4. Add remaining ingredients and pulse mixture until just combined. Scrape down sides of bowl if necessary. Do not over process.
5. Pour mixture into prepared moulds. Place moulds in frying pan and carefully pour enough boiling water to come half way up the sides of the moulds. Cook for about 25 minutes or until cooked when tested with a wooden skewer. Carefully remove from frying pan; stand for 5 minutes before turning out onto a wire rack.
6. Serve pudding with butterscotch sauce. To make sauce, heat all ingredients in a small saucepan over a low heat until combined.

Tip: Puddings can be made in advance and then rewarmed in a microwave.

Skillet Recipes

The following recipes are also suitable for your Classic Skillet. Please note that it will be necessary to cook in batches.

Corn Fritters	Page 13
Pan Fried Chicken Breast with Salsa Verde	Page 15
Pan Fried Fish with Garlic and Lemon	Page 15
Caramelised Bananas with Hot Chocolate sauce	Page 21

Buttermilk Pancakes

Makes 8

- 1 cup self raising flour
- 2 tablespoons sugar
- ½ teaspoon bicarbonate of soda
- 1 egg, lightly beaten
- 2 tablespoons vegetable oil
- 1 cup buttermilk
- 60g butter

1. Sift dry ingredients into a large bowl. Make a well in the centre.
2. Whisk the combined wet ingredients into the dry ingredients until smooth.
3. Heat skillet on setting 6. Melt some of the butter and spoon ¼ cupfuls of mixture at a time into the frying pan. Turn the pancakes once the bottom is golden and the tops starts to bubble. Cook until the underside is golden.
4. Serve with extra butter and maple syrup.

Pikelets

Makes approx 12

- 1 egg
- ¼ cup sugar
- 1 cup self raising flour
- ¾ cup milk
- pinch salt
- butter for frying

1. Beat egg and sugar with an electric mixer until light and creamy.
2. Add flour, milk and salt and beat until smooth.
3. Heat skillet on setting 8. Melt a little butter in frying pan and wipe away any excess with paper towelling.
4. Spoon heaped spoonfuls of batter in frying pan and cook on both sides until golden.
5. Serve with butter, jam, cream or chocolate hazelnut spread.

For savoury pikelets: Reduce sugar to 2 tablespoons and stir through chopped fresh herbs of choice. Top with slices of prosciutto, goats cheese and rocket or cream cheese, smoked salmon and capers.

Skillet Recipes continued

Scrambled Eggs

Serves 2

4 large eggs
2/3 cup cream
Sea salt
Freshly ground black pepper
20g butter
Toast, to serve

1. In a medium bowl, whisk the eggs, cream, salt and pepper until well combined. Heat butter in skillet over a medium heat until it bubbles.
2. Pour in the egg mixture and cook, stirring with a wooden spoon, until the eggs are just starting to firm but are still quite moist.
3. Serve immediately with hot, buttered toast.

Sweet crepes

Makes approximately
16 crepes

3 eggs
60g butter, melted
1 3/4 cups milk
250g plain flour
2 tablespoons caster sugar
pinch salt

1. Place crepe ingredients into a blender jug and blend on low for about 20 seconds or until combined. Strain into a jug and stand for 30 minutes.
2. Heat skillet on setting 7. Pour about 1/4 cup of batter into the greased pan. Tilt the pan to spread the mixture evenly. Cook over a low heat on both sides until golden. Repeat with remaining mixture.
3. Serve crepes with lemon juice and sugar or hazelnut spread.

Omelette with Porcini Mushrooms

Serves 2

40g dried porcini mushrooms
4 eggs
sea salt
freshly ground black pepper
butter
1/4 cup grated cheese

1. Soak mushrooms in hot water for 10 minutes; drain and roughly chop.
2. Whisk eggs, mushrooms, salt and pepper in a medium bowl until combined.
3. Melt butter in skillet on setting 8; once bubbles have subsided pour in egg mixture. Once the egg mixture has begun to cook underneath use a wooden spoon bring in the edges of the egg mixture into the centre of the skillet (this creates height in your omelette). Do this 2-3 times then allow the omelette to brown slightly underneath and almost set on the top.
4. Sprinkle the cheese over half of the omelette, then using a spatula, carefully fold the omelette in half. Cook for a further 30 seconds.
5. Carefully tip omelette onto a serving plate.

'Sunbeam', is a registered trademark of Sunbeam Corporation.
'Classic' is a registered trademark of Sunbeam Corporation.
Made in China. Designed in Australia. Due to minor changes
in design or otherwise, the product may differ from the
one shown in this leaflet. Backed by Sunbeam's 12 Month
Replacement Guarantee and National Service Network.

© Copyright. SUNBEAM CORPORATION LIMITED 2005.

(INCORPORATED IN N.S.W.) A.C.N. 000 006 771

Sunbeam Corporation is a division of GUD Holdings Ltd.

For more information or advice on this or any other
Sunbeam appliance, visit www.sunbeam.com.au or
contact the Sunbeam Consumer Service Line.

Australia 1800 025 059

New Zealand 0800 786 232.



Consumer Hotline


Australia

1800 025 059

New Zealand

0800 786 232

www.sunbeam.com.au

 is a registered Trademark of Sunbeam Corporation Limited. ACN 000 006 771.

© Sunbeam Corporation Limited 2005.

Download from Www.Somanuals.com. All Manuals Search And Download.

Free Manuals Download Website

<http://myh66.com>

<http://usermanuals.us>

<http://www.somanuals.com>

<http://www.4manuals.cc>

<http://www.manual-lib.com>

<http://www.404manual.com>

<http://www.luxmanual.com>

<http://aubethermostatmanual.com>

Golf course search by state

<http://golfingnear.com>

Email search by domain

<http://emailbydomain.com>

Auto manuals search

<http://auto.somanuals.com>

TV manuals search

<http://tv.somanuals.com>