

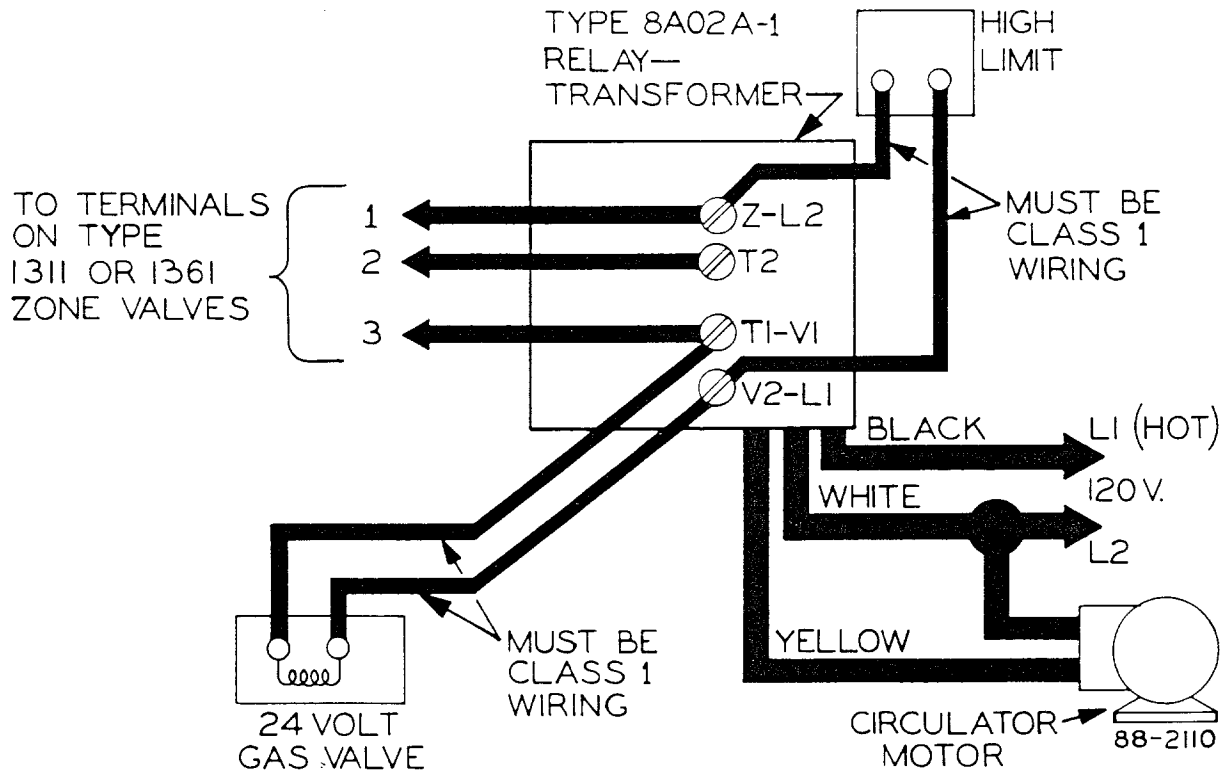
WHITE-RODGERS AUTOMATIC CONTROLS

— INSTRUCTIONS —

Supplementary Diagrams for
using Type 1311 or 1361 Zone Valves
with Type 8A02A-1 and 8A03A-2
Relay-Transformers

Fig. 1

Alternate Connections for Using Type 1311 and 1361 Zone Valves
with Type 8A02A-1.



See back of sheet for Type 8A03A-2 Diagrams.

WIRING (Cont'd.)

Fig. 2

Diagram for Type 1311 Zone Valves with 24v Gas Valve and Type 8A03A-2 Relay. (NOTE: Wiring is same for 1361 valves except for wiring to thermostats.)

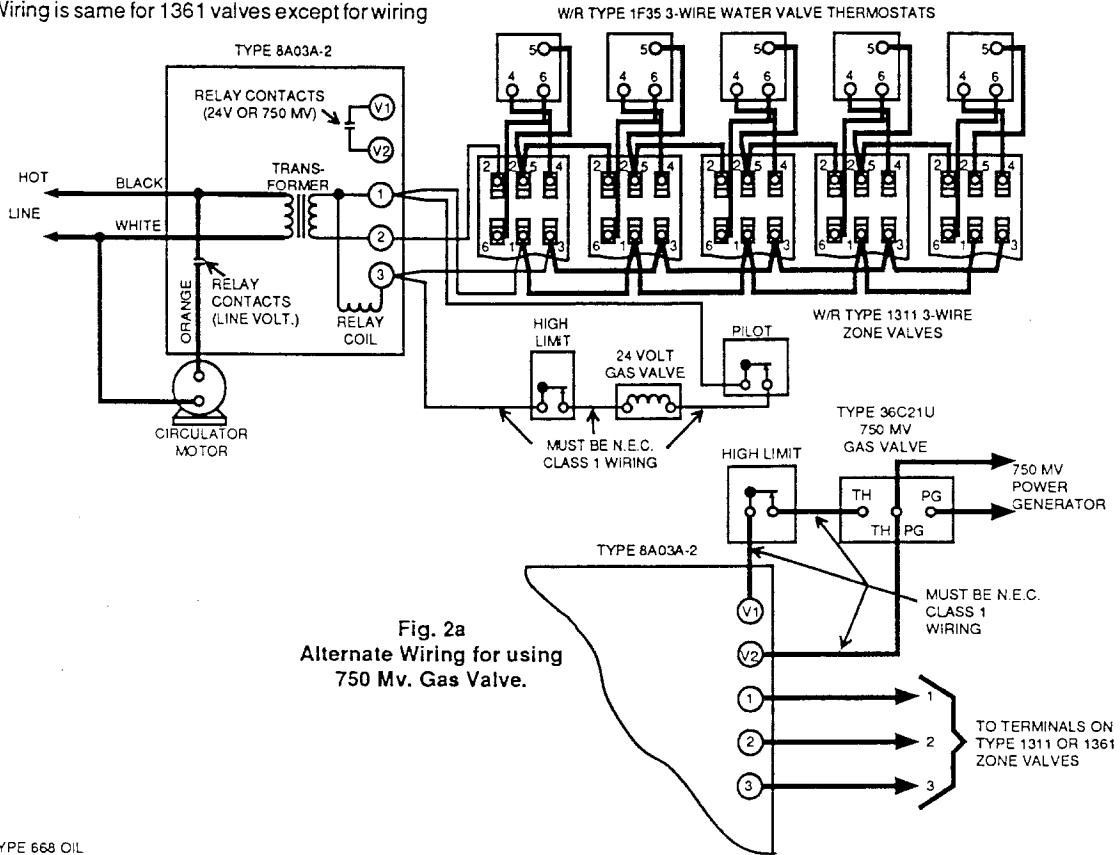


Fig. 2a
Alternate Wiring for using
750 Mv. Gas Valve.

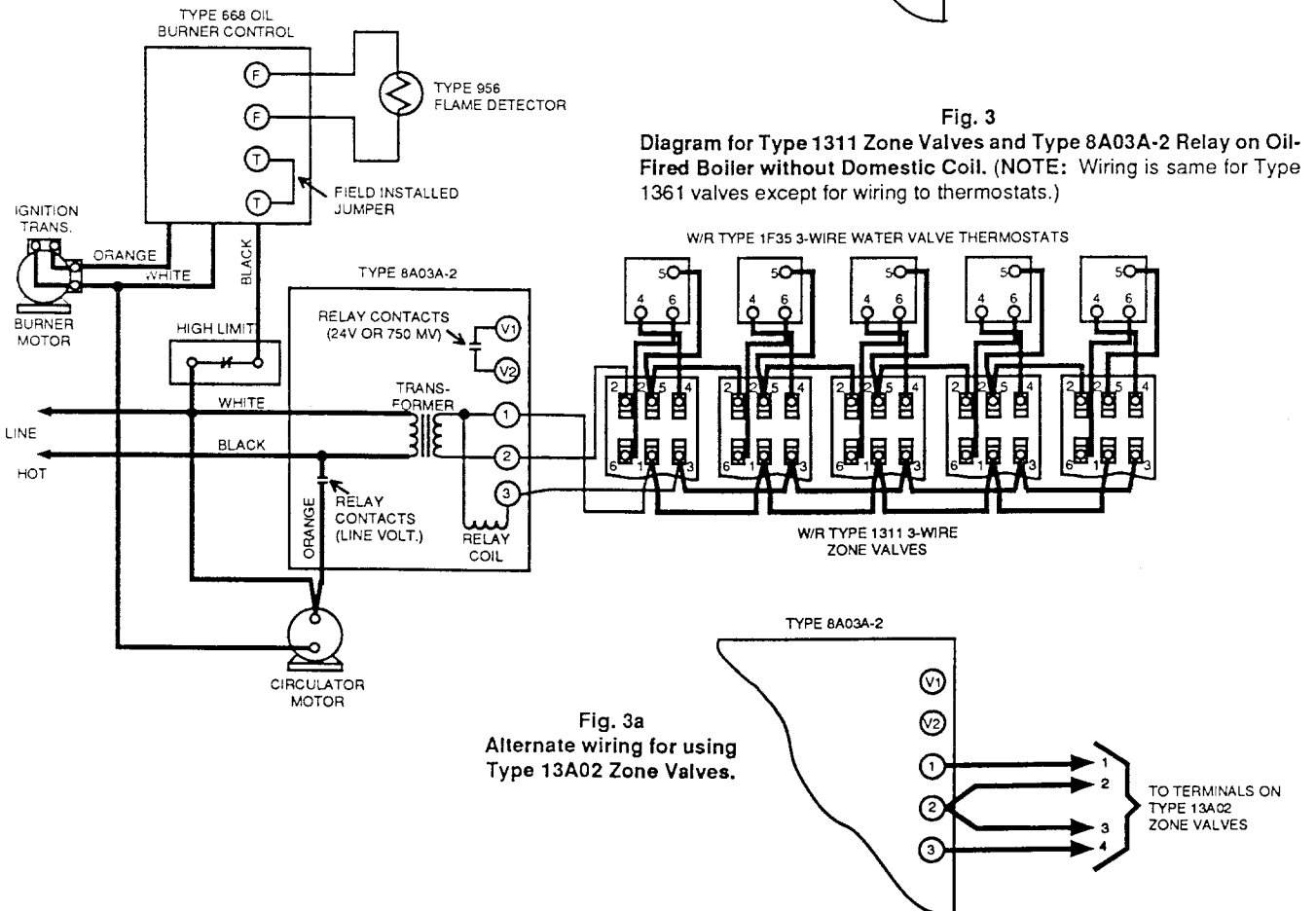


Fig. 3a
Alternate wiring for using
Type 13A02 Zone Valves.

Free Manuals Download Website

<http://myh66.com>

<http://usermanuals.us>

<http://www.somanuals.com>

<http://www.4manuals.cc>

<http://www.manual-lib.com>

<http://www.404manual.com>

<http://www.luxmanual.com>

<http://aubethermostatmanual.com>

Golf course search by state

<http://golfingnear.com>

Email search by domain

<http://emailbydomain.com>

Auto manuals search

<http://auto.somanuals.com>

TV manuals search

<http://tv.somanuals.com>