



WHITE-RODGERS

1A66/1A66W
ELECTRIC-HEAT THERMOSTAT
(Double Line Disconnect)
INSTALLATION INSTRUCTIONS

Operator: Save these instructions for future use!

FAILURE TO READ AND FOLLOW ALL INSTRUCTIONS CAREFULLY BEFORE INSTALLING OR OPERATING THIS CONTROL COULD CAUSE PERSONAL INJURY AND/OR PROPERTY DAMAGE.

The Type 1A66/1A66W Electric Heat Thermostat is designed for use on all types of electrical heating installations such as cable heat, baseboards, wall insert heaters, etc. Its narrow operating differential and the ability of its fully exposed knob to sense both radiant heat and room air temperature make this control ideal for use on such installations.

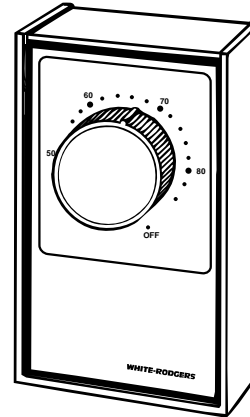
The Type 1A66/1A66W is intended for use on 240 or 277 volts where local codes require that a double line disconnect thermostat be used.

Dial Setting: Knob may be set anywhere between 40° and 85°F by simply turning knob so that indicator on knob points to the desired setting.

The knob may be turned past 40° to the "OFF" position to obtain temporary shutdown of the heating equipment for short periods of time such as on weekends, vacation, etc. Turning knob to "OFF" position will break both sides of line.

DESCRIPTION

NOTE: Only one side of line is broken during normal cycling of this thermostat.



PRECAUTIONS

This control is a precision instrument, and should be handled carefully. Rough handling or distorting components could cause the control to malfunction. **Take care not to push or damage the knob sensing element during installation.**

All wiring must conform to local and national electrical codes and ordinances.

CAUTION

To prevent electrical shock and/or equipment damage, disconnect electric power to system, at main fuse or circuit breaker box, until installation is complete.

WARNING

Do not use on circuits exceeding specified voltages. Higher voltages will damage control and could cause shock or fire hazard.

Do not use on inductive loads. Inductive (motor) loads will damage control and could cause shock or fire hazard.

SPECIFICATIONS

Switch Rating: Non-Inductive
22A (5000W) 240VAC
18A (5000W) 277VAC

Temperature Range: 40° to 85°F

Differential: 1°F

Switch Action: Open on rise

Contact Structure: Double Line Disconnect - DPST

INSTALLATION

If the heating equipment manufacturer has made provisions or recommendations for the location of this control, then follow those instructions. If not, the following suggestions should be observed.

1. The control should be mounted in the wall, approximately five feet from the floor, as near as possible to the centre of the controlled area.
2. It should be mounted on a partitioning wall, not on an outside wall.

3. It should be mounted as far as possible from undesirable sources of heat and cold such as:
 - a. Windows and doors
 - b. Direct rays from sun
 - c. Hot water or cold water pipes
 - d. Adjoining outside walls



WHITE-RODGERS DIVISION
EMERSON ELECTRIC CO.
9797 REAVIS RD., ST. LOUIS, MO. 63123
(314) 577-1300, Fax (314) 577-1517
9999 HWY. 48, MARKHAM, ONT. L3P 3J3
(905) 475-4653, FAX (905) 475-4625

Printed in U.S.A.

PART NO. 37-5428C
Replaces 37-5428B
9724

WIRING

All wiring must conform to local and national electrical codes and ordinances.

The thermostat may be mounted in any standard 2" x 3" electrical outlet box. For ease of installation use a deep type box.

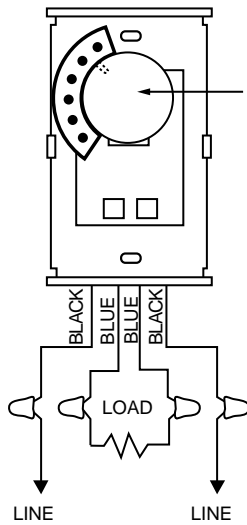
⚠ CAUTION

USE WITH COPPER CONDUCTORS ONLY.

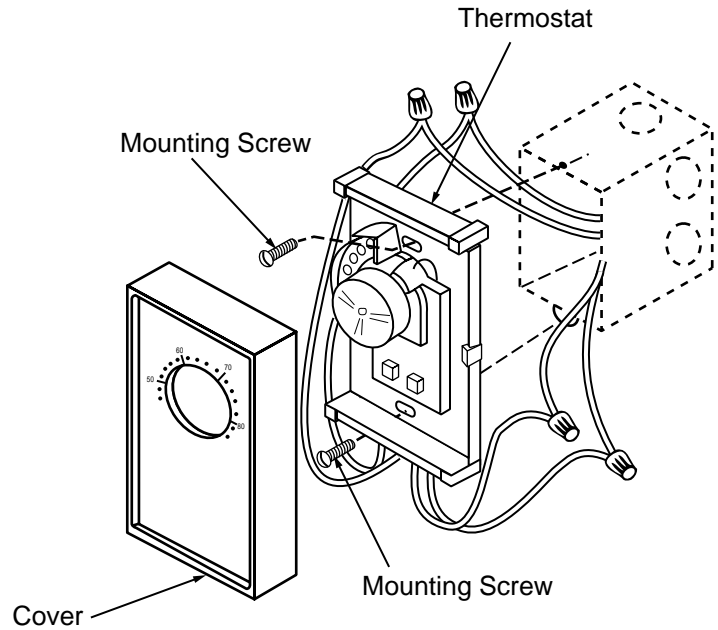
1. Make electrical connection to thermostat leads with wire nuts or other local code approved devices. All

connections must be tight.

2. Push the lead wires into the outlet box and mount the thermostat to the outlet box with screws provided. **Take care not to push or damage the knob sensing element during installation.**
3. Snap on the thermostat cover and turn knob to desired setting.



Note: Do not push on this knob because calibration will be changed if knob is bent.



Note: Breaks both sides of line in "OFF" position

Free Manuals Download Website

<http://myh66.com>

<http://usermanuals.us>

<http://www.somanuals.com>

<http://www.4manuals.cc>

<http://www.manual-lib.com>

<http://www.404manual.com>

<http://www.luxmanual.com>

<http://aubethermostatmanual.com>

Golf course search by state

<http://golfingnear.com>

Email search by domain

<http://emailbydomain.com>

Auto manuals search

<http://auto.somanuals.com>

TV manuals search

<http://tv.somanuals.com>