

# KOMATSU ZENOAH/REDMAX

## SERVICE PARTS LIST

### TRIMMER/BRUSHCUTTER

MODELS :  
**BC260DL**  
**BC260DUM**  
**BC260DWM**

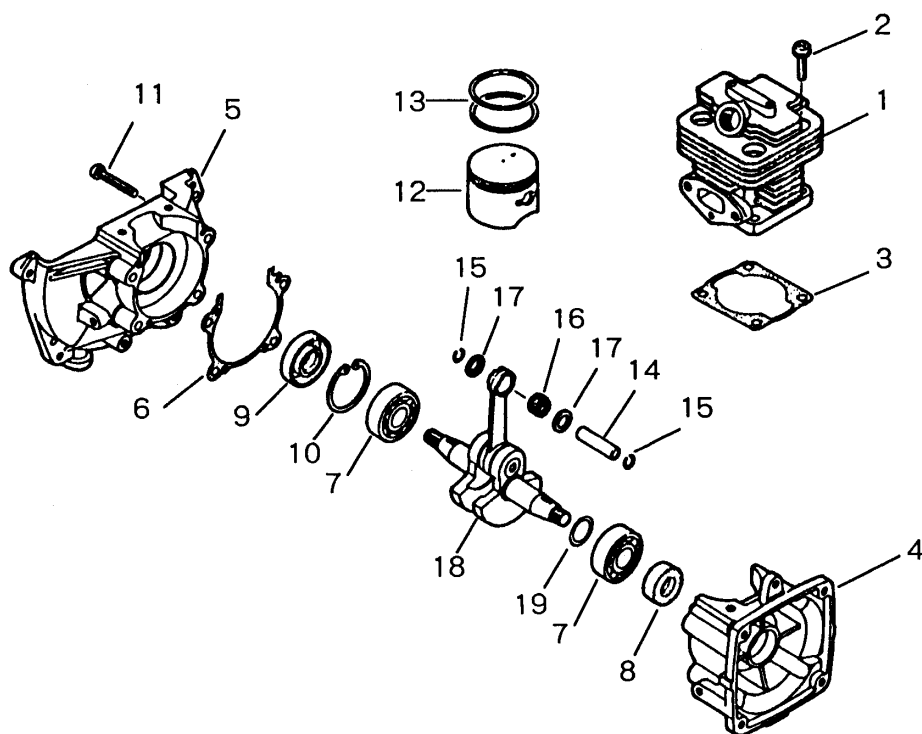
**EFFECTIVE JULY 1990**

#### CONTENTS :

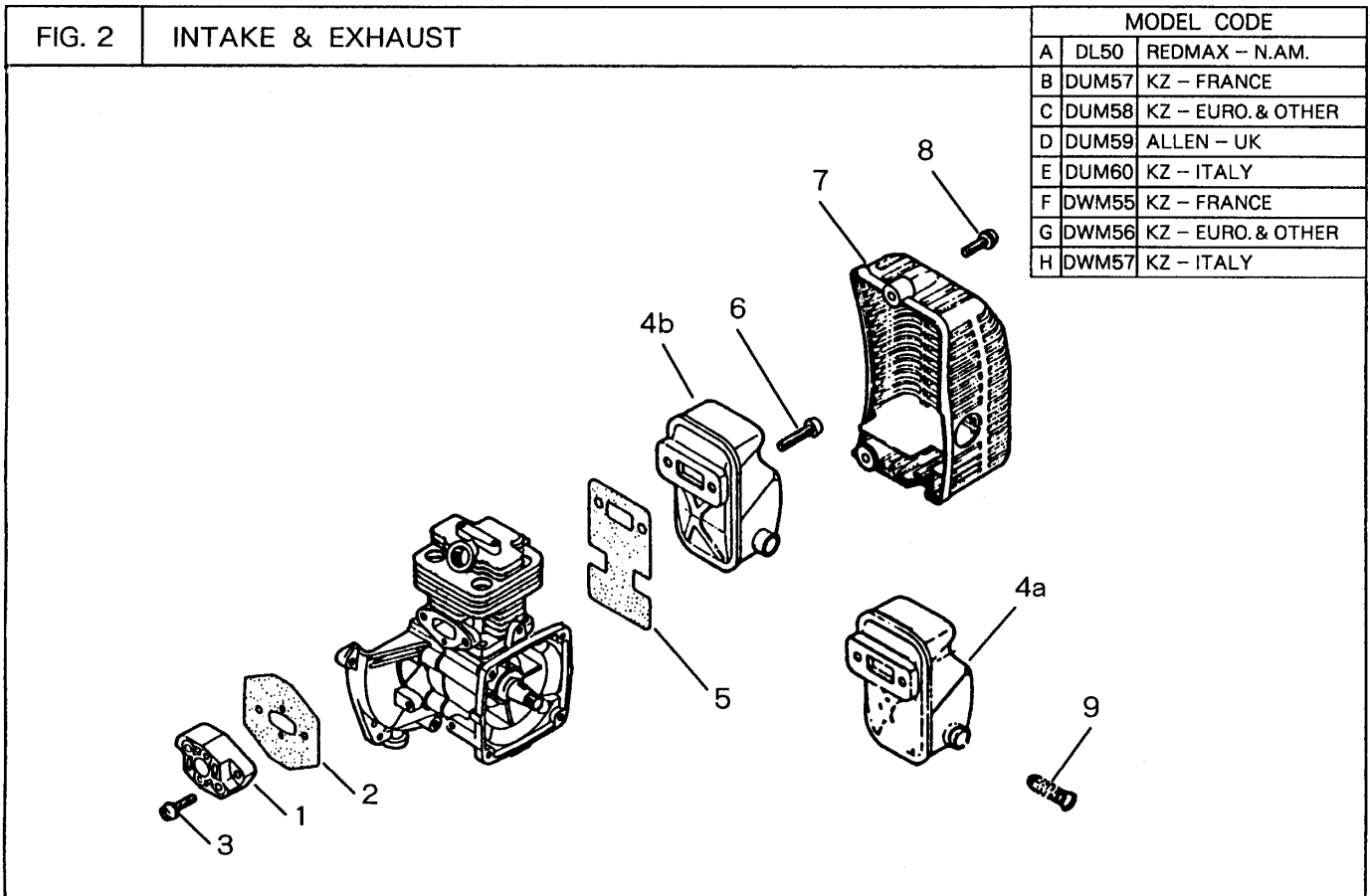
FIG. 1 .....	ENGINE BLOCK
FIG. 2 .....	INTAKE & EXHAUST
FIG. 3 .....	STARTER
FIG. 4 .....	IGNITION PARTS
FIG. 5 .....	CLUTCH & COVERS
FIG. 6 .....	THROTTLE CABLE & AIR CLEANER
FIG. 7 .....	FUEL TANK
FIG. 8 .....	CARBURETOR
FIG. 9 .....	CLUTCH HOUSING & DRIVESHAFT
FIG. 10 .....	GEARCASE
FIG. 11 .....	HANDLE GROUP (1)
FIG. 12 .....	HANDLE GROUP (2)
FIG. 13 .....	GUARD & STRAP GROUP
FIG. 14 .....	CUTTING HEAD (1)
FIG. 15 .....	CUTTING HEAD (2)
FIG. 16 .....	LABELS
FIG. 17 .....	SERVICE TOOLS

FIG. 1 ENGINE BLOCK

MODEL CODE		
A	DL50	REDMAX - N.A.M.
B	DUM57	KZ - FRANCE
C	DUM58	KZ - EURO. & OTHER
D	DUM59	ALLEN - UK
E	DUM60	KZ - ITALY
F	DWM55	KZ - FRANCE
G	DWM56	KZ - EURO. & OTHER
H	DWM57	KZ - ITALY



Index No.	Description	Part Number	Remarks	Q'ty per unit								
				A	B	C	D	E	F	G	H	
1	CYLINDER	1600 - 12111		1	1	1	1	1	1	1	1	1
2	SCREW, M5X20	1400 - 75510		4	4	4	4	4	4	4	4	4
3	GASKET	1600 - 13120		1	1	1	1	1	1	1	1	1
4	CRANKCASE COMP.	1600 - 21100	4 & 5	1	1	1	1	1	1	1	1	1
4	CRANKCASE (S)	*	* 1600 - 21100	1	1	1	1	1	1	1	1	1
5	CRANKCASE (F)	*	* 1600 - 21100	1	1	1	1	1	1	1	1	1
6	GASKET	1600 - 21140		1	1	1	1	1	1	1	1	1
7	BEARING	06030 - 06201		2	2	2	2	2	2	2	2	2
8	OIL SEAL	1100 - 21210		1	1	1	1	1	1	1	1	1
9	OIL SEAL	1650 - 21220		1	1	1	1	1	1	1	1	1
10	SNAP RING	04065 - 03212		1	1	1	1	1	1	1	1	1
11	SCREW, M5X30	0260 - 00530		4	4	4	4	4	4	4	4	4
12	PISTON	1600 - 41110		1	1	1	1	1	1	1	1	1
13	PISTON RING	1280 - 41220		2	2	2	2	2	2	2	2	2
14	PISTON PIN	1600 - 41310		1	1	1	1	1	1	1	1	1
15	SNAP RING	1260 - 41320		2	2	2	2	2	2	2	2	2
16	BEARING	1101 - 41331		1	1	1	1	1	1	1	1	1
17	THRUST WASHER	1173 - 41340		2	2	2	2	2	2	2	2	2
18	CRANKSHAFT COMP.	1600 - 42000		1	1	1	1	1	1	1	1	1
19	SHIM, T0.1mm	1140 - 43250		(1)	(1)	(1)	(1)	(1)	(1)	(1)	(1)	(1)
19	SHIM, T0.3mm	1130 - 43260		(1)	(1)	(1)	(1)	(1)	(1)	(1)	(1)	(1)

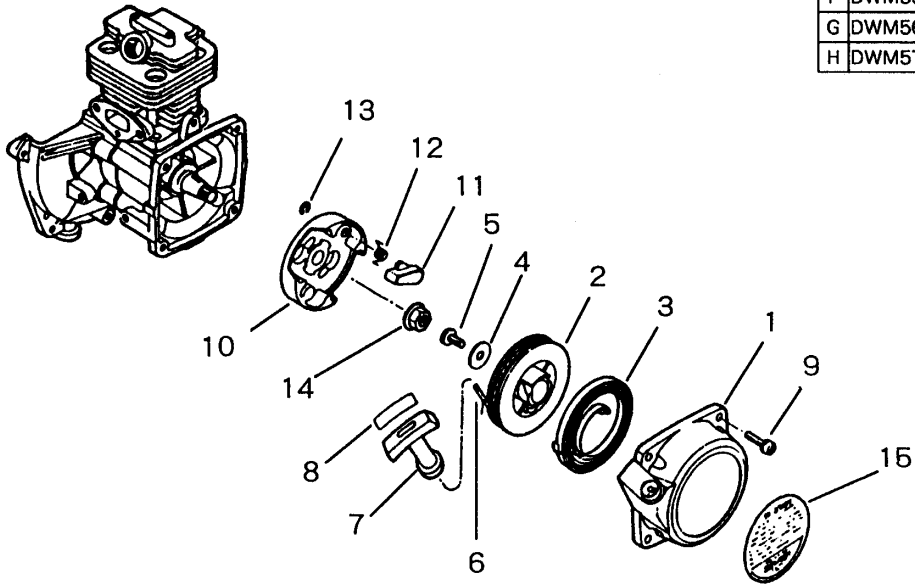


Index No.	Description	Part Number	Remarks	Q'ty per unit								
				A	B	C	D	E	F	G	H	
1	INSULATOR	1601 - 13161		1	1	1	1	1	1	1	1	1
2	GASKET	1600 - 13150		1	1	1	1	1	1	1	1	1
3	SCREW, M5X20	1400 - 75510		2	2	2	2	2	2	2	2	2
4a	MUFFLER	1601 - 15110		1	.	.	.	.	.	.	.	.
4b	MUFFLER	1600 - 15110		.	1	1	1	1	1	1	1	1
5	GASKET	1600 - 13140		1	1	1	1	1	1	1	1	1
6	SCREW	1600 - 15150		2	2	2	2	2	2	2	2	2
7	COVER, muffler	1600 - 15210		1	1	1	1	1	1	1	1	1
8	SCREW, M5X20	1400 - 75510		2	2	2	2	2	2	2	2	2
9	SPARK ARRESTER	1601 - 15120		1	.	.	.	.	.	.	.	.

. : Part not assigned for the version. ( ) : Optional part.  
 Download from [www.Somanuals.com](http://www.Somanuals.com). All Manuals Search And Download.

FIG. 3 STARTER

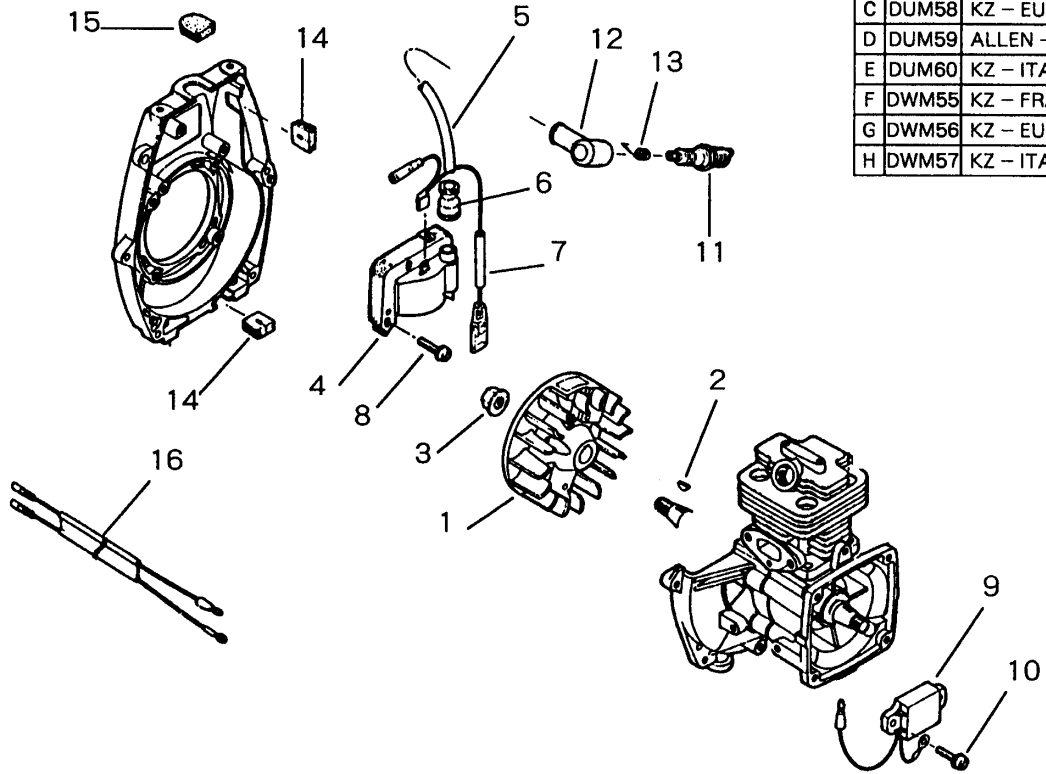
MODEL CODE		
A	DL50	REDMAX - N.A.M.
B	DUM57	KZ - FRANCE
C	DUM58	KZ - EURO. & OTHER
D	DUM59	ALLEN - UK
E	DUM60	KZ - ITALY
F	DWM55	KZ - FRANCE
G	DWM56	KZ - EURO. & OTHER
H	DWM57	KZ - ITALY



Index No.	Description	Part Number	Remarks	Q'ty per unit								
				A	B	C	D	E	F	G	H	
1	RECOIL ASSY	1600 - 75101	1 to 8	1	1	1	1	1	1	1	1	1
	CASE	*	* 1600 - 75101	1	1	1	1	1	1	1	1	1
2	REEL	1600 - 75120		1	1	1	1	1	1	1	1	1
3	SPIRAL SPRING	1600 - 75130		1	1	1	1	1	1	1	1	1
4	FLAT WASHER	1600 - 75140		1	1	1	1	1	1	1	1	1
5	SCREW	1600 - 75150		1	1	1	1	1	1	1	1	1
6	ROPE	1600 - 75160		1	1	1	1	1	1	1	1	1
7	KNOB	1140 - 75320		1	1	1	1	1	1	1	1	1
8	TAPE	1600 - 75180		1	1	1	1	1	1	1	1	1
9	SCREW, M5X20	1400 - 75510		4	4	4	4	4	4	4	4	4
10	PULLEY ASSY	1600 - 75201	10 to 13	1	1	1	1	1	1	1	1	1
	PULLEY	*	* 1600 - 75201	1	1	1	1	1	1	1	1	1
11	RATCHET	1600 - 75220		1	1	1	1	1	1	1	1	1
12	RETURN SPRING	1600 - 75230		1	1	1	1	1	1	1	1	1
13	E - RING	1034 - 72180		1	1	1	1	1	1	1	1	1
14	NUT	1650 - 43230		1	1	1	1	1	1	1	1	1
15	LABEL	1633 - 75411	REDMAX	1	.	.	.	.	.	.	.	.
15	LABEL	1602 - 75410	KOMATSU ZENOAH	.	1	1	1	1	1	1	1	1

FIG. 4 IGNITION PARTS

MODEL CODE		
A	DL50	REDMAX - N.AM.
B	DUM57	KZ - FRANCE
C	DUM58	KZ - EURO. & OTHER
D	DUM59	ALLEN - UK
E	DUM60	KZ - ITALY
F	DWM55	KZ - FRANCE
G	DWM56	KZ - EURO. & OTHER
H	DWM57	KZ - ITALY

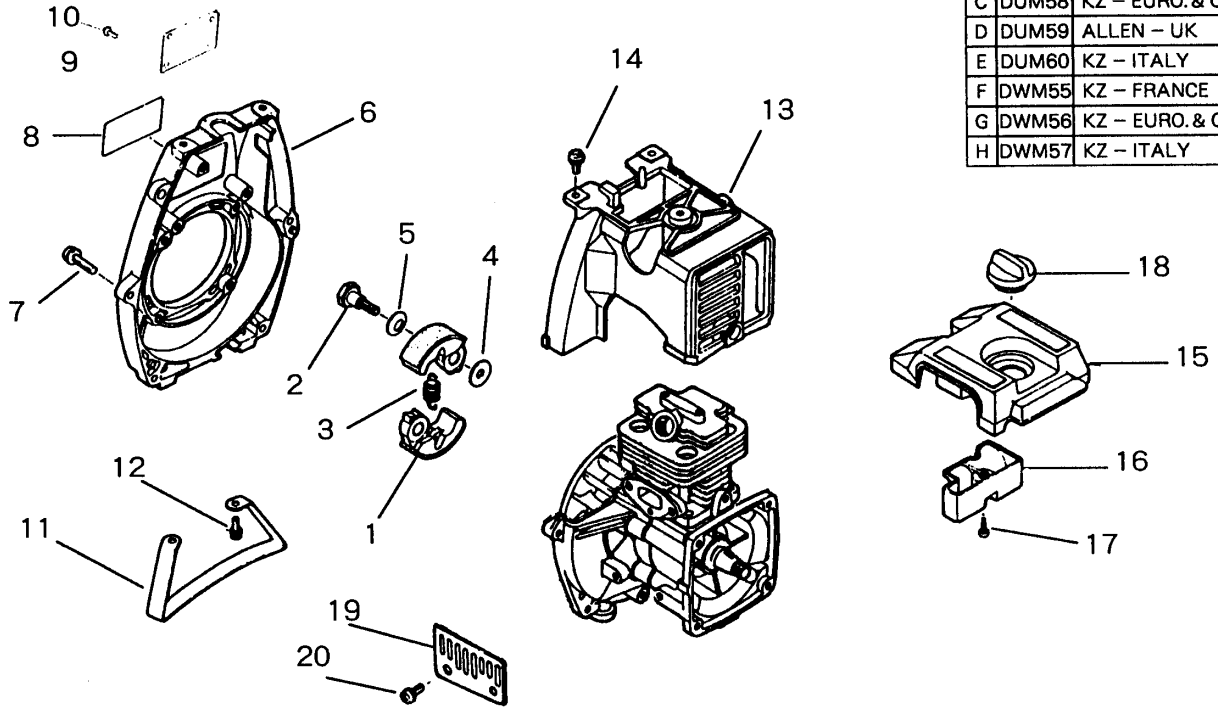


Index No.	Description	Part Number	Remarks	Q'ty per unit								
				A	B	C	D	E	F	G	H	
1	ROTOR	1600 - 71111		1	1	1	1	1	1	1	1	1
2	KEY	1000 - 43240		1	1	1	1	1	1	1	1	1
3	NUT	1650 - 43230		1	1	1	1	1	1	1	1	1
4	COIL ASS'Y	1600 - 71200	4 to 7	1	1	1	1	1	1	1	1	1
4	IGNITION COIL	*	* 1600 - 71200	1	1	1	1	1	1	1	1	1
5	CORD, high tension	1600 - 71220		1	1	1	1	1	1	1	1	1
6	CAP	1400 - 71230		1	1	1	1	1	1	1	1	1
7	CORD, primary	1600 - 71240		1	1	1	1	1	1	1	1	1
8	SCREW	1400 - 75510		3	3	3	3	3	3	3	3	3
9	CONTROL UNIT	1400 - 71311		1	1	1	1	1	1	1	1	1
10	SCREW	0260 - 30516		2	2	2	2	2	2	2	2	2
11	SPARK PLUG	1115 - 73111	Champion RCJ - 8	1	1	1	1	1	1	1	1	1
12	CAP, spark plug	1400 - 72111		1	1	1	1	1	1	1	1	1
13	SPRING, plug cap	1400 - 72121		1	1	1	1	1	1	1	1	1
14	GROMMET	1600 - 72130		2	2	2	2	2	2	2	2	2
15	GROMMET	1650 - 31150		•	1	1	1	1	1	1	1	1
15	GROMMET	1630 - 72150		1	•	•	•	•	•	•	•	•
16	CORD COMP., switch	1633 - 72910		1	•	•	•	•	•	•	•	•

FIG. 5 CLUTCH & COVERS

MODEL CODE

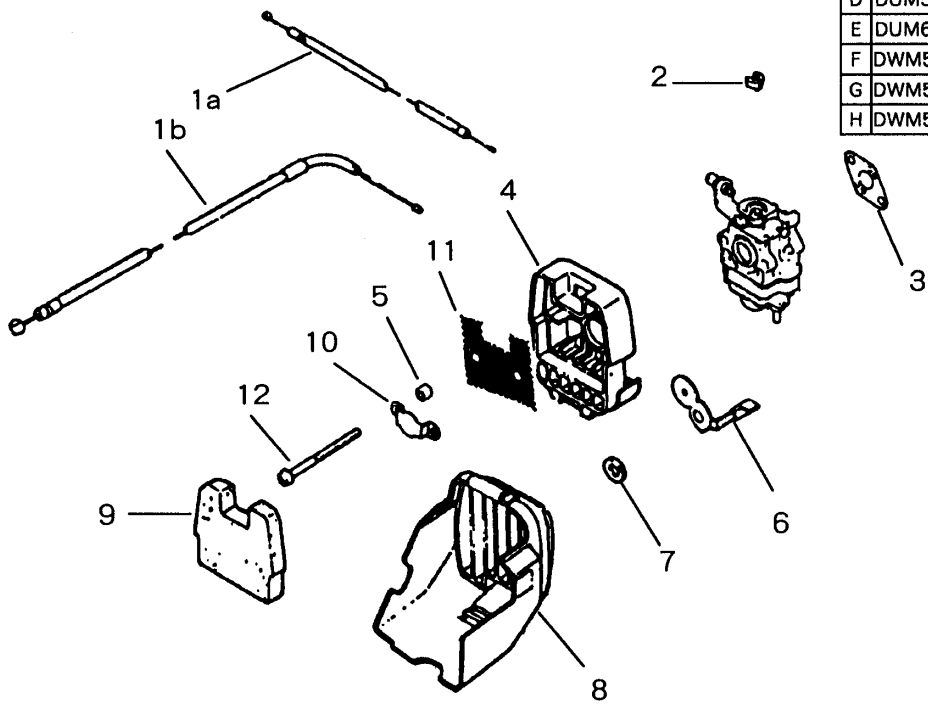
A	DL50	REDMAX - N.A.M.
B	DUM57	KZ - FRANCE
C	DUM58	KZ - EURO. & OTHER
D	DUM59	ALLEN - UK
E	DUM60	KZ - ITALY
F	DWM55	KZ - FRANCE
G	DWM56	KZ - EURO. & OTHER
H	DWM57	KZ - ITALY



Index No.	Description	Part Number	Remarks	Q'ty per unit								
				A	B	C	D	E	F	G	H	
1	SHOE, clutch	1600 - 51111		2	2	2	2	2	2	2	2	2
2	SCREW	1140 - 51250		2	2	2	2	2	2	2	2	2
3	SPRING	1600 - 51222		1	1	1	1	1	1	1	1	1
4	FLAT WASHER	1140 - 51230		2	2	2	2	2	2	2	2	2
5	WAVE WASHER	1140 - 51241		2	2	2	2	2	2	2	2	2
6	FAN COVER	1600 - 31111		1	•	1	1	1	•	1	1	1
6	FAN COVER	1608 - 31110		•	1	•	•	•	1	•	•	•
7	SCREW	0263 - 60516		4	4	4	4	4	4	4	4	4
8	LABEL	1660 - 31120		•	•	1	1	1	•	1	1	1
8	LABEL	1633 - 31120		1	•	•	•	•	•	•	•	•
9	PLATE, conformity	1609 - 31120		•	1	•	•	•	•	•	•	•
9	PLATE, conformity	1608 - 31120		•	•	•	•	•	1	•	•	•
10	RIVET	0304 - 02040		•	4	•	•	•	4	•	•	•
11	STAND	3540 - 93110		1	1	1	1	1	1	1	1	1
12	SCREW	1400 - 15510		2	2	2	2	2	2	2	2	2
13	CYLINDER COVER	1600 - 32110		1	1	1	1	1	1	1	1	1
14	SCREW	1400 - 15510		3	3	3	3	3	3	3	3	3
	HEAD COVER ASS'Y	1600 - 33100	15 to 18	1	1	1	1	1	1	1	1	1
15	COVER	1600 - 33110		1	1	1	1	1	1	1	1	1
16	BAFFLE	1600 - 33120		1	1	1	1	1	1	1	1	1
17	SCREW	1600 - 33130		1	1	1	1	1	1	1	1	1
18	KNOB	1600 - 33140		1	1	1	1	1	1	1	1	1
19	GUARD, air intake	1600 - 21310		1	1	1	1	1	1	1	1	1
20	SCREW	1400 - 15510		2	2	2	2	2	2	2	2	2

FIG. 6 THROTTLE CABLE & AIR CLEANER

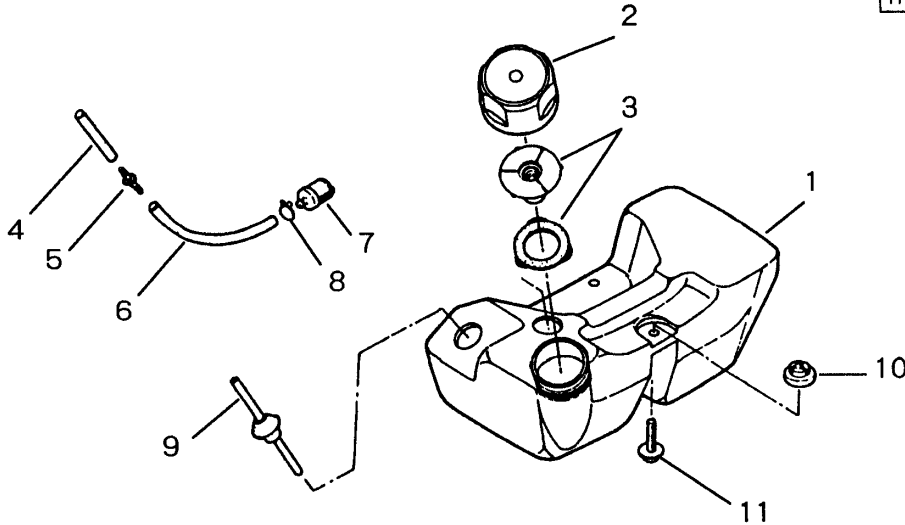
MODEL CODE		
A	DL50	REDMAX - N.A.M.
B	DUM57	KZ - FRANCE
C	DUM58	KZ - EURO. & OTHER
D	DUM59	ALLEN - UK
E	DUM60	KZ - ITALY
F	DWM55	KZ - FRANCE
G	DWM56	KZ - EURO. & OTHER
H	DWM57	KZ - ITALY



Index No.	Description	Part Number	Remarks	Q'ty per unit							
				A	B	C	D	E	F	G	H
1a	THROTTLE CABLE	1855 - 82100		1	1	1	1	1	.	.	.
1b	THROTTLE CABLE	1602 - 83100		.	.	.	.	.	1	1	1
2	CAP, cable end	1601 - 81810		1	1	1	1	1	1	1	1
3	GASKET, carburetor	1750 - 13131		1	1	1	1	1	1	1	1
4	AIR CLEANER ASS'Y	1601 - 82003	4 to 11	1	1	1	1	1	1	1	1
4	BODY ASS'Y	1601 - 82102	4 to 7	1	1	1	1	1	1	1	1
4	BODY, air cleaner	1601 - 82111		1	1	1	1	1	1	1	1
5	SLEEVE	1601 - 82120		2	2	2	2	2	2	2	2
6	SHUTTER	1601 - 82132		1	1	1	1	1	1	1	1
7	WASHER	1601 - 82140		1	1	1	1	1	1	1	1
8	COVER COMP., cleaner	1601 - 82202		1	1	1	1	1	1	1	1
9	ELEMENT, filter	1601 - 82310		1	1	1	1	1	1	1	1
10	PLATE	1601 - 82320		1	1	1	1	1	1	1	1
11	SCREEN	1601 - 82351		1	1	1	1	1	1	1	1
12	SCREW, carburetor mounting	0260 - 30560		2	2	2	2	2	2	2	2

FIG. 7 FUEL TANK

MODEL CODE		
A	DL50	REDMAX - N.A.M.
B	DUM57	KZ - FRANCE
C	DUM58	KZ - EURO. & OTHER
D	DUM59	ALLEN - UK
E	DUM60	KZ - ITALY
F	DWM55	KZ - FRANCE
G	DWM56	KZ - EURO. & OTHER
H	DWM57	KZ - ITALY



Index No.	Description	Part Number	Remarks	Q'ty per unit								
				A	B	C	D	E	F	G	H	
1	FUEL TANK ASS'Y	1601 - 85005	1 to 9	1	1	1	1	1	1	1	1	1
	TANK	*	* 1601 - 85005	1	1	1	1	1	1	1	1	1
2	FUEL CAP ASS'Y	1601 - 85200	2 & 3	1	1	1	1	1	1	1	1	1
	CAP	*	* 1601 - 85200	1	1	1	1	1	1	1	1	1
3	VALVE COMP.	1600 - 85302		1	1	1	1	1	1	1	1	1
4	PIPE ASS'Y, suction	1601 - 85403	4 to 6	1	1	1	1	1	1	1	1	1
	PIPE, outer	1601 - 85411		1	1	1	1	1	1	1	1	1
	JOINT	1260 - 85411		1	1	1	1	1	1	1	1	1
	PIPE, inner	1601 - 85432		1	1	1	1	1	1	1	1	1
7	FUEL FILTER ASS'Y	1850 - 85300		1	1	1	1	1	1	1	1	
8	CLIP	1260 - 85460		1	1	1	1	1	1	1	1	
9	PIPE ASS'Y, return	1601 - 85701		1	1	1	1	1	1	1	1	
10	WASHER	1600 - 86110		3	3	3	3	3	3	3	3	
11	SCREW	1600 - 86120		3	3	3	3	3	3	3	3	

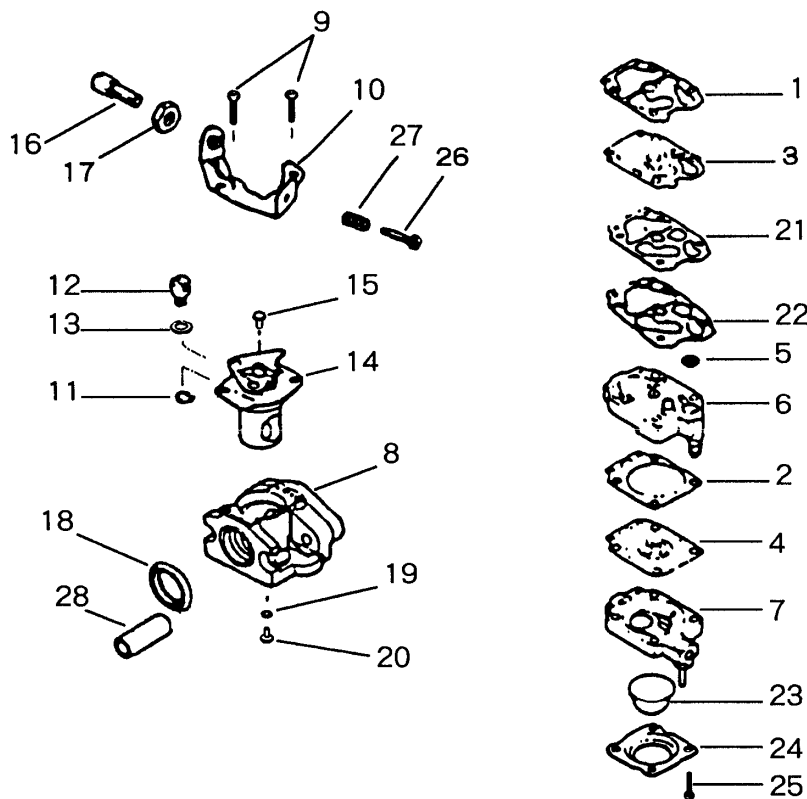
\* : Part not assigned for the version ( ): Optional part.



FIG. 8 CARBURETOR

MODEL CODE

A	DL50	REDMAX - N.A.M.
B	DUM57	KZ - FRANCE
C	DUM58	KZ - EURO. & OTHER
D	DUM59	ALLEN - UK
E	DUM60	KZ - ITALY
F	DWM55	KZ - FRANCE
G	DWM56	KZ - EURO. & OTHER
H	DWM57	KZ - ITALY

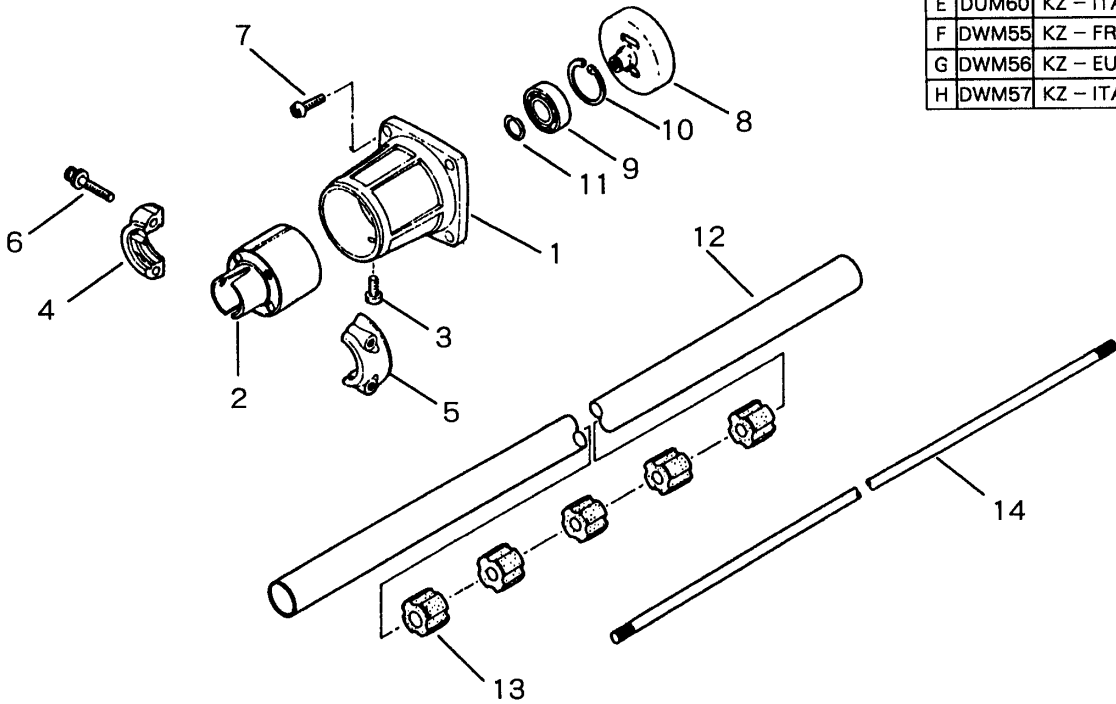


Index No.	Description	Part Number	Remarks	Q'ty per unit								
				A	B	C	D	E	F	G	H	
	CARBURETOR ASS'Y	1601 - 81000	1 to 28, Walbro WY - 4	1	1	1	1	1	1	1	1	1
	REPAIR KIT	1601 - 06030	1 to 7	1	1	1	1	1	1	1	1	1
1	GASKET, pump	1065 - 81410		1	1	1	1	1	1	1	1	1
2	GASKET, metering dphrgm	1751 - 81470		1	1	1	1	1	1	1	1	1
3	DIAPHRAGM, pump	1065 - 81420		1	1	1	1	1	1	1	1	1
4	DIAPHRAGM, metering	3310 - 81260		1	1	1	1	1	1	1	1	1
5	SCREEN, inlet	3310 - 81380		1	1	1	1	1	1	1	1	1
6	BODY ASS'Y, air purge	1891 - 81490		1	1	1	1	1	1	1	1	1
7	BODY ASS'Y, pump	1752 - 81450		1	1	1	1	1	1	1	1	1
8	MAIN BODY	*	* 1601 - 81000	1	1	1	1	1	1	1	1	1
9	SCREW	1752 - 81110		2	2	2	2	2	2	2	2	2
10	BRACKET	1751 - 81120		1	1	1	1	1	1	1	1	1
11	SNAP RING	1751 - 81130		1	1	1	1	1	1	1	1	1
12	SWIVEL	1751 - 81141		1	1	1	1	1	1	1	1	1
13	WASHER	1751 - 81190		1	1	1	1	1	1	1	1	1
14	THROTTLE VALVE ASS'Y	1065 - 81150		1	1	1	1	1	1	1	1	1
15	PLUG	1751 - 81160		1	1	1	1	1	1	1	1	1
16	ADJUSTER, cable	1601 - 81180		1	1	1	1	1	1	1	1	1
17	NUT, adjuster lock	1751 - 81180		1	1	1	1	1	1	1	1	1
18	RING, packing	1751 - 81230		1	1	1	1	1	1	1	1	1
19	O - RING	1751 - 81240		1	1	1	1	1	1	1	1	1
20	JET	1601 - 81250	# 56	1	1	1	1	1	1	1	1	1
21	PLATE, pump	1751 - 81430		1	1	1	1	1	1	1	1	1
22	GASKET, plate	1751 - 81440		1	1	1	1	1	1	1	1	1
23	PUMP, primer	1751 - 81510		1	1	1	1	1	1	1	1	1
24	COVER, primer	1751 - 81520		1	1	1	1	1	1	1	1	1
25	SCREW	1752 - 81530		4	4	4	4	4	4	4	4	4
26	SCREW, idle adjustment	1751 - 81310		1	1	1	1	1	1	1	1	1
27	SPRING	1751 - 81320		1	1	1	1	1	1	1	1	1
28	SLEEVE	1751 - 81220		2	2	2	2	2	2	2	2	2

FIG. 9 CLUTCH HOUSING & DRIVESHAFT

MODEL CODE

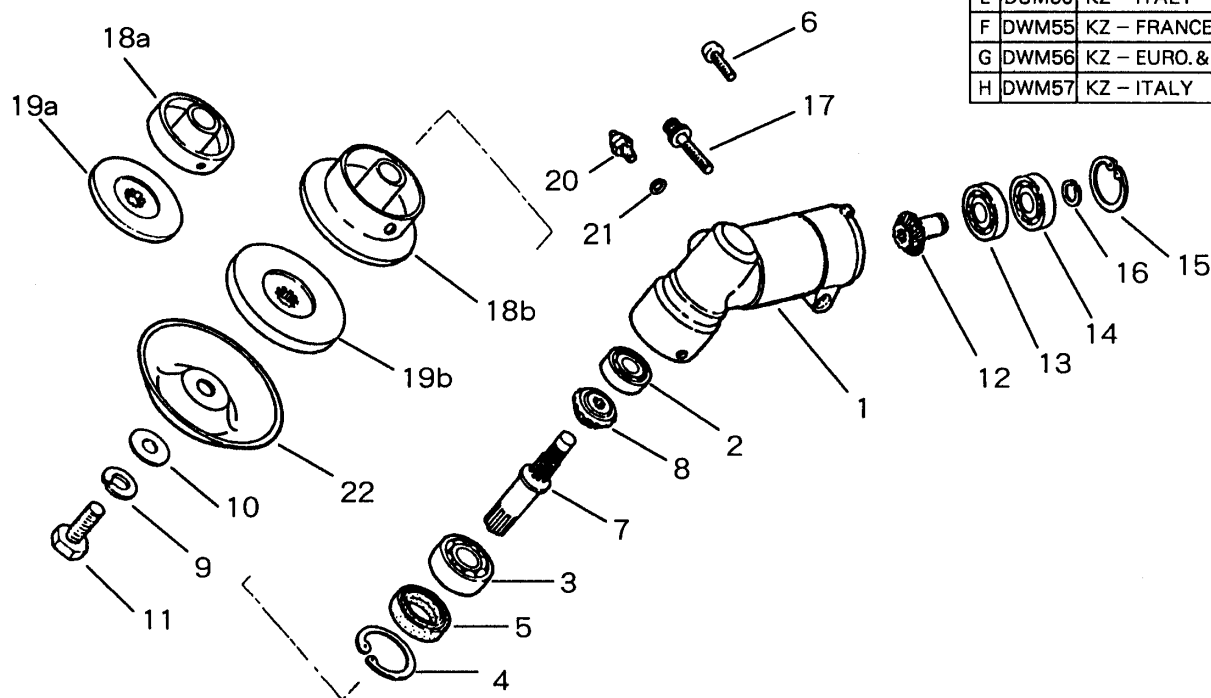
A	DL50	REDMAX - N.A.M.
B	DUM57	KZ - FRANCE
C	DUM58	KZ - EURO. & OTHER
D	DUM59	ALLEN - UK
E	DUM60	KZ - ITALY
F	DWM55	KZ - FRANCE
G	DWM56	KZ - EURO. & OTHER
H	DWM57	KZ - ITALY



Index No.	Description	Part Number	Remarks	Q'ty per unit								
				A	B	C	D	E	F	G	H	
1	HOUSING COMP.	3520 - 11101	1 to 3	1	1	1	1	1	1	1	1	1
1	HOUSING, clutch	*	* 3520 - 11101	1	1	1	1	1	1	1	1	1
2	JOINT COMP.	*	* 3520 - 11101	1	1	1	1	1	1	1	1	1
3	SCREW	0260 - 00610		1	1	1	1	1	1	1	1	1
4	CLAMP, right	3520 - 11161		1	1	1	1	1	1	1	1	1
5	CLAMP, left	3520 - 11180		1	1	1	1	1	1	1	1	1
6	BOLT	3350 - 21320		2	2	2	2	2	2	2	2	2
7	BOLT, engine mounting	0225 - 50620		4	4	4	4	4	4	4	4	4
8	DRUM, clutch	3520 - 12111		1	1	1	1	1	1	1	1	1
9	BEARING	06004 - 06001		1	1	1	1	1	1	1	1	1
10	SNAP RING	04065 - 02812		1	1	1	1	1	1	1	1	1
11	SNAP RING	3130 - 13270		1	1	1	1	1	1	1	1	1
12	PIPE COMP.	6038 - 11300		1	1	1	1	1	1	1	1	1
12	PIPE	*	* 6038 - 11300	1	1	1	1	1	1	1	1	1
13	BUSHING	3250 - 11321		5	5	5	5	5	5	5	5	5
14	SHAFT	3520 - 12212		1	1	1	1	1	1	1	1	1

FIG. 10 GEARCASE

MODEL CODE		
A	DL50	REDMAX - N.A.M.
B	DUM57	KZ - FRANCE
C	DUM58	KZ - EURO. & OTHER
D	DUM59	ALLEN - UK
E	DUM60	KZ - ITALY
F	DWM55	KZ - FRANCE
G	DWM56	KZ - EURO. & OTHER
H	DWM57	KZ - ITALY

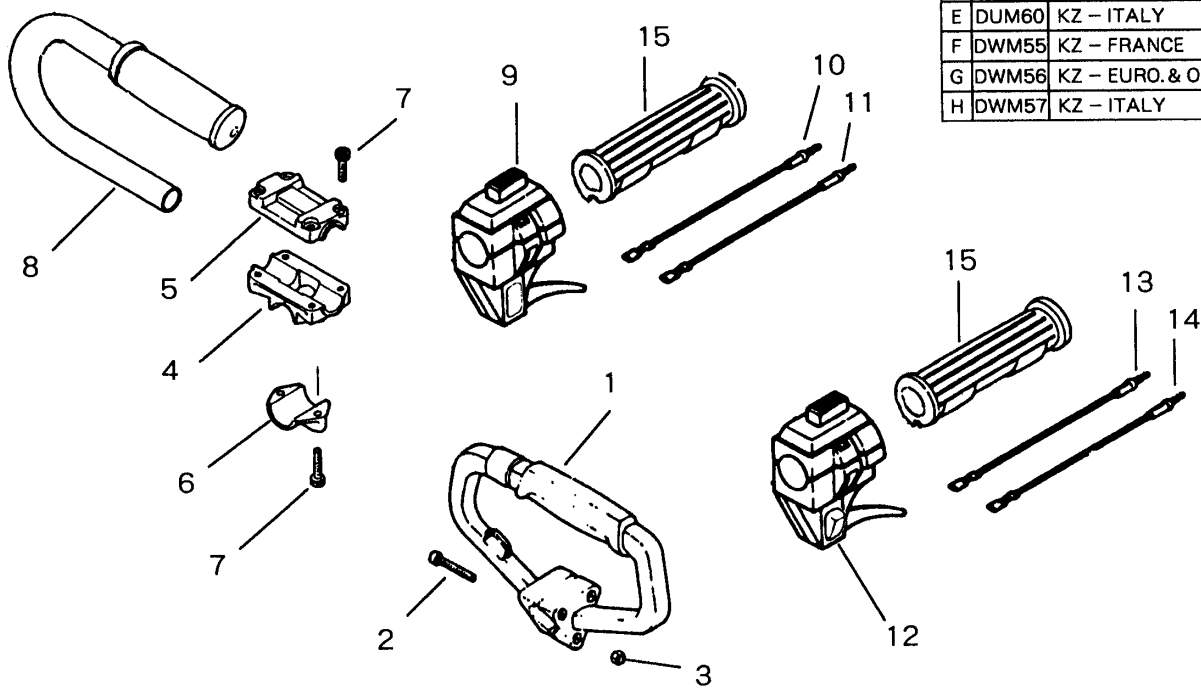


Index No.	Description	Part Number	Remarks	Q'ty per unit									
				A	B	C	D	E	F	G	H		
	GEARCASE ASS'Y	3524 - 13004	1 to 21	1	.	.	.	.	.	.	.	.	.
	GEARCASE ASS'Y	6069 - 13001	1 to 21	.	1	1	1	1	1	1	1	1	1
1	GEARCASE	*	* 3524 - 13004/606913001	1	1	1	1	1	1	1	1	1	1
2	BEARING	06000 - 00608		1	1	1	1	1	1	1	1	1	1
3	BEARING	06000 - 06001		1	1	1	1	1	1	1	1	1	1
4	SNAP RING	04065 - 02812		1	1	1	1	1	1	1	1	1	1
5	OIL SEAL	3520 - 13140		1	1	1	1	1	1	1	1	1	1
6	BOLT, M5x10	01252 - 30510		1	1	1	1	1	1	1	1	1	1
7	SHAFT, gear	3520 - 13211		1	1	1	1	1	1	1	1	1	1
8	GEAR	3520 - 13200		1	1	1	1	1	1	1	1	1	1
9	SPRING WASHER	3310 - 43210		1	1	1	1	1	1	1	1	1	1
10	FLAT WASHER	01643 - 30823		1	1	1	1	1	1	1	1	1	1
11	BOLT, blade	3579 - 33260	Left - handed	1	1	1	1	1	1	1	1	1	1
12	PINION	3520 - 13311		1	1	1	1	1	1	1	1	1	1
13	BEARING	06000 - 00609		1	1	1	1	1	1	1	1	1	1
14	BEARING	06001 - 00609	Semi - sealed	1	1	1	1	1	1	1	1	1	1
15	SNAP RING	04065 - 02412		1	1	1	1	1	1	1	1	1	1
16	SNAP RING	3210 - 13330		1	1	1	1	1	1	1	1	1	1
17	BOLT	3350 - 21320		1	1	1	1	1	1	1	1	1	1
18a	HOLDER (A)	3520 - 13240		1	.	.	.	.	.	.	.	.	.
18b	HOLDER (A)	6069 - 13240		.	1	1	1	1	1	1	1	1	1
19a	HOLDER (B)	3541 - 13251		1	.	.	.	.	.	.	.	.	.
19b	HOLDER (B)	6253 - 13250		.	1	1	1	1	1	1	1	1	1
20	FITTING, grease	3199 - 13350		1	1	1	1	1	1	1	1	1	1
21	FLAT WASHER	01641 - 20608		1	1	1	1	1	1	1	1	1	1
22	COVER, blade bolt	6251 - 15910		(1)	1	1	1	1	1	1	1	1	1

. : Part not assigned for the version. ( ) : Optional part.

FIG. 11 HANDLE GROUP (1)

MODEL CODE		
A	DL50	REDMAX – N.AM.
B	DUM57	KZ – FRANCE
C	DUM58	KZ – EURO. & OTHER
D	DUM59	ALLEN – UK
E	DUM60	KZ – ITALY
F	DWM55	KZ – FRANCE
G	DWM56	KZ – EURO. & OTHER
H	DWM57	KZ – ITALY



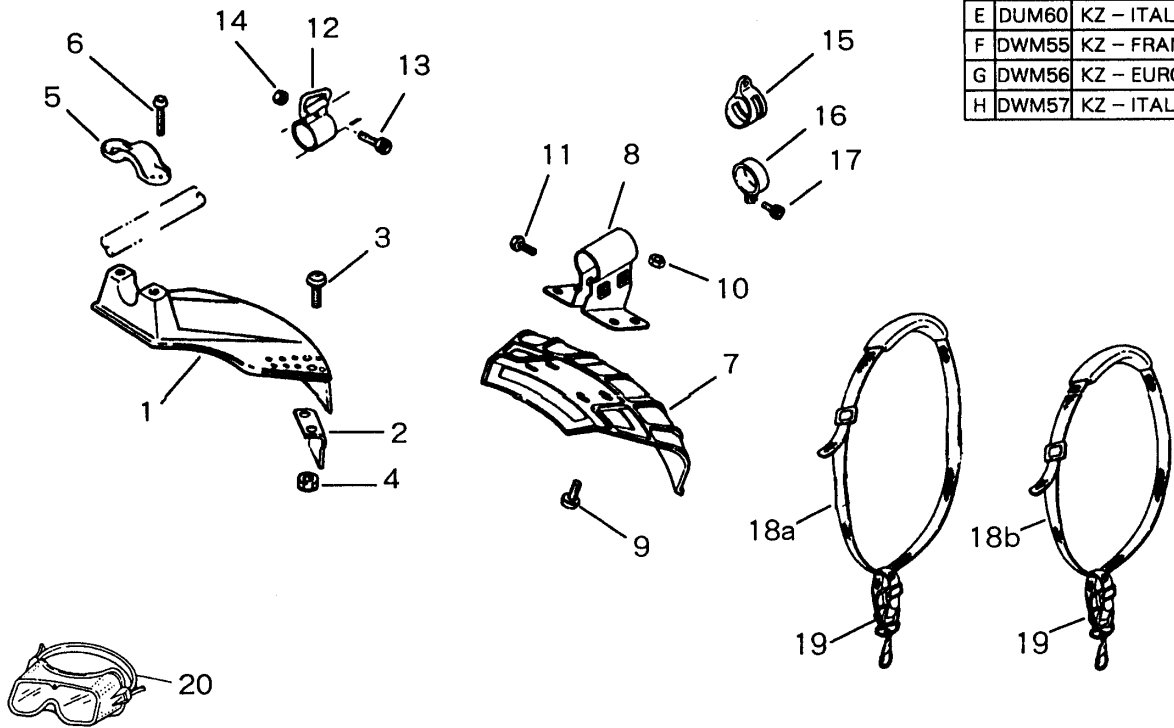
Index No.	Description	Part Number	Remarks	Q'ty per unit									
				A	B	C	D	E	F	G	H		
	HANDLE ASS'Y	3516 – 14300	1 to 3	1	.	.	.	.	.	.	.	.	.
1	HANDLE	*	* 3516 – 14300	1	.	.	.	.	.	.	.	.	.
2	SCREW	0260 – 00530		3	.	.	.	.	.	.	.	.	.
3	NUT	0280 – 10504		3	.	.	.	.	.	.	.	.	.
	BRACKET ASS'Y	3257 – 14101	4 to 7	.	1	1	1	1	.	.	.	.	.
4	BRACKET, handle	3257 – 14111		.	1	1	1	1	.	.	.	.	.
5	CAP, upper	3257 – 14151		.	1	1	1	1	.	.	.	.	.
6	CAP, lower	3257 – 14122		.	1	1	1	1	.	.	.	.	.
7	BOLT, M5x22	01252 – 30522		.	6	6	6	6	.	.	.	.	.
8	HANDLE COMP.	3570 – 92210		.	1	1	1	1	.	.	.	.	.
	LEVER ASS'Y	6041 – 12300	9 to 11	1	.	.	.	.	.	.	.	.	.
9	LEVER, throttle	6041 – 12400		1	.	.	.	.	.	.	.	.	.
10	CORD (A)	6116 – 14420	Black	1	.	.	.	.	.	.	.	.	.
11	CORD (B)	6116 – 14430	Red	1	.	.	.	.	.	.	.	.	.
	LEVER COMP.	3525 – 14400	12 to 14	.	1	1	1	1	.	.	.	.	.
12	LEVER, throttle	3525 – 14410		.	1	1	1	1	.	.	.	.	.
13	CORD (A)	3525 – 14420	Black	.	1	1	1	1	.	.	.	.	.
14	CORD (B)	3525 – 14430	Red	.	1	1	1	1	.	.	.	.	.
15	GRIP	3577 – 32140		1	1	1	1	1	.	.	.	.	.

. : Part not assigned for the version ( ) : Optional part

FIG. 13 GUARD & STRAP GROUP

MODEL CODE

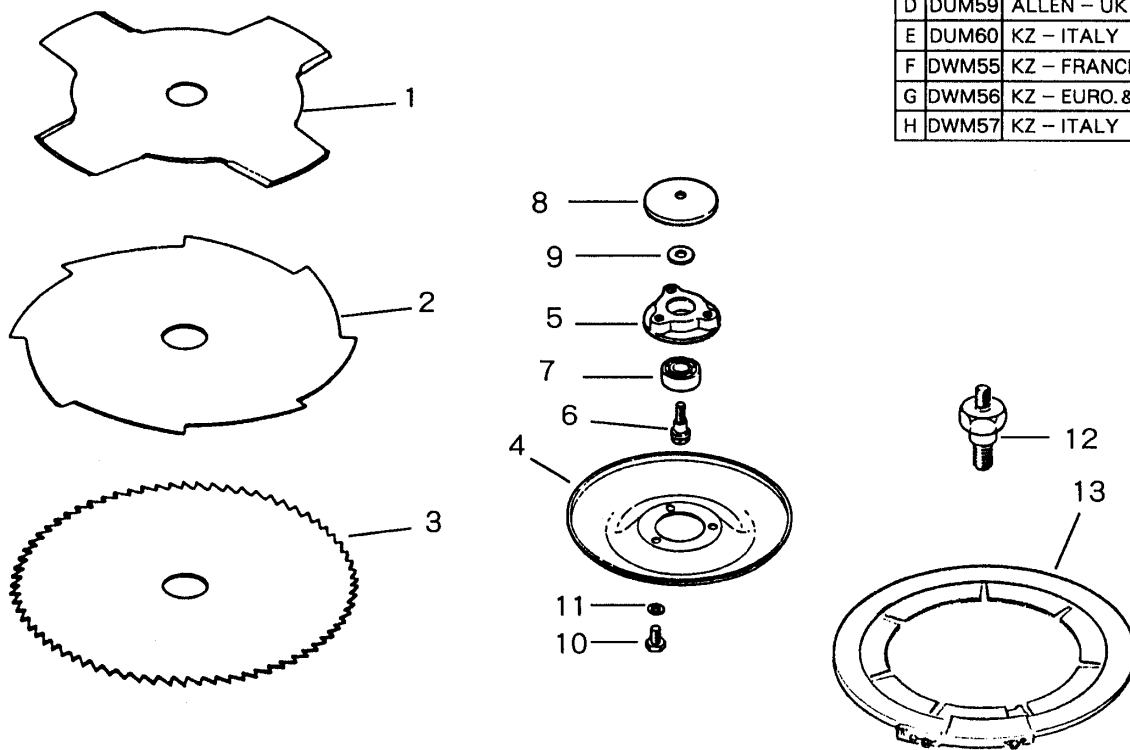
A	DL50	REDMAX - N.A.M.
B	DUM57	KZ - FRANCE
C	DUM58	KZ - EURO. & OTHER
D	DUM59	ALLEN - UK
E	DUM60	KZ - ITALY
F	DWM55	KZ - FRANCE
G	DWM56	KZ - EURO. & OTHER
H	DWM57	KZ - ITALY



Index No.	Description	Part Number	Remarks	Q'ty per unit									
				A	B	C	D	E	F	G	H		
1	GUARD ASS'Y	6041 - 24000	1 to 6	1	.	.	.	.	.	.	.	.	.
	GUARD, debris	6041 - 24110		1	.	.	.	.	.	.	.	.	.
2	BLADE	6041 - 24140		1	.	.	.	.	.	.	.	.	.
3	SCREW, M5x12	0263 - 30512		2	.	.	.	.	.	.	.	.	.
4	NUT	3320 - 15310		2	.	.	.	.	.	.	.	.	.
5	CLAMP	3520 - 24120		1	.	.	.	.	.	.	.	.	.
6	BOLT	3540 - 24130		2	.	.	.	.	.	.	.	.	.
7	GUARD ASS'Y	3250 - 24001	7 to 11	.	1	1	1	1	1	1	1	1	1
	GUARD	3231 - 24114		.	1	1	1	1	1	1	1	1	1
8	BRACKET	3250 - 24120		.	1	1	1	1	1	1	1	1	1
9	SCREW	0260 - 30614		.	4	4	4	4	4	4	4	4	4
10	NUT	0280 - 10605		.	4	4	4	4	4	4	4	4	4
11	BOLT	0225 - 10620		.	2	2	2	2	2	2	2	2	2
12	HANGER COMP.	3520 - 17110		1	.	.	.	.	.	.	.	.	.
13	BOLT, M5x10	01252 - 30510		1	.	.	.	.	.	.	.	.	.
14	NUT	0280 - 10504		1	.	.	.	.	.	.	.	.	.
15	HANGER	6130 - 18100		.	1	1	1	1	1	1	1	1	1
16	CLAMP	6130 - 18200		.	1	1	1	1	1	1	1	1	1
17	SCREW	0263 - 90520		.	1	1	1	1	1	1	1	1	1
18a	STRAP ASS'Y	6041 - 17202	18a & 19	1	.	.	.	.	.	.	.	.	.
	STRAP & HOOK ASS'Y	*	* 6041 - 17201	1	.	.	.	.	.	.	.	.	.
19	CUSHION	3146 - 17251		1	1	1	1	1	1	1	1	1	1
18b	STRAP ASS'Y	3520 - 96404	18b & 19	.	1	1	1	1	1	1	1	1	1
	STRAP & HOOK ASS'Y	*	* 3520 - 96403	.	1	1	1	1	1	1	1	1	1
19	CUSHION	3146 - 17251		1	1	1	1	1	1	1	1	1	1
20	GOGGLE	6242 - 92110		1	(1)	(1)	(1)	(1)	(1)	(1)	(1)	(1)	(1)

FIG. 14 CUTTING HEAD (1)

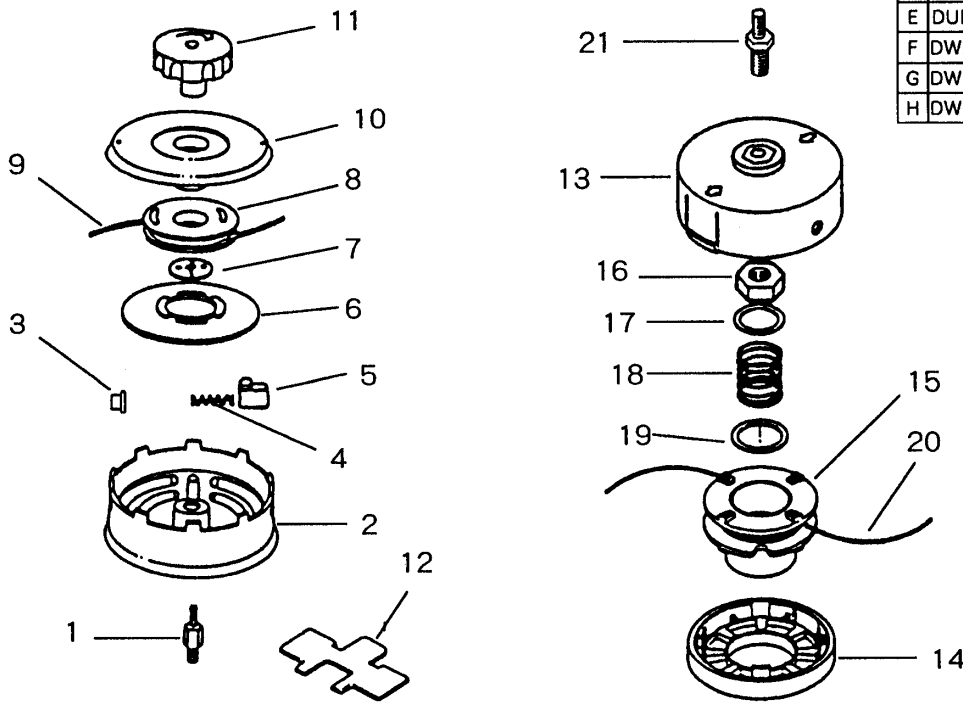
MODEL CODE		
A	DL50	REDMAX - N.A.M.
B	DUM57	KZ - FRANCE
C	DUM58	KZ - EURO. & OTHER
D	DUM59	ALLEN - UK
E	DUM60	KZ - ITALY
F	DWM55	KZ - FRANCE
G	DWM56	KZ - EURO. & OTHER
H	DWM57	KZ - ITALY



Index No.	Description	Part Number	Remarks	Q'ty per unit								
				A	B	C	D	E	F	G	H	
1	BLADE, 4 - toothed	6299 - 14240	OD : 230mm	(1)	(1)	(1)	(1)	(1)	(1)	(1)	(1)	1
2	BLADE, 8 - toothed	6299 - 15240	OD : 230mm	(1)	1	1	1	(1)	1	1	(1)	(1)
3	BLADE, 80 - toothed	6299 - 11210	OD : 230mm	(1)	(1)	(1)	(1)	1	(1)	(1)	(1)	1
4	STABILIZER SS'Y	6016 - 92500	4 to 11	(1)	(1)	(1)	(1)	1	(1)	(1)	(1)	1
4	STABILIZER	3130 - 15312		(1)	(1)	(1)	(1)	1	(1)	(1)	(1)	1
5	HOLDER	3530 - 15331		(1)	(1)	(1)	(1)	1	(1)	(1)	(1)	1
6	SHAFT	3530 - 15353		(1)	(1)	(1)	(1)	1	(1)	(1)	(1)	1
7	BEARING	06004 - 06003		(1)	(1)	(1)	(1)	1	(1)	(1)	(1)	1
8	COVER	3530 - 15370		(1)	(1)	(1)	(1)	1	(1)	(1)	(1)	1
9	SPACER	3530 - 15380		(1)	(1)	(1)	(1)	1	(1)	(1)	(1)	1
10	BOLT, M6x12	0212 - 50612		(3)	(3)	(3)	(3)	3	(3)	(3)	(3)	3
11	SPRING WASHER	0290 - 20615		(3)	(3)	(3)	(3)	3	(3)	(3)	(3)	3
12	ADAPTER	3524 - 26130		(1)	1	1	1	1	1	1	1	1
13	COVER, blade	6251 - 15910		(1)	1	1	1	1	1	1	1	1

FIG. 15 CUTTING HEAD (2)

MODEL CODE		
A	DL50	REDMAX - N.A.M.
B	DUM57	KZ - FRANCE
C	DUM58	KZ - EURO. & OTHER
D	DUM59	ALLEN - UK
E	DUM60	KZ - ITALY
F	DWM55	KZ - FRANCE
G	DWM56	KZ - EURO. & OTHER
H	DWM57	KZ - ITALY

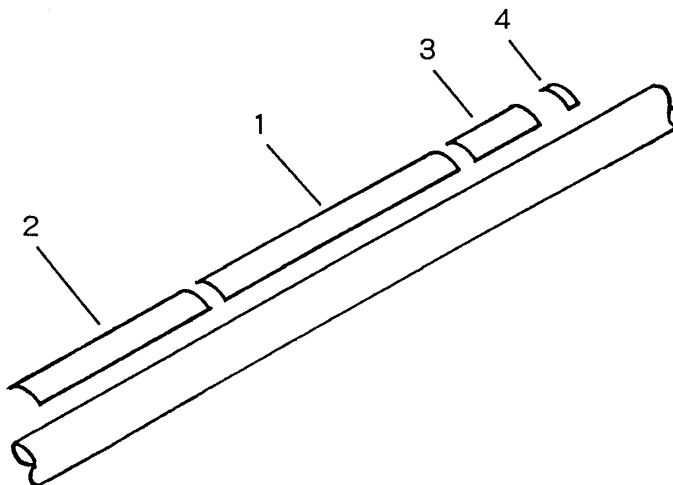


Index No.	Description	Part Number	Remarks	Q'ty per unit								
				A	B	C	D	E	F	G	H	
	FULL - AUTO HEAD KIT	6232 - 15003	1 to 12	1	(1)	(1)	(1)	(1)	(1)	(1)	(1)	(1)
	HEAD ASS'Y	6232 - 99002	1 to 11	1	(1)	(1)	(1)	(1)	(1)	(1)	(1)	(1)
1	ADAPTER	6232 - 15110	M8,L.H.	1	(1)	(1)	(1)	(1)	(1)	(1)	(1)	(1)
2	HOUSING, spool	6232 - 15210		1	(1)	(1)	(1)	(1)	(1)	(1)	(1)	(1)
3	EYELET	6232 - 15221		2	(2)	(2)	(2)	(2)	(2)	(2)	(2)	(2)
4	SPRING, cam	6232 - 15320	Red (soft)	4	(4)	(4)	(4)	(4)	(4)	(4)	(4)	(4)
4	SPRING, cam	6232 - 15310	White (very soft)	(4)	(4)	(4)	(4)	(4)	(4)	(4)	(4)	(4)
4	SPRING, cam	6232 - 15330	Silver (hard)	(4)	(4)	(4)	(4)	(4)	(4)	(4)	(4)	(4)
4	SPRING, cam	6232 - 15340	Yellow (very hard)	(4)	(4)	(4)	(4)	(4)	(4)	(4)	(4)	(4)
5	SLIDE, cam	6232 - 15350		4	(4)	(4)	(4)	(4)	(4)	(4)	(4)	(4)
6	DISK, cam	6232 - 15360		1	(1)	(1)	(1)	(1)	(1)	(1)	(1)	(1)
7	FLAT NUT	6232 - 15120		1	(1)	(1)	(1)	(1)	(1)	(1)	(1)	(1)
8	SPOOL	6232 - 15410		1	(1)	(1)	(1)	(1)	(1)	(1)	(1)	(1)
9	CORD	6232 - 15420	.090"x16.4ft	1	(1)	(1)	(1)	(1)	(1)	(1)	(1)	(1)
10	COVER	6232 - 15231		1	(1)	(1)	(1)	(1)	(1)	(1)	(1)	(1)
11	KNOB	6232 - 15240		1	(1)	(1)	(1)	(1)	(1)	(1)	(1)	(1)
12	WRENCH	6232 - 15510		1	(1)	(1)	(1)	(1)	(1)	(1)	(1)	(1)
	SEMI - AUTO HEAD ASS'Y	3550 - 99100	16 to 23	(1)	(1)	(1)	(1)	(1)	(1)	(1)	(1)	(1)
13	CASE (A)	3231 - 99111		(1)	(1)	(1)	(1)	(1)	(1)	(1)	(1)	(1)
14	CASE (B)	3231 - 99131		(1)	(1)	(1)	(1)	(1)	(1)	(1)	(1)	(1)
15	HOLDER, line	3231 - 99140		(1)	(1)	(1)	(1)	(1)	(1)	(1)	(1)	(1)
16	NUT	3550 - 99120	M10, L.H.	(1)	(1)	(1)	(1)	(1)	(1)	(1)	(1)	(1)
17	PLATE	3268 - 15150		(1)	(1)	(1)	(1)	(1)	(1)	(1)	(1)	(1)
18	SPRING	3268 - 15160		(1)	(1)	(1)	(1)	(1)	(1)	(1)	(1)	(1)
19	PLATE	3268 - 15170		(1)	(1)	(1)	(1)	(1)	(1)	(1)	(1)	(1)
20	LINE	3268 - 15180	2.1mmx5m	(1)	(1)	(1)	(1)	(1)	(1)	(1)	(1)	(1)
21	SHAFT, adapter	3550 - 99220	M8, L.H.	(1)	(1)	(1)	(1)	(1)	(1)	(1)	(1)	(1)

FIG. 16

LABELS

MODEL CODE		
A	DL50	REDMAX - N.AM.
B	DUM57	KZ - FRANCE
C	DUM58	KZ - EURO. & OTHER
D	DUM59	ALLEN - UK
E	DUM60	KZ - ITALY
F	DWM55	KZ - FRANCE
G	DWM56	KZ - EURO. & OTHER
H	DWM57	KZ - ITALY



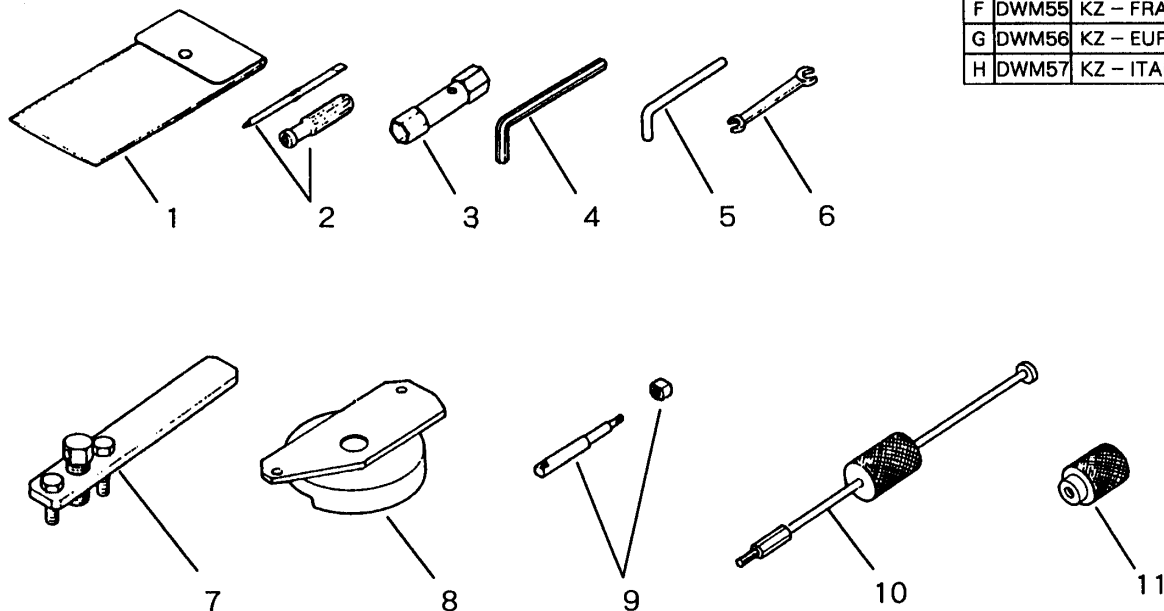
Index No.	Description	Part Number	Remarks	Qty per unit								
				A	B	C	D	E	F	G	H	
1	PLATE, model name	6041 - 11512		1	.	.	.	.	.	.	.	.
1	PLATE, model name	3524 - 11511		.	1	1	.	1	.	.	.	.
1	PLATE, model name	3524 - 11534		.	.	.	1	.	.	.	.	.
1	PLATE, model name	3525 - 11521		.	.	.	.	.	1	1	1	1
2	PLATE, caution	3554 - 11520		1	.	.	.	.	.	.	.	.
2	PLATE, caution	3975 - 12521		.	1	1	1	1	1	1	1	1
3	PLATE, caution	6068 - 12610		.	1	.	.	.	1	.	.	.
4	PLATE, positioning	3553 - 11551		1	1	1	1	1	1	1	1	1

. : Part not assigned for the version. ( ) : Optional part.



FIG. 17 SERVICE TOOLS

MODEL CODE		
A	DL50	REDMAX - N.A.M.
B	DUM57	KZ - FRANCE
C	DUM58	KZ - EURO. & OTHER
D	DUM59	ALLEN - UK
E	DUM60	KZ - ITALY
F	DWM55	KZ - FRANCE
G	DWM56	KZ - EURO. & OTHER
H	DWM57	KZ - ITALY



Index No.	Description	Part Number	Remarks	Q'ty per unit								
				A	B	C	D	E	F	G	H	
	TOOL SET	3520 - 91000	1 to 6	1	1	1	1	1	1	1	1	1
1	BAG	1030 - 91112		1	1	1	1	1	1	1	1	1
2	SCREWDRIVER	1030 - 91340		1	1	1	1	1	1	1	1	1
3	SOCKET, 13x19	3239 - 91310		1	1	1	1	1	1	1	1	1
4	WRENCH	09007 - 00425		1	1	1	1	1	1	1	1	1
5	BAR	3540 - 91110		1	1	1	1	1	1	1	1	1
6	SPANNER, 8x10	3540 - 91120		1	1	1	1	1	1	1	1	1
7	PULLER ASS'Y, rotor	1600 - 96100		(1)	(1)	(1)	(1)	(1)	(1)	(1)	(1)	(1)
8	SET BLOCK, coil	1600 - 96210		(1)	(1)	(1)	(1)	(1)	(1)	(1)	(1)	(1)
9	ROD ASS'Y, piston pin	1600 - 96300		(1)	(1)	(1)	(1)	(1)	(1)	(1)	(1)	(1)
10	PULLER COMP., gear shaft	3520 - 96100		(1)	(1)	(1)	(1)	(1)	(1)	(1)	(1)	(1)
11	BLOCK, pinion	3520 - 96150		(1)	(1)	(1)	(1)	(1)	(1)	(1)	(1)	(1)

## Free Manuals Download Website

<http://myh66.com>

<http://usermanuals.us>

<http://www.somanuals.com>

<http://www.4manuals.cc>

<http://www.manual-lib.com>

<http://www.404manual.com>

<http://www.luxmanual.com>

<http://aubethermostatmanual.com>

Golf course search by state

<http://golfingnear.com>

Email search by domain

<http://emailbydomain.com>

Auto manuals search

<http://auto.somanuals.com>

TV manuals search

<http://tv.somanuals.com>