



PARTS LIST

BRUSHCUTTERS

BC3400DLM

BC3400DWM

BC4300DLM

BC4300DWM

APPLICABLE SERIAL NUMBERS:

DRIVE UNIT 900101 and up

ENGINE UNIT 800101 and up

JANUARY 1999

Fig.1 CUTTER GROUP

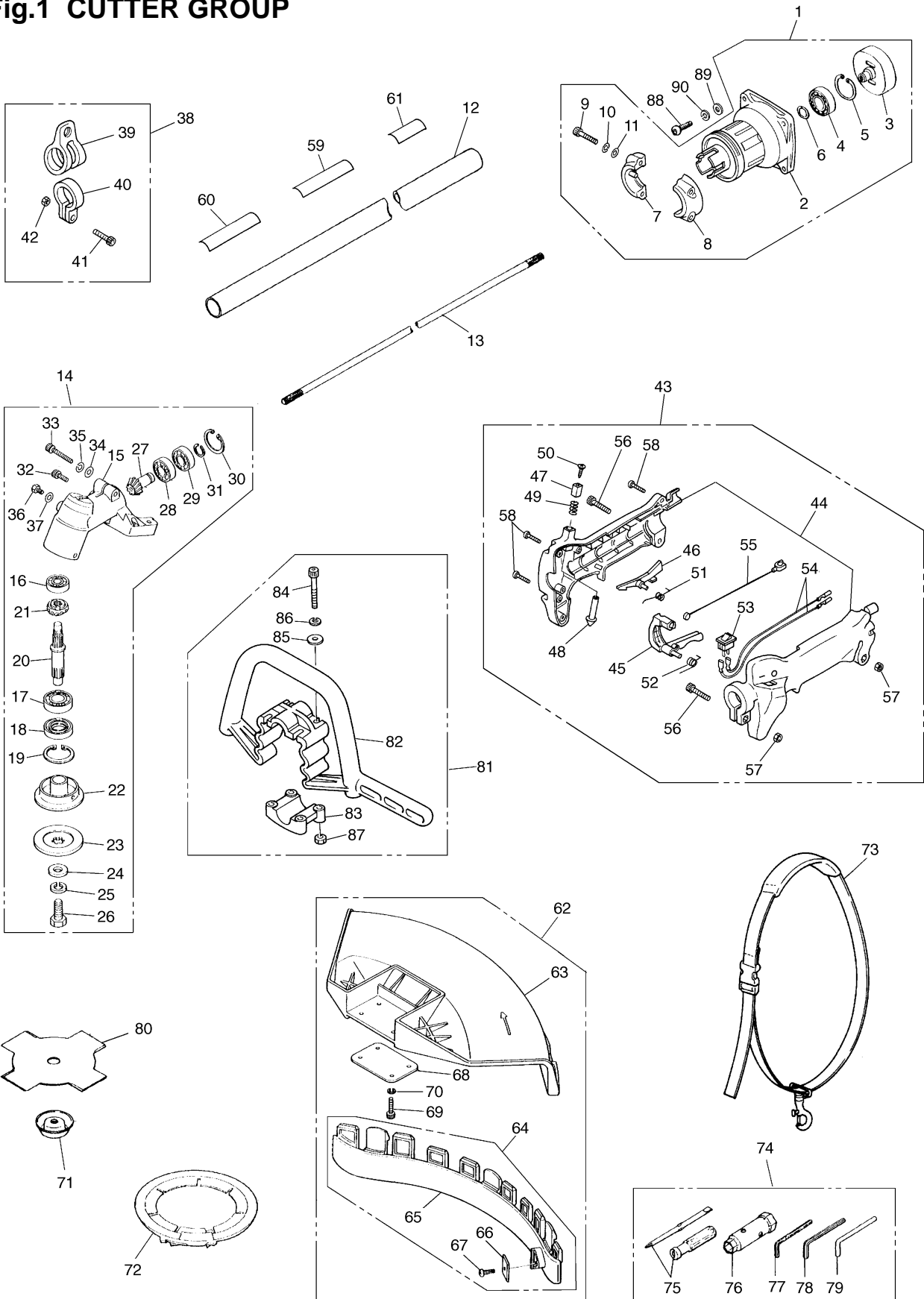


Fig.1 CUTTER GROUP

Key#	PART NUMBER	DESCRIPTION	Q'TY /UNIT	NOTE	Key#	PART NUMBER	DESCRIPTION	Q'TY /UNIT	NOTE
1	D10834	HOUSING ASSY	1		65	D10654	•• PLATE	1	
2	D10918	• HOUSING COMP	1		66	D10591	•• BLADE	1	
3	D10745	• DRUM	1		67	D10587	•• SCREW	1	
4	D10218	• BEARING	1		68	D10656	• PLATE	1	
5	5131	• RING	1		69	5223	• BOLT	4	M5x16
6	D10219	• RING	1		70	1195	• WASHER	4	
7	D10742	• CLAMP	1		71	D10522	COVER(BOLT)	1	
8	D10743	• CLAMP	1		72	D10540	COVER(BLADE)	1	
9	1172	• BOLT	2		73	D10081	STRAP ASSY	1	
10	1195	• WASHER	2		74	D10597	TOOL KIT	1	
11	1185	• WASHER	2		75	D10332	• DRIVER	1	
12	D10617	PIPE COMP	1		76	D10598	• SOCKET	1	
13	D10107	SHAFT	1		77	D10334	• WRENCH	1	
14	D10562	GEARCASE ASSY	1		78	1316	• WRENCH	1	
15	D10601	• GEARCASE	1		79	D10709	• BAR	1	
16	D10270	• BEARING	1		80	6298-14343	SAW	1	
17	D10578	• BEARING	1		81	D10572	HANDLE ASSY	1	
18	D10549	• SEAL	1		82	D10623	• HANDLE	1	
19	5131	• RING	1		83	D10608	• CLAMP	1	
20	D10546	• SHAFT	1		84	D10667	• SCREW	4	M5x35
21	D10545	• GEAR	1		85	1185	• WASHER	4	
22	6251-13240	• HOLDER(A)	1		86	1195	• WASHER	4	
23	3540-13251	• HOLDER(B)	1		87	1205	• NUT	4	
24	D10590	• WASHER	1		88	1174	BOLT	4	M6x20
25	D10589	• WASHER	1		89	1186	WASHER	4	
26	D10595	• BOLT	1		90	D10217	WASHER	4	
27	D10544	• PINION	1						
28	D10270	• BEARING	1						
29	D10271	• BEARING	1						
30	D10272	• RING	1						
31	D10273	• RING	1						
32	D10222	• BOLT	1	M5x10					
33	D10216	• BOLT	1						
34	1186	• WASHER	1						
35	D10217	• WASHER	1						
36	D10351	• BOLT	1	M6x10					
37	1186	• WASHER	1						
38	D10712	HANGER ASSY	1						
39	D10620	• HANGER	1						
40	D10609	• CLAMP	1						
41	1171	• BOLT	1						
42	1205	• NUT	1						
43	D10753	GRIP ASSY	1						
44	D10618	• BODY	1						
45	D10613	• LEVER	1						
46	D10612	• LEVER	1						
47	D10610	• BUTTON A	1						
48	D10611	• BUTTON B	1						
49	D10584	• SPRING	1						
50	D10802	• SCREW	1						
51	D10583	• SPRING	1						
52	D10579	• SPRING	1						
53	D10716	• SWITCH	1						
54	D10800	• CORD	2						
55	D10585	• CABLE	1						
56	1170	• BOLT	2	M5x20					
57	1205	• NUT	2						
58	D10921	• SCREW	3	L20					
59	D10892	PLATE NAME	1						
60	D10560	PLATE CAUTION	1						
61	T3007-12510	No.PLATE	1						
62	D10570	GUARD ASSY	1						
63	D10655	• GUARD	1						
64	D10653	• PLATE COMP	1						

Fig.2 CUTTER GROUP

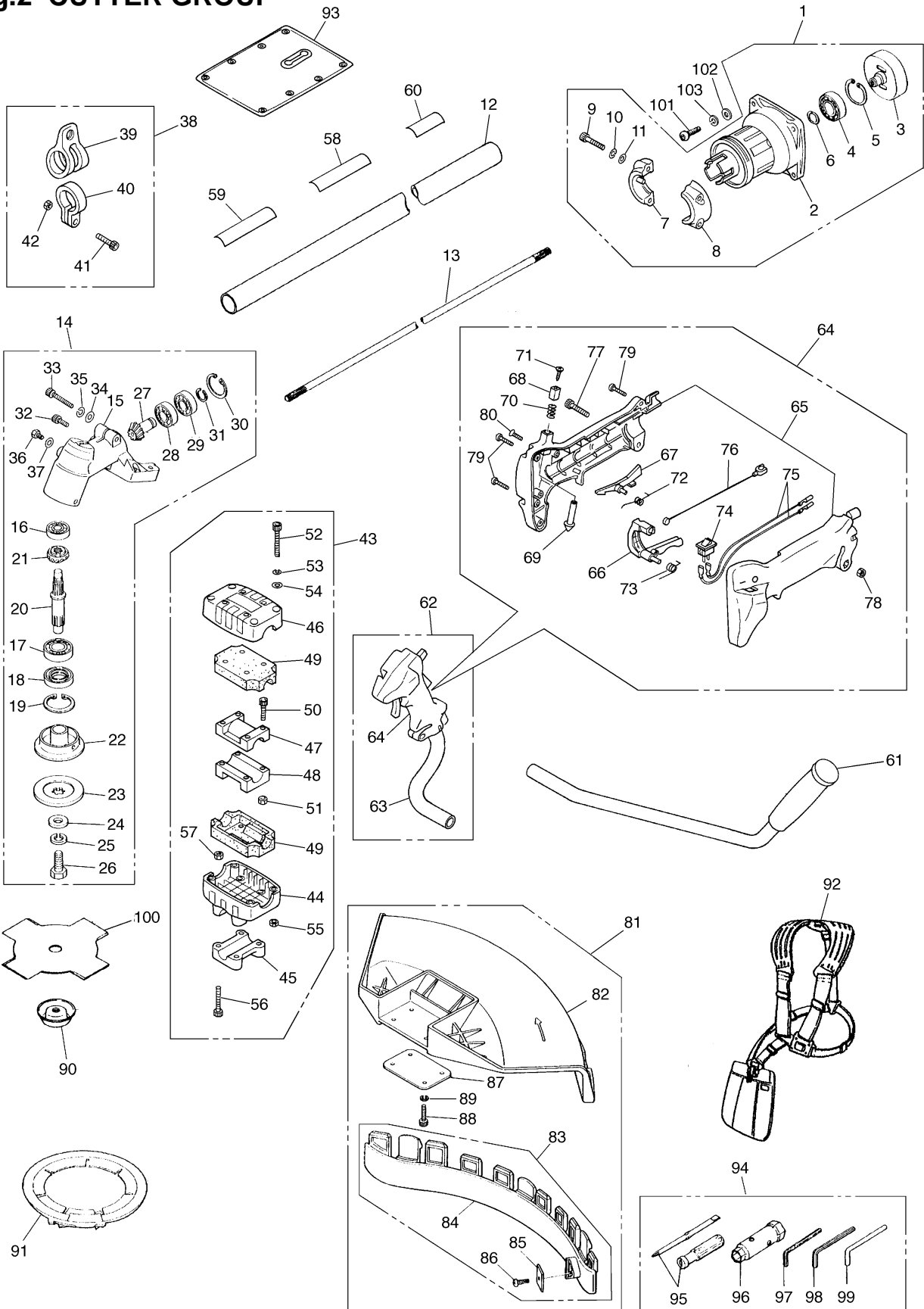


Fig.2 CUTTER GROUP

Key#	PART NUMBER	DESCRIPTION	Q'TY /UNIT	NOTE	Key#	PART NUMBER	DESCRIPTION	Q'TY /UNIT	NOTE
1	D10834	HOUSING ASSY	1		65	D10606	•• BODY	1	
2	D10918	• HOUSING COMP	1		66	D10613	•• LEVER	1	
3	D10745	• DRUM	1		67	D10612	•• LEVER	1	
4	D10218	• BEARING	1		68	D10610	•• BUTTON A	1	
5	5131	• RING	1		69	D10611	•• BUTTON B	1	
6	D10219	• RING	1		70	D10584	•• SPRING	1	
7	D10742	• CLAMP	1		71	D10802	•• SCREW	1	
8	D10743	• CLAMP	1		72	D10583	•• SPRING	1	
9	1172	• BOLT	2		73	D10579	•• SPRING	1	
10	1195	• WASHER	2		74	D10716	•• SWITCH	1	
11	1185	• WASHER	2		75	D10800	•• CORD	2	
12	D10617	PIPE COMP	1		76	D10585	•• CABLE	1	
13	D10107	SHAFT	1		77	1170	•• BOLT	1	M5x20
14	D10562	GEARCASE ASSY	1		78	1205	•• NUT	1	
15	D10601	• GEARCASE	1		79	D10921	•• SCREW	3	L20
16	D10270	• BEARING	1		80	D10323	•• SCREW	1	
17	D10578	• BEARING	1		81	D10570	GUARD ASSY	1	
18	D10549	• SEAL	1		82	D10655	• GUARD	1	
19	5131	• RING	1		83	D10653	• PLATE COMP	1	
20	D10546	• SHAFT	1		84	D10654	•• PLATE	1	
21	D10545	• GEAR	1		85	D10591	•• BLADE	1	
22	6251-13240	• HOLDER(A)	1		86	D10587	•• SCREW	1	
23	3540-13251	• HOLDER(B)	1		87	D10656	• PLATE	1	
24	D10590	• WASHER	1		88	5223	• BOLT	4	M5x16
25	D10589	• WASHER	1		89	1195	• WASHER	4	
26	D10595	• BOLT	1		90	D10522	COVER(BOLT)	1	
27	D10544	• PINION	1		91	D10540	COVER(BLADE)	1	
28	D10270	• BEARING	1		92	6220-17201	HARNES ASSY	1	
29	D10271	• BEARING	1		93	D10397	PROTRCTOR	1	
30	D10272	• RING	1		94	D10597	TOOL KIT	1	
31	D10273	• RING	1		95	D10332	• DRIVER	1	
32	D10222	• BOLT	1	M5x10	96	D10598	• SOCKET	1	
33	D10216	• BOLT	1		97	D10334	• WRENCH	1	
34	1186	• WASHER	1		98	1316	• WRENCH	1	
35	D10217	• WASHER	1		99	D10709	• BAR	1	
36	D10351	• BOLT	1	M6x10	100	6298-14343	SAW	1	
37	1186	• WASHER	1		101	1174	BOLT	4	M6x20
38	D10712	HANGER ASSY	1		102	1186	WASHER	4	
39	D10620	• HANGER	1		103	D10217	WASHER	4	
40	D10609	• CLAMP	1						
41	1171	• BOLT	1						
42	1205	• NUT	1						
43	D10576	BRACKET ASSY	1						
44	D10059	• BRACKET	1						
45	D10552	• CAP-L	1						
46	D10077	• CAP-U	1						
47	D10054	• CLAMP	1						
48	D10055	• CLAMP	1						
49	D10078	• ABSORBER	2						
50	D10721	• BOLT	4						
51	1205	• NUT	4						
52	D10588	• BOLT	4						
53	1195	• WASHER	4						
54	1185	• WASHER	4						
55	1205	• NUT	4						
56	1173	• BOLT	4						
57	1205	• NUT	4						
58	D10893	PLATE NAME	1						
59	D10560	PLATE CAUTION	1						
60	T3008-12510	No.PLATE	1						
61	D10735	HANDLE-L COMP	1						
62	D10799	HANDLE-R COMP	1						
63	D10539	• HANDLE-R	1						
64	D10751	• GRIP ASSY	1						

Fig.3 ENGINE GROUP

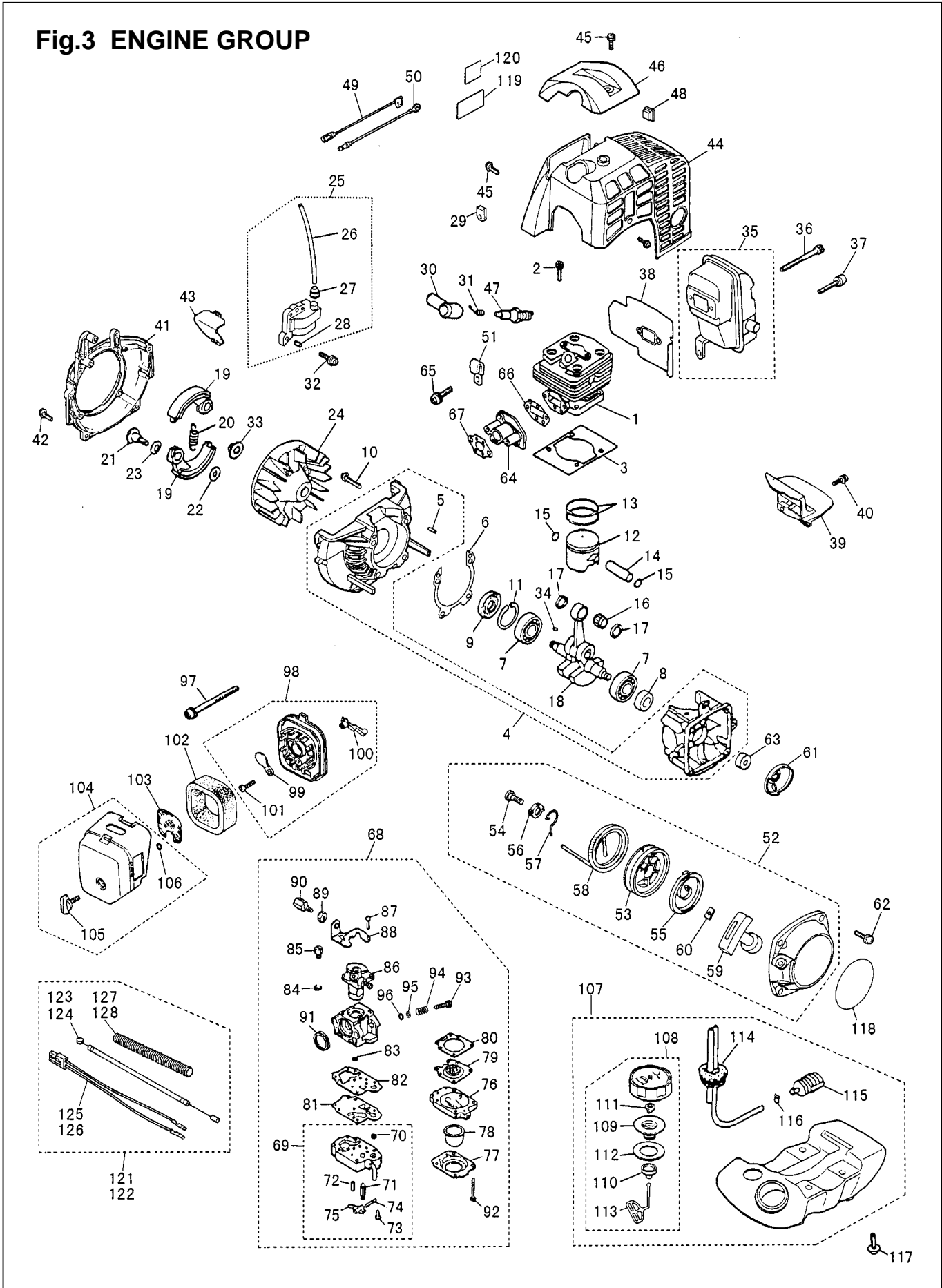


Fig.3 ENGINE GROUP

Key#	PART NUMBER	DESCRIPTION	Q'TY /UNIT	NOTE	Key#	PART NUMBER	DESCRIPTION	Q'TY /UNIT	NOTE
1	4700-12110	CYLINDER	1		65	4500-13180	SCREW	2	
2	3310-12281	BOLT	4	M5x20	66	4700-13150	GASKET, insulator	1	
3	4500-13120	GASKET, base	1		67	4500-13130	GASKET, carburetor	1	
4	4500-21100	CRANKCASE COMP.	1		68	4700-81000	CARBURETOR ASS'Y	1	WYK-94
5	2629-21130	PIN	3		69	1850-81450	• BODY ASS'Y	1	
6	4500-21140	GASKET, case	1		70	3306-81380	•• SCREEN	1	
7	06030-06201	BEARING	2		71	3356-81310	•• VALVE	1	
8	2169-21210	OIL SEAL	1		72	1850-81270	•• SPRING	1	
9	1650-21220	OIL SEAL	1		73	1850-81220	•• SCREW	1	
10	01252-30530	BOLT	4	M5x30	74	3310-81250	•• PIN	1	
11	04065-03212	SNAP RING	1		75	3310-81230	•• LEVER	1	
12	4700-41110	PISTON	1		76	1850-81490	• BODY, purge	1	
13	1650-41210	RING	2		77	1850-81520	• COVER, pump	1	
14	1030-41310	PIN	1		78	1751-81510	• PUMP, priming	1	
15	1300-41320	RING	2		79	3310-81260	• DIAPHRAGM	1	
16	2850-41410	BEARING	1		80	1850-81470	• GASKET, diaphragm	1	
17	2850-41510	WASHER	2		81	1065-81420	• DIAPHRAGM, pump	1	
18	4500-42000	CRANKSHAFT COMP.	1		82	1065-81410	• GASKET, pump	1	
19	4700-51110	SHOE, clutch	2		83	5500-81160	• WASHER	1	
20	1651-51220	SPRING	1		84	1751-81130	• RING	1	
21	1200-51211	SCREW	2		85	1881-81140	• SWIVEL	1	
22	1200-51230	WASHER	2		86	4700-81150	• VALVE ASS'Y	1	
23	1200-51241	WASHER	2		87	1752-81110	• SCREW	2	
24	4700-71110	ROTOR	1		88	5500-81120	• BRACKET	1	
25	4700-71200	COIL ASS'Y	1		89	1751-81180	• NUT, adjuster	1	
26	4700-71220	• CORD	1		90	1918-81170	• SCREW, adjuster	1	
27	4700-71230	• CAP	1		91	1881-81130	• RING	1	
28	4700-71240	• PIN	2		92	1850-81530	• SCREW	4	
29	5500-72130	GROMMET	1		93	1484-81610	• NEEDLE, high	1	
30	1900-72111	CAP, plug	1		94	1491-81160	• SPRING	1	
31	1900-72120	SPRING	1		95	1881-81190	• WASHER	1	
32	4500-72150	BOLT	2	M4x20	96	1881-81240	• O-RING	1	
33	1650-43230	NUT	1		97	0263-30550	SCREW	2	
34	1000-43240	KEY	1		98	4500-82100	BODY ASS'Y	1	
35	4700-15110	MUFFLER ASS'Y	1		99	4500-82130	• PLATE, choke	1	
36	01252-30560	BOLT	2	M5x60	100	4500-82140	• LEVER, choke	1	
37	3310-31720	BOLT	1	M5x14	101	2630-33610	• SCREW	1	
38	4700-15211	GASKET	1		102	4500-82170	ELEMENT	1	
39	4500-15220	PLATE	1		103	4500-82180	SCREEN	1	
40	0263-90514	SCREW	1		104	4500-82200	COVER ASS'Y	1	
41	4700-31110	COVER	1		105	5500-82221	• KNOB	1	
42	3310-12281	BOLT	4	M5x20	106	5500-82230	• RING	1	
43	4700-31210	PLATE	1		107	T1013-85000	TANK ASS'Y	1	
44	4500-32110	COVER	1		108	T1015-85200	• CAP ASS'Y	1	
45	4500-32120	SCREW	4		109	4500-85230	•• HOLDER	1	
46	4500-32210	GUARD	1		110	5600-85240	•• CAP	1	
47	5933-73110	SPARKPLUG (Champion)	1	BPMR7A	111	5600-85250	•• VALVE	1	
48	1852-72121	GROMMET	1		112	4500-85220	•• PACKING	1	
49	T1006-73220	CORD	1		113	3317-57242	•• STOPPER	1	
50	T1006-73230	CORD, earth	1		114	5500-85300	• PIPE COMP.	1	
51	1140-72231	CLAMP	1		115	3302-85400	• FILTER ASS'Y	1	
52	4500-75100	RECOIL ASS'Y	1		116	1260-85460	• CLIP	1	
53	4500-75120	• REEL	1		117	1600-86120	SCREW	4	
54	4500-75150	• SCREW	1		118	T1013-75410	LABEL, recoil	1	
55	1850-75130	• SPRING, spiral	1		119	1660-31121	LABEL	1	
56	4500-75180	• COLLAR	1		120	2634-31420	LABEL (CE)	1	
57	4500-75190	• ARM	1		121	T1015-83000	CABLE ASS'Y	1	DLM
58	4500-75160	• ROPE	1		122	T1016-83000	CABLE ASS'Y	1	DWM
59	1140-75320	• KNOB	1		123	2319-83100	• CABLE	1	DLM
60	5500-75170	• PLATE, stopper	1		124	5944-83100	• CABLE	1	DWM
61	4500-75210	PULLEY	1		125	2247-73200	• CORD	1	DLM
62	4500-75511	SCREW	4		126	2249-73200	• CORD	1	DWM
63	4700-75310	COLLAR	1		127	2319-73310	• TUBE	1	DLM
64	4500-13160	INSULATOR	1		128	5944-73310	• TUBE	1	DWM

Fig.4 CUTTER GROUP

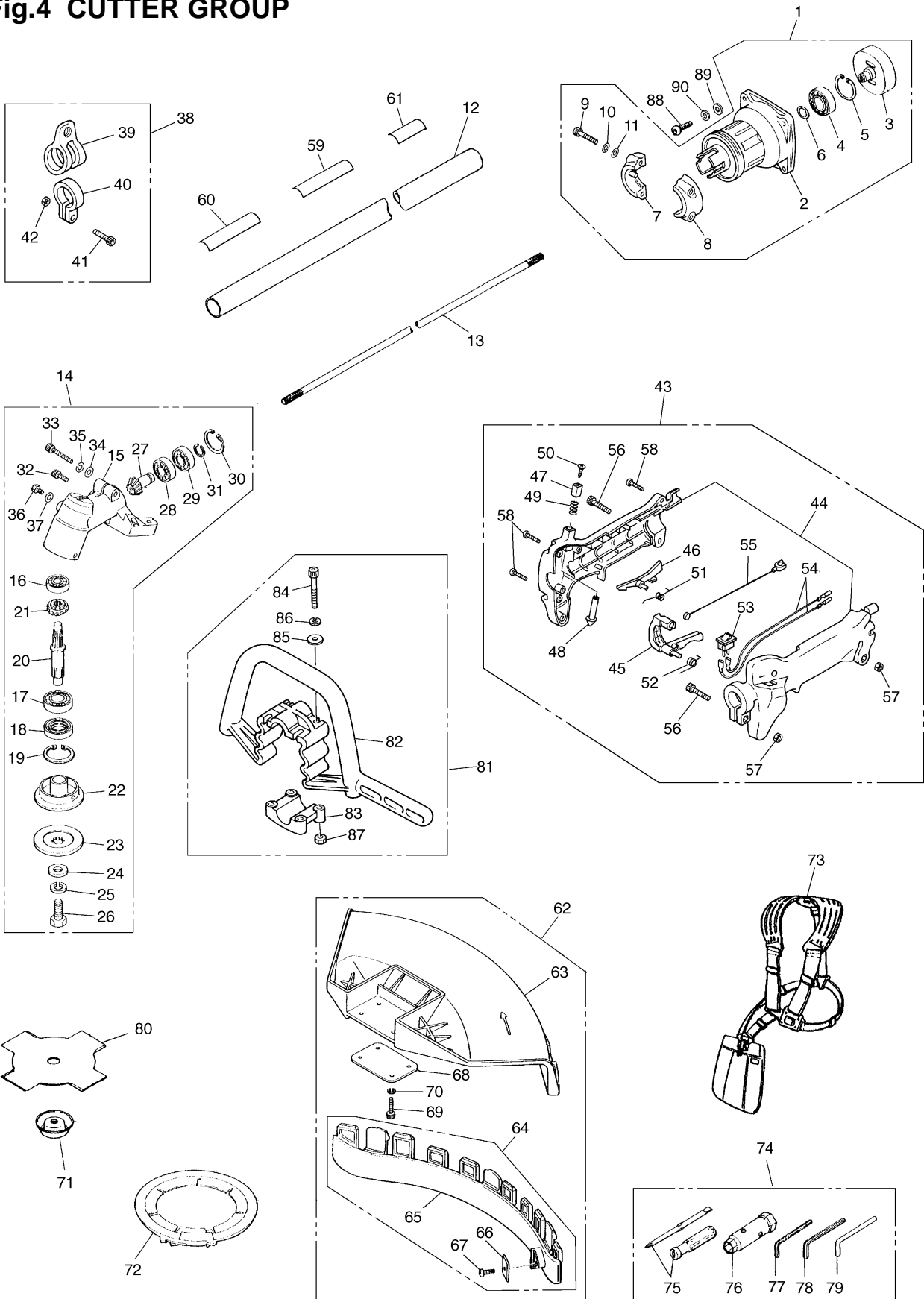


Fig.4 CUTTER GROUP

Key#	PART NUMBER	DESCRIPTION	Q'TY /UNIT	NOTE	Key#	PART NUMBER	DESCRIPTION	Q'TY /UNIT	NOTE
1	D10835	HOUSING ASSY	1		65	D10654	•• PLATE	1	
2	D10919	• HOUSING COMP	1		66	D10591	•• BLADE	1	
3	D10556	• DRUM	1		67	D10587	•• SCREW	1	
4	D10218	• BEARING	1		68	D10656	• PLATE	1	
5	5131	• RING	1		69	5223	• BOLT	4	M5x16
6	D10219	• RING	1		70	1195	• WASHER	4	
7	D10742	• CLAMP	1		71	D10522	COVER(BOLT)	1	
8	D10743	• CLAMP	1		72	D10540	COVER(BLADE)	1	
9	1172	• BOLT	2		73	6220-17201	STRAP ASSY	1	
10	1195	• WASHER	2		74	D10597	TOOL KIT	1	
11	1185	• WASHER	2		75	D10332	• DRIVER	1	
12	D10574	PIPE COMP	1		76	D10598	• SOCKET	1	
13	D10557	SHAFT	1		77	D10334	• WRENCH	1	
14	D10563	GEARCASE ASSY	1		78	1316	• WRENCH	1	
15	D10602	• GEARCASE	1		79	D10709	• BAR	1	
16	D10270	• BEARING	1		80	6298-14343	SAW	1	
17	D10578	• BEARING	1		81	D10573	HANDLE ASSY	1	
18	D10549	• SEAL	1		82	D10052	• HANDLE	1	
19	5131	• RING	1		83	D10053	• CLAMP	1	
20	D10546	• SHAFT	1		84	D10667	• SCREW	4	M5x35
21	D10545	• GEAR	1		85	1185	• WASHER	4	
22	6251-13240	• HOLDER(A)	1		86	1195	• WASHER	4	
23	3540-13251	• HOLDER(B)	1		87	1205	• NUT	4	
24	D10590	• WASHER	1		88	1174	BOLT	4	M6x20
25	D10589	• WASHER	1		89	1186	WASHER	4	
26	D10595	• BOLT	1		90	D10217	WASHER	4	
27	D10547	• PINION	1						
28	D10581	• BEARING	1						
29	D10658	• BEARING	1						
30	D10348	• RING	1						
31	D10269	• RING	1						
32	D10222	• BOLT	1	M5x10					
33	D10216	• BOLT	1						
34	1186	• WASHER	1						
35	D10217	• WASHER	1						
36	D10351	• BOLT	1	M6x10					
37	1186	• WASHER	1						
38	D10713	HANGER ASSY	1						
39	D10058	• HANGER	1						
40	D10057	• CLAMP	1						
41	1171	• BOLT	1						
42	1205	• NUT	1						
43	D10754	GRIP ASSY	1						
44	D10605	• BODY	1						
45	D10613	• LEVER	1						
46	D10612	• LEVER	1						
47	D10610	• BUTTON A	1						
48	D10611	• BUTTON B	1						
49	D10584	• SPRING	1						
50	D10802	• SCREW	1						
51	D10583	• SPRING	1						
52	D10579	• SPRING	1						
53	D10716	• SWITCH	1						
54	D10800	• CORD	2						
55	D10585	• CABLE	1						
56	1170	• BOLT	2	M5x20					
57	1205	• NUT	2						
58	D10921	• SCREW	3	L20					
59	D10894	PLATE NAME	1						
60	D10560	PLATE CAUTION	1						
61	T3009-12510	No.PLATE	1						
62	D10570	GUARD ASSY	1						
63	D10655	• GUARD	1						
64	D10653	• PLATE COMP	1						

Fig.5 CUTTER GROUP

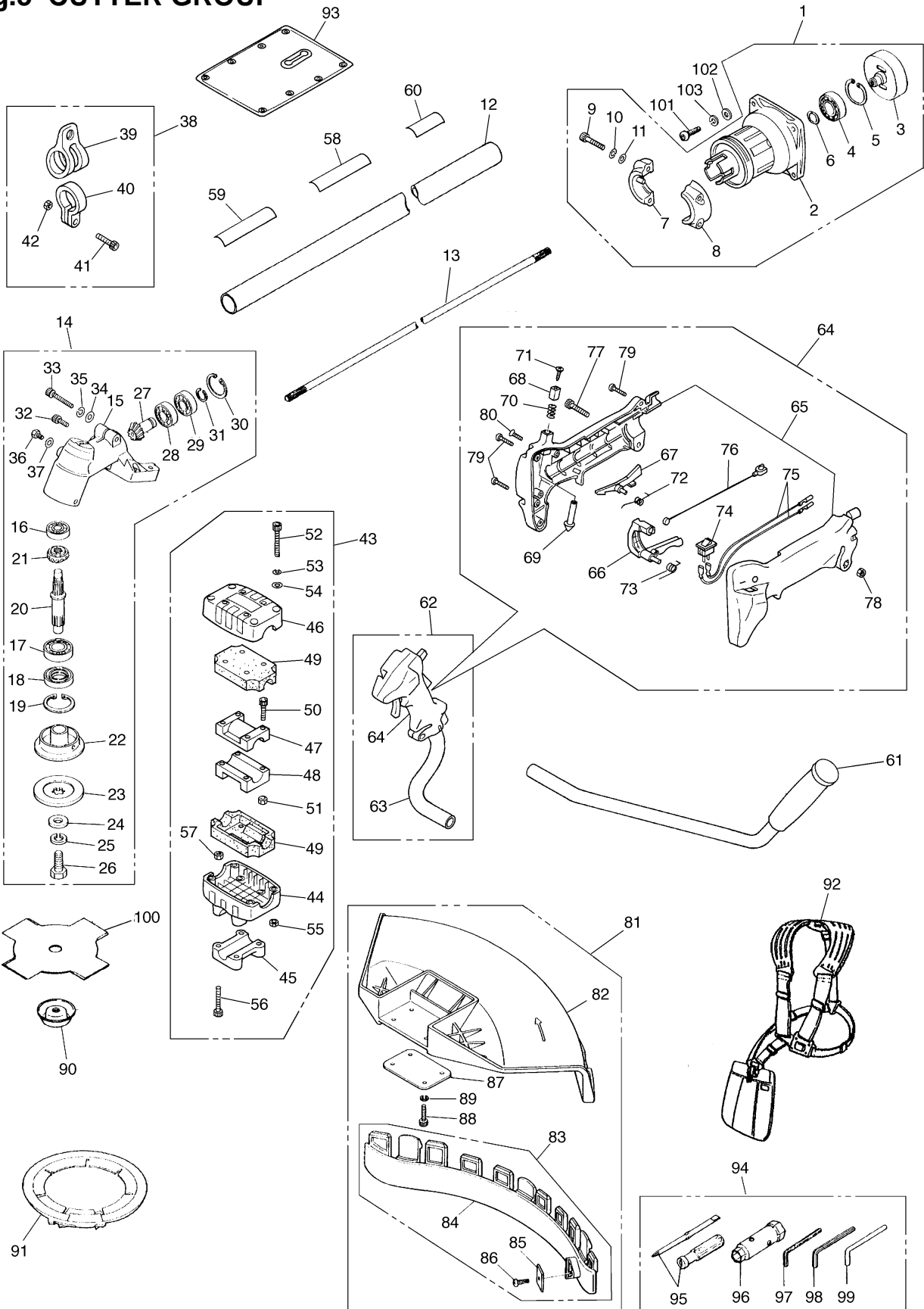


Fig.5 CUTTER GROUP

Key#	PART NUMBER	DESCRIPTION	Q'TY /UNIT	NOTE	Key#	PART NUMBER	DESCRIPTION	Q'TY /UNIT	NOTE
1	D10835	HOUSING ASSY	1		65	D10606	•• BODY	1	
2	D10919	• HOUSING COMP	1		66	D10613	•• LEVER	1	
3	D10556	• DRUM	1		67	D10612	•• LEVER	1	
4	D10218	• BEARING	1		68	D10610	•• BUTTON A	1	
5	5131	• RING	1		69	D10611	•• BUTTON B	1	
6	D10219	• RING	1		70	D10584	•• SPRING	1	
7	D10742	• CLAMP	1		71	D10802	•• SCREW	1	
8	D10743	• CLAMP	1		72	D10583	•• SPRING	1	
9	1172	• BOLT	2		73	D10579	•• SPRING	1	
10	1195	• WASHER	2		74	D10716	•• SWITCH	1	
11	1185	• WASHER	2		75	D10800	•• CORD	2	
12	D10574	PIPE COMP	1		76	D10585	•• CABLE	1	
13	D10557	SHAFT	1		77	1170	•• BOLT	1	M5x20
14	D10563	GEARCASE ASSY	1		78	1205	•• NUT	1	
15	D10602	• GEARCASE	1		79	D10921	•• SCREW	3	L20
16	D10270	• BEARING	1		80	D10323	•• SCREW	1	
17	D10578	• BEARING	1		81	D10570	GUARD ASSY	1	
18	D10549	• SEAL	1		82	D10655	• GUARD	1	
19	5131	• RING	1		83	D10653	• PLATE COMP	1	
20	D10546	• SHAFT	1		84	D10654	•• PLATE	1	
21	D10545	• GEAR	1		85	D10591	•• BLADE	1	
22	6251-13240	• HOLDER(A)	1		86	D10587	•• SCREW	1	
23	3540-13251	• HOLDER(B)	1		87	D10656	• PLATE	1	
24	D10590	• WASHER	1		88	5223	• BOLT	4	M5x16
25	D10589	• WASHER	1		89	1195	• WASHER	4	
26	D10595	• BOLT	1		90	D10522	COVER(BOLT)	1	
27	D10547	• PINION	1		91	D10540	COVER(BLADE)	1	
28	D10581	• BEARING	1		92	6220-17201	HARNES ASSY	1	
29	D10658	• BEARING	1		93	D10397	PROTRCTOR	1	
30	D10348	• RING	1		94	D10597	TOOL KIT	1	
31	D10269	• RING	1		95	D10332	• DRIVER	1	
32	D10222	• BOLT	1	M5x10	96	D10598	• SOCKET	1	
33	D10216	• BOLT	1		97	D10334	• WRENCH	1	
34	1186	• WASHER	1		98	1316	• WRENCH	1	
35	D10217	• WASHER	1		99	D10709	• BAR	1	
36	D10351	• BOLT	1	M6x10	100	6298-14343	SAW	1	
37	1186	• WASHER	1		101	1174	BOLT	4	M6x20
38	D10713	HANGER ASSY	1		102	1186	WASHER	4	
39	D10058	• HANGER	1		103	D10217	WASHER	4	
40	D10057	• CLAMP	1						
41	1171	• BOLT	1						
42	1205	• NUT	1						
43	D10577	BRACKET ASSY	1						
44	D10083	• BRACKET	1						
45	D10084	• CAP-L	1						
46	D10077	• CAP-U	1						
47	D10054	• CLAMP	1						
48	D10055	• CLAMP	1						
49	D10078	• ABSORBER	2						
50	D10721	• BOLT	4						
51	1205	• NUT	4						
52	D10588	• BOLT	4						
53	1195	• WASHER	4						
54	1185	• WASHER	4						
55	1205	• NUT	4						
56	1173	• BOLT	4						
57	1205	• NUT	4						
58	D10895	PLATE NAME	1						
59	D10560	PLATE CAUTION	1						
60	T3010-12510	No.PLATE	1						
61	D10735	HANDLE-L COMP	1						
62	D10799	HANDLE-R COMP	1						
63	D10539	• HANDLE-R	1						
64	D10751	• GRIP ASSY	1						

Fig.6 ENGINE GROUP

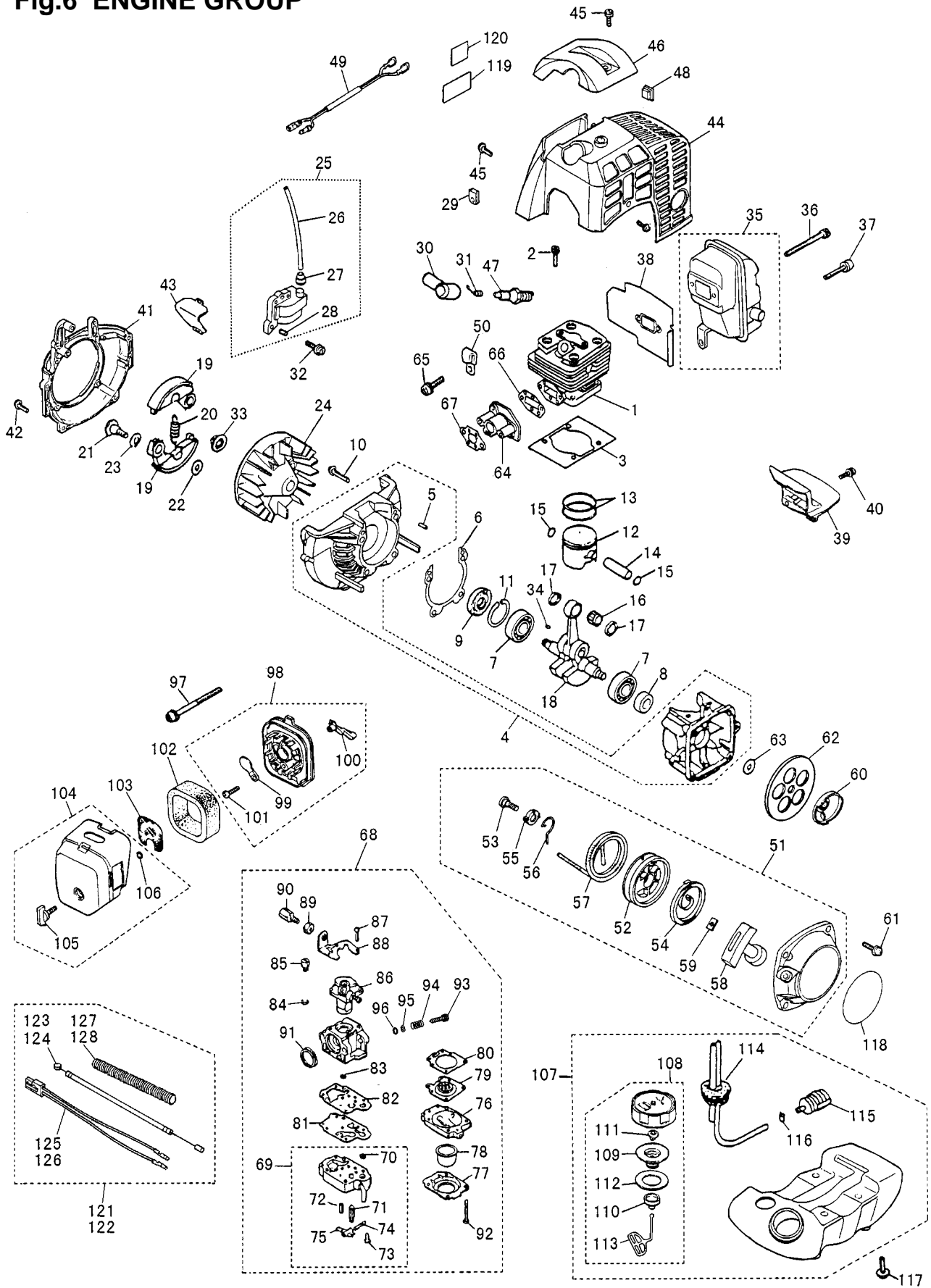


Fig.6 ENGINE GROUP

Key#	PART NUMBER	DESCRIPTION	Q'TY /UNIT	NOTE	Key#	PART NUMBER	DESCRIPTION	Q'TY /UNIT	NOTE
1	4500-12110	CYLINDER	1		65	4500-13180	SCREW	2	M5x20
2	3310-12281	BOLT	4	M5x20	66	4500-13150	GASKET, insulator	1	
3	4500-13120	GASKET, base	1		67	4500-13130	GASKET, carburetor	1	
4	4500-21100	CRANKCASE COMP.	1		68	4500-81000	CARBURETOR ASS'Y	1	WYK-93
5	2629-21130	PIN	3		69	1850-81450	• BODY ASS'Y	1	
6	4500-21140	GASKET, case	1		70	3306-81380	•• SCREEN	1	
7	06030-06201	BEARING	2		71	3356-81310	•• VALVE	1	
8	2169-21210	OIL SEAL	1		72	1850-81270	•• SPRING	1	
9	1650-21220	OIL SEAL	1		73	1850-81220	•• SCREW	1	
10	01252-30530	BOLT	4	M5x30	74	3310-81250	•• PIN	1	
11	04065-03212	SNAP RING	1		75	3310-81230	•• LEVER	1	
12	4500-41110	PISTON	1		76	1850-81490	• BODY, purge	1	
13	1400-41220	RING	2		77	1850-81520	• COVER, pump	1	
14	2850-41310	PIN	1		78	1751-81510	• PUMP, priming	1	
15	1300-41320	RING	2		79	3310-81260	• DIAPHRAGM	1	
16	2850-41410	BEARING	1		80	1850-81470	• GASKET, diaphragm	1	
17	2850-41510	WASHER	2		81	1065-81420	• DIAPHRAGM, pump	1	
18	4500-42000	CRANKSHAFT COMP.	1		82	1065-81410	• GASKET, pump	1	
19	4500-51110	SHOE, clutch	2		83	5500-81160	• WASHER	1	
20	4500-51220	SPRING	1		84	1751-81130	• RING	1	
21	1200-51211	SCREW	2		85	1881-81140	• SWIVEL	1	
22	1200-51230	WASHER	2		86	4500-81150	• VALVE ASS'Y	1	
23	1200-51241	WASHER	2		87	1752-81110	• SCREW	2	
24	4500-71110	ROTOR	1		88	5500-81120	• BRACKET	1	
25	4500-71200	COIL ASS'Y	1		89	1751-81180	• NUT, adjuster	1	
26	4500-71220	• CORD	1		90	1918-81170	• SCREW, adjuster	1	
27	2616-71320	• CAP	1		91	1881-81130	• RING	1	
28	3356-21130	• PIN	2		92	1850-81530	• SCREW	4	
29	5500-72130	GROMMET	1		93	1484-81610	• NEEDLE, high	1	
30	1900-72111	CAP, plug	1		94	1491-81160	• SPRING	1	
31	1900-72120	SPRING	1		95	1881-81190	• WASHER	1	
32	4500-72150	BOLT	2	M4x22	96	1881-81240	• O-RING	1	
33	1650-43230	NUT	1		97	0263-30550	SCREW	2	M5x50
34	1000-43240	KEY	1		98	4500-82100	BODY ASS'Y	1	
35	4500-15110	MUFFLER ASS'Y	1		99	4500-82130	• PLATE, choke	1	
36	01252-30565	BOLT	2		100	4500-82140	• LEVER, choke	1	
37	3310-31720	BOLT	1	M5x14	101	2630-33610	• SCREW	1	
38	4700-15211	GASKET, muffler	1		102	4500-82170	ELEMENT	1	
39	4500-15220	PLATE, muffler	1		103	4500-82180	SCREEN	1	
40	0263-90514	SCREW	1		104	4500-82200	COVER ASS'Y	1	
41	4500-31110	COVER	1		105	5500-82221	• KNOB	1	
42	3310-12281	BOLT	4	M5x20	106	5500-82230	• RING	1	
43	4500-31210	PLATE	1		107	T1015-85000	TANK ASS'Y	1	
44	4500-32110	COVER	1		108	T1015-85200	• CAP ASS'Y	1	
45	4500-32120	SCREW	4		109	4500-85230	•• HOLDER	1	
46	4500-32210	GUARD	1		110	5600-85240	•• CAP	1	
47	5933-73110	SPARKPLUG (Champion)	1	BPMR7A	111	5600-85250	•• VALVE	1	
48	1852-72121	GROMMET	1		112	4500-85220	•• PACKING	1	
49	T1007-73200	CORD COMP.	1		113	3317-57242	•• STOPPER	1	
50	1140-72231	CLAMP	1		114	5500-85300	• PIPE COMP.	1	
51	4500-75100	RECOIL ASS'Y	1		115	3302-85400	• FILTER ASS'Y	1	
52	4500-75120	• REEL	1		116	1260-85460	• CLIP	1	
53	4500-75150	• SCREW	1		117	1600-86120	SCREW	4	
54	1850-75130	• SPRING, spiral	1		118	T1012-75410	LABEL, recoil	1	
55	4500-75180	• COLLAR	1		119	1660-31121	LABEL	1	
56	4500-75190	• ARM	1		120	2634-31420	LABEL (CE)	1	
57	4500-75160	• ROPE	1		121	T1015-83000	CABLE ASS'Y	1	DLM
58	1140-75320	• KNOB	1		122	T1016-83000	CABLE ASS'Y	1	DWM
59	5500-75170	• PLATE, stopper	1		123	2319-83100	• CABLE	1	DLM
60	4500-75210	PULLEY	1		124	5944-83100	• CABLE	1	DWM
61	4500-75511	SCREW	4		125	2247-73200	• CORD	1	DLM
62	4500-75310	PLATE	1		126	2249-73200	• CORD	1	DWM
63	01643-30823	WASHER	1		127	2319-73310	• TUBE	1	DLM
64	4500-13160	INSULATOR	1		128	5944-73310	• TUBE	1	DWM

Free Manuals Download Website

<http://myh66.com>

<http://usermanuals.us>

<http://www.somanuals.com>

<http://www.4manuals.cc>

<http://www.manual-lib.com>

<http://www.404manual.com>

<http://www.luxmanual.com>

<http://aubethermostatmanual.com>

Golf course search by state

<http://golfingnear.com>

Email search by domain

<http://emailbydomain.com>

Auto manuals search

<http://auto.somanuals.com>

TV manuals search

<http://tv.somanuals.com>