

PARTS LIST

BRUSHCUTTERS

BC3401DLM
BC3401DWM
BC4301DLM
BC4301DWM

NOTE :

1. Use KOMATSU ZENOAH genuine parts as specified in the parts list for repair and/or replacement.
2. KOMATSU ZENOAH does not warrant the machines, which have been damaged by the use of any parts other than those specified by the company.
3. When placing parts orders for repair and/or replacement, check if the model name and the serial number are applicable to those specified in the parts list, then use parts number described in the parts list.
4. The contents described in the parts list are accurate as of the date and may change due to improvement.
5. The parts for the machine shall be supplied ten (10) years after the machine is discontinued. [It is possible that some specific parts may be subject to change of their delivery term and list price within the limit of ten (10) years after the machine is discontinued. It is also possible that some parts may be available even after the limit of ten (10) years.]

APPLICABLE SERIAL NUMBERS:

200101 and up

January 2002

Fig.1 CUTTER GROUP

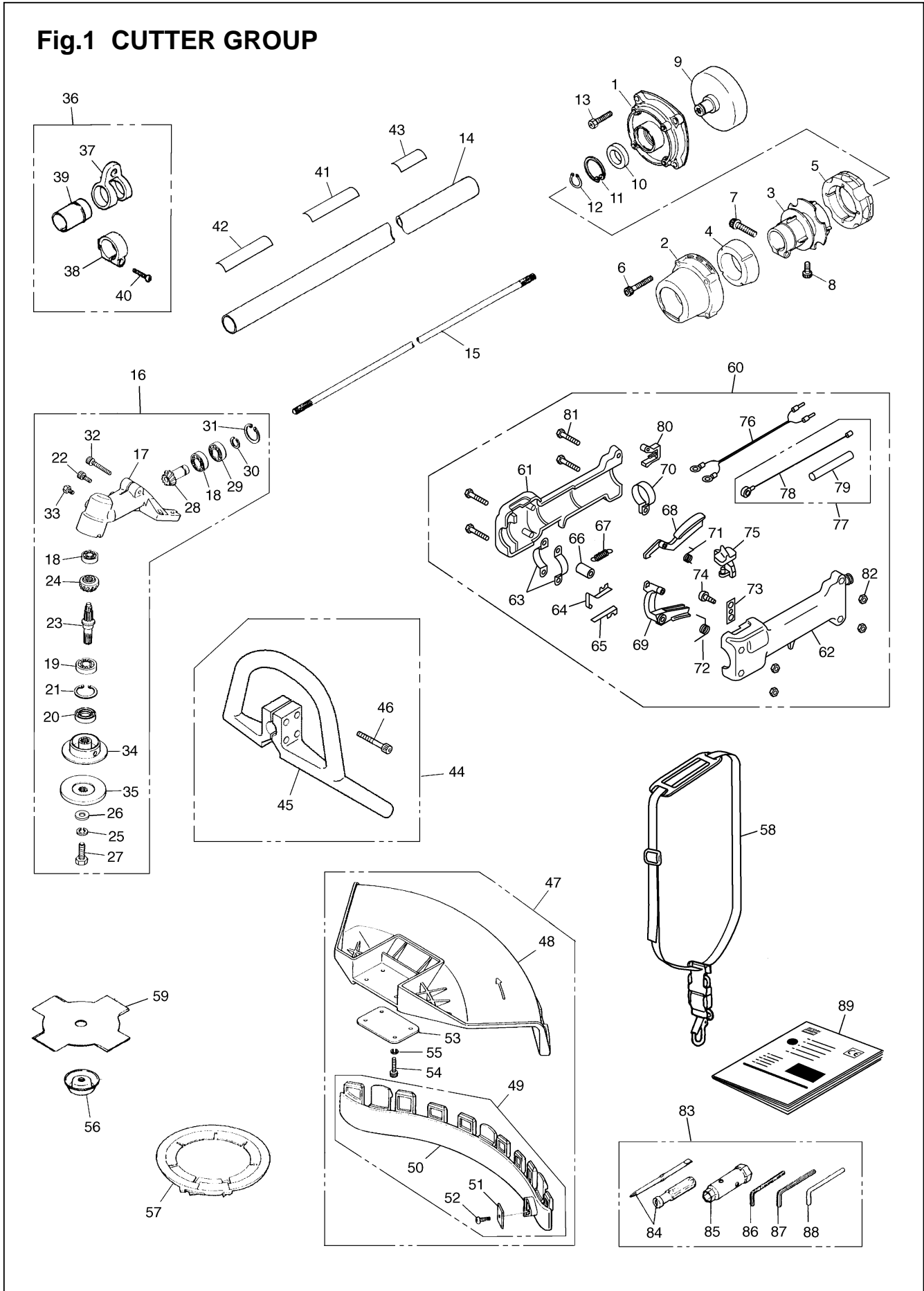


Fig.1 CUTTER GROUP

Key#	PART NUMBER	DESCRIPTION	Q'TY /UNIT	NOTE	Key#	PART NUMBER	DESCRIPTION	Q'TY /UNIT	NOTE
1	4050-11110	HOUSING	1		65	K3300-000020	• PLATE (B)	1	
2	4050-11150	CAP	1		66	K5100-000240	• COLLAR	1	
3	4050-11210	JOINT	1		67	K5100-000220	• SPRING	1	
4	4050-11250	ABSORBER-F	1		68	K2300-000260	• SAFETY LEVER	1	
5	4050-11260	ABSORBER-R	1		69	K2300-000250	• THROTTLE LEVER	1	
6	01252-30530	BOLT	4		70	K3200-000400	• CLAMP (B)	1	
7	01252-30630	BOLT	1		71	K5100-000230	• SPRING	1	
8	01252-30510	BOLT	1		72	K5100-000210	• SPRING	1	
9	T3113-11310	DRUM	1		73	K2300-000270	• PLATE	1	
10	06004-06202	BEARING	1		74	B1122-C2910H	• SCREW	1	
11	04065-03515	RING	1		75	K2300-000280	• SWITCH	1	
12	04064-01510	RING	1		76	K5200-000090	• CORD	1	
13	3544-11510	BOLT	4		77	K5100-000270	• CABLE COMP	1	
14	T3113-12100	PIPE COMP	1	ø26x1500	78	K5100-000201	•• THROTTLE CABLE	1	
15	3520-12213	SHAFT, spline ø7x7teeth	1	ø7x1536	79	K5200-000130	•• SLEEVE	1	
16	6522-13000	GEARCASE ASSY	1		80	K2300-000390	• LID	1	
17	6522-13110	• GEARCASE	1		81	B1176-090530	• SCREW	4	
18	06000-06000	• BEARING	2		82	B1181-04054606	• NUT	4	
19	06000-06202	• BEARING	1		83	T3113-91000	TOOL KIT	1	
20	3130-13141	• SEAL	1		84	1030-91340	• DRIVER	1	
21	04065-03515	• RING, SNAP	1		85	3144-91160	• SOCKET	1	
22	01252-30510	• BOLT	1		86	09007-00425	• WRENCH	1	
23	3540-13212	• SHAFT	1		87	09007-00528	• WRENCH	1	
24	3540-13220	• GEAR	1		88	3540-91110	• BAR	1	
25	3544-13280	• WASHER	1		89	T3115-93110	MANUAL	1	
26	01643-31032	• WASHER	1						
27	3540-13290	• BOLT	1	M10(L)					
28	6522-13310	• PINION	1						
29	06001-06000	• BEARING	1						
30	3180-13330	• RING	1						
31	04065-02612	• RING	1						
32	3540-13260	• BOLT	1						
33	0224-40610	• BOLT	1						
34	6251-13240	• HOLDER(A)	1						
35	3540-13251	• HOLDER(B)	1						
36	6520-17100	HANGER ASSY	1						
37	6520-17110	• HANGER	1						
38	6520-17120	• CLAMP	1						
39	6520-18130	• SPACER	1						
40	0263-90525	• SCREW	1						
41	T3112-12510	PLATE, name	1						
42	T3112-12590	PLATE, number	1						
43	6425-12552	PLATE, caution	1						
44	T3112-14000	HANDLE ASSY	1						
45	T3112-14110	• HANDLE	1						
46	0263-90530	• SCREW	4						
47	6489-24000	GUARD ASSY	1						
48	6489-24110	• GUARD	1						
49	6489-24200	• PLATE COMP	1						
50	6489-24210	•• PLATE	1						
51	6489-24220	•• BLADE	1						
52	0277-10412	•• SCREW	1						
53	6489-24120	• PLATE	1						
54	01252-30516	• BOLT	4						
55	01601-20513	• WASHER	4						
56	3540-13283	COVER	1						
57	6251-15910	COVER	1						
58	T3300-17100	STRAP ASSY	1						
59	6298-14343	SAW	1						
60	T3112-18000	GRIP ASSY	1						
61	K2300-000240	• GRIP (R)	1						
62	K2300-000230	• GRIP (L)	1						
63	K3200-000390	• CLAMP (A)	1						
64	K3300-000010	• PLATE (A)	1						

Fig.2 CUTTER GROUP

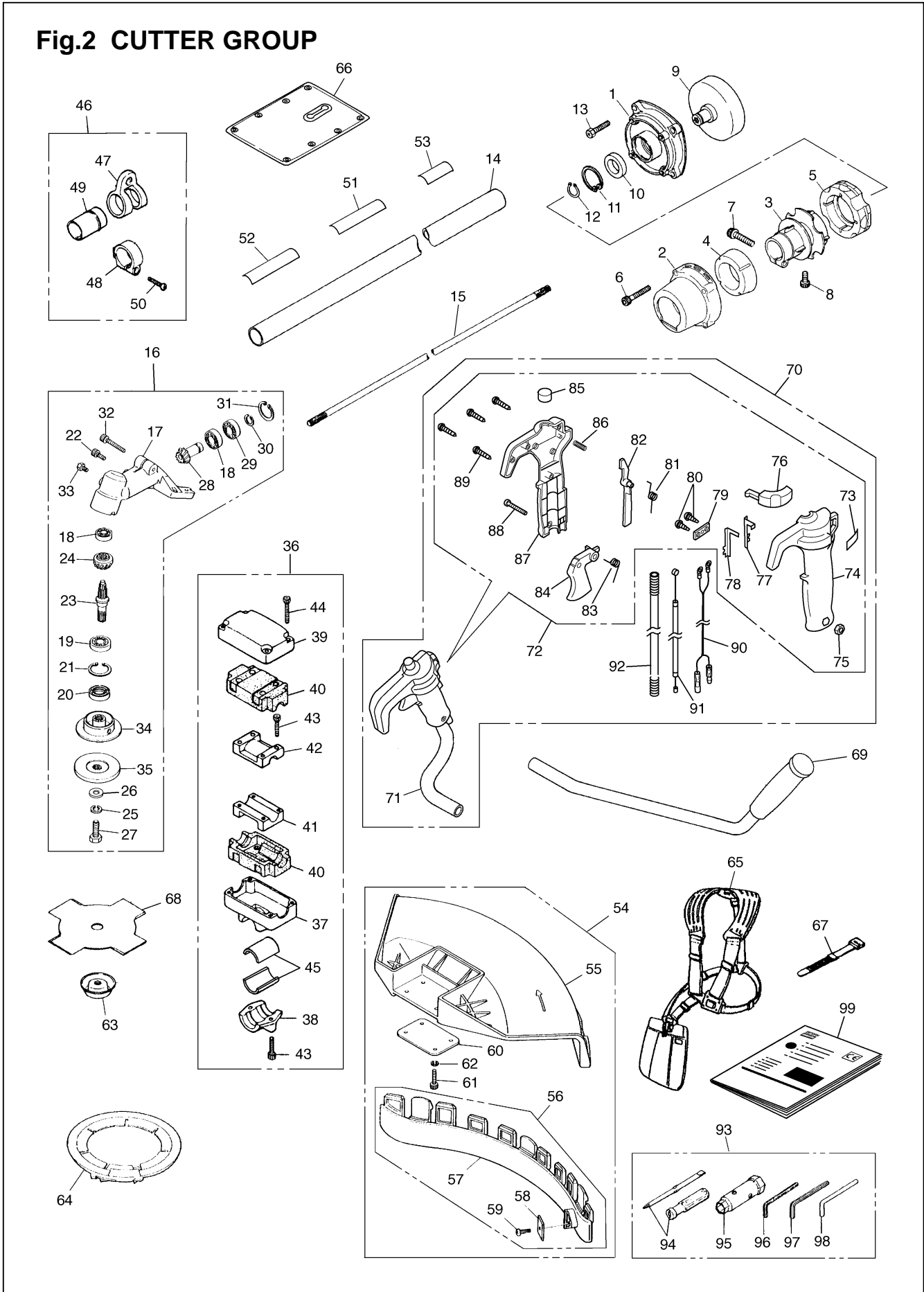


Fig.2 CUTTER GROUP

Key#	PART NUMBER	DESCRIPTION	Q'TY /UNIT	NOTE	Key#	PART NUMBER	DESCRIPTION	Q'TY /UNIT	NOTE
1	4050-11110	HOUSING	1		65	6220-17202	HARNASS ASSY	1	
2	4050-11150	CAP	1		66	4050-17110	PROTECTOR	1	
3	4050-11210	JOINT	1		67	3540-93120	BAND	1	
4	4050-11250	ABSORBER-F	1		68	6298-14343	SAW	1	
5	4050-11260	ABSORBER-R	1		69	T3111-14300	HANDLE-L COMP	1	
6	01252-30530	BOLT	4		70	T3113-14100	HANDLE-R COMP	1	
7	01252-30630	BOLT	1		71	T3111-14110	• HANDLE-R	1	
8	01252-30510	BOLT	1		72	K6010-000550	• GRIP&LEV, COMP	1	
9	T3113-11310	DRUM	1		73	K2200-000040	•• LABEL	1	
10	06004-06202	BEARING	1		74	K2300-000050	•• GRIP (L)	1	
11	04065-03515	RING	1		75	B1181-040545	•• NUT	1	
12	04064-01510	RING	1		76	K2300-000080	•• SWITCH	1	
13	3544-11510	BOLT	4		77	K5100-000030	•• SPRING	1	
14	T3113-12100	PIPE COMP	1	ø26x1500	78	K5100-000040	•• SPRING	1	
15	3520-12213	SHAFT, spline ø7x7teeth	1	ø7x1536	79	K2300-000090	•• HOLDER	1	
16	6522-13000	GEARCASE ASSY	1		80	B1122-C2910H	•• SCREW, M3x10	2	Tapping
17	6522-13110	• GEARCASE	1		81	K5100-000020	•• SPRING	1	
18	06000-06000	• BEARING	2		82	K2300-000070	•• LEVER	1	
19	06000-06202	• BEARING	1		83	K5100-000010	•• SPRING	1	
20	3130-13141	• SEAL	1		84	K2300-000060	•• LEVER	1	
21	04065-03515	• RING, SNAP	1		85	K1300-000060	•• PLUG	1	
22	01252-30510	• BOLT	1		86	K5100-000050	•• SPRING	1	
23	3540-13212	• SHAFT	1		87	K2300-000040	•• GRIP (R)	1	
24	3540-13220	• GEAR,	1		88	B1111-A0530H	•• SCREW, M5x30	1	
25	3544-13280	• WASHER	1		89	B1122-C4220H	•• SCREW, M4x20	5	Tapping
26	01643-31032	• WASHER	1		90	K5200-000070	• CORD	1	
27	3540-13290	• BOLT	1	M10(L)	91	K5100-000130	• CABLE	1	
28	6522-13310	• PINION	1		92	K5200-000080	• TUBE	1	
29	06001-06000	• BEARING	1		93	T3113-91000	TOOL KIT	1	
30	3180-13330	• RING	1		94	1030-91340	• DRIVER	1	
31	04065-02612	• RING	1		95	3144-91160	• SOCKET	1	
32	3540-13260	• BOLT	1		96	09007-00425	• WRENCH	1	
33	0224-40610	• BOLT	1		97	09007-00528	• WRENCH	1	
34	6251-13240	• HOLDER(A)	1		98	3540-91110	• BAR	1	
35	3540-13251	• HOLDER(B)	1		99	T3115-93110	MANUAL	1	
36	3530-14900	BRACKET ASSY	1						
37	3540-14910	• BRACKET	1						
38	3540-14920	• CAP-L	1						
39	3540-14930	• CAP-U	1						
40	3540-14140	• ABSORBER	2						
41	3540-14150	• CLAMP	1						
42	3540-14160	• CLAMP	1						
43	01252-30525	• BOLT	6						
44	01252-30530	• BOLT	4						
45	3530-14171	• SPACER	2						
46	6520-17100	HANGER ASSY	1						
47	6520-17110	• HANGER	1						
48	6520-17120	• CLAMP	1						
49	6520-17130	• SPACER	1						
50	0263-90525	• SCREW	1						
51	T3113-12510	PLATE, name	1						
52	T3113-12590	PLATE, number	1						
53	6425-12552	PLATE, caution	1						
54	6489-24000	GUARD ASSY	1						
55	6489-24110	• GUARD	1						
56	6489-24200	• PLATE COMP	1						
57	6489-24210	•• PLATE	1						
58	6489-24220	•• BLADE	1						
59	0277-10412	•• SCREW	1						
60	6489-24120	• PLATE	1						
61	01252-30516	• BOLT	4						
62	01601-20513	• WASHER	4						
63	3540-13283	COVER	1						
64	6251-15910	COVER	1						

Fig.3 ENGINE GROUP

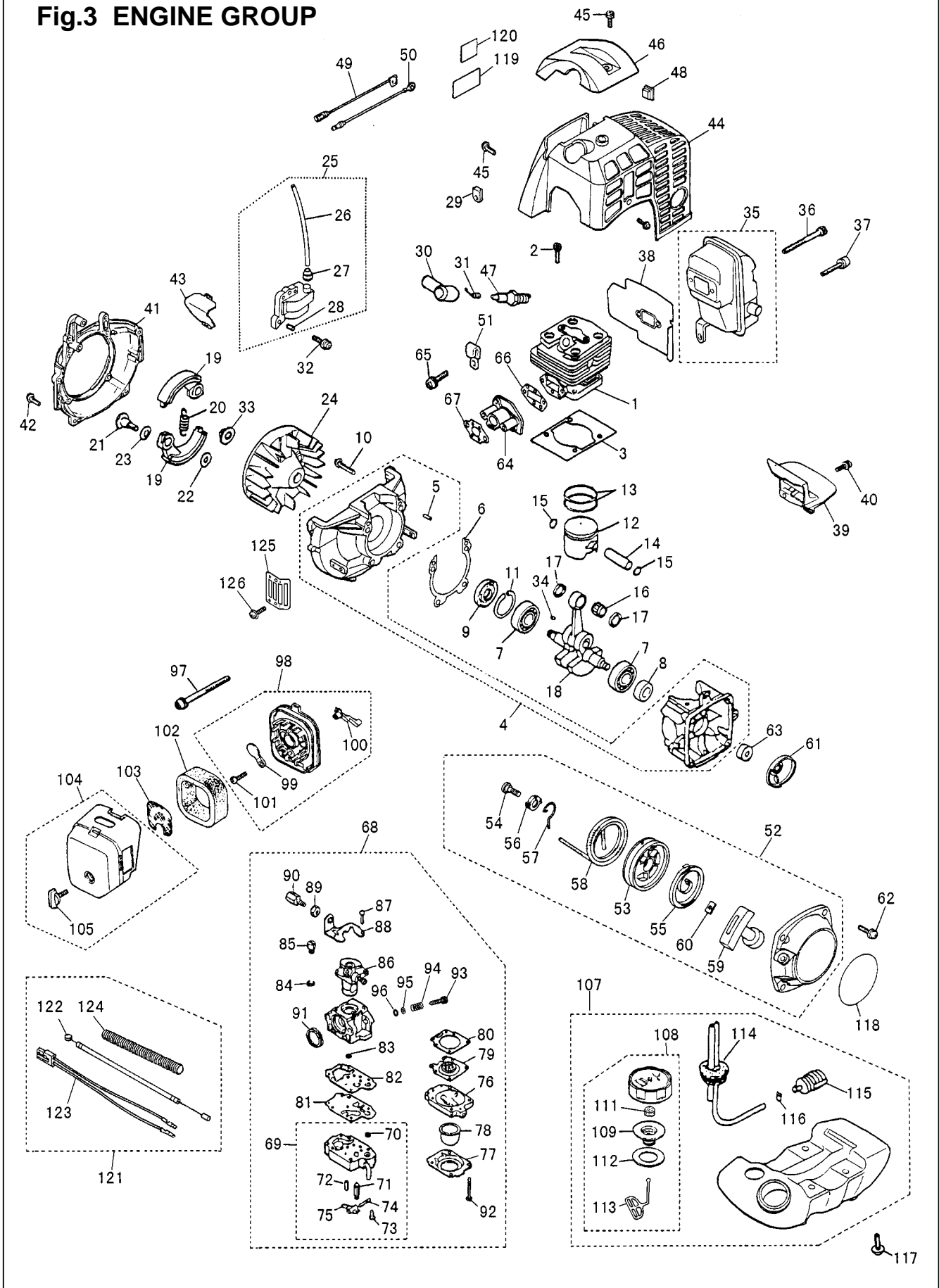


Fig.3 ENGINE GROUP

Key#	PART NUMBER	DESCRIPTION	Q'TY /UNIT	NOTE	Key#	PART NUMBER	DESCRIPTION	Q'TY /UNIT	NOTE
1	4700-12110	CYLINDER	1		66	4700-13150	GASKET, insulator	1	
2	1850-12130	BOLT	4	M5x20	67	4500-13130	GASKET, carburetor	1	
3	4500-13120	GASKET, base	1		68	4700-81001	CARBURETOR ASS'Y	1	WYK-94
4	4500-21101	CRANKCASE COMP.	1		69	1850-81450	• BODY ASS'Y	1	
5	2629-21130	• PIN	3		70	3306-81380	•• SCREEN	1	
6	4500-21140	GASKET, case	1		71	3356-81310	•• VALVE	1	
7	06030-06201	BEARING	2		72	1850-81270	•• SPRING	1	
8	4810-21210	OIL SEAL	1		73	1850-81220	•• SCREW	1	
9	1650-21220	OIL SEAL	1		74	3310-81250	•• PIN	1	
10	01252-30530	BOLT	4	M5x30	75	3310-81230	•• LEVER	1	
11	04065-03212	SNAP RING	1		76	1850-81490	• BODY, purge	1	
12	4700-41110	PISTON	1		77	1850-81520	• COVER, pump	1	
13	1650-41210	RING	2		78	1751-81510	• PUMP, priming	1	
14	1030-41310	PIN	1		79	3310-81260	• DIAPHRAGM	1	
15	1300-41320	RING	2		80	1850-81470	• GASKET, diaphragm	1	
16	T2100-41410	BEARING	1		81	1065-81420	• DIAPHRAGM, pump	1	
17	2850-41510	WASHER	2		82	1065-81410	• GASKET, pump	1	
18	4500-42000	CRANKSHAFT COMP.	1		83	5500-81160	• WASHER	1	
19	4700-51110	SHOE, clutch	2		84	1751-81130	• RING	1	
20	1651-51220	SPRING	1		85	1881-81140	• SWIVEL	1	
21	1200-51211	SCREW	2		86	4700-81150	• VALVE ASS'Y	1	
22	1200-51230	WASHER	2		87	1752-81110	• SCREW	2	
23	1200-51241	WASHER	2		88	5500-81120	• BRACKET	1	
24	4700-71110	ROTOR	1		89	1751-81180	• NUT, adjuster	1	
25	4700-71200	COIL ASS'Y	1		90	5730-81170	• SCREW, adjuster	1	
26	4500-71220	• CORD	1		91	1881-81130	• RING	1	
27	4700-71230	• CAP	1		92	1850-81530	• SCREW	4	
28	4700-71240	• PIN	2		93	1484-81610	• NEEDLE, high	1	
29	5500-72130	GROMMET	1		94	1491-81160	• SPRING	1	
30	5500-72110	CAP, plug	1		95	1881-81190	• WASHER	1	
31	1900-72120	SPRING	1		96	1881-81240	• O-RING	1	
32	4500-72150	BOLT	2	M4x20	97	0263-30550	SCREW	2	
33	1650-43230	NUT	1		98	4500-82100	BODY ASS'Y	1	
34	1000-43240	KEY	1		99	4500-82130	• PLATE, choke	1	
35	4700-15110	MUFFLER ASS'Y	1		100	4500-82140	• LEVER, choke	1	
36	01252-30560	BOLT	2	M5x60	101	2630-33610	• SCREW	1	
37	3310-31720	BOLT	1	M5x14	102	4500-82170	ELEMENT	1	
38	4700-15211	GASKET	1		103	4500-82180	SCREEN	1	
39	4500-15220	PLATE	1		104	4500-82201	COVER ASS'Y	1	
40	0263-90514	SCREW	1		105	5500-82221	• KNOB	1	
41	4700-31110	COVER	1						
42	3310-12281	BOLT	4	M5x20	107	T1013-85002	TANK ASS'Y	1	
43	4700-31210	PLATE	1		108	T1015-85202	• CAP ASS'Y	1	
44	4500-32110	COVER	1		109	4500-85300	•• HOLDER-A	1	
45	4500-32120	SCREW	4						
46	4500-32210	GUARD	1		111	5601-85260	•• FILTER	1	
47	5933-73110	SPARKPLUG (Champion)	1	BPMR7A	112	4500-85220	•• PACKING	1	
48	1852-72121	GROMMET	1		113	4820-85260	•• STOPPER	1	
49	T1006-73220	CORD	1		114	5500-85300	• PIPE COMP.	1	
50	T1006-73230	CORD, earth	1		115	3302-85400	• FILTER ASS'Y	1	
51	1140-72231	CLAMP	1		116	1260-85460	• CLIP	1	
52	4500-75100	RECOIL ASS'Y	1		117	1600-86120	SCREW	4	
53	4500-75120	• REEL	1		118	T1013-75410	LABEL, recoil	1	
54	4500-75150	• SCREW	1		119	1660-31121	LABEL	1	
55	1850-75130	• SPRING, spiral	1		120	2634-31420	LABEL (CE)	1	
56	4500-75180	• COLLAR	1		121	T1013-83000	CABLE ASS'Y	1	DLM
57	4500-75190	• ARM	1		122	T1013-83100	• CABLE	1	DLM
58	4500-75160	• ROPE	1		123	2247-73200	• CORD	1	DLM
59	1140-75320	• KNOB	1		124	2319-73310	• TUBE	1	DLM
60	5500-75170	• PLATE, stopper	1		125	4500-22110	GUARD	1	
61	4500-75210	PULLEY	1		126	0263-90514	SCREW	1	M5x4
62	4500-75511	SCREW	4						
63	4700-75310	COLLAR	1						
64	4500-13161	INSULATOR	1						
65	4500-13181	SCREW	2						

Fig.4 CUTTER GROUP

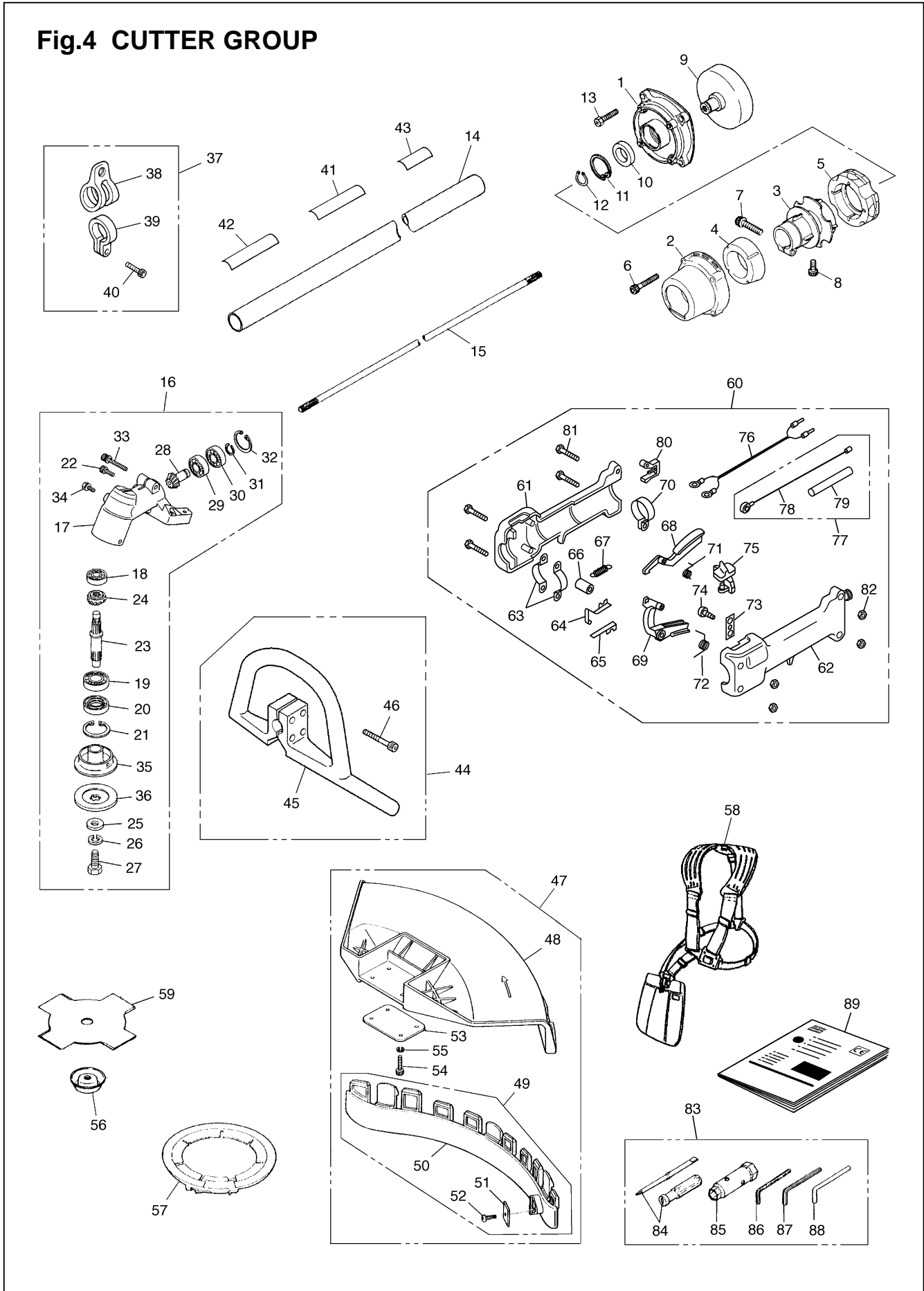


Fig.4 CUTTER GROUP

Key#	PART NUMBER	DESCRIPTION	Q'TY /UNIT	NOTE	Key#	PART NUMBER	DESCRIPTION	Q'TY /UNIT	NOTE
1	4050-11110	HOUSING	1		65	K3300-000020	• PLATE (B)	1	
2	4050-11150	CAP	1		66	K5100-000240	• COLLAR	1	
3	T3042-11210	JOINT	1		67	K5100-000220	• SPRING	1	
4	4050-11250	ABSORBER-F	1		68	K2300-000260	• SAFETY LEVER	1	
5	4050-11260	ABSORBER-R	1		69	K2300-000250	• THROTTLE LEVER	1	
6	01252-30530	BOLT	4		70	K3200-000360	• CLAMP (B)	1	
7	01252-30630	BOLT	1		71	K5100-000230	• SPRING	1	
8	01252-30510	BOLT	1		72	K5100-000210	• SPRING	1	
9	4050-11311	DRUM	1		73	K2300-000270	• PLATE	1	
10	06004-06202	BEARING	1		74	B1122-C2910H	• SCREW	1	
11	04065-03515	RING	1		75	K2300-000280	• SWITCH	1	
12	04064-01510	RING	1		76	K5200-000090	• CORD	1	
13	3544-11510	BOLT	4		77	K5100-000270	• CABLE COMP	1	
14	T3042-12100	PIPE COMP	1	ø28x1500	78	K5100-000201	•• THROTTLE CABLE	1	
15	6340-12210	SHAFT	1	ø8x1540	79	K5200-000130	•• SLEEVE	1	
16	6562-13000	GEARCASE-ASS'Y	1		80	K2300-000390	• LID	1	
17	6562-13110	• GEARCASE	1		81	B1176-090530	• SCREW	4	
18	06000-06000	• BEARING	1		82	B1181-04054606	• NUT	4	
19	06000-06202	• BEARING	1		83	T3113-91000	TOOL KIT	1	
20	3130-13141	• SEAL	1		84	1030-91340	• DRIVER	1	
21	04065-03515	• RING	1		85	3144-91160	• SOCKET	1	
22	01252-30510	• BOLT	1		86	09007-00425	• WRENCH	1	
23	3540-13212	• SHAFT, gear	1		87	09007-00528	• WRENCH	1	
24	3540-13220	• GEAR	1		88	3540-91110	• BAR	1	
25	01643-31032	• WASHER	1		89	T3115-93110	MANUAL	1	
26	3544-13280	• WASHER	1						
27	3540-13290	• BOLT	1	M10(L)					
28	3540-13311	• PINION	1						
29	06000-06001	• BEARING	1						
30	06001-06001	• BEARING	1						
31	3130-13270	• RING	1						
32	04065-02812	• RING	1						
33	3540-13260	• BOLT	1						
34	0224-40610	• BOLT	1						
35	6251-13240	• HOLDER(A)	1						
36	3540-13251	• HOLDER(B)	1						
37	T3042-17100	HANGER ASSY	1						
38	6520-17110	• HANGER	1						
39	6520-17120	• CLAMP	1						
40	0263-90525	• SCREW	1						
41	T3114-12510	PLATE, name	1						
42	T3114-12590	PLATE, number	1						
43	6425-12552	PLATE, caution	1						
44	T3114-14000	HANDLE ASSY	1						
45	T3114-14110	• HANDLE	1						
46	0263-90530	• SCREW	4						
47	6489-24000	GUARD ASSY	1						
48	6489-24110	• GUARD	1						
49	6489-24200	• PLATE COMP	1						
50	6489-24210	•• PLATE	1						
51	6489-24220	•• BLADE	1						
52	0277-10412	•• SCREW	1						
53	6489-24120	• PLATE	1						
54	01252-30516	• BOLT	4						
55	01601-20513	• WASHER	4						
56	3540-13283	COVER	1						
57	6251-15910	COVER	1						
58	6220-17202	HARNESS ASSY	1						
59	6298-14343	SAW	1						
60	T3114-18000	GRIP ASSY	1						
61	K2300-000240	• GRIP (R)	1						
62	K2300-000230	• GRIP (L)	1						
63	K3200-000350	• CLAMP (A)	1						
64	K3300-000010	• PLATE (A)	1						

Fig.5 CUTTER GROUP

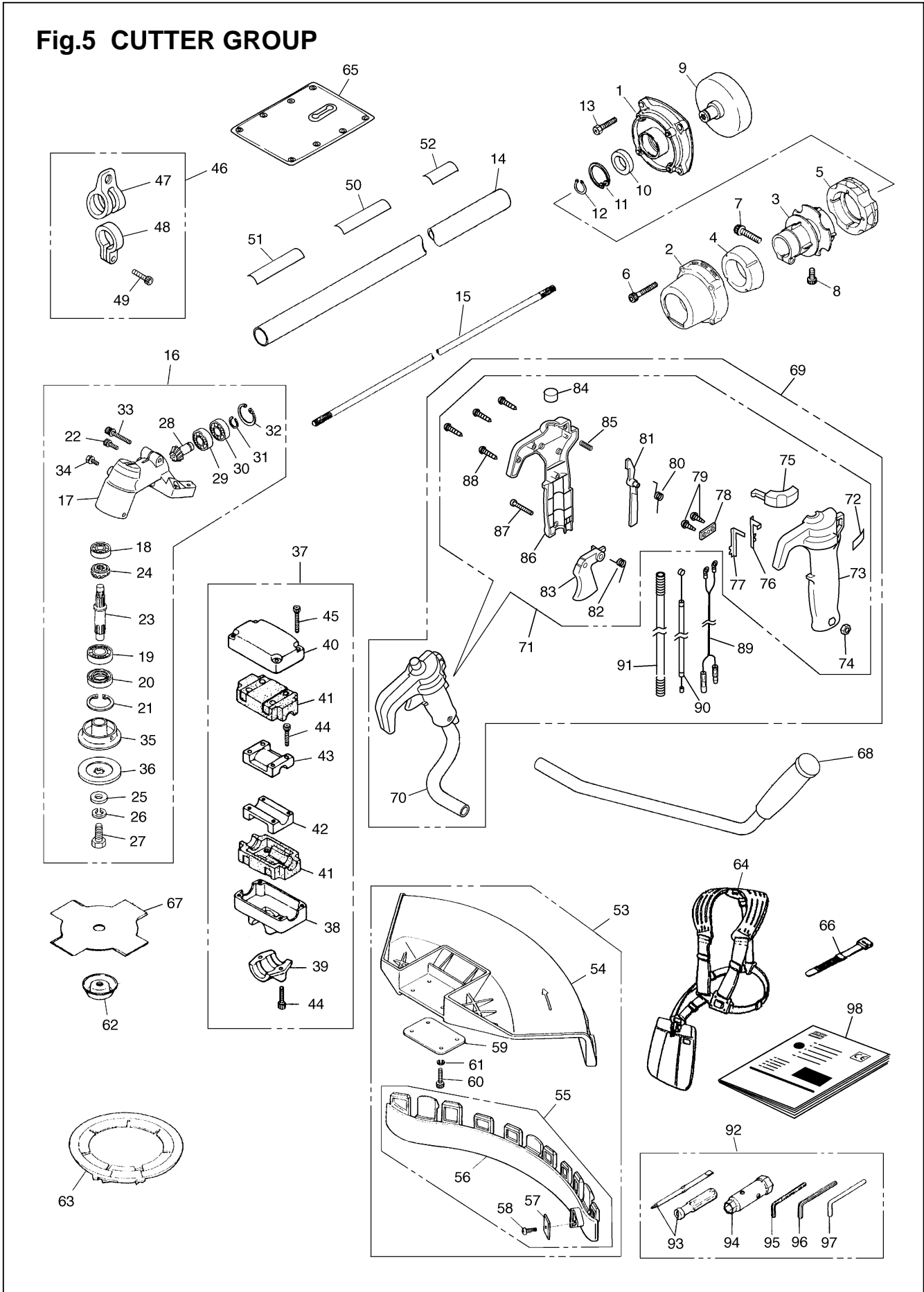


Fig.5 CUTTER GROUP

Key#	PART NUMBER	DESCRIPTION	Q'TY /UNIT	NOTE	Key#	PART NUMBER	DESCRIPTION	Q'TY /UNIT	NOTE
1	4050-11110	HOUSING	1		65	4050-17110	PROTECTOR	1	
2	4050-11150	CAP	1		66	3540-93120	BAND	1	
3	T3042-11210	JOINT	1		67	6298-14343	SAW	1	
4	4050-11250	ABSORBER-F	1		68	T3111-14300	HANDLE-L COMP	1	
5	4050-11260	ABSORBER-R	1		69	T3113-14100	HANDLE-R COMP	1	
6	01252-30530	BOLT	4		70	T3111-14110	• HANDLE-R	1	
7	01252-30630	BOLT	1		71	K6010-000550	• GRIP&LEV, COMP	1	
8	01252-30510	BOLT	1		72	K2200-000040	•• LABEL	1	
9	4050-11311	DRUM	1		73	K2300-000050	•• GRIP (L)	1	
10	06004-06202	BEARING	1		74	B1181-040545	•• NUT	1	
11	04065-03515	RING	1		75	K2300-000080	•• SWITCH	1	
12	04064-01510	RING	1		76	K5100-000030	•• SPRING	1	
13	3544-11510	BOLT	4		77	K5100-000040	•• SPRING	1	
14	T3042-12100	PIPE COMP	1		78	K2300-000090	•• HOLDER	1	
15	6340-12210	SHAFT	1		79	B1122-C2910H	•• SCREW, M3x10	2	Tapping
16	6562-13000	GEARCASE-ASS'Y	1		80	K5100-000020	•• SPRING	1	
17	6562-13110	• GEARCASE	1		81	K2300-000070	•• LEVER	1	
18	06000-06000	• BEARING	1		82	K5100-000010	•• SPRING	1	
19	06000-06202	• BEARING	1		83	K2300-000060	•• LEVER	1	
20	3130-13141	• SEAL	1		84	K1300-000060	•• PLUG	1	
21	04065-03515	• RING	1		85	K5100-000050	•• SPRING	1	
22	01252-30510	• BOLT	1		86	K2300-000040	•• GRIP (R)	1	
23	3540-13212	• SHAFT, gear	1		87	B1111-A0530H	•• SCREW, M5x30	1	
24	3540-13220	• GEAR	1		88	B1122-C4220H	•• SCREW, M4x20	5	Tapping
25	01643-31032	• WASHER	1		89	K5200-000070	• CORD	1	
26	3544-13280	• WASHER	1		90	K5100-000130	• CABLE	1	
27	3540-13290	• BOLT	1		91	K5200-000080	• TUBE	1	
28	3540-13311	• PINION	1		92	T3113-91000	TOOL KIT	1	
29	06000-06001	• BEARING	1		93	1030-91340	• DRIVER	1	
30	06001-06001	• BEARING	1		94	3144-91160	• SOCKET	1	
31	3130-13270	• RING	1		95	09007-00425	• WRENCH	1	
32	04065-02812	• RING	1		96	09007-00528	• WRENCH	1	
33	3540-13260	• BOLT	1		97	3540-91110	• BAR	1	
34	0224-40610	• BOLT	1		98	T3115-93110	MANUAL	1	
35	6251-13240	• HOLDER(A)	1						
36	3540-13251	• HOLDER(B)	1						
37	3540-14900	BRACKET-ASS'Y	1						
38	3540-14910	• BRACKET	1						
39	3540-14920	• CAP-L	1						
40	3540-14930	• CAP-U	1						
41	3540-14140	• ABSORBER	2						
42	3540-14150	• CLAMP-A	1						
43	3540-14160	• CLAMP-B	1						
44	01252-30525	• BOLT	6						
45	01252-30530	• BOLT	4						
46	T3042-17100	HANGER ASSY	1						
47	6520-17110	• HANGER	1						
48	6520-17120	• CLAMP	1						
49	0263-90525	• SCREW	1						
50	T3115-12510	PLATE, name	1						
51	T3115-12590	PLATE, number	1						
52	6425-12552	PLATE, caution	1						
53	6489-24000	GUARD ASSY	1						
54	6489-24110	• GUARD	1						
55	6489-24200	• PLATE COMP	1						
56	6489-24210	•• PLATE	1						
57	6489-24220	•• BLADE	1						
58	0277-10412	•• SCREW	1						
59	6489-24120	• PLATE	1						
60	01252-30516	• BOLT	4						
61	01601-20513	• WASHER	4						
62	3540-13283	COVER	1						
63	6251-15910	COVER	1						
64	6220-17202	HARNES ASSY	1						

Fig.6 ENGINE GROUP

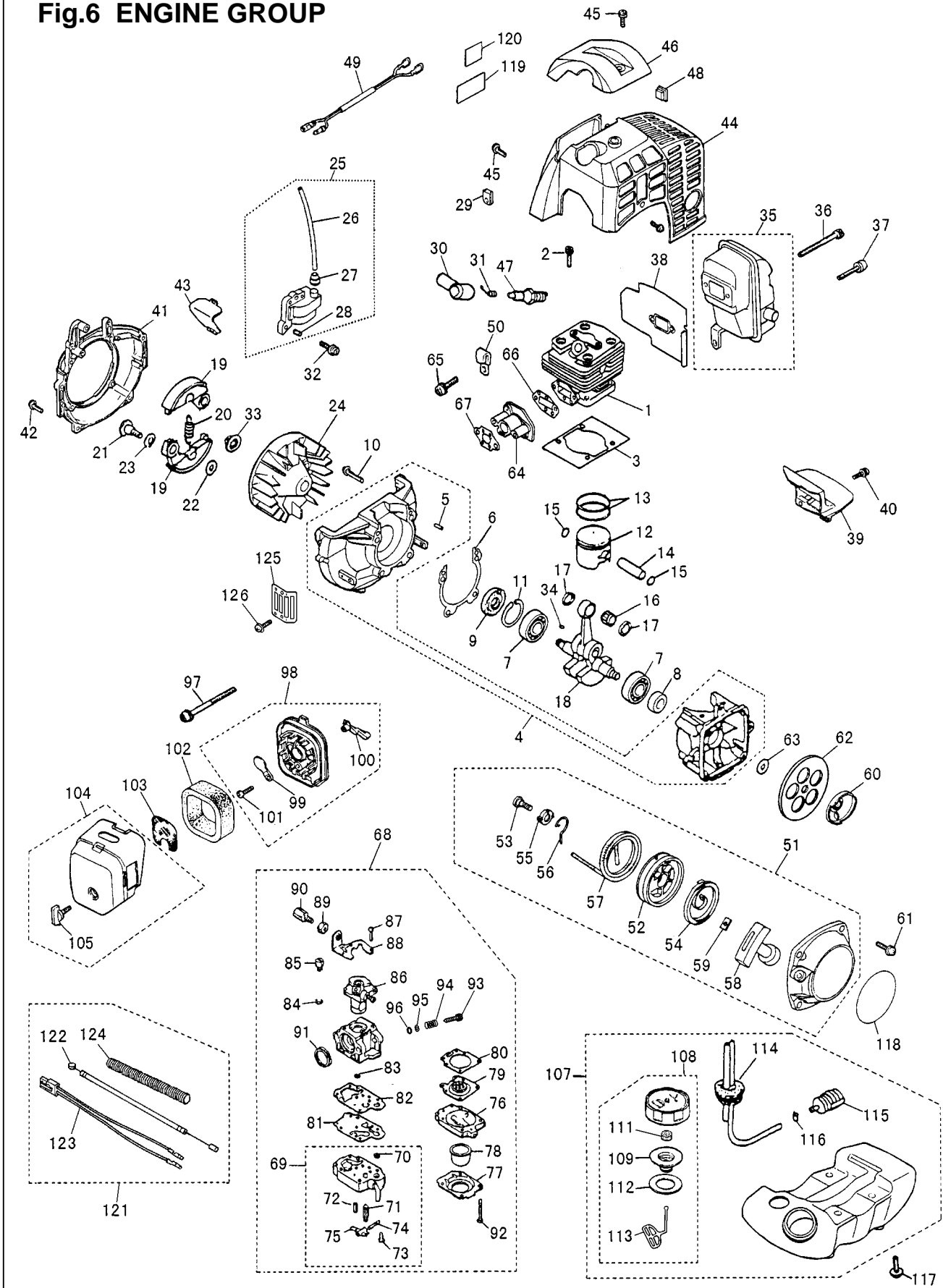


Fig.6 ENGINE GROUP

Key#	PART NUMBER	DESCRIPTION	Q'TY /UNIT	NOTE	Key#	PART NUMBER	DESCRIPTION	Q'TY /UNIT	NOTE
1	4500-12110	CYLINDER	1		66	4500-13150	GASKET, insulator	1	
2	1850-12130	BOLT	4	M5x20	67	4500-13130	GASKET, carburetor	1	
3	4500-13120	GASKET, base	1		68	4500-81001	CARBURETOR ASS'Y	1	WYK-93
4	4500-21101	CRANKCASE COMP.	1		69	1850-81450	• BODY ASS'Y	1	
5	2629-21130	• PIN	3		70	3306-81380	•• SCREEN	1	
6	4500-21140	GASKET, case	1		71	3356-81310	•• VALVE	1	
7	06030-06201	BEARING	2		72	1850-81270	•• SPRING	1	
8	4810-21210	OIL SEAL	1		73	1850-81220	•• SCREW	1	
9	1650-21220	OIL SEAL	1		74	3310-81250	•• PIN	1	
10	01252-30530	BOLT	4	M5x30	75	3310-81230	•• LEVER	1	
11	04065-03212	SNAP RING	1		76	1850-81490	• BODY, purge	1	
12	4500-41110	PISTON	1		77	1850-81520	• COVER, pump	1	
13	1400-41220	RING	2		78	1751-81510	• PUMP, priming	1	
14	2850-41310	PIN	1		79	3310-81260	• DIAPHRAGM	1	
15	1300-41320	RING	2		80	1850-81470	• GASKET, diaphragm	1	
16	T2100-41410	BEARING	1		81	1065-81420	• DIAPHRAGM, pump	1	
17	2850-41510	WASHER	2		82	1065-81410	• GASKET, pump	1	
18	4500-42000	CRANKSHAFT COMP.	1		83	5500-81160	• WASHER	1	
19	4500-51110	SHOE, clutch	2		84	1751-81130	• RING	1	
20	4500-51220	SPRING	1		85	1881-81140	• SWIVEL	1	
21	1200-51211	SCREW	2		86	4500-81150	• VALVE ASS'Y	1	
22	1200-51230	WASHER	2		87	1752-81110	• SCREW	2	
23	1200-51241	WASHER	2		88	5500-81120	• BRACKET	1	
24	4500-71110	ROTOR	1		89	1751-81180	• NUT, adjuster	1	
25	4500-71200	COIL ASS'Y	1		90	5730-81170	• SCREW, adjuster	1	
26	4500-71220	• CORD	1		91	1881-81130	• RING	1	
27	2616-71320	• CAP	1		92	1850-81530	• SCREW	4	
28	3356-21130	• PIN	2		93	1484-81610	• NEEDLE, high	1	
29	5500-72130	GROMMET	1		94	1491-81160	• SPRING	1	
30	5500-72110	CAP, plug	1		95	1881-81190	• WASHER	1	
31	1900-72120	SPRING	1		96	1881-81240	• O-RING	1	
32	4500-72150	BOLT	2	M4x22	97	0263-30550	SCREW	2	M5x50
33	1650-43230	NUT	1		98	4500-82100	BODY ASS'Y	1	
34	1000-43240	KEY	1		99	4500-82130	• PLATE, choke	1	
35	4500-15110	MUFFLER ASS'Y	1		100	4500-82140	• LEVER, choke	1	
36	01252-30565	BOLT	2		101	2630-33610	• SCREW	1	
37	3310-31720	BOLT	1	M5x14	102	4500-82170	ELEMENT	1	
38	4700-15211	GASKET, muffler	1		103	4500-82180	SCREEN	1	
39	4500-15220	PLATE, muffler	1		104	4500-82201	COVER ASS'Y	1	
40	0263-90514	SCREW	1		105	5500-82221	• KNOB	1	
41	4500-31110	COVER	1						
42	3310-12281	BOLT	4	M5x20	107	T1015-85003	TANK ASS'Y	1	
43	4500-31210	PLATE	1		108	T1015-85202	• CAP ASS'Y	1	
44	4500-32110	COVER	1		109	4500-85300	•• HOLDER-A	1	
45	4500-32120	SCREW	4						
46	4500-32210	GUARD	1		111	5601-85260	•• FILTER	1	
47	5933-73110	SPARKPLUG (Champion)	1	BPMR7A	112	4500-85220	•• PACKING	1	
48	1852-72121	GROMMET	1		113	4820-85260	•• STOPPER	1	
49	T1007-73200	CORD COMP.	1		114	T1015-85300	• PIPE COMP.	1	
50	1140-72231	CLAMP	1		115	3302-85400	• FILTER ASS'Y	1	
51	4500-75100	RECOIL ASS'Y	1		116	1260-85460	• CLIP	1	
52	4500-75120	• REEL	1		117	1600-86120	SCREW	4	
53	4500-75150	• SCREW	1		118	T1012-75410	LABEL, recoil	1	
54	1850-75130	• SPRING, spiral	1		119	1660-31121	LABEL	1	
55	4500-75180	• COLLAR	1		120	2634-31420	LABEL (CE)	1	
56	4500-75190	• ARM	1		121	T1013-83000	CABLE ASS'Y	1	DLM
57	4500-75160	• ROPE	1		122	T1013-83100	• CABLE	1	DLM
58	1140-75320	• KNOB	1		123	2247-73200	• CORD	1	DLM
59	5500-75170	• PLATE, stopper	1		124	2319-73310	• TUBE	1	DLM
60	4500-75210	PULLEY	1		125	4500-22110	GUARD	1	
61	4500-75511	SCREW	4		126	0263-90514	SCREW	1	M5x4
62	4500-75310	PLATE	1						
63	01643-30823	WASHER	1						
64	4500-13161	INSULATOR	1						
65	4500-13181	SCREW	2	M5x20					



KOMATSU ZENOAH CO.

1-9 Minamidai, Kawagoe, Saitama, 350-1192 Japan

PRINTED IN JAPAN

PRINTED ON RECYCLED PAPER
IMPRIMÉ SUR PAPIER RECYCLÉ
GEDRUCKT AUF RECYCLING PAPIER
STAMPATO SU CARTA RICICLATA
IMPRESO EN PAPEL RECICLADO

Free Manuals Download Website

<http://myh66.com>

<http://usermanuals.us>

<http://www.somanuals.com>

<http://www.4manuals.cc>

<http://www.manual-lib.com>

<http://www.404manual.com>

<http://www.luxmanual.com>

<http://aubethermostatmanual.com>

Golf course search by state

<http://golfingnear.com>

Email search by domain

<http://emailbydomain.com>

Auto manuals search

<http://auto.somanuals.com>

TV manuals search

<http://tv.somanuals.com>