

PARTS CATALOGUE

BRUSHCUTTERS**BC2300LE****BC2600LE****BC340WE****BC430WE****BC530WE****BC2300LE****BC2600LE****BC340WE****BC430WE****BC530WE**

SEPTEMBER 1997

PARTS LIST

BRUSHCUTTERS

BC2300LE

BC2300LE

NOTE :

1. Use KOMATSU ZENOAH genuine parts specified in the parts list for repair and/or replacement.
2. KOMATSU ZENOAH does not warrant the machines, those which have been damaged by the use of any parts other than those specified by the company.
3. When placing orders of parts for repair and/or replacement, check if the model name and the serial number are suitable to those specified in the parts list, then use parts number described in the parts list.
4. The contents described in the parts list are as of July 1997 may change due to improvement.
5. The parts for the machine shall be supplied within ten (10) years after the machine is discontinued. [It is possible that some specific parts may be subject to change of their delivery term and list price within the limit of ten (10) years after the machine is discontinued. And it is also possible that some parts may be available even after the limit of ten (10) years.]

Fig.1 CUTTER GROUP

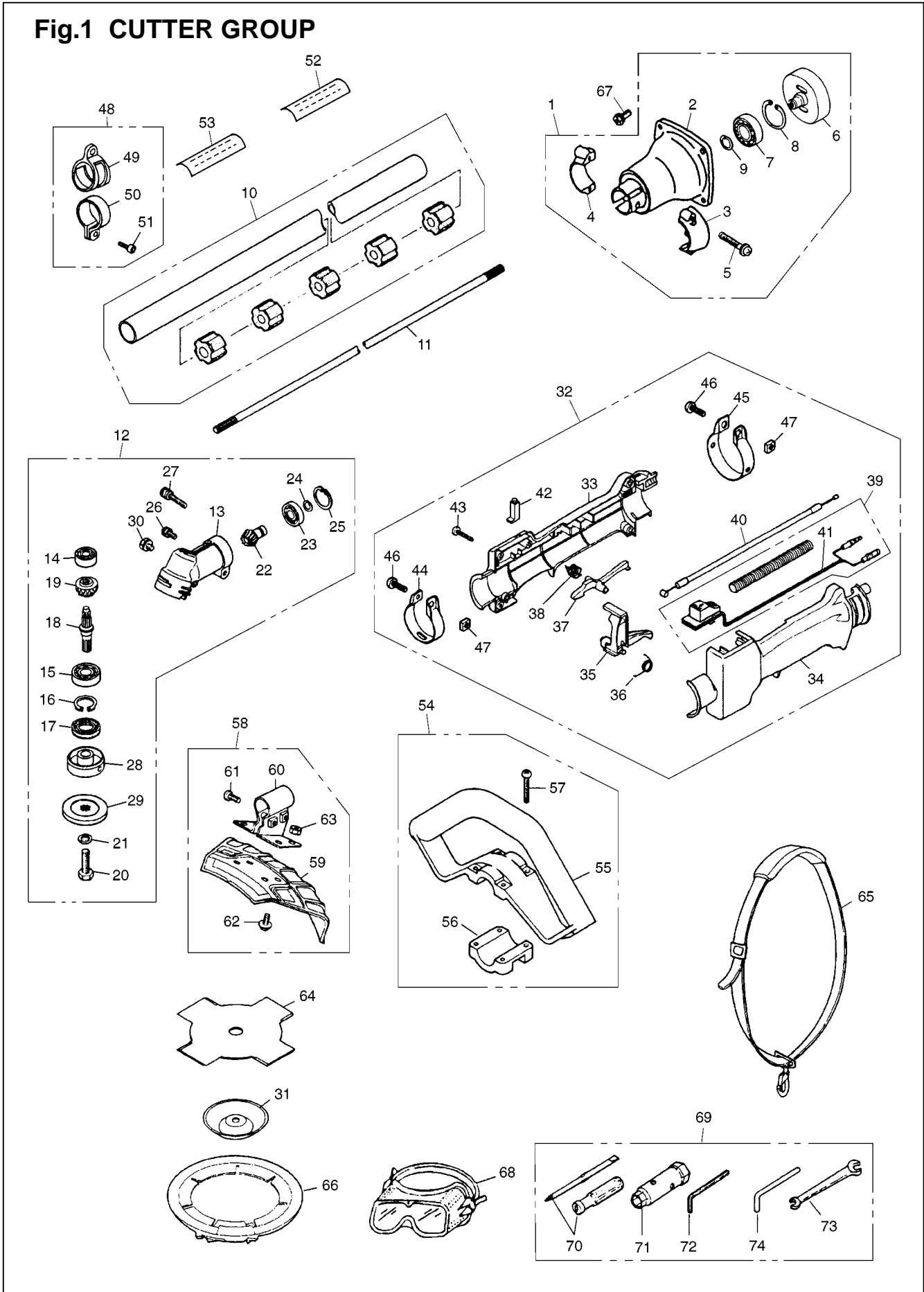


Fig.1 CUTTER GROUP

Key#	PART NUMBER	DESCRIPTION	Q'TY /UNIT	NOTE	Key#	PART NUMBER	DESCRIPTION	Q'TY /UNIT	NOTE
1	6574-11000	HOUSING ASSY	1		56	6420-14320	• CLAMP	1	
2	6470-11110	• HOUSING	1		57	00263-90535	• SCREW	4	
3	6460-11130	• CLAMP-L	1		58	5764-24000	GUARD ASSY	1	
4	6460-11140	• CLAMP-R	1		59	5766-24110	• GUARD	1	
5	3350-21320	• BOLT	2		60	3250-24120	• BRACKET	1	
6	6460-12110	• DRUM	1		61	00225-10620	• BOLT	2	
7	06004-06001	• BEARING	1		62	00263-30614	• SCREW	4	
8	04065-02812	• RING	1		63	00280-10605	• NUT	4	
9	04064-01210	• RING	1		64	6298-14243	SAW	1	
10	6038-11301	PIPE COMP	1		65	6489-17200	STRAP ASSY	1	
11	6784-12210	SHAFT	1		66	6251-15910	COVER,blade	1	
12	6420-13000	GEARCASE ASSY	1		67	6468-91150	BOLT	1	
13	6420-13121	• GEARCASE	1		68	6242-92110	GOGGLE	1	
14	06000-00626	• BEARING	1		69	3550-91000	TOOL SET	1	
15	06000-06900	• BEARING	1		70	1030-91340	• DRIVER	1	
16	6420-13150	• RING	1		71	3239-91310	• SOCKET	1	
17	3565-13130	• SEAL	1		72	09007-00425	• WRENCH	1	
18	6420-13210	• SHAFT,gear	1		73	3540-91120	• SPANNER	1	
19	6420-13220	• GEAR	1		74	3540-91110	• BAR	1	
20	3560-13261	• BOLT	1						
21	3560-13290	• WASHER	1						
22	6420-13311	• PINION	1						
23	06001-00609	• BEARING	1						
24	3210-13330	• RING	1						
25	04065-02412	• RING	1						
26	01252-30510	• BOLT	1						
27	3350-21320	• BOLT	1						
28	6440-13242	• HOLDER(A)	1						
29	6019-13250	• HOLDER(B)	1						
30	00224-40610	• BOLT	1						
31	6420-13280	COVER	1						
32	6423-11330	GRIP ASSY	1						
33	6464-12210	• GRIP(R)	1						
34	6464-12220	• GRIP(L)	1						
35	6464-12230	• LEVER	1						
36	1638-84170	• SPRING	1						
37	6464-12240	• LEVER	1						
38	1638-84180	• SPRING	1						
39	6423-12230	• SWITH COMP	1						
40	6423-11390	• CABELE COMP	1						
41	6423-12430	• CORD COMP	1						
42	1638-84150	• STOPPER	1						
43	1638-84220	• SCREW	4						
44	6464-12250	• CLAMP	1						
45	1638-84160	• CLAMP	1						
46	00263-60620	• SCREW	2						
47	1638-84190	• NUT	2						
48	6130-18000	HANGER ASSY	1						
49	6130-18101	• HANGER	1						
50	6130-18200	• CLAMP	1						
51	00263-90520	• SCREW	1						
52	5763-12510	PLATE,name	1						
53	6425-12552	PLATE,caution	1						
54	6420-14100	HANDLE ASSY	1						
55	6420-14311	• HANDLE	1						

Fig.2 ENGINE GROUP

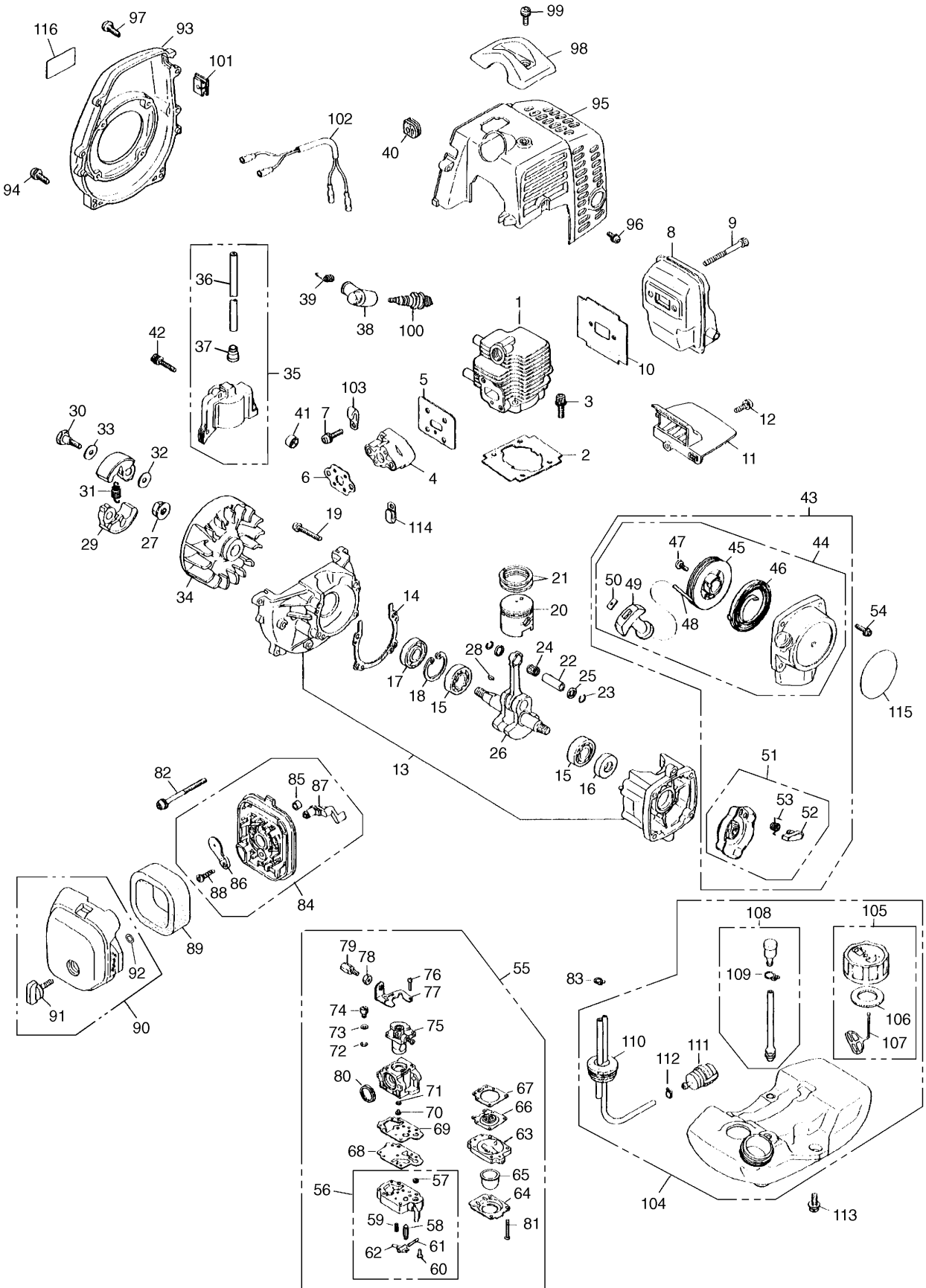


Fig.2 ENGINE GROUP

Key#	PART NUMBER	DESCRIPTION	Q'TY /UNIT	NOTE	Key#	PART NUMBER	DESCRIPTION	Q'TY /UNIT	NOTE
1	5500-12110	CYLINDER	1		63	1850-81490	• BODY	1	
2	5500-12211	GASKET,base	1		64	1850-81520	• COVER	1	
3	1850-12130	BOLT	2		65	1751-81510	• PUMP	1	
4	5500-13162	INSULATOR	1		66	3310-81260	• DIAPHRAGM ASSY	1	
5	5500-13120	GASKET,insulator	1		67	1850-81470	• GASKET	1	
6	5500-13130	GASKET,carburetor	1		68	1065-81420	• DIAPHRAGM	1	
7	00263-90520	SCREW	2		69	1065-81410	• GASKET	1	
8	5580-15110	MUFFLER	1		70	5500-81251	• JET	1	
9	01252-30550	BOLT	2		71	1751-81240	• O-RING	4	
10	5500-15210	GASKET	1		72	1751-81130	• RING	2	
11	5500-15220	PLATE	1		73	5500-81160	• WASHER	1	
12	00263-90416	SCREW	1		74	1881-81140	• SWIVEL	1	
13	5500-21100	CRANKCASE COMP	1		75	5500-81153	• VALVE ASSY	1	
14	5500-21140	GASKET,case	1		76	1752-81110	• SCREW	2	
15	06030-06001	BEARING	2		77	5500-81120	• BRAKET	1	
16	2169-21210	OIL SEAL	1		78	1751-81180	• NUT	1	
17	1850-21220	OIL SEAL	1		79	1918-81170	• SCREW	1	
18	04065-02812	SNAP RING	1		80	1881-81130	• RING	1	
19	01252-30530	BOLT	4		81	1850-81530	• SCREW	1	
20	5600-41111	PISTON	1		82	00263-90560	SCREW	2	
21	1100-41210	RING	2		83	1950-86120	CLIP	1	
22	1101-41310	PIN	1		84	5500-82102	BODY ASSY	1	
23	1260-41320	SNAP RING	2		85	1970-82190	• SLEEVE	2	
24	1140-41330	BEARING	1		86	5500-82131	• PLATE	1	
25	1101-41340	WASHER	2		87	5500-82140	• LVEVER	1	
26	5500-42001	CRANKSHAFT COMP	1		88	2630-33610	• SCREW	1	
27	1650-43230	NUT	1		89	5500-82171	ELEMENT	1	
28	1000-43240	KEY	1		90	5600-82201	COVER ASSY	1	
29	1400-51111	SHOE	2		91	5500-82221	• KNOB	1	
30	1140-51250	SCREW	2		92	5500-82230	• RING	1	
31	1970-51221	SPRING	1		93	5501-31111	COVER	1	
32	1140-51230	WASHER	1		94	00263-90520	SCREW	4	
33	1970-51241	WASHER	1		95	5580-32111	COVER	1	
34	5501-71110	ROTOR	1		96	1850-32160	SCREW	1	
35	5501-71201	COIL ASSY	1		97	1900-31410	SCREW	2	
36	5500-71220	• CORD,high	1		98	5500-32210	GUARD	1	
37	2616-71320	• CAP	1		99	00263-90514	SCREW	1	
38	1900-72111	CAP	1		100	1216-73110	SPARKPLUG	1	Champion RCJ-8Y
39	1900-72120	SPRING	1		101	1852-72120	GROMMET	1	
40	5500-72130	GROMMET	1		102	5500-73201	CORD COMP	1	
41	1260-71261	SPACER	2		103	1140-72231	CLAMP	1	
42	3310-72150	BOLT	2		104	5504-85001	TANK ASSY	1	
43	5500-75000	STARTER ASSY	1		105	5504-85201	• CAP ASSY	1	
44	5500-75100	• RECOIL ASSY	1		106	5500-85220	•• PACKING	1	
45	1850-75120	•• REEL	1		107	3317-57242	•• STOPPER	1	
46	1850-75130	•• SPIRING,spairal	1		108	5500-85602	• BREATHER ASSY	1	
47	1850-75151	•• SCREW	1		109	1950-86120	•• CLIP	1	
48	1850-75160	•• ROPE	1		110	5500-85300	• PIPE COMP	1	
49	1140-75320	•• KNOB	1		111	5500-85400	• FILTER ASSY	1	
50	5500-75170	•• TAPE	1		112	1260-85460	• CLIP	1	
51	1850-75201	• PULLEY ASSY	1		113	5500-85510	SCREW	2	
52	1850-75221	•• RATCHET	1		114	1140-72231	CLAMP	1	
53	1850-75230	•• SPRING	1		115	5912-91120	LABEL,recoil	1	
54	00263-90416	SCREW	4		116	5500-91130	LABEL,cover	1	
55	5500-81002	CARBRETOR ASSY	1						
56	1850-81450	• BODY ASSY	1						
57	3306-81380	•• SCREEN	1						
58	3356-81310	•• VALVE	1						
59	1850-81270	•• SPRING	1						
60	1850-81220	•• SCREW	1						
61	3310-81250	•• PIN	1						
62	3310-81230	•• LEVER	1						

PARTS LIST

BRUSHCUTTERS

BC2600LE

BC2600LE**NOTE :**

1. Use KOMATSU ZENOAH genuine parts specified in the parts list for repair and/or replacement.
2. KOMATSU ZENOAH does not warrant the machines, those which have been damaged by the use of any parts other than those specified by the company.
3. When placing orders of parts for repair and/or replacement, check if the model name and the serial number are suitable to those specified in the parts list, then use parts number described in the parts list.
4. The contents described in the parts list are as of July 1997 may change due to improvement.
5. The parts for the machine shall be supplied within ten (10) years after the machine is discontinued. [It is possible that some specific parts may be subject to change of their delivery term and list price within the limit of ten (10) years after the machine is discontinued. And it is also possible that some parts may be available even after the limit of ten (10) years.]

Fig.1 CUTTER GROUP

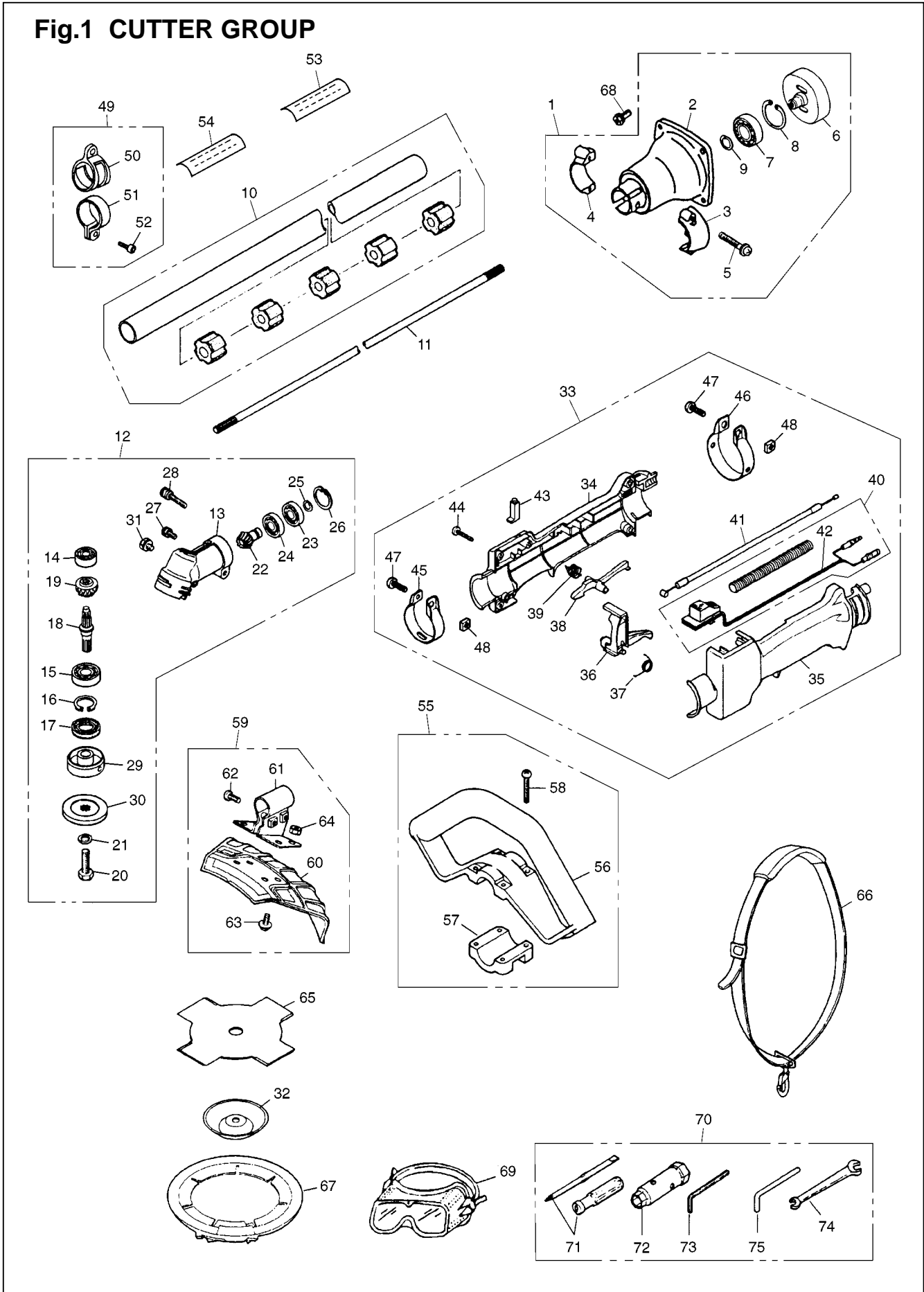


Fig.1 CUTTER GROUP

Key#	PART NUMBER	DESCRIPTION	Q'TY /UNIT	NOTE	Key#	PART NUMBER	DESCRIPTION	Q'TY /UNIT	NOTE
1	6574-11000	HOUSING ASSY	1		56	6420-14311	• HANDLE	1	
2	6470-11110	• HOUSING	1		57	6420-14320	• CLAMP	1	
3	6460-11130	• CLAMP-L	1		58	00263-90535	• SCREW	4	
4	6460-11140	• CLAMP-R	1		59	5764-24000	GUARD ASSY	1	
5	3350-21320	• BOLT	2		60	5766-24110	• GUARD	1	
6	6460-12110	• DRUM	1		61	3250-24120	• BRACKET	1	
7	06004-06001	• BEARING	1		62	00225-10620	• BOLT	2	
8	04065-02812	• RING	1		63	00263-30614	• SCREW	4	
9	04064-01210	• RING	1		64	00280-10605	• NUT	4	
10	6038-11301	PIPE COMP	1		65	6298-14243	SAW	1	
11	6784-12210	SHAFT	1		66	6489-17200	STRAP ASSY	1	
12	6440-13002	GEARCASE ASSY	1		67	6251-15910	COVER,blade	1	
13	6440-13122	• GEARCASE	1		68	6468-91150	BOLT	1	
14	06000-00626	• BEARING	1		69	6242-92110	GOGGLE	1	
15	06000-06000	• BEARING	1		70	3550-91000	TOOL SET	1	
16	04065-02612	• RING	1		71	1030-91340	• DRIVER	1	
17	3565-13130	• SEAL	1		72	3239-91310	• SOCKET	1	
18	6440-13211	• SHAFT,gear	1		73	09007-00425	• WRENCH	1	
19	6440-13220	• GEAR	1		74	3540-91120	• SPANNER	1	
20	3560-13261	• BOLT	1		75	3540-91110	• BAR	1	
21	3560-13290	• WASHER	1						
22	6440-13311	• PINION	1						
23	06001-00609	• BEARING	1						
24	06000-00609	• BEARING	1						
25	3210-13330	• RING	1						
26	04065-02412	• RING	1						
27	01252-30510	• BOLT	1						
28	3350-21320	• BOLT	1						
29	6440-13242	• HOLDER(A)	1						
30	6019-13250	• HOLDER(B)	1						
31	00224-40610	• BOLT	1						
32	6420-13280	COVER	1						
33	6423-11330	GRIP ASSY	1						
34	6464-12210	• GRIP(R)	1						
35	6464-12220	• GRIP(L)	1						
36	6464-12230	• LEVER	1						
37	1638-84170	• SPRING	1						
38	6464-12240	• LEVER	1						
39	1638-84180	• SPRING	1						
40	6423-12230	• SWITCH COMP	1						
41	6423-11390	• CABEL COMP	1						
42	6423-12430	• CORD COMP	1						
43	1638-84150	• STOPPER	1						
44	1638-84220	• SCREW	4						
45	6464-12250	• CLAMP	1						
46	1638-84160	• CLAMP	1						
47	00263-60620	• SCREW	2						
48	1638-84190	• NUT	2						
49	6130-18000	HANGER ASSY	1						
50	6130-18101	• HANGER	1						
51	6130-18200	• CLAMP	1						
52	00263-90520	• SCREW	1						
53	5764-12510	PLATE,name	1						
54	6425-12552	PLATE,caution	1						
55	6420-14100	HANDLE ASSY	1						

Fig.2 ENGINE GROUP

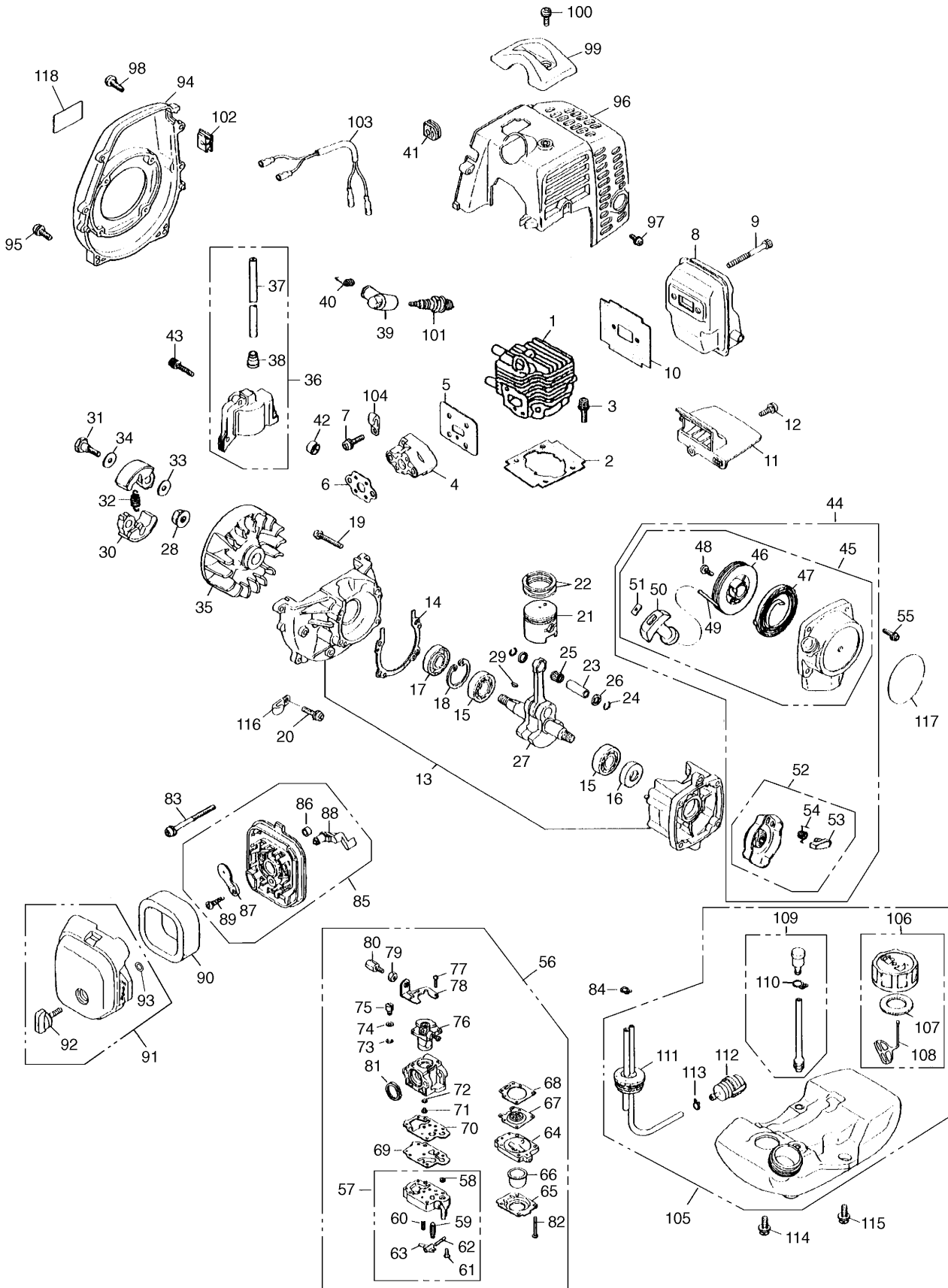


Fig.2 ENGINE GROUP

Key#	PART NUMBER	DESCRIPTION	Q'TY /UNIT	NOTE	Key#	PART NUMBER	DESCRIPTION	Q'TY /UNIT	NOTE
1	5910-12110	CYLINDER	1		63	3310-81230	•• LEVER	1	
2	5500-12211	GASKET,base	1		64	1850-81490	• BODY	1	
3	1850-12130	BOLT	2		65	1850-81520	• COVER	1	
4	1920-13162	INSULATOR	1		66	1751-81510	• PUMP	1	
5	5500-13120	GASKET,insulator	1		67	3310-81260	• DIAPHRAGM ASSY	1	
6	5500-13130	GASKET,carburetor	1		68	1850-81470	• GASKET	1	
7	00263-90520	SCREW	2		69	1065-81420	• DIAPHRAGM	1	
8	5580-15110	MUFFLER	1		70	1065-81410	• GASKET	1	
9	01252-30550	BOLT	2		71	1850-81251	• JET	1	
10	5500-15210	GASKET	1		72	1751-81240	• O-RING	4	
11	5500-15220	PLATE	1		73	1751-81130	• RING	2	
12	00263-90416	SCREW	1		74	5500-81160	• WASHER	1	
13	5500-21100	CRANKCASE COMP	1		75	1881-81140	• SWIVEL	1	
14	5500-21140	GASKET,case	1		76	5500-81152	• VALVE ASSY	1	
15	06030-06001	BEARING	2		77	1752-81110	• SCREW	2	
16	2169-21210	OIL SEAL	1		78	5500-81120	• BRAKET	1	
17	1850-21220	OIL SEAL	1		79	1751-81180	• NUT	1	
18	04065-02812	SNAP RING	1		80	1918-81170	• SCREW	1	
19	01252-30530	BOLT	4		81	1881-81130	• RING	1	
20	00263-90514	SCREW	1		82	1850-81530	• SCREW	1	
21	5910-41110	PISTON	1		83	00263-30555	SCREW	2	
22	5910-41210	RING	2		84	1950-86120	CLIP	1	
23	1600-41310	PIN	1		85	5500-82102	BODY ASSY	1	
24	1260-41320	SNAP RING	2		86	1970-82190	• SLEEVE	2	
25	1140-41330	BEARING	1		87	5500-82131	• PLATE	1	
26	1101-41340	WASHER	2		88	5500-82140	• LVEVER	1	
27	5500-42001	CRANKSHAFT COMP	1		89	2630-33610	• SCREW	1	
28	1650-43230	NUT	1		90	5500-82171	ELEMENT	1	
29	1000-43240	KEY	1		91	5600-82201	COVER ASSY	1	
30	1400-51111	SHOE	2		92	5500-82221	• KNOB	1	
31	1140-51250	SCREW	2		93	5500-82230	• RING	1	
32	1970-51221	SPRING	1		94	5501-31111	COVER	1	
33	1140-51230	WASHER	1		95	00263-90520	SCREW	4	
34	1970-51241	WASHER	1		96	5580-32111	COVER	1	
35	5501-71110	ROTOR	1		97	1850-32160	SCREW	1	
36	5501-71201	COIL ASSY	1		98	1900-31410	SCREW	2	
37	5500-71220	• CORD,high	1		99	5500-32210	GUARD	1	
38	2616-71320	• CAP	1		100	00263-90514	SCREW	1	
39	1900-72111	CAP	1		101	5602-73110	SPARKPLUG	1	Champion RCJ-6Y
40	1900-72120	SPRING	1		102	1852-72120	GROMMET	1	
41	5500-72130	GROMMET	1		103	5500-73201	CORD COMP	1	
42	1260-71261	SPACER	2		104	1140-72231	CLAMP	1	
43	3310-72150	BOLT	2		105	5912-85001	TANK ASSY	1	
44	5500-75000	STARTER ASSY	1		106	5504-85201	• CAP ASSY	1	
45	5500-75100	• RECOIL ASSY	1		107	5500-85220	•• PACKING	1	
46	1850-75120	•• REEL	1		108	3317-57242	•• STOPPER	1	
47	1850-75130	•• SPIRING,spiral	1		109	5500-85602	• BREATHER ASSY	1	
48	1850-75151	•• SCREW	1		110	1950-86120	•• CLIP	1	
49	1850-75160	•• ROPE	1		111	5911-85300	• PIPE COMP	1	
50	1140-75320	•• KNOB	1		112	5500-85400	• FILTER ASSY	1	
51	5500-75170	•• TAPE	1		113	1260-85460	• CLIP	1	
52	1850-75201	• PULLEY ASSY	1		114	5500-85510	SCREW	2	
53	1850-75221	•• RATCHET	1		115	5910-85510	SCREW	1	
54	1850-75230	•• SPRING	1		116	1140-72231	CLAMP	1	
55	00263-90416	SCREW	4		117	5912-91120	LABEL,recoil	1	
56	5912-81000	CARBRETOR ASSY	1		118	5500-91130	LABEL,cover	1	
57	1850-81450	• BODY ASSY	1						
58	3306-81380	•• SCREEN	1						
59	3356-81310	•• VALVE	1						
60	1850-81270	•• SPRING	1						
61	1850-81220	•• SCREW	1						
62	3310-81250	•• PIN	1						

PARTS LIST

BRUSHCUTTERS

BC340WE

NOTE :

1. Use KOMATSU ZENOAH genuine parts specified in the parts list for repair and/or replacement.
2. KOMATSU ZENOAH does not warrant the machines, those which have been damaged by the use of any parts other than those specified by the company.
3. When placing orders of parts for repair and/or replacement, check if the model name and the serial number are suitable to those specified in the parts list, then use parts number described in the parts list.
4. The contents described in the parts list are as of July 1997 may change due to improvement.
5. The parts for the machine shall be supplied within ten (10) years after the machine is discontinued. [It is possible that some specific parts may be subject to change of their delivery term and list price within the limit of ten (10) years after the machine is discontinued. And it is also possible that some parts may be available even after the limit of ten (10) years.]

BC340WE

Fig.1 CUTTER GROUP

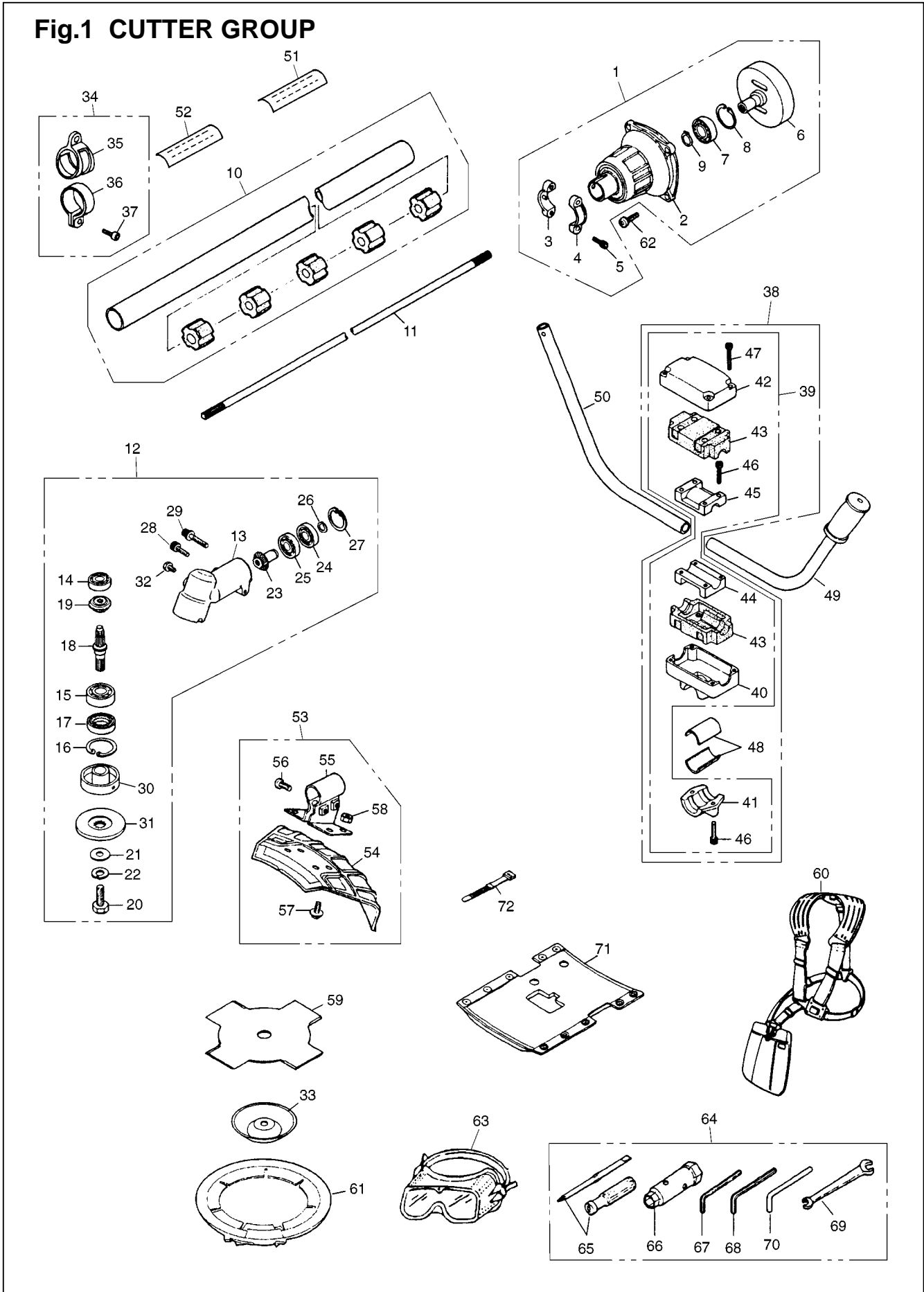


Fig.1 CUTTER GROUP

Key#	PART NUMBER	DESCRIPTION	Q'TY /UNIT	NOTE	Key#	PART NUMBER	DESCRIPTION	Q'TY /UNIT	NOTE
1	3531-11001	HOUSING ASSY	1		56	00225-10620	• BOLT	2	
2	3531-11101	• HOUSING COMP	1		57	00263-30614	• SCREW	4	
3	3531-11131	• CLAMP-L	1		58	00280-10605	• NUT	4	
4	3531-11141	• CLAMP-R	1		59	6298-14243	SAW	1	
5	3350-21320	• BOLT	2		60	6220-17201	HARNES ASSY	1	
6	3530-11310	• DRUM	1		61	6251-15910	COVER,blade	1	
7	06004-06202	• BEARING	1		62	6468-91150	BOLT	4	
8	04065-03515	• RING	1		63	6242-92110	GOGGLE	1	
9	04064-01510	• RING	1		64	3532-91000	TOOL SET	1	
10	6039-11300	PIPE COMP	1		65	1030-91340	• DRIVER	1	
11	3520-12212	SHAFT	1		66	3239-91310	• SOCKET	1	
12	3530-13906	GEARCASE ASSY	1		67	09007-00425	• WRENCH	1	
13	3541-13194	• GEARCASE	1		68	09007-00528	• WRENCH	1	
14	06000-06000	• BEARING	1		69	3540-91120	• SPANNER	1	
15	06000-06201	• BEARING	1		70	3540-91110	• BAR	1	
16	04065-03212	• RING	1		71	3523-17112	PROTECTOR	1	
17	3180-13141	• SEAL	1		72	3540-93120	BAND	1	
18	3541-13212	• SHAFT,gear	1						
19	3180-13220	• GEAR	1						
20	3579-33260	• BOLT	1						
21	01643-30823	• WASHER	1						
22	3310-43210	• WASHER	1						
23	3530-13311	• PINION	1						
24	06001-06000	• BEARING	1						
25	06000-06000	• BEARING	1						
26	3180-13330	• RING	1						
27	04065-02612	• RING	1						
28	01252-30510	• BOLT	1						
29	3540-13260	• BOLT	1						
30	3541-13241	• HOLDER(A)	1						
31	3541-13251	• HOLDER(B)	1						
32	00224-40610	• BOLT	1						
33	3520-13284	COVER	1						
34	9366-17100	HANGER ASSY	1						
35	9366-17110	• HANGER	1						
36	9366-17120	• CLAMP	1						
37	00263-90525	• SCREW	1						
38	3530-14900	BRACKET ASSY	1						
39	3540-14900	• BRACKET ASSY	1						
40	3540-14910	•• BRACKET	1						
41	3540-14920	•• CAP-L	1						
42	3540-14930	•• CAP-U	1						
43	3540-14140	•• ABSORBER	2						
44	3450-14150	•• CLAMP-A	1						
45	3540-14160	•• CLAMP-B	1						
46	01252-30525	•• BOLT	6						
47	01252-30530	•• BOLT	4						
48	3530-14171	• SPACER	2						
49	6465-14200	HANDLE-L	1						
50	6350-14230	HANDLE-R	1						
51	5765-12510	PLATE,name	1						
52	6425-12552	PLATE,caution	1						
53	5765-24000	GUARD ASSY	1						
54	5766-24110	• GUARD	1						
55	3253-24120	• BRACKET	1						

Fig.2 ENGINE GROUP

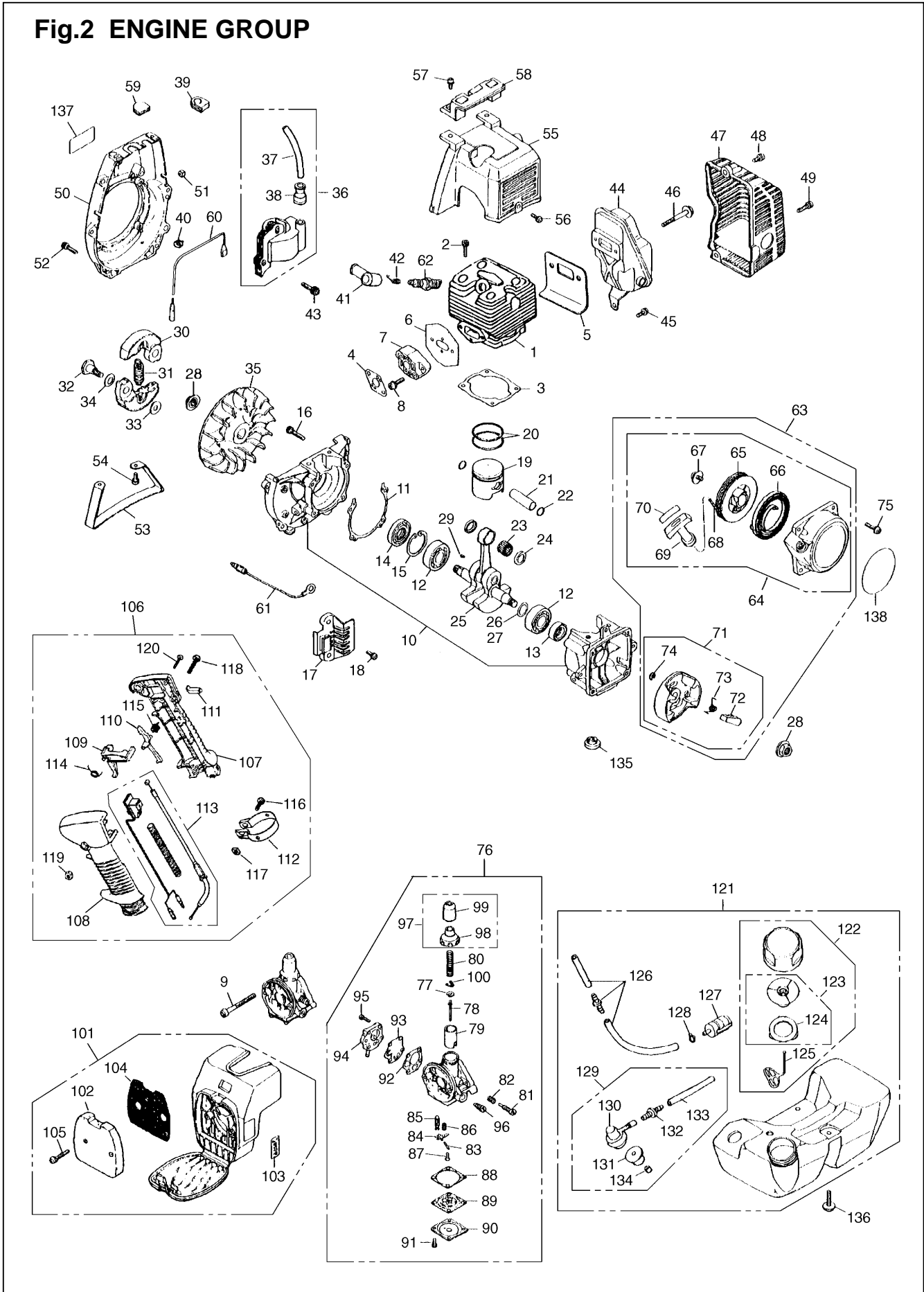


Fig.2 ENGINE GROUP

Key#	PART NUMBER	DESCRIPTION	Q'TY /UNIT	NOTE	Key#	PART NUMBER	DESCRIPTION	Q'TY /UNIT	NOTE
1	1650-12112	CYLINDER	1		72	1600-75220	•• RATCHET	1	
2	3310-12281	BOLT	4		73	1600-75230	•• SPRING	1	
3	1650-13120	GASKET	1		74	1034-72180	•• E-RING	1	
4	1600-13130	GASKET	1		75	00263-90520	SCREW	1	
5	1670-13141	GASKET	1		76	1672-81003	CARBURETOR ASSY	1	
6	1600-13150	GASKET	1		77	1600-81120	• RETAINER	1	
7	1600-13160	INSULATOR	1		78	1670-81130	• NEEDLE	1	
8	00263-90520	SCREW	2		79	1670-81140	• VALVE	1	
9	00260-00545	SCREW	2		80	1600-81150	• SPRING	1	
10	1650-21102	CRANKCASE COMP	1		81	1188-81162	• SCREW	1	
11	1650-21140	GASKET	1		82	1188-81170	• SPRING	1	
12	06030-06201	BEARING	2		83	1188-81180	• PIN	1	
13	2169-21210	SEAL	1		84	1188-81190	• ARM	1	
14	1650-21220	SEAL	1		85	1188-81211	• VALVE	1	
15	04065-03212	RING	4		86	1188-81220	• SPRING	1	
16	01252-30530	BOLT	1		87	1188-81230	• SCREW	1	
17	2155-21311	GUARD	1		88	1600-81320	• GASKET	1	
18	00263-90514	SCREW	2		89	1600-81240	• DIAPHRAGM ASSY	1	
19	1650-41111	PISTON	1		90	1565-81240	• COVER	1	
20	1650-41210	RING	2		91	00260-10308	• SCREW	4	
21	1650-41310	PIN	1		92	1188-81280	• GASKET	1	
22	3310-41320	RING	2		93	1670-81270	• DIAPHRAGM	1	
23	3310-41410	BEARING	1		94	1600-81260	• COVER ASSY	1	
24	1650-41510	WASHER	2		95	00260-10312	• SCREW	4	
25	1650-42000	CRANKSHAFT COMP	1		96	1188-81310	• NEEDLE	1	
26	1300-43260	SHIM	0~		97	1188-81300	• CAP COMP	1	
27	1400-43250	SHIM	0~		98	1188-81250	•• CAP	1	
28	1650-43230	NUT	2		99	1188-81330	•• SEAL	1	
29	1000-43240	KEY	1		100	1600-81411	• CLIP	1	
30	1400-51111	SHOE	2		101	1671-82001	CLEANER ASSY	1	
31	1400-51220	SPRING	1		102	1600-82120	• ELEMENT	1	
32	1200-51211	SCREW	2		103	1133-82060	• LABEL	1	
33	1200-51230	WASHER	2		104	1600-82140	• SCREEN	1	
34	1200-51240	WASHER	2		105	00260-30422	SCREW	2	
35	2155-71110	ROTOR	1		106	2175-84000	LEVER ASSY	1	
36	2113-71200	COIL ASSY	1		107	1638-84110	GRIP-R	1	
37	2113-71220	• CORD,high	1		108	1638-84120	GRIP-L	1	
38	2616-71320	• CAP	1		109	1638-84130	• LEVER	1	
39	5500-72130	GROMMET	1		110	1638-84140	• LEVER	1	
40	1100-72120	GROMMET	1		111	1638-84150	• LOCK	1	
41	1900-72111	CAP	1		112	1638-84160	• BAND	1	
42	1900-72120	SPRING	1		113	2175-84300	• CABLE COMP	1	
43	00263-90520	SCREW	2		114	1638-84170	• SPRING	1	
44	1670-15110	MUFFLER	1		115	1638-84180	• SPRING	1	
45	00263-90512	SCREW	1		116	00263-60620	• SCREW	1	
46	1650-15150	BOLT	1		117	1638-84190	• NUT	1	
47	1670-15210	COVER	1		118	00260-60535	• SCREW	1	
48	3310-12281	BOLT	1		119	1638-84210	• NUT	1	
49	3350-21320	BOLT	1		120	1638-84220	• SCREW	1	
50	1650-31112	COVER	1		121	2116-85000	TANK ASSY	1	
51	1100-72120	GROMMET	1		122	2116-85201	• CAP ASSY	1	
52	3310-12281	BOLT	4		123	2116-85300	•• VALVE COMP	1	
53	3540-93110	STAND	1		124	1600-85322	••• PACKING	1	
54	3310-31720	BOLT	2		125	3317-57242	•• STOPPER	1	
55	1670-32113	COVER	1		126	1606-85400	• PIPE COMP	1	
56	00263-90512	SCREW	1		127	3302-85400	• FILTER ASSY	1	
57	00263-90520	SCREW	1		128	1260-85460	• CLIP	1	
58	1670-33110	GUARD	1		129	1606-85601	• PUMP COMP	1	
59	1630-72150	GROMMET	1		130	1606-85610	•• PUMP	1	
60	2116-71240	CORD	1		131	1600-85620	•• GROMMET	1	
61	2116-71250	CORD,earth	1		132	1600-85630	•• JOINT	1	
62	1216-73110	SPARKPLUG	1	RCJ-6Y	133	1000-03095	•• TUBE	1	
63	1600-75000	STARTER ASSY	1		134	1600-85651	•• VALVE	1	
64	1600-75101	• RECOIL ASSY	1		135	1600-86110	WASHER	3	
65	1600-75120	•• REEL ASSY	1		136	1600-86120	SCREW	3	
66	1600-75130	•• SPRING	1		137	1660-31121	LABEL	1	
67	1600-75151	•• SCREW	1		138	1654-75411	LABEL	1	
68	1600-75160	•• ROPE	1						
69	1140-75320	•• KNOB	1						
70	1600-75180	•• TAPE	1						
71	1600-75201	• PULLEY ASSY	1						

PARTS LIST

BRUSHCUTTERS

BC430WE

NOTE :

1. Use KOMATSU ZENOAH genuine parts specified in the parts list for repair and/or replacement.
2. KOMATSU ZENOAH does not warrant the machines, those which have been damaged by the use of any parts other than those specified by the company.
3. When placing orders of parts for repair and/or replacement, check if the model name and the serial number are suitable to those specified in the parts list, then use parts number described in the parts list.
4. The contents described in the parts list are as of July 1997 may change due to improvement.
5. The parts for the machine shall be supplied within ten (10) years after the machine is discontinued. [It is possible that some specific parts may be subject to change of their delivery term and list price within the limit of ten (10) years after the machine is discontinued. And it is also possible that some parts may be available even after the limit of ten (10) years.]

BC430WE

Fig.1 CUTTER GROUP

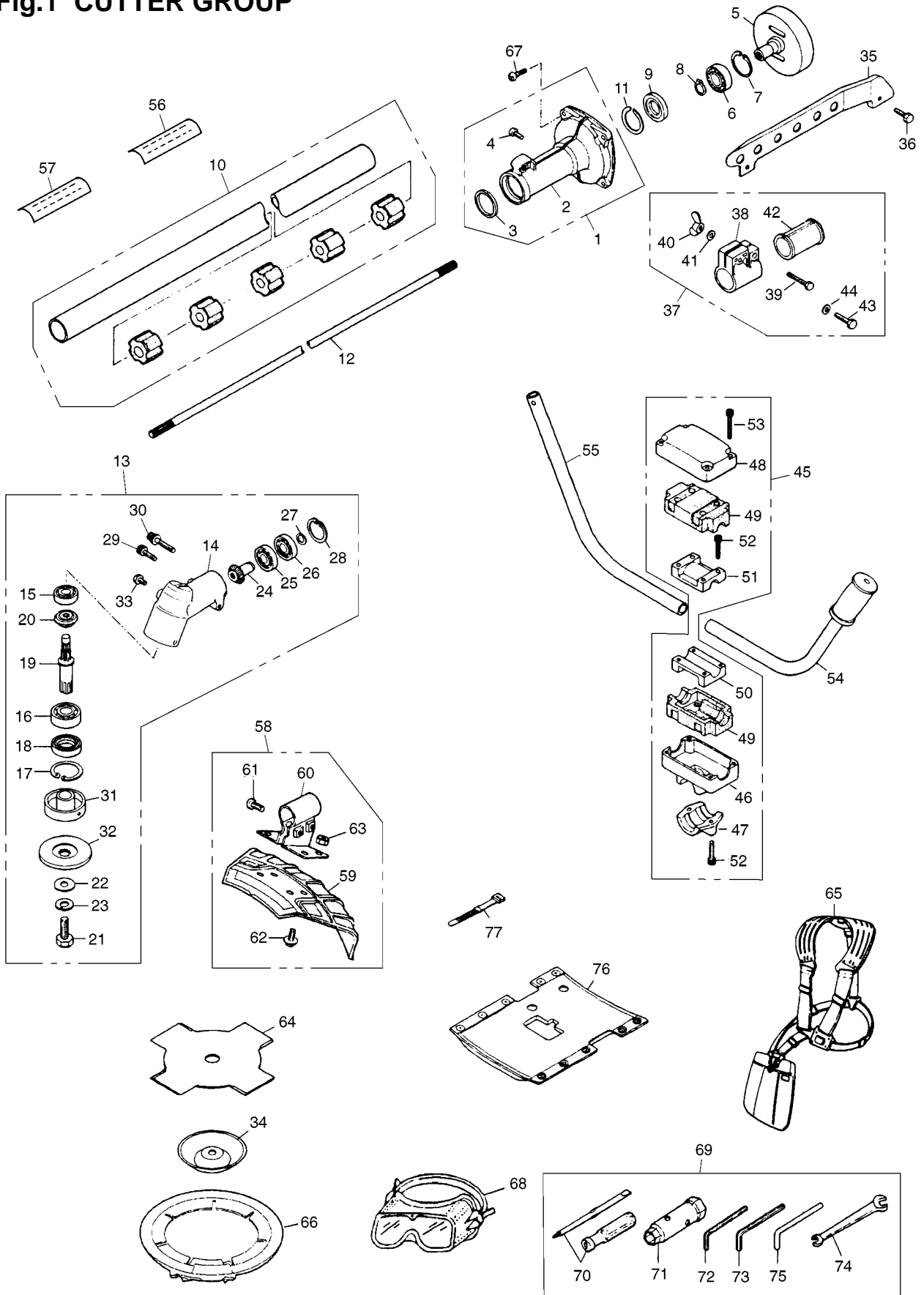


Fig.1 CUTTER GROUP

Key#	PART NUMBER	DESCRIPTION	Q'TY /UNIT	NOTE	Key#	PART NUMBER	DESCRIPTION	Q'TY /UNIT	NOTE
1	3540-11102	HOUSING COMP	1		56	5766-12510	PLATE,name	1	
2	3540-11112	•HOUSING	1		57	6425-12552	PLATE,caution	1	
3	3144-11150	•SEAL	1		58	5766-24000	GUARD ASSY	1	
4	00263-20610	•SCREW	1		59	5766-24110	•GUARD	1	
5	3540-11311	DRUM	1		60	3231-24120	•BRACKET	1	
6	06004-06202	BEARING	1		61	00225-10620	•BOLT	2	
7	04065-03515	RING	1		62	00263-30614	•SCREW	4	
8	04064-01510	RING	1		63	00280-10605	•NUT	4	
9	3540-11410	SPACER	1		64	6298-14343	SAW	1	
10	6340-12101	PIPE COMP	1		65	6220-17201	HARNES ASSY	1	
11	3260-11410	•RING	1		66	6251-15910	COVER,blade	1	
12	6340-12210	SHAFT	1		67	6468-91150	BOLT	4	
13	5766-13000	GEARCASE ASSY	1		68	6242-92110	GOGGLE	1	
14	5766-13110	•GEARCASE	1		69	3542-91000	TOOL SET	1	
15	06000-06000	•BEARING	1		70	1030-91340	•DRIVER	1	
16	06000-06202	•BEARING	1		71	3144-91160	•SOCKET	1	
17	04065-03515	•RING	1		72	09007-00425	•WRENCH	1	
18	3130-13141	•SEAL	1		73	09007-00528	•WRENCH	1	
19	3540-13212	•SHAFT,gear	1		74	3540-91120	•SPANNER	1	
20	3540-13220	•GEAR	1		75	3540-91110	•BAR	1	
21	3540-13290	•BOLT	1		76	3523-17112	PROTECTOR	1	
22	01643-31032	•WASHER	1		77	3540-93120	BAND	1	
23	3544-13280	•WASHER	1						
24	3540-13311	•PINION	1						
25	06000-06001	•BEARING	1						
26	06001-06001	•BEARING	1						
27	3130-13270	•RING	1						
28	04065-02812	•RING	1						
29	01252-30510	•BOLT	1						
30	3540-13260	•BOLT	1						
31	3540-13241	•HOLDER(A)	1						
32	3540-13251	•HOLDER(B)	1						
33	00224-40610	•BOLT	1						
34	3540-13283	COVER	1						
35	6550-11420	HANGER	1						
36	00225-10616	BOLT	1						
37	3540-11441	BRACKET COMP	1						
38	3540-11432	•BRACKET	1						
39	00224-0635	•BOLT	1						
40	3540-11460	•NUT	1						
41	01642-20608	•WASHER	1						
42	3540-11450	•SPACER	1						
43	00224-00625	•BOLT	1						
44	01642-20608	•WASHER	1						
45	3540-14900	BRACKET ASSY	1						
46	3540-14910	•BRACKET	1						
47	3540-14920	•CAP-L	1						
48	3540-14930	•CAP-U	1						
49	3540-14140	•ABSORBER	2						
50	3450-14150	•CLAMP-A	1						
51	3540-14160	•CLAMP-B	1						
52	01252-30525	•BOLT	6						
53	01252-30530	•BOLT	4						
54	6465-14200	HANDLE-L	1						
55	6350-14230	HANDLE-R	1						

Fig.2 ENGINE GROUP

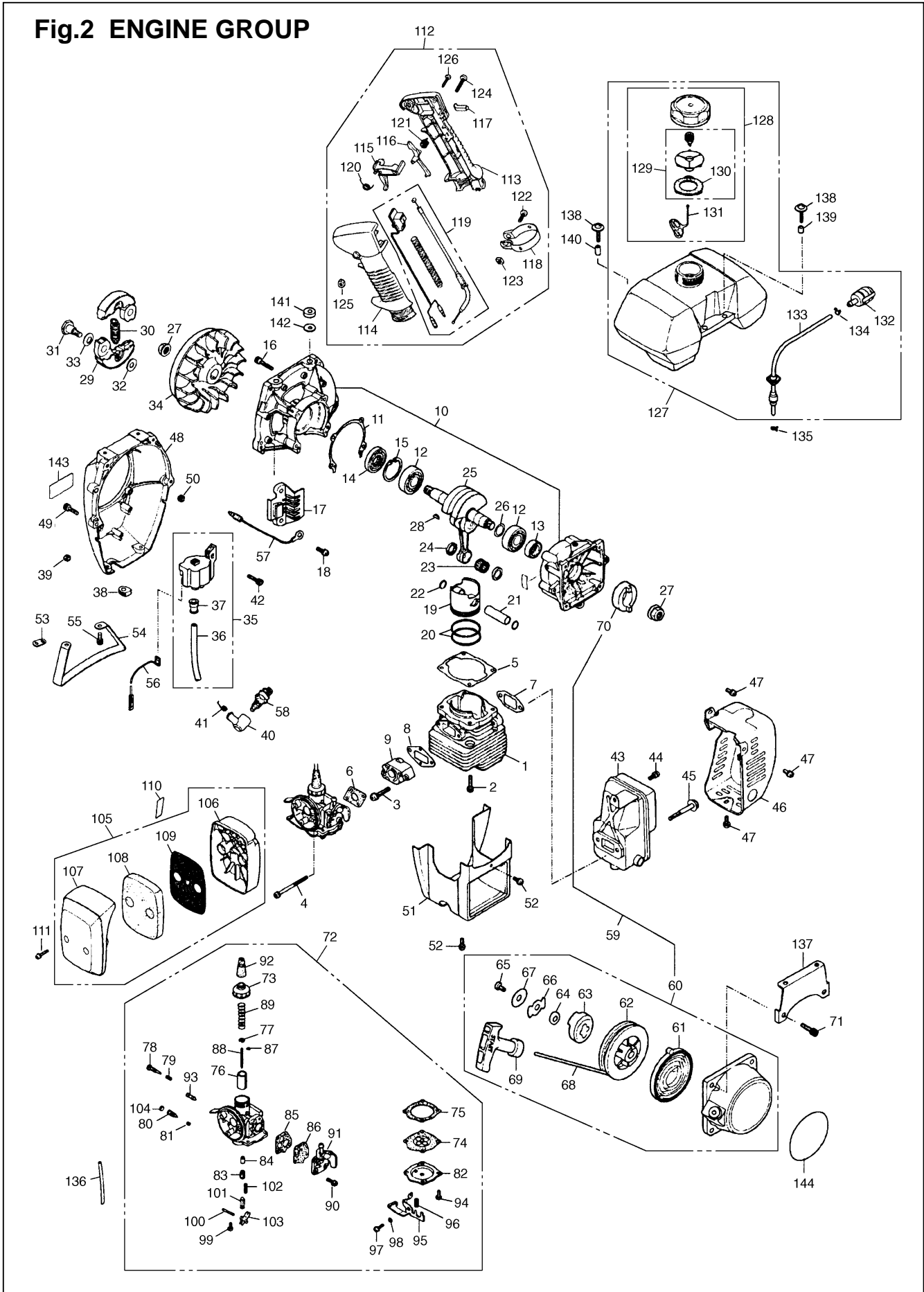


Fig.2 ENGINE GROUP

Key#	PART NUMBER	DESCRIPTION	Q'TY /UNIT	NOTE	Key#	PART NUMBER	DESCRIPTION	Q'TY /UNIT	NOTE
1	1400-12113	CYLINDER	1		73	1650-81122	• CAP	1	
2	3310-12281	BOLT	4		74	1420-81480	• DIAPHRAGM ASSY	1	
3	00260-30525	SCREW	2		75	1101-81950	• PACKING	1	
4	00260-30540	SCREW	2		76	1420-81150	• VALVE	1	
5	1400-13121	GASKET	1		77	1335-81070	• RECEIVE	1	
6	1420-13130	GASKET	1		78	1038-81001-29	• SCREW	1	
7	1400-13142	GASKET	1		79	1650-81260	• SPRING	1	
8	1400-13150	GASKET	1		80	1420-81271	• SCREW	1	
9	1420-13160	INSULATOR	1		81	1420-81370	• SPRING	1	
10	1400-21100	CRANKCASE COMP	1		82	1420-81490	• COVER	1	
11	1400-21140	GASKET	1		83	1420-81420	• HOLDER	1	
12	06030-06202	BEARING	2		84	1420-81410	• JET	1	
13	1520-21220	SEAL	1		85	1420-81730	• PACKING	1	
14	1400-21220	SEAL	1		86	1420-81720	• PUMP	1	
15	04065-03515	RING	4		87	1101-81190	• CLIP	1	
16	01252-30530	BOLT	1		88	1580-81180	• NEEDLE	1	
17	2155-21311	GUARD	1		89	1335-81060	• SPRING	1	
18	00263-90514	SCREW	2		90	00260-10310	• SCREW	4	
19	1400-41111	PISTON	1		91	1422-81800	• COVER ASSY	1	
20	1400-41220	RING	2		92	1141-81120	• CAP	1	
21	1400-41310	PIN	1		93	1130-81170	• VALVE	1	
22	3350-41320	RING	2		94	00260-10308	• SCREW	4	
23	1400-41410	BEARING	1		95	1420-81510	• LEVER	1	
24	2616-41510	WASHER	2		96	1420-81520	• SPRING	1	
25	1400-42002	CRANKSHAFT COMP	1		97	00260-00408	• SCREW	1	
26	1300-42410	SHIM	0~1		98	1420-81530	• COLLAR	1	
27	1400-43230	NUT	2		99	00260-00306	• SCREW	1	
28	1000-43240	KEY	1		100	1100-81461	• PIN	1	
29	1075-51113	SHOE	2		101	1100-81440	• VALVE	2	
30	1075-51220	SPRING	1		102	1420-81430	• SPRING	1	
31	1200-51211	SCREW	2		103	1420-81450	• LEVER	1	
32	1200-51230	WASHER	2		104	1420-81620	• PLATE	1	
33	1200-51240	WASHER	2		105	1400-82001	CLEANER ASSY	1	
34	2073-71110	ROTOR	1		106	1400-82112	• BODY	1	
35	2155-71200	COIL ASSY	1		107	1400-82120	• COVER	1	
36	2155-71220	• CORD,high	1		108	1418-82130	• ELEMENT	1	
37	2616-71320	• CAP	1		109	1400-82140	• SCREEN	1	
38	5500-72130	GROMMET	1		110	1133-82060	LABEL	1	
39	1100-72120	GROMMET	1		111	00260-30422	SCREW	2	
40	1900-72111	CAP	1		112	2175-84000	LEVER ASSY	1	
41	1900-72120	SPRING	1		113	1638-84110	GRIP-R	1	
42	00263-90520	SCREW	2		114	1638-84120	GRIP-L	1	
43	1400-15111	MUFFLER	1		115	1638-84130	• LEVER	1	
44	00263-90512	SCREW	1		116	1638-84140	• LEVER	1	
45	1400-15150	BOLT	1		117	1638-84150	• LOCK	1	
46	1400-15410	COVER,muffler	1		118	1638-84160	• BAND	1	
47	00263-90512	SCREW	3		119	2175-84300	• CABLE COMP	1	
48	1400-31113	COVER	1		120	1638-84170	• SPRING	1	
49	3310-12281	BOLT	4		121	1638-84180	• SPRING	1	
50	1100-72120	GROMMET	1		122	00263-60620	• SCREW	1	
51	1462-32111	COVER	1		123	1638-84190	• NUT	1	
52	00263-90512	SCREW	2		124	00260-60535	• SCREW	1	
53	1600-86130	CLAMP	1		125	1638-84210	• NUT	1	
54	3540-93110	STAND	1		126	1638-84220	• SCREW	1	
55	3310-31720	BOLT	2		127	1439-85000	TANK ASSY	1	
56	2215-71240	CORD	1		128	2116-85201	• CAP ASSY	1	
57	2116-71250	CORD,earth	1		129	2116-85300	•• VALVE COMP	1	
58	1216-73110	SPARKPLUG	1	RCJ-6Y	130	1600-85322	••• PACKING	1	
59	1487-75000	STARTER ASSY	1		131	3317-57242	•• STOPPER	1	
60	1487-75100	• RECOIL ASSY	1		132	1435-85401	• FILTER ASSY	1	
61	1180-75221	•• SPRING	1		133	1421-85400	• PUMP COMP	1	
62	1487-75120	•• REEL	1		134	1260-85460	• CLIP	1	
63	1487-75140	•• DOG	1		135	1063-86130	CLIP	1	
64	1861-75150	•• WASHER	1		136	1420-86180	PIPE	1	
65	1483-75270	•• SCREW	1		137	1400-86214	SUPPORT	1	
66	1487-75160	•• RETAINER	1		138	1600-86120	SCREW	4	
67	1487-75170	•• WASHER	1		139	1400-86250	COLLAR	2	
68	1400-75160	•• ROPE	1		140	1400-86260	COLLAR	2	
69	1400-75170	•• KNOB	1		141	1400-86271	CUSHION	2	
70	1487-75211	• PULLEY ASSY	1		142	1400-86280	WASHER	2	
71	00263-90520	SCREW	1		143	1970-31150	LABEL	1	
72	1436-81000	CARBURETOR ASSY	1		144	1400-75412	LABEL	1	

PARTS LIST

BRUSHCUTTERS

BC530WE

NOTE :

1. Use KOMATSU ZENOAH genuine parts specified in the parts list for repair and/or replacement.
2. KOMATSU ZENOAH does not warrant the machines, those which have been damaged by the use of any parts other than those specified by the company.
3. When placing orders of parts for repair and/or replacement, check if the model name and the serial number are suitable to those specified in the parts list, then use parts number described in the parts list.
4. The contents described in the parts list are as of July 1997 may change due to improvement.
5. The parts for the machine shall be supplied within ten (10) years after the machine is discontinued. [It is possible that some specific parts may be subject to change of their delivery term and list price within the limit of ten (10) years after the machine is discontinued. And it is also possible that some parts may be available even after the limit of ten (10) years.]

BC530WE

Fig.1 CUTTER GROUP

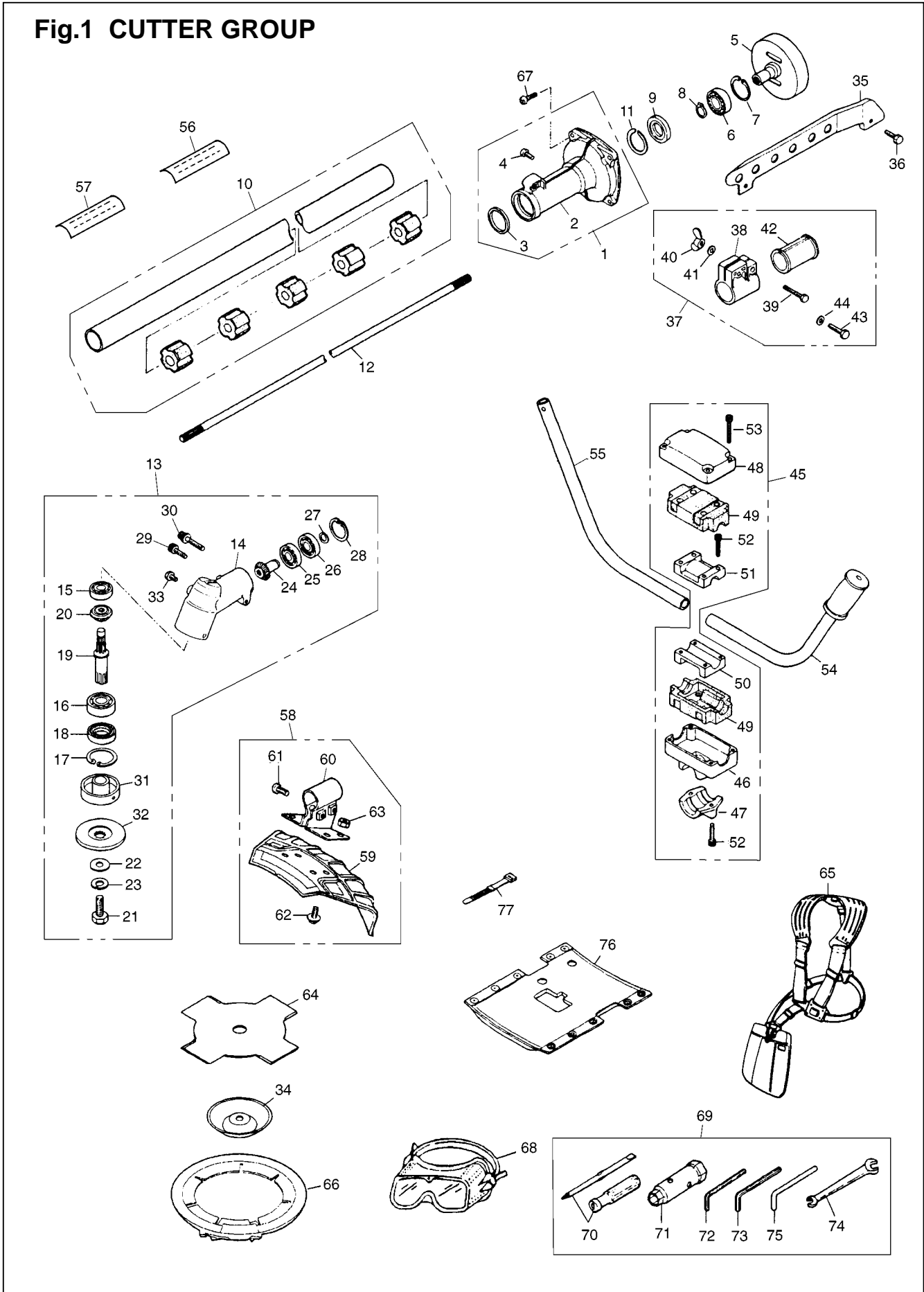


Fig.1 CUTTER GROUP

Key#	PART NUMBER	DESCRIPTION	Q'TY /UNIT	NOTE	Key#	PART NUMBER	DESCRIPTION	Q'TY /UNIT	NOTE
1	3540-11102	HOUSING COMP	1		56	5767-12510	PLATE,name	1	
2	3540-11112	•HOUSING	1		57	6425-12552	PLATE,caution	1	
3	3144-11150	•SEAL	1		58	5766-24000	GUARD ASSY	1	
4	00263-20610	•SCREW	1		59	5766-24110	•GUARD	1	
5	3540-11311	DRUM	1		60	3231-24120	•BRACKET	1	
6	06004-06202	BEARING	1		61	00225-10620	•BOLT	2	
7	04065-03515	RING	1		62	00263-30614	•SCREW	4	
8	04064-01510	RING	1		63	00280-10605	•NUT	4	
9	3540-11410	SPACER	1		64	6298-14343	SAW	1	
10	6340-12101	PIPE COMP	1		65	6220-17201	HARNES ASSY	1	
11	3260-11410	•RING	1		66	6251-15910	COVER,blade	1	
12	6340-12210	SHAFT	1		67	6468-91150	BOLT	4	
13	5766-13000	GEARCASE ASSY	1		68	6242-92110	GOGGLE	1	
14	5766-13110	•GEARCASE	1		69	3542-91000	TOOL SET	1	
15	06000-06000	•BEARING	1		70	1030-91340	•DRIVER	1	
16	06000-06202	•BEARING	1		71	3144-91160	•SOCKET	1	
17	04065-03515	•RING	1		72	09007-00425	•WRENCH	1	
18	3130-13141	•SEAL	1		73	09007-00528	•WRENCH	1	
19	3540-13212	•SHAFT,gear	1		74	3540-91120	•SPANNER	1	
20	3540-13220	•GEAR	1		75	3540-91110	•BAR	1	
21	3540-13290	•BOLT	1		76	3523-17112	PROTECTOR	1	
22	01643-31032	•WASHER	1		77	3540-93120	BAND	1	
23	3544-13280	•WASHER	1						
24	3540-13311	•PINION	1						
25	06000-06001	•BEARING	1						
26	06001-06001	•BEARING	1						
27	3130-13270	•RING	1						
28	04065-02812	•RING	1						
29	01252-30510	•BOLT	1						
30	3540-13260	•BOLT	1						
31	3540-13241	•HOLDER(A)	1						
32	3540-13251	•HOLDER(B)	1						
33	00224-40610	•BOLT	1						
34	3540-13283	COVER	1						
35	6550-11420	HANGER	1						
36	00225-10616	BOLT	1						
37	3540-11441	BRACKET COMP	1						
38	3540-11432	•BRACKET	1						
39	00224-0635	•BOLT	1						
40	3540-11460	•NUT	1						
41	01642-20608	•WASHER	1						
42	3540-11450	•SPACER	1						
43	00224-00625	•BOLT	1						
44	01642-20608	•WASHER	1						
45	3540-14900	BRACKET ASSY	1						
46	3540-14910	•BRACKET	1						
47	3540-14920	•CAP-L	1						
48	3540-14930	•CAP-U	1						
49	3540-14140	•ABSORBER	2						
50	3450-14150	•CLAMP-A	1						
51	3540-14160	•CLAMP-B	1						
52	01252-30525	•BOLT	6						
53	01252-30530	•BOLT	4						
54	6465-14200	HANDLE-L	1						
55	6350-14230	HANDLE-R	1						

Fig.2 ENGINE GROUP

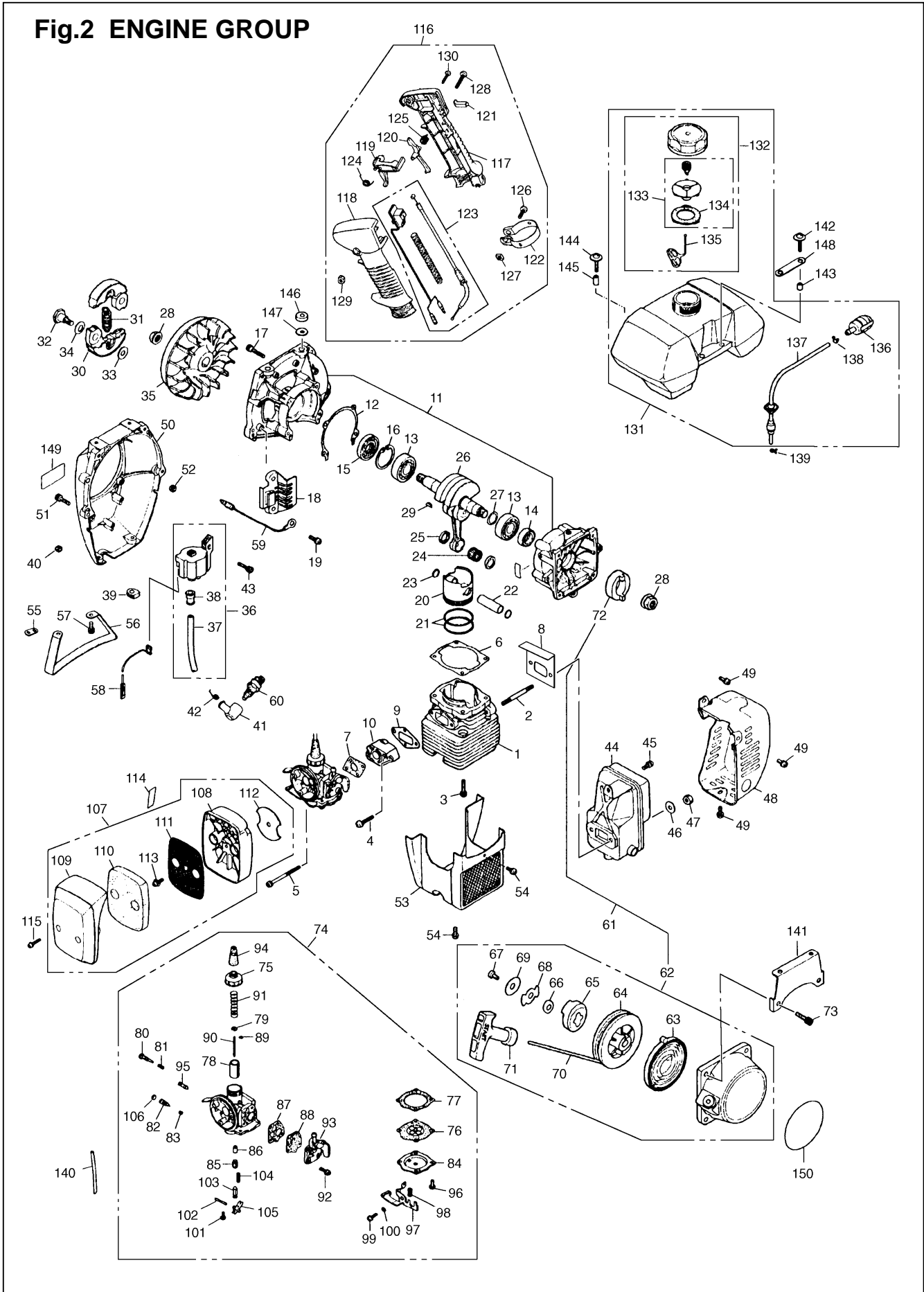


Fig.2 ENGINE GROUP

Key#	PART NUMBER	DESCRIPTION	Q'TY /UNIT	NOTE	Key#	PART NUMBER	DESCRIPTION	Q'TY /UNIT	NOTE
1	1580-12111	CYLINDER	1		76	1580-81480	• DIAPHRAGM ASSY	1	
2	1580-12150	STUD	2		77	1101-81950	• PACKING	1	
3	3310-12281	BOLT	4		78	1420-81150	• VALVE	1	
4	00260-30525	SCREW	2		79	1335-81070	• RECEIVE	1	
5	00260-30550	SCREW	2		80	1038-81001-29	• SCREW	1	
6	1400-13121	GASKET	1		81	1650-81260	• SPRING	1	
7	1420-13130	GASKET	1		82	1420-81271	• SCREW	1	
8	1580-13140	GASKET	1		83	1420-81370	• SPRING	1	
9	1400-13150	GASKET	1		84	1420-81490	• COVER	1	
10	1580-13160	INSULATOR	1		85	1420-81420	• HOLDER	1	
11	1400-21100	CRANKCASE COMP	1		86	1420-81410	• JET	1	
12	1400-21140	GASKET	1		87	1420-81730	• PACKING	1	
13	06030-06202	BEARING	2		88	1420-81720	• PUMP	1	
14	1520-21220	SEAL	1		89	1101-81190	• CLIP	1	
15	1400-21220	SEAL	1		90	1580-81180	• NEEDLE	1	
16	04065-03515	RING	4		91	1335-81060	• SPRING	1	
17	01252-30530	BOLT	1		92	00260-10310	• SCREW	4	
18	2155-21311	GUARD	1		93	1422-81800	• COVER ASSY	1	
19	00263-90514	SCREW	2		94	1141-81120	• CAP	1	
20	3360-41110	PISTON	1		95	1130-81170	• VALVE	1	
21	3360-41211	RING	2		96	00260-10308	• SCREW	4	
22	3360-41310	PIN	1		97	1420-81510	• LEVER	1	
23	3350-41320	RING	2		98	1420-81520	• SPRING	1	
24	1400-41410	BEARING	1		99	00260-00408	• SCREW	1	
25	2670-41510	WASHER	2		100	1420-81530	• COLLAR	1	
26	1400-42002	CRANKSHAFT COMP	1		101	00260-00306	• SCREW	1	
27	1300-42410	SHIM	0~1		102	1100-81461	• PIN	1	
28	1400-43230	NUT	2		103	1100-81440	• VALVE	2	
29	1000-43240	KEY	1		104	1420-81430	• SPRING	1	
30	1075-51113	SHOE	2		105	1420-81450	• LEVER	1	
31	1075-51220	SPRING	1		106	1420-81620	• PLATE	1	
32	1200-51211	SCREW	2		107	1580-82000	CLEANER ASSY	1	
33	1200-51230	WASHER	2		108	1400-82112	• BODY	1	
34	1200-51240	WASHER	2		109	1400-82120	• COVER	1	
35	2073-71110	ROTOR	1		110	1418-82130	• ELEMENT	1	
36	2155-71200	COIL ASSY	1		111	1400-82140	• SCREEN	1	
37	2155-71220	• CORD,high	1		112	1580-82150	• PLATE	1	
38	2616-71320	• CAP	1		113	1580-82160	• SCREW	1	
39	5500-72130	GROMMET	1		114	1133-82060	LABEL	1	
40	1100-72120	GROMMET	1		115	00260-30422	SCREW	2	
41	1900-72111	CAP	1		116	2175-84000	LEVER ASSY	1	
42	1900-72120	SPRING	1		117	1638-84110	GRIP-R	1	
43	00263-90520	SCREW	2		118	1638-84120	GRIP-L	1	
44	1400-15111	MUFFLER	1		119	1638-84130	• LEVER	1	
45	00263-90512	SCREW	1		120	1638-84140	• LEVER	1	
46	1140-51230	WASHER	1		121	1638-84150	• LOCK	1	
47	1580-15230	NUT	1		122	1638-84160	• BAND	1	
48	1400-15410	COVER,muffler	1		123	2175-84300	• CABLE COMP	1	
49	00263-90512	SCREW	3		124	1638-84170	• SPRING	1	
50	1400-31113	COVER	1		125	1638-84180	• SPRING	1	
51	3310-12281	BOLT	4		126	00263-60620	• SCREW	1	
52	1100-72120	GROMMET	1		127	1638-84190	• NUT	1	
53	1462-32111	COVER	1		128	00260-60535	• SCREW	1	
54	00263-90512	SCREW	2		129	1638-84210	• NUT	1	
55	1600-86130	CLAMP	1		130	1638-84220	• SCREW	1	
56	3540-93110	STAND	1		131	1439-85000	TANK ASSY	1	
57	3310-31720	BOLT	2		132	2116-85201	• CAP ASSY	1	
58	2155-71240	CORD	1		133	2116-85300	•• VALVE COMP	1	
59	2116-71250	CORD,earth	1		134	1600-85322	••• PACKING	1	
60	1216-73110	SPARKPLUG	1	RCJ-6Y	135	3317-57242	•• STOPPER	1	
61	1487-75000	STARTER ASSY	1		136	1435-85401	• FITER ASSY	1	
62	1487-75100	• RECOIL ASSY	1		137	1421-85400	• PUMP COMP	1	
63	1180-75221	•• SPRING	1		138	1260-85460	• CLIP	1	
64	1487-75120	•• REEL	1		139	1063-86130	CLIP	1	
65	1487-75140	•• DOG	1		140	1420-86180	PIPE	1	
66	1861-75150	•• WASHER	1		141	1400-86214	SUPPORT	1	
67	1483-75270	•• SCREW	1		142	00263-90520	SCREW	2	
68	1487-75160	•• RETAINER	1		143	1400-86250	COLLAR	2	
69	1487-75170	•• WASHER	1		144	1460-85250	SCREW	2	
70	1400-75160	•• ROPE	1		145	1400-86260	COLLAR	2	
71	1400-75170	•• KNOB	1		146	1400-86271	CUSHION	2	
72	1487-75211	• PULLEY ASSY	1		147	1400-86280	WASHER	2	
73	00263-90520	SCREW	1		148	1580-86290	PLATE	1	
74	1584-81000	CARBURETOR ASSY	1		149	1660-31121	LABEL	1	
75	1650-81122	• CAP	1		150	1580-75412	LABEL	1	



KOMATSU ZENOAH CO.

1-9 Minamidai, Kawagoe, Saitama, 350-1192 Japan

Free Manuals Download Website

<http://myh66.com>

<http://usermanuals.us>

<http://www.somanuals.com>

<http://www.4manuals.cc>

<http://www.manual-lib.com>

<http://www.404manual.com>

<http://www.luxmanual.com>

<http://aubethermostatmanual.com>

Golf course search by state

<http://golfingnear.com>

Email search by domain

<http://emailbydomain.com>

Auto manuals search

<http://auto.somanuals.com>

TV manuals search

<http://tv.somanuals.com>