



# PARTS LIST

## BRUSHCUTTERS

**BK3400FL**  
**BK3400FT**  
**BK3400FLJ**  
**BK4300FL**  
**BK4300FT**

**NOTE :**

1. Use KOMATSU ZENOAH genuine parts as specified in the parts list for repair and/or replacement.
2. KOMATSU ZENOAH does not warrant the machines, which have been damaged by the use of any parts other than those specified by the company.
3. When placing parts orders for repair and/or replacement, check if the model name and the serial number are applicable to those specified in the parts list, then use parts number described in the parts list.
4. The contents described in the parts list are accurate as of the date and may change due to improvement.
5. The parts for the machine shall be supplied ten (10) years after the machine is discontinued. [It is possible that some specific parts may be subject to change of their delivery term and list price within the limit of ten (10) years after the machine is discontinued. It is also possible that some parts may be available even after the limit of ten (10) years.]

APPLICABLE SERIAL NUMBERS:

000101 and up

Jan 2000

Fig.1 DRIVE UNIT & ACCESSORIES

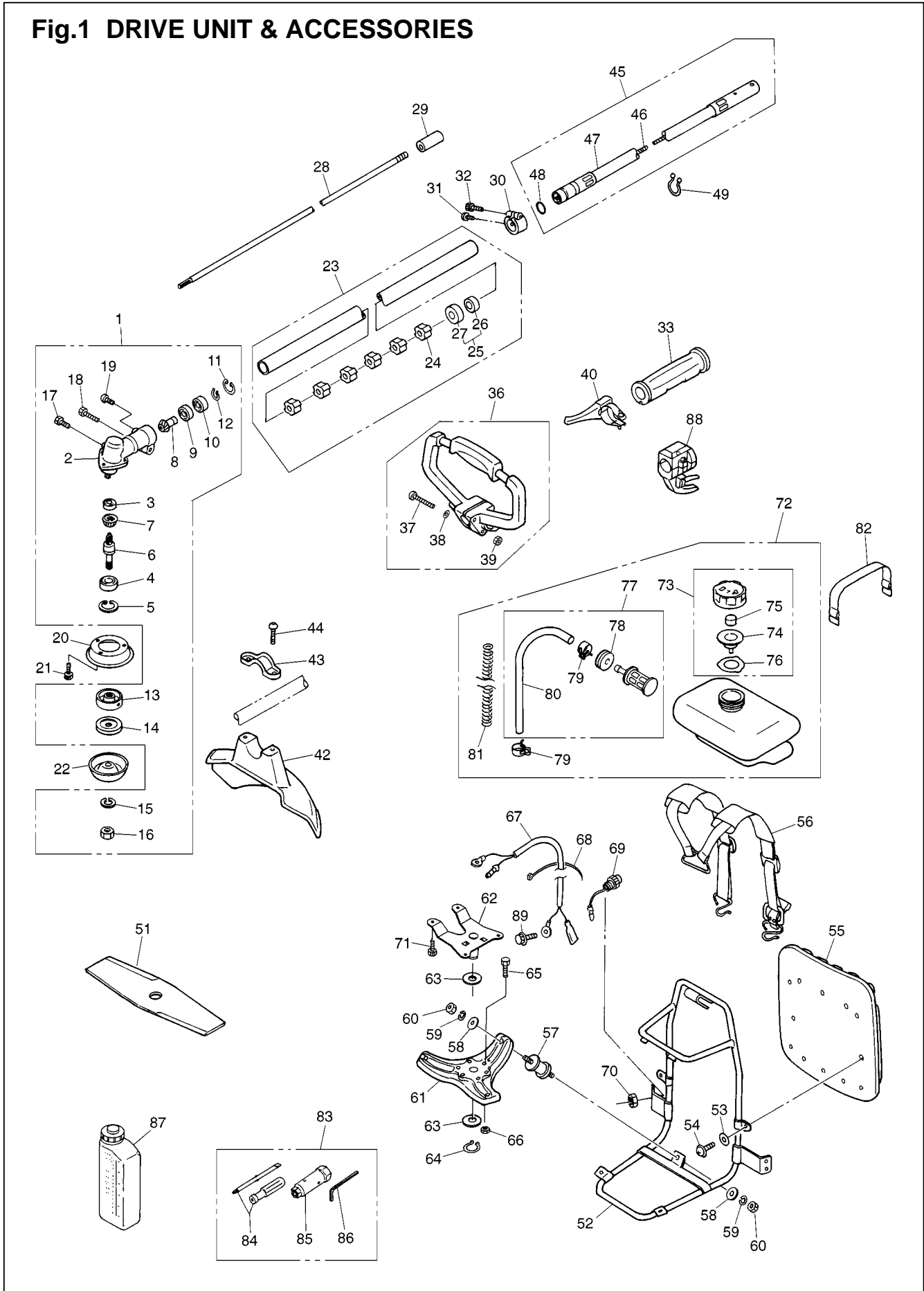


Fig.1 DRIVE UNIT &amp; ACCESSORIES

Key#	PART NUMBER	DESCRIPTION	Q'TY /UNIT	NOTE	Key#	PART NUMBER	DESCRIPTION	Q'TY /UNIT	NOTE
1	6129-13001	GEARCASE ASSY	1		63	01641-21423	WASHER	2	
2	6129-13110	• GEARCASE	1		64	04064-01510	SNAPRING	1	
3	6129-13120	• BEARING	1		65	0224-30625	BOLT	1	
4	06004-06201	• BEARING	1		66	0280-10605	NUT	1	
5	04065-03212	• SNAPRING	1		67	6129-61100	CORD COMP	1	
6	6129-13211	• SHAFT, gear	1		68	6129-61210	BAND	2	
7	6129-13220	• GEAR	1		69	1600-72210	SWITCH	1	
8	6129-13310	• PINION	1		70	6129-72230	NUT	1	
9	06000-06000	• BEARING	1		71	3310-31720	BOLT	4	
10	06001-06000	• BEARING	1		72	4551-85000	TANK ASSY	1	
11	04065-02612	• RING	1		73	1403-85304	• CAP ASSY	1	
12	3180-13340	• RING	1		74	1400-85326	•• CAP, inner	1	
13	6129-13240	• HOLDER(A)	1		75	1030-85140	•• ELEMENT	1	
14	6129-13250	• HOLDER(B)	1		76	1600-85322	•• PACKING	1	
15	6129-13260	• WASHER	1		77	4551-85100	• JOINT ASSY	1	
16	T3002-13260	• NUT	1	M6	78	1400-85141	•• GROMMET	1	
17	6129-13350	• BOLT	1	M6x8	79	3063-22510	•• CLIP	2	
18	0224-00625	• BOLT	1		80	4551-86110	•• PIPE	1	
19	0260-00512	• SCREW	1		81	3570-15311	• SPRING	1	
20	6129-13910	COVER	1		82	1535-85520	BAND	2	
21	01252-30510	BOLT	3		83	6129-91001	TOOL SET	1	
22	3540-13283	COVER	1		84	1030-91340	• DRIVER	1	
23	6129-12100	PIPE COMP	1		85	3144-91160	• SOCKET	1	
24	3180-11321	• BUSHING	6		86	09007-00425	• WRENCH	1	
25	6129-12120	• BEARING COMP	1		87	1000-91301	TANK ASSY	1	
26	06002-00607	•• BEARING	1		88	6229-12401	LEVER ASSY	1	OP
27	6129-12130	•• SPACER	1		89	0263-90512	SCREW	1	
28	6129-12210	SHAFT	1						
29	6129-12220	SHAFT, joint	1						
30	6129-12230	CLAMP	1						
31	0263-10510	SCREW	1						
32	01252-30520	BOLT	1						
33	6129-14110	GRIP	1						
34	_____	_____	-						
35	_____	_____	-						
36	6232-14300	HANDLE ASSY	1						
37	0260-00530	• SCREW	3						
38	0292-20510	• WASHER	3						
39	0280-10504	• NUT	3						
40	1088-82201	LEVER ASSY	1						
41	_____	_____	-						
42	6129-24110	GUARD	1						
43	3541-24121	CLAMP	1						
44	3540-24130	BOLT	2						
45	6129-21000	SHAFT FLEX ASSY	1						
46	6129-21110	• SHAFT-FLEX	1						
47	6129-21120	• LINER	1						
48	07000-12018	• O-RING	1						
49	6129-21160	CLAMP	2						
50	_____	_____	-						
51	6189-15110	SAW 12'	1						
52	6129-51110	FRAME	1						
53	5940-14170	WASHER	2						
54	0263-10512	SCREW	2						
55	5940-14300	PAD ASSY	1						
56	6129-51500	BAND ASSY	1						
57	6129-51310	JOINT	3						
58	5940-13170	WASHER	6	M5 PW					
59	5940-13180	WASHER	6	M5 SW					
60	5940-13160	NUT	6	M5					
61	6129-51200	PLATE, engine COMP	1						
62	4551-13310	BRACKET, engine	1						

Fig.2 DRIVE UNIT & ACCESSORIES

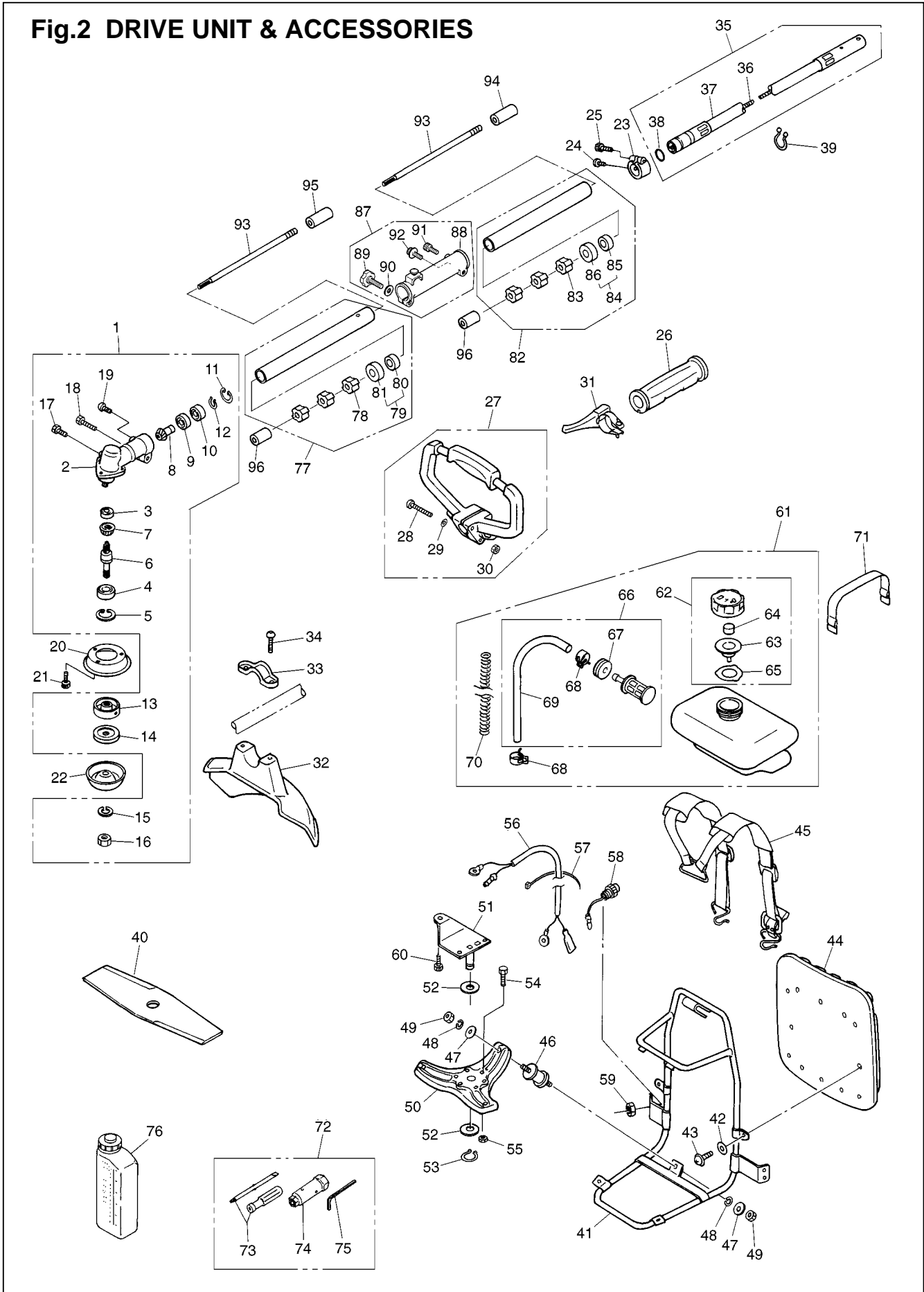


Fig.2 DRIVE UNIT &amp; ACCESSORIES

Key#	PART NUMBER	DESCRIPTION	Q'TY /UNIT	NOTE	Key#	PART NUMBER	DESCRIPTION	Q'TY /UNIT	NOTE
1	6129-13001	GEARCASE ASSY	1		63	1400-85326	•• CAP, inner	1	
2	6129-13110	• GEARCASE	1		64	1030-85140	•• ELEMENT	1	
3	6129-13120	• BEARING	1		65	1600-85322	•• PACKING	1	
4	06004-06201	• BEARING	1		66	4551-85100	• JOINT ASSY	1	
5	04065-03212	• SNAPRING	1		67	1400-85141	•• GROMMET	1	
6	6129-13211	• SHAFT, gear	1		68	3063-22510	•• CLIP	2	
7	6129-13220	• GEAR	1		69	4551-86110	•• PIPE	1	
8	6129-13310	• PINION	1		70	3570-15311	• SPRING	1	
9	06000-06000	• BEARING	1		71	1535-85520	BAND	2	
10	06001-06000	• BEARING	1		72	6129-91001	TOOL SET	1	
11	04065-02612	• RING	1		73	1030-91340	• DRIVER	1	
12	3180-13340	• RING	1		74	3144-91160	• SOCKET	1	
13	6129-13240	• HOLDER(A)	1		75	09007-00425	• WRENCH	1	
14	6129-13250	• HOLDER(B)	1		76	1000-91301	TANK ASSY	1	
15	6129-13260	• WASHER	1		77	6036-12100	PIPE(F) COMP	1	
16	T3002-13260	• NUT	1	M6	78	3180-11321	• BUSHING	3	
17	6129-13350	• BOLT	1	M6x8	79	6129-12120	• BEARING COMP	1	
18	0224-00625	• BOLT	1		80	06002-00607	•• BEARING	1	
19	0260-00512	• SCREW	1		81	6129-12130	•• SPACER	1	
20	6129-13910	COVER	1		82	6036-12300	PIPE(R) COMP	1	
21	01252-30510	BOLT	3		83	3180-11321	• BUSHING	3	
22	3540-13283	COVER	1		84	6129-12120	• BEARING COMP	1	
23	6129-12230	CLAMP	1		85	06002-00607	•• BEARING	1	
24	0263-10510	SCREW	1		86	6129-12130	•• SPACER	1	
25	01252-30520	BOLT	1		87	6036-12400	PIPE, JOINT ASSY	1	
26	6129-14110	GRIP	1		88	6036-12410	• PIPE, JOINT COMP	1	
27	6232-14300	HANDLE ASSY	1		89	6036-12420	• KNOB BOLT	1	
28	0260-00530	• SCREW	3		90	01643-30823	• WASHER	1	
29	0292-20510	• WASHER	3		91	01252-30510	• BOLT	1	
30	0280-10504	• NUT	3		92	3540-13260	• BOLT	1	
31	1088-82201	LEVER ASSY	1		93	6036-12210	SHAFT	2	
32	6129-24110	GUARD	1		94	6129-12220	SHAFT, joint	1	
33	3541-24121	CLAMP	1		95	6036-12240	SHAFT, joint	1	
34	3540-24130	BOLT	2		96	6036-12250	SPACER	2	
35	6129-21000	SHAFT FLEX ASSY	1						
36	6129-21110	• SHAFT-FLEX	1						
37	6129-21120	• LINER	1						
38	07000-12018	• O-RING	1						
39	6129-21160	CLAMP	2						
40	6189-15110	SAW 12'	1						
41	6129-51110	FRAME	1						
42	5940-14170	WASHER	2						
43	0263-10512	SCREW	2						
44	5940-14300	PAD ASSY	1						
45	6129-51500	BAND ASSY	1						
46	6129-51310	JOINT	3						
47	5940-13170	WASHER	6	M5 PW					
48	5940-13180	WASHER	6	M5 SW					
49	5940-13160	NUT	6	M5					
50	6129-51200	PLATE, engine COMP	1						
51	6129-51410	BRACKET, engine	1						
52	01641-21423	WASHER	2						
53	04064-01510	SNAP RING	1						
54	0224-30625	BOLT	1						
55	0280-10605	NUT	1						
56	6129-61100	CORD COMP	1						
57	6129-61210	BAND	2						
58	1600-72210	SWITCH	1						
59	1520-72230	NUT	1						
60	3310-31720	BOLT	3						
61	4551-85000	TANK ASSY	1						
62	1403-85304	• CAP ASSY	1						

Fig.3 DRIVE UNIT & ACCESSORIES

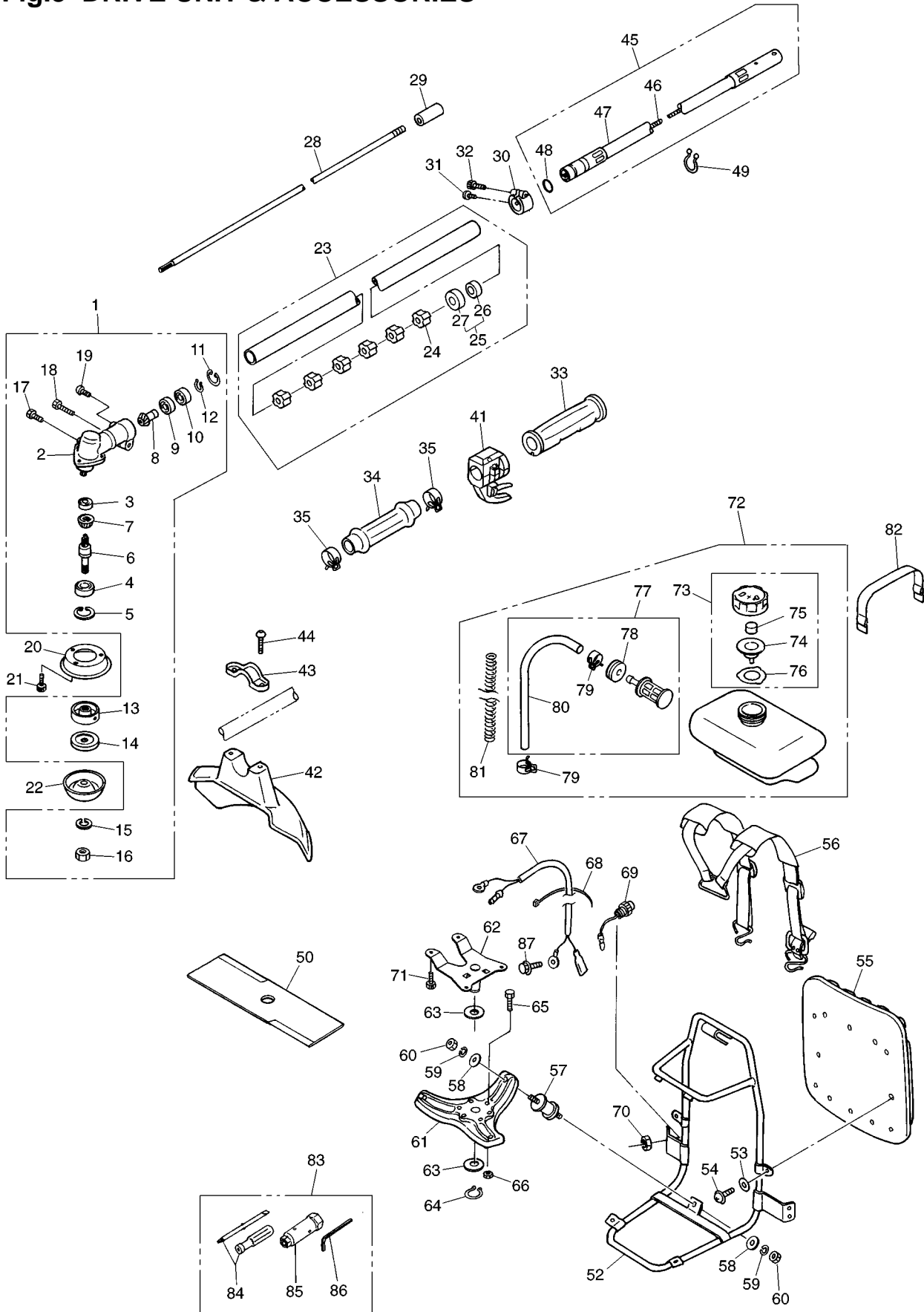


Fig.3 DRIVE UNIT &amp; ACCESSORIES

Key#	PART NUMBER	DESCRIPTION	Q'TY /UNIT	NOTE	Key#	PART NUMBER	DESCRIPTION	Q'TY /UNIT	NOTE
1	6129-13001	GEARCASE ASSY	1		63	01641-21423	WASHER	2	
2	6129-13110	• GEARCASE	1		64	04064-01510	SNAPRING	1	
3	6129-13120	• BEARING	1		65	0224-30625	BOLT	1	
4	06004-06201	• BEARING	1		66	0280-10605	NUT	1	
5	04065-03212	• SNAPRING	1		67	6129-61100	CORD COMP	1	
6	6129-13211	• SHAFT, gear	1		68	6129-61210	BAND	2	
7	6129-13220	• GEAR	1		69	1600-72210	SWITCH	1	
8	6129-13310	• PINION	1		70	6129-72230	NUT	1	
9	06000-06000	• BEARING	1		71	3310-31720	BOLT	4	
10	06001-06000	• BEARING	1		72	4551-85000	TANK ASSY	1	
11	04065-02612	• RING	1		73	1403-85304	• CAP ASSY	1	
12	3180-13340	• RING	1		74	1400-85326	•• CAP, inner	1	
13	6129-13240	• HOLDER(A)	1		75	1030-85140	•• ELEMENT	1	
14	6129-13250	• HOLDER(B)	1		76	1600-85322	•• PACKING	1	
15	6129-13260	• WASHER	1		77	4551-85100	• JOINT ASSY	1	
16	T3002-13260	• NUT	1	M6	78	1400-85141	•• GROMMET	1	
17	6129-13350	• BOLT	1	M6x8	79	3063-22510	•• CLIP	2	
18	0224-00625	• BOLT	1		80	4551-86110	•• PIPE	1	
19	0260-00512	• SCREW	1		81	3570-15311	• SPRING	1	
20	6129-13910	COVER	1		82	1535-85520	BAND	2	
21	01252-30510	BOLT	3		83	6129-91001	TOOL SET	1	
22	3540-13283	COVER	1		84	1030-91340	• DRIVER	1	
23	6129-12100	PIPE COMP	1		85	3144-91160	• SOCKET	1	
24	3180-11321	• BUSHING	6		86	09007-00425	• WRENCH	1	
25	6129-12120	• BEARING COMP	1		87	0263-90512	SCREW	1	
26	06002-00607	•• BEARING	1						
27	6129-12130	•• SPACER	1						
28	6129-12210	SHAFT	1						
29	6129-12220	SHAFT, joint	1						
30	6129-12230	CLAMP	1						
31	0263-10510	SCREW	1						
32	01252-30520	BOLT	1						
33	6129-14110	GRIP	1						
34	3570-32130	GRIP	1						
35	3213-11340	BAND	2						
36	_____	_____	-						
37	_____	_____	-						
38	_____	_____	-						
39	_____	_____	-						
40	_____	_____	-						
41	6229-12401	LEVER ASSY	1						
42	6129-24110	GUARD	1						
43	3541-24121	CLAMP	1						
44	3540-24130	BOLT	2						
45	6129-21000	SHAFT FLEX ASSY	1						
46	6129-21110	• SHAFT-FLEX	1						
47	6129-21120	• LINER	1						
48	07000-12018	• O-RING	1						
49	6129-21160	CLAMP	2						
50	6129-92310	SAW 12'	1						
51	_____	_____	-						
52	6129-51110	FRAME	1						
53	5940-14170	WASHER	2						
54	0263-10512	SCREW	2						
55	5940-14300	PAD ASSY	1						
56	6129-51500	BAND ASSY	1						
57	6129-51310	JOINT	3						
58	5940-13170	WASHER	6	M5 PW					
59	5940-13180	WASHER	6	M5 SW					
60	5940-13160	NUT	6	M5					
61	6129-51200	PLATE,engine COMP	1						
62	4551-13310	BRACKET,engine	1						

Fig.4 Engine G34L

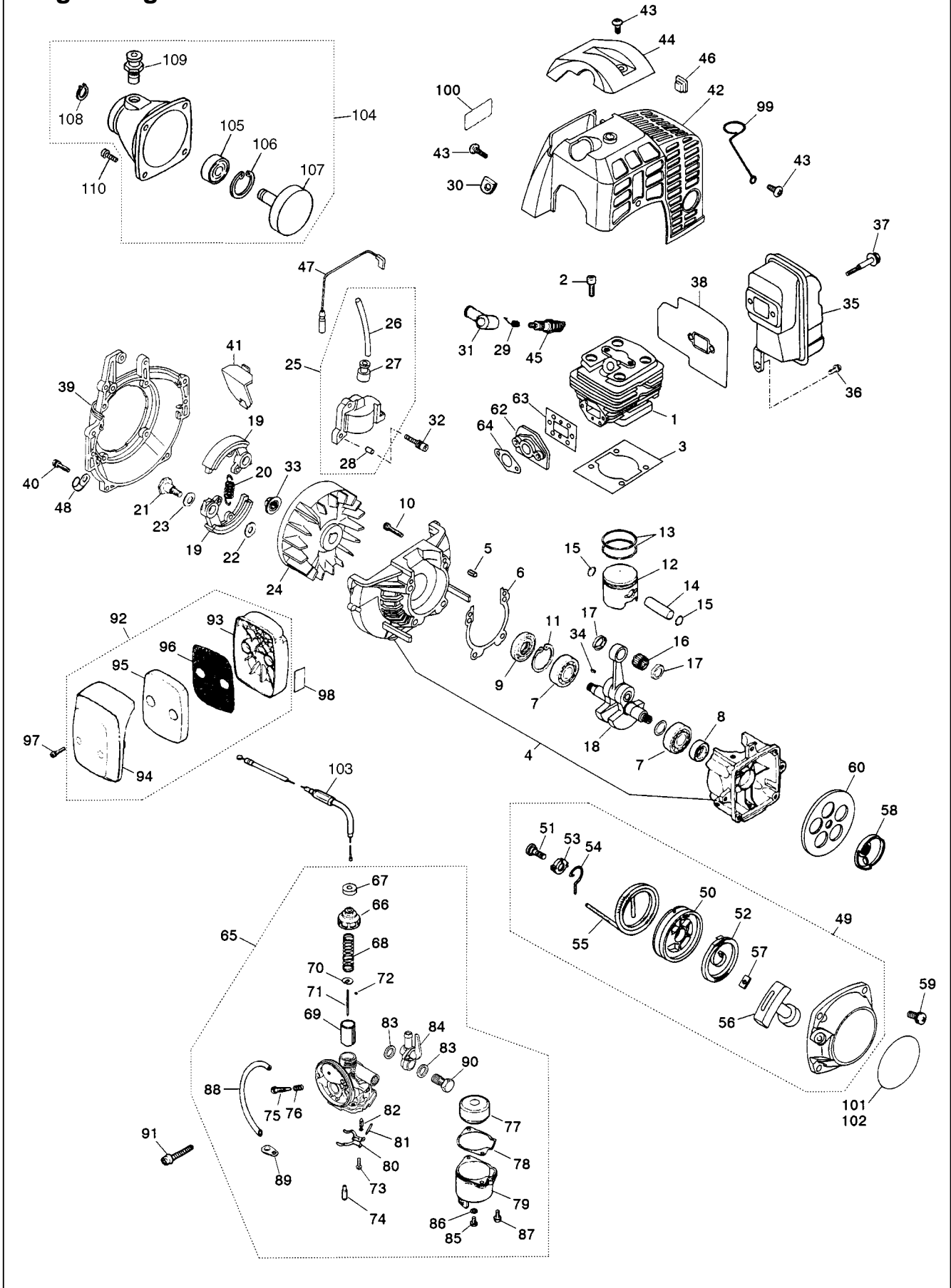




Fig.4 Engine G34L

Key#	PART NUMBER	DESCRIPTION	Q'TY /UNIT	NOTE	Key#	PART NUMBER	DESCRIPTION	Q'TY /UNIT	NOTE
1	4700-12110	•CYLINDER	1		63	4700-13150	GASKET, INSU	1	
2	3310-12281	•BOLT	4		64	4750-13130	GASKET, CARB	1	
3	4500-13120	•GASKET, CYL	1		65	T1024-81000	CARBURETOR-A	1	
4	4500-21100	•CRANKCASE-C	1		66	1141-81110	•CAP	1	
5	2629-21130	••PIN	3		67	1141-81120	•CAP	1	
6	4500-21140	•GASKET, CASE	1		68	1030-81000	•SPRING	1	
7	06030-06201	•BEARING	2		69	4770-81150	•VALVE, throttle	1	
8	2169-21210	•SEAL	1		70	1030-81000	•RECEIVE	1	
9	1650-21220	•SEAL	1		71	T1024-81210	•NEEDLE, jet	1	
10	01252-30530	•BOLT	4		72	1030-81000	•CLIP	1	
11	04065-03212	•SNAPRING	1		73	00263-00306	•SCREW	1	
12	4700-41110	•PISTON	1		74	T1024-81240	•JET, main	1	
13	1650-41210	•RING, PISTON	2		75	2751-81250	•SCREW	1	
14	1030-41310	•PIN	1		76	1650-81260	•SPRING	1	
15	1300-41320	•RING	2		77	1695-81180	•FLOAT	1	
16	2850-41410	•BEARING	1		78	1695-81321	•PACKING	1	
17	2850-41510	•WASHER	2		79	1614-81310	•CHAMBER	1	
18	4500-42000	•CRANKSHAFT-C	1		80	1695-81340	•HINGE	1	
19	4700-51110	SHOE	2		81	1181-81210	•PIN	1	
20	1651-51220	SPRING	1		82	1695-81360	•VALVE	1	
21	1200-51211	SCREW	2		83	1179-81221	•PACKING	2	
22	1200-51230	WASHER	2		84	1179-81501	•COCK-A	1	
23	1200-51241	WASHER	2		85	1140-81650	•SCREW	1	
24	4700-71110	ROTOR	1		86	1400-81660	•PACKING	1	
25	4700-71200	COIL-A	1		87	00263-10416	•SCREW	2	
26	4500-71220	•CORD,HIGH	1		88	4770-81710	•PIPE	1	
27	4700-71230	•CAP	1		89	1220-81420	•STAY	1	
28	4700-71240	•PIN	2		90	2166-81500	•BOLT	1	
29	1900-72120	SPRING	1		91	0263-90560	SCREW	2	
30	5500-72130	GROMMET	1		92	1400-82002	CLEANER-A	1	
31	1900-72111	CAP	1		93	1400-82113	•BODY	1	
32	4500-72150	BOLT	2		94	1400-82121	•COVER	1	
33	1650-43230	NUT	1		95	1418-82130	•ELEMENT	1	
34	1000-43240	KEY	1		96	1400-82141	•SCREEN	1	
35	T1024-15110	MUFFLER	1		97	4550-82150	SCREW	2	
36	3310-31720	BOLT (STAY)	1		98	1133-82060	LABEL	1	
37	01252-30560	BOLT	2		99	2193-86150	CLAMP	1	
38	4700-15211	GASKET,MUFFLER	1		100	1660-31121	LABEL, COVER	1	
39	4700-31110	COVER, FAN	1		101	T1024-75410	LABEL, RECOIL	1	BK3400FL
40	3310-12281	BOLT	4		102	T1024-75410	LABEL, RECOIL	1	BK3400FT
41	4700-31210	PLATE, VOLUTE	1		103	1475-83101	CABLE-C	1	
42	4550-32110	COVER, CYLINDER	1		104	6129-11100	HOUSING-ASSY	1	
43	4500-32120	SCREW	4		105	06002-06001	•BEARING	1	
44	4500-32210	GUARD	1		106	04065-02812	•RING	1	
45	1881-73110	SPARKPLUG	1	CJ-6Y	107	6278-12311	•DRUM	1	
46	1852-72121	GROMMET	1		108	04064-01210	•SNAP RING	1	
47	T1006-73220	CORD	1		109	3577-12200	•STOPPER-C	1	
48	1140-72231	CLAMP	1		110	0263-30620	SCREW	4	
49	4500-75100	RECOIL-A	1						
50	4500-75120	•REEL	1						
51	4500-75150	•SCREW	1						
52	1850-75130	•SPRING	1						
53	4500-75180	•COLLAR	1						
54	4500-75190	•ARM	1						
55	4500-75160	•ROPE	1						
56	1140-75320	•KNOB	1						
57	5500-75170	•PLATE	1						
58	4500-75210	PULLEY	1						
59	4500-75511	SCREW	4						
60	4500-75310	PLATE, INERTIA	1						
61	—	—	—						
62	4750-13160	INSULATOR	1						

Fig.5 Engine G43L

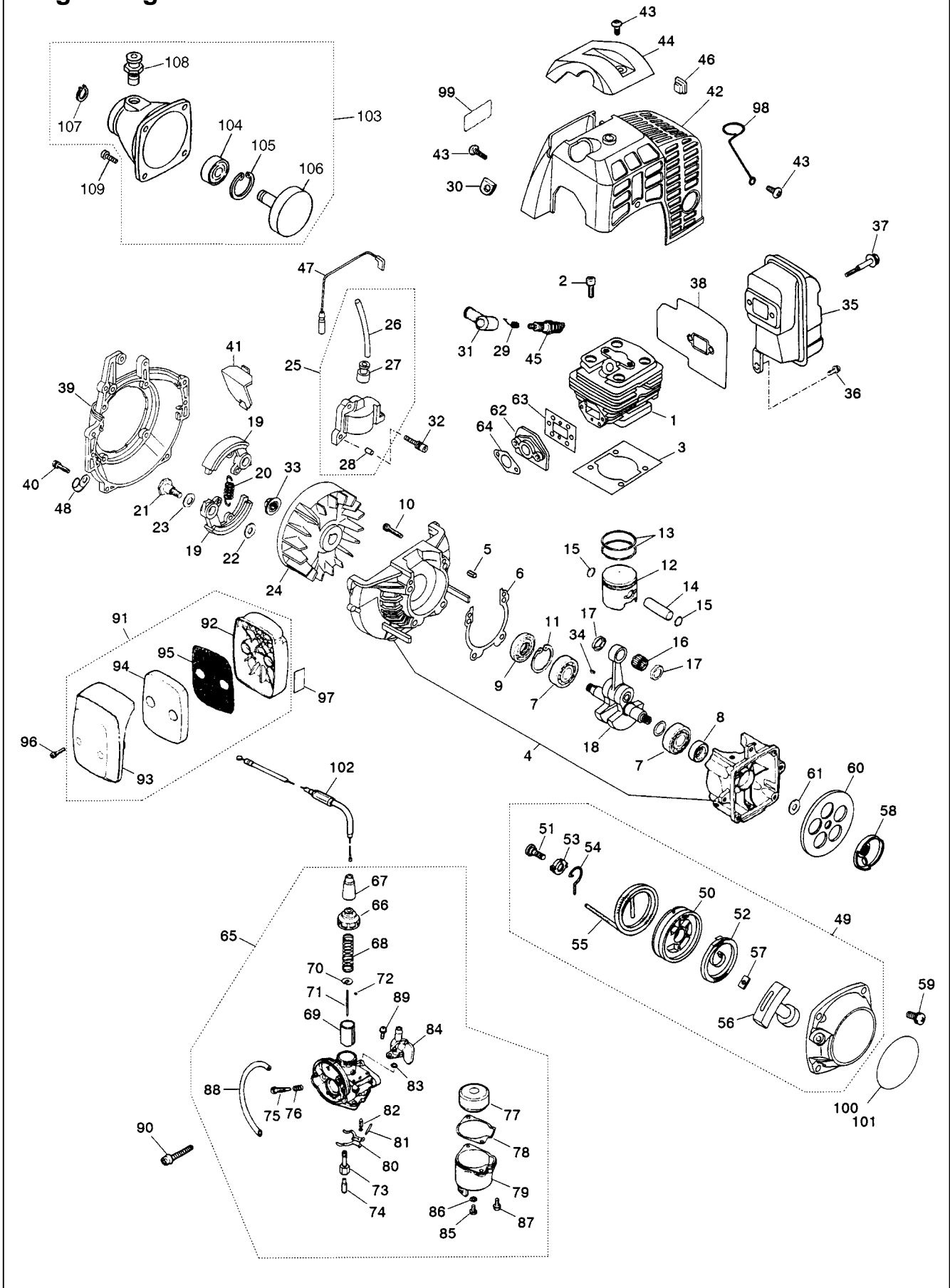


Fig.5 Engine G43L

Key#	PART NUMBER	DESCRIPTION	Q'TY /UNIT	NOTE	Key#	PART NUMBER	DESCRIPTION	Q'TY /UNIT	NOTE
1	4500-12110	•CYLINDER	1		63	4500-13150	GASKET, INSU	1	
2	3310-12281	•BOLT	4		64	4550-13130	GASKET, CARB	1	
3	4500-13120	•GASKET, CYL	1		65	4550-81000	CARBURETOR-A	1	
4	4500-21100	•CRANKCASE-C	1		66	1650-81121	•CAP	1	
5	2629-21130	••PIN	3		67	1141-81120	•CAP	1	
6	4500-21140	•GASKET, CASE	1		68	1335-81060	•SPRING	1	
7	06030-06201	•BEARING	2		69	4550-81150	•VALVE	1	
8	2169-21210	•SEAL	1		70	1335-81070	•RECEIVE	1	
9	1650-21220	•SEAL	1		71	4550-81210	•NEEDLE	1	
10	01252-30530	•BOLT	4		72	1030-81000	•CLIP	1	
11	04065-03212	•SNAPRING	1		73	1400-81230	•JET NEEDLE	1	
12	4500-41110	•PISTON	1		74	4550-81240	•JET	1	
13	1400-41220	•RING, PISTON	2		75	2751-81250	•SCREW	1	
14	2850-41310	•PIN	1		76	1650-81260	•SPRING	1	
15	1300-41320	•RING	2		77	1335-81180	•FLOAT	1	
16	2850-41410	•BEARING	1		78	1400-81320	•PACKING	1	
17	2850-41510	•WASHER	2		79	1400-81310	•CHAMBER	1	
18	4500-42000	•CRANKSHAFT-C	1		80	1400-81340	•HINGE	1	
19	4500-51110	SHOE	2		81	1400-81350	•PIN	1	
20	4500-51220	SPRING	1		82	1400-81361	•VALVE	1	
21	1200-51211	SCREW	2		83	1400-81540	•O RING	1	
22	1200-51230	WASHER	2		84	1403-81500	•COCK	1	
23	1200-51241	WASHER	2		85	1400-81650	•SCREW	1	
24	4500-71110	ROTOR	1		86	1400-81660	•PACKING	1	
25	4500-71200	COIL-A	1		87	0260-10410	•SCREW	2	
26	4500-71220	•CORD,HIGH	1		88	4550-81710	•PIPE	1	
27	2616-71320	•CAP	1		89	0260-10412	•SCREW	2	
28	3356-21130	•PIN	2		90	0263-90565	SCREW	2	
29	1900-72120	SPRING	1		91	1400-82002	CLEANER-A	1	
30	5500-72130	GROMMET	1		92	1400-82113	•BODY	1	
31	1900-72111	CAP	1		93	1400-82121	•COVER	1	
32	4500-72150	BOLT	2		94	1418-82130	•ELEMENT	1	
33	1650-43230	NUT	1		95	1400-82141	•SCREEN	1	
34	1000-43240	KEY	1		96	4550-82150	SCREW	2	
35	4550-15110	MUFFLER	1		97	1133-82060	LABEL	1	
36	3310-31720	BOLT (STAY)	1		98	2193-86150	CLAMP	1	
37	01252-30565	BOLT	2		99	1660-31121	LABEL, COVER	1	
38	4700-15211	GASKET,MUFFLER	1		100	4550-75410	LABEL, RECOIL	1	BK4300FL
39	4500-31110	COVER, FAN	1		101	4552-75410	LABEL, RECOIL	1	BK4300FT
40	3310-12281	BOLT	4		102	1475-83101	CABEL-C	1	
41	4500-31210	PLATE, VOLUTE	1		103	6129-11100	HOUSING-ASSY	1	
42	4550-32110	COVER, CYLINDER	1		104	06002-06001	•BEARING	1	
43	4500-32120	SCREW	4		105	04065-02812	•RING	1	
44	4500-32210	GUARD	1		106	6278-12311	•DRUM	1	
45	1881-73110	SPARKPLUG	1	CJ-6Y	107	04064-01210	•SNAP RING	1	
46	1852-72121	GROMMET	1		108	3577-12200	•STOPPER-C	1	
47	4550-71240	CORD	1		109	0263-30620	SCREW	4	
48	1140-72231	CLAMP	1						
49	4500-75100	RECOIL-A	1						
50	4500-75120	•REEL	1						
51	4500-75150	•SCREW	1						
52	1850-75130	•SPRING	1						
53	4500-75180	•COLLAR	1						
54	4500-75190	•ARM	1						
55	4500-75160	•ROPE	1						
56	1140-75320	•KNOB	1						
57	5500-75170	•PLATE	1						
58	4500-75210	PULLEY	1						
59	4500-75511	SCREW	4						
60	4500-75310	PLATE, INERTIA	1						
61	01643-30823	WASHER	1						
62	4550-13160	INSULATOR	1						



# **KOMATSU ZENOAH CO.**

1-9 Minamidai, Kawagoe, Saitama, 350-1192 Japan

---

PRINTED IN JAPAN

PRINTED ON RECYCLED PAPER  
IMPRIMÉ SUR PAPIER RECYCLÉ  
GEDRUCKT AUF RECYCLING PAPIER  
STAMPATO SU CARTA RICICLATA  
IMPRESO EN PAPEL RECICLADO

## Free Manuals Download Website

<http://myh66.com>

<http://usermanuals.us>

<http://www.somanuals.com>

<http://www.4manuals.cc>

<http://www.manual-lib.com>

<http://www.404manual.com>

<http://www.luxmanual.com>

<http://aubethermostatmanual.com>

Golf course search by state

<http://golfingnear.com>

Email search by domain

<http://emailbydomain.com>

Auto manuals search

<http://auto.somanuals.com>

TV manuals search

<http://tv.somanuals.com>