



# 3M™ SLiC 530/533/733-2 Port 0.61 Cable Entry Bracket

# 3M™ SLiC 530/533/733-2 Port-MSM 0.61 Cable Entry Bracket

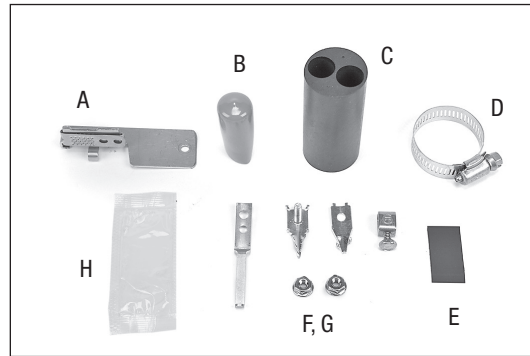
For use with 3M™ SLiC™ Free-Breathing Fiber Optic  
Closures and Terminals

## Instructions

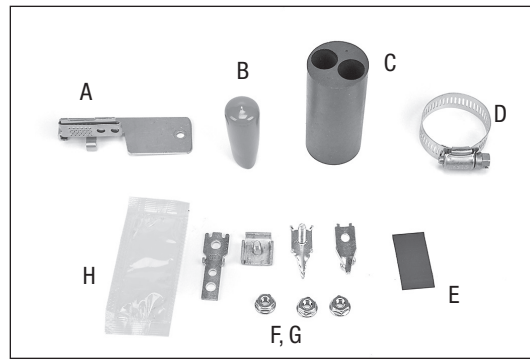
# 1.0 Kit Contents

*Note: Visually inspect all components. If any component is missing or appears damaged, do not install. Call 3M customer service at 1-800-426-8688 for a replacement product.*

- 1.1 Kit Contents SLiC 530/533/733-2 Port 0.61 Cable Entry Bracket 80-6113-2344-7
  - A. Cable Addition Bracket Assembly (1)
  - B. Cap
  - C. Multi-port Grommet (1)
  - D. Hose Clamp (1)
  - E. Pair Saver
  - F. 3M™ Scotchlok™ Shield Bond Connector 4460 with LSM Clamp (2)
  - G. 10-32 UNF Flange Nut (2)
  - H. Lubricant (1)
  - I. Instruction Manual 78-0013-2695-4 (Not Shown)



- 1.2 Kit Contents SLiC 530/533/733-2 Port-MSM 0.61 Cable Entry Bracket 80-6113-8403-5
  - A. Cable Addition Bracket Assembly (1)
  - B. Cap
  - C. Multi-port Grommet (1)
  - D. Hose Clamp (1)
  - E. Pair Saver
  - F. 3M™ Scotchlok™ Shield Bond Connector 4460 with LSM Clamp (2)
  - G. 10-32 UNF Flange Nut (2)
  - H. Lubricant (1)
  - I. Instruction Manual 78-8128-0289-6 (Not Shown)

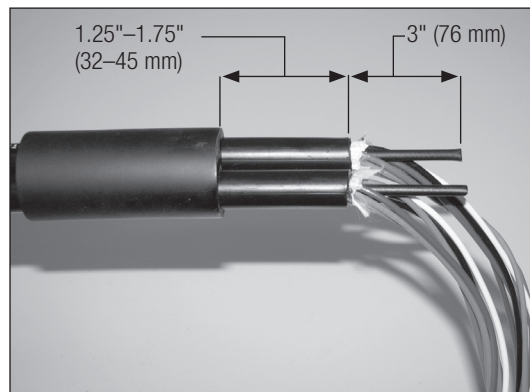


# 2.0 Cable Preparations

- 2.1 Per company practice, remove sufficient cable jacketing to allow for slack storage and splicing needs (approximately 5 feet).
- 2.2 Trim central strength members on both cables approximately 3" (76 mm) from the end of the cable jacket.

*Note: When using ribbon fiber cable, leave a minimum of 2" (50 mm) of central tube.*

- 2.3 Insert cables into the multi-port grommet so that 1.25" to 1.75" (32–45 mm) of cable jacketing is exposed past the inside edge of the grommet.



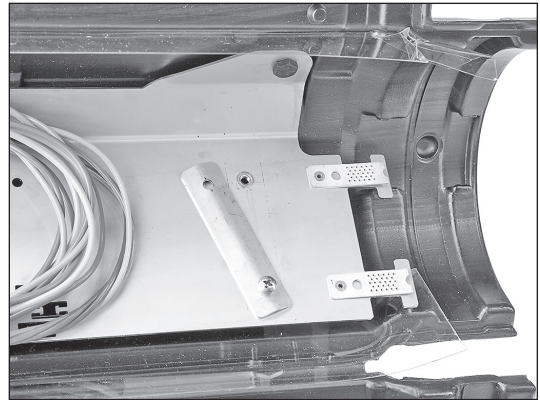
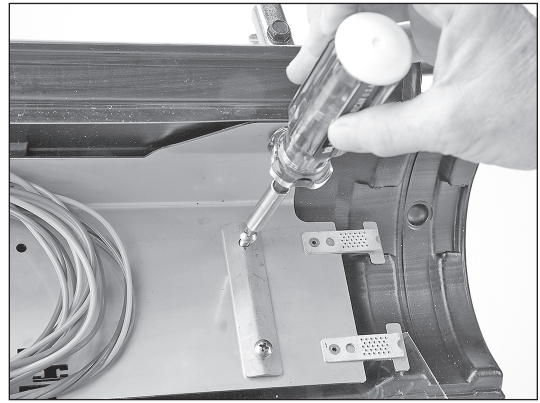
*Note: A small amount of lubricant provided in the kit may be placed on the leading edge of the cable to ease installation into the grommet.*

*Note: Place and tighten a cable tie around the grommet or you may also place a couple of wraps of Scotch® Linerless Rubber Splicing Tape 130C around cable to provide a better seal.*

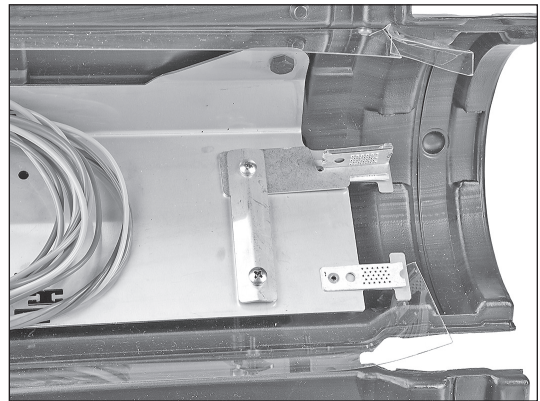
*Note: Carefully follow safety, health and environmental information given on product label or the Materials Safety Data Sheet for the lubricant.*

## 3.0 Cable Addition Bracket Assembly Installation

- 3.1 Remove screw on the 3M™ Scotchlok™ Shield Bond Connector 4464 and swing the plate to the side. If the shield connector is installed with rivets, do not perform this step.
- 3.2 Remove central strength member retainer. Unscrew and remove the central strength member retainer that is intended for use. If installed using rivets, do not perform this step.

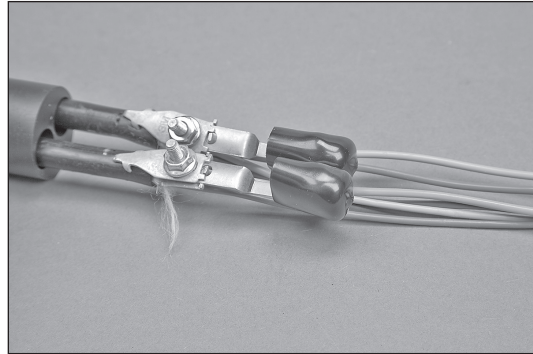


- 3.3 Loosen the second screw just enough to allow the cable addition bracket to slide under the CSM retainer. Replace the screw that was removed previously and tighten the shield bond connector tightening fastener between 25 to 30 in.-lbs. (2.9 to 3.5 kgf-m).



## 4.0 Grommet Assembly Installation using the 3M™ Scotchlok™ 4460-D/FO-CSM For LBT

- 4.1 Please refer to instruction manual 78-0013-2695-4 3M Scotchlok Shield Bond Connector Assembly 4460-D/FO-CSM for LBT for installation instructions.
- 4.2 Assembly is now ready to place in the end seal of the closure or terminal. Refer to instruction manual document number 78-8135-4502-3 for end seal installation.



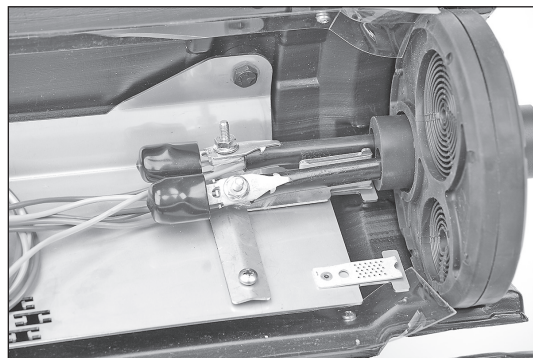
## 5.0 Grommet Assembly Installation using the 3M™ Scotchlok™ Shield Bond Connector 4460-D/FO

- 5.1 Please refer to instruction 78-8128-0289-6 3M Scotchlok Shield Bond Connector Assembly 4460-D/FO and 4460-D/FO-SS for installation instructions.

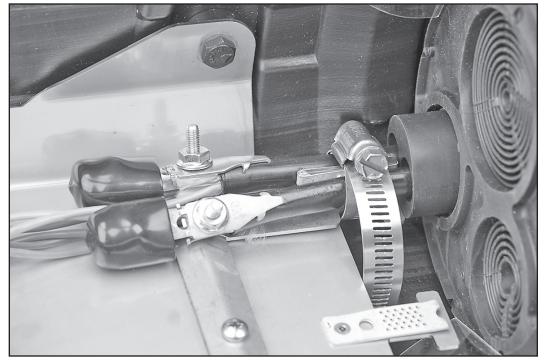
## 6.0 Installation into Closure or Terminal

- 6.1 Assembly is now ready to place in the end seal of the closure or terminal. Refer to instruction manual number 78-8135-4502-3 for end seal installation.
- 6.2 Place cable and grommet assembly onto cable addition bracket such that the retention tab slips between the two cables as shown.

**Note** Place the grommet and cable assembly such that a minimum of 0.78" (19.8 mm) of cable jacket extends past the hose clamp.



- 6.3 Using the supplied hose clamp, secure cables to the cable addition bracket and cable management tray frame as shown. Tighten hose clamp between 25 to 30 in.-lbs. (2.9 to 3.5 kgf-m).
- 6.4 If a single cable entry is also employed through second endseal port, please refer to instruction manual number 78-8135-4502-3 for cable installation section 4.0.



3M, Scotch, Scotchlok and SLiC are trademarks of 3M Company.

### **Important Notice**

All statements, technical information, and recommendations related to 3M's products are based on information believed to be reliable, but the accuracy or completeness is not guaranteed. Before using this product, you must evaluate it and determine if it is suitable for your intended application. You assume all risks and liability associated with such use. Any statements related to the product which are not contained in 3M's current publications, or any contrary statements contained on your purchase order shall have no force or effect unless expressly agreed upon, in writing, by an authorized officer of 3M.

### **Warranty; Limited Remedy; Limited Liability.**

This product will be free from defects in material and manufacture for a period of one (1) year from the time of purchase. **3M MAKES NO OTHER WARRANTIES INCLUDING, BUT NOT LIMITED TO, ANY IMPLIED WARRANTY OF MERCHANTABILITY OR FITNESS FOR A PARTICULAR PURPOSE.** If this product is defective within the warranty period stated above, your exclusive remedy shall be, at 3M's option, to replace or repair the 3M product or refund the purchase price of the 3M product. **Except where prohibited by law, 3M will not be liable for any indirect, special, incidental or consequential loss or damage arising from this 3M product, regardless of the legal theory asserted.**



### **Communication Markets Division**

6801 River Place Blvd.  
Austin, TX 78726-9000  
1-800-426-8688  
www.3M.com/Telecom

Please Recycle. Printed in USA.  
© 3M 2011. All Rights Reserved.  
78-8135-7466-8-B

## Free Manuals Download Website

<http://myh66.com>

<http://usermanuals.us>

<http://www.somanuals.com>

<http://www.4manuals.cc>

<http://www.manual-lib.com>

<http://www.404manual.com>

<http://www.luxmanual.com>

<http://aubethermostatmanual.com>

Golf course search by state

<http://golfingnear.com>

Email search by domain

<http://emailbydomain.com>

Auto manuals search

<http://auto.somanuals.com>

TV manuals search

<http://tv.somanuals.com>