



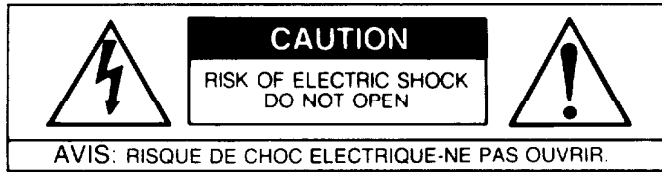
GFA-5400

**High Current
Power Amplifier**

OWNER'S MANUAL

THE FOLLOWING PRECAUTIONS AND SAFETY INSTRUCTIONS ARE REQUIREMENTS OF UL AND CSA SAFETY REGULATIONS

Warning: To reduce the risk of fire or electric shock, do not expose this unit to rain or moisture.



The graphic symbol of a lightning flash with an arrow point within a triangle signifies that there is dangerous voltage within the unit and it poses a hazard to anyone removing the cover to gain access to the interior of the unit. **Only qualified service personnel should make any such attempt.**



The graphic symbol of an exclamation point within an equilateral triangle warns a user of the device that it is necessary to refer to the instruction manual and its warnings for proper operation of the unit.



Do not place this unit on an unstable cart, stand, tripod, bracket, or table. The unit may fall, causing serious injury to a child or adult, and serious damage to the unit. Use only with a cart, stand, tripod, bracket, or table recommended by the manufacturer, or sold with the unit. Any mounting of the device should follow the manufacturer's instructions, and should use a mounting accessory recommended by the manufacturer.

Read all the safety and operating instructions before connecting or using this unit.

Retain this notice and the owner's manual for future reference.

All warnings on the unit and in its operating instructions should be adhered to.

All operating and use instructions should be followed.

Do not use this unit near water; for example, near a bathtub, washbowl, kitchen sink, laundry tub, in a wet basement, or near a swimming pool.

The unit should be installed so that its location or position does not interfere with its proper ventilation. For example, it should not be situated on a bed, sofa, rug, or similar surface that may block the ventilation openings; or placed in a built-in installation, such as bookcase or cabinet, that may impede the flow of air through its ventilation openings.

The unit should be situated away from heat sources such as radiators, heat registers, stoves, or other devices (including amplifiers) that produce heat.

The unit should be connected to a power-supply outlet only of the voltage and frequency marked on its rear panel.

The power-supply cord should be routed so that it is not likely to be walked on or pinched, especially near the plug, convenience receptacles, or where the cord exits from the unit.

Clean unit only as recommended in its instruction manual.

The power-supply cord of the unit should be unplugged from the wall outlet when it is to be unused for a long period of time.

Care should be taken so that objects do not fall, and liquids are not spilled, into the enclosure through any openings.

This unit should be serviced by qualified service personnel when:

- A. The power cord or the plug has been damaged; or
- B. Objects have fallen, or liquid has been spilled, into the unit; or
- C. The unit has been exposed to rain, or liquids of any kind; or
- D. The unit does not appear to operate normally, or exhibits a marked change in performance; or
- E. The device has been dropped, or the enclosure damaged.

**DO NOT ATTEMPT SERVICING OF THIS UNIT YOURSELF.
REFER SERVICING TO QUALIFIED SERVICE PERSONNEL.**

ATTENTION

POUR PRÉVENIR LES CHOCS ÉLECTRIQUES NE PAS UTILISER CETTE FICHE POLARISÉE AVEC UN PROLONGATEUR, UNE PRISE DE COURANT OU UNE AUTRE SORTIE DE COURANT, SAUF SI LES LAMES PEUVENT ÊTRE INSÉRÉES À FOND SANS EN LAISSER AUCUNE PARTIE À DÉCOUVERT.

CAUTION

TO PREVENT ELECTRIC SHOCK DO NOT USE THIS POLARIZED PLUG WITH AN EXTENSION CORD, RECEPTACLE OR OTHER OUTLET UNLESS THE BLADES CAN BE FULLY INSERTED TO PREVENT BLADE EXPOSURE.

CAUTION

POWER LINES

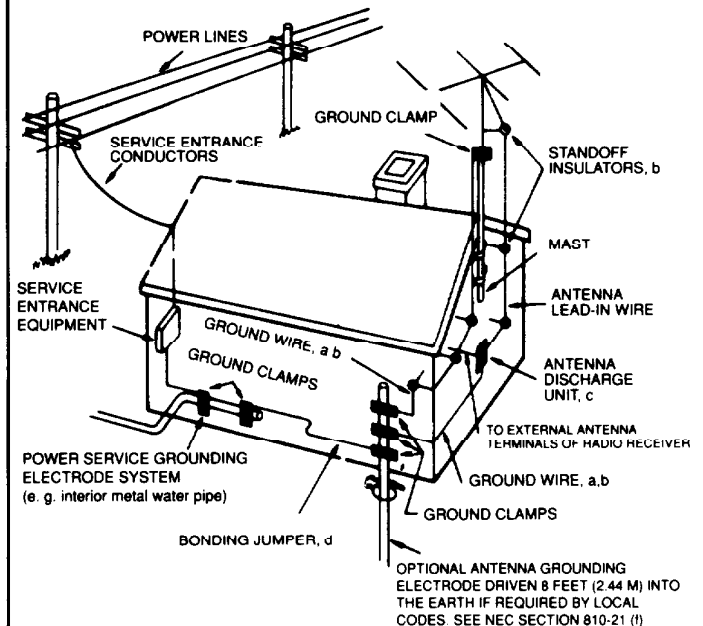
Any outdoor antenna must be located away from all power lines.

OUTDOOR ANTENNA GROUNDING

If an outside antenna is connected to your tuner or tuner-preamplifier, be sure the antenna system is grounded so as to provide some protection against voltage surges and built-up static charges. Section 810 of the National Electrical Code, ANSI/NFPA No. 70-1984, provides information with respect to proper grounding of the mast and supporting structure, grounding of the lead-in wire to an antenna discharge unit, size of grounding conductors, location of antenna discharge unit, connection to grounding electrodes, and requirements for the grounding electrode.

- a. Use No.10 AWG (5.3 mm²) copper, No.8 AWG (8.4 mm²) aluminum, No.17 AWG (1.0 mm²) copper-clad steel or bronze wire, or larger, as a ground wire.
- b. Secure antenna lead-in and ground wires to house with stand-off insulators spaced from 4-6 feet (1.22-1.83 m) apart.
- c. Mount antenna discharge unit as close as possible to where lead-in enters house.
- d. Use jumper wire not smaller than No.6 AWG (13.3 mm²) copper, or the equivalent, when a separate antenna-grounding electrode is used. See NEC Section 810-21 (j).

EXAMPLE OF ANTENNA GROUNDING AS PER NATIONAL ELECTRICAL CODE INSTRUCTIONS CONTAINED IN ARTICLE 810 - RADIO AND TELEVISION EQUIPMENT.



NOTE TO CATV SYSTEM INSTALLER

This reminder is provided to call the CATV system installer's attention to Article 820-22 of the National Electrical Code that provides guidelines for proper grounding and, in particular, specifies that the cable ground shall be connected to the grounding system of the building, as close to the point of cable entry as practical.

Congratulations on your decision to purchase the GFA-5400 Stereo Power Amplifier. You have made a wise choice that will reward you with exceptionally accurate and musical sound reproduction for years to come. To realize the full potential of your new amplifier, please read these operating and installation instructions thoroughly before attempting to connect it.

FEATURES

- Precision matched MOSFETs used throughout the signal path.
- Over 50,000 μF of power supply filter capacitance with low ESR for greater reserve capacity.
- Low number of gain stages improves signal reproduction accuracy.
- Custom toroidal power transformer provides better regulation and greater peak current capability.
- High quality, gold plated binding posts.
- Independent thermal overload and distortion LEDs for each channel.
- Gold plated RCA jacks.
- Large internal heatsinks for greater cooling capability of output devices.
- Heavy gauge anodized aluminum front panel.
- Powder coated, baked chassis and top cover for greater durability.
- Cooling vents on top cover for greater efficiency and cooler operation while driving low impedance loads.

ADCOM PROTECTION PLAN (USA ONLY)

ADCOM offers the enclosed valuable Limited Warranty. Please read the details on the Warranty Card carefully to understand the extent of the protection offered by the Warranty, its reasonable limitations, and what you should do in order to obtain its benefits. Be sure to verify that the serial number printed on the rear panel matches the serial number on the outer carton. If any number is altered or missing, you should notify us immediately in order to ensure that you have received a genuine ADCOM product which has not been opened, mishandled, or tampered with in any way.

UNPACKING

Before your new GFA-5400 left our factory, it was carefully inspected for physical imperfections and tested for all electrical parameters as a routine part of ADCOM's systematic quality control. This, along with full operational and mechanical testing, should ensure a product flawless in both appearance and performance. After you have unpacked the GFA-5400, inspect it for physical damage. Save the shipping carton and all packing material as they are intended to reduce the possibility of transportation damage, should the amplifier ever need to be shipped again. In the unlikely event damage has occurred, notify your dealer immediately and request the name of the carrier so a written claim to cover shipping damages can be initiated. THE RIGHT TO A CLAIM AGAINST A PUBLIC CARRIER CAN BE FORFEITED IF THE CARRIER IS NOT NOTIFIED PROMPTLY IN WRITING AND IF THE SHIPPING CARTON AND PACKING MATERIALS ARE NOT AVAILABLE FOR INSPECTION BY THE CARRIER. SAVE ALL PACKING MATERIALS UNTIL THE CLAIM HAS BEEN SETTLED.

INSTALLING THE GFA-5400

During normal home operation the internal heatsinks of the GFA-5400 may become warm. However, there are instances during high-level playback into low impedance when the heatsinks will become much warmer than usual. To ensure the amplifier's long-term, trouble-free operation it is necessary to provide adequate ventilation for the heatsinks. Therefore, the GFA-5400 should be kept away from external sources of heat such as radiators and hot-air ducts. The GFA-5400 should never be placed with other heat-producing components in a cabinet or enclosure lacking free airflow.

If you require that the GFA-5400 be mounted in an enclosed cabinet, it is recommended that the rear panel of the cabinet be provided with ventilation openings at the top and bottom to allow air to circulate freely in the cabinet. The top and bottom panels of the amplifier's chassis have been provided with vents to allow the necessary cooling of the internal components. It is imperative that these vents are not obstructed in any way.

We recommend that you do not stack other components on top of the GFA-5400. This is particularly important if your system includes low-impedance loudspeakers that are difficult to drive or if you will consistently demand high volume levels from the amplifier and speaker system. Heat generated by the amplifier will not only affect the performance of equipment stacked on top of the GFA-5400, but the free flow of air through the ventilating slots in the amplifier may be partially obstructed.

If you observe these recommendations, the GFA-5400 will perform reliably in any reasonable environment. You should also pay attention to such normal considerations as protection from excessive dust and moisture. Occasional vacuuming of accumulated dust on the chassis, heatsinks, panels and around the ventilating slots should be all that is required.

The optimal performance of your new GFA-5400 will ultimately depend on the care with which you make the connections between the amplifier, preamplifier and the loudspeakers. All input and output signal connections should be made only with high quality, low-loss, low capacitance cables following the recommendations in the following relevant sections.

RIGHT/LEFT INPUT ①

The audio inputs to the GFA-5400 are through two high quality, gold plated RCA jacks to minimize high frequency losses, noise, etc. They will accept standard RCA type plugs, one for each channel, LEFT and RIGHT. To ensure that the performance designed into the GFA-5400 is realized, you should use the highest quality cables feasible. Whatever cable you finally select, it should have low capacitance. This is particularly important if you use a long run between the preamplifier and amplifier. Generally speaking, a cable with a capacitance of less than 100 pF will work best.

The load impedance which the GFA-5400 inputs present to the source preamplifier or tuner-preamplifier is 49.9k ohms. This load impedance results in minimal amplifier noise when used with a source component of low output impedance such as an ADCOM preamplifier or tuner/preamplifier. To preserve the correct stereo image, please be certain to connect the left output of the preamplifier or tuner-preamplifier to the RCA jack on the GFA-5400 labeled LEFT INPUT and the right output of the source component to the RIGHT INPUT jack.

RIGHT/LEFT OUTPUT ②

The GFA-5400 is "polarity correct" and does not invert phase. That is, any positive going signal at its input will appear

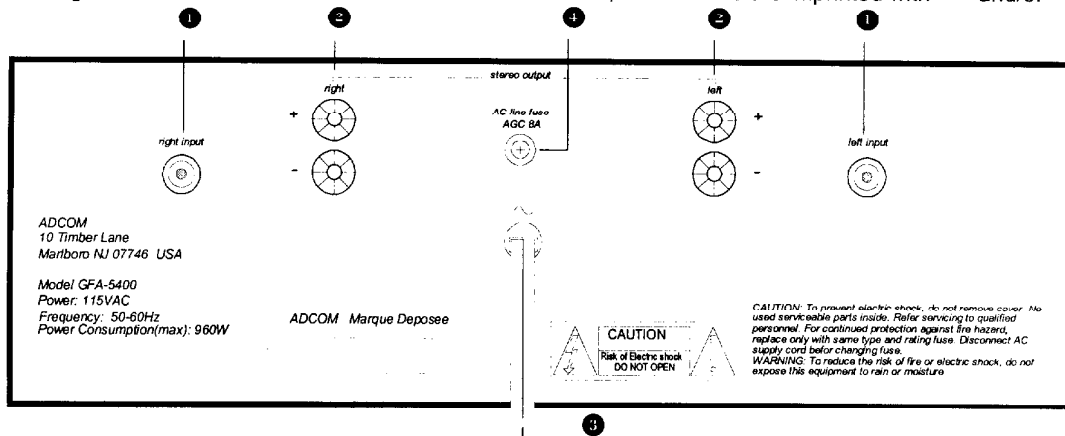
WARNING

Whenever connections to or from the GFA-5400 are being made, be certain that the AC on/off switch of the amplifier is in the off position, the AC cord of the amplifier is disconnected from the AC wall outlet and that all associated components are turned off.

as a positive going signal at its output. The GFA-5400's connections to the loudspeakers are made through two high quality, five-way, gold plated binding posts located on the rear panel. These terminals will accommodate bare wire, tinned wire, terminal pins, spade lugs or banana plugs, both single and dual. These output terminals are color coded RED and BLACK to indicate polarity. To ensure correct stereo phasing, you must connect the RED output terminal (labeled "+") to the loudspeaker input terminal color-coded RED (or labeled POSITIVE, "+", POS, 8 OHMS or 4 OHMS). The BLACK binding post terminal on the amplifier (labeled "-") should be connected to the loudspeaker input terminal color-coded BLACK (or labeled NEGATIVE, "-", NEG, C, COMMON, G, or GROUND).

The RIGHT OUTPUT should be connected to the right channel loudspeaker, as you face the pair of loudspeakers, and the LEFT OUTPUT to the left channel loudspeaker.

In order to ensure that connections to the loudspeakers are correct, you must be able to identify each wire conductor of the loudspeaker cables at both ends of the cables. This is relatively easy to do since most loudspeaker cables consist of two parallel, stranded conductors in a flexible insulation, with a coding system for wire identification. Sometimes there is a colored "tracer" wrapped around one of the conductors; some cables have one of the conductors colored silver and the other copper; some have a "ridge" molded on the insulation of one of the conductors, while others are imprinted with "+" and/or "-" markings.



GFA-5400 Rear Panel Diagram

Generally speaking, when making connections to the loudspeakers from the amplifier it is very important to use the correct type and size of wire in order to avoid unnecessary loss of amplifier power in the cable, reduction of amplifier damping factor and other undesirable conditions. For runs up to twelve feet, ordinary "zip" or lamp cord, made up of AWG18 stranded wire and available in a variety of insulation colors may be used. For runs up to forty feet, AWG16 stranded wire should be used as a minimum to prevent power losses. For lengths over forty feet and not exceeding sixty feet, use at least AWG14 stranded wire. Runs exceeding sixty feet require the use of heavier conductors such as AWG12.

There are several different ways to connect the wiring to the RIGHT and LEFT OUTPUTS. The methods used will depend on the specific type of connectors supplied with the loudspeakers, the speaker cables, etc. As a matter of course, we prefer the use of banana plugs, generally it is the most secure method of connection. Also, the springs of the banana plugs create a self-cleaning action, which ensures the best contact between the binding posts and the connectors themselves. There are "sockets" provided in the center of the binding posts' studs which permit secure seating of the banana plugs. Before inserting the banana plug into the binding post, ensure the binding post is securely hand tightened in a clockwise direction.

Additionally, when connecting the cables to the amplifier and loudspeakers, it is important that you "tin" the wires with good quality electronic solder in order to minimize contact resistance. Tinning prevents the buildup of surface compounds, which can form on copper wire and increase its contact resistance.

If you prefer to use other methods of connection, unscrew the insulated head of the binding post until the hole in the binding post stud is accessible. You can then insert the bare or tinned wire, or terminal pin, through the hole. You can also use the many variety of spade lugs available by simply placing the tines of the spade lug onto the binding post stud. Turn the insulated head of the binding post clockwise until the wire or connector is firmly secured. Finger pressure is sufficient and you should not use pliers or other tools, which could damage or over tighten the binding post assembly. The binding post has been designed in such a way that finger pressure is all that is required to cause a "pinching" action among the different metal surfaces to ensure proper connection.

All loudspeakers having nominal impedance down to 4 ohms can be connected to, and driven by the GFA-5400. The amplifier can drive these low impedance at more than adequate power levels with no difficulty. It should be noted here that many loudspeaker systems which are nominally rated at 4 ohms, in actuality drop in impedance, in some areas of their frequency range, to below 2 ohms. You should not experience difficulties even with these very low impedance loads unless you demand excessively high volume levels from the system.

In most applications, you can drive two or more sets of loudspeakers. You should note, however, that when loudspeakers are run in parallel, the impedance presented to the amplifier is lower than the nominal impedance of each loudspeaker. In other words, if you parallel two 8 ohm sets of loudspeakers, the resultant impedance presented to the amplifier will be 4 ohms. If 8 ohm and 4 ohm loudspeakers are paralleled, the resultant impedance will be approximately 2.6 ohms. In this last situation, depending upon the lowest impedance of the nominally 4 ohm speakers, and if excessive power demands are placed on the amplifier, you may trigger the THERMAL PROTECTION on the amplifier. See its respective section for more information. For convenient switching of multiple sets of speakers with impedance protection for the amplifier, you should consider the use of an ADCOM speaker selector. These are available from your local ADCOM dealer.

AC LINE CORD ③

The AC cord provides power to operate all the GFA-5400's circuits. Its plug can be connected to a standard wall outlet provided the outlet supplies a voltage compatible with the "Power" requirements printed on the rear of the GFA-5400.

The GFA-5400's power cord is supplied with a "polarized" AC plug as required by UL/CSA standards and the National Electrical Code. To minimize the risk of electrical shock and to ensure minimal hum from the system, do not defeat the polarity ensuring feature of the plug (one wide blade and one narrow blade). To prevent electrical shock, do not use this polarized plug with an extension cord or other outlet unless the blades can be fully inserted to prevent blade exposure.

AC POWER FUSE ④

The AC POWER FUSE protects the electronic circuits of the GFA-5400. This fuse will normally blow only if there is an overload within the GFA-5400. For continued protection of the electronic circuit the fuse should only be replaced with a fuse of the same type and value as printed on the rear panel of the amplifier.

If turning on the amplifier does not cause the POWER LED to glow, this may indicate that the AC POWER FUSE is blown. Unplug the AC LINE CORD from the AC wall outlet and turn the AC ON/OFF SWITCH off and check the fuse. If the fuse is blown, replace it only with one of the same type and value as printed on the rear panel of the amplifier. If, after replacing the fuse, it blows immediately upon turning on the amplifier (POWER LED does not glow), a failed electronic component or other internal problem must be suspected. Make no further attempts at fuse replacement or operation of the amplifier. **Refer the problem to competent ADCOM authorized service personnel.**

To remove a blown or suspect fuse from its holder, use only a # 2 Phillips screwdriver to prevent damage to the fuse holder. Simply press lightly on the fuse holder cap and turn counterclockwise. The cap will pop out after a quarter turn. Once a new fuse has been installed in the fuse holder cap, insert it into the fuse holder body and press lightly while turning the cap clockwise until it is firmly seated. Be certain not to cause cross threading of the fuse holder body and cap to prevent damage to the fuse holder. **DO NOT FORCE THE FUSE HOLDER CAP INTO THE THREADS.**

WARNING!

Before attempting to check or replace a blown fuse, be certain to unplug the AC line cord from the AC wall outlet to prevent possible electrical shock.

Replace the AC POWER FUSE only with one identical in type and rating as printed on the rear panel. DO NOT USE ANY SUBSTITUTE FUSES WITH DIFFERENT RATINGS OR VALUES. Failure to observe this precaution may cause serious damage to the amplifier circuits, MAY CREATE A FIRE HAZARD, AND MAY VOID THE WARRANTY.

**AC POWER FUSE For 115 Volt operation: 8 AMP AGC/250V
AC POWER FUSE For 230 Volt operation: 4 AMP AGC/250VAC**

ON/OFF SWITCH 5

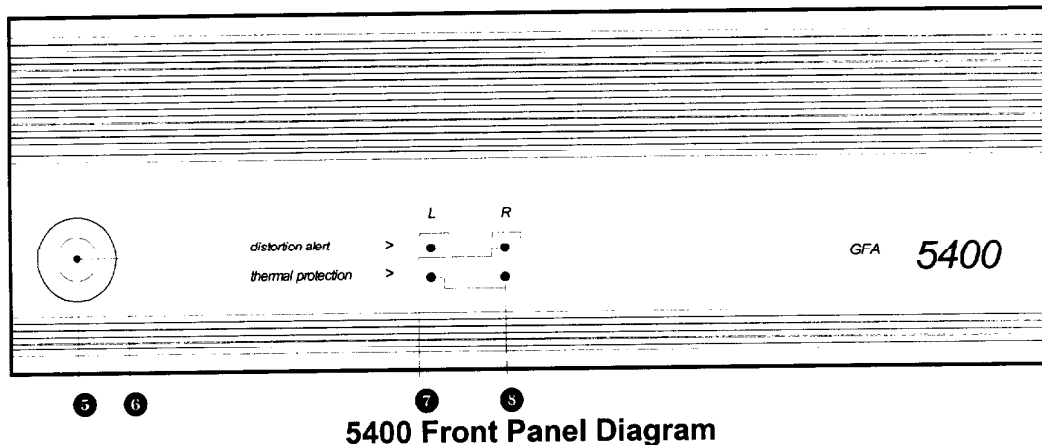
The AC ON/OFF SWITCH controls power to the power transformer circuits of the GFA-5400. Whenever the GFA-5400 is energized the POWER LED will glow. Depress the push button switch to energize the GFA-5400. Press the switch again to turn the amplifier off.

POWER LED 6

This LED will glow whenever the AC ON/OFF switch is turned on and the GFA-5400 is energized. The POWER LED indicates that there is AC voltage being fed to the amplifier, but it does not signify that the entire amplifier's circuits are in operation. If, for example, the THERMAL PROTECTION LED glows, the amplifier will not produce sound even though the POWER LED may still glow.

Additionally, the internal power transformer is provided with a thermostat, which will interrupt power into the transformer if its temperature exceeds 125°C. This high temperature will seldom, if ever, be encountered unless the amplifier is subjected to abnormal conditions, such as operation into loads of less than 3 ohms at very high listening levels, etc. If the AC POWER FUSE is not blown, the POWER LED is out, and the THERMAL PROTECTION LED is lit, this would indicate that the thermostat within the transformer has opened.

Once the temperature within the transformer decreases to a normal level, the thermostat will reset itself automatically and normal operation will resume. If you are to avoid continually tripping the thermostat in the transformer, you must reduce the sound level demands, correct the load impedance of the loudspeakers, or both.



INSTANTANEOUS DISTORTION ALERT LEDs 7

The INSTANTANEOUS DISTORTION ALERT circuit is a unique ADCOM distortion detection system, which reads all forms of non-linear distortion such as THD, IM, slew-induced, "clipping", etc. The INSTANTANEOUS DISTORTION ALERT LEDs will light when distortion reaches 1% regardless of impedance, voltage/current phase angle or the reactance of the loudspeakers which the amplifier is driving. Sometimes, when the amplifier is in use, the LEDs may occasionally flicker during high volume listening, particularly if you are driving low impedance loads. This flickering is no cause for concern. The LEDs are simply warning you that the amplifier is approaching its maximum power output into the particular loudspeakers you are using. If, however, the INSTANTANEOUS DISTORTION ALERT LEDs glow brightly or are illuminated most of the time during playback, you are overdriving the amplifier and should turn down your volume control to reduce the listening level. If not, excessive level may cause the THERMAL PROTECTION to be activated or, in extreme cases, damage your loudspeakers.

THERMAL PROTECTION LEDs

The GFA-5400 is provided with a thermal protection circuit, which will shut down the amplifier if either heatsink's temperature reaches 85°C. The THERMAL PROTECTION LEDs will light whenever the thermal protection circuit on its respective channel has been triggered and the amplifier is inoperative. The thermal protection circuitry will typically be triggered by very high power demands into impedance much lower than the amplifier is capable of driving at those levels. If either amplifier channel's output through the loudspeaker(s) ceases abruptly, and one or both of the THERMAL PROTECTION LEDs glow, you will know that its heatsink temperature has become unacceptably high and the circuitry is protecting the amplification devices. Please note that the POWER LED will remain on and the amplifier will still be energized. Once the temperature of the heatsink(s) drops to a safe operating level, the amplifier will automatically resume operation.

Activation of the thermal protection circuitry in the GFA-5400 is an indication that the amplifier has been overdriven or that the load the loudspeakers are presenting to the amplifier is unreasonably low. If you wish to prevent recurring activation of the thermal protection circuitry, you must reduce the volume level demands or correct the load-impedance condition which may be causing activation of this circuitry, or both internal protection fuses may blow.

CARING FOR YOUR GFA-5400

Great care has been taken by ADCOM to ensure that your amplifier is as flawless in appearance as it is electronically. The front panel is a heavy gauge, high-grade aluminum extrusion carefully finished and anodized for durability. The chassis, top cover and rear panels are heavy gauge steel, that has been powder coated and baked to ensure a lasting finish. If the front panel, top or sides become dusty or finger printed, they can be cleaned with a soft lint free cloth, slightly dampened with a very mild detergent solution or glass cleaner.

WARNING!

Do not spray or pour liquids of any kind on the GFA-5400.

SERVICING

ADCOM has a Technical Service Department to answer questions pertinent to the installation and operation of your unit. In the event of difficulty please contact us for prompt advice. If your problem cannot be resolved through our combined efforts, we may refer you to an authorized repair agency, or authorize return of the unit to our factory. To aid us in directing you to a convenient service center, it would be helpful if you indicate which major city is accessible to your home.

Please address mail inquires to:

**ADCOM Service Corporation
10 Timber Lane
Marlboro, NJ 07746 USA**

Phone, Fax or E-mail inquires to:

**Tel.: 732-683-2356
Fax: 732-683-9790
Monday through Friday
9:00 AM to 5:00 PM EST
service@adcom.com**

For Fax inquires, please include a return Fax number for the reply. When calling or writing about your GFA-5400, be sure to note and refer to its serial number as well as the date of purchase and the dealer from whom it was purchased. It is helpful in any communications to us. Please include a daytime phone number where we may reach you. In the event the unit must be returned to our factory for service, you will be instructed on the proper procedure when you call or write for a Return Authorization. **UNDER NO CIRCUMSTANCES SHOULD YOUR UNIT BE SHIPPED TO OUR FACTORY WITHOUT PRIOR AUTHORIZATION, OR PACKED IN OTHER THAN ITS ORIGINAL CARTON AND FILLERS.**

If the original shipping carton and its fillers have been lost, discarded, or damaged, a duplicate carton may be obtained from our Service Department for a nominal charge.

Always ship PREPAID VIA UNITED PARCEL SERVICE (UPS) OR OTHER APPROVED CARRIER. DO NOT SHIP VIA PARCEL POST, since the packing was not designed to withstand rough Parcel Post handling.

**FREIGHT COLLECT SHIPMENTS WILL NOT BE ACCEPTED
UNDER ANY CIRCUMSTANCES.**

GFA-5400 SPECIFICATIONS

Power Rating (To FTC Requirements)

125 watts continuous average power into 8 ohms: 20Hz and 20kHz with both channels driven at less than 0.18% THD
200 watts continuous average power into 4 ohms: 20Hz and 20kHz with both channels driven at less than 0.18% THD

IM Distortion (SMPTE)

1 watt to 125 watts into 8 ohms.....≤ 0.05%
1 watt to 200 watts into 4 ohms.....≤ 0.05%

IM Distortion (CCIF, Any Combination from 4kHz to 20kHz)

125 watts into 8 ohms.....≤ 0.035%
200 watts into 4 ohms.....≤ 0.035%

THD + Noise at 125 watts into 8 ohms (Typical)

20Hz.....0.018%
1kHz.....0.02%
10kHz.....0.07%
20kHz.....0.14%

THD + Noise at 200 watts into 4 ohms (Typical)

20Hz.....0.018%
1kHz.....0.02%
10kHz.....0.08%
20kHz.....0.165%

Frequency Response @ 1 Watt into 8 ohms (10Hz to 20kHz).....+0, -0.25dB

Power Bandwidth (-3dB).....3Hz to 130kHz

Dynamic Headroom into 4 ohms.....1.7dB

Signal to Noise Ratio, "A" Weighted (125 watts onto 8 ohms).....≥ 100dB

Gain.....29 dB

Input Impedance.....49.9K ohms

Input Sensitivity

for 1 Watt output.....0.1 volts
for 125 Watts output.....1.125 volts

Damping Factor (20Hz to 20kHz).....≥ 500

Rise Time (5kHz, 90 V peak-to-peak square wave, 20% to 80%).....1.9 μS

Power Consumption (Continuous, Both Channels Driven)

Quiescent.....150VA
Maximum.....960VA
125 watts into 8 ohms.....580VA
200 watts into 4 ohms.....920VA

Power (Available in 230VAC by special order).....115VAC - 50/60Hz

Chassis Dimensions.....5" (127mm) x 17" (432mm) x 11½" (292mm)

Maximum Dimensions.....5¾" (137mm) x 17" (432mm) x 12½" (375mm)

Weight.....26 lbs. (11.8kg)

Weight, Packed.....30 lbs. (13.6kg)



10 Timber Lane
Marlboro, NJ 07746
Tel: 732-683-2356
Fax: 732-683-9790
www.adcom.com

Printed in the USA GFA54/98/v.1.2

Free Manuals Download Website

<http://myh66.com>

<http://usermanuals.us>

<http://www.somanuals.com>

<http://www.4manuals.cc>

<http://www.manual-lib.com>

<http://www.404manual.com>

<http://www.luxmanual.com>

<http://aubethermostatmanual.com>

Golf course search by state

<http://golfingnear.com>

Email search by domain

<http://emailbydomain.com>

Auto manuals search

<http://auto.somanuals.com>

TV manuals search

<http://tv.somanuals.com>