



## FOR PERFECT RESULTS

Thank you for choosing this AEG product. We have created it to give you impeccable performance for many years, with innovative technologies that help make life simpler – features you might not find on ordinary appliances. Please spend a few minutes reading to get the very best from it.

## ACCESSORIES AND CONSUMABLES

In the AEG webshop, you'll find everything you need to keep all your AEG appliances looking spotless and working perfectly. Along with a wide range of accessories designed and built to the high quality standards you would expect, from specialist cookware to cutlery baskets, from bottle holders to delicate laundry bags...



Visit the webshop at:  
[www.aeg.com/shop](http://www.aeg.com/shop)

# CONTENTS

4	Safety information
6	Control panel
9	First use
10	Daily use
13	Helpful hints and tips
14	Care and cleaning
15	What to do if...
17	Technical data
18	Installation
25	Noises
27	Environmental concerns

The following symbols are used in this user manual:



Important information concerning your personal safety and information on how to avoid damaging the appliance.



General information and tips



Environmental information

Subject to change without notice



## SAFETY INFORMATION

In the interest of your safety and to ensure the correct use, before installing and first using the appliance, read this user manual carefully, including its hints and warnings. To avoid unnecessary mistakes and accidents, it is important to ensure that all people using the appliance are thoroughly familiar with its operation and safety features. Save these instructions and make sure that they remain with the appliance if it is moved or sold, so that everyone using it through its life will be properly informed on appliance use and safety. For the safety of life and property keep the precautions of these user's instructions as the manufacturer is not responsible for damages caused by omission.

### Children and vulnerable people safety

- This appliance is not intended for use by persons (including children) with reduced physical, sensory or mental capabilities, or lack of experience and knowledge, unless they have been given supervision or instruction concerning use of the appliance by a person responsible for their safety.

Children should be supervised to ensure that they do not play with the appliance.

- Keep all packaging well away from children. There is risk of suffocation.
- If you are discarding the appliance pull the plug out of the socket, cut the connection cable (as close to the appliance as you can) and remove the door to prevent playing children to suffer electric shock or to close themselves into it.
- If this appliance featuring magnetic door seals is to replace an older appliance having a spring lock (latch) on the door or lid, be sure to make that spring lock unusable before you discard the old appliance. This will prevent it from becoming a death trap for a child.

### General safety



#### WARNING!

Keep ventilation openings, in the appliance enclosure or in the built-in structure, clear of obstruction.

- The appliance is intended for keeping foodstuff and/or beverages in a normal household as explained in this instruction booklet.
- Do not use a mechanical device or any artificial means to speed up the thawing process.
- Do not use other electrical appliances (such as ice cream makers) inside of refrigerating appliances, unless they are approved for this purpose by the manufacturer.
- Do not damage the refrigerant circuit.
- The refrigerant isobutane (R600a) is contained within the refrigerant circuit of the appliance, a natural gas with a high level of environmental compatibility, which is nevertheless flammable.

During transportation and installation of the appliance, be certain that none of the components of the refrigerant circuit become damaged.

If the refrigerant circuit should become damaged:

- avoid open flames and sources of ignition

- thoroughly ventilate the room in which the appliance is situated
- It is dangerous to alter the specifications or modify this product in any way. Any damage to the cord may cause a short-circuit, fire and/or electric shock.

**WARNING!**

Any electrical component (power cord, plug, compressor) must be replaced by a certified service agent or qualified service personnel to avoid hazard.

1. Power cord must not be lengthened.
  2. Make sure that the power plug is not squashed or damaged by the back of the appliance. A squashed or damaged power plug may overheat and cause a fire.
  3. Make sure that you can come to the mains plug of the appliance.
  4. Do not pull the mains cable.
  5. If the power plug socket is loose, do not insert the power plug. There is a risk of electric shock or fire.
  6. You must not operate the appliance without the lamp cover<sup>1)</sup> of interior lighting.
- This appliance is heavy. Care should be taken when moving it.
  - Do not remove nor touch items from the freezer compartment if your hands are damp/wet, as this could cause skin abrasions or frost/freezer burns.
  - Avoid prolonged exposure of the appliance to direct sunlight.
  - Bulb lamps<sup>2)</sup> used in this appliance are special purpose lamps selected for household appliances use only. They are not suitable for household room illumination.

## Daily Use

- Do not put hot pot on the plastic parts in the appliance.
- Do not store flammable gas and liquid in the appliance, because they may explode.
- Do not place food products directly against the air outlet on the rear wall.<sup>3)</sup>
- Frozen food must not be re-frozen once it has been thawed out.
- Store pre-packed frozen food in accordance with the frozen food manufacturer's instructions.
- Appliance's manufacturers storage recommendations should be strictly adhered to. Refer to relevant instructions.
- Do not place carbonated or fizzy drinks in the freezer compartment as it creates pressure on the container, which may cause it to explode, resulting in damage to the appliance.
- Ice lollies can cause frost burns if consumed straight from the appliance.

## Care and cleaning

- Before maintenance, switch off the appliance and disconnect the mains plug from the mains socket.
- Do not clean the appliance with metal objects.
- Do not use sharp objects to remove frost from the appliance. Use a plastic scraper.

1) If the lamp cover is foreseen.

2) If the lamp is foreseen.

3) If the appliance is Frost Free.

- Regularly examine the drain in the refrigerator for defrosted water. If necessary, clean the drain. If the drain is blocked, water will collect in the bottom of the appliance.

## Installation



For electrical connection carefully follow the instructions given in specific paragraphs.


- Unpack the appliance and check if there are damages on it. Do not connect the appliance if it is damaged. Report possible damages immediately to the place you bought it. In that case retain packing.
- It is advisable to wait at least four hours before connecting the appliance to allow the oil to flow back in the compressor.
- Adequate air circulation should be around the appliance, lacking this leads to overheating. To achieve sufficient ventilation follow the instructions relevant to installation.
- Wherever possible the back of the product should be against a wall to avoid touching or catching warm parts (compressor, condenser) to prevent possible burn.
- The appliance must not be located close to radiators or cookers.
- Make sure that the mains plug is accessible after the installation of the appliance.
- Connect to potable water supply only. <sup>4)</sup>

## Service

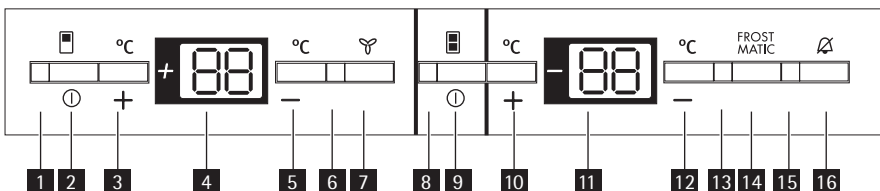
- Any electrical work required to do the servicing of the appliance should be carried out by a qualified electrician or competent person.
- This product must be serviced by an authorized Service Centre, and only genuine spare parts must be used.

## Environment Protection



This appliance does not contain gasses which could damage the ozone layer, in either its refrigerant circuit or insulation materials. The appliance shall not be discarded together with the urban refuse and rubbish. The insulation foam contains flammable gases: the appliance shall be disposed according to the applicable regulations to obtain from your local authorities. Avoid damaging the cooling unit, especially at the rear near the heat exchanger. The materials used on this appliance marked by the symbol  are recyclable.

## CONTROL PANEL



**1** Fridge Pilot light

<sup>4)</sup> If a water connection is foreseen.

- 2 Fridge ON/OFF switch
- 3 Fridge temperature regulator, + button
- 4 Fridge temperature indicator
- 5 Fridge temperature regulator, - button
- 6 DYNAMICAIR indicator
- 7 DYNAMICAIR button
- 8 Appliance Pilot light
- 9 Appliance ON/OFF switch
- 10 Freezer temperature regulator, + button
- 11 Freezer temperature indicator
- 12 Freezer temperature regulator, - button
- 13 FROSTMATIC indicator
- 14 FROSTMATIC button
- 15 Alarm indicator
- 16 Alarm reset button

## Switching on

1. Insert the plug into the mains socket.
2. Press ON/OFF switch .
3. The Pilot Light will light up.
4. The alarm indicator light flashes since the temperature is reached.  
The acoustic alarm sounds.
5. Press the alarm reset button to reset the alarm.

## Switching off the fridge

1. Keep ON/OFF switch pressed for more than 5 seconds.
2. A countdown on the temperature indicator, from -3 -2 -1 will be shown. When "1" appears the fridge is turned off. The temperature indicator switches off. The Pilot light switches off.

## Switching off the appliance

1. Keep ON/OFF switch pressed for more than 5 seconds.
2. A countdown on the temperature indicators, from -3 -2 -1 will be shown. When "1" appears the appliance is turned off. The temperature indicators switch off. The Pilot lights switch off.

## High temperature alarm

In the event of an abnormal temperature rise inside the freezer (e.g. power cut) alarm indicator light will start to flash and a buzzer will sound.

Push the alarm reset button to stop the buzzer sound, while the alarm indicator light will continue to flash.

The buzzer will stop automatically when the temperature has returned to normal while the alarm indicator light will continue to flash.

Press the alarm reset button. The alarm indicator light goes out and at the same time the freezer temperature indicator show for about 5 seconds the warmest temperature reached in the freezer compartment.

## Temperature setting buttons

The temperature is adjusted using the temperature setting buttons. These buttons are connected to the temperature indicator.

- Each time one of the two buttons is pressed again the temperature is adjusted by 1°C. The set temperature will be reached within 24 hours.

## Temperature indicators

The temperature indicators show several information:

- During normal operation, the temperature currently set for fridge and freezer are displayed.
- When the temperature is being adjusted a flashing display indicates the fridge/freezer temperature currently set .

## Temperature regulation

To operate the appliance, proceed as follows:

1. Set the required temperature by pressing the corresponding temperature regulator. The temperature indicator will immediately show the changed setting and the temperature indicator flashes.
2. Each time the temperature regulator is pressed the temperature is adjusted by 1 °C. The set temperature will be reached within 24 hours.
3. The temperature indicator will change from flashing to continuous illumination.

For a correct storage of the food the following temperatures should be set:

- +5 °C in the fridge
- -18 °C in the freezer.



When the setting is changed, the compressor does not start immediately if automatic defrosting is currently taking place. As the storage temperature within the fridge is reached quickly you can store food immediately after switching on.

## DYNAMICAIR function

To switch on the function:

1. Press the DYNAMICAIR button.
2. The DYNAMICAIR indicator is shown.

To switch off the function:

1. Press the DYNAMICAIR button.
2. The DYNAMICAIR indicator goes off.



If the function is activated automatically the DYNAMICAIR indicator is not shown (refer to "Daily use").

The activation of the DYNAMICAIR function increases the energy consumption.



## COOLMATIC function

The COOLMATIC function is suitable for quick cooling of large quantities of goods in the refrigerator.

To activate the function, do these steps:

1. Press the Fridge Temperature - button (several times if necessary) until the word "SC" appears in the display.

A temperature of +2°C is automatically selected.

To deactivate the function, do these steps:

1. Press the Fridge Temperature + button .



The COOLMATIC function stops automatically after about 6 hours.

If the COOLMATIC function is switched on the temperature setting may not be changed.

## Holiday function

This function allows you to keep the refrigerator shut and empty during a long holiday period (e.g. the summer holidays) without the formation of a bad smell.



The fridge compartment must be empty when the holiday function is on.

To activate the function:

1. press continuously the temperature regulator (+ button) until the letter "H" (Holiday) appears on the temperature indicator. The Holiday function sets the temperature approx +15°C. The refrigerator is in the energy-saving mode.

To deactivate the function:

1. set the required temperature by pressing the fridge temperature regulator.

## FROSTMATIC function

The FROSTMATIC function accelerates the freezing of fresh food and, at the same time, protects foodstuffs already stored from undesirable warming.

To activate the function, do these steps:

1. Press the FROSTMATIC button.
2. The FROSTMATIC indicator switches on.

The FROSTMATIC function is ended automatically after a period of 52 hours.

You can deactivate the function at any time:

1. Press the FROSTMATIC button.
2. The FROSTMATIC indicator switches off.

## FIRST USE

### Cleaning the interior

Before using the appliance for the first time, wash the interior and all internal accessories with lukewarm water and some neutral soap so as to remove the typical smell of a brand-new product, then dry thoroughly.



Do not use detergents or abrasive powders, as these will damage the finish.

## DAILY USE

### Freezing fresh food

The freezer compartment is suitable for freezing fresh food and storing frozen and deep-frozen food for a long time.

To freeze fresh food activate the FROSTMATIC function at least 24 hours before placing the food to be frozen in the freezer compartment.

Place the fresh food to be frozen in the upper compartment.

The maximum amount of food that can be frozen in 24 hours is specified on the rating plate, a label located on the inside of the appliance.

The freezing process lasts 24 hours: during this period do not add other food to be frozen.

### Storage of frozen food

When first starting-up or after a period out of use, before putting the products in the compartment let the appliance run at least 2 hours on the higher settings.

If large quantities of food are to be stored, remove all drawers and baskets from appliance and place food on cooling shelves to obtain the best performance.



#### **WARNING!**

Make sure that foods do not exceed the load limit stated on the side of the upper section

(where applicable) 



In the event of accidental defrosting, for example due to a power failure, if the power has been off for longer than the value shown in the technical characteristics chart under "rising time", the defrosted food must be consumed quickly or cooked immediately and then re-frozen (after cooling).

### Frozen Food Calendar



The symbols show different types of frozen goods.

The numbers indicate storage times in months for the appropriate types of frozen goods.

Whether the upper or lower value of the indicated storage time is valid depends on the quality of the foods and treating before freezing.

### Thawing

Deep-frozen or frozen food, prior to being used, can be thawed in the refrigerator compartment or at room temperature, depending on the time available for this operation.

Small pieces may even be cooked still frozen, directly from the freezer: in this case, cooking will take longer.

## Ice-cube production

This appliance is equipped with one or more trays for the production of ice-cubes. Fill these trays with water, then put them in the freezer compartment.



Do not use metallic instruments to remove the trays from the freezer.

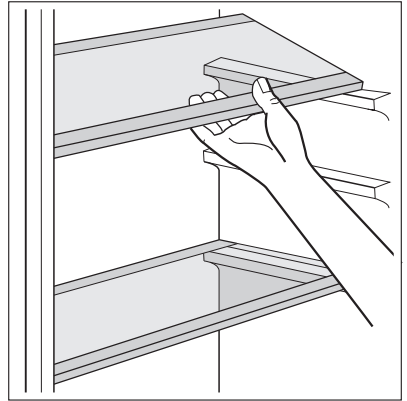
## Cold accumulators

One or more cold accumulators are supplied in the freezer; these increase the length of time for which food will keep in the event of a power failure or breakdown.

## Movable shelves

The walls of the refrigerator are equipped with a series of runners so that the shelves can be positioned as desired.

For better use of space, the front half-shelves can lie over the rear ones.



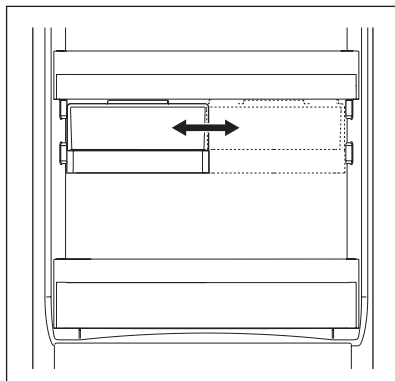
## Positioning the door shelves

To permit storage of food packages of various sizes, the door shelves can be placed at different heights.

## Positioning the sliding box

The sliding box can be placed at different heights. To make these adjustments proceed as follow:

1. lift the shelf with the sliding box upwards and out of the holders in the door
2. remove the retaining bracket out of the guide under the shelf
3. Reverse the above operation to insert the sliding box at a different height.



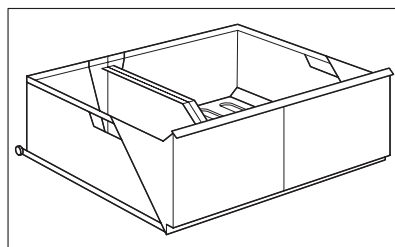
## MAXIBOX drawer

The drawer is suitable for storing fruit and vegetables.

There is a separator inside the drawer that can be placed in different positions to allow for the subdivision best suited to personal needs.

There is a grille (if foreseen) on the bottom of the drawer to separate the fruit and vegetables from any humidity that may form on the bottom surface.

All parts inside the drawer can be removed for cleaning purposes



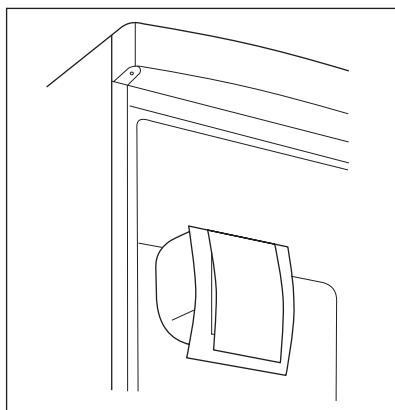
## DYNAMICAIR

The refrigerator compartment is equipped with a device that allows for rapid cooling of foods and more uniform temperature in the compartment. This device activates by itself when needed, for example for a quick temperature recovering after door opening or when the ambient temperature is high.

Allows you to switch on the device manually when needed (refer to "DYNAMICAIR Function").



The DYNAMICAIR device stops when the door is open and restarts immediately after the door closing.



## HELPFUL HINTS AND TIPS

### Hints for energy saving

- Do not open the door frequently or leave it open longer than absolutely necessary.
- If the ambient temperature is high and the Temperature Regulator is set to low temperature and the appliance is fully loaded, the compressor may run continuously, causing frost or ice on the evaporator. If this happens, set the Temperature Regulator toward warmer settings to allow automatic defrosting and so a saving in electricity consumption.

### Hints for fresh food refrigeration

To obtain the best performance:

- do not store warm food or evaporating liquids in the refrigerator
- do cover or wrap the food, particularly if it has a strong flavour
- position food so that air can circulate freely around it

### Hints for refrigeration

Useful hints:

Meat (all types) : wrap in polythene bags and place on the glass shelf above the vegetable drawer.

For safety, store in this way only one or two days at the most.

Cooked foods, cold dishes, etc.: these should be covered and may be placed on any shelf.

Fruit and vegetables: these should be thoroughly cleaned and placed in the special drawer(s) provided.

Butter and cheese: these should be placed in special airtight containers or wrapped in aluminium foil or polythene bags to exclude as much air as possible.

Milk bottles: these should have a cap and should be stored in the bottle rack on the door.

Bananas, potatoes, onions and garlic, if not packed, must not be kept in the refrigerator.

### Hints for freezing

To help you make the most of the freezing process, here are some important hints:

- the maximum quantity of food which can be frozen in 24 hrs. is shown on the rating plate;
- the freezing process takes 24 hours. No further food to be frozen should be added during this period;
- only freeze top quality, fresh and thoroughly cleaned, foodstuffs;
- prepare food in small portions to enable it to be rapidly and completely frozen and to make it possible subsequently to thaw only the quantity required;
- wrap up the food in aluminium foil or polythene and make sure that the packages are airtight;
- do not allow fresh, unfrozen food to touch food which is already frozen, thus avoiding a rise in temperature of the latter;
- lean foods store better and longer than fatty ones; salt reduces the storage life of food;

- water ices, if consumed immediately after removal from the freezer compartment, can possibly cause the skin to be freeze burnt;
- it is advisable to show the freezing in date on each individual pack to enable you to keep tab of the storage time.

## Hints for storage of frozen food

To obtain the best performance from this appliance, you should:

- make sure that the commercially frozen foodstuffs were adequately stored by the retailer;
- be sure that frozen foodstuffs are transferred from the foodstore to the freezer in the shortest possible time;
- not open the door frequently or leave it open longer than absolutely necessary.
- Once defrosted, food deteriorates rapidly and cannot be refrozen.
- Do not exceed the storage period indicated by the food manufacturer.

## CARE AND CLEANING



### CAUTION!

Unplug the appliance before carrying out any maintenance operation.



This appliance contains hydrocarbons in its cooling unit; maintenance and recharging must therefore only be carried out by authorized technicians.

## Periodic cleaning

The equipment has to be cleaned regularly:

- clean the inside and accessories with lukewarm water and some neutral soap.
- regularly check the door seals and wipe clean to ensure they are clean and free from debris.
- rinse and dry thoroughly.



Do not pull, move or damage any pipes and/or cables inside the cabinet.

Never use detergents, abrasive powders, highly perfumed cleaning products or wax polishes to clean the interior as this will damage the surface and leave a strong odour.

Clean the condenser (black grill) and the compressor at the back of the appliance with a brush. This operation will improve the performance of the appliance and save electricity consumption.



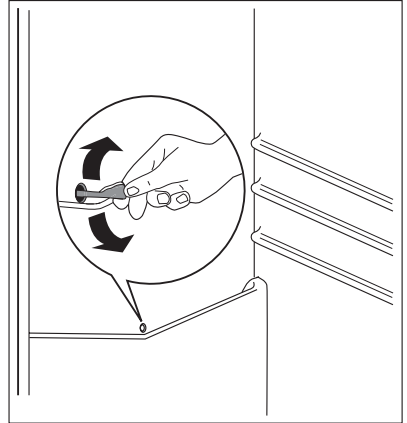
Take care of not to damage the cooling system.

Many proprietary kitchen surface cleaners contain chemicals that can attack/damage the plastics used in this appliance. For this reason it is recommended that the outer casing of this appliance is only cleaned with warm water with a little washing-up liquid added. After cleaning, reconnect the equipment to the mains supply.

## Defrosting of the refrigerator

Frost is automatically eliminated from the evaporator of the refrigerator compartment every time the motor compressor stops, during normal use. The defrost water drains out through a trough into a special container at the back of the appliance, over the motor compressor, where it evaporates.

It is important to periodically clean the defrost water drain hole in the middle of the refrigerator compartment channel to prevent the water overflowing and dripping onto the food inside. Use the special cleaner provided, which you will find already inserted into the drain hole.



## Defrosting of the freezer

The freezer compartment of this model, on the other hand, is a "no frost" type. This means that there is no buildup of frost when it is in operation, neither on the internal walls nor on the foods.

The absence of frost is due to the continuous circulation of cold air inside the compartment, driven by an automatically controlled fan.

## Periods of non-operation

When the appliance is not in use for long periods, take the following precautions:

- disconnect the appliance from electricity supply
- remove all food
- defrost<sup>5)</sup> and clean the appliance and all accessories
- leave the door/doors ajar to prevent unpleasant smells.

If the cabinet will be kept on, ask somebody to check it once in a while to prevent the food inside from spoiling in case of a power failure.

## WHAT TO DO IF...



### **WARNING!**

Before troubleshooting, disconnect the mains plug from the mains socket.

Only a qualified electrician or competent person must do the troubleshooting that is not in this manual.

5) If foreseen.



There are some sounds during normal use (compressor, refrigerant circulation).

Problem	Possible cause	Solution
The appliance is noisy	The appliance is not supported properly	Check if the appliance stands stable (all the four feet should be on the floor)
The appliance does not operate. The lamp does not operate.	The appliance is switched off.	Switch on the appliance.
	The mains plug is not connected to the mains socket correctly.	Connect the mains plug to the mains socket correctly.
	The appliance has no power. There is no voltage in the mains socket.	Connect a different electrical appliance to the mains socket. Contact a qualified electrician.
The lamp does not work.	The lamp is in stand-by.	Close and open the door.
	The lamp is defective.	Refer to "Replacing the lamp".
The Pilot light flashes.	The appliance is not working properly.	Contact a qualified electrician.
The buzzer sounds. The Alarm light flashing.	The temperature in the freezer is too high.	Refer to "High Temperature Alarm".
The compressor operates continually.	The temperature is not set correctly.	Set a higher temperature.
	The door is not closed correctly.	Refer to "Closing the door".
	The door has been opened too frequently.	Do not keep the door open longer than necessary.
	The product temperature is too high.	Let the product temperature decrease to room temperature before storage.
	The room temperature is too high.	Decrease the room temperature.
The compressor does not start immediately after pressing the FROSTMATIC or COOLMATIC button, or after changing the temperature.	This is normal, no error has occurred.	The compressor starts after a period of time.
Water flows on the rear plate of the refrigerator.	During the automatic defrosting process, frost defrosts on the rear plate.	This is correct.
Water flows into the refrigerator.	The water outlet is clogged.	Clean the water outlet.
	Products prevent that water flows into the water collector.	Make sure that products do not touch the rear plate.



Problem	Possible cause	Solution
Temperature cannot be set .	FROSTMATIC or COOLMATIC functions switched on.	Switch off FROSTMATIC or COOLMATIC manually, or wait to set the temperature until the function has reset automatically. Refer to "FROSTMATIC or COOLMATIC function"..
The temperature in the appliance is too low/high.	The temperature regulator is not set correctly.	Set a higher/lower temperature.
	The door is not closed correctly.	Refer to "Closing the door".
	The product temperature is too high.	Let the product temperature decrease to room temperature before storage.
The temperature in the refrigerator is too high.	Many products are stored at the same time.	Store less products at the same time.
	There is no cold air circulation in the appliance.	Make sure that there is cold air circulation in the appliance.
The temperature in the freezer is too high.	Products are too near to each other.	Store products so that there is cold air circulation.

## Replacing the lamp

The appliance is equipped with a longlife LED interior light.

Only service is allowed to replace the lighting device. Contact your Service Center

## Closing the door

1. Clean the door gaskets.
2. If necessary, adjust the door. Refer to "Installation".
3. If necessary, replace the defective door gaskets. Contact the Service Center.

## TECHNICAL DATA

Dimension of the recess		
	Height	1850 mm
	Width	560 mm
	Depth	560 mm
Rising Time		21 h
Voltage		230-240 V
Frequency		50 Hz

The technical information are situated in the rating plate on the internal left side of the appliance and in the energy label.

## INSTALLATION



### WARNING!

Read the "Safety Information" carefully for your safety and correct operation of the appliance before installing the appliance.

### Positioning

Install this appliance at a location where the ambient temperature corresponds to the climate class indicated on the rating plate of the appliance:

Climate class	Ambient temperature
SN	+10°C to +32°C
N	+16°C to +32°C
ST	+16°C to +38°C
T	+16°C to +43°C

### Electrical Connection



### CAUTION!

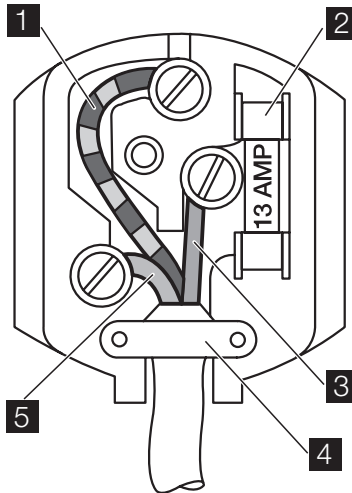
Any electrical work required to install this appliance should be carried out by a qualified electrician or competent person.



### WARNING!

This appliance must be earthed.

The manufacturer declines any liability should these safety measures not be observed.



The wires in the mains lead are coloured in accordance with the following code:

<b>1</b>	Green and Yellow:	Earth
<b>3</b>	Brown:	Live
<b>5</b>	Blue:	Neutral

As the colours of the wires in the mains lead of this appliance may not correspond with the coloured markings identifying the terminals in your plug, proceed as follows:

1. Connect the wire coloured green and yellow to the terminal marked either with the letter "E" or by the earth symbol  $\oplus$  or coloured green and yellow.
2. Connect the wire coloured blue to the terminal either marked with the letter "N" or coloured black.
3. Connect the wire coloured brown to the terminal either marked with the "L" or coloured red.
4. Check that no cut, or stray strands of wire is present and the cord clamp **4** is secure over the outer sheath.
5. Make sure the electricity supply voltage is the same as that indicated on the appliance rating plate.
6. Switch on the appliance.

The appliance is supplied with a 13 amp plug fitted **2**. In the event of having to change the fuse in the plug supplied, a 13 amp ASTA approved (BS 1362) fuse must be used.



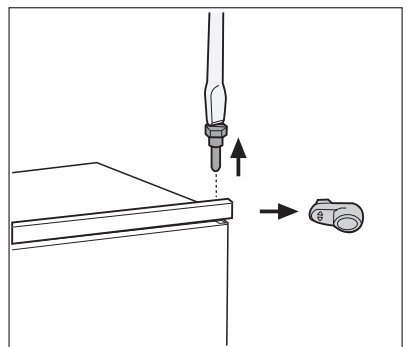
### WARNING!

A cut off plug inserted into a 13 amp socket is a serious safety (shock) hazard. Ensure that it is disposed of safely.

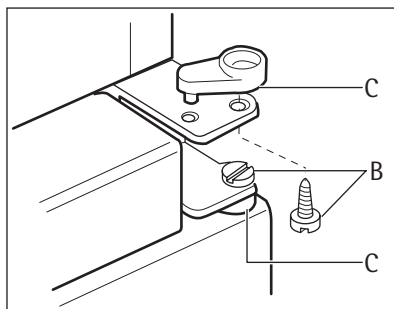
## Door reversibility

The door of the appliance opens to the right. If you want to open the door to the left, do these steps before you install the appliance:

1. Loosen the upper pin and remove the spacer.
2. Remove the upper pin and the upper door.

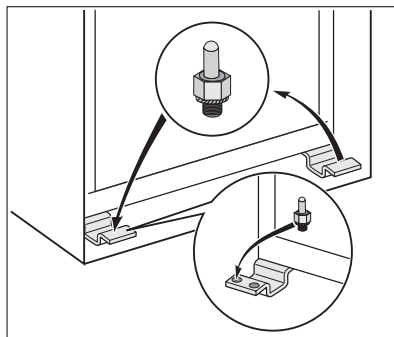


3. Unscrew the pins (B) and spacers (C).
4. Remove the lower door.



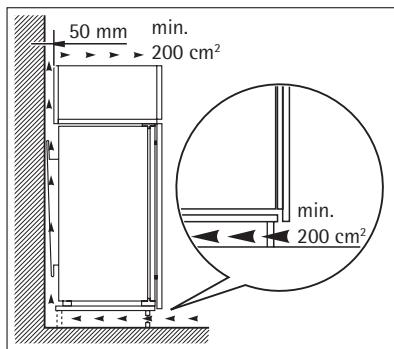
5. Loosen the lower pin.  
On the opposite side:

  1. Install the lower pin.
  2. Install the lower door.
  3. Refit the pins (B) and the spacers (C) on the middle hinge on the opposite side.
  4. Install the upper door.
  5. Tighten the spacer and tighten the upper pin.



## Ventilation requirements

The airflow behind the appliance must be sufficient.



## Installing the appliance

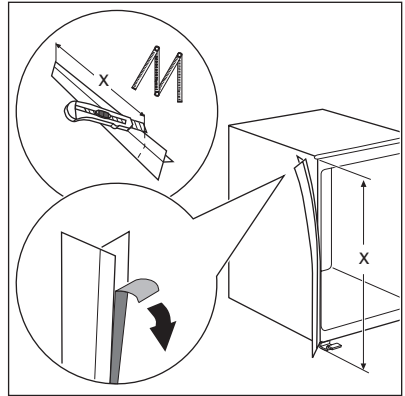


### CAUTION!

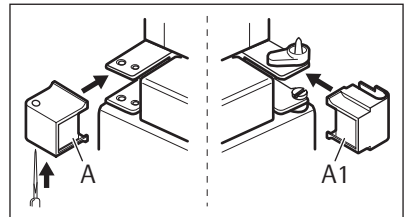
Make sure that the mains cable can move freely.

Do these steps.

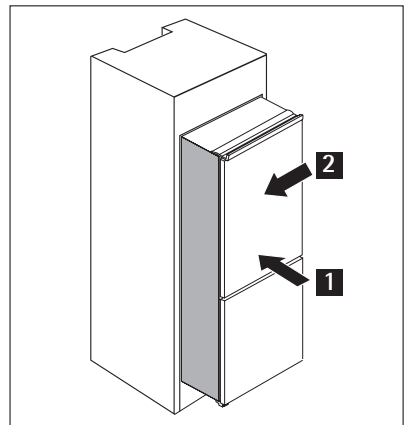
1. If necessary cut the adhesive sealing strip and then apply it to the appliance as shown in figure.



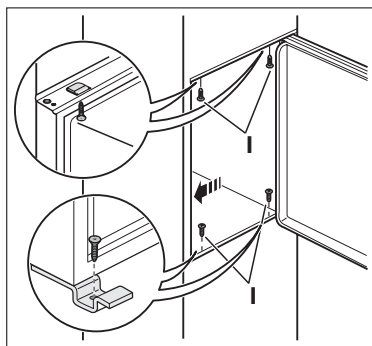
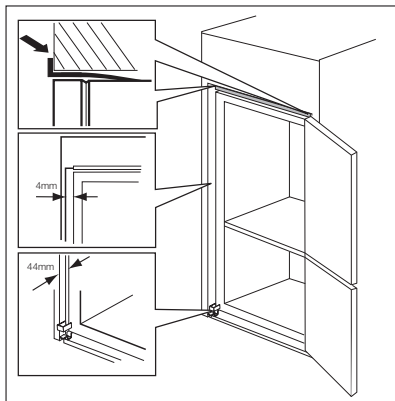
2. Drill the hinge cover A, as shown in figure.  
Apply the covers A and A1 (in the accessories bag) in to the middle hinge.



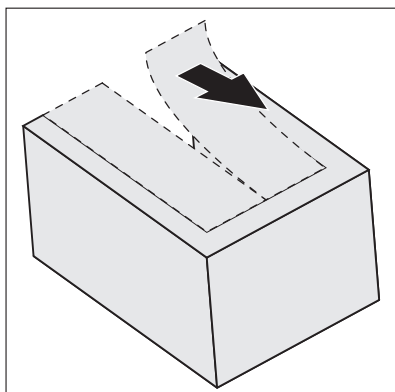
3. Install the appliance in the niche.  
Push the appliance in the direction of the arrow (1) until the upper gap cover stops against the kitchen furniture.  
Push the appliance in the direction of the arrow (2) against the cupboard on the opposite side of the hinge.



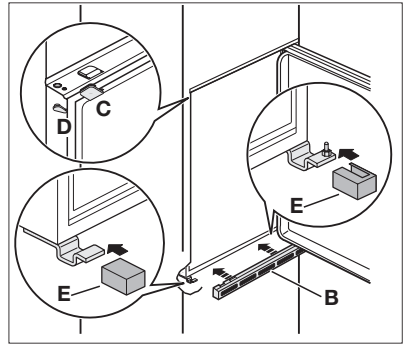
4. Adjust the appliance in the niche.  
Make sure that the distance between the appliance and the cupboard front-edge is 44 mm.  
The lower hinge cover (in the accessories bag) makes sure that the distance between the appliance and the kitchen furniture is correct.  
Make sure that the clearance between the appliance and the cupboard is 4 mm.  
Open the door. Put the lower hinge cover in position.
5. Attach the appliance to the niche with 4 screws.



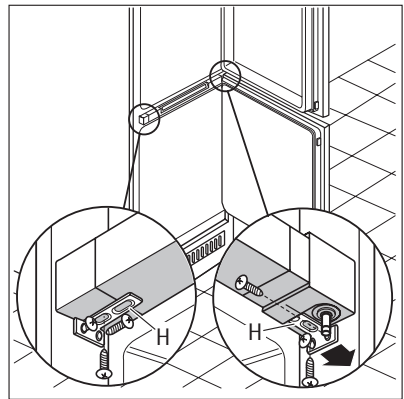
6. Remove the correct part from the hinge cover (E). Make sure to remove the part DX, in the case of right hinge, SX in opposite case.



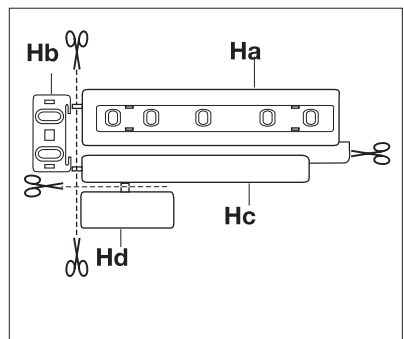
7. Attach the covers (C, D) to the lugs and the hinge holes.  
 Install the vent grille (B).  
 Attach the hinge covers (E) to the hinge.



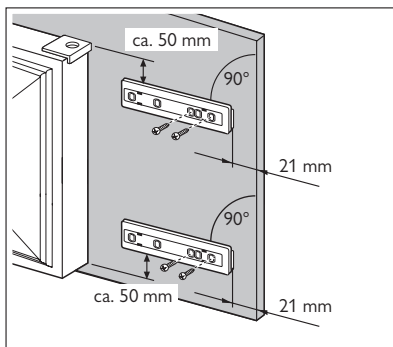
8. If the appliance must connect laterally to the kitchen furniture door:
  - a) Slacken the screws in fixing brackets (H).
  - b) Move the brackets (H).
  - c) Retighten the screws.



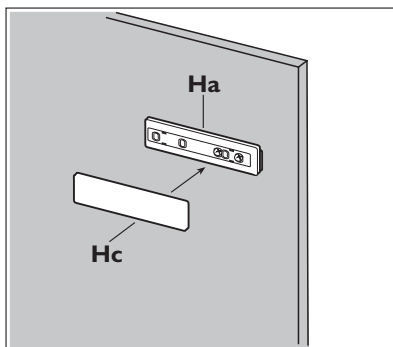
9. Disconnect the parts (Ha), (Hb), (Hc) and (Hd)



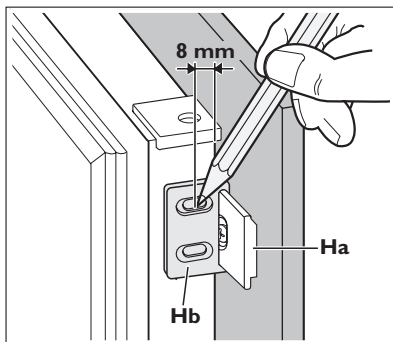
10. Install the part (Ha) on the inner side of the kitchen furniture.



11. Push the part (Hc) on the part (Ha).

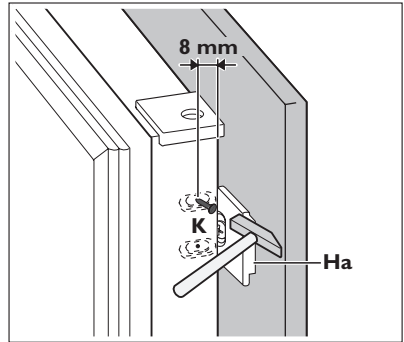


12. Open the appliance door and the kitchen furniture door at an angle of 90°. Insert the small square (Hb) into guide (Ha). Put together the appliance door and the furniture door and mark the holes.

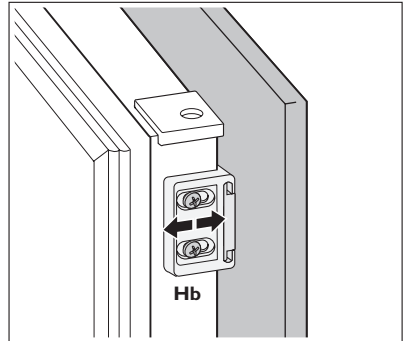




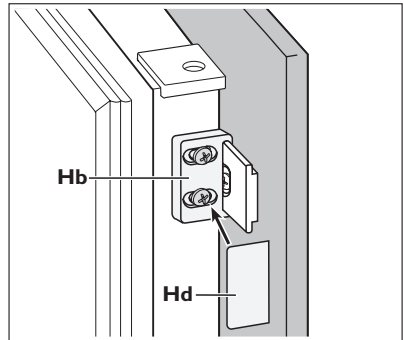
13. Remove the brackets and mark a distance of 8 mm from the outer edge of the door where the nail must be fitted (K).



14. Place the small square on the guide again and fix it with the screws supplied.  
Align the kitchen furniture door and the appliance door by adjusting the part Hb.

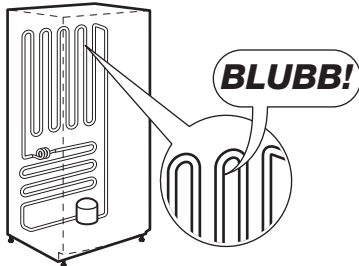
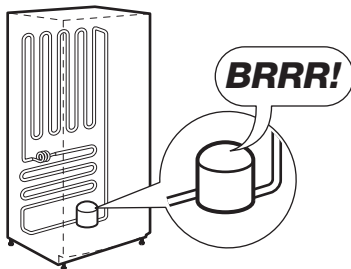
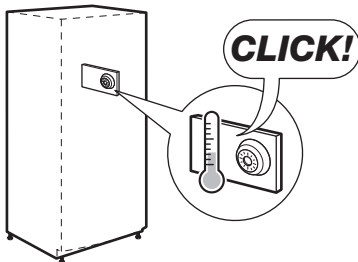
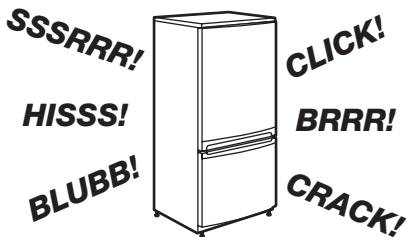
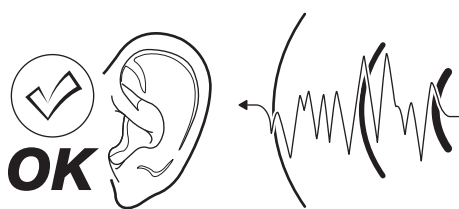


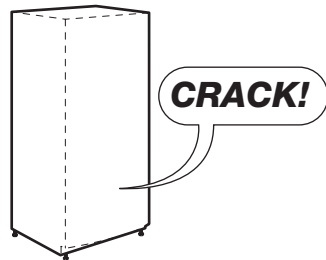
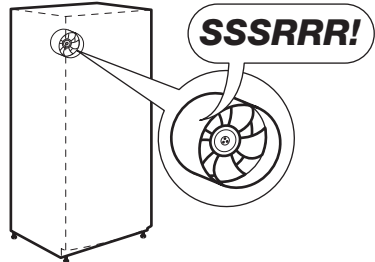
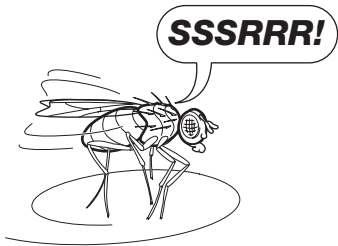
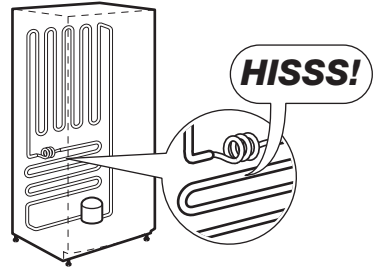
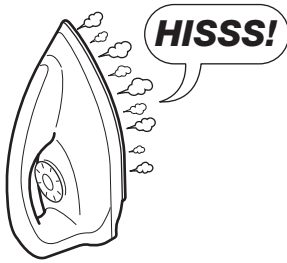
15. Press the part (Hd) on the part (Hb).  
Do a final check to make sure that:
- All screws are tightened.
  - The sealing strip is attached tightly to the cabinet.
  - The door opens and closes correctly.




## NOISES

There are some sounds during normal running (compressor, refrigerant circulation).





## ENVIRONMENTAL CONCERNS

The symbol  on the product or on its packaging indicates that this product may not be treated as household waste. Instead it should be taken to the appropriate collection point for the recycling of electrical and electronic equipment. By ensuring this product is disposed of correctly, you will help prevent potential negative consequences for the environment and human health, which could otherwise be caused by inappropriate waste handling of this product. For more detailed information about recycling of this product, please contact your local council, your household waste disposal service or the shop where you purchased the product.



## Free Manuals Download Website

<http://myh66.com>

<http://usermanuals.us>

<http://www.somanuals.com>

<http://www.4manuals.cc>

<http://www.manual-lib.com>

<http://www.404manual.com>

<http://www.luxmanual.com>

<http://aubethermostatmanual.com>

Golf course search by state

<http://golfingnear.com>

Email search by domain

<http://emailbydomain.com>

Auto manuals search

<http://auto.somanuals.com>

TV manuals search

<http://tv.somanuals.com>